

CDx4AC257, CDx4ACT257, CD74ACT258 具有三态输出的四路双输入多路复用器

1 特性

- ' AC257、' ACT257..... 同相输出
- CD74ACT258 反相输出
- 缓冲输入
- 典型传播延迟
 - 4.4ns ($V_{CC} = 5V$ 、 $T_A = 25^\circ C$ 且 $C_L = 50pF$ 时)
- ESD 保护超过 2kV (根据 MIL-STD-883 方法 3015)
- 防 SCR 闩锁 CMOS 工艺和电路设计
- 具有双极 FAST™/AS/S 的速度，同时功耗显著降低
- 平衡传播延迟
- 交流类型的工作电压范围为 1.5V 至 5.5V，并在电源电压的 30% 时具有平衡的抗噪性能
- $\pm 24mA$ 输出驱动电流
 - 扇出到 15 个 FAST™ IC
- 驱动 50 Ω 传输线

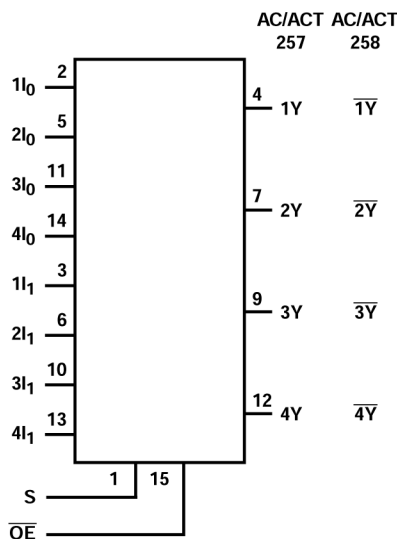
2 说明

' AC257、' ACT257 和 CD74ACT258 是采用高级 CMOS 逻辑技术、具有三态输出的四路双输入多路复用器。

器件信息

器件型号	封装 ⁽¹⁾	封装尺寸 ⁽²⁾	本体尺寸 ⁽³⁾
CDx4AC257, CDx4ACT257, CD74ACT258	D (SOIC , 16)	9.9mm × 6mm	9.9mm × 3.9mm
	N (PDIP , 16)	19.3mm × 9.4mm	19.3mm × 6.35mm

- (1) 有关更多信息，请参阅节 10。
- (2) 封装尺寸 (长 × 宽) 为标称值，并包括引脚 (如适用)。
- (3) 本体尺寸 (长 × 宽) 为标称值，不包括引脚。



功能图

Table of Contents

1 特性	1	7 Application and Implementation	11
2 说明	1	7.1 Power Supply Recommendations.....	11
3 Pin Configuration and Functions	3	7.2 Layout.....	11
4 Specifications	4	8 Device and Documentation Support	12
4.1 Absolute Maximum Ratings.....	4	8.1 Documentation Support (Analog).....	12
4.2 Recommended Operating Conditions.....	4	8.2 接收文档更新通知.....	12
4.3 Thermal Information.....	4	8.3 支持资源.....	12
4.4 Electrical Characteristics.....	4	8.4 Trademarks.....	12
4.5 Switching Specifications.....	6	8.5 静电放电警告.....	12
5 Parameter Measurement Information	8	8.6 术语表.....	12
6 Detailed Description	10	9 Revision History	12
6.1 Overview.....	10	10 Mechanical, Packaging, and Orderable Information	12
6.2 Functional Block Diagram.....	10		
6.3 Device Functional Modes.....	10		

3 Pin Configuration and Functions

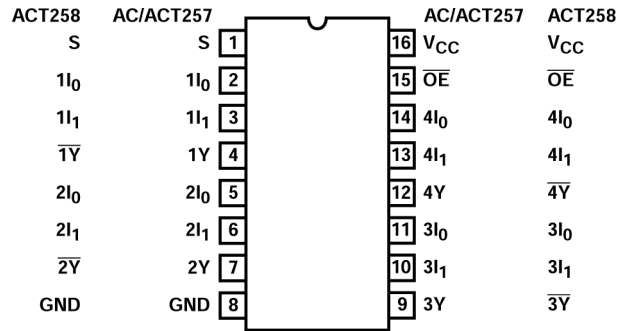


图 3-1. CD54AC257, CD54ACT257 J Package; CD74AC257, CD74ACT257, CD74ACT258 N or D Package; 16-Pin CDIP, PDIP or SOIC (Top View)

表 3-1. Pin Functions

PIN		TYPE ⁽¹⁾	DESCRIPTION
NAME	NO.		
S	1	I	Select
1I ₀	2	I	Channel 1 Input 0
1I ₁	3	I	Channel 1 Input 1
1Y	4	O	Channel 1 Output
2I ₀	5	I	Channel 2 Input 0
2I ₁	6	I	Channel 2 Input 1
2Y	7	O	Channel 2 Output
GND	8	G	Ground
3Y	9	O	Channel 3 Output
3I ₁	10	I	Channel 3 Input 1
3I ₀	11	I	Channel 3 Input 0
4Y	12	O	Channel 4 Output
4I ₁	13	I	Channel 4 Input 1
4I ₀	14	I	Channel 4 Input 0
\overline{OE}	15	I	Output Enable
V _{CC}	16	P	Positive Supply

(1) I = Input, O = Output, I/O = Input or Output, G = Ground, P = Power.

4 Specifications

4.1 Absolute Maximum Ratings

over operating free-air temperature range (unless otherwise noted)⁽¹⁾

		MIN	MAX	UNIT
V _{CC}	Supply voltage	-0.5	6	V
I _{IK}	Input diode current	V _I < -0.5V or V _I > V _{CC} + 0.5V		±20 mA
I _{OK}	Output diode current	V _O < -0.5V or V _O > V _{CC} + 0.5V		±50 mA
I _O	Output source or sink current per output pin	V _O > -0.5V or V _O < V _{CC} + 0.5V		±50 mA
I _{CC} or I _{GND} ⁽²⁾	V _{CC} or ground current			±100 mA
T _{stg}	Maximum storage temperature	-65	150	°C

- (1) Stresses above those listed in “Absolute Maximum Ratings” may cause permanent damage to the device. This is a stress only rating and operation of the device at these or any other conditions above those indicated in the operational sections of this specification is not implied.
- (2) For up to 4 outputs per device, add ±25mA for each additional output.

4.2 Recommended Operating Conditions

over operating free-air temperature range (unless otherwise noted)

		MIN	MAX	UNIT
T _A	Temperature Range	-55	125	°C
V _{CC} ⁽¹⁾	Supply Voltage Range			
	AC Types	1.5	5.5	V
	ACT Types	4.5	5.5	V
V _I , V _O	DC Input or Output Voltage	0	V _{CC}	V
dt/dv	Input Rise and Fall Slew Rate			
1.5V to 3V	AC Types		50	ns
3.6V to 5.5V	AC Types		20	ns
4.5V to 5.5V	ACT Types		10	ns

- (1) Unless otherwise specified, all voltages are referenced to ground.

4.3 Thermal Information

THERMAL METRIC ⁽¹⁾		D	UNIT
		16 PINS	
R _{θJA}	Junction-to-ambient thermal resistance	119.9	°C/W

- (1) θ_{JA} is measured with the component mounted on an evaluation PC board in free air.

4.4 Electrical Characteristics

PARAMETER	SYMBOL	TEST CONDITIONS		V _{CC} (V)	25°C		-40°C TO 85°C		-55°C TO 125°C		UNIT
		V _I (V)	I _O (mA)		MIN	MAX	MIN	MAX	MIN	MAX	
AC TYPES											
High Level Input Voltage	V _{IH}	-	-	1.5	1.2	-	1.2	-	1.2	-	V
				3	2.1	-	2.1	-	2.1	-	V
				5.5	3.85	-	3.85	-	3.85	-	V
Low Level Input Voltage	V _{IL}	-	-	1.5	-	0.3	-	0.3	-	0.3	V
				3	-	0.9	-	0.9	-	0.9	V
				5.5	-	1.65	-	1.65	-	1.65	V

PARAMETER	SYMBOL	TEST CONDITIONS		V _{CC} (V)	25°C		-40°C TO 85°C		-55°C TO 125°C		UNIT
		V _I (V)	I _O (mA)		MIN	MAX	MIN	MAX	MIN	MAX	
High Level Output Voltage	V _{OH}	V _{IH} or V _{IL}	-0.05	1.5	1.4	-	1.4	-	1.4	-	V
			-0.05	3	2.9	-	2.9	-	2.9	-	V
			-0.05	4.5	4.4	-	4.4	-	4.4	-	V
			-4	3	2.58	-	2.48	-	2.4	-	V
			-24	4.5	3.94	-	3.8	-	3.7	-	V
			-75 ^{(1), (2)}	5.5	-	-	3.85	-	-	-	V
			-50 ^{(1), (2)}	5.5	-	-	-	-	3.85	-	V
Low Level Output Voltage	V _{OL}	V _{IH} or V _{IL}	0.05	1.5	-	0.1	-	0.1	-	0.1	V
			0.05	3	-	0.1	-	0.1	-	0.1	V
			0.05	4.5	-	0.1	-	0.1	-	0.1	V
			12	3	-	0.36	-	0.44	-	0.5	V
			24	4.5	-	0.36	-	0.44	-	0.5	V
			75 ^{(1), (2)}	5.5	-	-	-	1.65	-	-	V
			50 ^{(1), (2)}	5.5	-	-	-	-	-	1.65	V
Input Leakage Current	I _I	V _{CC} or GND	-	5.5	-	±0.1	-	±1	-	±1	μA
Three-State Leakage Current	I _{OZ}	V _{IH} or V _{IL} V _O = V _{CC} or GND	-	5.5	-	±0.5	-	±5	-	±10	μA
Quiescent Supply Current MSI	I _{CC}	V _{CC} or GND	0	5.5	-	8	-	80	-	160	μA
ACT TYPES											
High Level Input Voltage	V _{IH}	-	-	4.5 to 5.5	2	-	2	-	2	-	V
Low Level Input Voltage	V _{IL}	-	-	4.5 to 5.5	-	0.8	-	0.8	-	0.8	V
High Level Output Voltage	V _{OH}	V _{IH} or V _{IL}	-0.05	4.5	4.4	-	4.4	-	4.4	-	V
			-24	4.5	3.94	-	3.8	-	3.7	-	V
			-75 ^{(1), (2)}	5.5	-	-	3.85	-	-	-	V
			-50 ^{(1), (2)}	5.5	-	-	-	-	3.85	-	V
Low Level Output Voltage	V _{OL}	V _{IH} or V _{IL}	0.05	4.5	-	0.1	-	0.1	-	0.1	V
			24	4.5	-	0.36	-	0.44	-	0.5	V
			75 ^{(1), (2)}	5.5	-	-	-	1.65	-	-	V
			50 ^{(1), (2)}	5.5	-	-	-	-	-	1.65	V
Input Leakage Current	I _I	V _{CC} or GND	-	5.5	-	±0.1	-	±1	-	±1	μA
Three-State or Leakage Current	I _{OZ}	V _{IH} or V _{IL} V _O = V _{CC} or GND	-	5.5	-	±0.5	-	±5	-	±10	μA
Quiescent Supply Current MSI	I _{CC}	V _{CC} or GND	0	5.5	-	8	-	80	-	160	μA
Additional Supply Current per Input Pin TTL Inputs High 1 Unit Load	Δ I _{CC}	V _{CC} -2.1	-	4.5 to 5.5	-	2.4	-	2.8	-	3	mA

- (1) Test one output at a time for a 1-second maximum duration. Measurement is made by forcing current and measuring voltage to minimize power dissipation.
- (2) Test verifies a minimum 50 Ω transmission-line-drive capability at 85°C, 75 Ω at 125°C.

**表 4-1. ACT Input Load
Table**

INPUT	UNIT LOAD
Data	0.83
S	1.27
\overline{OE}	1.27

备注

Unit load is ΔI_{CC} limit specified in DC Electrical Specifications Table, e.g., 2.4mA max at 25°C.

4.5 Switching Specifications

Input t_r , $t_f = 3ns$, $C_L = 50pF$ (Worst Case)

PARAMETER	SYMBOL	V_{CC} (V)	-40°C TO 85°C			-55°C TO 125°C			UNITS
			MIN	TYP	MAX	MIN	TYP	MAX	
AC TYPES									
Propagation Delay, In to Y AC/ ACT257	t_{PLH} , t_{PHL}	1.5	-	-	106	-	-	117	ns
		3.3 ⁽¹⁾	3.3	-	11.8	3.3	-	13	ns
		5 ⁽²⁾	2.4	-	8.5	2.3	-	9.3	ns
Propagation Delay, S to Y AC/ ACT257	t_{PLH} , t_{PHL}	1.5	-	-	153	-	-	168	ns
		3.3	4.8	-	17.1	4.7	-	18.8	ns
		5	3.5	-	12.2	3.4	-	13.4	ns
Propagation Delay, \overline{OE} to Y AC/ ACT257	t_{PLZ} , t_{PHZ} , t_{PZL} , t_{PZH}	1.5	-	-	167	-	-	184	ns
		3.3	5.3	-	18.7	5.2	-	20.6	ns
		5	3.8	-	13.4	3.7	-	14.7	ns
Propagation Delay, In to \overline{Y} ' AC/ CD74ACT258	t_{PLH} , t_{PHL}	1.5	-	-	91	-	-	100	ns
		3.3	2.9	-	10.2	2.8	-	11.2	ns
		5	2.1	-	7.3	2	-	8	ns
Propagation Delay, S to \overline{Y} ' AC/ CD74ACT258	t_{PLH} , t_{PHL}	1.5	-	-	153	-	-	168	ns
		3.3	4.8	-	17.1	4.7	-	18.8	ns
		5	3.5	-	12.2	3.4	-	13.4	ns
Propagation Delay, \overline{OE} to \overline{Y} ' AC/ CD74ACT258	t_{PLZ} , t_{PHZ} , t_{PZL} , t_{PZH}	1.5	-	-	167	-	-	184	ns
		3.3	5.3	-	18.7	5.2	-	20.6	ns
		5	3.8	-	13.4	3.7	-	14.7	ns
Three-State Output Capacitance	C_O	-	-	-	15	-	-	15	pF
Input Capacitance	C_I	-	-	-	10	-	-	10	pF
Power Dissipation Capacitance	C_{PD} ⁽³⁾	-	-	130	-	-	130	-	pF
ACT TYPES									
Propagation Delay, In to Y AC/ ACT257	t_{PLH} , t_{PHL}	5 ⁽²⁾	2.8	-	9.7	2.7	-	10.7	ns
Propagation Delay, S to Y AC/ ACT257	t_{PLH} , t_{PHL}	5	4	-	14	3.9	-	15.4	ns
Propagation Delay, \overline{OE} to Y AC/ ACT257	t_{PLZ} , t_{PHZ} , t_{PZL} , t_{PZH}	5	4.1	-	14.6	4	-	16.1	ns
Propagation Delay, In to \overline{Y} ' AC/ CD74ACT258	t_{PLH} , t_{PHL}	5	2.4	-	8.5	2.3	-	9.3	ns
Propagation Delay, S to \overline{Y} ' AC/ CD74ACT258	t_{PLH} , t_{PHL}	5	4	-	14	3.9	-	15.4	ns

Input t_r , $t_f = 3\text{ns}$, $C_L = 50\text{pF}$ (Worst Case)

PARAMETER	SYMBOL	V_{CC} (V)	-40°C TO 85°C			-55°C TO 125°C			UNITS
			MIN	TYP	MAX	MIN	TYP	MAX	
Propagation Delay, \overline{OE} to \overline{Y} ' AC/CD74ACT258	t_{PLZ} , t_{PHZ} , t_{PZL} , t_{PZH}	5	4.1	-	14.6	4	-	16.1	ns
Three-State Output Capacitance	C_O	-	-	-	15	-	-	15	pF
Input Capacitance	C_I	-	-	-	10	-	-	10	pF
Power Dissipation Capacitance	C_{PD} ⁽³⁾	-	-	130	-	-	130	-	pF

- (1) 3.3V Min is at 3.6V, Max is at 3V.
 (2) 5V Min is at 5.5V, Max is at 4.5V.
 (3) C_{PD} is used to determine the dynamic power consumption per multiplexer.

备注

$$\text{AC: } P_D = C_{PD} V_{CC}^2 f_i + \sum (C_L V_{CC}^2 f_o)$$

$$\text{ACT: } P_D = C_{PD} V_{CC}^2 f_i + \sum (C_L V_{CC}^2 f_o) + V_{CC} \Delta I_{CC} \text{ where } f_i = \text{input frequency, } f_o = \text{output frequency, } C_L = \text{output load capacitance, } V_{CC} = \text{supply voltage.}$$

5 Parameter Measurement Information

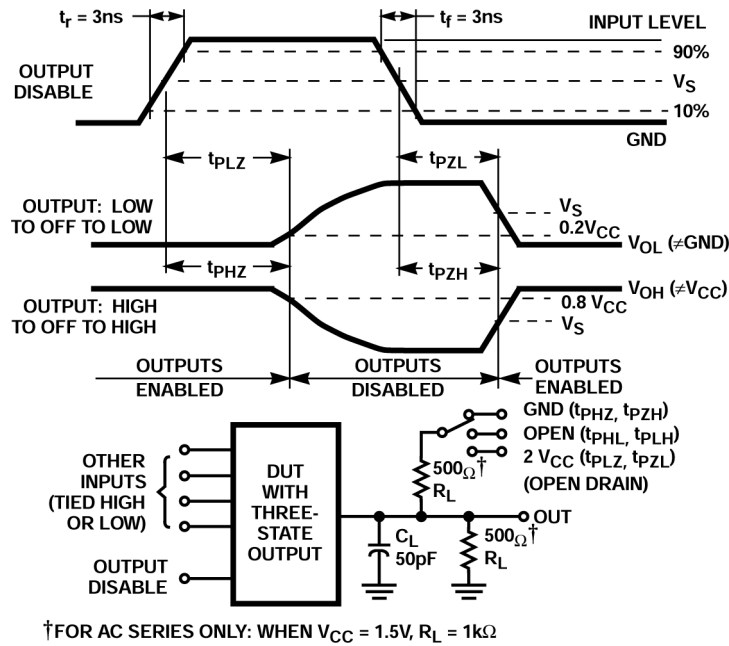


图 5-1. Three-State Propagation Delay Times and Test Circuit

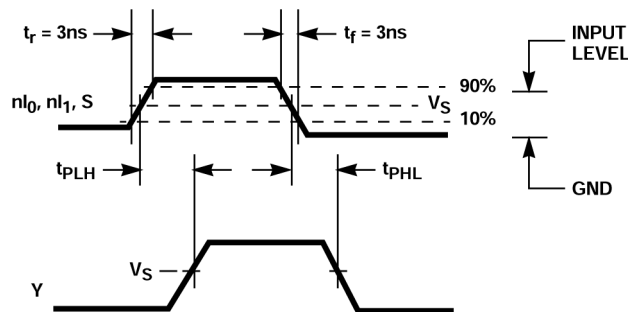


图 5-2. inputs or select to output propagation delays (ac/act257)

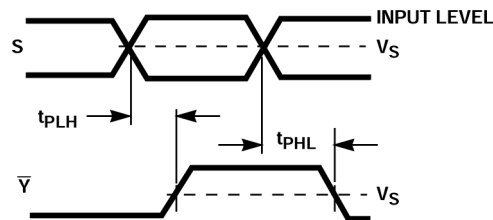


图 5-3. Select to Output Propagation Delays (CD74ACT258)

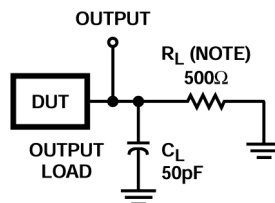


图 5-4.

For AC Series Only: When $V_{CC} = 1.5V$, $R_L = 1k\Omega$.

TEST	S1
t_{PLH}/t_{PHL}	Open
t_{PLZ}/t_{PZL}	$2 \times V_{CC}$
t_{PHZ}/t_{PZH}	GND

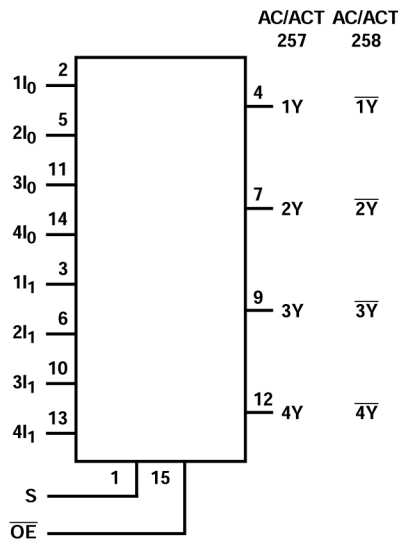
6 Detailed Description

6.1 Overview

Each of these devices selects four bits of data from two sources under the control of a common Select input (S). The Output Enable (\overline{OE}) is active LOW. When \overline{OE} is HIGH, all of the outputs (Y or \overline{Y}) are in the high-impedance state regardless of all other input conditions.

Moving data from two groups of registers to four common output buses is a common use of the ' AC257, ' ACT257, and CD74ACT258. The state of the Select input determines the particular register from which the data comes. The ' AC257, ' ACT257 and CD74ACT258 can also be used as function generators.

6.2 Functional Block Diagram



6.3 Device Functional Modes

表 6-1. Truth Table

OUTPUT ENABLE	SELECT INPUT	DATA INPUTS		257 OUTPUTS	258 OUTPUTS
\overline{OE}	S	I_0	I_1	Y	\overline{Y}
H	X	X	X	Z	Z
L	L	L	X	L	H
L	L	H	X	H	L
L	H	X	L	L	H
L	H	X	H	H	L

7 Application and Implementation

备注

以下应用部分中的信息不属于 TI 元件规格，TI 不担保其准确性和完整性。TI 的客户负责确定元件是否适合其用途，以及验证和测试其设计实现以确认系统功能。

7.1 Power Supply Recommendations

The power supply can be any voltage between the minimum and maximum supply voltage rating located in the *Recommended Operating Conditions*. Each V_{CC} terminal should have a good bypass capacitor to prevent power disturbance. A $0.1\ \mu\text{F}$ capacitor is recommended for this device. It is acceptable to parallel multiple bypass capacitors to reject different frequencies of noise. The $0.1\ \mu\text{F}$ and $1\ \mu\text{F}$ capacitors are commonly used in parallel. The bypass capacitor should be installed as close to the power terminal as possible for best results.

7.2 Layout

7.2.1 Layout Guidelines

When using multiple-input and multiple-channel logic devices, inputs must never be left floating. In many cases, functions or parts of functions of digital logic devices are unused; for example, when only two inputs of a triple-input AND gate are used or only 3 of the 4 buffer gates are used. Such unused input pins must not be left unconnected because the undefined voltages at the outside connections result in undefined operational states. All unused inputs of digital logic devices must be connected to a logic high or logic low voltage, as defined by the input voltage specifications, to prevent them from floating. The logic level that must be applied to any particular unused input depends on the function of the device. Generally, the inputs are tied to GND or V_{CC} , whichever makes more sense for the logic function or is more convenient.

8 Device and Documentation Support

8.1 Documentation Support (Analog)

8.1.1 Related Documentation

PARTS	PRODUCT FOLDER	SAMPLE & BUY	TECHNICAL DOCUMENTS	TOOLS & SOFTWARE	SUPPORT & COMMUNITY
CD54AC257	Click here	Click here	Click here	Click here	Click here
CD54ACT257	Click here	Click here	Click here	Click here	Click here
CD74AC257	Click here	Click here	Click here	Click here	Click here
CD74ACT257	Click here	Click here	Click here	Click here	Click here
CD74ACT258	Click here	Click here	Click here	Click here	Click here

8.2 接收文档更新通知

要接收文档更新通知，请导航至 ti.com 上的器件产品文件夹。点击 [通知](#) 进行注册，即可每周接收产品信息更改摘要。有关更改的详细信息，请查看任何已修订文档中包含的修订历史记录。

8.3 支持资源

TI E2E™ [中文支持论坛](#) 是工程师的重要参考资料，可直接从专家处获得快速、经过验证的解答和设计帮助。搜索现有解答或提出自己的问题，获得所需的快速设计帮助。

链接的内容由各个贡献者“按原样”提供。这些内容并不构成 TI 技术规范，并且不一定反映 TI 的观点；请参阅 TI 的 [使用条款](#)。

8.4 Trademarks

TI E2E™ is a trademark of Texas Instruments.

所有商标均为其各自所有者的财产。

8.5 静电放电警告



静电放电 (ESD) 会损坏这个集成电路。德州仪器 (TI) 建议通过适当的预防措施处理所有集成电路。如果不遵守正确的处理和安装程序，可能会损坏集成电路。

ESD 的损坏小至导致微小的性能降级，大至整个器件故障。精密的集成电路可能更容易受到损坏，这是因为非常细微的参数更改都可能会导致器件与其发布的规格不相符。

8.6 术语表

[TI 术语表](#) 本术语表列出并解释了术语、首字母缩略词和定义。

9 Revision History

Changes from Revision A (May 2000) to Revision B (August 2024)	Page
• 添加了 封装信息表 、 引脚功能表 、 ESD 等级表 、 热性能信息表 、 器件功能模式 、“应用和实施”部分、 器件和文档支持 部分以及 机械、封装和可订购信息 部分.....	1

10 Mechanical, Packaging, and Orderable Information

The following pages include mechanical, packaging, and orderable information. This information is the most current data available for the designated devices. This data is subject to change without notice and revision of this document. For browser-based versions of this data sheet, refer to the left-hand navigation.

PACKAGING INFORMATION

Orderable Device	Status (1)	Package Type	Package Drawing	Pins	Package Qty	Eco Plan (2)	Lead finish/ Ball material (6)	MSL Peak Temp (3)	Op Temp (°C)	Device Marking (4/5)	Samples
CD54AC257F3A	ACTIVE	CDIP	J	16	25	Non-RoHS & Green	SNPB	N / A for Pkg Type	-55 to 125	CD54AC257F3A	Samples
CD54ACT257F3A	ACTIVE	CDIP	J	16	25	Non-RoHS & Green	SNPB	N / A for Pkg Type	-55 to 125	CD54ACT257F3A	Samples
CD74AC257E	ACTIVE	PDIP	N	16	25	RoHS & Green	NIPDAU	N / A for Pkg Type	-55 to 125	CD74AC257E	Samples
CD74AC257M	OBSOLETE	SOIC	D	16		TBD	Call TI	Call TI	-55 to 125	AC257M	
CD74AC257M96	ACTIVE	SOIC	D	16	2500	RoHS & Green	NIPDAU	Level-1-260C-UNLIM	-55 to 125	AC257M	Samples
CD74ACT257E	ACTIVE	PDIP	N	16	25	RoHS & Green	NIPDAU	N / A for Pkg Type	-55 to 125	CD74ACT257E	Samples
CD74ACT257EE4	ACTIVE	PDIP	N	16	25	RoHS & Green	NIPDAU	N / A for Pkg Type	-55 to 125	CD74ACT257E	Samples
CD74ACT257M	OBSOLETE	SOIC	D	16		TBD	Call TI	Call TI	-55 to 125	ACT257M	
CD74ACT257M96	ACTIVE	SOIC	D	16	2500	RoHS & Green	NIPDAU	Level-1-260C-UNLIM	-55 to 125	ACT257M	Samples
CD74ACT258M	OBSOLETE	SOIC	D	16		TBD	Call TI	Call TI	-55 to 125	ACT258M	
CD74ACT258M96	ACTIVE	SOIC	D	16	2500	RoHS & Green	NIPDAU	Level-2-260C-1 YEAR	-55 to 125	ACT258M	Samples

(1) The marketing status values are defined as follows:

ACTIVE: Product device recommended for new designs.

LIFEBUY: TI has announced that the device will be discontinued, and a lifetime-buy period is in effect.

NRND: Not recommended for new designs. Device is in production to support existing customers, but TI does not recommend using this part in a new design.

PREVIEW: Device has been announced but is not in production. Samples may or may not be available.

OBSOLETE: TI has discontinued the production of the device.

(2) **RoHS:** TI defines "RoHS" to mean semiconductor products that are compliant with the current EU RoHS requirements for all 10 RoHS substances, including the requirement that RoHS substance do not exceed 0.1% by weight in homogeneous materials. Where designed to be soldered at high temperatures, "RoHS" products are suitable for use in specified lead-free processes. TI may reference these types of products as "Pb-Free".

RoHS Exempt: TI defines "RoHS Exempt" to mean products that contain lead but are compliant with EU RoHS pursuant to a specific EU RoHS exemption.

Green: TI defines "Green" to mean the content of Chlorine (Cl) and Bromine (Br) based flame retardants meet JS709B low halogen requirements of <=1000ppm threshold. Antimony trioxide based flame retardants must also meet the <=1000ppm threshold requirement.

(3) MSL, Peak Temp. - The Moisture Sensitivity Level rating according to the JEDEC industry standard classifications, and peak solder temperature.

- (4) There may be additional marking, which relates to the logo, the lot trace code information, or the environmental category on the device.
- (5) Multiple Device Markings will be inside parentheses. Only one Device Marking contained in parentheses and separated by a "~" will appear on a device. If a line is indented then it is a continuation of the previous line and the two combined represent the entire Device Marking for that device.
- (6) Lead finish/Ball material - Orderable Devices may have multiple material finish options. Finish options are separated by a vertical ruled line. Lead finish/Ball material values may wrap to two lines if the finish value exceeds the maximum column width.

Important Information and Disclaimer:The information provided on this page represents TI's knowledge and belief as of the date that it is provided. TI bases its knowledge and belief on information provided by third parties, and makes no representation or warranty as to the accuracy of such information. Efforts are underway to better integrate information from third parties. TI has taken and continues to take reasonable steps to provide representative and accurate information but may not have conducted destructive testing or chemical analysis on incoming materials and chemicals. TI and TI suppliers consider certain information to be proprietary, and thus CAS numbers and other limited information may not be available for release.

In no event shall TI's liability arising out of such information exceed the total purchase price of the TI part(s) at issue in this document sold by TI to Customer on an annual basis.

OTHER QUALIFIED VERSIONS OF CD54AC257, CD54ACT257, CD74AC257, CD74ACT257 :

- Catalog : [CD74AC257](#), [CD74ACT257](#)
- Military : [CD54AC257](#), [CD54ACT257](#)

NOTE: Qualified Version Definitions:

- Catalog - TI's standard catalog product
- Military - QML certified for Military and Defense Applications

TAPE AND REEL INFORMATION

QUADRANT ASSIGNMENTS FOR PIN 1 ORIENTATION IN TAPE


*All dimensions are nominal

Device	Package Type	Package Drawing	Pins	SPQ	Reel Diameter (mm)	Reel Width W1 (mm)	A0 (mm)	B0 (mm)	K0 (mm)	P1 (mm)	W (mm)	Pin1 Quadrant
CD74AC257M96	SOIC	D	16	2500	330.0	16.4	6.5	10.3	2.1	8.0	16.0	Q1
CD74ACT257M96	SOIC	D	16	2500	330.0	16.4	6.5	10.3	2.1	8.0	16.0	Q1
CD74ACT257M96	SOIC	D	16	2500	330.0	16.4	6.5	10.3	2.1	8.0	16.0	Q1
CD74ACT258M96	SOIC	D	16	2500	330.0	16.4	6.5	10.3	2.1	8.0	16.0	Q1

TAPE AND REEL BOX DIMENSIONS



*All dimensions are nominal

Device	Package Type	Package Drawing	Pins	SPQ	Length (mm)	Width (mm)	Height (mm)
CD74AC257M96	SOIC	D	16	2500	353.0	353.0	32.0
CD74ACT257M96	SOIC	D	16	2500	353.0	353.0	32.0
CD74ACT257M96	SOIC	D	16	2500	356.0	356.0	35.0
CD74ACT258M96	SOIC	D	16	2500	340.5	336.1	32.0

TUBE


*All dimensions are nominal

Device	Package Name	Package Type	Pins	SPQ	L (mm)	W (mm)	T (μm)	B (mm)
CD74AC257E	N	PDIP	16	25	506	13.97	11230	4.32
CD74AC257E	N	PDIP	16	25	506	13.97	11230	4.32
CD74ACT257E	N	PDIP	16	25	506	13.97	11230	4.32
CD74ACT257E	N	PDIP	16	25	506	13.97	11230	4.32
CD74ACT257EE4	N	PDIP	16	25	506	13.97	11230	4.32
CD74ACT257EE4	N	PDIP	16	25	506	13.97	11230	4.32

J (R-GDIP-T**)

14 LEADS SHOWN

CERAMIC DUAL IN-LINE PACKAGE



DIM \ PINS **	14	16	18	20
A	0.300 (7,62) BSC	0.300 (7,62) BSC	0.300 (7,62) BSC	0.300 (7,62) BSC
B MAX	0.785 (19,94)	.840 (21,34)	0.960 (24,38)	1.060 (26,92)
B MIN	—	—	—	—
C MAX	0.300 (7,62)	0.300 (7,62)	0.310 (7,87)	0.300 (7,62)
C MIN	0.245 (6,22)	0.245 (6,22)	0.220 (5,59)	0.245 (6,22)



4040083/F 03/03

- NOTES:
- All linear dimensions are in inches (millimeters).
 - This drawing is subject to change without notice.
 - This package is hermetically sealed with a ceramic lid using glass frit.
 - Index point is provided on cap for terminal identification only on press ceramic glass frit seal only.
 - Falls within MIL STD 1835 GDIP1-T14, GDIP1-T16, GDIP1-T18 and GDIP1-T20.

N (R-PDIP-T**)

PLASTIC DUAL-IN-LINE PACKAGE

16 PINS SHOWN



- NOTES:
- A. All linear dimensions are in inches (millimeters).
 - B. This drawing is subject to change without notice.
 - C Falls within JEDEC MS-001, except 18 and 20 pin minimum body length (Dim A).
 - D The 20 pin end lead shoulder width is a vendor option, either half or full width.

4040049/E 12/2002

D (R-PDSO-G16)

PLASTIC SMALL OUTLINE



4040047-6/M 06/11

- NOTES:
- A. All linear dimensions are in inches (millimeters).
 - B. This drawing is subject to change without notice.
 -  C. Body length does not include mold flash, protrusions, or gate burrs. Mold flash, protrusions, or gate burrs shall not exceed 0.006 (0,15) each side.
 -  D. Body width does not include interlead flash. Interlead flash shall not exceed 0.017 (0,43) each side.
 - E. Reference JEDEC MS-012 variation AC.

重要声明和免责声明

TI“按原样”提供技术和可靠性数据（包括数据表）、设计资源（包括参考设计）、应用或其他设计建议、网络工具、安全信息和其他资源，不保证没有瑕疵且不做任何明示或暗示的担保，包括但不限于对适销性、某特定用途方面的适用性或不侵犯任何第三方知识产权的暗示担保。

这些资源可供使用 TI 产品进行设计的熟练开发人员使用。您将自行承担以下全部责任：(1) 针对您的应用选择合适的 TI 产品，(2) 设计、验证并测试您的应用，(3) 确保您的应用满足相应标准以及任何其他功能安全、信息安全、监管或其他要求。

这些资源如有变更，恕不另行通知。TI 授权您仅可将这些资源用于研发本资源所述的 TI 产品的应用。严禁对这些资源进行其他复制或展示。您无权使用任何其他 TI 知识产权或任何第三方知识产权。您应全额赔偿因在这些资源的使用中对 TI 及其代表造成的任何索赔、损害、成本、损失和债务，TI 对此概不负责。

TI 提供的产品受 [TI 的销售条款](#) 或 [ti.com](#) 上其他适用条款/TI 产品随附的其他适用条款的约束。TI 提供这些资源并不会扩展或以其他方式更改 TI 针对 TI 产品发布的适用的担保或担保免责声明。

TI 反对并拒绝您可能提出的任何其他或不同的条款。

邮寄地址：Texas Instruments, Post Office Box 655303, Dallas, Texas 75265

Copyright © 2024，德州仪器 (TI) 公司