

LM1877 Dual Audio Power Amplifier

 Check for Samples: [LM1877](#)

FEATURES

- 2W/Channel
- –65 dB Ripple Rejection, Output Referred
- –65 dB Channel Separation, Output Referred
- Wide Supply Range, 6V–24V
- Very Low Cross-Over Distortion
- Low Audio Band Noise
- AC Short Circuit Protected
- Internal Thermal Shutdown

DESCRIPTION

The LM1877 is a monolithic dual power amplifier designed to deliver 2W/channel continuous into 8Ω loads. The LM1877 is designed to operate with a low number of external components, and still provide flexibility for use in stereo phonographs, tape recorders and AM-FM stereo receivers. Each power amplifier is biased from a common internal regulator to provide high power supply rejection, and output Q point centering. The LM1877 is internally compensated for all gains greater than 10.

APPLICATIONS

- Multi-Channel Audio Systems
- Stereo Phonographs
- Tape Recorders and Players
- AM-FM Radio Receivers
- Servo Amplifiers
- Intercom Systems
- Automotive Products

Connection Diagram

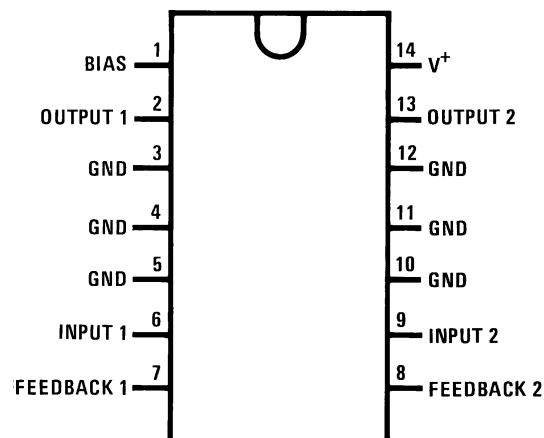


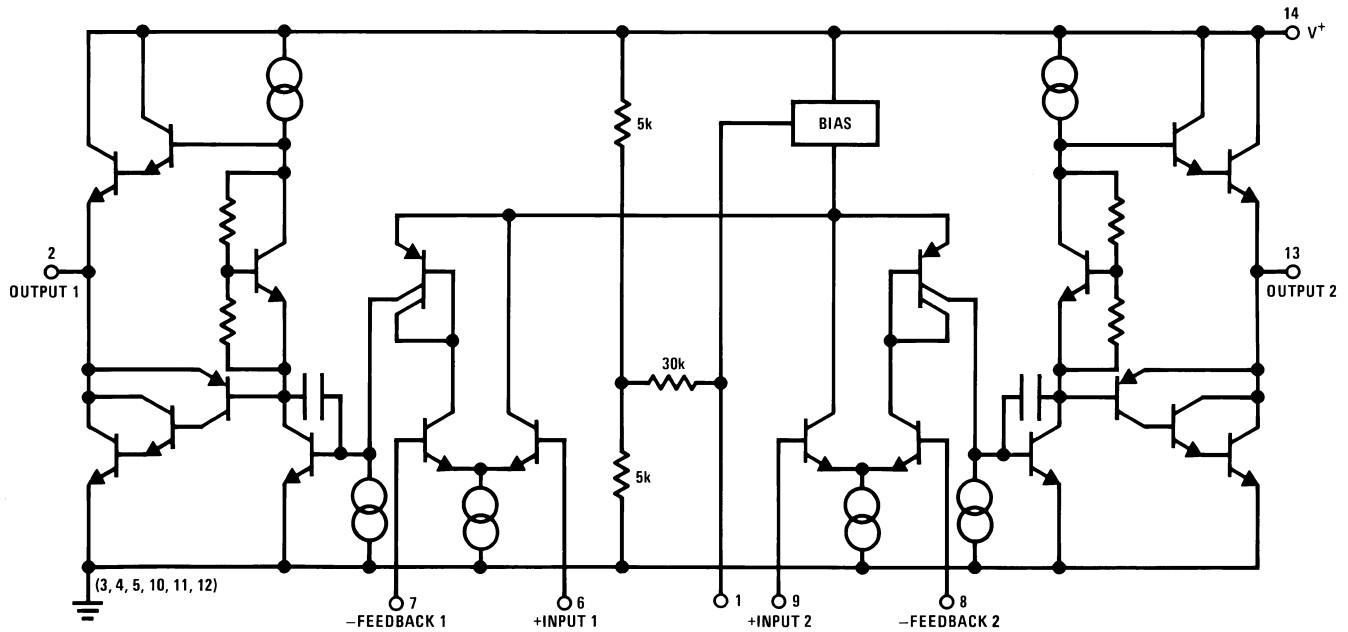
Figure 1. 14-Pin SOIC or PDIP (Top View)
See NPA0014B or NFF0014A Package



Please be aware that an important notice concerning availability, standard warranty, and use in critical applications of Texas Instruments semiconductor products and disclaimers thereto appears at the end of this data sheet.

All trademarks are the property of their respective owners.

Equivalent Schematic Diagram



These devices have limited built-in ESD protection. The leads should be shorted together or the device placed in conductive foam during storage or handling to prevent electrostatic damage to the MOS gates.

Absolute Maximum Ratings⁽¹⁾⁽²⁾

Supply Voltage		26V
Input Voltage		±0.7V
Operating Temperature		0°C to +70°C
Storage Temperature		-65°C to +150°C
Junction Temperature		150°C
Lead Temperature	PDIP Package Soldering (10 sec.)	260°C
	SOIC Package Infrared (15 sec.)	220°C
	SOIC Package Vapor Phase (60 sec.)	215°C
Thermal Resistance	θ_{JC} (PDIP Package)	30°C/W
	θ_{JA} (PDIP Package)	79°C/W
	θ_{JC} (SOIC Package)	27°C/W
	θ_{JA} (SOIC Package)	114°C/W

- (1) Absolute Maximum Ratings indicate limits beyond which damage to the device may occur. Operating Ratings indicate conditions for which the device is functional, but do not ensure specific performance limits.
- (2) If Military/Aerospace specified devices are required, please contact the Texas Instruments Sales Office/Distributors for availability and specifications.

Electrical Characteristics

 $V_S = 20V$, $T_A = 25^\circ C^{(1)}$, $R_L = 8\Omega$, $A_V = 50$ (34 dB) unless otherwise specified

Parameter	Conditions	Min	Typ	Max	Units
Total Supply Current	$P_O = 0W$		25	50	mA
Output Power LM1877	THD = 10% $V_S = 20V$, $R_L = 8\Omega$	2.0			W/Ch
	$V_S = 12V$, $R_L = 8\Omega$		1.3		W/Ch
Total Harmonic Distortion LM1877	$f = 1$ kHz, $V_S = 14V$				
	$P_O = 50$ mW/Channel		0.075		%
	$P_O = 500$ mW/Channel		0.045		%
	$P_O = 1$ W/Channel		0.055		%
Output Swing	$R_L = 8\Omega$		$V_S - 6$		Vp-p
Channel Separation	$C_F = 50$ μF , $C_{IN} = 0.1$ μF , $f = 1$ kHz, Output Referred				
	$V_S = 20V$, $V_O = 4$ Vrms	-50	-70		dB
	$V_S = 7V$, $V_O = 0.5$ Vrms		-60		dB
PSRR Power Supply Rejection Ratio	$C_F = 50$ μF , $C_{IN} = 0.1$ μF , $f = 120$ Hz, Output Referred				
	$V_S = 20V$, $V_{RIPPLE} = 1$ Vrms	-50	-65		dB
	$V_S = 7V$, $V_{RIPPLE} = 0.5$ Vrms		-40		dB
Noise	Equivalent Input Noise				
	$R_S = 0$, $C_{IN} = 0.1$ μF , BW = 20 Hz–20 kHz, Output Noise Wideband		2.5		μV
	$R_S = 0$, $C_N = 0.1$ μF , $A_V = 200$		0.80		mV
Open Loop Gain	$R_S = 0$, $f = 100$ kHz, $R_L = 8\Omega$		70		dB
Input Offset Voltage			15		mV
Input Bias Current			50		nA
Input Impedance	Open Loop		4		M Ω
DC Output Level	$V_S = 20V$	9	10	11	V
Slew Rate			2.0		V/ μs
Power Bandwidth			65		kHz
Current Limit			1.0		A

- (1) For operation at ambient temperature greater than $25^\circ C$, the LM1877 must be derated based on a maximum $150^\circ C$ junction temperature.

Typical Performance Characteristics

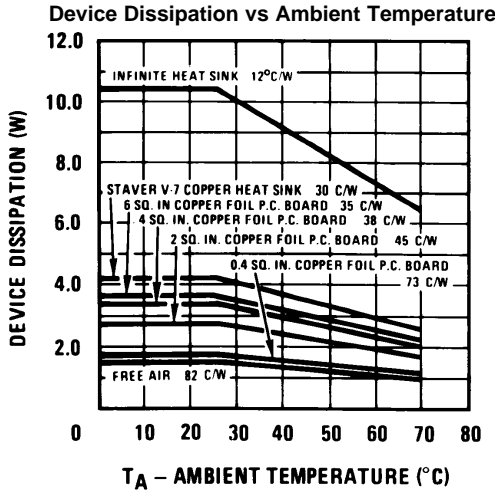


Figure 2.

Power Supply Rejection Ratio (Referred to the Output) vs Frequency

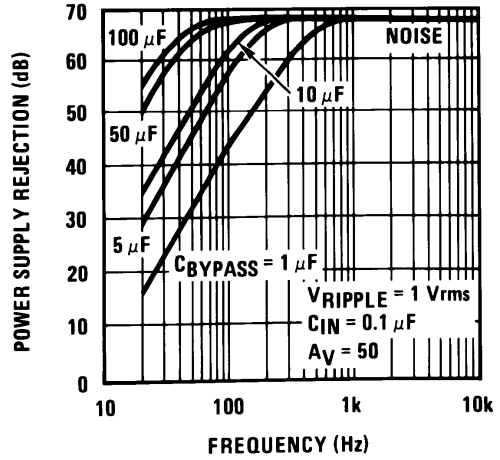


Figure 3.

Power Supply Rejection Ratio (Referred to the Output) vs Frequency

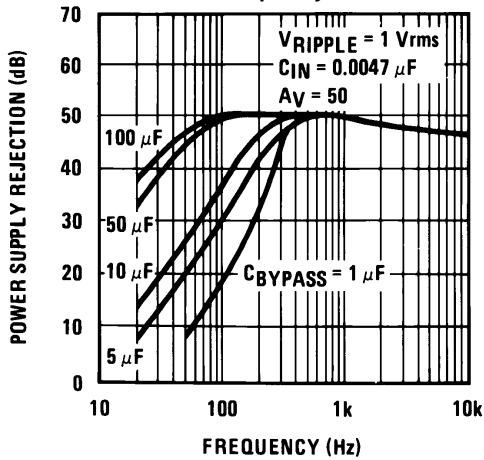


Figure 4.

Power Supply Rejection Ratio (Referred to the Output) vs Supply Voltage

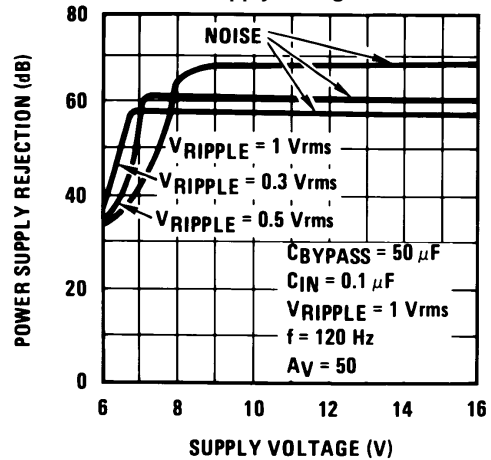


Figure 5.

Channel Separation (Referred to the Output) vs Frequency

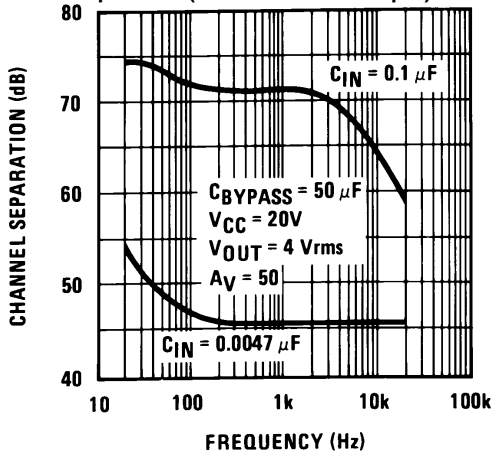


Figure 6.

Channel Separation (Referred to the Output) vs Frequency

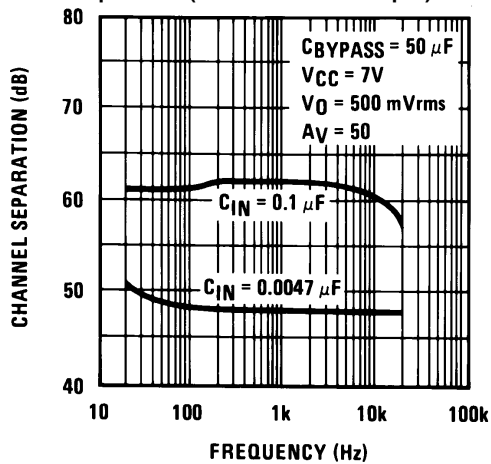


Figure 7.

Typical Performance Characteristics (continued)

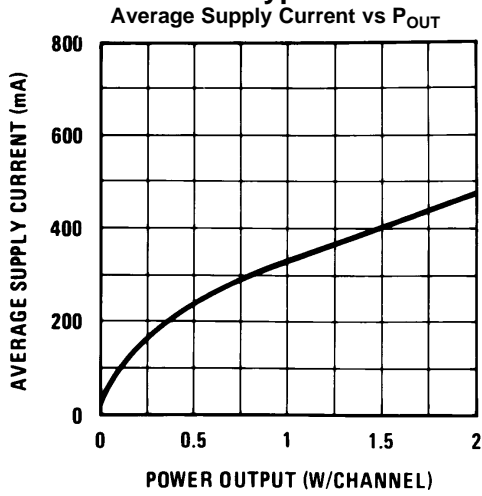


Figure 8.

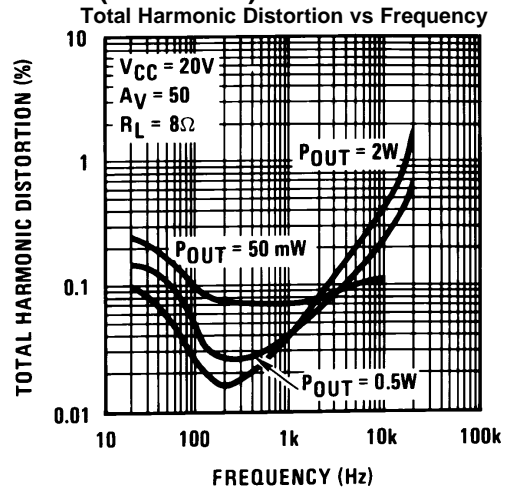


Figure 9.

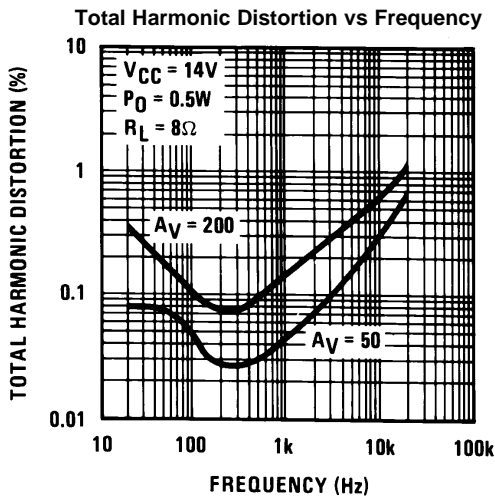


Figure 10.

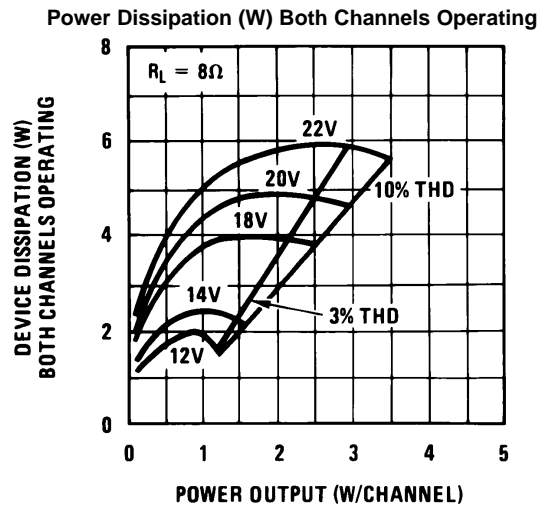


Figure 11.

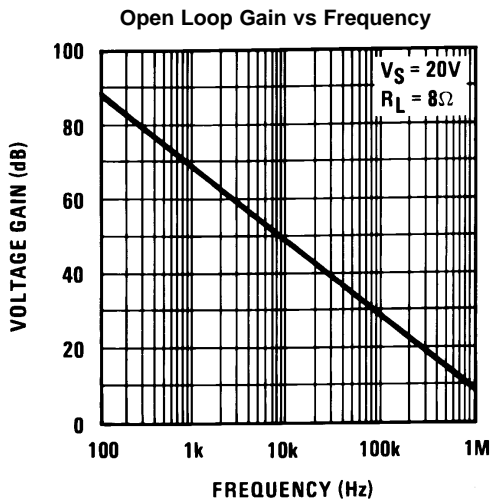


Figure 12.

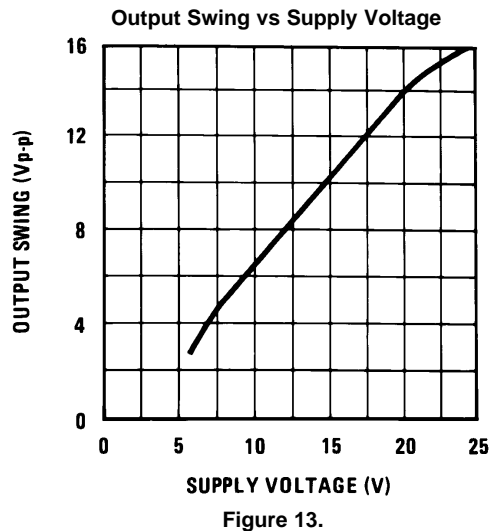


Figure 13.

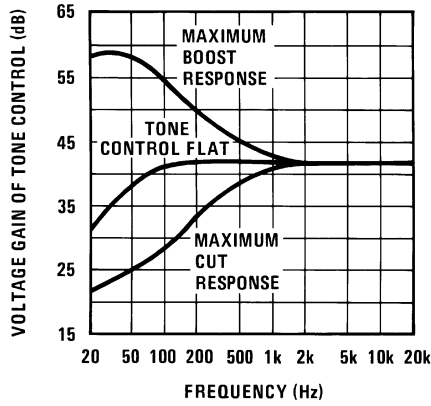


Figure 15. Frequency Response of Bass Tone Control

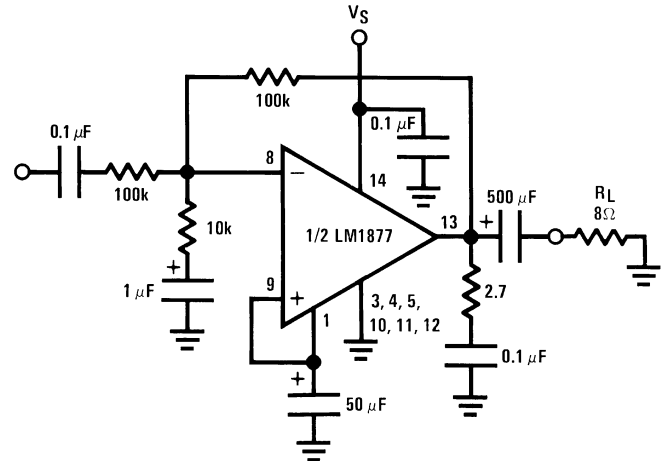


Figure 16. Inverting Unity Gain Amplifier

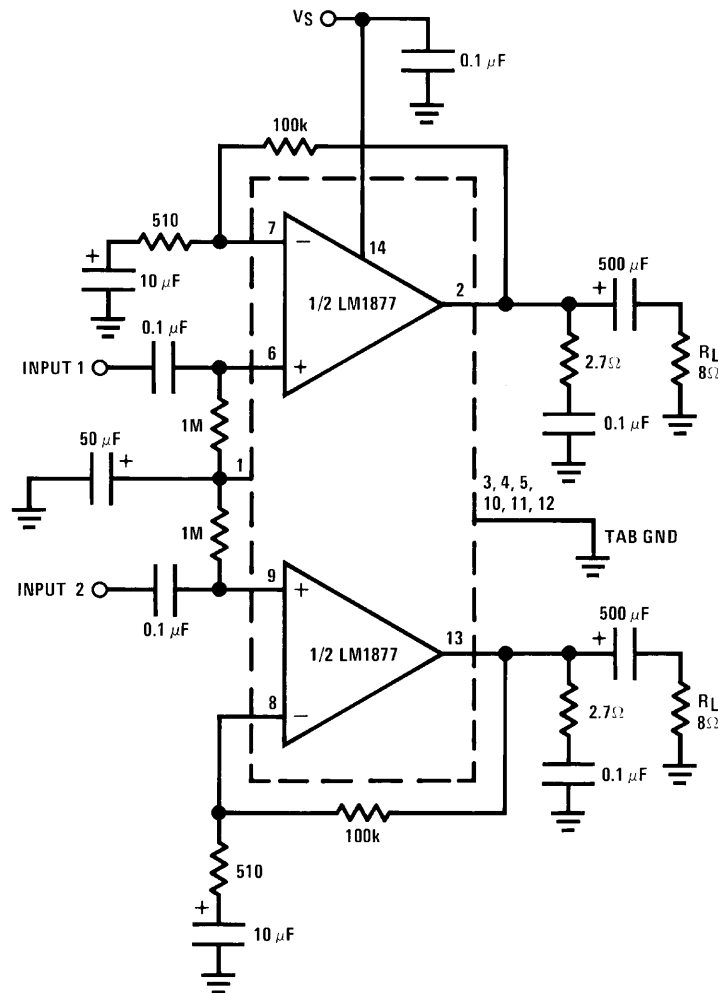


Figure 17. Stereo Amplifier with $A_V = 200$

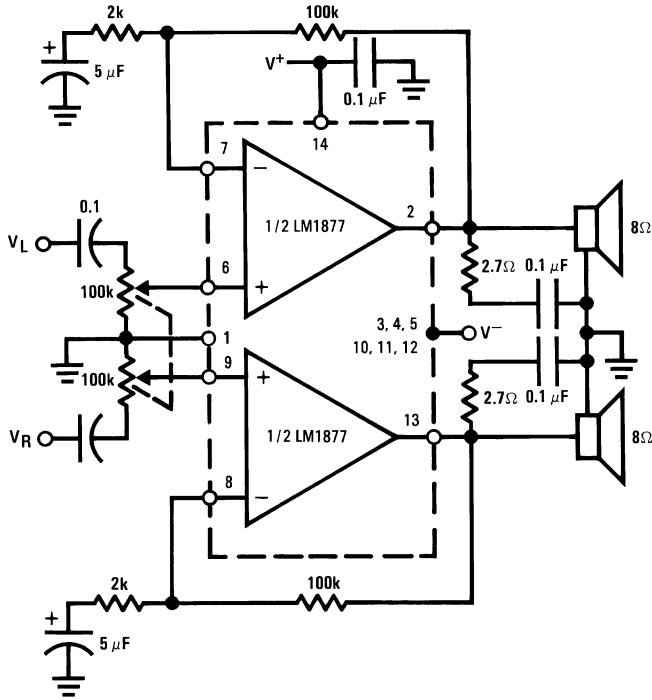


Figure 18. Non-Inverting Amplifier Using Split Supply

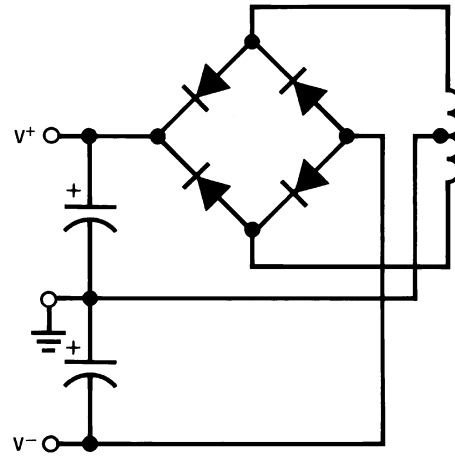


Figure 19. Typical Split Supply

REVISION HISTORY

Changes from Revision A (April 2013) to Revision B	Page
• Changed layout of National Data Sheet to TI format	7

PACKAGING INFORMATION

Orderable Device	Status (1)	Package Type	Package Drawing	Pins	Package Qty	Eco Plan (2)	Lead finish/ Ball material (6)	MSL Peak Temp (3)	Op Temp (°C)	Device Marking (4/5)	Samples
LM1877MX-9/NOPB	ACTIVE	SOIC	NPA	14	1000	RoHS & Green	SN	Level-3-260C-168 HR	0 to 70	LM1877M -9	Samples

(1) The marketing status values are defined as follows:

ACTIVE: Product device recommended for new designs.

LIFEBUY: TI has announced that the device will be discontinued, and a lifetime-buy period is in effect.

NRND: Not recommended for new designs. Device is in production to support existing customers, but TI does not recommend using this part in a new design.

PREVIEW: Device has been announced but is not in production. Samples may or may not be available.

OBSOLETE: TI has discontinued the production of the device.

(2) **RoHS:** TI defines "RoHS" to mean semiconductor products that are compliant with the current EU RoHS requirements for all 10 RoHS substances, including the requirement that RoHS substance do not exceed 0.1% by weight in homogeneous materials. Where designed to be soldered at high temperatures, "RoHS" products are suitable for use in specified lead-free processes. TI may reference these types of products as "Pb-Free".

RoHS Exempt: TI defines "RoHS Exempt" to mean products that contain lead but are compliant with EU RoHS pursuant to a specific EU RoHS exemption.

Green: TI defines "Green" to mean the content of Chlorine (Cl) and Bromine (Br) based flame retardants meet JS709B low halogen requirements of <=100ppm threshold. Antimony trioxide based flame retardants must also meet the <=1000ppm threshold requirement.

(3) MSL, Peak Temp. - The Moisture Sensitivity Level rating according to the JEDEC industry standard classifications, and peak solder temperature.

(4) There may be additional marking, which relates to the logo, the lot trace code information, or the environmental category on the device.

(5) Multiple Device Markings will be inside parentheses. Only one Device Marking contained in parentheses and separated by a "~" will appear on a device. If a line is indented then it is a continuation of the previous line and the two combined represent the entire Device Marking for that device.

(6) Lead finish/Ball material - Orderable Devices may have multiple material finish options. Finish options are separated by a vertical ruled line. Lead finish/Ball material values may wrap to two lines if the finish value exceeds the maximum column width.

Important Information and Disclaimer:The information provided on this page represents TI's knowledge and belief as of the date that it is provided. TI bases its knowledge and belief on information provided by third parties, and makes no representation or warranty as to the accuracy of such information. Efforts are underway to better integrate information from third parties. TI has taken and continues to take reasonable steps to provide representative and accurate information but may not have conducted destructive testing or chemical analysis on incoming materials and chemicals. TI and TI suppliers consider certain information to be proprietary, and thus CAS numbers and other limited information may not be available for release.

In no event shall TI's liability arising out of such information exceed the total purchase price of the TI part(s) at issue in this document sold by TI to Customer on an annual basis.

TAPE AND REEL INFORMATION

QUADRANT ASSIGNMENTS FOR PIN 1 ORIENTATION IN TAPE


*All dimensions are nominal

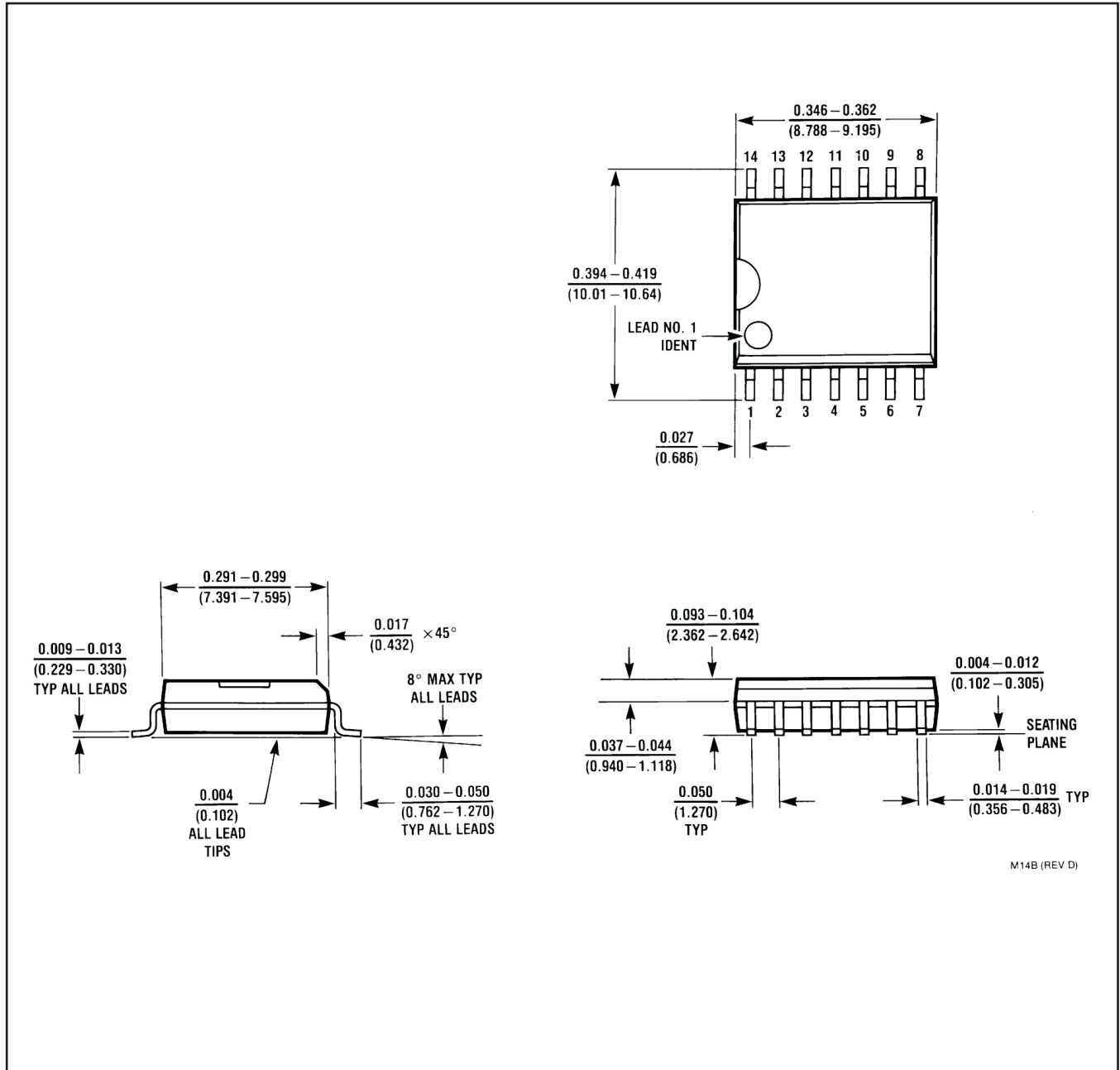
Device	Package Type	Package Drawing	Pins	SPQ	Reel Diameter (mm)	Reel Width W1 (mm)	A0 (mm)	B0 (mm)	K0 (mm)	P1 (mm)	W (mm)	Pin1 Quadrant
LM1877MX-9/NOPB	SOIC	NPA	14	1000	330.0	16.4	10.9	9.5	3.2	12.0	16.0	Q1

TAPE AND REEL BOX DIMENSIONS


*All dimensions are nominal

Device	Package Type	Package Drawing	Pins	SPQ	Length (mm)	Width (mm)	Height (mm)
LM1877MX-9/NOPB	SOIC	NPA	14	1000	356.0	356.0	36.0

NPA0014B



IMPORTANT NOTICE AND DISCLAIMER

TI PROVIDES TECHNICAL AND RELIABILITY DATA (INCLUDING DATA SHEETS), DESIGN RESOURCES (INCLUDING REFERENCE DESIGNS), APPLICATION OR OTHER DESIGN ADVICE, WEB TOOLS, SAFETY INFORMATION, AND OTHER RESOURCES "AS IS" AND WITH ALL FAULTS, AND DISCLAIMS ALL WARRANTIES, EXPRESS AND IMPLIED, INCLUDING WITHOUT LIMITATION ANY IMPLIED WARRANTIES OF MERCHANTABILITY, FITNESS FOR A PARTICULAR PURPOSE OR NON-INFRINGEMENT OF THIRD PARTY INTELLECTUAL PROPERTY RIGHTS.

These resources are intended for skilled developers designing with TI products. You are solely responsible for (1) selecting the appropriate TI products for your application, (2) designing, validating and testing your application, and (3) ensuring your application meets applicable standards, and any other safety, security, regulatory or other requirements.

These resources are subject to change without notice. TI grants you permission to use these resources only for development of an application that uses the TI products described in the resource. Other reproduction and display of these resources is prohibited. No license is granted to any other TI intellectual property right or to any third party intellectual property right. TI disclaims responsibility for, and you will fully indemnify TI and its representatives against, any claims, damages, costs, losses, and liabilities arising out of your use of these resources.

TI's products are provided subject to [TI's Terms of Sale](#) or other applicable terms available either on [ti.com](https://www.ti.com) or provided in conjunction with such TI products. TI's provision of these resources does not expand or otherwise alter TI's applicable warranties or warranty disclaimers for TI products.

TI objects to and rejects any additional or different terms you may have proposed.

Mailing Address: Texas Instruments, Post Office Box 655303, Dallas, Texas 75265
Copyright © 2024, Texas Instruments Incorporated