

LM2734-Q1 薄型 SOT 1A 负载降压直流/直流稳压器

1 特性

- 符合面向汽车应用的 AEC-Q100 标准：
 - 器件温度等级 1: -40°C 至 $+125^{\circ}\text{C}$, T_A
- 薄型 SOT-6 封装
- 3V 至 20V 输入电压范围
- 0.8V 至 18V 输出电压范围
- 1A 输出电流
- 550kHz (LM2734Y) 和 1.6MHz (LM2734X) 开关频率
- 300m Ω NMOS 开关
- 30nA 关断电流
- 0.8V 2% 内部电压基准
- 内部软启动
- 电流模式, PWM 运行
- 热关断
- 使用 LM2734-Q1 并借助 WEBENCH[®] 电源设计器 创建定制设计

2 应用

- 汽车
- 本地负载点稳压
- 高级驾驶员辅助系统 (ADAS)

3 说明

LM2734-Q1 稳压器是一款采用 6 引脚薄型 SOT 封装的高效 PWM 降压直流/直流转换器。该器件可提供所有有效功能, 从而通过尽可能小的 PCB 面积提供具有快速瞬变响应和精确调节功能的本地直流/直流转换。

LM2734-Q1 稳压器采用最少的外部组件以及通过 WEBENCH 提供的在线设计支持, 非常简单易用。该器件能够通过采用最先进的 0.5 μm BiCMOS 技术的内部 300m Ω NMOS 开关来驱动 1A 负载, 从而实现最佳的功率密度。世界级的控制电路可实现低至 13ns 的导通时间, 从而在整个 3V 至 20V 输入工作范围内支持极高频转换, 最低输出电压为 0.8V。开关频率在内部设置为 550kHz (LM2734Y) 或 1.6MHz (LM2734X), 从而允许使用极小的表面贴装电感器和片式电容器。尽管工作频率很高, 但仍可以轻松实现高达 90% 的效率。具备外部关断功能, 因此具有 30nA 的超低待机电流。

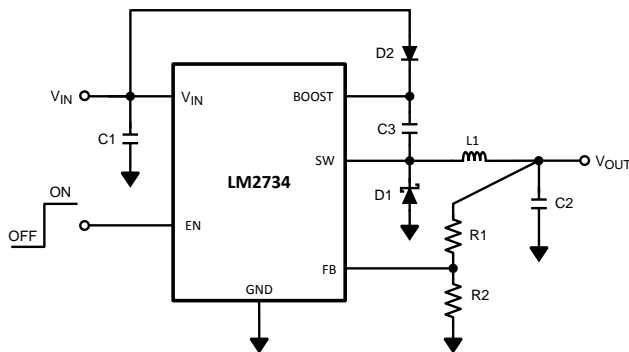
LM2734-Q1 稳压器使用电流模式控制和内部补偿在各种运行条件下提供高性能调节。其他功能包括用于减小浪涌电流的内部软启动电路、逐脉冲电流限制、热关断和输出过压保护。

器件信息(1)

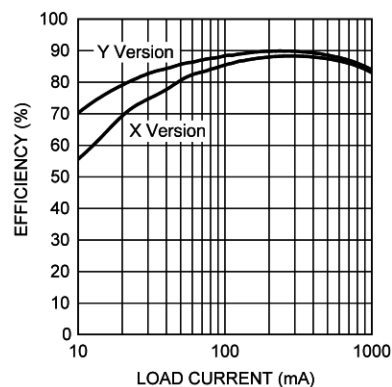
| 器件型号 | 封装 | 封装尺寸 (标称值) |
|-----------|---------|-----------------|
| LM2734-Q1 | SOT (6) | 2.90mm x 1.60mm |

(1) 如需了解所有可用封装, 请参阅数据表末尾的可订购产品附录。

典型应用电路



效率与负载电流间的关系
 $V_{IN} = 5V$, $V_{OUT} = 3.3V$



目录

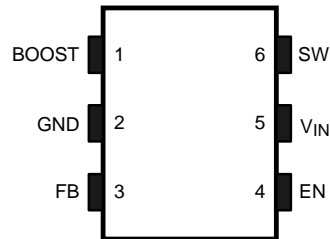
| | |
|---|--|
| <p>1 特性 1</p> <p>2 应用 1</p> <p>3 说明 1</p> <p>4 修订历史记录 2</p> <p>5 Pin Configuration and Functions 3</p> <p>6 Specifications 4</p> <p> 6.1 Absolute Maximum Ratings 4</p> <p> 6.2 ESD Ratings 4</p> <p> 6.3 Recommended Operating Conditions 4</p> <p> 6.4 Thermal Information 4</p> <p> 6.5 Electrical Characteristics 5</p> <p> 6.6 Typical Characteristics 6</p> <p>7 Detailed Description 8</p> <p> 7.1 Overview 8</p> <p> 7.2 Functional Block Diagram 9</p> <p> 7.3 Feature Description 9</p> <p> 7.4 Device Functional Modes 10</p> | <p>8 Application and Implementation 11</p> <p> 8.1 Application Information 11</p> <p> 8.2 Typical Applications 14</p> <p>9 Power Supply Recommendations 29</p> <p>10 Layout 29</p> <p> 10.1 Layout Guidelines 29</p> <p> 10.2 Layout Example 30</p> <p>11 器件和文档支持 31</p> <p> 11.1 开发支持 31</p> <p> 11.2 接收文档更新通知 31</p> <p> 11.3 社区资源 31</p> <p> 11.4 第三方产品免责声明 31</p> <p> 11.5 商标 31</p> <p> 11.6 静电放电警告 31</p> <p> 11.7 术语表 31</p> <p>12 机械、封装和可订购信息 31</p> |
|---|--|

4 修订历史记录

| 日期 | 修订版本 | 说明 |
|------------|------|--|
| 2018 年 9 月 | * | 将 LM2734-Q1 从自 2004 年 9 月开始使用的综合数据表 ZHCSIO6 商用和汽车数据表中分离出来。该 ZHCSIT8 文档详细说明了汽车 LM2734-Q1。 将绝对最大值 FB 电压最大值从“-0.3 V”更改成了“3V” |

5 Pin Configuration and Functions

DDC Package
6-Pin SOT-23-THIN
Top View



Pin Functions

| PIN | | I/O | DESCRIPTION |
|----------|-----|-----|--|
| NAME | NO. | | |
| BOOST | 1 | I | Boost voltage that drives the internal NMOS control switch. A bootstrap capacitor is connected between the BOOST and SW pins. |
| GND | 2 | GND | Signal and Power ground pin. Place the bottom resistor of the feedback network as close as possible to this pin for accurate regulation. |
| FB | 3 | I | Feedback pin. Connect FB to the external resistor divider to set output voltage. |
| EN | 4 | I | Enable control input. Logic high enables operation. Do not allow this pin to float or be greater than $V_{IN} + 0.3\text{ V}$. |
| V_{IN} | 5 | I | Input supply voltage. Connect a bypass capacitor to this pin. |
| SW | 6 | O | Output switch. Connects to the inductor, catch diode, and bootstrap capacitor. |

6 Specifications

6.1 Absolute Maximum Ratings

 over operating free-air temperature (unless otherwise noted)⁽¹⁾⁽²⁾

| | MIN | MAX | UNIT |
|---|------|-----------------------|------|
| V _{IN} | -0.5 | 24 | V |
| SW voltage | -0.5 | 24 | V |
| Boost voltage | -0.5 | 30 | V |
| Boost to SW voltage | -0.5 | 6 | V |
| FB voltage | -0.5 | 3 | V |
| EN voltage | -0.5 | V _{IN} + 0.3 | V |
| Junction temperature | | 150 | °C |
| Soldering information reflow peak pkg. temp.(15s) | | 260 | °C |
| Storage temperature, T _{stg} | -65 | 150 | °C |

- Stresses beyond those listed under *Absolute Maximum Ratings* may cause permanent damage to the device. These are stress ratings only, which do not imply functional operation of the device at these or any other conditions beyond those indicated under *Recommended Operating Conditions*. Exposure to absolute-maximum-rated conditions for extended periods may affect device reliability.
- If Military/Aerospace specified devices are required, contact the Texas Instruments Sales Office/ Distributors for availability and specifications.

6.2 ESD Ratings

| | | VALUE | UNIT |
|--------------------|-------------------------|---|------|
| V _(ESD) | Electrostatic discharge | Human-body model (HBM), per AEC Q100-002 ⁽¹⁾ HBM ESD Classification Level 2 | V |
| | | Charged-device model (CDM), per AEC Q100-011 CDM ESD Classification Level C6 | |

- AEC Q100-002 indicates that HBM stressing shall be in accordance with the ANSI/ESDA/JEDEC JS-001 specification.

6.3 Recommended Operating Conditions

over operating free-air temperature range (unless otherwise noted)

| | MIN | NOM | MAX | UNIT |
|----------------------|------|-----|-----|------|
| V _{IN} | 3 | | 20 | V |
| SW voltage | -0.5 | | 20 | V |
| Boost voltage | -0.5 | | 25 | V |
| Boost to SW voltage | 1.6 | | 5.5 | V |
| Junction temperature | -40 | | 125 | °C |

6.4 Thermal Information

| THERMAL METRIC ⁽¹⁾ | | LM2734-Q1 | UNIT |
|-------------------------------|--|-------------------|------|
| | | DDC (SOT-23-THIN) | |
| | | 6 PINS | |
| R _{θJA} | Junction-to-ambient thermal resistance | 158.1 | °C/W |
| R _{θJC(top)} | Junction-to-case (top) thermal resistance | 46.5 | °C/W |
| R _{θJB} | Junction-to-board thermal resistance | 29.5 | °C/W |
| ψ _{JT} | Junction-to-top characterization parameter | 0.8 | °C/W |
| ψ _{JB} | Junction-to-board characterization parameter | 29.2 | °C/W |
| R _{θJC(bot)} | Junction-to-case (bottom) thermal resistance | n/a | °C/W |

- For more information about traditional and new thermal metrics, see the [Semiconductor and IC Package Thermal Metrics](#) application report.

6.5 Electrical Characteristics

$V_{IN} = 5V$, $V_{BOOST} - V_{SW} = 5V$ unless otherwise specified. Datasheet min/max specification limits are ensured by design, test, or statistical analysis.

| PARAMETER | | TEST CONDITIONS | $T_J = 25^\circ\text{C}$ | | | $T_J = -40^\circ\text{C to } 125^\circ\text{C}$ | | | UNIT |
|-------------------------------|----------------------------------|---------------------------|--------------------------|--------------------|--------------------|---|-------|-----|------------|
| | | | MIN ⁽¹⁾ | TYP ⁽²⁾ | MAX ⁽¹⁾ | MIN | TYP | MAX | |
| V_{FB} | Feedback Voltage | | 0.800 | | | 0.784 | 0.816 | | V |
| $\Delta V_{FB}/\Delta V_{IN}$ | Feedback Voltage Line Regulation | $V_{IN} = 3V$ to $20V$ | 0.01 | | | | | | % / V |
| I_{FB} | Feedback Input Bias Current | Sink/Source | 10 | | | 250 | | | nA |
| UVLO | Undervoltage Lockout | V_{IN} Rising | 2.74 | | | 2.90 | | | V |
| | Undervoltage Lockout | V_{IN} Falling | 2.3 | | | 2 | | | |
| | UVLO Hysteresis | | 0.44 | | | 0.30 | | | |
| F_{SW} | Switching Frequency | LM2734X | 1.6 | | | 1.2 | | | MHz |
| | | LM2734Y | 0.55 | | | 0.40 | | | |
| D_{MAX} | Maximum Duty Cycle | LM2734X | 92 | | | 85% | | | |
| | | LM2734Y | 96 | | | 90% | | | |
| D_{MIN} | Minimum Duty Cycle | LM2734X | 2% | | | | | | |
| | | LM2734Y | 1% | | | | | | |
| $R_{DS(ON)}$ | Switch ON Resistance | $V_{BOOST} - V_{SW} = 3V$ | 300 | | | 600 | | | m Ω |
| I_{CL} | Switch Current Limit | $V_{BOOST} - V_{SW} = 3V$ | 1.7 | | | 1.2 | | | A |
| I_Q | Quiescent Current | Switching | 1.5 | | | 2.5 | | | mA |
| | Quiescent Current (shutdown) | $V_{EN} = 0V$ | 30 | | | | | | nA |
| I_{BOOST} | Boost Pin Current | LM2734X (50% Duty Cycle) | 2.5 | | | 3.5 | | | mA |
| | | LM2734Y (50% Duty Cycle) | 1.0 | | | 1.8 | | | |
| V_{EN_TH} | Shutdown Threshold Voltage | V_{EN} Falling | | | | 0.4 | | | V |
| | Enable Threshold Voltage | V_{EN} Rising | | | | 1.8 | | | |
| I_{EN} | Enable Pin Current | Sink/Source | 10 | | | | | | nA |
| I_{SW} | Switch Leakage | | 40 | | | | | | nA |

(1) Specified to Average Outgoing Quality Level (AOQL).

(2) Typicals represent the most likely parametric norm.

6.6 Typical Characteristics

All curves taken at $V_{IN} = 5\text{ V}$, $V_{BOOST} - V_{SW} = 5\text{ V}$ and $T_A = 25^\circ\text{C}$, unless specified otherwise.

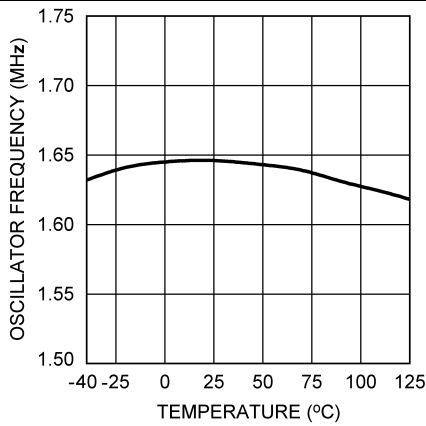


Figure 1. Oscillator Frequency vs Temperature - L1 = 4.7 μH

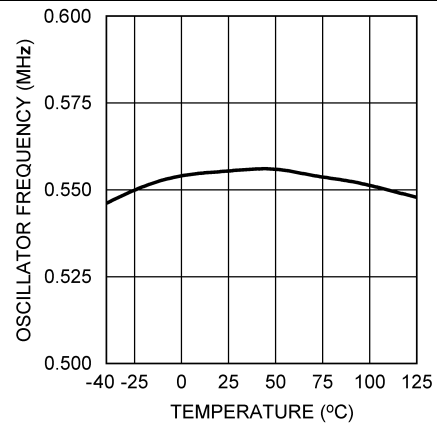


Figure 2. Oscillator Frequency vs Temperature - L1 = 10 μH

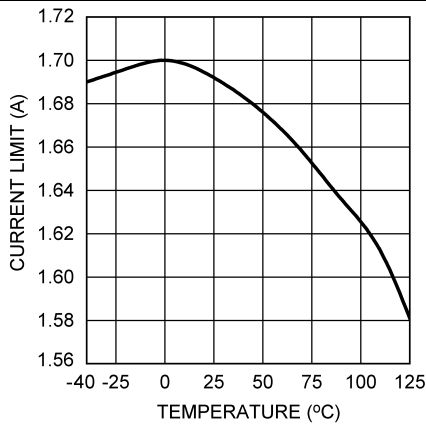


Figure 3. Current Limit vs Temperature

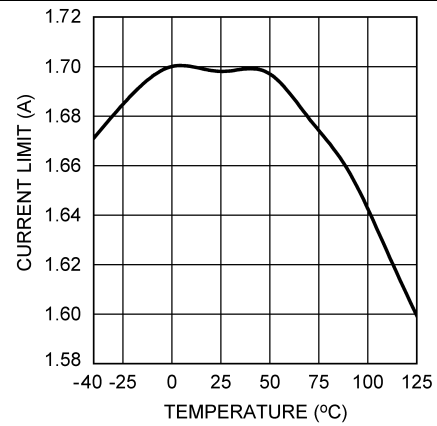


Figure 4. Current Limit vs Temperature
 $V_{IN} = 20\text{ V}$

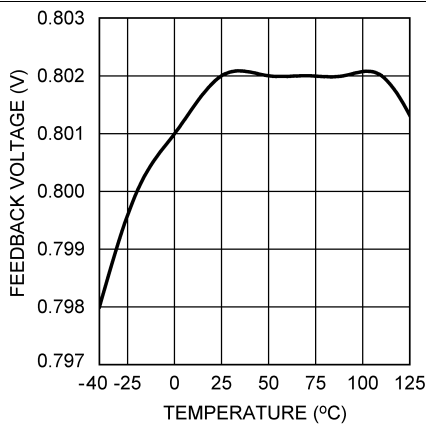


Figure 5. V_{FB} vs Temperature

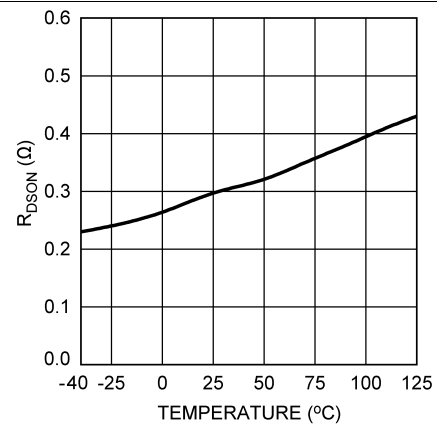


Figure 6. $R_{DS(on)}$ vs Temperature

Typical Characteristics (continued)

All curves taken at $V_{IN} = 5\text{ V}$, $V_{BOOST} - V_{SW} = 5\text{ V}$ and $T_A = 25^\circ\text{C}$, unless specified otherwise.

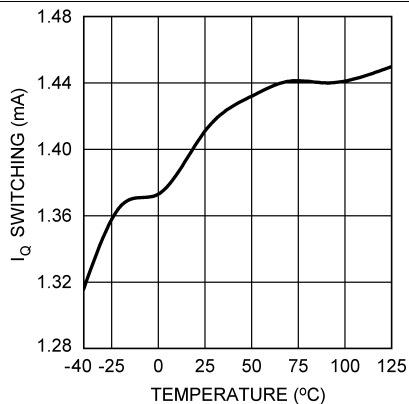


Figure 7. I_Q Switching vs Temperature

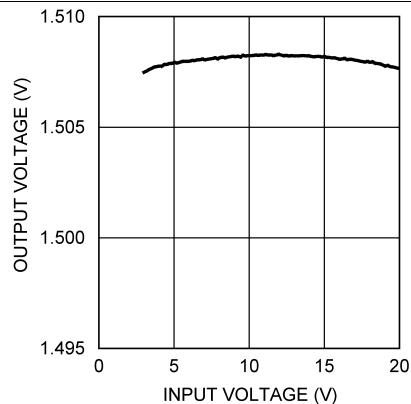


Figure 8. Line Regulation - L1 = 4.7 µH
V_{OUT} = 1.5 V, I_{OUT} = 500 mA

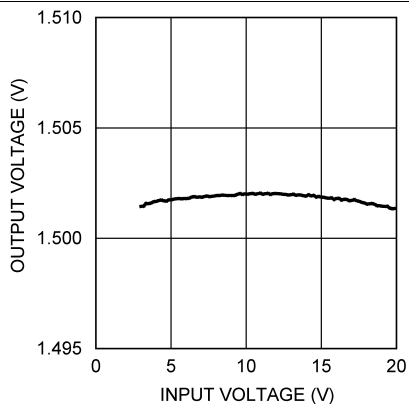


Figure 9. Line Regulation - L1 = 10 µH
V_{OUT} = 1.5 V, I_{OUT} = 500 mA

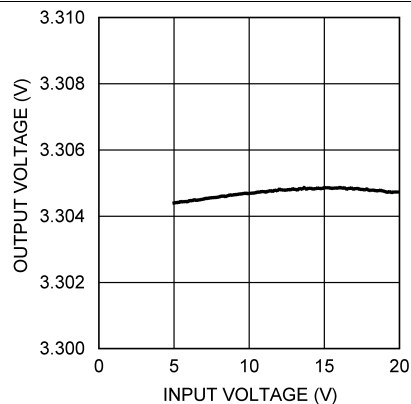


Figure 10. Line Regulation - L1 = 4.7 µH
V_{OUT} = 3.3 V, I_{OUT} = 500 mA

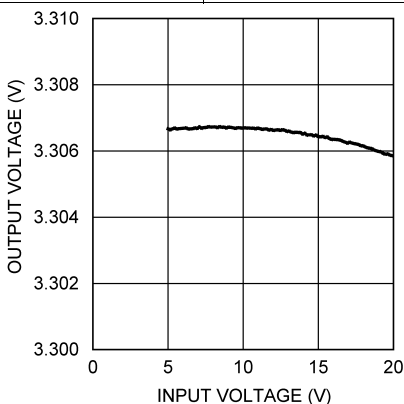


Figure 11. Line Regulation - L1 = 10 µH
V_{OUT} = 3.3 V, I_{OUT} = 500 mA

7 Detailed Description

7.1 Overview

The LM2734-Q1 device is a constant frequency PWM buck regulator IC that delivers a 1-A load current. The regulator has a preset switching frequency of either 550 kHz (LM2734Y) or 1.6 MHz (LM2734X). These high frequencies allow the LM2734-Q1 device to operate with small surface-mount capacitors and inductors, resulting in DC/DC converters that require a minimum amount of board space. The LM2734-Q1 device is internally compensated, so it is simple to use, and requires few external components. The LM2734-Q1 device uses current-mode control to regulate the output voltage.

The following operating description of the LM2734-Q1 device will refer to the Simplified Block Diagram () and to the waveforms in Figure 12. The LM2734-Q1 device supplies a regulated output voltage by switching the internal NMOS control switch at constant frequency and variable duty cycle. A switching cycle begins at the falling edge of the reset pulse generated by the internal oscillator. When this pulse goes low, the output control logic turns on the internal NMOS control switch. During this on-time, the SW pin voltage (V_{SW}) swings up to approximately V_{IN} , and the inductor current (I_L) increases with a linear slope. I_L is measured by the current-sense amplifier, which generates an output proportional to the switch current. The sense signal is summed with the regulator's corrective ramp and compared to the error amplifier's output, which is proportional to the difference between the feedback voltage and V_{REF} . When the PWM comparator output goes high, the output switch turns off until the next switching cycle begins. During the switch off-time, inductor current discharges through Schottky diode D1, which forces the SW pin to swing below ground by the forward voltage (V_D) of the catch diode. The regulator loop adjusts the duty cycle (D) to maintain a constant output voltage.

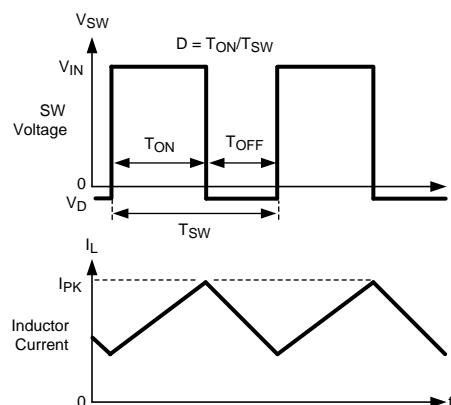
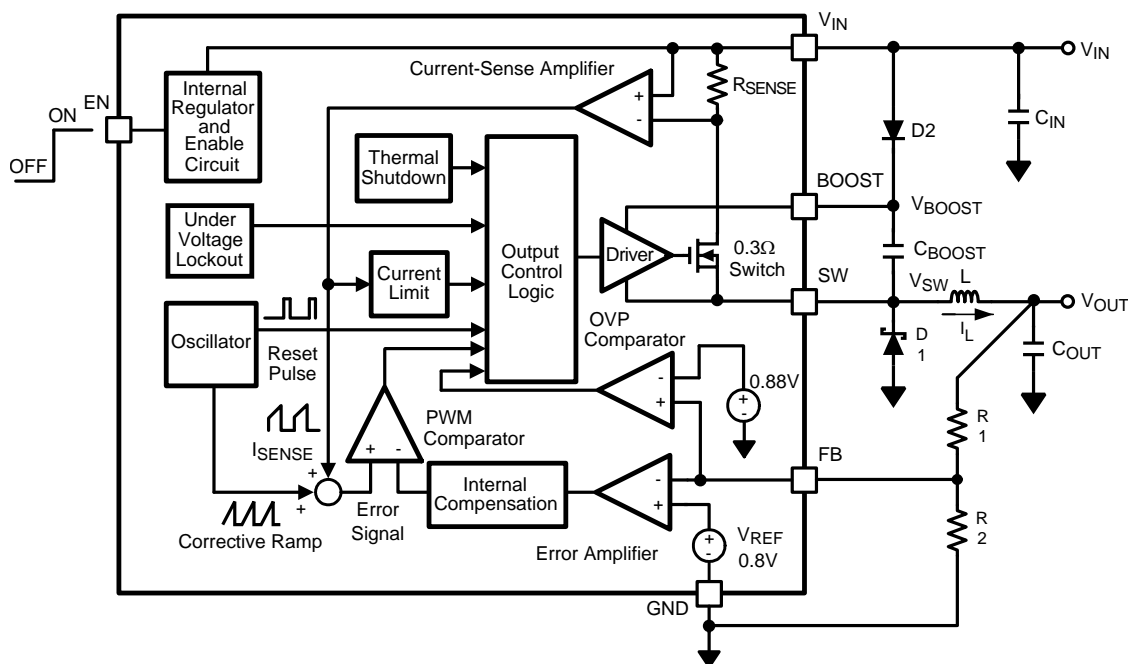


Figure 12. LM2734-Q1 Waveforms of SW Pin Voltage and Inductor Current

7.2 Functional Block Diagram



7.3 Feature Description

7.3.1 Output Overvoltage Protection

The overvoltage comparator compares the FB pin voltage to a voltage that is 10% higher than the internal reference V_{ref} . Once the FB pin voltage goes 10% above the internal reference, the internal NMOS control switch is turned off, which allows the output voltage to decrease toward regulation.

7.3.2 Undervoltage Lockout

Undervoltage lockout (UVLO) prevents the LM2734-Q1 from operating until the input voltage exceeds 2.74 V (typical).

The UVLO threshold has approximately 440 mV of hysteresis, so the part will operate until V_{IN} drops below 2.3 V (typical). Hysteresis prevents the part from turning off during power up if V_{IN} is nonmonotonic.

7.3.3 Current Limit

The LM2734-Q1 uses cycle-by-cycle current limiting to protect the output switch. During each switching cycle, a current limit comparator detects if the output switch current exceeds 1.7 A (typical), and turns off the switch until the next switching cycle begins.

7.3.4 Thermal Shutdown

Thermal shutdown limits total power dissipation by turning off the output switch when the IC junction temperature exceeds 165°C. After thermal shutdown occurs, the output switch does not turn on until the junction temperature drops to approximately 150°C.

7.4 Device Functional Modes

7.4.1 Enable Pin / Shutdown Mode

The LM2734-Q1 has a shutdown mode that is controlled by the enable pin (EN). When a logic low voltage is applied to EN, the part is in shutdown mode and its quiescent current drops to typically 30 nA. Switch leakage adds another 40 nA from the input supply. The voltage at this pin must never exceed $V_{IN} + 0.3$ V.

7.4.2 Soft Start

This function forces V_{OUT} to increase at a controlled rate during start up. During soft start, the error amplifier's reference voltage ramps from 0 V to its nominal value of 0.8 V in approximately 200 μ s. This forces the regulator output to ramp up in a more linear and controlled fashion, which helps reduce inrush current. Under some circumstances at start-up, an output voltage overshoot may still be observed. This may be due to a large output load applied during start-up. Large amounts of output external capacitance can also increase output voltage overshoot. A simple solution is to add a feed forward capacitor with a value between 470 pf and 1000 pf across the top feedback resistor (R1). See [Figure 23](#) for further detail.

8 Application and Implementation

NOTE

Information in the following applications sections is not part of the TI component specification, and TI does not warrant its accuracy or completeness. TI's customers are responsible for determining suitability of components for their purposes. Customers should validate and test their design implementation to confirm system functionality.

8.1 Application Information

8.1.1 Boost Function

Capacitor C_{BOOST} and diode D2 in [Figure 13](#) are used to generate a voltage V_{BOOST} . $V_{\text{BOOST}} - V_{\text{SW}}$ is the gate drive voltage to the internal NMOS control switch. To properly drive the internal NMOS switch during its on-time, V_{BOOST} needs to be at least 1.6 V greater than V_{SW} . Although the LM2734-Q1 device will operate with this minimum voltage, it may not have sufficient gate drive to supply large values of output current. Therefore, it is recommended that V_{BOOST} be greater than 2.5 V above V_{SW} for best efficiency. $V_{\text{BOOST}} - V_{\text{SW}}$ should not exceed the maximum operating limit of 5.5 V.

$5.5 \text{ V} > V_{\text{BOOST}} - V_{\text{SW}} > 2.5 \text{ V}$ for best performance.

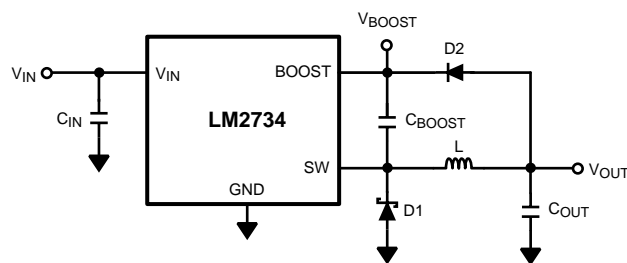


Figure 13. V_{OUT} Charges C_{BOOST}

When the LM2734-Q1 device starts up, internal circuitry from the BOOST pin supplies a maximum of 20 mA to C_{BOOST} . This current charges C_{BOOST} to a voltage sufficient to turn the switch on. The BOOST pin continues to source current to C_{BOOST} until the voltage at the feedback pin is greater than 0.76 V.

There are various methods to derive V_{BOOST} :

1. From the input voltage (V_{IN})
2. From the output voltage (V_{OUT})
3. From an external distributed voltage rail (V_{EXT})
4. From a shunt or series Zener diode

In the simplified block diagram of [Functional Block Diagram](#), capacitor C_{BOOST} and diode D2 supply the gate-drive current for the NMOS switch. Capacitor C_{BOOST} is charged via diode D2 by V_{IN} . During a normal switching cycle, when the internal NMOS control switch is off (T_{OFF}) (refer to [Figure 12](#)), V_{BOOST} equals V_{IN} minus the forward voltage of D2 (V_{FD2}), during which the current in the inductor (L) forward biases the Schottky diode D1 (V_{FD1}). Therefore, the voltage stored across C_{BOOST} is:

$$V_{\text{BOOST}} - V_{\text{SW}} = V_{\text{IN}} - V_{\text{FD2}} + V_{\text{FD1}} \quad (1)$$

When the NMOS switch turns on (T_{ON}), the switch pin rises to:

$$V_{\text{SW}} = V_{\text{IN}} - (R_{\text{DS(on)}} \times I_{\text{L}}), \quad (2)$$

forcing V_{BOOST} to rise thus reverse biasing D2. The voltage at V_{BOOST} is then:

$$V_{\text{BOOST}} = 2 V_{\text{IN}} - (R_{\text{DS(on)}} \times I_{\text{L}}) - V_{\text{FD2}} + V_{\text{FD1}} \quad (3)$$

which is approximately:

$$2V_{\text{IN}} - 0.4 \text{ V} \quad (4)$$

Application Information (continued)

for many applications. Thus the gate-drive voltage of the NMOS switch is approximately:

$$V_{IN} - 0.2 \text{ V} \quad (5)$$

An alternate method for charging C_{BOOST} is to connect D2 to the output as shown in [Figure 13](#). The output voltage should be from 2.5 V and 5.5 V, so that proper gate voltage will be applied to the internal switch. In this circuit, C_{BOOST} provides a gate drive voltage that is slightly less than V_{OUT} .

In applications where both V_{IN} and V_{OUT} are greater than 5.5 V, or less than 3 V, C_{BOOST} cannot be charged directly from these voltages. If V_{IN} to V_{OUT} are greater than 5.5 V, C_{BOOST} can be charged from V_{IN} or V_{OUT} minus a Zener voltage by placing a Zener diode D3 in series with D2, as shown in [Figure 14](#). When using a series Zener diode from the input, ensure that the regulation of the input supply does not create a voltage that falls outside the recommended V_{BOOST} voltage.

$$(V_{INMAX} - V_{D3}) < 5.5 \text{ V} \quad (6)$$

$$(V_{INMIN} - V_{D3}) > 1.6 \text{ V} \quad (7)$$

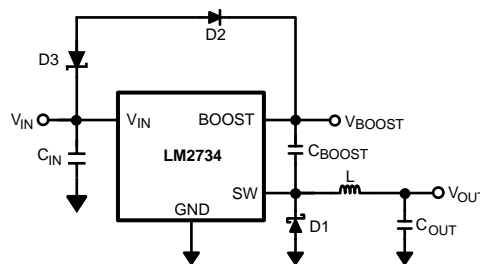


Figure 14. Zener Reduces Boost Voltage from V_{IN}

An alternative method is to place the Zener diode D3 in a shunt configuration as shown in [Figure 15](#). A small 350 mW to 500 mW 5.1-V Zener diode in a SOT or SOD package can be used for this purpose. A small ceramic capacitor such as a 6.3 V, 0.1- μ F capacitor (C_4) should be placed in parallel with the Zener diode. When the internal NMOS switch turns on, a pulse of current is drawn to charge the internal NMOS gate capacitance. The 0.1- μ F parallel shunt capacitor ensures that the V_{BOOST} voltage is maintained during this time.

Resistor R3 should be chosen to provide enough RMS current to the Zener diode (D3) and to the BOOST pin. A recommended choice for the Zener current (I_{ZENER}) is 1 mA. The current I_{BOOST} into the BOOST pin supplies the gate current of the NMOS control switch and varies typically according to the following formula for the X version:

$$I_{BOOST} = 0.56 \times (D + 0.54) \times (V_{ZENER} - V_{D2}) \text{ mA} \quad (8)$$

I_{BOOST} can be calculated for the Y version using the following:

$$I_{BOOST} = 0.22 \times (D + 0.54) \times (V_{ZENER} - V_{D2}) \mu\text{A} \quad (9)$$

where D is the duty cycle, V_{ZENER} and V_{D2} are in volts, and I_{BOOST} is in milliamps. V_{ZENER} is the voltage applied to the anode of the boost diode (D2), and V_{D2} is the average forward voltage across D2. Note that this formula for I_{BOOST} gives typical current. For the worst case I_{BOOST} , increase the current by 40%. In that case, the worst case boost current will be:

$$I_{BOOST-MAX} = 1.4 \times I_{BOOST} \quad (10)$$

R3 will then be given by:

$$R3 = (V_{IN} - V_{ZENER}) / (1.4 \times I_{BOOST} + I_{ZENER}) \quad (11)$$

For example, using the X-version let $V_{IN} = 10 \text{ V}$, $V_{ZENER} = 5 \text{ V}$, $V_{D2} = 0.7 \text{ V}$, $I_{ZENER} = 1 \text{ mA}$, and duty cycle D = 50%. Then:

$$I_{BOOST} = 0.56 \times (0.5 + 0.54) \times (5 - 0.7) \text{ mA} = 2.5 \text{ mA} \quad (12)$$

$$R3 = (10 \text{ V} - 5 \text{ V}) / (1.4 \times 2.5 \text{ mA} + 1 \text{ mA}) = 1.11 \text{ k}\Omega \quad (13)$$

Application Information (continued)

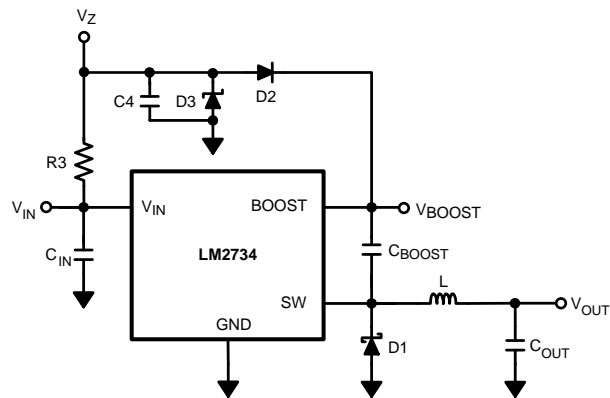


Figure 15. Boost Voltage Supplied from the Shunt Zener on V_{IN}

8.2 Typical Applications

8.2.1 LM2734X (1.6 MHz) V_{BOOST} Derived from V_{IN} 5V to 1.5 V/1 A

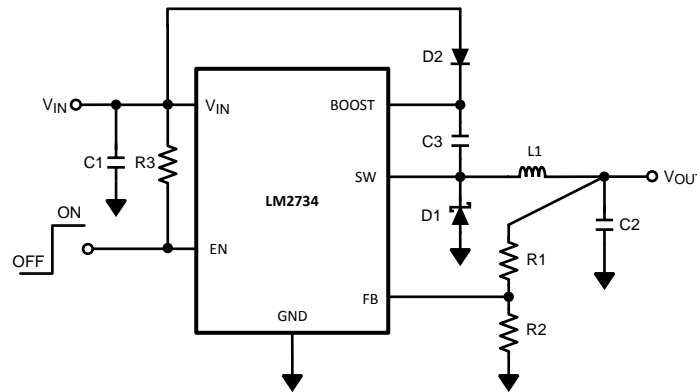


Figure 16. LM2734X (1.6 MHz) V_{BOOST} Derived from V_{IN} 5 V to 1.5-V/1-A Schematic

8.2.1.1 Design Requirements

Derive charge for V_{BOOST} from the input supply (V_{IN}). $V_{BOOST} - V_{SW}$ should not exceed the maximum operating limit of 5.5V.

8.2.1.2 Detailed Design Procedure

Table 1. Bill of Materials for Figure 16

| PART ID | PART VALUE | MANUFACTURER | PART NUMBER |
|-----------------|-------------------------------|-------------------|--------------------|
| U1 | 1-A Buck Regulator | Texas Instruments | LM2734X |
| C1, Input Cap | 10 μ F, 6.3V, X5R | TDK | C3216X5ROJ106M |
| C2, Output Cap | 10 μ F, 6.3V, X5R | TDK | C3216X5ROJ106M |
| C3, Boost Cap | 0.01 μ F, 16V, X7R | TDK | C1005X7R1C103K |
| D1, Catch Diode | 0.3 V_F Schottky 1 A, 10 VR | ON Semi | MBRM110L |
| D2, Boost Diode | 1 V_F @ 50-mA Diode | Diodes, Inc. | 1N4148W |
| L1 | 4.7 μ H, 1.7A, | TDK | VLCF4020T- 4R7N1R2 |
| R1 | 8.87 k Ω , 1% | Vishay | CRCW06038871F |
| R2 | 10.2 k Ω , 1% | Vishay | CRCW06031022F |
| R3 | 100 k Ω , 1% | Vishay | CRCW06031003F |

8.2.1.2.1 Custom Design With WEBENCH® Tools

[Click here](#) to create a custom design using the XXXXXXXX device with the WEBENCH® Power Designer.

1. Start by entering the input voltage (V_{IN}), output voltage (V_{OUT}), and output current (I_{OUT}) requirements.
2. Optimize the design for key parameters such as efficiency, footprint, and cost using the optimizer dial.
3. Compare the generated design with other possible solutions from Texas Instruments.

The WEBENCH Power Designer provides a customized schematic along with a list of materials with real-time pricing and component availability.

In most cases, these actions are available:

- Run electrical simulations to see important waveforms and circuit performance
- Run thermal simulations to understand board thermal performance
- Export customized schematic and layout into popular CAD formats
- Print PDF reports for the design, and share the design with colleagues

Get more information about WEBENCH tools at www.ti.com/WEBENCH.

8.2.1.2.2 Inductor Selection

The Duty Cycle (D) can be approximated quickly using the ratio of output voltage (V_O) to input voltage (V_{IN}):

$$D = \frac{V_O}{V_{IN}} \quad (14)$$

The catch diode (D1) forward voltage drop and the voltage drop across the internal NMOS must be included to calculate a more accurate duty cycle. Calculate D by using the following formula:

$$D = \frac{V_O + V_D}{V_{IN} + V_D - V_{SW}} \quad (15)$$

V_{SW} can be approximated by:

$$V_{SW} = I_O \times R_{DS(ON)} \quad (16)$$

The diode forward drop (V_D) can range from 0.3 V to 0.7 V depending on the quality of the diode. The lower V_D is, the higher the operating efficiency of the converter.

The inductor value determines the output ripple current. Lower inductor values decrease the size of the inductor, but increase the output ripple current. An increase in the inductor value will decrease the output ripple current. The ratio of ripple current (ΔI_L) to output current (I_O) is optimized when it is set between 0.3 and 0.4 at 1 A. The ratio r is defined as:

$$r = \frac{\Delta I_L}{I_O} \quad (17)$$

One must also ensure that the minimum current limit (1.2 A) is not exceeded, so the peak current in the inductor must be calculated. The peak current (I_{LPK}) in the inductor is calculated as shown in [Equation 18](#):

$$I_{LPK} = I_O + \Delta I_L/2 \quad (18)$$

If $r = 0.5$ at an output of 1 A, the peak current in the inductor will be 1.25 A. The minimum specified current limit over all operating conditions is 1.2 A. One can either reduce r to 0.4 resulting in a 1.2-A peak current, or make the engineering judgement that 50 mA over is safe enough with a 1.7-A typical current limit and 6 sigma limits. When the designed maximum output current is reduced, the ratio r can be increased. At a current of 0.1 A, r can be made as high as 0.9. The ripple ratio can be increased at lighter loads because the net ripple is actually quite low, and if r remains constant the inductor value can be made quite large. An equation empirically developed for the maximum ripple ratio at any current less than 2 A is:

$$r = 0.387 \times I_{OUT}^{-0.3667} \quad (19)$$

Note that this is just a guideline.

The LM2734-Q1 operates at frequencies allowing the use of ceramic output capacitors without compromising transient response. Ceramic capacitors allow higher inductor ripple without significantly increasing output ripple. See [Output Capacitor](#) for more details on calculating output voltage ripple.

Now that the ripple current or ripple ratio is determined, the inductance is calculated as shown in [Equation 20](#):

$$L = \frac{V_O + V_D}{I_O \times r \times f_s} \times (1-D)$$

where

- f_s is the switching frequency
 - I_O is the output current.
- (20)

When selecting an inductor, make sure that it is capable of supporting the peak output current without saturating. Inductor saturation will result in a sudden reduction in inductance and prevent the regulator from operating correctly. Because of the speed of the internal current limit, it necessary to specify the peak current of the inductor only for the required maximum output current. For example, if the designed maximum output current is 0.5 A and the peak current is 0.7 A, then the inductor should be specified with a saturation current limit of >0.7 A.

There is no need to specify the saturation or peak current of the inductor at the 1.7-A typical switch current limit. The difference in inductor size is a factor of 5. Because of the operating frequency of the LM2734-Q1, ferrite based inductors are preferred to minimize core losses. This presents little restriction because the variety of ferrite based inductors is huge. Lastly, inductors with lower series resistance (DCR) will provide better operating efficiency. For recommended inductors see example circuits.

8.2.1.2.3 Input Capacitor

An input capacitor is necessary to ensure that V_{IN} does not drop excessively during switching transients. The primary specifications of the input capacitor are capacitance, voltage, RMS current rating, and ESL (Equivalent Series Inductance). The recommended input capacitance is 10 μF , although 4.7 μF is sufficient for input voltages below 6 V. The input voltage rating is specifically stated by the capacitor manufacturer. Make sure to check any recommended deratings and also verify if there is any significant change in capacitance at the operating input voltage and the operating temperature. The input capacitor maximum RMS input current rating ($I_{\text{RMS-IN}}$) must be greater than:

$$I_{\text{RMS-IN}} = I_O \times \sqrt{D \times \left(1 - D + \frac{r^2}{12}\right)} \quad (21)$$

From Equation 21 from the above equation that maximum RMS capacitor current occurs when $D = 0.5$. Always calculate the RMS at the point where the duty cycle, D , is closest to 0.5. The ESL of an input capacitor is usually determined by the effective cross sectional area of the current path. A large leaded capacitor will have high ESL and a 0805 ceramic chip capacitor will have very low ESL. At the operating frequencies of the LM2734-Q1 device, certain capacitors may have an ESL so large that the resulting impedance ($2\pi fL$) will be higher than that required to provide stable operation. As a result, surface-mount capacitors are strongly recommended. Sanyo POSCAP, Tantalum or Niobium, Panasonic SP or Cornell Dubilier ESR, and multilayer ceramic capacitors (MLCC) are all good choices for both input and output capacitors and have very low ESL. For MLCCs it is recommended to use X7R or X5R dielectrics. Consult the capacitor manufacturer data sheet to see how rated capacitance varies over operating conditions.

8.2.1.2.4 Output Capacitor

The output capacitor is selected based upon the desired output ripple and transient response. The initial current of a load transient is provided mainly by the output capacitor. The output ripple of the converter is:

$$\Delta V_O = \Delta i_L \times \left(R_{\text{ESR}} + \frac{1}{8 \times f_S \times C_O} \right) \quad (22)$$

When using MLCCs, the ESR is typically so low that the capacitive ripple may dominate. When this occurs, the output ripple will be approximately sinusoidal and 90° phase shifted from the switching action. Given the availability and quality of MLCCs and the expected output voltage of designs using the LM2734-Q1 device, there is really no need to review any other capacitor technologies. Another benefit of ceramic capacitors is their ability to bypass high frequency noise. A certain amount of switching edge noise will couple through parasitic capacitances in the inductor to the output. A ceramic capacitor will bypass this noise while a tantalum will not. Because the output capacitor is one of the two external components that control the stability of the regulator control loop, most applications will require a minimum at 10 μF of output capacitance. Capacitance can be increased significantly with little detriment to the regulator stability. Like the input capacitor, recommended multilayer ceramic capacitors are X7R or X5R. Again, verify actual capacitance at the desired operating voltage and temperature.

Check the RMS current rating of the capacitor. The RMS current rating of the capacitor chosen must also meet the following condition:

$$I_{\text{RMS-OUT}} = I_O \times \frac{r}{\sqrt{12}} \quad (23)$$

8.2.1.2.5 Catch Diode

The catch diode (D1) conducts during the switch off-time. A Schottky diode is recommended for its fast switching times and low forward voltage drop. The catch diode should be chosen so that its current rating is greater than:

$$I_{D1} = I_O \times (1 - D) \quad (24)$$

The reverse breakdown rating of the diode must be at least the maximum input voltage plus appropriate margin. To improve efficiency choose a Schottky diode with a low forward voltage drop.

8.2.1.2.6 Boost Diode

A standard diode such as the 1N4148 type is recommended. For V_{BOOST} circuits derived from voltages less than 3.3 V, a small-signal Schottky diode is recommended for greater efficiency. A good choice is the BAT54 small signal diode.

8.2.1.2.7 Boost Capacitor

A ceramic 0.01- μF capacitor with a voltage rating of at least 16 V is sufficient. The X7R and X5R MLCCs provide the best performance.

8.2.1.2.8 Output Voltage

The output voltage is set using the following equation where R2 is connected between the FB pin and GND, and R1 is connected between V_O and the FB pin. A good value for R2 is 10 kΩ.

$$R1 = \left(\frac{V_O}{V_{REF}} - 1 \right) \times R2 \quad (25)$$

8.2.1.3 Application Curves

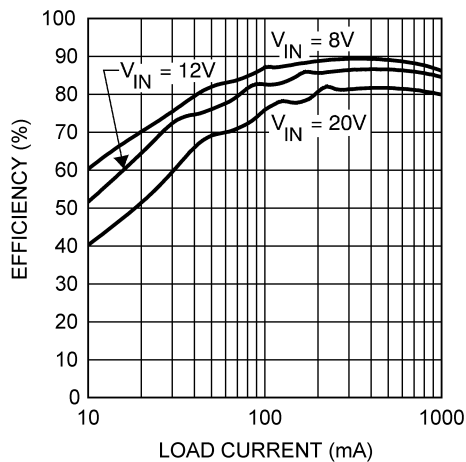


Figure 17. Efficiency vs Load Current - L1 = 4.7 μH V_{OUT} = 5 V

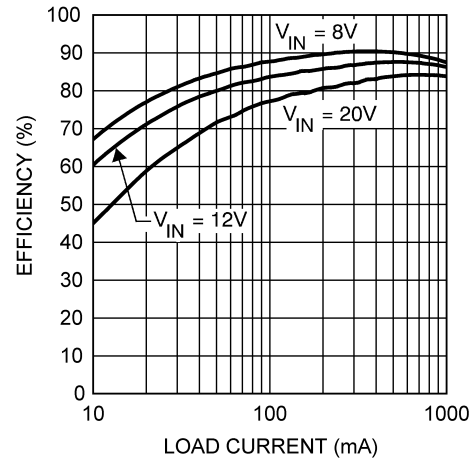


Figure 18. Efficiency vs Load Current - L1 = 10 μH V_{OUT} = 5 V

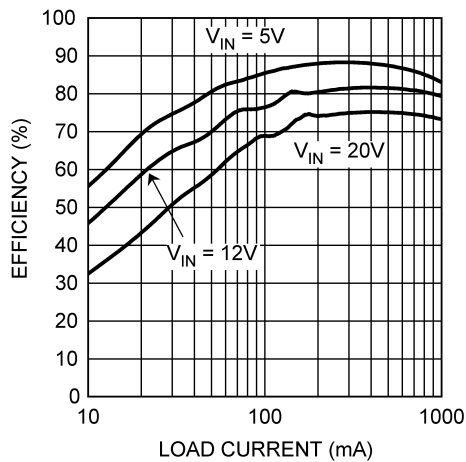


Figure 19. Efficiency vs Load Current - L1 = 4.7 μH V_{OUT} = 3.3 V

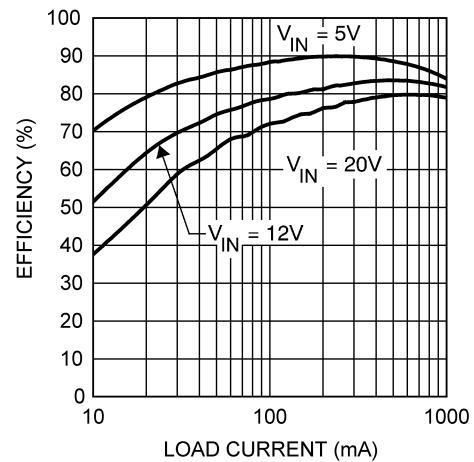


Figure 20. Efficiency vs Load Current - L1 = 10 μH V_{OUT} = 3.3 V

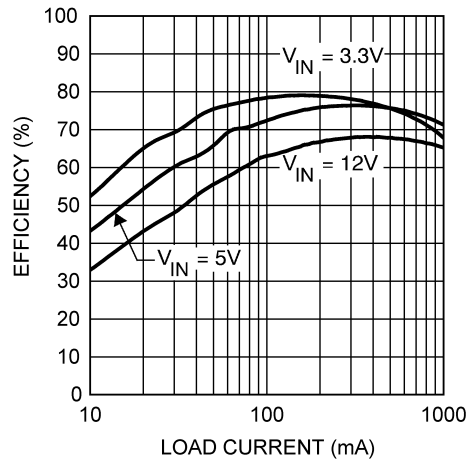


Figure 21. Efficiency vs Load Current - L1 = 4.7 μH V_{OUT} = 1.5 V

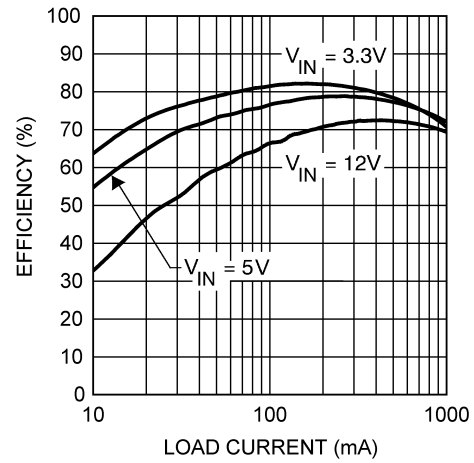


Figure 22. Efficiency vs Load Current - L1 = 10 μH V_{OUT} = 1.5 V

8.2.2 LM2734X (1.6 MHz) V_{BOOST} Derived from V_{OUT} 12 V to 3.3 V /1 A

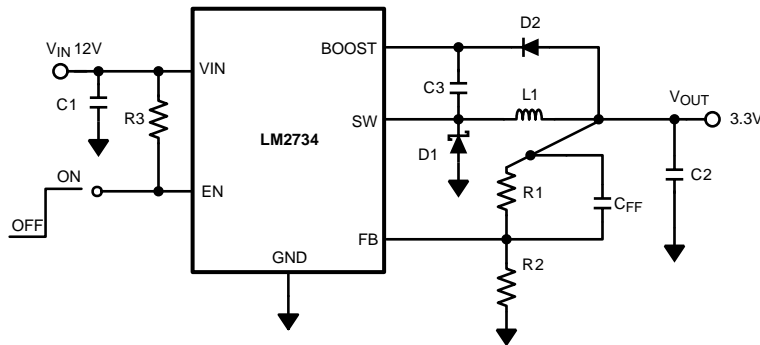


Figure 23. LM2734X (1.6 MHz) V_{BOOST} Derived from V_{OUT} 12 V to 3.3 V /1-A Schematic

8.2.2.1 Design Requirements

Derive charge for V_{BOOST} from the output voltage, (V_{OUT}). The output voltage should be between 2.5 V and 5.5 V.

8.2.2.2 Detailed Design Procedure

See [Detailed Design Procedure](#).

Table 2. Bill of Materials for Figure 23

| PART ID | PART VALUE | MANUFACTURER | PART NUMBER |
|-----------------|---|-------------------|--------------------|
| U1 | 1-A Buck Regulator | Texas Instruments | LM2734X |
| C1, Input Cap | 10 µF, 25 V, X7R | TDK | C3225X7R1E106M |
| C2, Output Cap | 22 µF, 6.3 V, X5R | TDK | C3216X5ROJ226M |
| C3, Boost Cap | 0.01 µF, 16 V, X7R | TDK | C1005X7R1C103K |
| CFF | 1000 pF 25 V | TDK | C0603X5R1E102K |
| D1, Catch Diode | 0.34 V _F Schottky 1 A, 30 VR | Vishay | SS1P3L |
| D2, Boost Diode | 1 V _F @ 50-mA Diode | Diodes, Inc. | 1N4148W |
| L1 | 4.7µH, 1.7 A | TDK | VLCF4020T- 4R7N1R2 |
| R1 | 31.6 kΩ, 1% | Vishay | CRCW06033162F |
| R2 | 10 kΩ, 1% | Vishay | CRCW06031002F |
| R3 | 100 kΩ, 1% | Vishay | CRCW06031003F |

8.2.2.3 Application Curves

See [Application Curves](#).

8.2.3 LM2734X (1.6 MHz) V_{BOOST} Derived from V_{SHUNT} 18 V to 1.5 V /1 A

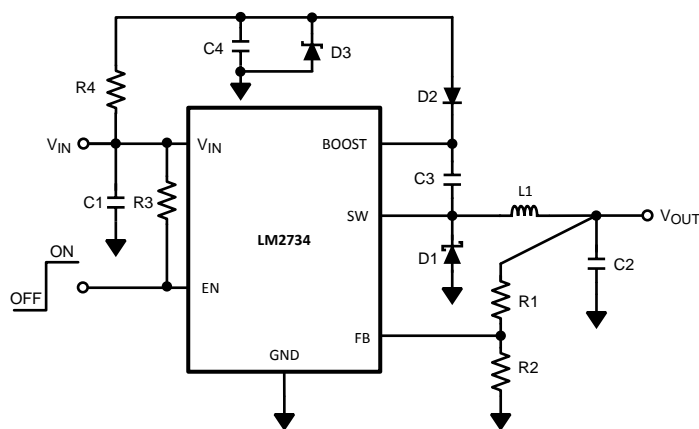


Figure 24. LM2734X (1.6 MHz) V_{BOOST} Derived from V_{SHUNT} 18 V to 1.5 V /1-A Schematic

8.2.3.1 Design Requirements

An alternative method when V_{IN} is greater than 5.5 V is to place the zener diode D3 in a shunt configuration. A small 350 mW to 500 mW 5.1 V zener in a SOT or SOD package can be used for this purpose. A small ceramic capacitor such as a 6.3 V, 0.1 μ F capacitor (C4) should be placed in parallel with the zener diode. When the internal NMOS switch turns on, a pulse of current is drawn to charge the internal NMOS gate capacitance. The 0.1 μ F parallel shunt capacitor ensures that the V_{BOOST} voltage is maintained during this time.

8.2.3.2 Detailed Design Procedure

See [Detailed Design Procedure](#).

Table 3. Bill of Materials for Figure 24

| PART ID | PART VALUE | MANUFACTURER | PART NUMBER |
|-----------------|--|-------------------|------------------|
| U1 | 1-A Buck Regulator | Texas Instruments | LM2734X |
| C1, Input Cap | 10 μ F, 25 V, X7R | TDK | C3225X7R1E106M |
| C2, Output Cap | 22 μ F, 6.3 V, X5R | TDK | C3216X5ROJ226M |
| C3, Boost Cap | 0.01 μ F, 16 V, X7R | TDK | C1005X7R1C103K |
| C4, Shunt Cap | 0.1 μ F, 6.3 V, X5R | TDK | C1005X5R0J104K |
| D1, Catch Diode | 0.4 V _F Schottky 1 A, 30 VR | Vishay | SS1P3L |
| D2, Boost Diode | 1 V _F @ 50-mA Diode | Diodes, Inc. | 1N4148W |
| D3, Zener Diode | 5.1 V 250 Mw SOT | Vishay | BZX84C5V1 |
| L1 | 6.8 μ H, 1.6 A, | TDK | SLF7032T-6R8M1R6 |
| R1 | 8.87 k Ω , 1% | Vishay | CRCW06038871F |
| R2 | 10.2 k Ω , 1% | Vishay | CRCW06031022F |
| R3 | 100 k Ω , 1% | Vishay | CRCW06031003F |
| R4 | 4.12 k Ω , 1% | Vishay | CRCW06034121F |

8.2.3.3 Application Curves

See [Application Curves](#).

8.2.4 LM2734X (1.6 MHz) V_{BOOST} Derived from Series Zener Diode (V_{IN}) 15 V to 1.5 V / 1 A

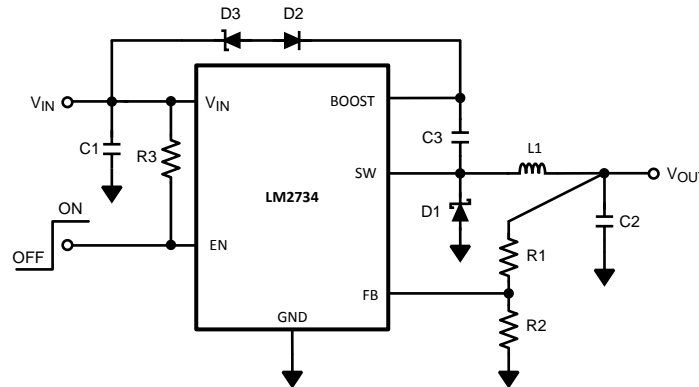


Figure 25. LM2734X (1.6 MHz) V_{BOOST} Derived from Series Zener Diode (V_{IN}) 15 V to 1.5 V / 1-A Schematic

8.2.4.1 Design Requirements

In applications where both V_{IN} and V_{OUT} are greater than 5.5 V, or less than 3 V, C_{BOOST} cannot be charged directly from these voltages. If V_{IN} is greater than 5.5 V, C_{BOOST} can be charged from V_{IN} minus a zener voltage by placing a zener diode D3 in series with D2. When using a series zener diode from the input, ensure that the regulation of the input supply doesn't create a voltage that falls outside the recommended V_{BOOST} voltage.

$$(V_{INMAX} - V_{D3}) < 5.5 \text{ V} \tag{26}$$

$$(V_{INMIN} - V_{D3}) > 1.6 \text{ V} \tag{27}$$

8.2.4.2 Detailed Design Procedure

See [Detailed Design Procedure](#).

Table 4. Bill of Materials for Figure 25

| PART ID | PART VALUE | MANUFACTURER | PART NUMBER |
|-----------------|-------------------------------|-------------------|------------------|
| U1 | 1-A Buck Regulator | Texas Instruments | LM2734X |
| C1, Input Cap | 10 μ F, 25V, X7R | TDK | C3225X7R1E106M |
| C2, Output Cap | 22 μ F, 6.3 V, X5R | TDK | C3216X5ROJ226M |
| C3, Boost Cap | 0.01 μ F, 16 V, X7R | TDK | C1005X7R1C103K |
| D1, Catch Diode | 0.4 V_F Schottky 1 A, 30 VR | Vishay | SS1P3L |
| D2, Boost Diode | 1 V_F @ 50-mA Diode | Diodes, Inc. | 1N4148W |
| D3, Zener Diode | 11 V 350 Mw SOT | Diodes, Inc. | BZX84C11T |
| L1 | 6.8 μ H, 1.6 A, | TDK | SLF7032T-6R8M1R6 |
| R1 | 8.87 k Ω , 1% | Vishay | CRCW06038871F |
| R2 | 10.2 k Ω , 1% | Vishay | CRCW06031022F |
| R3 | 100 k Ω , 1% | Vishay | CRCW06031003F |

8.2.4.3 Application Curves

See [Application Curves](#).

8.2.5 LM2734X (1.6 MHz) V_{BOOST} Derived from Series Zener Diode (V_{OUT}) 15 V to 9 V /1 A

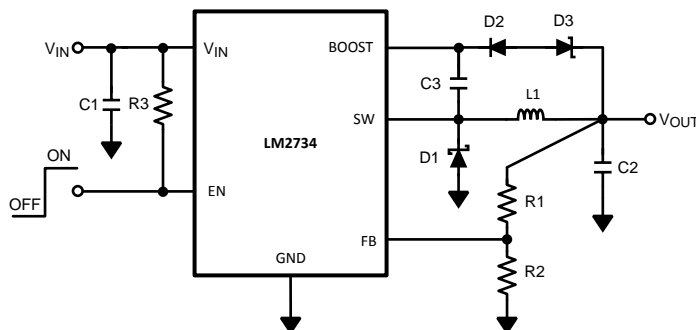


Figure 26. LM2734X (1.6 MHz) V_{BOOST} Derived from Series Zener Diode (V_{OUT}) 15 V to 9 V /1-A Schematic

8.2.5.1 Design Requirements

In applications where both V_{IN} and V_{OUT} are greater than 5.5 V, or less than 3 V, C_{BOOST} cannot be charged directly from these voltages. If V_{IN} and V_{OUT} are greater than 5.5 V, C_{BOOST} can be charged from V_{OUT} minus a zener voltage by placing a zener diode D3 in series with D2.

8.2.5.2 Detailed Design Procedure

See [Detailed Design Procedure](#).

Table 5. Bill of Materials for Figure 26

| PART ID | PART VALUE | MANUFACTURER | PART NUMBER |
|-----------------|--|-------------------|------------------|
| U1 | 1-A Buck Regulator | Texas Instruments | LM2734X |
| C1, Input Cap | 10 μF , 25 V, X7R | TDK | C3225X7R1E106M |
| C2, Output Cap | 22 μF , 16 V, X5R | TDK | C3216X5R1C226M |
| C3, Boost Cap | 0.01 μF , 16 V, X7R | TDK | C1005X7R1C103K |
| D1, Catch Diode | 0.4 V_{F} Schottky 1 A, 30 VR | Vishay | SS1P3L |
| D2, Boost Diode | 1 V_{F} @ 50-mA Diode | Diodes, Inc. | 1N4148W |
| D3, Zener Diode | 4.3 V 350-mw SOT | Diodes, Inc. | BZX84C4V3 |
| L1 | 6.8 μH , 1.6 A, | TDK | SLF7032T-6R8M1R6 |
| R1 | 102 k Ω , 1% | Vishay | CRCW06031023F |
| R2 | 10.2 k Ω , 1% | Vishay | CRCW06031022F |
| R3 | 100 k Ω , 1% | Vishay | CRCW06031003F |

8.2.5.3 Application Curves

See [Application Curves](#).

8.2.6 LM2734Y (550 kHz) V_{BOOST} Derived from V_{IN} 5 V to 1.5 V / 1 A

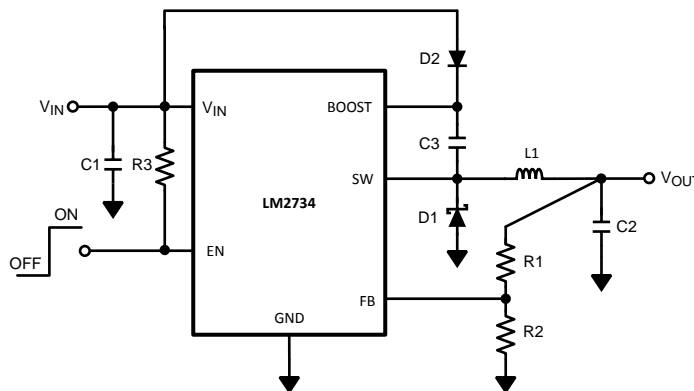


Figure 27. LM2734Y (550 kHz) V_{BOOST} Derived from V_{IN} 5 V to 1.5 V / 1-A Schematic

8.2.6.1 Design Requirements

Derive charge for V_{BOOST} from the input supply (V_{IN}). $V_{BOOST} - V_{SW}$ should not exceed the maximum operating limit of 5.5 V.

8.2.6.2 Detailed Design Procedure

See [Detailed Design Procedure](#).

Table 6. Bill of Materials for Figure 27

| PART ID | PART VALUE | MANUFACTURER | PART NUMBER |
|-----------------|-------------------------------|-------------------|------------------|
| U1 | 1-A Buck Regulator | Texas Instruments | LM2734Y |
| C1, Input Cap | 10 μ F, 6.3 V, X5R | TDK | C3216X5ROJ106M |
| C2, Output Cap | 22 μ F, 6.3 V, X5R | TDK | C3216X5ROJ226M |
| C3, Boost Cap | 0.01 μ F, 16 V, X7R | TDK | C1005X7R1C103K |
| D1, Catch Diode | 0.3 V_F Schottky 1 A, 10 VR | ON Semi | MBRM110L |
| D2, Boost Diode | 1 V_F @ 50-mA Diode | Diodes, Inc. | 1N4148W |
| L1 | 10 μ H, 1.6 A, | TDK | SLF7032T-100M1R4 |
| R1 | 8.87 k Ω , 1% | Vishay | CRCW06038871F |
| R2 | 10.2 k Ω , 1% | Vishay | CRCW06031022F |
| R3 | 100 k Ω , 1% | Vishay | CRCW06031003F |

8.2.6.3 Application Curves

See [Application Curves](#).

8.2.7 LM2734Y (550 kHz) V_{BOOST} Derived from V_{OUT} 12 V to 3.3 V / 1 A

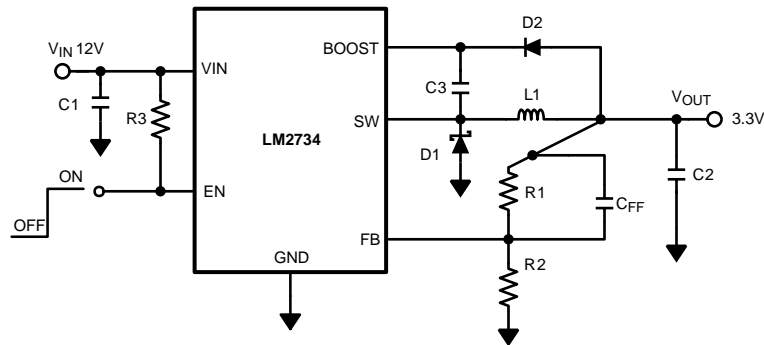


Figure 28. LM2734Y (550 kHz) V_{BOOST} Derived from V_{OUT} 12 V to 3.3 V / 1 A Schematic

8.2.7.1 Design Requirements

Derive charge for V_{BOOST} from the output voltage, (V_{OUT}). The output voltage should be between 2.5 V and 5.5 V.

8.2.7.2 Detailed Design Procedure

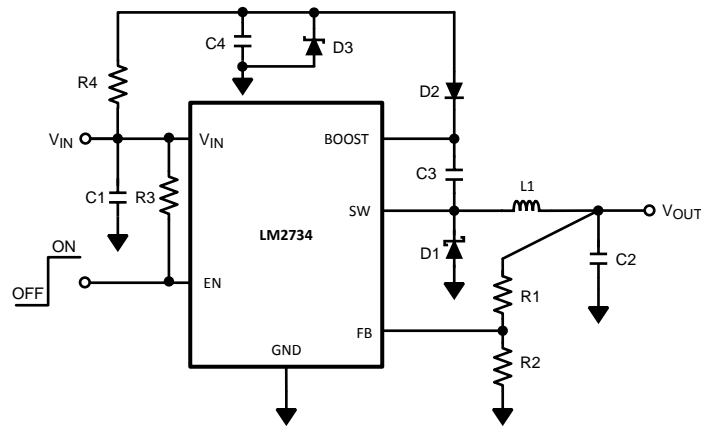
See [Detailed Design Procedure](#).

Table 7. Bill of Materials for [Figure 28](#)

| PART ID | PART VALUE | MANUFACTURER | PART NUMBER |
|-----------------|--------------------------------|-------------------|------------------|
| U1 | 1-A Buck Regulator | Texas Instruments | LM2734Y |
| C1, Input Cap | 10 μF , 25 V, X7R | TDK | C3225X7R1E106M |
| C2, Output Cap | 22 μF , 6.3 V, X5R | TDK | C3216X5ROJ226M |
| C3, Boost Cap | 0.01 μF , 16 V, X7R | TDK | C1005X7R1C103K |
| D1, Catch Diode | 0.34 V_F Schottky 1 A, 30VR | Vishay | SS1P3L |
| D2, Boost Diode | 0.6 V_F @ 30-mA Diode | Vishay | BAT17 |
| L1 | 10 μH , 1.6 A | TDK | SLF7032T-100M1R4 |
| R1 | 31.6 k Ω , 1% | Vishay | CRCW06033162F |
| R2 | 10.0 k Ω , 1% | Vishay | CRCW06031002F |
| R3 | 100 k Ω , 1% | Vishay | CRCW06031003F |

8.2.7.3 Application Curves

See [Application Curves](#).

8.2.8 LM2734Y (550 kHz) V_{BOOST} Derived from V_{SHUNT} 18 V to 1.5 V / 1 A

Figure 29. LM2734Y (550 kHz) V_{BOOST} Derived from V_{SHUNT} 18 V to 1.5 V / 1-A
8.2.8.1 Design Requirements

An alternative method when V_{IN} is greater than 5.5 V is to place the zener diode D3 in a shunt configuration. A small 350 mW to 500 mW 5.1 V zener in a SOT or SOD package can be used for this purpose. A small ceramic capacitor such as a 6.3 V, 0.1 μ F capacitor (C4) should be placed in parallel with the zener diode. When the internal NMOS switch turns on, a pulse of current is drawn to charge the internal NMOS gate capacitance. The 0.1 μ F parallel shunt capacitor ensures that the V_{BOOST} voltage is maintained during this time.

8.2.8.2 Detailed Design Procedure

See [Detailed Design Procedure](#).

Table 8. Bill of Materials for Figure 29

| PART ID | PART VALUE | MANUFACTURER | PART NUMBER |
|-----------------|------------------------------|-------------------|------------------|
| U1 | 1-A Buck Regulator | Texas Instruments | LM2734Y |
| C1, Input Cap | 10 μ F, 25 V, X7R | TDK | C3225X7R1E106M |
| C2, Output Cap | 22 μ F, 6.3 V, X5R | TDK | C3216X5ROJ226M |
| C3, Boost Cap | 0.01 μ F, 16 V, X7R | TDK | C1005X7R1C103K |
| C4, Shunt Cap | 0.1 μ F, 6.3 V, X5R | TDK | C1005X5R0J104K |
| D1, Catch Diode | 0.4 V_F Schottky 1 A, 30VR | Vishay | SS1P3L |
| D2, Boost Diode | 1 V_F @ 50-mA Diode | Diodes, Inc. | 1N4148W |
| D3, Zener Diode | 5.1 V 250 Mw SOT | Vishay | BZX84C5V1 |
| L1 | 15 μ H, 1.5 A | TDK | SLF7045T-150M1R5 |
| R1 | 8.87 k Ω , 1% | Vishay | CRCW06038871F |
| R2 | 10.2 k Ω , 1% | Vishay | CRCW06031022F |
| R3 | 100 k Ω , 1% | Vishay | CRCW06031003F |
| R4 | 4.12 k Ω , 1% | Vishay | CRCW06034121F |

8.2.8.3 Application Curves

See [Application Curves](#).

8.2.9 LM2734Y (550 kHz) V_{BOOST} Derived from Series Zener Diode (V_{IN}) 15 V to 1.5 V / 1 A

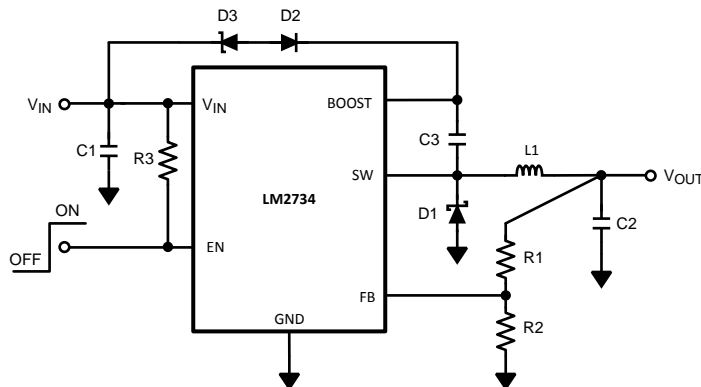


Figure 30. LM2734Y (550 kHz) V_{BOOST} Derived from Series Zener Diode (V_{IN}) 15 V to 1.5 V / 1-A Schematic

8.2.9.1 Design Requirements

In applications where both V_{IN} and V_{OUT} are greater than 5.5 V, or less than 3 V, C_{BOOST} cannot be charged directly from these voltages. If V_{IN} is greater than 5.5 V, C_{BOOST} can be charged from V_{IN} minus a zener voltage by placing a zener diode D3 in series with D2. When using a series zener diode from the input, ensure that the regulation of the input supply doesn't create a voltage that falls outside the recommended V_{BOOST} voltage.

$$(V_{\text{INMAX}} - V_{\text{D3}}) < 5.5 \text{ V} \quad (28)$$

$$(V_{\text{INMIN}} - V_{\text{D3}}) > 1.6 \text{ V} \quad (29)$$

8.2.9.2 Detailed Design Procedure

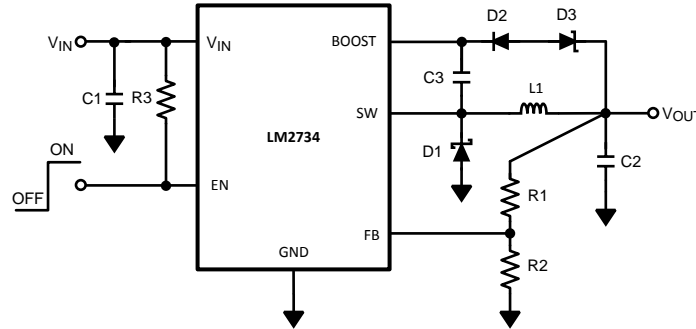
See [Detailed Design Procedure](#).

Table 9. Bill of Materials for Figure 30

| PART ID | PART VALUE | MANUFACTURER | PART NUMBER |
|-----------------|--|-------------------|------------------|
| U1 | 1-A Buck Regulator | Texas Instruments | LM2734Y |
| C1, Input Cap | 10 μF , 25 V, X7R | TDK | C3225X7R1E106M |
| C2, Output Cap | 22 μF , 6.3 V, X5R | TDK | C3216X5ROJ226M |
| C3, Boost Cap | 0.01 μF , 16 V, X7R | TDK | C1005X7R1C103K |
| D1, Catch Diode | 0.4 V_{F} Schottky 1 A, 30 VR | Vishay | SS1P3L |
| D2, Boost Diode | 1 V_{F} @ 50-mA Diode | Diodes, Inc. | 1N4148W |
| D3, Zener Diode | 11 V 350 Mw SOT | Diodes, Inc. | BZX84C11T |
| L1 | 15 μH , 1.5 A, | TDK | SLF7045T-150M1R5 |
| R1 | 8.87 $\text{k}\Omega$, 1% | Vishay | CRCW06038871F |
| R2 | 10.2 $\text{k}\Omega$, 1% | Vishay | CRCW06031022F |
| R3 | 100 $\text{k}\Omega$, 1% | Vishay | CRCW06031003F |

8.2.9.3 Application Curves

See [Application Curves](#).

8.2.10 LM2734Y (550 kHz) V_{BOOST} Derived from Series Zener Diode (V_{OUT}) 15 V to 9 V / 1 A

Figure 31. LM2734Y (550 kHz) V_{BOOST} Derived from Series Zener Diode (V_{OUT}) 15 V to 9 V / 1-A
8.2.10.1 Design Requirements

In applications where both V_{IN} and V_{OUT} are greater than 5.5 V, or less than 3 V, C_{BOOST} cannot be charged directly from these voltages. If V_{IN} and V_{OUT} are greater than 5.5 V, C_{BOOST} can be charged from V_{OUT} minus a zener voltage by placing a zener diode D3 in series with D2.

8.2.10.2 Detailed Design Procedure

See [Detailed Design Procedure](#).

Table 10. Bill of Materials for Figure 31

| PART ID | PART VALUE | MANUFACTURER | PART NUMBER |
|-----------------|-------------------------------|-------------------|----------------------|
| U1 | 1-A Buck Regulator | Texas Instruments | LM2734Y |
| C1, Input Cap | 10 μ F, 25 V, X7R | TDK | C3225X7R1E106M |
| C2, Output Cap | 22 μ F, 16 V, X5R | TDK | C3216X5R1C226M |
| C3, Boost Cap | 0.01 μ F, 16 V, X7R | TDK | C1005X7R1C103K |
| D1, Catch Diode | 0.4 V_F Schottky 1 A, 30 VR | Vishay | SS1P3L |
| D2, Boost Diode | 1 V_F @ 50-mA Diode | Diodes, Inc. | 1N4148W |
| D3, Zener Diode | 4.3 V 350 Mw SOT | Diodes, Inc. | BZX84C4V3 |
| L1 | 22 μ H, 1.4 A, | TDK | SLF7045T-220M1R3-1PF |
| R1 | 102 k Ω , 1% | Vishay | CRCW06031023F |
| R2 | 10.2k Ω , 1% | Vishay | CRCW06031022F |
| R3 | 100k Ω , 1% | Vishay | CRCW06031003F |

8.2.10.3 Application Curves

See [Application Curves](#).

9 Power Supply Recommendations

Input voltage is rated as 3 V to 18 V; however, care must be taken in certain circuit configurations (for example, V_{BOOST} derived from V_{IN} where the requirement that $V_{\text{BOOST}} - V_{\text{SW}} < 5.5$ V should be observed) Also, for best efficiency V_{BOOST} should be at least 2.5-V above V_{SW} .

The voltage on the Enable pin should not exceed V_{IN} by more than 0.3 V.

10 Layout

10.1 Layout Guidelines

When planning layout there are a few things to consider when trying to achieve a clean, regulated output. The most important consideration when completing the layout is the close coupling of the GND connections of the C_{IN} capacitor and the catch diode D1. These ground ends should be close to one another and be connected to the GND plane with at least two through-holes. Place these components as close to the IC as possible. Next in importance is the location of the GND connection of the C_{OUT} capacitor, which should be near the GND connections of C_{IN} and D1.

There should be a continuous ground plane on the bottom layer of a two-layer board except under the switching node island.

The FB pin is a high-impedance node — take care to make the FB trace short to avoid noise pickup and inaccurate regulation. The feedback resistors should be placed as close as possible to the IC, with the GND of R2 placed as close as possible to the GND of the IC. The V_{OUT} trace to R1 should be routed away from the inductor and any other traces that are switching.

High AC currents flow through the V_{IN} , SW and V_{OUT} traces, so they should be as short and wide as possible. However, making the traces wide increases radiated noise, so the designer must make this trade-off. Radiated noise can be decreased by choosing a shielded inductor.

The remaining components should also be placed as close as possible to the IC. See Application Note AN-1229 ([SNVA054](#)) for further considerations and the LM2734-Q1 demo board as an example of a four-layer layout.

10.2 Layout Example

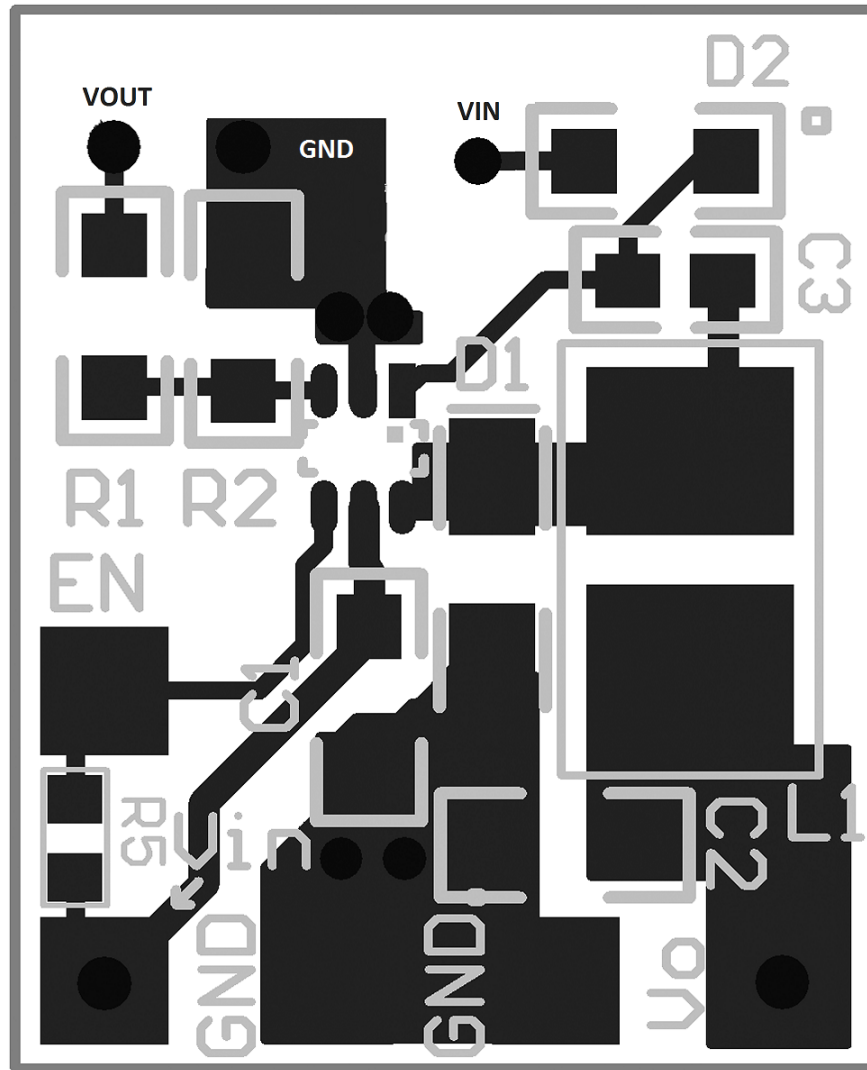


Figure 32. Top Layer

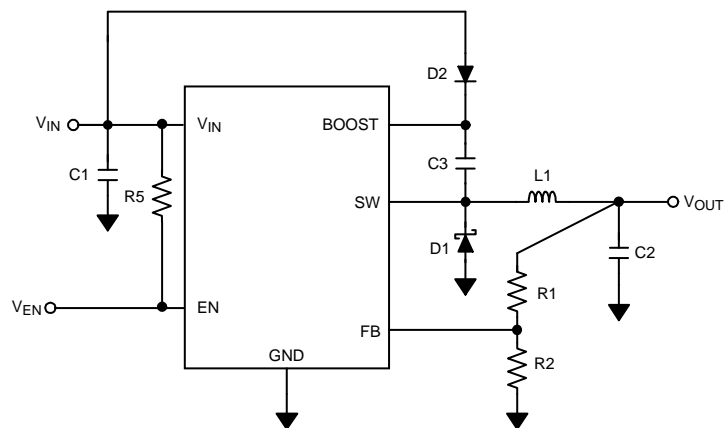


Figure 33. Layout Schematic

11 器件和文档支持

11.1 开发支持

11.1.1 使用 WEBENCH® 工具创建定制设计

请单击[此处](#)，使用 LM2734-Q1 器件并借助 WEBENCH® 电源设计器创建定制设计。

1. 首先输入输入电压 (V_{IN})、输出电压 (V_{OUT}) 和输出电流 (I_{OUT}) 要求。
2. 使用优化器拨盘优化该设计的关键参数，如效率、尺寸和成本。
3. 将生成的设计与德州仪器 (TI) 的其他可行的解决方案进行比较。

WEBENCH 电源设计器可提供定制原理图以及罗列实时价格和组件供货情况的物料清单。

在多数情况下，可执行以下操作：

- 运行电气仿真，观察重要波形以及电路性能
- 运行热性能仿真，了解电路板热性能
- 将定制原理图和布局方案以常用 CAD 格式导出
- 打印设计方案的 PDF 报告并与同事共享

有关 WEBENCH 工具的详细信息，请访问 www.ti.com.cn/WEBENCH。

11.2 接收文档更新通知

要接收文档更新通知，请导航至 TI.com.cn 上的器件产品文件夹。单击右上角的 [通知我](#) 进行注册，即可每周接收产品信息更改摘要。有关更改的详细信息，请查看任何已修订文档中包含的修订历史记录。

11.3 社区资源

下列链接提供到 TI 社区资源的连接。链接的内容由各个分销商“按照原样”提供。这些内容并不构成 TI 技术规范，并且不一定反映 TI 的观点；请参阅 TI 的 [《使用条款》](#)。

TI E2E™ 在线社区 [TI 的工程师对工程师 \(E2E\) 社区](#)。此社区的创建目的在于促进工程师之间的协作。在 e2e.ti.com 中，您可以咨询问题、分享知识、拓展思路并与同行工程师一道帮助解决问题。

设计支持 [TI 参考设计支持](#) 可帮助您快速查找有帮助的 E2E 论坛、设计支持工具以及技术支持的联系信息。

11.4 第三方产品免责声明

TI 发布的与第三方产品或服务有关的信息，不能构成与此类产品或服务或保修的适用性有关的认可，不能构成此类产品或服务单独或与任何 TI 产品或服务一起的表示或认可。

11.5 商标

E2E is a trademark of Texas Instruments.

WEBENCH is a registered trademark of Texas Instruments.

All other trademarks are the property of their respective owners.

11.6 静电放电警告



这些装置包含有限的内置 ESD 保护。存储或装卸时，应将导线一起截短或将装置放置于导电泡棉中，以防止 MOS 门极遭受静电损伤。

11.7 术语表

[SLYZ022](#) — TI 术语表。

这份术语表列出并解释术语、缩写和定义。

12 机械、封装和可订购信息

以下页面包含机械、封装和可订购信息。这些信息是指定器件的最新可用数据。数据如有变更，恕不另行通知，且不会对此文档进行修订。如需获取此数据表的浏览器版本，请查阅左侧的导航栏。

PACKAGING INFORMATION

| Orderable part number | Status (1) | Material type (2) | Package Pins | Package qty Carrier | RoHS (3) | Lead finish/ Ball material (4) | MSL rating/ Peak reflow (5) | Op temp (°C) | Part marking (6) |
|----------------------------------|---------------|----------------------|-----------------------|-----------------------|-------------|--------------------------------------|-----------------------------------|--------------|---------------------|
| LM2734XQMK/NOPB | Active | Production | SOT-23-THIN (DDC) 6 | 1000 SMALL T&R | Yes | SN | Level-1-260C-UNLIM | -40 to 125 | SUKB |
| LM2734XQMK/NOPB.A | Active | Production | SOT-23-THIN (DDC) 6 | 1000 SMALL T&R | Yes | SN | Level-1-260C-UNLIM | -40 to 125 | SUKB |
| LM2734XQMKE/NOPB | Active | Production | SOT-23-THIN (DDC) 6 | 250 SMALL T&R | Yes | SN | Level-1-260C-UNLIM | -40 to 125 | SUKB |
| LM2734XQMKE/NOPB.A | Active | Production | SOT-23-THIN (DDC) 6 | 250 SMALL T&R | Yes | SN | Level-1-260C-UNLIM | -40 to 125 | SUKB |
| LM2734XQMKG/NOPB | Active | Production | SOT-23-THIN (DDC) 6 | 3000 LARGE T&R | Yes | SN | Level-1-260C-UNLIM | -40 to 125 | SUKB |
| LM2734XQMKG/NOPB.A | Active | Production | SOT-23-THIN (DDC) 6 | 3000 LARGE T&R | Yes | SN | Level-1-260C-UNLIM | -40 to 125 | SUKB |
| LM2734YQMK/NOPB | Active | Production | SOT-23-THIN (DDC) 6 | 1000 SMALL T&R | Yes | SN | Level-1-260C-UNLIM | -40 to 125 | SVCB |
| LM2734YQMK/NOPB.A | Active | Production | SOT-23-THIN (DDC) 6 | 1000 SMALL T&R | Yes | SN | Level-1-260C-UNLIM | -40 to 125 | SVCB |
| LM2734YQMKE/NOPB | Active | Production | SOT-23-THIN (DDC) 6 | 250 SMALL T&R | Yes | SN | Level-1-260C-UNLIM | -40 to 125 | SVCB |
| LM2734YQMKE/NOPB.A | Active | Production | SOT-23-THIN (DDC) 6 | 250 SMALL T&R | Yes | SN | Level-1-260C-UNLIM | -40 to 125 | SVCB |
| LM2734YQMKG/NOPB | Active | Production | SOT-23-THIN (DDC) 6 | 3000 LARGE T&R | Yes | SN | Level-1-260C-UNLIM | -40 to 125 | SVCB |
| LM2734YQMKG/NOPB.A | Active | Production | SOT-23-THIN (DDC) 6 | 3000 LARGE T&R | Yes | SN | Level-1-260C-UNLIM | -40 to 125 | SVCB |

(1) **Status:** For more details on status, see our [product life cycle](#).

(2) **Material type:** When designated, preproduction parts are prototypes/experimental devices, and are not yet approved or released for full production. Testing and final process, including without limitation quality assurance, reliability performance testing, and/or process qualification, may not yet be complete, and this item is subject to further changes or possible discontinuation. If available for ordering, purchases will be subject to an additional waiver at checkout, and are intended for early internal evaluation purposes only. These items are sold without warranties of any kind.

(3) **RoHS values:** Yes, No, RoHS Exempt. See the [TI RoHS Statement](#) for additional information and value definition.

(4) **Lead finish/Ball material:** Parts may have multiple material finish options. Finish options are separated by a vertical ruled line. Lead finish/Ball material values may wrap to two lines if the finish value exceeds the maximum column width.

(5) **MSL rating/Peak reflow:** The moisture sensitivity level ratings and peak solder (reflow) temperatures. In the event that a part has multiple moisture sensitivity ratings, only the lowest level per JEDEC standards is shown. Refer to the shipping label for the actual reflow temperature that will be used to mount the part to the printed circuit board.

(6) **Part marking:** There may be an additional marking, which relates to the logo, the lot trace code information, or the environmental category of the part.

Multiple part markings will be inside parentheses. Only one part marking contained in parentheses and separated by a "~" will appear on a part. If a line is indented then it is a continuation of the previous line and the two combined represent the entire part marking for that device.

Important Information and Disclaimer:The information provided on this page represents TI's knowledge and belief as of the date that it is provided. TI bases its knowledge and belief on information provided by third parties, and makes no representation or warranty as to the accuracy of such information. Efforts are underway to better integrate information from third parties. TI has taken and continues to take reasonable steps to provide representative and accurate information but may not have conducted destructive testing or chemical analysis on incoming materials and chemicals. TI and TI suppliers consider certain information to be proprietary, and thus CAS numbers and other limited information may not be available for release.

In no event shall TI's liability arising out of such information exceed the total purchase price of the TI part(s) at issue in this document sold by TI to Customer on an annual basis.

OTHER QUALIFIED VERSIONS OF LM2734-Q1 :

- Catalog : [LM2734](#)

NOTE: Qualified Version Definitions:

- Catalog - TI's standard catalog product

TAPE AND REEL INFORMATION

QUADRANT ASSIGNMENTS FOR PIN 1 ORIENTATION IN TAPE


*All dimensions are nominal

| Device | Package Type | Package Drawing | Pins | SPQ | Reel Diameter (mm) | Reel Width W1 (mm) | A0 (mm) | B0 (mm) | K0 (mm) | P1 (mm) | W (mm) | Pin1 Quadrant |
|------------------|--------------|-----------------|------|------|--------------------|--------------------|---------|---------|---------|---------|--------|---------------|
| LM2734XQMK/NOPB | SOT-23-THIN | DDC | 6 | 1000 | 178.0 | 8.4 | 3.2 | 3.2 | 1.4 | 4.0 | 8.0 | Q3 |
| LM2734XQMKE/NOPB | SOT-23-THIN | DDC | 6 | 250 | 178.0 | 8.4 | 3.2 | 3.2 | 1.4 | 4.0 | 8.0 | Q3 |
| LM2734XQMKX/NOPB | SOT-23-THIN | DDC | 6 | 3000 | 178.0 | 8.4 | 3.2 | 3.2 | 1.4 | 4.0 | 8.0 | Q3 |
| LM2734YQMK/NOPB | SOT-23-THIN | DDC | 6 | 1000 | 178.0 | 8.4 | 3.2 | 3.2 | 1.4 | 4.0 | 8.0 | Q3 |
| LM2734YQMKE/NOPB | SOT-23-THIN | DDC | 6 | 250 | 178.0 | 8.4 | 3.2 | 3.2 | 1.4 | 4.0 | 8.0 | Q3 |
| LM2734YQMKX/NOPB | SOT-23-THIN | DDC | 6 | 3000 | 178.0 | 8.4 | 3.2 | 3.2 | 1.4 | 4.0 | 8.0 | Q3 |

TAPE AND REEL BOX DIMENSIONS


*All dimensions are nominal

| Device | Package Type | Package Drawing | Pins | SPQ | Length (mm) | Width (mm) | Height (mm) |
|------------------|--------------|-----------------|------|------|-------------|------------|-------------|
| LM2734XQMK/NOPB | SOT-23-THIN | DDC | 6 | 1000 | 210.0 | 185.0 | 35.0 |
| LM2734XQMKE/NOPB | SOT-23-THIN | DDC | 6 | 250 | 210.0 | 185.0 | 35.0 |
| LM2734XQMXX/NOPB | SOT-23-THIN | DDC | 6 | 3000 | 210.0 | 185.0 | 35.0 |
| LM2734YQMK/NOPB | SOT-23-THIN | DDC | 6 | 1000 | 210.0 | 185.0 | 35.0 |
| LM2734YQMKE/NOPB | SOT-23-THIN | DDC | 6 | 250 | 210.0 | 185.0 | 35.0 |
| LM2734YQMXX/NOPB | SOT-23-THIN | DDC | 6 | 3000 | 210.0 | 185.0 | 35.0 |

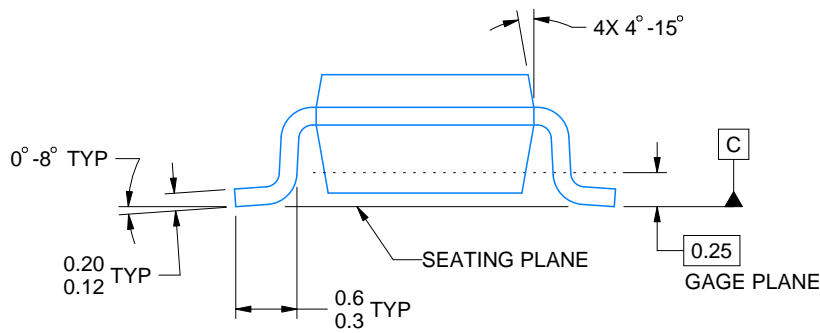
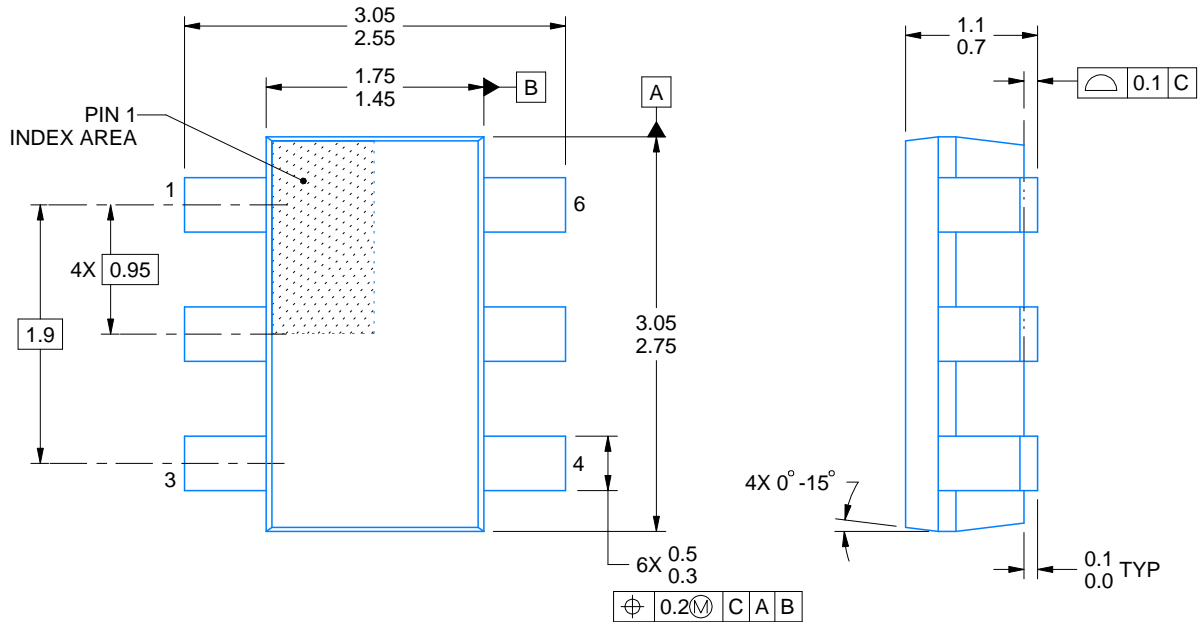
DDC0006A



PACKAGE OUTLINE

SOT-23 - 1.1 max height

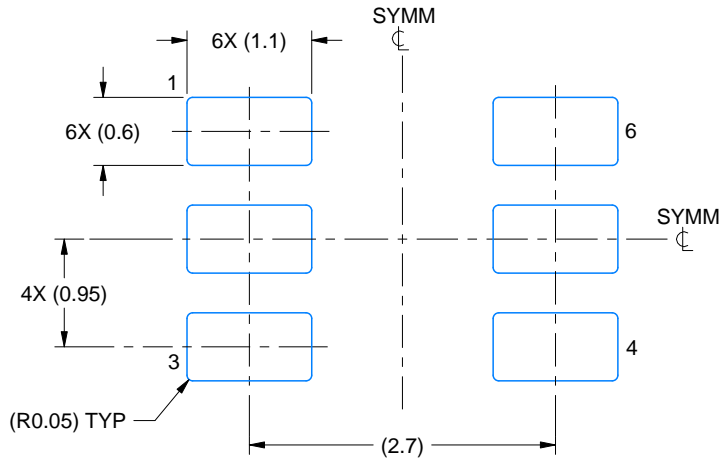
SMALL OUTLINE TRANSISTOR



4214841/E 08/2024

NOTES:

1. All linear dimensions are in millimeters. Any dimensions in parenthesis are for reference only. Dimensioning and tolerancing per ASME Y14.5M.
2. This drawing is subject to change without notice.
3. Reference JEDEC MO-193.



LAND PATTERN EXAMPLE
EXPLODED METAL SHOWN
SCALE:15X



SOLDEMASK DETAILS

4214841/E 08/2024

NOTES: (continued)

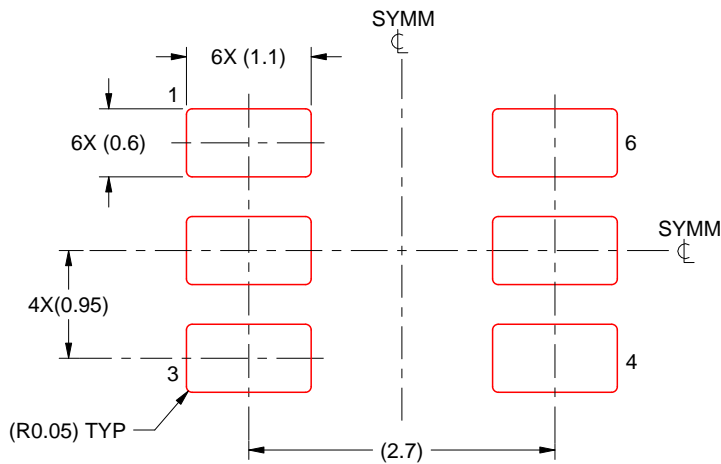
- 4. Publication IPC-7351 may have alternate designs.
- 5. Solder mask tolerances between and around signal pads can vary based on board fabrication site.

EXAMPLE STENCIL DESIGN

DDC0006A

SOT-23 - 1.1 max height

SMALL OUTLINE TRANSISTOR



SOLDER PASTE EXAMPLE
BASED ON 0.125 THICK STENCIL
SCALE:15X

4214841/E 08/2024

NOTES: (continued)

6. Laser cutting apertures with trapezoidal walls and rounded corners may offer better paste release. IPC-7525 may have alternate design recommendations.
7. Board assembly site may have different recommendations for stencil design.

重要通知和免责声明

TI“按原样”提供技术和可靠性数据（包括数据表）、设计资源（包括参考设计）、应用或其他设计建议、网络工具、安全信息和其他资源，不保证没有瑕疵且不做出任何明示或暗示的担保，包括但不限于对适销性、与某特定用途的适用性或不侵犯任何第三方知识产权的暗示担保。

这些资源可供使用 TI 产品进行设计的熟练开发人员使用。您将自行承担以下全部责任：(1) 针对您的应用选择合适的 TI 产品，(2) 设计、验证并测试您的应用，(3) 确保您的应用满足相应标准以及任何其他安全、安保法规或其他要求。

这些资源如有变更，恕不另行通知。TI 授权您仅可将这些资源用于研发本资源所述的 TI 产品的相关应用。严禁以其他方式对这些资源进行复制或展示。您无权使用任何其他 TI 知识产权或任何第三方知识产权。对于因您对这些资源的使用而对 TI 及其代表造成的任何索赔、损害、成本、损失和债务，您将全额赔偿，TI 对此概不负责。

TI 提供的产品受 [TI 销售条款](#)、[TI 通用质量指南](#) 或 [ti.com](#) 上其他适用条款或 TI 产品随附的其他适用条款的约束。TI 提供这些资源并不会扩展或以其他方式更改 TI 针对 TI 产品发布的适用的担保或担保免责声明。除非德州仪器 (TI) 明确将某产品指定为定制产品或客户特定产品，否则其产品均为按确定价格收入目录的标准通用器件。

TI 反对并拒绝您可能提出的任何其他或不同的条款。

版权所有 © 2025，德州仪器 (TI) 公司

最后更新日期：2025 年 10 月