

## LM3406 1.5-A, Constant Current, Buck Regulator for Driving High Power LEDs

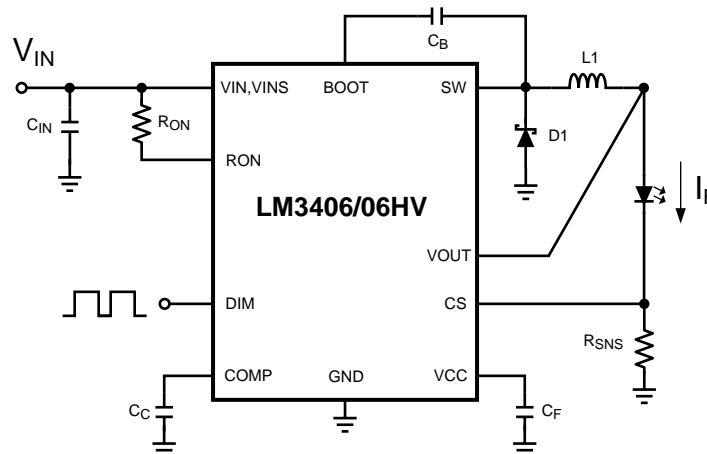
### 1 FEATURES

- LM3406HV-Q1
  - Automotive Grade Device
  - AEC-Q100 Grade 1 Qualified
  - Operating Ambient Temperature:  $-40^{\circ}\text{C}$  to  $125^{\circ}\text{C}$
- Integrated 2.0A MOSFET
- $V_{\text{IN}}$  Range 6V to 42V (LM3406)
- $V_{\text{IN}}$  Range 6V to 75V (LM3406HV)
- $V_{\text{IN}}$  Range 6V to 75V (LM3406HV-Q1)
- True Average Output Current Control
- 1.7A Minimum Output Current Limit Over Temperature
- Cycle-by-Cycle Current Limit
- PWM Dimming with Dedicated Logic Input
- PWM Dimming with Power Input Voltage
- Simple Control Loop Compensation
- Low Power Shutdown
- Supports All-Ceramic Output Capacitors and Capacitor-less Outputs
- Thermal Shutdown Protection
- TSSOP-14 Package

### 2 APPLICATIONS

- LED Driver
- Constant Current Source
- Automotive Lighting
- General Illumination
- Industrial Lighting

#### 3.1 TYPICAL APPLICATION



### 3 DESCRIPTION

The LM3406 family are monolithic switching regulators designed to deliver constant currents to high power LEDs. Ideal for automotive, industrial, and general lighting applications, they contain a high-side N-channel MOSFET switch with a current limit of 2.0A (typical) for step-down (Buck) regulators. Controlled on-time with true average current and an external current sense resistor allow the converter output voltage to adjust as needed to deliver a constant current to series and series-parallel connected LED arrays of varying number and type. LED dimming via pulse width modulation (PWM) is achieved using a dedicated logic pin or by PWM of the power input voltage. The product feature set is rounded out with low-power shutdown and thermal shutdown protection.

The LM3406HV-Q1 is AEC-Q100 grade 1 qualified.

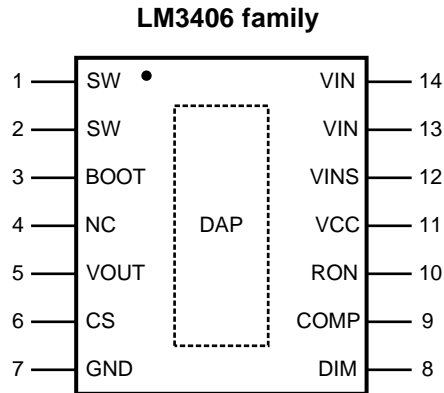


### 3.1 Electrostatic Discharge Caution



These devices have limited built-in ESD protection. The leads should be shorted together or the device placed in conductive foam during storage or handling to prevent electrostatic damage to the MOS gates.

### 3.1 CONNECTION DIAGRAM



**14-Lead Exposed Pad Plastic TSSOP Package  
See Package Number PWP0014A**

#### PIN DESCRIPTIONS

| Pin(s) | Name | Description                                | Application Information   |
|--------|------|--|---|
| 1,2    | SW   | Switch pin                                 | Connect these pins to the output inductor and Schottky diode.   |
| 3      | BOOT | MOSFET drive bootstrap pin                 | Connect a 22 nF ceramic capacitor from this pin to the SW pins.   |
| 4      | NC   | No Connect                                 | No internal connection. Leave this pin unconnected.   |
| 5      | VOUT | Output voltage sense pin                   | Connect this pin to the output node where the inductor and the first LED's anode connect.   |
| 6      | CS   | Current sense feedback pin                 | Set the current through the LED array by connecting a resistor from this pin to ground.   |
| 7      | GND  | Ground pin                                 | Connect this pin to system ground.  |
| 8      | DIM  | Input for PWM dimming                      | Connect a logic-level PWM signal to this pin to enable/disable the power MOSFET and reduce the average light output of the LED array. Logic high = output on, logic low - output off. |
| 9      | COMP | Error amplifier output                     | Connect a 0.1 $\mu$ F ceramic capacitor with X5R or X7R dielectric from this pin to ground.   |
| 10     | RON  | On-time control pin                        | A resistor connected from this pin to VIN sets the regulator controlled on-time.  |
| 11     | VCC  | Output of the internal 7V linear regulator | Bypass this pin to ground with a minimum 0.1 $\mu$ F ceramic capacitor with X5R or X7R dielectric.  |
| 12     | VINS | Input voltage PWM dimming comparator input | Connect this pin to the anode of the input diode to allow dimming by PWM of the input voltage   |
| 13,14  | VIN  | Input voltage pin                          | Nominal operating input range for this pin is 6V to 42V (LM3406) or 6V to 75V (LM3406HV, LM3406HV-Q1).  |
| DAP    | DAP  | Thermal Pad                                | Connect to ground. Place 4-6 vias from DAP to bottom layer ground plane.  |

## 4 ABSOLUTE MAXIMUM RATINGS <sup>(1)</sup>

If Military/Aerospace specified devices are required, contact the Texas Instruments Semiconductor Sales Office/ Distributors for availability and specifications.

|                                     |                       |                |
|-------------------------------------|-----------------------|----------------|
| VIN to GND                          | LM3406                | –0.3V to 45V   |
|                                     | LM3406HV, LM3406HV-Q1 | –0.3V to 76V   |
| VINS to GND                         | LM3406                | –0.3V to 45V   |
|                                     | LM3406HV, LM3406HV-Q1 | –0.3V to 76V   |
| VOUT to GND                         | LM3406                | –0.3V to 45V   |
|                                     | LM3406HV, LM3406HV-Q1 | –0.3V to 76V   |
| BOOT to GND                         | LM3406                | –0.3V to 59V   |
|                                     | LM3406HV, LM3406HV-Q1 | –0.3V to 76V   |
| SW to GND                           | LM3406                | –1.5V to 45V   |
|                                     | LM3406HV, LM3406HV-Q1 | –1.5V to 76V   |
| BOOT to VCC                         | LM3406                | –0.3V to 45V   |
|                                     | LM3406HV, LM3406HV-Q1 | –0.3V to 76V   |
| BOOT to SW                          |                       | –0.3V to 14V   |
| VCC to GND                          |                       | –0.3V to 14V   |
| DIM to GND                          |                       | –0.3V to 7V    |
| COMP to GND                         |                       | –0.3V to 7V    |
| CS to GND                           |                       | –0.3V to 7V    |
| RON to GND                          |                       | –0.3V to 7V    |
| Junction Temperature                |                       | 150°C          |
| Storage Temp. Range                 |                       | –65°C to 125°C |
| ESD Rating <sup>(2)</sup>           |                       | 2kV            |
| Soldering Information               |                       |                |
| Lead Temperature (Soldering, 10sec) |                       | 260°C          |
| Infrared/Convection Reflow (15sec)  |                       | 235°C          |

- (1) Absolute Maximum Ratings indicate limits beyond which damage to the device may occur, including inoperability and degradation of device reliability and/or performance. Functional operation of the device and/or non-degradation at the Absolute Maximum Ratings or other conditions beyond those indicated in the Operating Ratings is not implied. The recommended Operating Ratings indicate conditions at which the device is functional and the device should not be operated beyond such conditions.
- (2) The human body model is a 100 pF capacitor discharged through a 1.5-kΩ resistor into each pin.

## 5 RECOMMENDED OPERATING CONDITIONS <sup>(1)</sup>

|  |                            |                 |
|--|----------------------------|-----------------|
| V <sub>IN</sub>  | LM3406                     | 6V to 42V       |
|  | LM3406HV, LM3406HV-Q1      | 6V to 75V       |
| Junction Temperature Range   | LM3406, LM3406HV           | –40°C to +125°C |
|  | LM3406HV-Q1                | –40°C to +150°C |
| Ambient Temperature Range  | LM3406HV-Q1 <sup>(2)</sup> | –40°C to +125°C |
| Thermal Resistance $\theta_{JA}$ (TSSOP-14 Package) <sup>(3)</sup> |                            | 50°C/W          |

- (1) Absolute Maximum Ratings indicate limits beyond which damage to the device may occur, including inoperability and degradation of device reliability and/or performance. Functional operation of the device and/or non-degradation at the Absolute Maximum Ratings or other conditions beyond those indicated in the Operating Ratings is not implied. The recommended Operating Ratings indicate conditions at which the device is functional and the device should not be operated beyond such conditions.
- (2) The LM3406HV-Q1 can operate at an ambient temperature of up to +125°C as long as the junction temperature maximum of +150°C is not exceeded.
- (3)  $\theta_{JA}$  of 50°C/W with DAP soldered to a minimum of 2 square inches of 1-oz. copper on the top or bottom PCB layer.

## 6 ELECTRICAL CHARACTERISTICS LM3406/LM3406HV/LM3406HV-Q1

$V_{IN} = 24V$  unless otherwise indicated. Unless otherwise specified, datasheet typicals and limits apply to LM3406, LM3406HV and LM3406HV-Q1. Typicals and limits appearing in plain type apply for  $T_A = T_J = +25^{\circ}C$  <sup>(1)</sup>. Limits appearing in **boldface type** apply over full Operating Temperature Range. Datasheet min/max specification limits are specified by design, test, or statistical analysis.

| Parameter  |  | Test Conditions   | Min                  | Typ  | Max                  | Units       |
|--|--|---|----------------------|------|----------------------|-------------|
| <b>REGULATION COMPARATOR AND ERROR AMPLIFIER</b> |  |   |                      |      |                      |             |
| $V_{REF}$  | CS Regulation Threshold                    | CS Decreasing, SW turns on                              | <b>187.5</b>         | 200  | <b>210</b>           | mV          |
|  |  |   | 191.0 <sup>(2)</sup> |      | 210.0 <sup>(2)</sup> |             |
| $V_{OV}$   | CS Over-voltage Threshold                  | CS Increasing, SW turns off                             |                      | 300  |                      | mV          |
| $I_{CS}$   | CS Bias Current                            | CS = 0V   |                      | 0.9  |                      | $\mu A$     |
| $I_{VOUT}$                                       | VOU <b>T</b> Bias Current                  | VOU <b>T</b> = 24V                                      |                      | 83   |                      | $\mu A$     |
| $I_{COMP}$                                       | COMP Pin Current                           | CS = 0V   |                      | 25   |                      | $\mu A$     |
| $G_{m-CS}$                                       | Error Amplifier Transconductance           | 150 mV < CS < 250 mV                                    |                      | 145  |                      | $\mu S$     |
| <b>SHUTDOWN</b>                                  |  |   |                      |      |                      |             |
| $V_{SD-TH}$                                      | Shutdown Threshold                         | RON Increasing  | <b>0.3</b>           | 0.7  | <b>1.05</b>          | V           |
|  | Shutdown Threshold (LM3406HV-Q1)           | RON Increasing  | <b>0.3</b>           | 0.7  | <b>1.066</b>         |             |
| $V_{SD-HYS}$                                     | Shutdown Hysteresis                        | RON Decreasing  |                      | 40   |                      | mV          |
| <b>ON AND OFF TIMER</b>                          |  |   |                      |      |                      |             |
| $t_{OFF-MIN}$                                    | Minimum Off-time                           | CS = 0V   |                      | 230  |                      | ns          |
| $t_{ON}$   | Programmed On-time                         | $V_{IN} = 24V, V_O = 12V, R_{ON} = 200k\Omega$          | <b>800</b>           | 1300 | <b>1800</b>          |             |
|  | Programmed On-time (LM3406HV-Q1)           | $V_{IN} = 24V, V_O = 12V, R_{ON} = 200k\Omega$          | <b>800</b>           | 1300 | <b>1850</b>          |             |
| $t_{ON-MIN}$                                     | Minimum On-time                            |   |                      | 280  |                      |             |
| <b>VINS COMPARATOR</b>                           |  |   |                      |      |                      |             |
| $V_{INS-TH}$                                     | VINS Pin Threshold                         | VINS decreasing   |                      | 70   |                      | %VIN        |
| $I_{IN-2WD}$                                     | VINS Pin Input Current                     | VINS = 24V * 0.7  |                      | 25   |                      | $\mu A$     |
| <b>INTERNAL REGULATOR</b>                        |  |   |                      |      |                      |             |
| $V_{CC-REG}$                                     | $V_{CC}$ Regulated Output                  | 0 mA < $I_{CC}$ < 5 mA                                  | <b>6.4</b>           | 7    | <b>7.4</b>           | V           |
|  | $V_{CC}$ Regulated Output (LM3406HV-Q1)    | 0 mA < $I_{CC}$ < 5 mA                                  | <b>6.4</b>           | 7    | <b>7.5</b>           |             |
| $V_{IN-DO}$                                      | $V_{IN} - V_{CC}$                          | $I_{CC} = 5 mA, 6.0V < V_{IN} < 8.0V,$<br>Non-switching |                      | 300  |                      | mV          |
| $V_{CC-BP-TH}$                                   | $V_{CC}$ Bypass Threshold                  | $V_{IN}$ Increasing                                     |                      | 8.8  |                      | V           |
| $V_{CC-LIM}$                                     | $V_{CC}$ Current Limit                     | $V_{IN} = 24V, V_{CC} = 0V$                             | <b>4</b>             | 20   |                      | mA          |
| $V_{CC-UV-TH}$                                   | $V_{CC}$ Under-voltage Lock-out Threshold  | $V_{CC}$ Increasing                                     |                      | 5.3  |                      | V           |
| $V_{CC-UV-HYS}$                                  | $V_{CC}$ Under-voltage Lock-out Hysteresis | $V_{CC}$ Decreasing                                     |                      | 150  |                      | mV          |
| $I_{IN-OP}$                                      | $I_{IN}$ Operating Current                 | Non-switching, CS = 0.5V                                |                      | 1.2  |                      | mA          |
| $I_{IN-SD}$                                      | $I_{IN}$ Shutdown Current                  | RON = 0V  |                      | 240  | <b>350</b>           | $\mu A$     |
| <b>CURRENT LIMIT</b>                             |  |   |                      |      |                      |             |
| $I_{LIM}$  | Current Limit Threshold                    |   | <b>1.7</b>           | 2.1  | <b>2.7</b>           | A           |
|  | Current Limit Threshold (LM3406HV-Q1)      |   | <b>1.65</b>          | 2.1  | <b>2.60</b>          |             |
| <b>DIM COMPARATOR</b>                            |  |   |                      |      |                      |             |
| $V_{IH}$   | Logic High                                 | DIM Increasing  | <b>2.2</b>           |      |                      | V           |
| $V_{IL}$   | Logic Low                                  | DIM Decreasing  |                      |      | <b>0.8</b>           | V           |
| $I_{DIM-PU}$                                     | DIM Pull-up Current                        | DIM = 1.5V  |                      | 80   |                      | $\mu A$     |
| <b>MOSFET AND DRIVER</b>                         |  |   |                      |      |                      |             |
| $R_{DS-ON}$                                      | Buck Switch On Resistance                  | $I_{SW} = 200 mA, BOOT = 6.3V$                          |                      | 0.37 | <b>0.75</b>          | $\Omega$    |
| $V_{DR-UVLO}$                                    | BOOT Under-voltage Lock-out Threshold      | BOOT–SW Increasing                                      | <b>1.7</b>           | 2.9  | <b>4.3</b>           | V           |
| $V_{DR-HYS}$                                     | BOOT Under-voltage Lock-out Hysteresis     | BOOT–SW Decreasing                                      |                      | 370  |                      | mV          |
| <b>THERMAL SHUTDOWN</b>                          |  |   |                      |      |                      |             |
| $T_{SD}$   | Thermal Shutdown Threshold                 |   |                      | 165  |                      | $^{\circ}C$ |
| $T_{SD-HYS}$                                     | Thermal Shutdown Hysteresis                |   |                      | 25   |                      | $^{\circ}C$ |

(1) Typical values represent most likely parametric norms at the conditions specified.

(2) Specified with junction temperature from 0°C - 125°C.

**ELECTRICAL CHARACTERISTICS LM3406/LM3406HV/LM3406HV-Q1 (continued)**

$V_{IN} = 24V$  unless otherwise indicated. Unless otherwise specified, datasheet typicals and limits apply to LM3406, LM3406HV and LM3406HV-Q1. Typicals and limits appearing in plain type apply for  $T_A = T_J = +25^{\circ}C$  <sup>(1)</sup>. Limits appearing in **boldface type** apply over full Operating Temperature Range. Datasheet min/max specification limits are specified by design, test, or statistical analysis.

| Parameter                 |                     | Test Conditions                 | Min | Typ | Max | Units         |
|---------------------------|---------------------|---------------------------------|-----|-----|-----|---------------|
| <b>THERMAL RESISTANCE</b> |                     |                                 |     |     |     |               |
| $\theta_{JA}$             | Junction to Ambient | TSSOP-14 Package <sup>(3)</sup> |     | 50  |     | $^{\circ}C/W$ |

(3)  $\theta_{JA}$  of  $50^{\circ}C/W$  with DAP soldered to a minimum of 2 square inches of 1-oz. copper on the top or bottom PCB layer.

## 7 TYPICAL PERFORMANCE CHARACTERISTICS

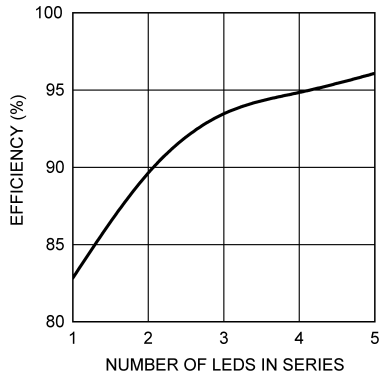


Figure 1. Efficiency vs. Number of InGaN LEDs in Series

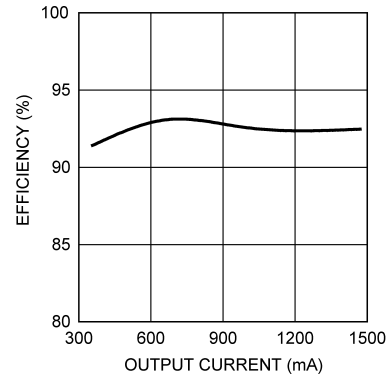


Figure 2. Efficiency Vs. Output Current (1)

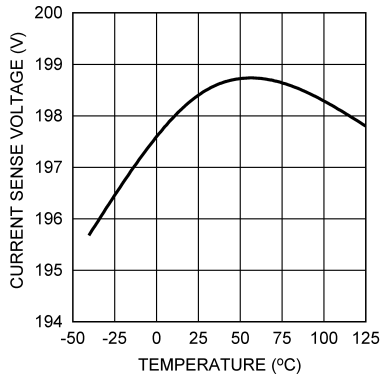


Figure 3. VREF vs Temperature

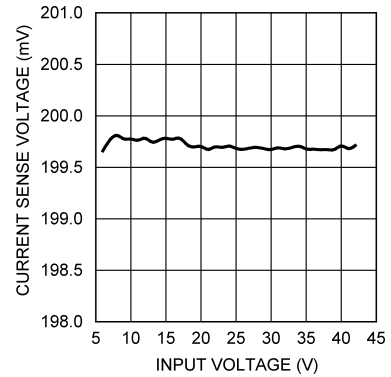


Figure 4. VREF vs VIN, LM3406

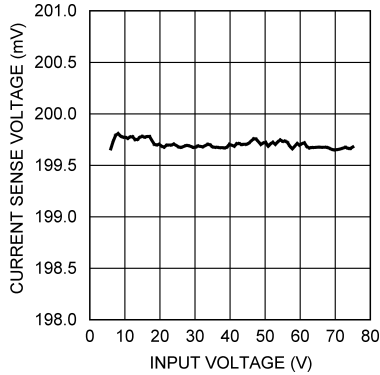


Figure 5. VREF vs VIN, LM3406HV/LM3406HV-Q1

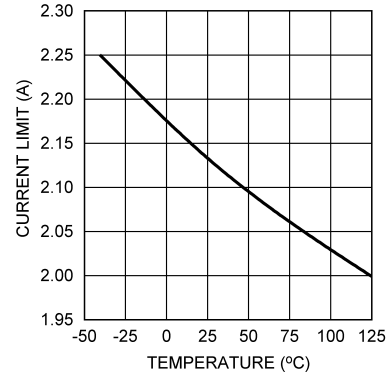


Figure 6. Current Limit vs Temperature

(1)  $V_{IN} = 24V$ ,  $I_F = 1A$ ,  $T_A = 25^\circ C$ , and the load consists of three InGaN LEDs in series unless otherwise noted. See the Bill of Materials table at the end of the datasheet.

TYPICAL PERFORMANCE CHARACTERISTICS (continued)

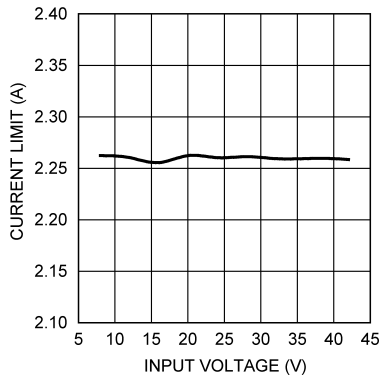


Figure 7. Current Limit vs  $V_{IN}$ , LM3406

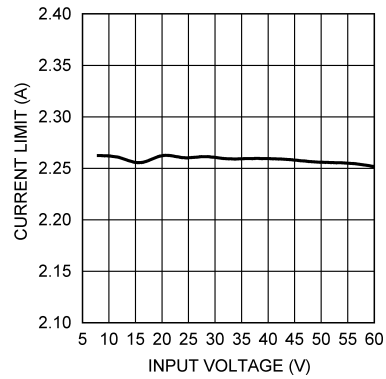


Figure 8. Current Limit vs  $V_{IN}$ , LM3406HV/LM3406HV-Q1

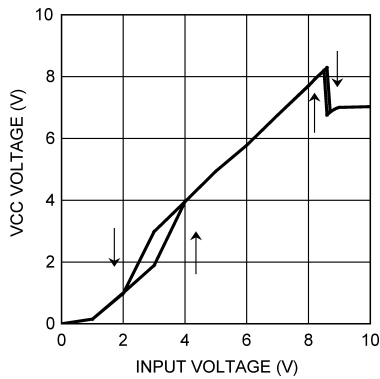


Figure 9.  $V_{CC}$  vs  $V_{IN}$

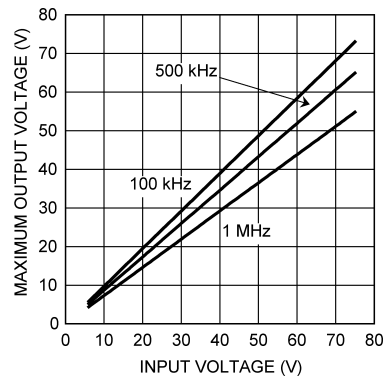
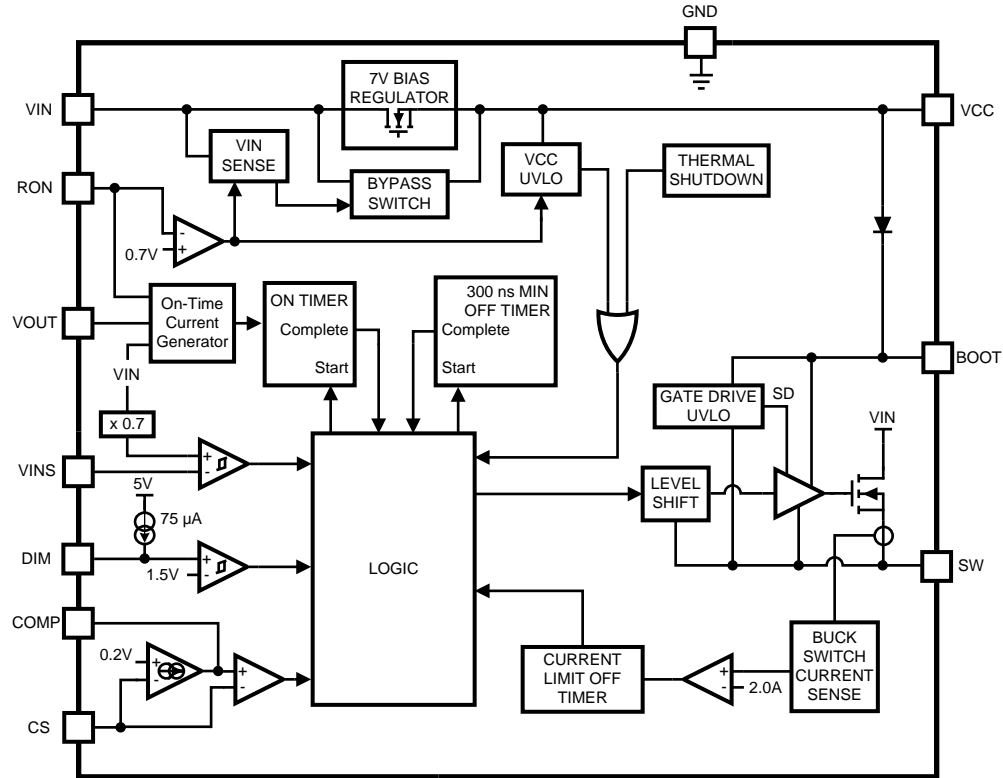


Figure 10.  $V_{O-MAX}$  vs  $V_{IN}$ , LM3406

## 7.1 BLOCK DIAGRAM





## 8 APPLICATION INFORMATION

### 8.1 THEORY OF OPERATION

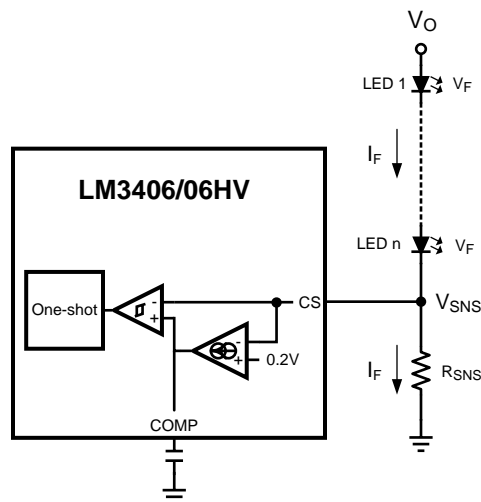
The LM3406, LM3406HV and LM3406HV-Q1 are buck regulators with a wide input voltage range, low voltage reference, and a fast output enable/disable function. These features combine to make them ideal for use as a constant current source for LEDs with forward currents as high as 1.5A. The controlled on-time (COT) architecture uses a comparator and a one-shot on-timer that varies inversely with input and output voltage instead of a fixed clock. The LM3406 family also employs an integrator circuit that averages the output current. When the converter runs in continuous conduction mode (CCM) the controlled on-time maintains a constant switching frequency over changes in both input and output voltage. These features combine to give the LM3406 family an accurate output current, fast transient response, and constant switching frequency over a wide range of conditions.

### 8.2 CONTROLLED ON-TIME OVERVIEW

shows a simplified version of the feedback system used to control the current through an array of LEDs. A differential voltage signal,  $V_{SNS}$ , is created as the LED current flows through the current setting resistor,  $R_{SNS}$ .  $V_{SNS}$  is fed back by the CS pin, where it is integrated and compared against an error amplifier-generated reference. The error amplifier is a transconductance ( $G_m$ ) amplifier which adjusts the voltage on COMP to maintain a 200 mV average at the CS pin. The on-comparator turns on the power MOSFET when  $V_{SNS}$  falls below the reference created by the  $G_m$  amp. The power MOSFET conducts for a controlled on-time,  $t_{ON}$ , set by an external resistor,  $R_{ON}$ , the input voltage,  $V_{IN}$  and the output voltage,  $V_O$ . On-time can be estimated by the following simplified equation (for the most accurate version of this expression see the Appendix):

$$t_{ON} = 1 \times 10^{-11} \times R_{ON} \times \frac{V_O}{V_{IN}} \quad (1)$$

At the conclusion of  $t_{ON}$  the power MOSFET turns off and must remain off for a minimum of 230 ns. Once this  $t_{OFF-MIN}$  is complete the CS comparator compares the integrated  $V_{SNS}$  and reference again, waiting to begin the next cycle.



Comparator and One-Shot

### 8.3 SWITCHING FREQUENCY

The LM3406 family does not contain a clock, however the on-time is modulated in proportion to both input voltage and output voltage in order to maintain a relatively constant frequency. On-time  $t_{ON}$ , duty cycle  $D$  and switching frequency  $f_{SW}$  are related by the following expression:

$$f_{SW} = D / t_{ON} \quad (2)$$

$$D = (V_O + V_D) / (V_{IN} - V_{SW} + V_D) \quad (3)$$

$$V_D = \text{Schottky diode (typically 0.5V)} \quad (4)$$

$$V_{SW} = I_F \times R_{DSON} \quad (5)$$

The LM3406 family regulators should be operated in continuous conduction mode (CCM), where inductor current stays positive throughout the switching cycle. During steady-state CCM operation, the converter maintains a constant switching frequency that can be estimated using the following equation (for the most accurate version, particularly for applications that will have an input or output voltage of less than approximately 12V, see the Appendix):

$$f_{SW} = \frac{1}{1 \times 10^{-11} \times R_{ON}} \quad (6)$$

(7)

### 8.4 SETTING LED CURRENT

LED current is set by the resistor  $R_{SNS}$ , which can be determined using the following simple expression due to the output averaging:

$$R_{SNS} = 0.2 / I_F \quad (8)$$

### 8.5 MAXIMUM NUMBER OF SERIES LEDS

LED driver designers often want to determine the highest number of LEDs that can be driven by their circuits. The limit on the maximum number of series LEDs is set by the highest output voltage,  $V_{O-MAX}$ , that the LED driver can provide. A buck regulator cannot provide an output voltage that is higher than the minimum input voltage, and in practice the maximum output voltage of the LM3406 family is limited by the minimum off-time as well.  $V_{O-MAX}$  determines how many LEDs can be driven in series. Referring to the illustration in , output voltage is calculated as:

$$V_{O-MAX} = V_{IN-MIN} \times (1 - f_{SW} \times t_{OFF-MIN}) \quad (9)$$

$$t_{OFF-MIN} = 230 \text{ ns}$$

Once  $V_{O-MAX}$  has been calculated, the maximum number of series LEDs,  $n_{MAX}$ , can be calculated by the following expression and rounding down:

$$n_{MAX} = V_{O-MAX} / V_F \quad (10)$$

$V_F$  = forward voltage of each LED

At low switching frequency  $V_{O-MAX}$  is higher, allowing the LM3406 family to regulate output voltages that are nearly equal to input voltage, and this can allow the system to drive more LEDs in series. Low switching frequencies are not always desirable, however, because they require larger, more expensive components.

### 8.6 CALCULATING OUTPUT VOLTAGE

Even though output current is the controlled parameter in LED drivers, output voltage must still be calculated in order to design the complete circuit. Referring to the illustration in , output voltage is calculated as:

$$V_O = n \times V_F + V_{SNS} \quad (11)$$

$V_{SNS}$  = sense voltage of 200 mV,  $n$  = number of LEDs in series

## 8.7 MINIMUM ON-TIME

The minimum on-time for the LM3406 family is 280 ns (typical). One practical example of reaching the minimum on-time is when dimming the LED light output with a power FET placed in parallel to the LEDs. When the FET is on, the output voltage drops to 200 mV. This results in a small duty cycle and in most circuits requires an on-time that would be less than 280 ns. In such a case the LM3406 family keeps the on-time at 280 ns and increases the off-time as much as needed, which effectively reduces the switching frequency.

## 8.8 HIGH VOLTAGE BIAS REGULATOR (VCC)

The LM3406 family contains an internal linear regulator with a 7V output, connected between the VIN and the VCC pins. The VCC pin should be bypassed to the GND pin with a 0.1  $\mu$ F ceramic capacitor connected as close as possible to the pins of the IC. VCC tracks VIN until VIN reaches 8.8V (typical) and then regulates at 7V as VIN increases. The LM3406 family comes out of UVLO and begins operating when VCC crosses 5.3V. This is shown graphically in the Typical Performance curves.

Connecting an external supply to VCC to power the gate drivers is not recommended. However, it may be done if certain precautions are taken. Be sure that the external supply will not violate any absolute maximum conditions and will at no point exceed the voltage applied to the VIN pins. Under certain conditions, some ringing may be present on the SW and BOOT pins when VCC is driven with an external supply. It is important to ensure that the absolute maximum ratings of these pins are not violated during the ringing or else damage to the device may occur.

## 8.9 INTERNAL MOSFET AND DRIVER

The LM3406 family features an internal power MOSFET as well as a floating driver connected from the SW pin to the BOOT pin. Both rise time and fall time are 20 ns each (typical) and the approximate gate charge is 9 nC. The high-side rail for the driver circuitry uses a bootstrap circuit consisting of an internal high-voltage diode and an external 22 nF capacitor,  $C_B$ .  $V_{CC}$  charges  $C_B$  through the internal diode while the power MOSFET is off. When the MOSFET turns on, the internal diode reverse biases. This creates a floating supply equal to the  $V_{CC}$  voltage minus the diode drop to drive the MOSFET when its source voltage is equal to  $V_{IN}$ .

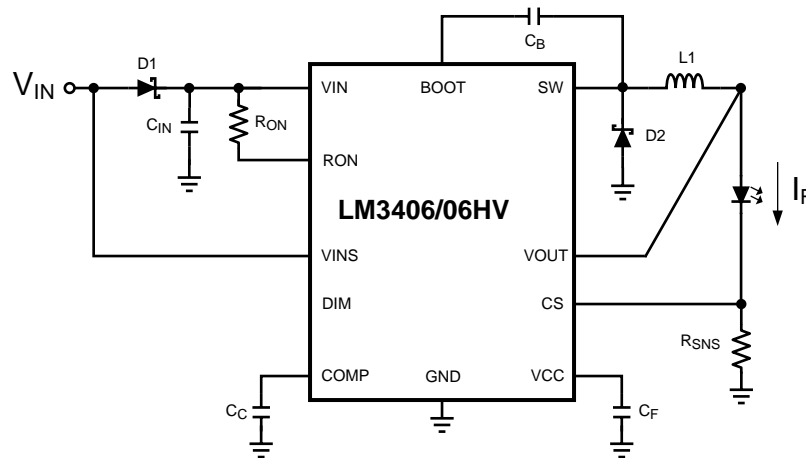
## 8.10 FAST LOGIC PIN FOR PWM DIMMING

The DIM pin is a TTL compatible input for PWM dimming of the LED. A logic low (below 0.8V) at DIM will disable the internal MOSFET and shut off the current flow to the LED array. While the DIM pin is in a logic low state the support circuitry (driver, bandgap, VCC) remains active in order to minimize the time needed to turn the LED array back on when the DIM pin sees a logic high (above 2.2V). A 75  $\mu$ A (typical) pull-up current ensures that the LM3406 family is on when DIM pin is open circuited, eliminating the need for a pull-up resistor. Dimming frequency,  $f_{DIM}$ , and duty cycle,  $D_{DIM}$ , are limited by the LED current rise time and fall time and the delay from activation of the DIM pin to the response of the internal power MOSFET. In general,  $f_{DIM}$  should be at least one order of magnitude lower than the steady state switching frequency in order to prevent aliasing.

## 8.11 INPUT VOLTAGE COMPARATOR FOR PWM DIMMING

Adding an external input diode and using the internal VINS comparator allows the LM3406 family to sense and respond to dimming that is done by PWM of the input voltage. This method is also referred to as "Two-Wire Dimming", and a typical application circuit is shown in . If the VINS pin voltage falls 70% below the VIN pin voltage, the LM3406 family disables the internal power FET and shuts off the current to the LED array. The support circuitry (driver, bandgap, VCC) remains active in order to minimize the time needed to the turn the LED back on when the VINS pin voltage rises and exceeds 70% of VIN. This minimizes the response time needed to turn the LED array back on.

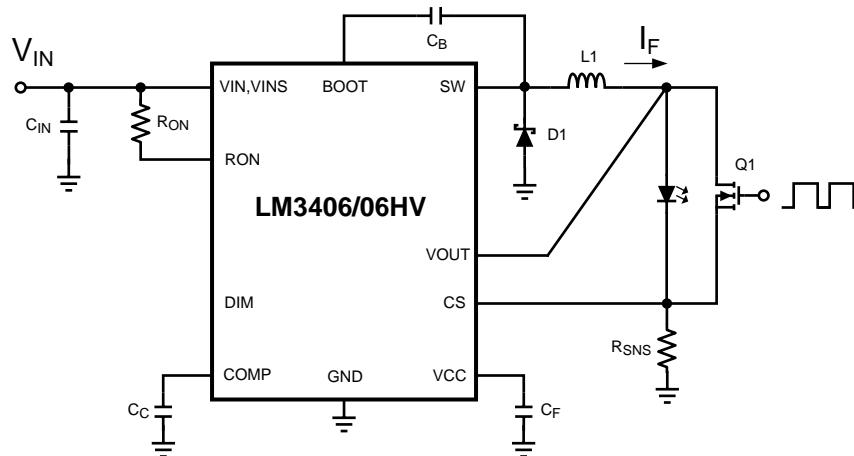
## INPUT VOLTAGE COMPARATOR FOR PWM DIMMING (continued)



Typical Application using Two-Wire Dimming

### 8.12 PARALLEL MOSFET FOR HIGH-SPEED PWM DIMMING

For applications that require dimming at high frequency or with wide dimming duty cycle range neither the VINS comparator or the DIM pin are capable of slewing the LED current from 0 to the target level fast enough. For such applications the LED current slew rate can be increased by shorting the LED current with a N-MOSFET placed in parallel to the LED or LED array, as shown in . While the parallel FET is on the output current flows through it, effectively reducing the output voltage to equal the CS pin voltage of 0.2V. This dimming method maintains a continuous current through the inductor, and therefore eliminates the biggest delay in turning the LED(s) on and off. The trade-off with parallel FET dimming is that more power is wasted while the FET is on, although in most cases the power wasted is small compared to the power dissipated in the LEDs. Parallel FET circuits should use no output capacitance or a bare minimum for noise filtering in order to minimize the slew rate of output voltage. Dimming FET Q1 can be driven from a ground-referenced source because the source stays at 0.2V along with the CS pin.



Dimming with a Parallel FET

### 8.13 PEAK CURRENT LIMIT

The current limit comparator of the LM3406 family will engage whenever the power MOSFET current (equal to the inductor current while the MOSFET is on) exceeds 2.1A (typical). The power MOSFET is disabled for a cool-down time that of approximately 100  $\mu$ s. At the conclusion of this cool-down time the system re-starts. If the current limit condition persists the cycle of cool-down time and restarting will continue, creating a low-power hiccup mode, minimizing thermal stress on the LM3406 family and the external circuit components.

### 8.14 OVER-VOLTAGE/OVER-CURRENT COMPARATOR

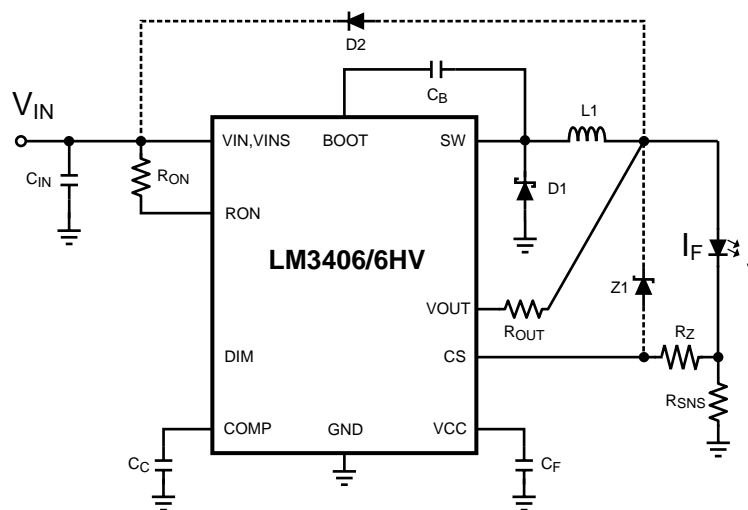
The CS pin includes an output over-voltage/over-current comparator that will disable the power MOSFET whenever  $V_{SNS}$  exceeds 300 mV. This threshold provides a hard limit for the output current. Output current overshoot is limited to  $300\text{ mV} / R_{SNS}$  by this comparator during transients. The OVP/OCP comparator limits the maximum ripple voltage at the CS pin to 200 mV<sub>P-P</sub>.

### 8.15 OUTPUT OPEN-CIRCUIT

The most common failure mode for power LEDs is a broken bond wire, and the result is an output open-circuit. When this happens the feedback path is disconnected, and the output voltage will attempt to rise. In buck converters the output voltage can only rise as high as the input voltage, and the minimum off-time requirement ensures that  $V_{O(MAX)}$  is slightly less than  $V_{IN}$ . shows a method using a zener diode, Z1, and zener limiting resistor,  $R_Z$ , to limit output voltage to the reverse breakdown voltage of Z1 plus 200 mV. The zener diode reverse breakdown voltage,  $V_Z$ , must be greater than the maximum combined  $V_F$  of all LEDs in the array. The maximum recommended value for  $R_Z$  is 1 k $\Omega$ .

The output stage (SW and VOUT pins) of the LM3406 family is capable of withstanding  $V_{O(MAX)}$  indefinitely as long as the output capacitor is rated to handle the full input voltage. When an LED fails open-circuit and there is no output capacitor present the surge in output voltage due to the collapsing magnetic field in the output inductor can exceed  $V_{IN}$  and can damage the LM3406 family IC. As an alternative to the zener clamp method described previously, a diode can be connected from the output to the input of the regulator circuit that will clamp the inductive surge to one  $V_D$  above  $V_{IN}$ .

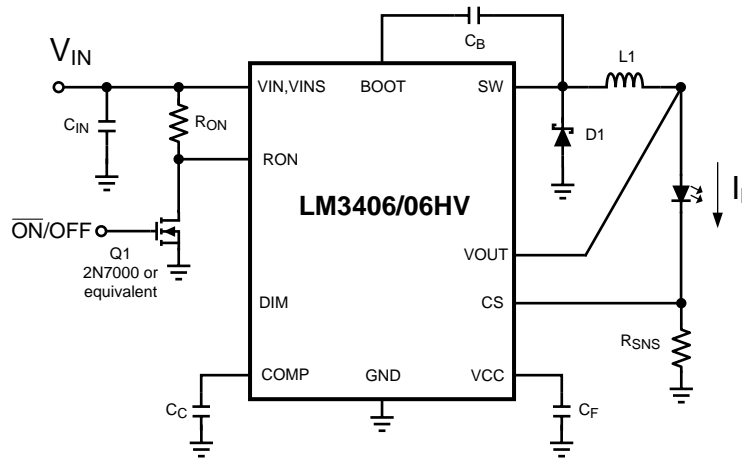
Regardless of which protection method is used a resistance in series with the VOUT pin,  $R_{OUT}$ , is recommended to limit the current in the event the VOUT pin is pulled below ground when the LED circuit is reconnected. This can occur frequently if the lead lengths to the LEDs are long and the inductance is significant. A resistor between 1 k $\Omega$  and 10 k $\Omega$  is recommended.



Two Methods of Output Open Circuit Protection

## 8.16 LOW POWER SHUTDOWN

The LM3406 family can be placed into a low power state ( $I_{IN-SD} = 240 \mu\text{A}$ ) by grounding the RON pin with a signal-level MOSFET as shown in . Low power MOSFETs like the 2N7000, 2N3904, or equivalent are recommended devices for putting the LM3406 family into low power shutdown. Logic gates can also be used to shut down the LM3406 family as long as the logic low voltage is below the over temperature minimum threshold of 0.3V. Noise filter circuitry on the RON pin can cause a few pulses with longer on-times than normal after RON is grounded or released. In these cases the OVP/OCP comparator will ensure that the peak inductor or LED current does not exceed  $300 \text{ mV} / R_{SNS}$ .



Low Power Shutdown

## 8.17 THERMAL SHUTDOWN

Internal thermal shutdown circuitry is provided to protect the IC in the event that the maximum junction temperature is exceeded. The threshold for thermal shutdown is 165°C with a 25°C hysteresis (both values typical). During thermal shutdown the MOSFET and driver are disabled.

## 8.1 DESIGN CONSIDERATIONS

### 8.1.1 SWITCHING FREQUENCY

Switching frequency is selected based on the trade-offs between efficiency (better at low frequency), solution size/cost (smaller at high frequency), and the range of output voltage that can be regulated (wider at lower frequency.) Many applications place limits on switching frequency due to EMI sensitivity. The on-time of the LM3406 family can be programmed for switching frequencies ranging from the 10's of kHz to over 1 MHz. This on-time varies in proportion to both  $V_{IN}$  and  $V_O$  in order to maintain first-order control over switching frequency, however in practice the switching frequency will shift in response to large swings in  $V_{IN}$  or  $V_O$ . The maximum switching frequency is limited only by the minimum on-time and minimum off-time requirements.

### 8.1.2 LED RIPPLE CURRENT

Selection of the ripple current,  $\Delta i_F$ , through the LED array is similar to the selection of output ripple voltage in a standard voltage regulator. Where the output ripple in a voltage regulator is commonly  $\pm 1\%$  to  $\pm 5\%$  of the DC output voltage, LED manufacturers generally recommend values for  $\Delta i_F$  ranging from  $\pm 5\%$  to  $\pm 20\%$  of  $I_F$ . Higher LED ripple current allows the use of smaller inductors, smaller output capacitors, or no output capacitors at all. Lower ripple current requires more output inductance, higher switching frequency, or additional output capacitance, and may be necessary for applications that are not intended for human eyes, such as machine vision or industrial inspection.

### 8.1.3 BUCK CONVERTERS WITHOUT OUTPUT CAPACITORS

The buck converter is unique among non-isolated topologies because of the direct connection of the inductor to the load during the entire switching cycle. By definition an inductor will control the rate of change of current that flows through it, and this control over current ripple forms the basis for component selection in both voltage regulators and current regulators. A current regulator such as the LED driver for which the LM3406 family was designed focuses on the control of the current through the load, not the voltage across it. A constant current regulator is free of load current transients, and has no need of output capacitance to supply the load and maintain output voltage. Referring to the Typical Application circuit on the front page of this datasheet, the inductor and LED can form a single series chain, sharing the same current. When no output capacitor is used, the same equations that govern inductor ripple current,  $\Delta i_L$ , also apply to the LED ripple current,  $\Delta i_F$ . For a controlled on-time converter such as LM3406 family the ripple current is described by the following expression:

$$\Delta i_L = \Delta i_F = \frac{V_{IN} - V_O}{L} \times t_{ON} \quad (12)$$

The triangle-wave inductor current ripple flows through  $R_{SNS}$  and produces a triangle-wave voltage at the CS pin. To provide good signal to noise ratio (SNR) the amplitude of CS pin ripple voltage,  $\Delta V_{CS}$ , should be at least 25 mV<sub>P-P</sub>.  $\Delta V_{CS}$  is described by the following:

$$\Delta V_{CS} = \Delta i_F \times R_{SNS} \quad (13)$$

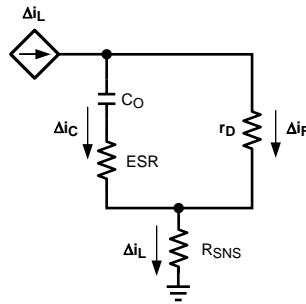
### 8.1.4 BUCK CONVERTERS WITH OUTPUT CAPACITORS

A capacitor placed in parallel with the LED(s) can be used to reduce the LED current ripple while keeping the same average current through both the inductor and the LED array. With an output capacitor the output inductance can be lowered, making the magnetics smaller and less expensive. Alternatively, the circuit could be run at lower frequency but keep the same inductor value, improving the power efficiency. Both the peak current limit and the OVP/OCP comparator still monitor peak inductor current, placing a limit on how large  $\Delta i_L$  can be even if  $\Delta i_F$  is made very small. Adding a capacitor that reduces  $\Delta i_F$  to well below the target provides headroom for changes in inductance or  $V_{IN}$  that might otherwise push the peak LED ripple current too high.

shows the equivalent impedances presented to the inductor current ripple when an output capacitor,  $C_O$ , and its equivalent series resistance (ESR) are placed in parallel with the LED array. Note that ceramic capacitors have so little ESR that it can be ignored. The entire inductor ripple current still flows through  $R_{SNS}$  to provide the required 25 mV of ripple voltage for proper operation of the CS comparator.



## DESIGN CONSIDERATIONS (continued)



**LED and  $C_0$  Ripple Current**

To calculate the respective ripple currents the LED array is represented as a dynamic resistance,  $r_D$ . LED dynamic resistance is not always specified on the manufacturer's datasheet, but it can be calculated as the inverse slope of the LED's  $V_F$  vs.  $I_F$  curve. Note that dividing  $V_F$  by  $I_F$  will give an incorrect value that is 5x to 10x too high. Total dynamic resistance for a string of  $n$  LEDs connected in series can be calculated as the  $r_D$  of one device multiplied by  $n$ . Inductor ripple current is still calculated with the expression from Buck Regulators without Output Capacitors. The following equations can then be used to estimate  $\Delta i_F$  when using a parallel capacitor:

$$\Delta i_F = \frac{\Delta i_L}{1 + \frac{r_D}{Z_C}}$$

$$Z_C = ESR + \frac{1}{2\pi \times f_{SW} \times C_0} \quad (14)$$

The calculation for  $Z_C$  assumes that the shape of the inductor ripple current is approximately sinusoidal.

Small values of  $C_0$  that do not significantly reduce  $\Delta i_F$  can also be used to control EMI generated by the switching action of the LM3406 family. EMI reduction becomes more important as the length of the connections between the LED and the rest of the circuit increase.

### 8.1.5 INPUT CAPACITORS

Input capacitors at the VIN pin of the LM3406 family are selected using requirements for minimum capacitance and rms ripple current. The input capacitors supply pulses of current approximately equal to  $I_F$  while the power MOSFET is on, and are charged up by the input voltage while the power MOSFET is off. All switching regulators have a negative input impedance due to the decrease in input current as input voltage increases. This inverse proportionality of input current to input voltage can cause oscillations (sometimes called 'power supply interaction') if the magnitude of the negative input impedance is greater than the input filter impedance. Minimum capacitance can be selected by comparing the input impedance to the converter's negative resistance; however this requires accurate calculation of the input voltage source inductance and resistance, quantities which can be difficult to determine. An alternative method to select the minimum input capacitance,  $C_{IN(MIN)}$ , is to select the maximum input voltage ripple which can be tolerated. This value,  $\Delta V_{IN(MAX)}$ , is equal to the change in voltage across  $C_{IN}$  during the converter on-time, when  $C_{IN}$  supplies the load current.  $C_{IN(MIN)}$  can be selected with the following:

$$C_{IN(MIN)} = \frac{I_F \times t_{ON}}{\Delta V_{IN(MAX)}} \quad (15)$$

A good starting point for selection of  $C_{IN}$  is to use an input voltage ripple of 5% to 10% of  $V_{IN}$ . A minimum input capacitance of 2x the  $C_{IN(MIN)}$  value is recommended for all LM3406 family circuits. To determine the rms current rating, the following formula can be used:

$$I_{N(rms)} = I_F \times \sqrt{D(1-D)} \quad (16)$$



## DESIGN CONSIDERATIONS (continued)

Ceramic capacitors are the best choice for the input to the LM3406 family due to their high ripple current rating, low ESR, low cost, and small size compared to other types. When selecting a ceramic capacitor, special attention must be paid to the operating conditions of the application. Ceramic capacitors can lose one-half or more of their capacitance at their rated DC voltage bias and also lose capacitance with extremes in temperature. A DC voltage rating equal to twice the expected maximum input voltage is recommended. In addition, the minimum quality dielectric which is suitable for switching power supply inputs is X5R, while X7R or better is preferred.

### 8.1.6 RECIRCULATING DIODE

The LM3406 family is a non-synchronous buck regulator that requires a recirculating diode D1 (see the Typical Application circuit) to carrying the inductor current during the MOSFET off-time. The most efficient choice for D1 is a Schottky diode due to low forward drop and near-zero reverse recovery time. D1 must be rated to handle the maximum input voltage plus any switching node ringing when the MOSFET is on. In practice all switching converters have some ringing at the switching node due to the diode parasitic capacitance and the lead inductance. D1 must also be rated to handle the average current,  $I_D$ , calculated as:

$$I_D = (1 - D) \times I_F \quad (17)$$

This calculation should be done at the maximum expected input voltage. The overall converter efficiency becomes more dependent on the selection of D1 at low duty cycles, where the recirculating diode carries the load current for an increasing percentage of the time. This power dissipation can be calculating by checking the typical diode forward voltage,  $V_D$ , from the I-V curve on the product datasheet and then multiplying it by  $I_D$ . Diode datasheets will also provide a typical junction-to-ambient thermal resistance,  $\theta_{JA}$ , which can be used to estimate the operating die temperature of the device. Multiplying the power dissipation ( $P_D = I_D \times V_D$ ) by  $\theta_{JA}$  gives the temperature rise. The diode case size can then be selected to maintain the Schottky diode temperature below the operational maximum.

## 8.2 Transient Protection Considerations

Considerations need to be made when external sources, loads or connections are made to the switching converter circuit due to the possibility of Electrostatic Discharge (ESD) or Electric Over Stress (EOS) events occurring and damaging the integrated circuit (IC) device. All IC device pins contain zener based clamping structures that are meant to clamp ESD. ESD events are very low energy events, typically less than 5µJ (microjoules). Any event that transfers more energy than this may damage the ESD structure. Damage is typically represented as a short from the pin to ground as the extreme localized heat of the ESD / EOS event causes the aluminum metal on the chip to melt, causing the short. This situation is common to all integrated

### 8.2.1 CS PIN PROTECTION

When hot swapping in a load (e.g. test points, load boards, LED stack), any residual charge on the load will be immediately transferred through the output capacitor to the CS pin, which is then damaged as shown in below. The EOS event due to the residual charge from the load is represented as  $V_{TRANSIENT}$ .

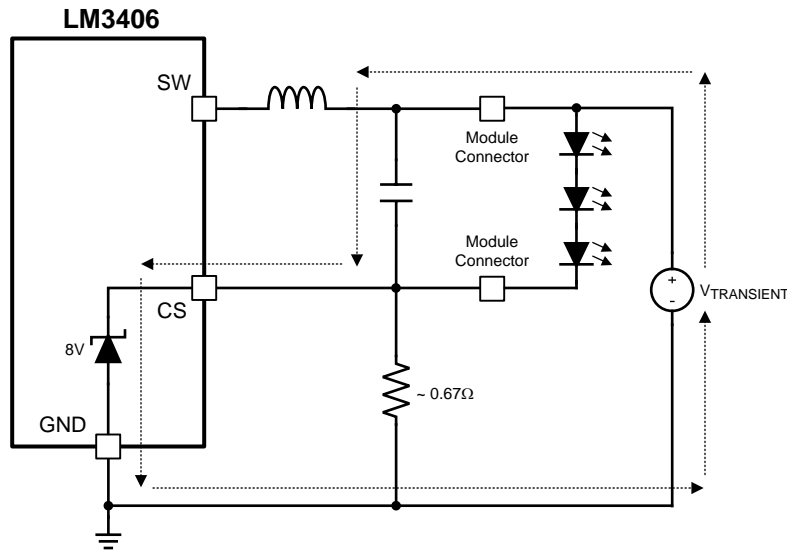
From measurements, we know that the 8V ESD structure on the CS pin can typically withstand 25mA of direct current (DC). Adding a 1kΩ resistor in series with the CS pin, shown in , results in the majority of the transient energy to pass through the discrete sense resistor rather than the device. The series resistor limits the peak current that can flow during a transient event, thus protecting the CS pin. With the 1kΩ resistor shown, a 33V, 49A transient on the LED return connector terminal could be absorbed as calculated by:

$$V = 25\text{mA} \times 1\text{k}\Omega + 8\text{V} = 33\text{V} \quad (18)$$

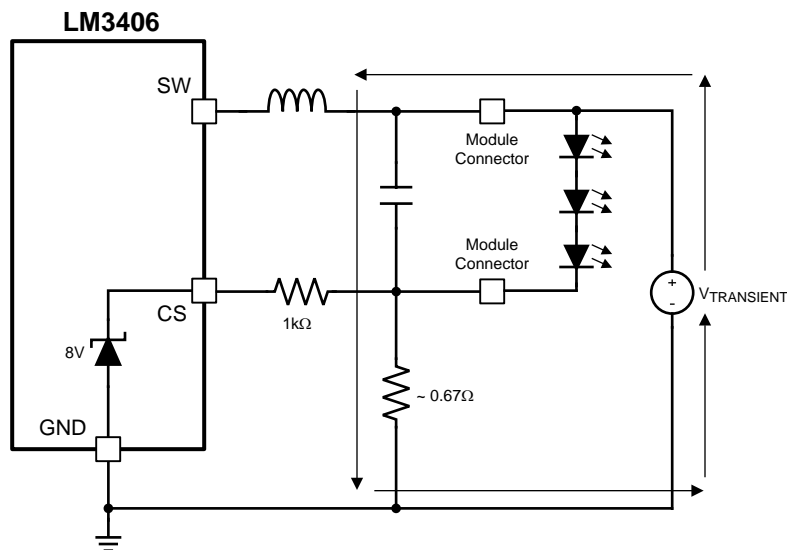
$$I = 33\text{V} / 0.67\Omega = 49\text{A} \quad (19)$$

This is an extremely high energy event, so the protection measures previously described should be adequate to solve this issue.

## Transient Protection Considerations (continued)



**CS Pin, Transient Path**



**CS Pin, Transient Path with Protection**

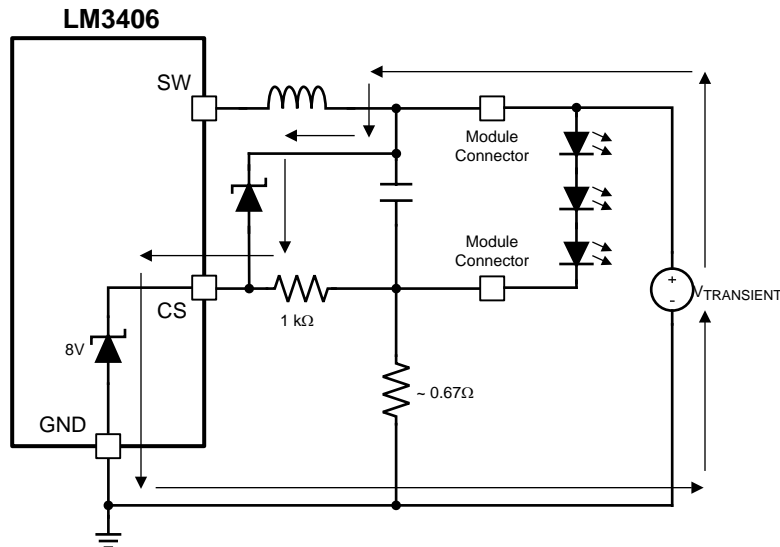
Adding a resistor in series with the CS pin causes the observed output LED current to shift very slightly. The reason for this is twofold: (1) the CS pin has about 20pF of inherent capacitance inside it which causes a slight delay (20ns for a 1kΩ series resistor), and (2) the comparator that is watching the voltage at the CS pin uses a pnp bipolar transistor at its input. The base current of this pnp transistor is approximately 100nA which will cause a 0.1mV change in the 200mV threshold. These are both very minor changes and are well understood. The shift in current can either be neglected or taken into consideration by changing the current sense resistance slightly.

### 8.2.2 CS PIN PROTECTION WITH OVP

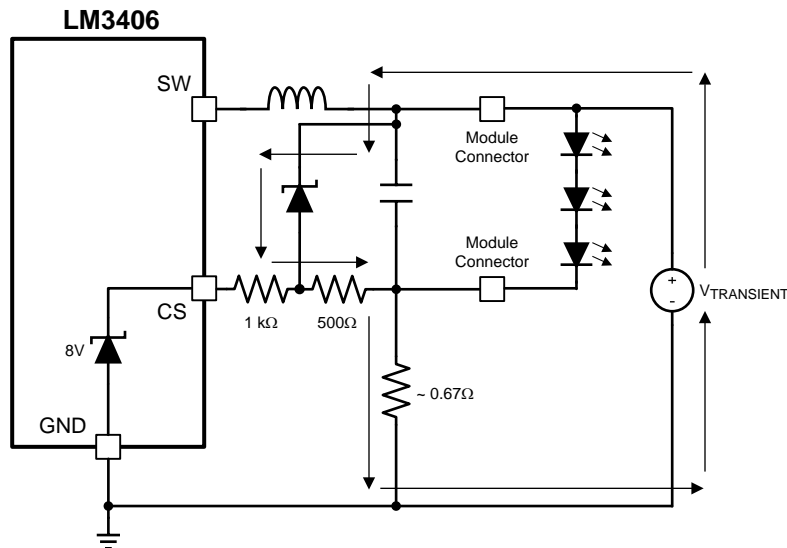
When designing output overvoltage protection into the switching converter circuit using a zener diode, transient protection on the CS pin requires additional consideration. As shown in , adding a zener diode from the output to the CS pin (with the series resistor) for output overvoltage protection will now again allow the transient energy to be passed through the CS pin's ESD structure thereby damaging it.

### Transient Protection Considerations (continued)

Adding an additional series resistor to the CS pin as shown in will result in the majority of the transient energy to pass through the sense resistor thereby protecting the LM340X device.



CS Pin with OVP, Transient Path



CS Pin with OVP, Transient Path with Protection

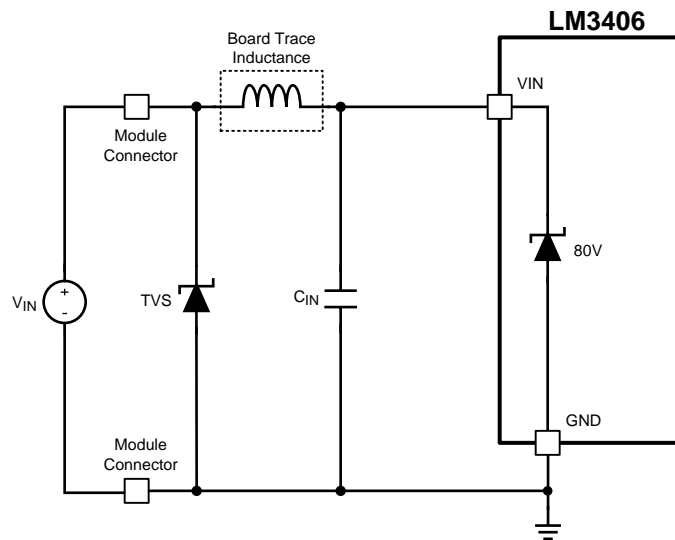
### 8.2.3 VIN PIN PROTECTION

The VIN pin also has an ESD structure from the pin to GND with a breakdown voltage of approximately 80V. Any transient that exceeds this voltage may damage the device. Although transient absorption is usually present at the front end of a switching converter circuit, damage to the VIN pin can still occur.

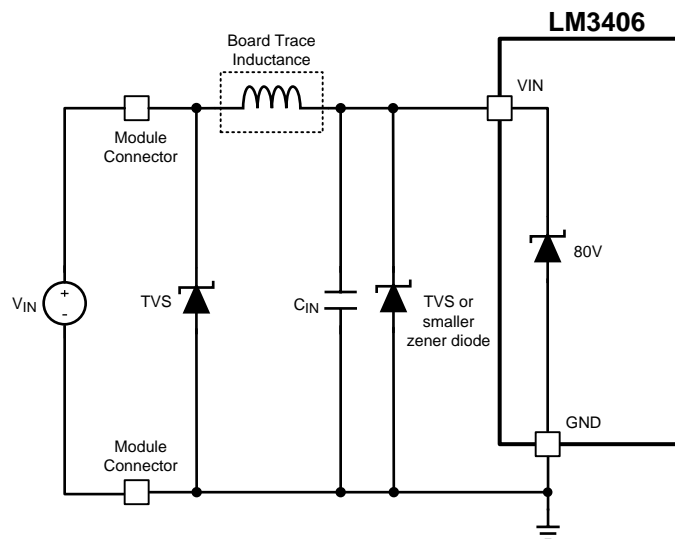
## Transient Protection Considerations (continued)

When  $V_{IN}$  is hot swapped in, the current that rushes in to charge  $C_{IN}$  up to the  $V_{IN}$  value also charges (energizes) the circuit board trace inductance as shown in . The excited trace inductance then resonates with the input capacitance (similar to an under-damped LC tank circuit) and causes voltages at the  $V_{IN}$  pin to rise well in excess of both  $V_{IN}$  and the voltage at the module input connector as clamped by the input TVS. If the resonating voltage at the  $V_{IN}$  pin exceeds the 80V breakdown voltage of the ESD structure, the ESD structure will activate and then “snap-back” to a lower voltage due to its inherent design. If this lower snap-back voltage is less than the applied nominal  $V_{IN}$  voltage, then significant current will flow through the ESD structure resulting in the IC being damaged.

An additional TVS or small zener diode should be placed as close as possible to the  $V_{IN}$  pins of each IC on the board, in parallel with the input capacitor as shown in . A minor amount of series resistance in the input line would also help, but would lower overall conversion efficiency. For this reason, NTC resistors are often used as inrush limiters instead.



**VIN Pin with Typical Input Protection**



**VIN Pin with Additional Input Protection**

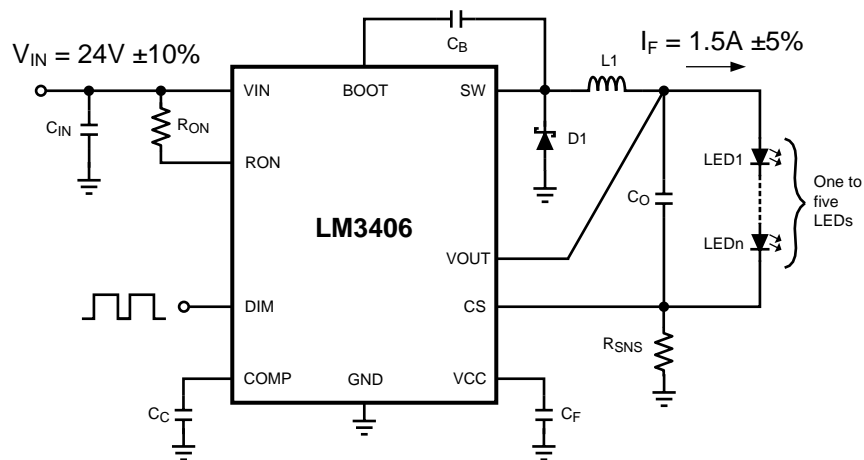
## Transient Protection Considerations (continued)

### 8.2.4 GENERAL COMMENTS REGARDING OTHER PINS

Any pin that goes “off-board” through a connector should have series resistance of at least 1kΩ to 10kΩ in series with it to protect it from ESD or other transients. These series resistors limit the peak current that can flow (or cause a voltage drop) during a transient event, thus protecting the pin and the device. Pins that are not used should **not** be left floating. They should instead be tied to GND or to an appropriate voltage through resistance.

### 8.3 Design Example 1

The first example circuit uses the LM3406 to create a flexible LED driver capable of driving anywhere from one to five white series-connected LEDs at a current of 1.5A ±5% from a regulated DC voltage input of 24V ±10%. In addition to the ±5% tolerance specified for the average output current, the LED ripple current must be controlled to 10%<sub>P-P</sub> of the DC value, or 150 mA<sub>P-P</sub>. The typical forward voltage of each individual LED at 1.5A is 3.9V, hence the output voltage ranges from 4.1V to 19.7V, adding in the 0.2V drop for current sensing. A complete bill of materials can be found in [Table 1](#) at the end of this datasheet.



Schematic for Design Example 1

#### 8.3.1 $R_{ON}$ and $t_{ON}$

A moderate switching frequency of 500 kHz will balance the requirements of inductor size and overall power efficiency. The LM3406 will allow some shift in switching frequency when  $V_O$  changes due to the number of LEDs in series, so the calculation for  $R_{ON}$  is done at the mid-point of three LEDs in series, where  $V_O = 11.8V$ . Note that the actual  $R_{ON}$  calculation is done with the high accuracy expression listed in the Appendix.

$$R_{ON} = \frac{1}{f_{SW} \times 1 \times 10^{-11}} \quad (20)$$

$$R_{ON} = 144 \text{ k}\Omega \quad (21)$$

The closest 1% tolerance resistor is 143 kΩ. The switching frequency and on-time of the circuit should be checked for one, three and five LEDs using the equations relating  $R_{ON}$  and  $t_{ON}$  to  $f_{SW}$ . As with the  $R_{ON}$  calculation, the actual  $f_{SW}$  and  $t_{ON}$  values have been calculated using the high accuracy expressions listed in the Appendix.

$$f_{SW} = \frac{1}{1 \times 10^{-11} \times R_{ON}} \quad (22)$$

$$f_{SW(1 \text{ LED})} = 362 \text{ kHz} \quad (23)$$

$$f_{SW(3 \text{ LEDs})} = 504 \text{ kHz} \quad (24)$$

$$f_{SW(5 \text{ LEDs})} = 555 \text{ kHz} \quad (25)$$

$$t_{ON} = 1 \times 10^{-11} \times R_{ON} \times \frac{V_O}{V_{IN}} \quad (26)$$

$$t_{ON(1 \text{ LED})} = 528 \text{ ns} \quad (27)$$

### Design Example 1 (continued)

$$t_{ON(3 \text{ LEDs})} = 1014 \text{ ns} \quad (28)$$

$$t_{ON(5 \text{ LEDs})} = 1512 \text{ ns} \quad (29)$$

### 8.3.2 OUTPUT INDUCTOR

Since an output capacitor will be used to filter some of the AC ripple current, the inductor ripple current can be set higher than the LED ripple current. A value of 40%<sub>P-P</sub> is typical in many buck converters:

$$\Delta i_L = 0.4 \times 1.5 = 0.6 A_{P-P} \quad (30)$$

With the target ripple current determined the inductance can be chosen:

$$L = \frac{V_{IN} - V_O}{\Delta i_L} \times t_{ON} \quad (31)$$

$$L_{MIN} = [(24 - 11.8) \times 1.01 \times 10^{-6}] / (0.6) = 20.5 \mu\text{H} \quad (32)$$

The closest standard inductor value is 22  $\mu\text{H}$ . The average current rating should be greater than 1.5A to prevent overheating in the inductor. Inductor current ripple should be calculated for one, three and five LEDs:

$$\Delta i_{L(1 \text{ LED})} = [(24 - 4.1) \times 5.28 \times 10^{-7}] / 22 \times 10^{-6} = 478 \text{ mA}_{P-P} \quad (33)$$

$$\Delta i_{L(3 \text{ LEDs})} = [(24 - 11.8) \times 1.01 \times 10^{-6}] / 22 \times 10^{-6} = 560 \text{ mA}_{P-P} \quad (34)$$

$$\Delta i_{L(5 \text{ LEDs})} = [(24 - 19.7) \times 1.51 \times 10^{-6}] / 22 \times 10^{-6} = 295 \text{ mA}_{P-P} \quad (35)$$

The peak LED/inductor current is then estimated. This calculation uses the worst-case ripple current which occurs with three LEDs.

$$I_{L(PEAK)} = I_L + 0.5 \times \Delta i_{L(MAX)} \quad (36)$$

$$I_{L(PEAK)} = 1.5 + 0.5 \times 0.56 = 1.78\text{A} \quad (37)$$

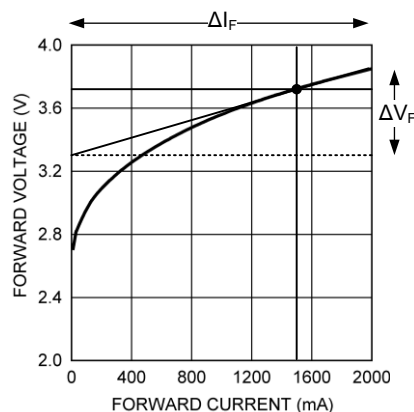
In order to prevent inductor saturation the inductor's peak current rating must be above 1.8A. A 22  $\mu\text{H}$  off-the-shelf inductor rated to 2.1A (peak) and 1.9A (average) with a DCR of 59 m $\Omega$  will be used.

### 8.3.3 USING AN OUTPUT CAPACITOR

This application does not require high frequency PWM dimming, allowing the use of an output capacitor to reduce the size and cost of the output inductor while still meeting the 10%<sub>P-P</sub> target for LED ripple current. To select the proper output capacitor the equation from Buck Regulators with Output Capacitors is re-arranged to yield the following:

$$Z_C = \frac{\Delta i_F}{\Delta i_L - \Delta i_F} \times r_D \quad (38)$$

The dynamic resistance,  $r_D$ , of one LED can be calculated by taking the tangent line to the  $V_F$  vs.  $I_F$  curve in the LED datasheet. shows an example  $r_D$  calculation.



Calculating  $r_D$  from the  $V_F$  vs.  $I_F$  Curve

### Design Example 1 (continued)

Extending the tangent line to the ends of the plot yields values for  $\Delta V_F$  and  $\Delta I_F$  of 0.7V and 2000 mA, respectively. Dynamic resistance is then:

$$r_D = \Delta V_F / \Delta I_F = 0.5V / 2A = 0.25\Omega \quad (39)$$

The most filtering (and therefore the highest output capacitance) is needed when  $r_D$  is lowest, which is when there is only one LED. Inductor ripple current with one LED is 478 mA<sub>P-P</sub>. The required impedance of  $C_O$  is calculated:

$$Z_C = [0.15 / (0.478 - 0.15)] \times 0.35 = 0.114\Omega \quad (40)$$

A ceramic capacitor will be used and the required capacitance is selected based on the impedance at 362 kHz:

$$C_O = 1 / (2 \times \pi \times 0.16 \times 3.62 \times 10^5) = 3.9 \mu F \quad (41)$$

This calculation assumes that  $C_O$  will be a ceramic capacitor, and therefore impedance due to the equivalent series resistance (ESR) and equivalent series inductance (ESL) of the device is negligible. The closest 10% tolerance capacitor value is 4.7  $\mu F$ . The capacitor used should be rated to 25V or more and have an X7R dielectric. Several manufacturers produce ceramic capacitors with these specifications in the 1206 case size. A typical value for ESR of 3 m $\Omega$  can be read from the curve of impedance vs. frequency in the product datasheet.

#### 8.3.4 R<sub>SNS</sub>

Using the expression for  $R_{SNS}$ :

$$R_{SNS} = 0.2 / I_F \quad (42)$$

$$R_{SNS} = 0.2 / 1.5 = 0.133\Omega \quad (43)$$

Sub-1 $\Omega$  resistors are available in both 1% and 5% tolerance. A 1%, 0.13 $\Omega$  device is the closest value, and a 0.33W, 1210 size device will handle the power dissipation of 290 mW. With the resistance selected, the average value of LED current is re-calculated to ensure that current is within the  $\pm 5\%$  tolerance requirement. From the expression for average LED current:

$$I_F = 0.2 / 0.13 = 1.54A, 3\% \text{ above the target current} \quad (44)$$

#### 8.3.5 INPUT CAPACITOR

Following the calculations from the Input Capacitor section,  $\Delta V_{IN(MAX)}$  will be  $24V \times 2\%_{P-P} = 480 \text{ mV}$ . The minimum required capacitance is calculated for the largest  $t_{ON}$ , corresponding to five LEDs:

$$C_{IN(MIN)} = (1.5 \times 1.5 \times 10^{-6}) / 0.48 = 4.7 \mu F \quad (45)$$

As with the output capacitor, this required value is low enough to use a ceramic capacitor, and again the effective capacitance will be lower than the rated value with 24V across  $C_{IN}$ . Reviewing plots of %C vs. DC Bias for several capacitors reveals that a 4.7  $\mu F$ , 1812-size capacitor in X7R rated to 50V loses about 40% of its rated capacitance at 24V, hence two such caps are needed.

Input rms current is high in buck regulators, and the worst-case is when the duty cycle is 50%. Duty cycle in a buck regulator can be estimated as  $D = V_O / V_{IN}$ , and when this converter drives three LEDs the duty cycle will be nearly 50%.

$$I_{IN-RMS} = 1.5 \times \text{Sqrt}(0.5 \times 0.5) = 750 \text{ mA} \quad (46)$$

Ripple current ratings for 1812 size ceramic capacitors are typically higher than 2A, so two of them in parallel can tolerate more than enough for this design.

#### 8.3.6 RECIRCULATING DIODE

The input voltage of 24V  $\pm 5\%$  requires Schottky diodes with a reverse voltage rating greater than 30V. The next highest standard voltage rating is 40V. Selecting a 40V rated diode provides a large safety margin for the ringing of the switch node and also makes cross-referencing of diodes from different vendors easier.

The next parameters to be determined are the forward current rating and case size. The lower the duty cycle the more thermal stress is placed on the recirculating diode. When driving one LED the duty cycle can be estimated as:

$$D = 4.1 / 24 = 0.17 \quad (47)$$

The estimated average diode current is then:

$$I_D = (1 - 0.17) \times 1.54 = 1.28A \quad (48)$$

### Design Example 1 (continued)

A 2A-rated diode will be used. To determine the proper case size, the dissipation and temperature rise in D1 can be calculated as shown in the Design Considerations section.  $V_D$  for a case size such as SMB in a 40V, 2A Schottky diode at 1.5A is approximately 0.4V and the  $\theta_{JA}$  is 75°C/W. Power dissipation and temperature rise can be calculated as:

$$P_D = 1.28 \times 0.4 = 512 \text{ mW} \quad T_{RISE} = 0.51 \times 75 = 38^\circ\text{C} \quad (49)$$

#### 8.3.7 $C_B$ , $C_C$ AND $C_F$

The bootstrap capacitor  $C_B$  should always be a 22 nF ceramic capacitors with X7R dielectric. A 25V rating is appropriate for all application circuits. The COMP pin capacitor  $C_C$  and the linear regulator filter capacitor  $C_F$  should always be 100 nF ceramic capacitors, also with X7R dielectric and a 25V ratings.

#### 8.3.8 EFFICIENCY

To estimate the electrical efficiency of this example the power dissipation in each current carrying element can be calculated and summed. Electrical efficiency,  $\eta$ , should not be confused with the optical efficacy of the circuit, which depends upon the LEDs themselves. One calculation will be detailed for three LEDs in series, where  $V_O = 11.8\text{V}$ , and these calculations can be repeated for other numbers of LEDs.

Total output power,  $P_O$ , is calculated as:

$$P_O = I_F \times V_O = 1.54 \times 11.8 = 18.2\text{W} \quad (50)$$

Conduction loss,  $P_C$ , in the internal MOSFET:

$$P_C = (I_F^2 \times R_{DS(ON)}) \times D = (1.54^2 \times 0.75) \times 0.5 = 890 \text{ mW} \quad (51)$$

Gate charging and VCC loss,  $P_G$ , in the gate drive and linear regulator:

$$P_G = (I_{IN-OP} + f_{SW} \times Q_G) \times V_{IN} \quad P_G = (600 \times 10^{-6} + 5 \times 10^5 \times 9 \times 10^{-9}) \times 24 = 122 \text{ mW} \quad (52)$$

Switching loss,  $P_S$ , in the internal MOSFET:

$$P_S = 0.5 \times V_{IN} \times I_F \times (t_R + t_F) \times f_{SW} \quad P_S = 0.5 \times 24 \times 1.54 \times 40 \times 10^{-9} \times 5 \times 10^5 = 370 \text{ mW} \quad (53)$$

AC rms current loss,  $P_{CIN}$ , in the input capacitor:

$$P_{CIN} = I_{IN(rms)}^2 \times ESR = 0.75^2 \times 0.003 = 2 \text{ mW (negligible)} \quad (54)$$

DCR loss,  $P_L$ , in the inductor

$$P_L = I_F^2 \times DCR = 1.54^2 \times 0.06 = 142 \text{ mW} \quad (55)$$

Recirculating diode loss,  $P_D = (1 - 0.5) \times 1.54 \times 0.4 = 300 \text{ mW}$

Current Sense Resistor Loss,  $P_{SNS} = 293 \text{ mW}$

Electrical efficiency,  $\eta = P_O / (P_O + \text{Sum of all loss terms}) = 18.2 / (18.2 + 2.1) = 89\%$

Temperature Rise in the LM3406 IC is calculated as:

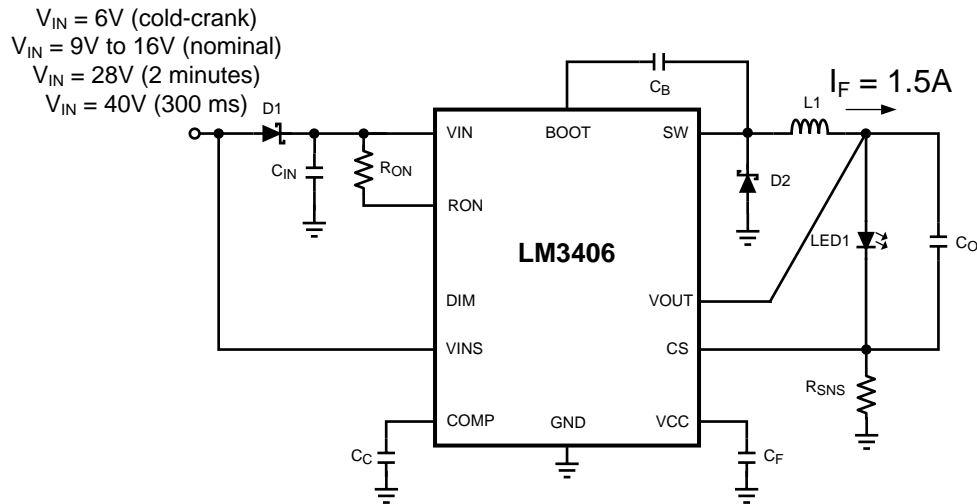
$$T_{LM3406} = (P_C + P_G + P_S) \times \theta_{JA} = (0.89 + 0.122 + 0.37) \times 50 = 69^\circ\text{C} \quad (56)$$

### 8.4 Design Example 2

The second example circuit uses the LM3406 to drive a single white LED at 1.5A  $\pm 10\%$  with a ripple current of 20%<sub>p-p</sub> in a typical 12V automotive electrical system. The two-wire dimming function will be employed in order to take advantage of the legacy 'theater dimming' method which dims and brightens the interior lights of automobiles by chopping the input voltage with a 200Hz PWM signal. As with the previous example, the typical  $V_F$  of a white LED is 3.9V, and with the current sense voltage of 0.2V the total output voltage will be 4.1V. The LED driver must operate to specifications over an input range of 9V to 16V as well as operating without suffering damage at 28V for two minutes (the 'double battery jump-start' test) and for 300 ms at 40V (the 'load-dump' test). The LED driver must also be able to operate without suffering damage at inputs as low as 6V to satisfy the 'cold crank' tests. A complete bill of materials can be found in [Table 2](#) at the end of this datasheet.



## Design Example 2 (continued)



Schematic for Design Example 2

### 8.4.1 $R_{ON}$ and $t_{ON}$

A switching frequency of 450 kHz helps balance the requirements of inductor size and overall power efficiency, but more importantly keeps the switching frequency below 530 kHz, where the AM radio band begins. This design will concentrate on meeting the switching frequency and LED current requirements over the nominal input range of 9V to 16V, and will then check to ensure that the transient conditions do not cause the LM3406 to overheat. The LM3406 will allow a small shift in switching frequency when  $V_{IN}$  changes, so the calculation for  $R_{ON}$  is done at the typical expected condition where  $V_{IN} = 13.8V$  and  $V_O = 4.1V$ . The actual  $R_{ON}$  calculation uses the high accuracy equation listed in the Appendix.

$$R_{ON} = \frac{1}{f_{SW} \times 1 \times 10^{-11}} \quad (57)$$

$$R_{ON} = 124 \text{ k}\Omega \quad (58)$$

The closest 1% tolerance resistor is 124 k $\Omega$ . The switching frequency and on-time of the circuit should be checked at  $V_{IN-MIN}$  and  $V_{IN-MAX}$  which are 9V and 16V, respectively. The actual  $f_{SW}$  and  $t_{ON}$  values have been calculated with the high accuracy equations in the APPENDIX.

$$f_{SW} = \frac{1}{1 \times 10^{-11} \times R_{ON}} \quad (59)$$

$$f_{SW(VMIN)} = 463 \text{ kHz} \quad (60)$$

$$f_{SW(VMAX)} = 440 \text{ kHz} \quad (61)$$

$$t_{ON} = 1 \times 10^{-11} \times R_{ON} \times \frac{V_O}{V_{IN}} \quad (62)$$

$$t_{ON(VMIN)} = 1090 \text{ ns} \quad (63)$$

$$t_{ON(VMAX)} = 650 \text{ ns} \quad (64)$$

### 8.4.2 OUTPUT INDUCTOR

Since an output capacitor will be used to filter some of the LED ripple current, the inductor ripple current can be set higher than the LED ripple current. A value of 40%<sub>P-P</sub> is typical in many buck converters:

$$\Delta i_L = 0.4 \times 1.5 = 0.6A_{P-P} \quad (65)$$

## Design Example 2 (continued)

The minimum inductance required to ensure a ripple current of 600 mA<sub>P-P</sub> or less is calculated at V<sub>IN-MAX</sub>:

$$L = \frac{V_{IN} - V_O}{\Delta i_L} \times t_{ON} \quad (66)$$

$$L_{MIN} = [(16 - 4.1) \times 6.5 \times 10^{-7}] / (0.6) = 12.9 \mu\text{H} \quad (67)$$

The closest standard inductor value is 15  $\mu\text{H}$ . The average current rating should be greater than 1.5A to prevent overheating in the inductor. Inductor current ripple should be calculated for V<sub>IN-MIN</sub> and V<sub>IN-MAX</sub>:

$$\Delta i_{L(VMIN)} = [(9 - 4.1) \times 6.5 \times 10^{-7}] / 15 \times 10^{-6} = 357 \text{ mA}_{P-P} \quad (68)$$

$$\Delta i_{L(VMAX)} = [(16 - 4.1) \times 1.09 \times 10^{-6}] / 15 \times 10^{-6} = 516 \text{ mA}_{P-P} \quad (69)$$

The peak LED/inductor current is then estimated. This calculation uses the worst-case ripple current which occurs at V<sub>IN-MAX</sub>.

$$I_{L(PEAK)} = I_L + 0.5 \times \Delta i_{L(MAX)} \quad (70)$$

$$I_{L(PEAK)} = 1.5 + 0.5 \times 0.516 = 1.76\text{A} \quad (71)$$

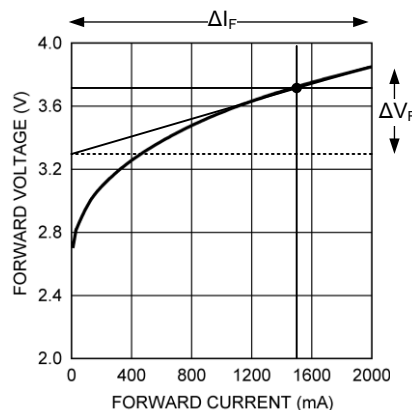
In order to prevent inductor saturation the inductor's peak current rating must be above 1.8A. A 15  $\mu\text{H}$  off-the-shelf inductor rated to 2.4A (peak) and 2.2A (average) with a DCR of 47 m $\Omega$  will be used.

### 8.4.3 USING AN OUTPUT CAPACITOR

This application does not require high frequency PWM dimming, allowing the use of an output capacitor to reduce the size and cost of the output inductor while still meeting the 20%<sub>P-P</sub> (300 mA) target for LED ripple current. To select the proper output capacitor the equation from Buck Regulators with Output Capacitors is rearranged to yield the following:

$$Z_C = \frac{\Delta i_F}{\Delta i_L - \Delta i_F} \times r_D \quad (72)$$

The dynamic resistance, r<sub>D</sub>, of one LED can be calculated by taking the tangent line to the V<sub>F</sub> vs. I<sub>F</sub> curve in the LED datasheet. shows an example r<sub>D</sub> calculation.



#### Calculating r<sub>D</sub> from the V<sub>F</sub> vs. I<sub>F</sub> Curve

Extending the tangent line to the ends of the plot yields values for  $\Delta V_F$  and  $\Delta I_F$  of 0.7V and 2000 mA, respectively. Dynamic resistance is then:

$$r_D = \Delta V_F / \Delta I_F = 0.5\text{V} / 2\text{A} = 0.25\Omega \quad (73)$$

The most filtering (and therefore the highest output capacitance) is needed when  $\Delta i_L$  is highest, which occurs at V<sub>IN-MAX</sub>. Inductor ripple current with one LED is 516 mA<sub>P-P</sub>. The required impedance of C<sub>O</sub> is calculated:

$$Z_C = [0.3 / (0.516 - 0.3)] \times 0.35 = 0.35\Omega \quad (74)$$

A ceramic capacitor will be used and the required capacitance is selected based on the impedance at 440 kHz:

$$C_O = 1 / (2 \times \pi \times 0.49 \times 4.4 \times 10^5) = 1.03 \mu\text{F} \quad (75)$$

## Design Example 2 (continued)

This calculation assumes that  $C_O$  will be a ceramic capacitor, and therefore impedance due to the equivalent series resistance (ESR) and equivalent series inductance (ESL) of the device is negligible. The closest 10% tolerance capacitor value is 1.5  $\mu\text{F}$ . The capacitor used should have an X7R dielectric and should be rated to 50V. The high voltage rating ensures that  $C_O$  will not be damaged if the LED fails open circuit and a load dump occurs. Several manufacturers produce ceramic capacitors with these specifications in the 1206 case size. With only 4V of DC bias a 50V rated ceramic capacitor will have better than 90% of its rated capacitance, which is more than enough for this design.

### 8.4.4 $R_{\text{SNS}}$

Using the expression for  $R_{\text{SNS}}$ :

$$R_{\text{SNS}} = 0.2 / I_F \quad (76)$$

$$R_{\text{SNS}} = 0.2 / 1.5 = 0.133\Omega \quad (77)$$

Sub-1 $\Omega$  resistors are available in both 1% and 5% tolerance. A 1%, 0.13 $\Omega$  device is the closest value, and a 0.33W, 1210 size device will handle the power dissipation of 290 mW. With the resistance selected, the average value of LED current is re-calculated to ensure that current is within the  $\pm 5\%$  tolerance requirement. From the expression for average LED current:

$$I_F = 0.2 / 0.13 = 1.54\text{A}, 3\% \text{ above the target current} \quad (78)$$

### 8.4.5 INPUT CAPACITOR

Controlling input ripple current and voltage is critical in automotive applications where stringent conducted electromagnetic interference tests are required.  $\Delta V_{\text{IN(MAX)}}$  will be limited to 300 mV<sub>P-P</sub> or less. The minimum required capacitance is calculated for the largest  $t_{\text{ON}}$ , 1090 ns, which occurs at the minimum input voltage. Using the equations from the Input Capacitors section:

$$C_{\text{IN(MIN)}} = (1.5 \times 1.09 \times 10^{-6}) / 0.3 = 5.5 \mu\text{F} \quad (79)$$

As with the output capacitor, this required value is low enough to use a ceramic capacitor, and again the effective capacitance will be lower than the rated value with 16V across  $C_{\text{IN}}$ . Reviewing plots of %C vs. DC Bias for several capacitors reveals that a 3.3  $\mu\text{F}$ , 1210-size capacitor in X7R rated to 50V loses about 22% of its rated capacitance at 16V, hence two such caps are needed.

Input rms current is high in buck regulators, and the worst-case is when the duty cycle is 50%. Duty cycle in a buck regulator can be estimated as  $D = V_O / V_{\text{IN}}$ , and when  $V_{\text{IN}}$  drops to 9V the duty cycle will be nearly 50%.

$$I_{\text{IN-RMS}} = 1.5 \times \text{Sqrt}(0.5 \times 0.5) = 750 \text{ mA} \quad (80)$$

Ripple current ratings for 1210 size ceramic capacitors are typically higher than 2A, so two of them in parallel can tolerate more than enough for this design.

### 8.4.6 RECIRCULATING DIODE

To survive an input voltage transient of 40V the Schottky diode must be rated to a higher voltage. The next highest standard voltage rating is 60V. Selecting a 60V rated diode provides a large safety margin for the ringing of the switch node and also makes cross-referencing of diodes from different vendors easier.

The next parameters to be determined are the forward current rating and case size. The lower the duty cycle the more thermal stress is placed on the recirculating diode. When driving one LED the duty cycle can be estimated as:

$$D = 4.1 / 13.8 = 0.3 \quad (81)$$

The estimated average diode current is then:

$$I_D = (1 - 0.3) \times 1.54 = 1.1\text{A} \quad (82)$$

A 2A-rated diode will be used. To determine the proper case size, the dissipation and temperature rise in D1 can be calculated as shown in the Design Considerations section.  $V_D$  for a case size such as SMB in a 60V, 2A Schottky diode at 1.5A is approximately 0.4V and the  $\theta_{\text{JA}}$  is 75°C/W. Power dissipation and temperature rise can be calculated as:

$$P_D = 1.1 \times 0.4 = 440 \text{ mW} \quad T_{\text{RISE}} = 0.44 \times 75 = 33^\circ\text{C} \quad (83)$$

## Design Example 2 (continued)

### 8.4.7 $C_B$ , $C_C$ AND $C_F$

The bootstrap capacitor  $C_B$  should always be a 22 nF ceramic capacitors with X7R dielectric. A 25V rating is appropriate for all application circuits. The COMP pin capacitor  $C_C$  and the linear regulator filter capacitor  $C_F$  should always be 100 nF ceramic capacitors, also with X7R dielectric and a 25V ratings.

### 8.4.8 EFFICIENCY

To estimate the electrical efficiency of this example the power dissipation in each current carrying element can be calculated and summed. One calculation will be detailed for the nominal input voltage of 13.8V, and these calculations can be repeated for other numbers of LEDs.

Total output power,  $P_O$ , is calculated as:

$$P_O = I_F \times V_O = 1.54 \times 4.1 = 6.3\text{W} \quad (84)$$

Conduction loss,  $P_C$ , in the internal MOSFET:

$$P_C = (I_F^2 \times R_{\text{DS(on)}}) \times D = (1.54^2 \times 0.75) \times 0.3 = 530 \text{ mW} \quad (85)$$

Gate charging and VCC loss,  $P_G$ , in the gate drive and linear regulator:

$$P_G = (I_{\text{IN-OP}} + f_{\text{SW}} \times Q_G) \times V_{\text{IN}} \quad P_G = (600 \times 10^{-6} + 4.5 \times 10^5 \times 9 \times 10^{-9}) \times 13.8 = 64 \text{ mW} \quad (86)$$

Switching loss,  $P_S$ , in the internal MOSFET:

$$P_S = 0.5 \times V_{\text{IN}} \times I_F \times (t_R + t_F) \times f_{\text{SW}} \quad P_S = 0.5 \times 13.8 \times 1.54 \times 40 \times 10^{-9} \times 4.5 \times 10^5 = 190 \text{ mW} \quad (87)$$

AC rms current loss,  $P_{\text{CIN}}$ , in the input capacitor:

$$P_{\text{CIN}} = I_{\text{IN(rms)}}^2 \times \text{ESR} = 0.75^2 \times 0.003 = 2 \text{ mW (negligible)} \quad (88)$$

DCR loss,  $P_L$ , in the inductor

$$P_L = I_F^2 \times \text{DCR} = 1.54^2 \times 0.05 = 120 \text{ mW} \quad (89)$$

Recirculating diode loss,  $P_D = (1 - 0.3) \times 1.54 \times 0.4 = 430 \text{ mW}$

Current Sense Resistor Loss,  $P_{\text{SNS}} = 293 \text{ mW}$

Electrical efficiency,  $\eta = P_O / (P_O + \text{Sum of all loss terms}) = 6.3 / (6.3 + 1.6) = 80\%$

Temperature Rise in the LM3406 IC is calculated as:

$$T_{\text{LM3406}} = (P_C + P_G + P_S) \times \theta_{\text{JA}} = (0.53 + 0.06 + 0.19) \times 50 = 39^\circ\text{C} \quad (90)$$

## 8.5 Thermal Considerations During Input Transients

The error amplifier of the LM3406 ensures that average LED current is controlled even at the transient load-dump voltage of 40V, leaving thermal considerations as a primary design consideration during high voltage transients. A review of the operating conditions at an input of 40V is still useful to make sure that the LM3406 die temperature is not exceeded. Switching frequency drops to 325 kHz, the on-time drops to 350 ns, and the duty cycle drops to 0.12. Repeating the calculations for conduction, gate charging and switching loss leads to a total internal loss of 731 mW, and hence a die temperature rise of 37°C. The LM3406 should operate properly even if the ambient temperature is as high a 85°C.

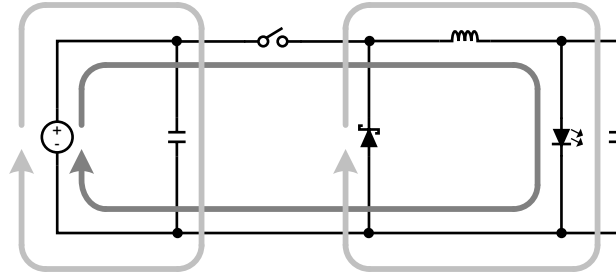
## 8.6 Layout Considerations

The performance of any switching converter depends as much upon the layout of the PCB as the component selection. The following guidelines will help the user design a circuit with maximum rejection of outside EMI and minimum generation of unwanted EMI.

### 8.6.1 COMPACT LAYOUT

Parasitic inductance can be reduced by keeping the power path components close together and keeping the area of the loops that high currents travel small. Short, thick traces or copper pours (shapes) are best. In particular, the switch node (where L1, D1, and the SW pin connect) should be just large enough to connect all three components without excessive heating from the current it carries. The LM3406 family operates in two distinct cycles whose high current paths are shown in :

## Layout Considerations (continued)



**Buck Converter Current Loops**

The dark grey, inner loop represents the high current path during the MOSFET on-time. The light grey, outer loop represents the high current path during the off-time.

### 8.6.2 GROUND PLANE AND SHAPE ROUTING

The diagram of is also useful for analyzing the flow of continuous current vs. the flow of pulsating currents. The circuit paths with current flow during both the on-time and off-time are considered to be continuous current, while those that carry current during the on-time or off-time only are pulsating currents. Preference in routing should be given to the pulsating current paths, as these are the portions of the circuit most likely to emit EMI. The ground plane of a PCB is a conductor and return path, and it is susceptible to noise injection just as any other circuit path. The continuous current paths on the ground net can be routed on the system ground plane with less risk of injecting noise into other circuits. The path between the input source and the input capacitor and the path between the recirculating diode and the LEDs/current sense resistor are examples of continuous current paths. In contrast, the path between the recirculating diode and the input capacitor carries a large pulsating current. This path should be routed with a short, thick shape, preferably on the component side of the PCB. Do not place any vias near the anode of Schottky diode. Instead, multiple vias in parallel should be used right at the pad of the input capacitor to connect the component side shapes to the ground plane. A second pulsating current loop that is often ignored is the gate drive loop formed by the SW and BOOT pins and capacitor  $C_B$ . To minimize this loop and the EMI it generates, keep  $C_B$  close to the SW and BOOT pins.

### 8.6.3 CURRENT SENSING

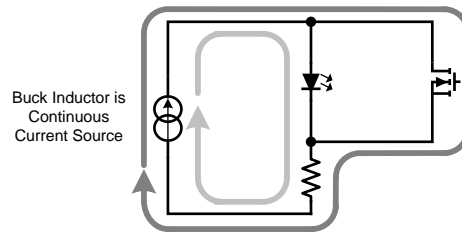
The CS pin is a high-impedance input, and the loop created by  $R_{SNS}$ ,  $R_Z$  (if used), the CS pin and ground should be made as small as possible to maximize noise rejection.  $R_{SNS}$  should therefore be placed as close as possible to the CS and GND pins of the IC.

### 8.6.4 REMOTE LED ARRAYS

In some applications the LED or LED array can be far away (several inches or more) from the LM3406 family, or on a separate PCB connected by a wiring harness. When an output capacitor is used and the LED array is large or separated from the rest of the converter, the output capacitor should be placed close to the LEDs to reduce the effects of parasitic inductance on the AC impedance of the capacitor. The current sense resistor should remain on the same PCB, close to the LM3406 family.

Remote LED arrays and high speed dimming with a parallel FET must be treated with special care. The parallel dimming FET should be placed on the same board and/or heatsink as the LEDs to minimize the loop area between them, as the switching of output current by the parallel FET produces a pulsating current just like the switching action of the LM3406's internal power FET and the Schottky diode. shows the path that the inductor current takes through the LED or through the dimming FET. To minimize the EMI from parallel FET dimming the parasitic inductance of the loop formed by the LED and the dimming FET (where only the dark grey arrows appear) should be reduced as much as possible. Parasitic inductance of a loop is mostly controlled by the loop area, hence making this loop as physically small (short) as possible will reduce the inductance.

## Layout Considerations (continued)



### Parallel FET Dimming Current Loops

**Table 1. BOM for Design Example 1**

| ID           | Part Number         | Type           | Size            | Parameters                      | Qty | Vendor       |
|--------------|---------------------|----------------|-----------------|---------------------------------|-----|--------------|
| U1           | LM3406              | LED Driver     | eTSSOP-14       | 42V, 2A                         | 1   | NSC          |
| L1           | SLF10145T-220M1R-PF | Inductor       | 10 x 10 x 4.5mm | 22 $\mu$ H, 1.9A, 59 m $\Omega$ | 1   | TDK          |
| D1           | CMSH2-40            | Schottky Diode | SMB             | 40V, 2A                         | 1   | Central Semi |
| Cc, Cf       | VJ0603Y104KXXAT     | Capacitor      | 0603            | 100 nF 10%                      | 2   | Vishay       |
| Cb           | VJ0603Y223KXXAT     | Capacitor      | 0603            | 22 nF 10%                       | 1   | Vishay       |
| Cin1<br>Cin2 | C4532X7R1H475M      | Capacitor      | 1812            | 4.7 $\mu$ F, 50V                | 2   | TDK          |
| Co           | C2012X7R1E105M      | Capacitor      | 0805            | 1.0 $\mu$ F, 25V                | 1   | TDK          |
| Rsns         | ERJ14RQFR13V        | Resistor       | 1210            | 0.13 $\Omega$ 1%                | 1   | Panasonic    |
| Ron          | CRCW08051433F       | Resistor       | 0805            | 143 k $\Omega$ 1%               | 1   | Vishay       |

**Table 2. BOM for Design Example 2**

| ID           | Part Number         | Type           | Size            | Parameters                      | Qty | Vendor       |
|--------------|---------------------|----------------|-----------------|---------------------------------|-----|--------------|
| U1           | LM3406              | LED Driver     | eTSSOP-14       | 42V, 2A                         | 1   | NSC          |
| L1           | SLF10145T-150M2R2-P | Inductor       | 10 x 10 x 4.5mm | 15 $\mu$ H, 2.2A, 47 m $\Omega$ | 1   | TDK          |
| D1           | CMSH2-60            | Schottky Diode | SMB             | 60V, 2A                         | 1   | Central Semi |
| Cc, Cf       | VJ0603Y104KXXAT     | Capacitor      | 0603            | 100 nF 10%                      | 2   | Vishay       |
| Cb           | VJ0603Y223KXXAT     | Capacitor      | 0603            | 22 nF 10%                       | 1   | Vishay       |
| Cin1<br>Cin2 | C3225X7R1H335M      | Capacitor      | 1210            | 3.3 $\mu$ F, 50V                | 2   | TDK          |
| Co           | C3216X7R1H105M      | Capacitor      | 1206            | 0.15 $\mu$ F, 50V               | 1   | TDK          |
| Rsns         | ERJ14RQFR13V        | Resistor       | 1210            | 0.13 $\Omega$ 1%                | 1   | Panasonic    |
| Ron          | CRCW08051243F       | Resistor       | 0805            | 124 k $\Omega$ 1%               | 1   | Vishay       |
| Rpd          | CRCW08051002F       | Resistor       | 0805            | 10 k $\Omega$ 1%                | 1   | Vishay       |

**Table 3. Bill of Materials for Efficiency Curves**

| ID           | Part Number       | Type            | Size            | Parameters                      | Qty | Vendor       |
|--------------|-------------------|-----------------|-----------------|---------------------------------|-----|--------------|
| U1           | LM3406            | Buck LED Driver | eTSSOP-14       | 42V, 1.5A                       | 1   | NSC          |
| Q1           | Si3458DV          | N-MOSFET        | SOT23-6         | 60V, 2.8A                       | 1   | Vishay       |
| D1           | CMSH2-60M         | Schottky Diode  | SMA             | 60V, 2A                         | 1   | Central Semi |
| L1           | VLF10045T-330M2R3 | Inductor        | 10 x 10 x 4.5mm | 33 $\mu$ H, 2.3A, 70 m $\Omega$ | 1   | TDK          |
| Cin1<br>Cin2 | C4532X7R1H685M    | Capacitor       | 1812            | 6.8 $\mu$ F, 50V                | 2   | TDK          |
| Co           | C3216X7R1H474M    | Capacitor       | 1206            | 470 nF, 50V                     | 1   | TDK          |
| Cf, Cc       | VJ0603Y104KXXAT   | Capacitor       | 0603            | 100 nF 10%                      | 2   | Vishay       |

**Table 3. Bill of Materials for Efficiency Curves (continued)**

| ID                            | Part Number     | Type      | Size   | Parameters | Qty | Vendor    |
|-------------------------------|-----------------|-----------|--------|------------|-----|-----------|
| Cb                            | VJ0603Y223KXXAT | Capacitor | 0603   | 22 nF 10%  | 1   | Vishay    |
| R3.5                          | ERJ6RQFR56V     | Resistor  | 0805   | 0.56Ω 1%   | 1   | Panasonic |
| R.7                           | ERJ6RQFR62V     | Resistor  | 0805   | 0.62Ω 1%   | 1   | Panasonic |
| R1                            | ERJ6RQFR30V     | Resistor  | 0805   | 0.3Ω 1%    | 1   | Panasonic |
| R1.5                          | ERJ6RQFR16V     | Resistor  | 0805   | 0.16Ω 1%   | 1   | Panasonic |
| Ron                           | CRCW08051433F   | Resistor  | 0805   | 143kΩ 1%   | 1   | Vishay    |
| Rpd Rout                      | CRCW06031002F   | Resistor  | 0603   | 10 kΩ 1%   | 2   | Vishay    |
| OFF*<br>DIM1<br>DIM2          | 160-1512        | Terminal  | 0.062" |            | 3   | Cambion   |
| VIN GND<br>CS/LED-<br>Vo/LED+ | 160-1026        | Terminal  | 0.094" |            | 2   | Cambion   |

## 8.7 APPENDIX

The following expressions provide the best accuracy for users who wish to create computer-based simulations or circuit calculators:

$$t_{ON} = \frac{9.92 \times 10^{-12} \times (V_O + 0.65) \times R_{ON}}{V_{IN} - 1.5} + 1.75 \times 10^{-7} \quad (91)$$

$$R_{ON} = \frac{(D - f_{SW} \times 1.75 \times 10^{-7}) \times (V_{IN} - 1.5)}{9.92 \times 10^{-12} \times f_{SW} \times (V_O + 0.65)} \quad (92)$$

$$f_{SW} = \frac{D \times (V_{IN} - 1.5)}{9.92 \times 10^{-12} \times (V_O + 0.65) \times R_{ON} + 1.75 \times 10^{-7} \times (V_{IN} - 1.5)} \quad (93)$$

## 9 Revision History

NOTE: Page numbers for previous revisions may differ from page numbers in the current version.

---

| <b>Changes from Revision D (April 2013) to Revision E</b> | <b>Page</b> |
|---|-------------|
|---|-------------|

---

- Added availability of LM3406HV-Q1, the automotive grade device throughout the data sheet. .... 1
- 

| <b>Changes from Revision C (May 2013) to Revision D</b> | <b>Page</b> |
|---|-------------|
|---|-------------|

---

- Changed layout of National Data Sheet to TI format ..... 31
-



**PACKAGING INFORMATION**

| Orderable part number            | Status<br>(1) | Material type<br>(2) | Package   Pins    | Package qty   Carrier | RoHS<br>(3) | Lead finish/<br>Ball material<br>(4) | MSL rating/<br>Peak reflow<br>(5) | Op temp (°C) | Part marking<br>(6) |
|----------------------------------|---------------|----------------------|-------------------|-----------------------|-------------|--------------------------------------|-----------------------------------|--------------|---------------------|
| <a href="#">LM3406HVMH/NOPB</a>  | Active        | Production           | HTSSOP (PWP)   14 | 94   TUBE             | Yes         | SN                                   | Level-1-260C-UNLIM                | -40 to 125   | LM3406<br>HVMH      |
| LM3406HVMH/NOPB.A                | Active        | Production           | HTSSOP (PWP)   14 | 94   TUBE             | Yes         | SN                                   | Level-1-260C-UNLIM                | -40 to 125   | LM3406<br>HVMH      |
| LM3406HVMH/NOPB.B                | Active        | Production           | HTSSOP (PWP)   14 | 94   TUBE             | Yes         | SN                                   | Level-1-260C-UNLIM                | -40 to 125   | LM3406<br>HVMH      |
| <a href="#">LM3406HVMHX/NOPB</a> | Active        | Production           | HTSSOP (PWP)   14 | 2500   LARGE T&R      | Yes         | SN                                   | Level-1-260C-UNLIM                | -40 to 125   | LM3406<br>HVMH      |
| LM3406HVMHX/NOPB.A               | Active        | Production           | HTSSOP (PWP)   14 | 2500   LARGE T&R      | Yes         | SN                                   | Level-1-260C-UNLIM                | -40 to 125   | LM3406<br>HVMH      |
| LM3406HVMHX/NOPB.B               | Active        | Production           | HTSSOP (PWP)   14 | 2500   LARGE T&R      | Yes         | SN                                   | Level-1-260C-UNLIM                | -40 to 125   | LM3406<br>HVMH      |
| <a href="#">LM3406HVQMHQ1</a>    | Active        | Production           | HTSSOP (PWP)   14 | 94   TUBE             | Yes         | SN                                   | Level-1-260C-UNLIM                | -40 to 150   | LM3406Q<br>HVMH     |
| LM3406HVQMHQ1.A                  | Active        | Production           | HTSSOP (PWP)   14 | 94   TUBE             | Yes         | SN                                   | Level-1-260C-UNLIM                | -40 to 150   | LM3406Q<br>HVMH     |
| LM3406HVQMHQ1.B                  | Active        | Production           | HTSSOP (PWP)   14 | 94   TUBE             | Yes         | SN                                   | Level-1-260C-UNLIM                | -40 to 150   | LM3406Q<br>HVMH     |
| <a href="#">LM3406HVQMHXQ1</a>   | Active        | Production           | HTSSOP (PWP)   14 | 2500   LARGE T&R      | Yes         | SN                                   | Level-1-260C-UNLIM                | -40 to 150   | LM3406Q<br>HVMH     |
| LM3406HVQMHXQ1.A                 | Active        | Production           | HTSSOP (PWP)   14 | 2500   LARGE T&R      | Yes         | SN                                   | Level-1-260C-UNLIM                | -40 to 150   | LM3406Q<br>HVMH     |
| LM3406HVQMHXQ1.B                 | Active        | Production           | HTSSOP (PWP)   14 | 2500   LARGE T&R      | Yes         | SN                                   | Level-1-260C-UNLIM                | -40 to 150   | LM3406Q<br>HVMH     |
| <a href="#">LM3406MH/NOPB</a>    | Active        | Production           | HTSSOP (PWP)   14 | 94   TUBE             | Yes         | SN                                   | Level-1-260C-UNLIM                | -40 to 125   | LM3406<br>MH        |
| LM3406MH/NOPB.A                  | Active        | Production           | HTSSOP (PWP)   14 | 94   TUBE             | Yes         | SN                                   | Level-1-260C-UNLIM                | -40 to 125   | LM3406<br>MH        |
| LM3406MH/NOPB.B                  | Active        | Production           | HTSSOP (PWP)   14 | 94   TUBE             | Yes         | SN                                   | Level-1-260C-UNLIM                | -40 to 125   | LM3406<br>MH        |
| <a href="#">LM3406MHX/NOPB</a>   | Active        | Production           | HTSSOP (PWP)   14 | 2500   LARGE T&R      | Yes         | SN                                   | Level-1-260C-UNLIM                | -40 to 125   | LM3406<br>MH        |

| Orderable part number | Status<br>(1) | Material type<br>(2) | Package   Pins    | Package qty   Carrier | RoHS<br>(3) | Lead finish/<br>Ball material<br>(4) | MSL rating/<br>Peak reflow<br>(5) | Op temp (°C) | Part marking<br>(6) |
|-----------------------|---------------|----------------------|-------------------|-----------------------|-------------|--------------------------------------|-----------------------------------|--------------|---------------------|
| LM3406MHX/NOPB.A      | Active        | Production           | HTSSOP (PWP)   14 | 2500   LARGE T&R      | Yes         | SN                                   | Level-1-260C-UNLIM                | -40 to 125   | LM3406<br>MH        |
| LM3406MHX/NOPB.B      | Active        | Production           | HTSSOP (PWP)   14 | 2500   LARGE T&R      | Yes         | SN                                   | Level-1-260C-UNLIM                | -40 to 125   | LM3406<br>MH        |

(1) **Status:** For more details on status, see our [product life cycle](#).

(2) **Material type:** When designated, preproduction parts are prototypes/experimental devices, and are not yet approved or released for full production. Testing and final process, including without limitation quality assurance, reliability performance testing, and/or process qualification, may not yet be complete, and this item is subject to further changes or possible discontinuation. If available for ordering, purchases will be subject to an additional waiver at checkout, and are intended for early internal evaluation purposes only. These items are sold without warranties of any kind.

(3) **RoHS values:** Yes, No, RoHS Exempt. See the [TI RoHS Statement](#) for additional information and value definition.

(4) **Lead finish/Ball material:** Parts may have multiple material finish options. Finish options are separated by a vertical ruled line. Lead finish/Ball material values may wrap to two lines if the finish value exceeds the maximum column width.

(5) **MSL rating/Peak reflow:** The moisture sensitivity level ratings and peak solder (reflow) temperatures. In the event that a part has multiple moisture sensitivity ratings, only the lowest level per JEDEC standards is shown. Refer to the shipping label for the actual reflow temperature that will be used to mount the part to the printed circuit board.

(6) **Part marking:** There may be an additional marking, which relates to the logo, the lot trace code information, or the environmental category of the part.

Multiple part markings will be inside parentheses. Only one part marking contained in parentheses and separated by a "-" will appear on a part. If a line is indented then it is a continuation of the previous line and the two combined represent the entire part marking for that device.

**Important Information and Disclaimer:** The information provided on this page represents TI's knowledge and belief as of the date that it is provided. TI bases its knowledge and belief on information provided by third parties, and makes no representation or warranty as to the accuracy of such information. Efforts are underway to better integrate information from third parties. TI has taken and continues to take reasonable steps to provide representative and accurate information but may not have conducted destructive testing or chemical analysis on incoming materials and chemicals. TI and TI suppliers consider certain information to be proprietary, and thus CAS numbers and other limited information may not be available for release.

In no event shall TI's liability arising out of such information exceed the total purchase price of the TI part(s) at issue in this document sold by TI to Customer on an annual basis.

**OTHER QUALIFIED VERSIONS OF LM3406HV, LM3406HV-Q1 :**

- Catalog : [LM3406HV](#)

- Automotive : [LM3406HV-Q1](#)

NOTE: Qualified Version Definitions:

- Catalog - TI's standard catalog product
- Automotive - Q100 devices qualified for high-reliability automotive applications targeting zero defects

**TAPE AND REEL INFORMATION**

**QUADRANT ASSIGNMENTS FOR PIN 1 ORIENTATION IN TAPE**


\*All dimensions are nominal

| Device           | Package Type | Package Drawing | Pins | SPQ  | Reel Diameter (mm) | Reel Width W1 (mm) | A0 (mm) | B0 (mm) | K0 (mm) | P1 (mm) | W (mm) | Pin1 Quadrant |
|------------------|--------------|-----------------|------|------|--------------------|--------------------|---------|---------|---------|---------|--------|---------------|
| LM3406HVMHX/NOPB | HTSSOP       | PWP             | 14   | 2500 | 330.0              | 12.4               | 6.95    | 5.6     | 1.6     | 8.0     | 12.0   | Q1            |
| LM3406HVQMHXQ1   | HTSSOP       | PWP             | 14   | 2500 | 330.0              | 12.4               | 6.95    | 5.6     | 1.6     | 8.0     | 12.0   | Q1            |
| LM3406MHX/NOPB   | HTSSOP       | PWP             | 14   | 2500 | 330.0              | 12.4               | 6.95    | 5.6     | 1.6     | 8.0     | 12.0   | Q1            |

## TAPE AND REEL BOX DIMENSIONS



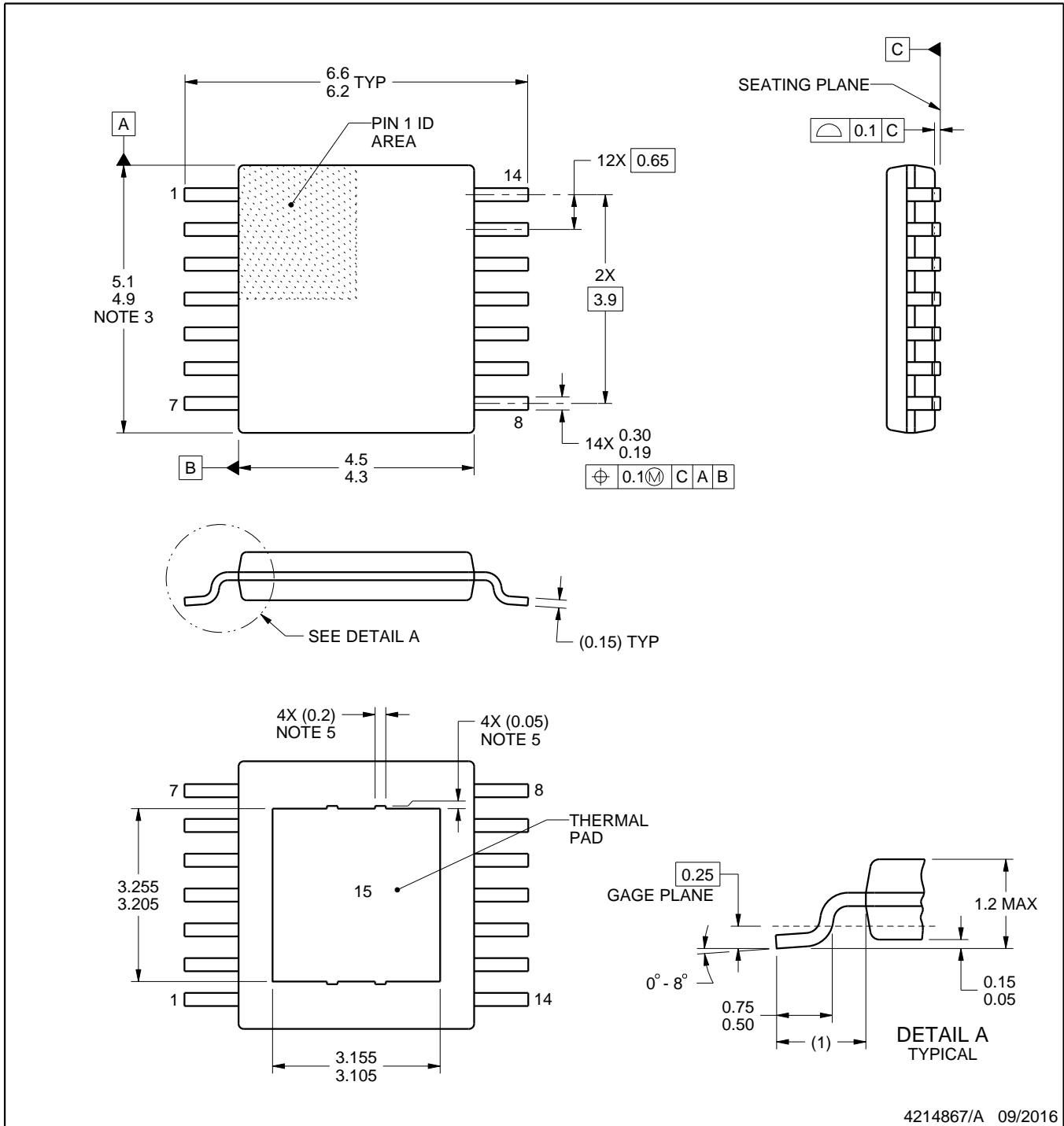
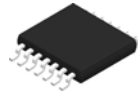
\*All dimensions are nominal

| Device           | Package Type | Package Drawing | Pins | SPQ  | Length (mm) | Width (mm) | Height (mm) |
|------------------|--------------|-----------------|------|------|-------------|------------|-------------|
| LM3406HVMHX/NOPB | HTSSOP       | PWP             | 14   | 2500 | 367.0       | 367.0      | 35.0        |
| LM3406HVQMHXQ1   | HTSSOP       | PWP             | 14   | 2500 | 367.0       | 367.0      | 35.0        |
| LM3406MHX/NOPB   | HTSSOP       | PWP             | 14   | 2500 | 367.0       | 367.0      | 35.0        |

**TUBE**


\*All dimensions are nominal

| Device            | Package Name | Package Type | Pins | SPQ | L (mm) | W (mm) | T (μm) | B (mm) |
|-------------------|--------------|--------------|------|-----|--------|--------|--------|--------|
| LM3406HVMH/NOPB   | PWP          | HTSSOP       | 14   | 94  | 495    | 8      | 2514.6 | 4.06   |
| LM3406HVMH/NOPB.A | PWP          | HTSSOP       | 14   | 94  | 495    | 8      | 2514.6 | 4.06   |
| LM3406HVMH/NOPB.B | PWP          | HTSSOP       | 14   | 94  | 495    | 8      | 2514.6 | 4.06   |
| LM3406HVQMHQ1     | PWP          | HTSSOP       | 14   | 94  | 495    | 8      | 2514.6 | 4.06   |
| LM3406HVQMHQ1.A   | PWP          | HTSSOP       | 14   | 94  | 495    | 8      | 2514.6 | 4.06   |
| LM3406HVQMHQ1.B   | PWP          | HTSSOP       | 14   | 94  | 495    | 8      | 2514.6 | 4.06   |
| LM3406MH/NOPB     | PWP          | HTSSOP       | 14   | 94  | 495    | 8      | 2514.6 | 4.06   |
| LM3406MH/NOPB.A   | PWP          | HTSSOP       | 14   | 94  | 495    | 8      | 2514.6 | 4.06   |
| LM3406MH/NOPB.B   | PWP          | HTSSOP       | 14   | 94  | 495    | 8      | 2514.6 | 4.06   |



4214867/A 09/2016

NOTES:

PowerPAD is a trademark of Texas Instruments.

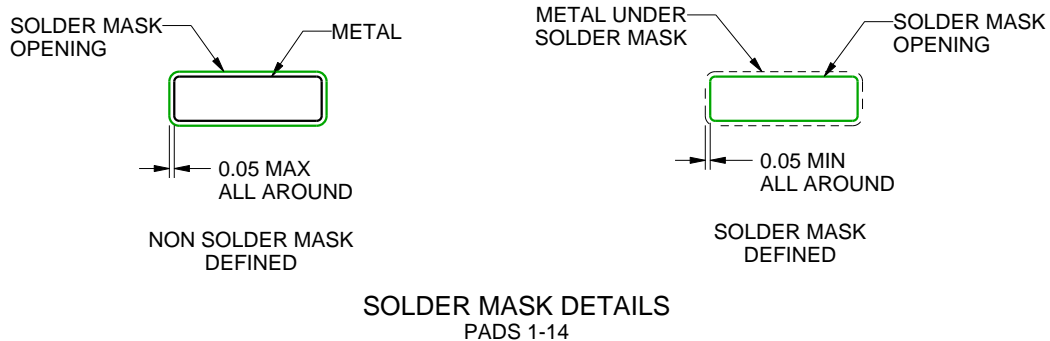
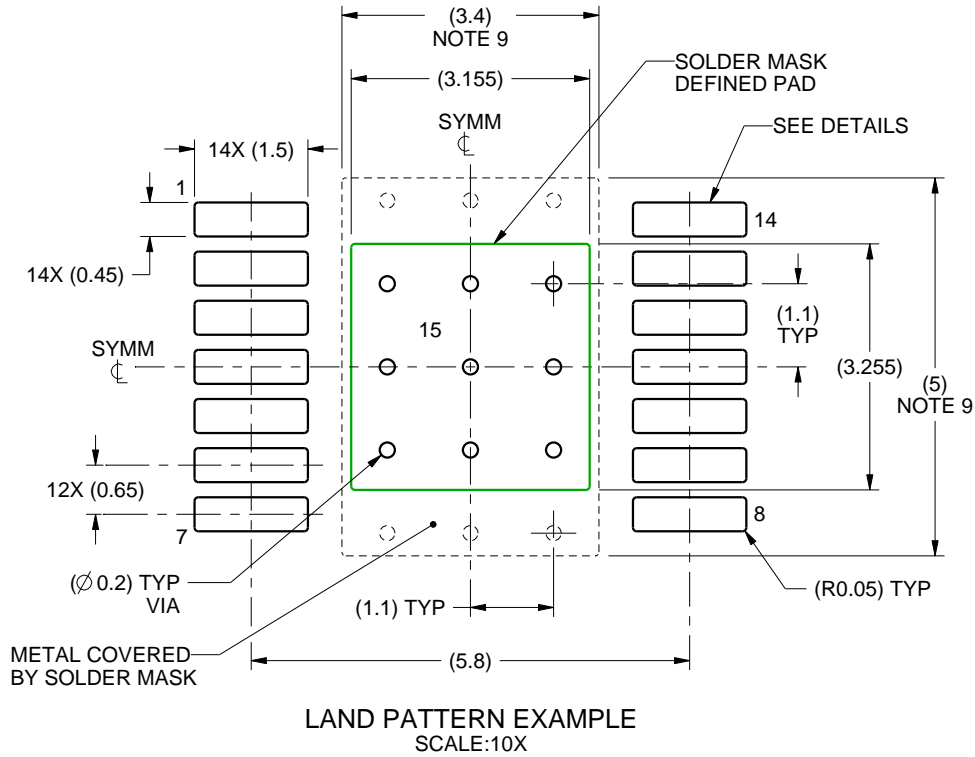
1. All linear dimensions are in millimeters. Any dimensions in parenthesis are for reference only. Dimensioning and tolerancing per ASME Y14.5M.
2. This drawing is subject to change without notice.
3. This dimension does not include mold flash, protrusions, or gate burrs. Mold flash, protrusions, or gate burrs shall not exceed 0.15 mm per side.
4. Reference JEDEC registration MO-153.
5. Features may differ and may not be present.

# EXAMPLE BOARD LAYOUT

PWP0014A

PowerPAD™ TSSOP - 1.2 mm max height

PLASTIC SMALL OUTLINE



4214867/A 09/2016

NOTES: (continued)

6. Publication IPC-7351 may have alternate designs.
7. Solder mask tolerances between and around signal pads can vary based on board fabrication site.
8. This package is designed to be soldered to a thermal pad on the board. For more information, see Texas Instruments literature numbers SLMA002 ([www.ti.com/lit/slma002](http://www.ti.com/lit/slma002)) and SLMA004 ([www.ti.com/lit/slma004](http://www.ti.com/lit/slma004)).
9. Size of metal pad may vary due to creepage requirement.

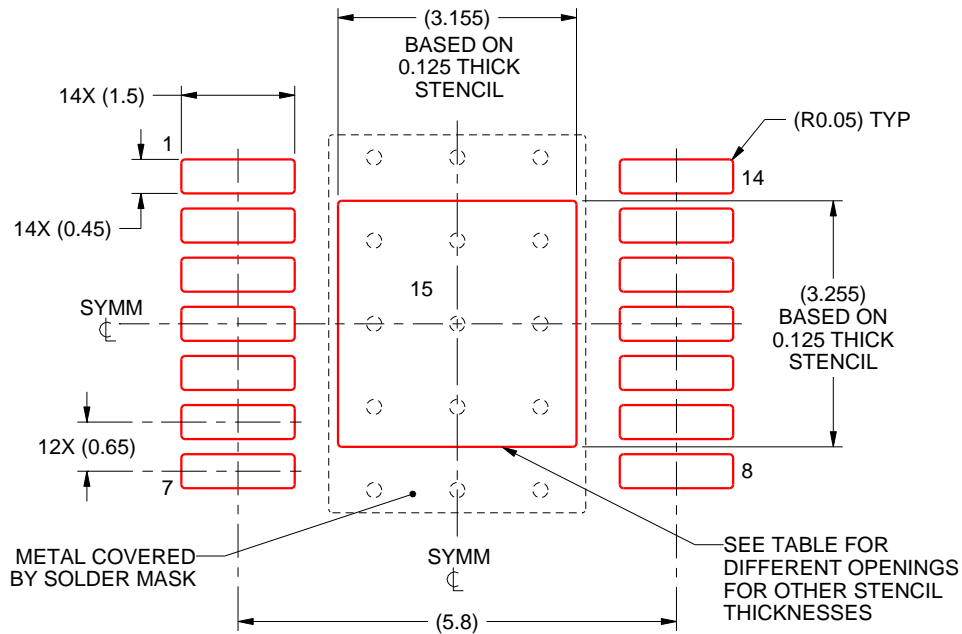


# EXAMPLE STENCIL DESIGN

PWP0014A

PowerPAD™ TSSOP - 1.2 mm max height

PLASTIC SMALL OUTLINE



SOLDER PASTE EXAMPLE  
 EXPOSED PAD  
 100% PRINTED SOLDER COVERAGE BY AREA  
 SCALE:10X

| STENCIL THICKNESS | SOLDER STENCIL OPENING |
|-------------------|------------------------|
| 0.1               | 3.53 X 3.64            |
| 0.125             | 3.155 X 3.255 (SHOWN)  |
| 0.15              | 2.88 X 2.97            |
| 0.175             | 2.67 X 2.75            |

4214867/A 09/2016

NOTES: (continued)

10. Laser cutting apertures with trapezoidal walls and rounded corners may offer better paste release. IPC-7525 may have alternate design recommendations.
11. Board assembly site may have different recommendations for stencil design.

## IMPORTANT NOTICE AND DISCLAIMER

TI PROVIDES TECHNICAL AND RELIABILITY DATA (INCLUDING DATASHEETS), DESIGN RESOURCES (INCLUDING REFERENCE DESIGNS), APPLICATION OR OTHER DESIGN ADVICE, WEB TOOLS, SAFETY INFORMATION, AND OTHER RESOURCES "AS IS" AND WITH ALL FAULTS, AND DISCLAIMS ALL WARRANTIES, EXPRESS AND IMPLIED, INCLUDING WITHOUT LIMITATION ANY IMPLIED WARRANTIES OF MERCHANTABILITY, FITNESS FOR A PARTICULAR PURPOSE OR NON-INFRINGEMENT OF THIRD PARTY INTELLECTUAL PROPERTY RIGHTS.

These resources are intended for skilled developers designing with TI products. You are solely responsible for (1) selecting the appropriate TI products for your application, (2) designing, validating and testing your application, and (3) ensuring your application meets applicable standards, and any other safety, security, regulatory or other requirements.

These resources are subject to change without notice. TI grants you permission to use these resources only for development of an application that uses the TI products described in the resource. Other reproduction and display of these resources is prohibited. No license is granted to any other TI intellectual property right or to any third party intellectual property right. TI disclaims responsibility for, and you fully indemnify TI and its representatives against any claims, damages, costs, losses, and liabilities arising out of your use of these resources.

TI's products are provided subject to [TI's Terms of Sale](#), [TI's General Quality Guidelines](#), or other applicable terms available either on [ti.com](#) or provided in conjunction with such TI products. TI's provision of these resources does not expand or otherwise alter TI's applicable warranties or warranty disclaimers for TI products. Unless TI explicitly designates a product as custom or customer-specified, TI products are standard, catalog, general purpose devices.

TI objects to and rejects any additional or different terms you may propose.

Copyright © 2025, Texas Instruments Incorporated

Last updated 10/2025