

## 适用于隔离式直流/直流转换器的 LM34927 集成式二次侧偏置稳压器

### 1 特性

- 7.5V 至 100V 宽输入电压范围
- 集成 600mA 高侧和低侧开关
- 无需肖特基二极管
- 恒定导通时间控制
- 无需环路补偿
- 超快瞬态响应
- 接近恒定的运行频率
- 智能峰值电流限制
- 可调节输出电压（以 1.225V 为基准电压）
- 2% 的反馈基准电压精度
- 频率可调至 1MHz
- 可调低压闭锁 (UVLO)
- 远程关断
- 热关断
- 封装：
  - 8 引脚 WSON
  - 8 引脚 SO PowerPAD™

### 2 应用

- 隔离式电信偏压电源
- 隔离式汽车和工业用电子元件

### 3 说明

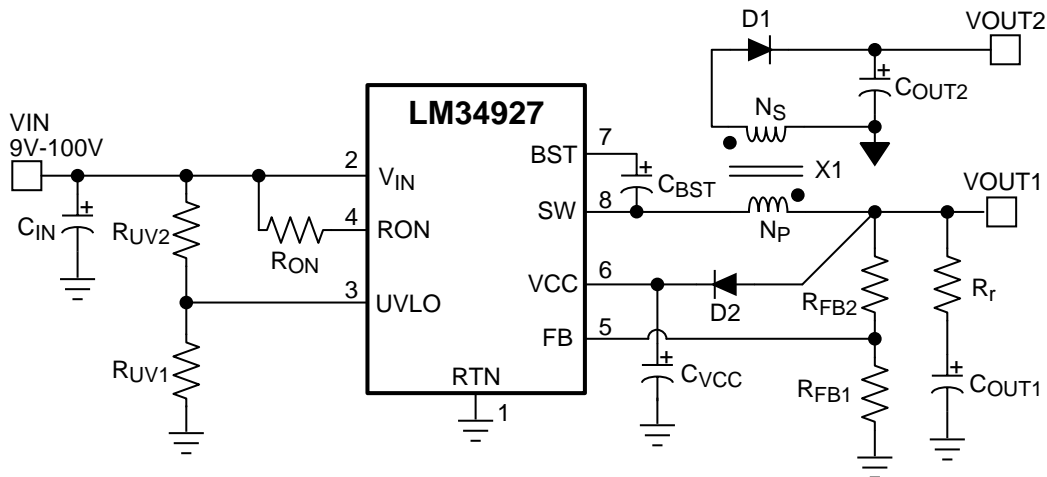
LM34927 稳压器 具有 实现低成本高效率的隔离式偏置稳压器所需的全部功能。此高压稳压器包含两个 100V N 沟道 MOSFET 开关 – 一个高侧降压开关和一个低侧同步开关。LM34927 器件所采用的恒定导通时间 (COT) 控制方案无需环路补偿，且可提供出色的瞬态响应。此稳压器的运行接通时间与输入电压成反比。此特性使得工作频率能够保持相对恒定。使用集成感测电路来执行智能峰值电流限制。其他 特性 包括一个用于抑制低压条件下运行的可编程输入欠压比较器。保护特性 包括热关断和  $V_{CC}$  欠压锁定 (UVLO)。LM34927 器件采用 WSON-8 和 SO PowerPAD-8 塑料封装。

#### 器件信息<sup>(1)</sup>

器件型号	封装	封装尺寸 (标称值)
LM34927	SO PowerPAD (8)	4.89mm x 3.90mm
	WSON (8)	4.00mm x 4.00mm

(1) 如需了解所有可用封装，请参阅数据表末尾的可订购产品附录。

#### 典型应用



## 目录

<b>1</b>	特性 .....	<b>1</b>	7.4	Device Functional Modes .....	<b>15</b>
<b>2</b>	应用 .....	<b>1</b>	<b>8</b>	<b>Application and Implementation</b> .....	<b>16</b>
<b>3</b>	说明 .....	<b>1</b>	8.1	Application Information .....	<b>16</b>
<b>4</b>	修订历史记录 .....	<b>2</b>	8.2	Typical Applications .....	<b>16</b>
<b>5</b>	<b>Pin Configuration and Functions</b> .....	<b>4</b>	<b>9</b>	<b>Power Supply Recommendations</b> .....	<b>21</b>
<b>6</b>	<b>Specifications</b> .....	<b>5</b>	<b>10</b>	<b>Layout</b> .....	<b>21</b>
6.1	Absolute Maximum Ratings .....	<b>5</b>	10.1	Layout Guidelines .....	<b>21</b>
6.2	ESD Ratings .....	<b>5</b>	10.2	Layout Example .....	<b>21</b>
6.3	Recommended Operating Conditions .....	<b>5</b>	10.3	Thermal Curves .....	<b>21</b>
6.4	Thermal Information .....	<b>5</b>	<b>11</b>	<b>器件和文档支持</b> .....	<b>22</b>
6.5	Electrical Characteristics .....	<b>6</b>	11.1	接收文档更新通知 .....	<b>22</b>
6.6	Switching Characteristics .....	<b>7</b>	11.2	社区资源 .....	<b>22</b>
6.7	Typical Characteristics .....	<b>7</b>	11.3	商标 .....	<b>22</b>
<b>7</b>	<b>Detailed Description</b> .....	<b>10</b>	11.4	静电放电警告 .....	<b>22</b>
7.1	Overview .....	<b>10</b>	11.5	Glossary .....	<b>22</b>
7.2	Functional Block Diagram .....	<b>10</b>	<b>12</b>	<b>机械、封装和可订购信息</b> .....	<b>22</b>
7.3	Feature Description .....	<b>11</b>			

## 4 修订历史记录

### Changes from Revision G (December 2014) to Revision H Page

• Deleted lead temperature from <i>Abs Max</i> table .....	<b>5</b>
• Changed 14 V to 13 V in <i>V<sub>CC Regulator</sub></i> section .....	<b>12</b>

### Changes from Revision F (December 2013) to Revision G Page

• 已添加 引脚配置和功能 部分、 <i>ESD</i> 额定值表、特性说明、器件功能模式、应用和实施、电源相关建议、布局、器件和文档支持以及机械、封装和可订购信息部分 .....	<b>1</b>
• Changed <i>Thermal Information</i> table .....	<b>5</b>
• Changed <i>T<sub>ON</sub> vs V<sub>IN</sub> and R<sub>ON</sub></i> in <i>Typical Characteristics</i> .....	<b>7</b>
• Deleted <i>3-W Isolated Bias Application Schematic</i> , <i>Lowest Part Count Isolated Application Schematic</i> , and <i>Typical Buck Configuration</i> graphics .....	<b>9</b>
• Changed <i>Control Overview</i> section .....	<b>11</b>
• Changed <i>Soft-Start Circuit</i> , <i>Isolated Fly-Buck Converter</i> graphics .....	<b>15</b>

### Changes from Revision E (December 2013) to Revision F Page

• Added Thermal Parameters .....	<b>5</b>
• Added Thermal Derating Curve .....	<b>21</b>

---

**Changes from Revision D (September 2013) to Revision E** **Page**

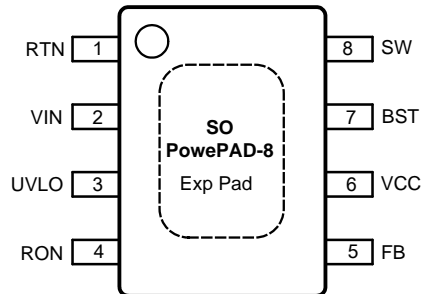
- 已更改 将特性和典型应用 中的最小工作输入电压由 9V 更改成了 7.5V; 将格式更改为 TI 标准 ..... 1
  - Added abs max junction temp; changed min op. input V from 9 to 7.5 V in ROC table ..... 5
- 

**Changes from Revision C (July 2013) to Revision D** **Page**

- Added SW to RTN (100-ns transient) to *Absolute Maximum Ratings* ..... 5
-

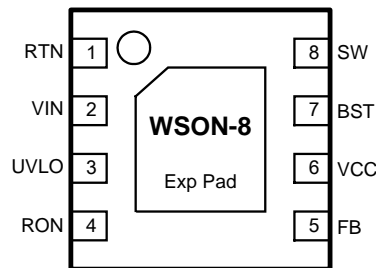
## 5 Pin Configuration and Functions

DDA Package  
8-Pin SO PowerPAD  
Top View



Connect Exposed Pad to RTN

8-Pin WSON With Exposed Thermal Pad  
NGU Package  
Top View



### Pin Functions

PIN		I/O	DESCRIPTION	APPLICATION INFORMATION
NO.	NAME			
1	RTN	—	Ground	Ground connection of the integrated circuit.
2	VIN	I	Input voltage	Operating input range is 7.5 V to 100 V.
3	UVLO	I	Input pin of undervoltage comparator	Resistor divider from $V_{IN}$ to UVLO to GND programs the undervoltage detection threshold. An internal current source is enabled when UVLO is above 1.225 V to provide hysteresis. When UVLO pin is pulled below 0.66 V externally, the parts goes in shutdown mode.
4	RON	I	On-time control	A resistor between this pin and $V_{IN}$ sets the switch on-time as a function of $V_{IN}$ . Minimum recommended on-time is 100 ns at max input voltage.
5	FB	I	Feedback	This pin is connected to the inverting input of the internal regulation comparator. The regulation level is 1.225 V.
6	VCC	O	Output from the internal high voltage series pass regulator; regulated at 7.6 V.	The internal $V_{CC}$ regulator provides bias supply for the gate drivers and other internal circuitry. A 1.0- $\mu$ F decoupling capacitor is recommended.
7	BST	I	Bootstrap capacitor	An external capacitor is required between the BST and SW pins (0.01- $\mu$ F ceramic). The BST pin capacitor is charged by the $V_{CC}$ regulator through an internal diode when the SW pin is low.
8	SW	O	Switching node	Power switching node. Connect to the output inductor and bootstrap capacitor.
—	EP	—	Exposed pad	Exposed pad must be connected to RTN pin. Connect to system ground plane on application board for reduced thermal resistance.

## 6 Specifications

### 6.1 Absolute Maximum Ratings

See <sup>(1)</sup>

	MIN	MAX	UNIT
V <sub>IN</sub> , UVLO to RTN	−0.3	100	V
SW to RTN	−1.5	V <sub>IN</sub> + 0.3	V
SW to RTN (100-ns transient)	−5	V <sub>IN</sub> + 0.3	V
BST to V <sub>CC</sub>		100	V
BST to SW		13	V
R <sub>ON</sub> to RTN	−0.3	100	V
V <sub>CC</sub> to RTN	−0.3	13	V
FB to RTN	−0.3	5	V
Maximum junction temperature <sup>(2)</sup>		150	°C
Storage temperature range	−55	150	°C

- (1) Stresses beyond those listed under *Absolute Maximum Ratings* may cause permanent damage to the device. These are stress ratings only, which do not imply functional operation of the device at these or any other conditions beyond those indicated under *Recommended Operating Conditions*. Exposure to absolute-maximum-rated conditions for extended periods may affect device reliability.
- (2) High junction temperatures degrade operating lifetimes. Operating lifetime is de-rated for junction temperatures greater than 125°C.

### 6.2 ESD Ratings

		VALUE	UNIT
V <sub>(ESD)</sub> Electrostatic discharge	Human-body model (HBM), per ANSI/ESDA/JEDEC JS-001 <sup>(1)</sup>	±2000	V
	Charged-device model (CDM), per JEDEC specification JESD22-C101 <sup>(2)</sup>	±750	

- (1) JEDEC document JEP155 states that 500-V HBM allows safe manufacturing with a standard ESD control process.
- (2) JEDEC document JEP157 states that 250-V CDM allows safe manufacturing with a standard ESD control process.

### 6.3 Recommended Operating Conditions

over operating free-air temperature range (unless otherwise noted)

	MIN	MAX	UNIT
V <sub>IN</sub> voltage	7.5	100	V
Operating junction temperature <sup>(1)</sup>	−40	125	°C

- (1) High junction temperatures degrade operating lifetimes. Operating lifetime is de-rated for junction temperatures greater than 125°C.

### 6.4 Thermal Information

THERMAL METRICS <sup>(1)</sup>		LM34927		UNIT
		NGU (WSON)	DDA (SO PowerPAD)	
		8 PINS		
R <sub>θJA</sub>	Junction-to-ambient thermal resistance	41.3	41.1	°C/W
R <sub>θJCbot</sub>	Junction-to-case (bottom) thermal resistance	3.2	2.4	°C/W
Ψ <sub>JB</sub>	Junction-to-board thermal characteristic parameter	19.2	24.4	°C/W
R <sub>θJB</sub>	Junction-to-board thermal resistance	19.1	30.6	°C/W
R <sub>θJctop</sub>	Junction-to-case (top) thermal resistance	34.7	37.3	°C/W
Ψ <sub>JT</sub>	Junction-to-top thermal characteristic parameter	0.3	6.7	°C/W

- (1) For more information about traditional and new thermal metrics, see the [Semiconductor and IC Package Thermal Metrics](#) application report.

## 6.5 Electrical Characteristics

Typical values correspond to  $T_J = 25^\circ\text{C}$ . Minimum and maximum limits apply over  $-40^\circ\text{C}$  to  $125^\circ\text{C}$  junction temperature range, unless otherwise stated.  $V_{IN} = 48\text{ V}$  unless otherwise stated. See<sup>(1)</sup>.

PARAMETER		TEST CONDITIONS	MIN	TYP	MAX	UNIT
<b>V<sub>CC</sub> SUPPLY</b>						
V <sub>CC</sub> Reg	V <sub>CC</sub> Regulator Output	$V_{IN} = 48\text{ V}, I_{CC} = 20\text{ mA}$	6.25	7.6	8.55	V
	V <sub>CC</sub> Current Limit	$V_{IN} = 48\text{ V}^{(2)}$	26			mA
	V <sub>CC</sub> UVLO Threshold (V <sub>CC</sub> increasing)		4.15	4.5	4.9	V
	V <sub>CC</sub> UVLO Hysteresis			300		mV
	V <sub>CC</sub> Dropout Voltage	$V_{IN} = 8\text{ V}, I_{CC} = 20\text{ mA}$		2.3		V
	I <sub>IN</sub> Operating Current	Non-switching, FB = 3 V		1.75		mA
	I <sub>IN</sub> Shutdown Current	UVLO = 0 V		50	225	μA
<b>UNDERVOLTAGE SENSING FUNCTION</b>						
	UV Threshold	UV Rising	1.19	1.225	1.26	V
	UV Hysteresis Input Current	UV = 2.5 V	-10	-20	-29	μA
	Remote Shutdown Threshold	Voltage at UVLO Falling	0.32	0.66		V
	Remote Shutdown Hysteresis			110		mV
<b>REGULATION AND OVERVOLTAGE COMPARATORS</b>						
	FB Regulation Level	Internal Reference Trip Point for Switch ON	1.2	1.225	1.25	V
	FB Overvoltage Threshold	Trip Point for Switch OFF		1.62		V
	FB Bias Current			60		nA
<b>SWITCH CHARACTERISTICS</b>						
	Buck Switch R <sub>DS(ON)</sub>	$I_{TEST} = 200\text{ mA}, \text{BST-SW} = 7\text{ V}$		0.8	1.8	Ω
	Synchronous R <sub>DS(ON)</sub>	$I_{TEST} = 200\text{ mA}$		0.45	1	Ω
	Gate Drive UVLO	$V_{BST} - V_{SW}$ Rising	2.4	3	3.6	V
	Gate Drive UVLO Hysteresis			260		mV
<b>CURRENT LIMIT</b>						
	Current Limit Threshold		0.7	1.02	1.3	A
	Current Limit Response Time	Time to switch off		150		ns
	OFF-Time Generator (Test 1)	FB = 0.1 V, $V_{IN} = 48\text{ V}$		12		μs
	OFF-Time Generator (Test 2)	FB = 1.0 V, $V_{IN} = 48\text{ V}$		2.5		μs
<b>THERMAL SHUTDOWN</b>						
T <sub>sd</sub>	Thermal Shutdown Temperature			165		°C
	Thermal Shutdown Hysteresis			20		°C

- (1) All limits are specified by design. All electrical characteristics having room temperature limits are tested during production at  $T_A = 25^\circ\text{C}$ . All hot and cold limits are specified by correlating the electrical characteristics to process and temperature variations and applying statistical process control.
- (2) V<sub>CC</sub> provides self bias for the internal gate drive and control circuits. Device thermal limitations limit external loading.

### 6.6 Switching Characteristics

Typical values correspond to  $T_J = 25^\circ\text{C}$ . Minimum and maximum limits apply over  $-40^\circ\text{C}$  to  $125^\circ\text{C}$  junction temperature range unless otherwise stated.  $V_{IN} = 48\text{ V}$  unless otherwise stated.

PARAMETER	TEST CONDITIONS	MIN	TYP	MAX	UNIT
<b>ON-TIME GENERATOR</b>					
$T_{ON}$ Test 1	$V_{IN} = 32\text{ V}$ , $R_{ON} = 100\text{ k}\Omega$	270	350	460	ns
$T_{ON}$ Test 2	$V_{IN} = 48\text{ V}$ , $R_{ON} = 100\text{ k}\Omega$	188	250	336	ns
$T_{ON}$ Test 3	$V_{IN} = 75\text{ V}$ , $R_{ON} = 250\text{ k}\Omega$	250	370	500	ns
$T_{ON}$ Test 4	$V_{IN} = 10\text{ V}$ , $R_{ON} = 250\text{ k}\Omega$	1880	3200	4425	ns
<b>MINIMUM OFF-TIME</b>					
Minimum Off-Timer	$FB = 0\text{ V}$		144		ns

### 6.7 Typical Characteristics

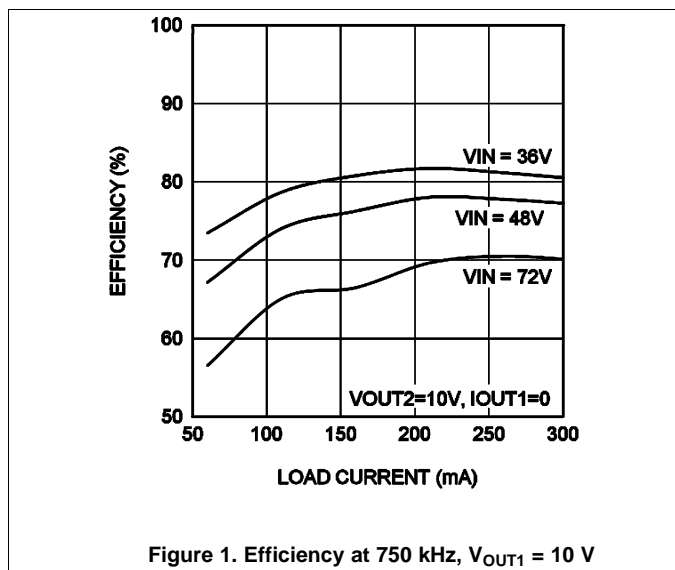


Figure 1. Efficiency at 750 kHz,  $V_{OUT1} = 10\text{ V}$

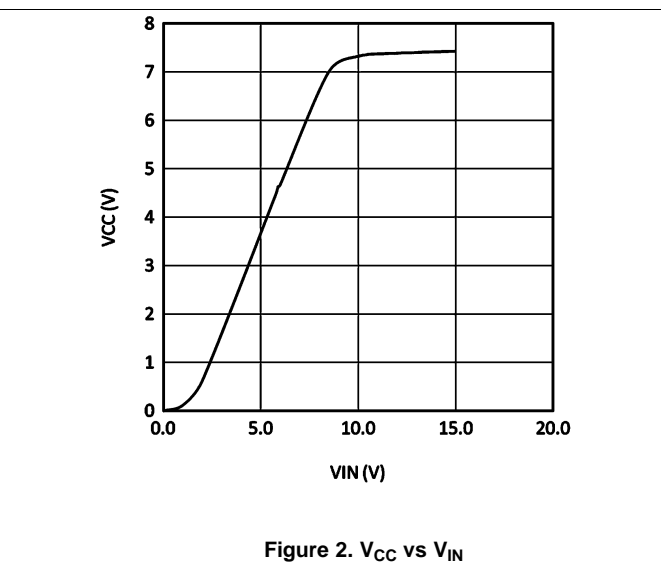


Figure 2.  $V_{CC}$  vs  $V_{IN}$

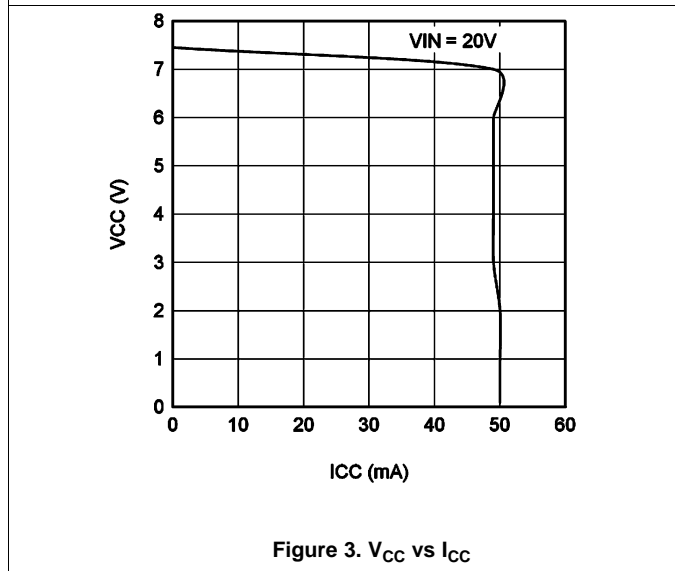


Figure 3.  $V_{CC}$  vs  $I_{CC}$

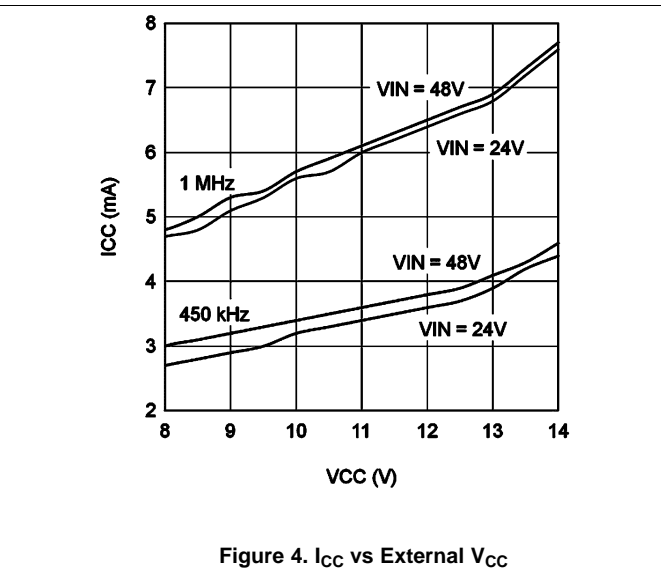


Figure 4.  $I_{CC}$  vs External  $V_{CC}$

Typical Characteristics (continued)

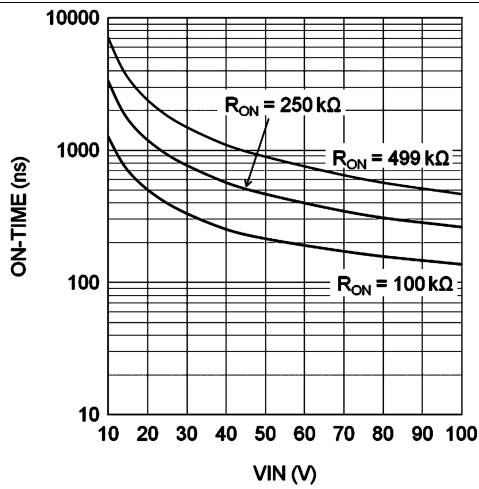


Figure 5.  $T_{ON}$  vs  $V_{IN}$  and  $R_{ON}$

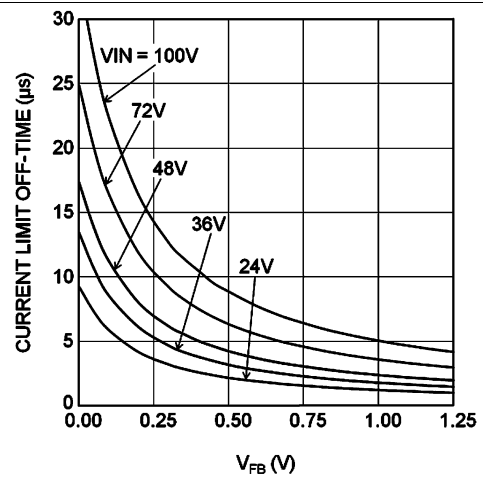


Figure 6.  $T_{OFF}$  ( $I_{LIM}$ ) vs  $V_{FB}$  and  $V_{IN}$

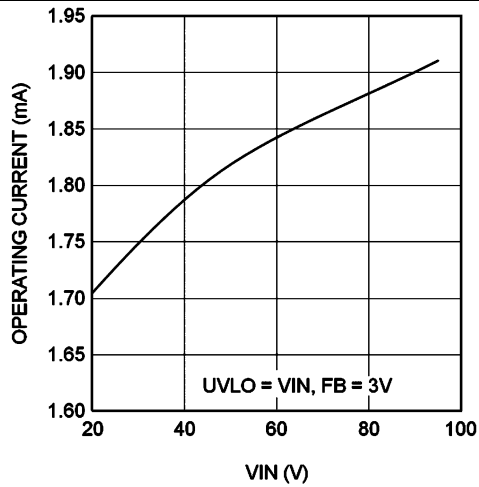


Figure 7.  $I_{IN}$  vs  $V_{IN}$  (Operating, Non-switching)

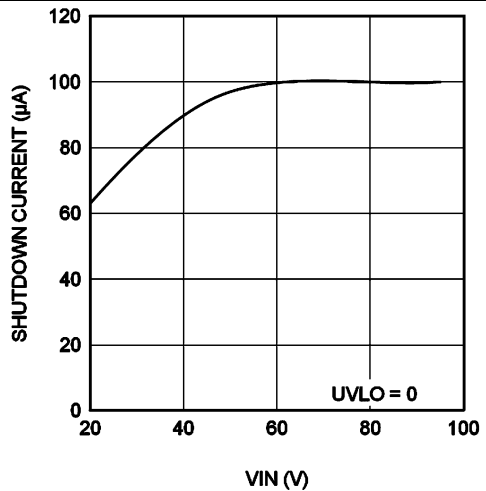


Figure 8.  $I_{IN}$  vs  $V_{IN}$  (Shutdown)

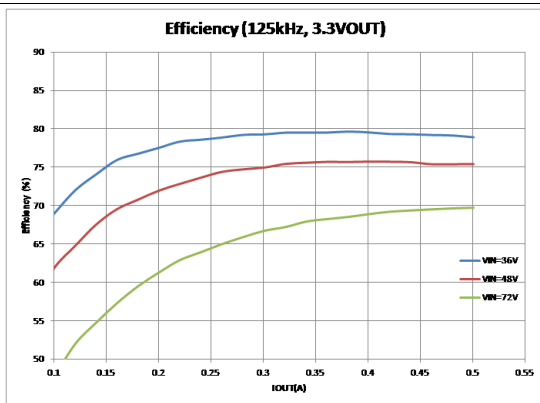


Figure 9. Efficiency

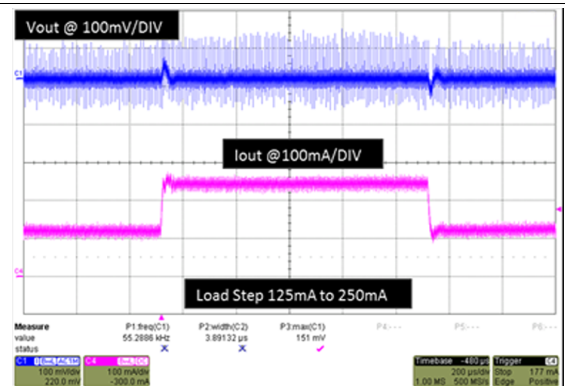


Figure 10. Buck Transient Response 36  $V_{IN}$



Typical Characteristics (continued)

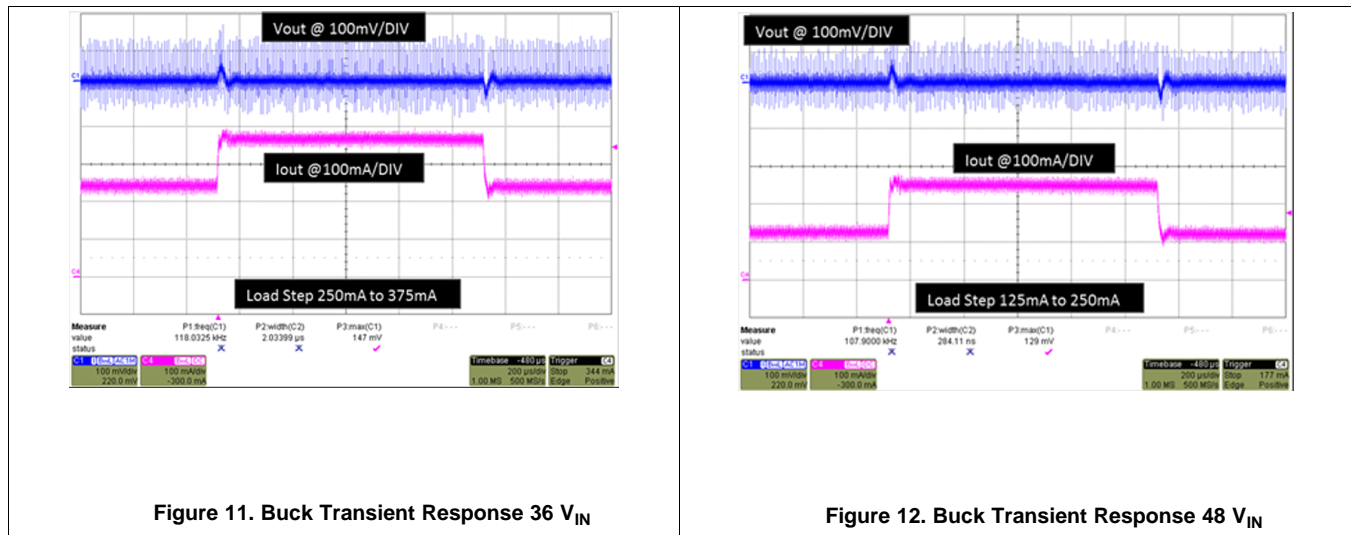


Figure 11. Buck Transient Response 36 V<sub>IN</sub>

Figure 12. Buck Transient Response 48 V<sub>IN</sub>

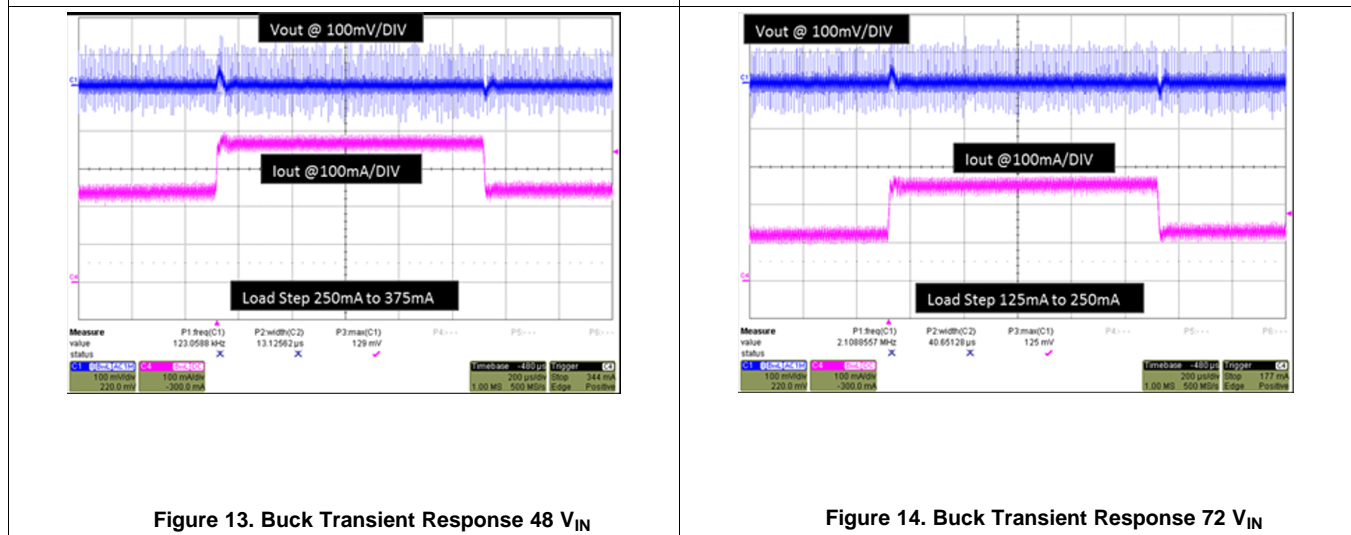


Figure 13. Buck Transient Response 48 V<sub>IN</sub>

Figure 14. Buck Transient Response 72 V<sub>IN</sub>

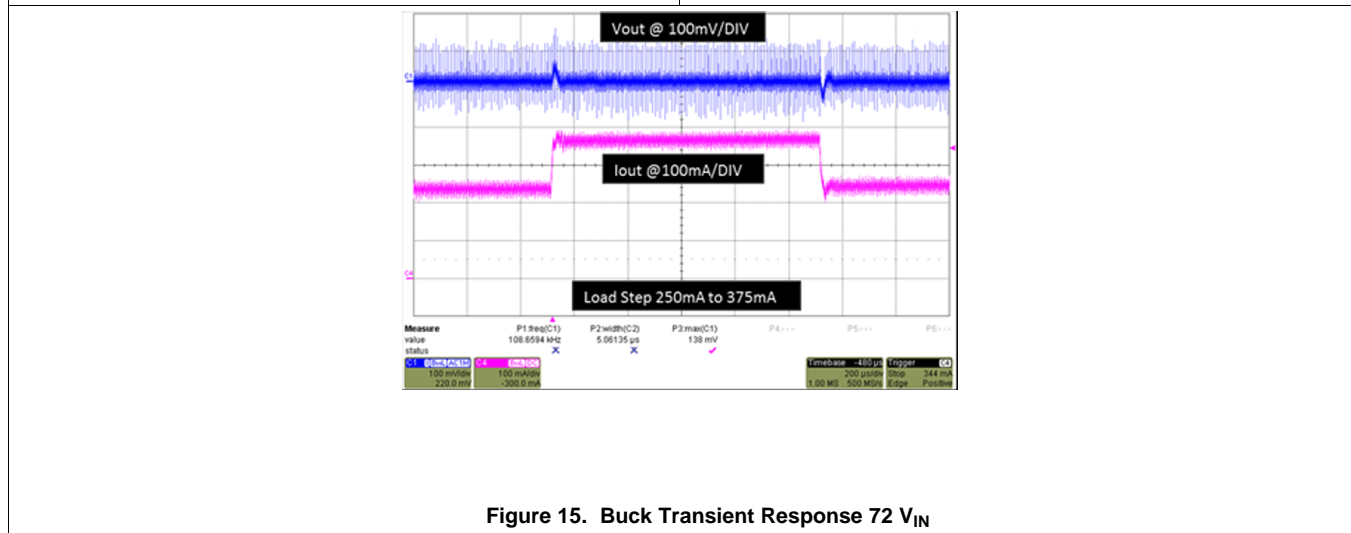


Figure 15. Buck Transient Response 72 V<sub>IN</sub>



## 7.3 Feature Description

### 7.3.1 Control Overview

The LM34927 regulator employs a control principle based on a comparator and a one-shot on-timer, with the output voltage feedback (FB) compared to an internal reference (1.225 V). If the FB voltage is below the reference the internal buck switch is switched on for the one-shot timer period, which is a function of the input voltage and the programming resistor (RT). Following the on-time the switch remains off until the FB voltage falls below the reference, and the forced minimum off-time has expired. When the FB pin voltage falls below the reference and the off-time one-shot period expires, the buck switch is then turned on for another on-time one-shot period. This continues until regulation is achieved and the FB voltage is approximately equal to 1.225 V (typ).

In a synchronous buck converter, the low-side (sync) FET is on when the high side (buck) FET is off. The inductor current ramps up when the high-side switch is on and ramps down when the high side switch is off. There is no diode emulation feature in this IC, and therefore, the inductor current may ramp in the negative direction at light load. This causes the converter to operate in continuous conduction mode (CCM) regardless of the output loading. The operating frequency remains relatively constant with load and line variations. The operating frequency can be calculated as shown in Equation 1.

$$f_{SW} = \frac{V_{OUT1}}{K \times R_{ON}} \quad (1)$$

Where  $K = 9 \times 10^{-11}$

The output voltage ( $V_{OUT}$ ) is set by two external resistors ( $R_{FB1}$ ,  $R_{FB2}$ ). The regulated output voltage is calculated as shown in Equation 2.

$$V_{OUT} = 1.225V \times \frac{R_{FB2} + R_{FB1}}{R_{FB1}} \quad (2)$$

This regulator regulates the output voltage based on ripple voltage at the feedback input, requiring a minimum amount of ESR for the output capacitor ( $C_{OUT}$ ). A minimum of 25 mV of ripple voltage at the feedback pin (FB) is required for the LM34927 device. In cases where the capacitor ESR is too small, additional series resistance may be required ( $R_C$  in Figure 16).

For applications where lower output voltage ripple is required, the output can be taken directly from a low ESR output capacitor, as shown in Figure 16. However,  $R_C$  slightly degrades the load regulation.

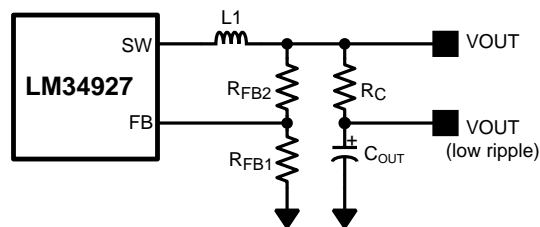


Figure 16. Low Ripple Output Configuration

### 7.3.2 V<sub>CC</sub> Regulator

The LM34927 device contains an internal high voltage linear regulator with a nominal output of 7.6 V. The input pin ( $V_{IN}$ ) can be connected directly to the line voltages up to 100 V. The  $V_{CC}$  regulator is internally current limited to 30 mA. The regulator sources current into the external capacitor at  $V_{CC}$ . This regulator supplies current to internal circuit blocks including the synchronous MOSFET driver and the logic circuits. When the voltage on the  $V_{CC}$  pin reaches the UVLO threshold of 4.5 V, the IC is enabled.

The  $V_{CC}$  regulator contains an internal diode connection to the BST pin to replenish the charge in the gate drive boot capacitor when SW pin is low.

## Feature Description (continued)

At high input voltages, the power dissipated in the high-voltage regulator is significant and can limit the overall achievable output power. As an example, with the input at 48 V and switching at high frequency, the  $V_{CC}$  regulator may supply up to 7 mA of current resulting in  $48\text{ V} \times 7\text{ mA} = 336\text{ mW}$  of power dissipation. If the  $V_{CC}$  voltage is driven externally by an alternate voltage source, from 8.55 V to 13 V, the internal regulator is disabled. This reduces the power dissipation in the IC.

### 7.3.3 Regulation Comparator

The feedback voltage at FB is compared to an internal 1.225 V reference. In normal operation, when the output voltage is in regulation, an on-time period is initiated when the voltage at FB falls below 1.225 V. The high-side switch will stay on for the on-time, causing the FB voltage to rise above 1.225 V. After the on-time period, the high-side switch will stay off until the FB voltage again falls below 1.225 V. During start-up, the FB voltage will be below 1.225 V at the end of each on-time causing the high-side switch to turn on immediately after the minimum forced off-time of 144 ns. The high-side switch can be turned off before the on-time is over if peak current in the inductor reaches the current limit threshold.

### 7.3.4 Overvoltage Comparator

The feedback voltage at FB is compared to an internal 1.62-V reference. If the voltage at FB rises above 1.62 V the on-time pulse is immediately terminated. This condition can occur if the input voltage and/or the output load changes suddenly. The high-side switch will not turn on again until the voltage at FB falls below 1.225 V.

### 7.3.5 On-Time Generator

The on-time for the LM34927 device is determined by the  $R_{ON}$  resistor, and is inversely proportional to the input voltage ( $V_{IN}$ ), resulting in a nearly constant frequency as  $V_{IN}$  is varied over its range. The on-time equation for the LM34927 device is shown in Equation 3.

$$T_{ON} = \frac{10^{-10} \times R_{ON}}{V_{IN}} \quad (3)$$

See Figure 5.  $R_{ON}$  should be selected for a minimum on-time (at maximum  $V_{IN}$ ) greater than 100 ns for proper operation. This requirement limits the maximum frequency for each application.

### 7.3.6 Current Limit

The LM34927 device contains an intelligent current limit off-timer. If the current in the buck switch exceeds 1.02 A, the present cycle is immediately terminated, and a non-resettable off-timer is initiated. The length of off-time is controlled by the FB voltage and the input voltage  $V_{IN}$ . As an example, when  $FB = 0\text{ V}$  and  $V_{IN} = 48\text{ V}$ , a maximum off-time is set to 16  $\mu\text{s}$ . This condition occurs when the output is shorted, and during the initial part of start up. This amount of time ensures safe short circuit operation up to the maximum input voltage of 100 V.

In cases of overload where the FB voltage is above zero volts (not a short circuit) the current limit off-time is reduced. Reducing the off-time during less severe overloads reduces the amount of foldback, recovery time, and start-up time. The off-time is calculated from Equation 4.

$$T_{OFF(ILIM)} = \frac{0.07 \times V_{IN}}{V_{FB} + 0.2\text{ V}} \mu\text{s} \quad (4)$$

The current limit protection feature is peak limited, the maximum average output will be less than the peak.

### 7.3.7 N-Channel Buck Switch and Driver

The LM34927 device integrates an N-Channel Buck switch and associated floating high-voltage gate driver. The gate driver circuit works in conjunction with an external bootstrap capacitor and an internal high-voltage diode. A 0.01- $\mu\text{F}$  ceramic capacitor connected between the BST pin and SW pin provides the voltage to the driver during the on-time. During each off-time, the SW pin is at approximately 0 V and the bootstrap capacitor charges from  $V_{CC}$  through the internal diode. The minimum off-timer, set to 144 ns, ensures a minimum time each cycle to recharge the bootstrap capacitor.

## Feature Description (continued)

### 7.3.8 Synchronous Rectifier

The LM34927 device provides an internal synchronous N-channel MOSFET rectifier. This MOSFET provides a path for the inductor current to flow when the high-side MOSFET is turned off.

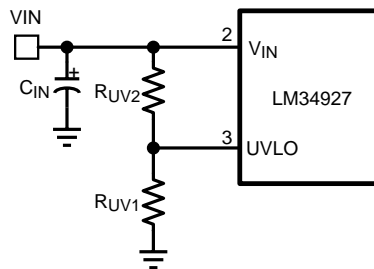
The synchronous rectifier has no diode emulation mode, and is designed to keep the regulator in continuous conduction mode even during light loads which would otherwise result in discontinuous operation. This feature specifically lets the user design a secondary regulator using a transformer winding off the main inductor to generate the alternate regulated output voltage.

### 7.3.9 Undervoltage Detector

The LM34927 device contains a dual-level UVLO circuit. When the UVLO pin voltage is below 0.66 V, the controller is in a low current shutdown mode. When the UVLO pin voltage is greater than 0.66 V but less than 1.225 V, the controller is in standby mode. In standby mode the  $V_{CC}$  bias regulator is active while the regulator output is disabled. When the  $V_{CC}$  pin exceeds the  $V_{CC}$  undervoltage thresholds and the UVLO pin voltage is greater than 1.225 V, normal operation begins. An external set-point voltage divider from  $V_{IN}$  to GND can be used to set the minimum operating voltage of the regulator.

UVLO hysteresis is accomplished with an internal 20- $\mu$ A current source that is switched on or off into the impedance of the set-point divider. When the UVLO threshold is exceeded, the current source is activated to quickly raise the voltage at the UVLO pin. The hysteresis is equal to the value of this current times the resistance  $R_{UV2}$ .

If the UVLO pin is wired directly to the  $V_{IN}$  pin, the regulator will begin operation once the  $V_{CC}$  undervoltage is satisfied.



**Figure 17. UVLO Resistor Setting**

### 7.3.10 Thermal Protection

The LM34927 device should be operated so the junction temperature does not exceed 150°C during normal operation. An internal Thermal Shutdown circuit is provided to protect the LM34927 in the event of a higher than normal junction temperature. When activated, typically at 165°C, the controller is forced into a low-power reset state, disabling the buck switch and the  $V_{CC}$  regulator. This feature prevents catastrophic failures from accidental device overheating. When the junction temperature reduces below 145°C (typical hysteresis = 20°C), the  $V_{CC}$  regulator is enabled, and normal operation is resumed.

### 7.3.11 Ripple Configuration

LM34927 uses COT control scheme, in which the on-time is terminated by an on-timer, and the off-time is terminated by the feedback voltage ( $V_{FB}$ ) falling below the reference voltage ( $V_{REF}$ ). Therefore, for stable operation, the feedback voltage must decrease monotonically, in phase with the inductor current during the off-time. Furthermore this change in feedback voltage ( $\Delta V_{FB}$ ) during off-time must be large enough to suppress any noise component present at the feedback node.

[Table 1](#) shows three different methods for generating appropriate voltage ripple at the feedback node. Type 1 and Type 2 ripple circuits couple the ripple at the output of the converter to the feedback node (FB). The output voltage ripple has two components:

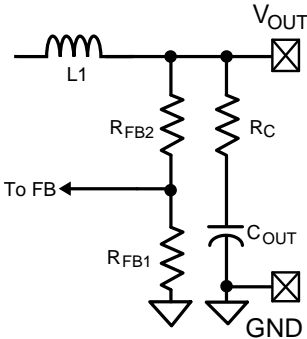
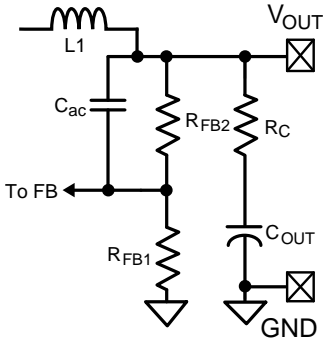
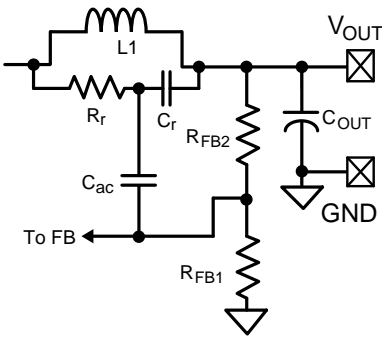
- Capacitive ripple caused by the inductor current ripple charging/discharging the output capacitor.
- Resistive ripple caused by the inductor current ripple flowing through the ESR of the output capacitor.

## Feature Description (continued)

The capacitive ripple is not in phase with the inductor current. As a result, the capacitive ripple does not decrease monotonically during the off-time. The resistive ripple is in phase with the inductor current and decreases monotonically during off-time. The resistive ripple must exceed the capacitive ripple at the output node ( $V_{OUT}$ ) for stable operation. If this condition is not satisfied, unstable switching behavior is observed in COT converters, with multiple on-time bursts in close succession followed by a long off-time.

Type 3 ripple method uses  $R_r$  and  $C_r$  and the switch node (SW) voltage to generate a triangular ramp. This triangular ramp is ac coupled using  $C_{ac}$  to the feedback node (FB). Because this circuit does not use the output voltage ripple, it is ideally suited for applications where low output voltage ripple is required. See [AN-1481 Controlling Output Ripple and Achieving ESR Independence in Constant On-Time \(COT\) Regulator Designs \(SNVA166\)](#) for more details for each ripple generation method.

**Table 1. Ripple Configuration**

TYPE 1 LOWEST COST CONFIGURATION	TYPE 2 REDUCED RIPPLE CONFIGURATION	TYPE 3 MINIMUM RIPPLE CONFIGURATION
		
$R_C \geq \frac{25 \text{ mV}}{\Delta I_{L(\text{MIN})}} \times \frac{V_{OUT}}{V_{REF}} \quad (5)$	$C \geq \frac{5}{f_{sw} (R_{FB2}    R_{FB1})}$ $R_C \geq \frac{25 \text{ mV}}{\Delta I_{L(\text{MIN})}} \quad (6)$	$R_r C_r \leq \frac{(V_{IN(\text{MIN})} - V_{OUT}) \times T_{ON}}{25 \text{ mV}} \quad (7)$ <p style="text-align: center;"> <math>C_r = 3300 \text{ pF}</math>  <math>C_{ac} = 100 \text{ nF}</math> </p>

### 7.3.12 Soft Start

A soft-start feature can be implemented with the LM34927 device using an external circuit. As shown in [Figure 18](#), the soft-start circuit consists of one capacitor  $C_1$ , two resistors  $R_1$  and  $R_2$ , and a diode  $D$ . During the initial start-up, the  $V_{CC}$  voltage is established prior to the  $V_{OUT}$  voltage. Capacitor  $C_1$  is discharged and  $D$  is thereby forward biased to pull up the FB voltage. The FB voltage exceeds the reference voltage (1.225 V) and switching is therefore disabled. As capacitor  $C_1$  charges, the voltage at node B gradually decreases and switching commences.  $V_{OUT}$  will gradually rise to maintain the FB voltage at the reference voltage. Once the voltage at node B is less than a diode drop above the FB voltage, the soft-start sequence is finished and  $D$  is reverse biased.

During the initial part of the start up, the FB voltage can be approximated as shown in [Equation 8](#). The effect of  $R_1$  has been ignored to simplify the calculation.

$$V_{FB} = (V_{CC} - V_D) \times \frac{R_{FB1} \times R_{FB2}}{R_2 \times (R_{FB1} + R_{FB2}) + R_{FB1} \times R_{FB2}} \quad (8)$$

$C_1$  is charged after the first start up. Diode  $D_1$  is optional and can be added to discharge  $C_1$  and initialize the soft-start sequence when the input voltage experiences a momentary drop.

To achieve the desired soft start, the following design guidance is recommended:

- $R_2$  is selected so that  $V_{FB}$  is higher than 1.225 V for a  $V_{CC}$  of 4.5 V, but is lower than 5 V when  $V_{CC}$  is 8.55 V. If an external  $V_{CC}$  is used,  $V_{FB}$  should not exceed 5 V at maximum  $V_{CC}$ .
- $C_1$  is selected to achieve the desired start-up time which can be determined from Equation 9.

$$t_s = C_1 \times \left( R_2 + \frac{R_{FB1} \times R_{FB2}}{R_{FB1} + R_{FB2}} \right) \tag{9}$$

- $R_1$  is used to maintain the node B voltage at zero after the soft start is finished. A value larger than the feedback resistor divider is preferred. The effect of resistor  $R_1$  is ignored.

Using component values shown in Figure 19, selecting  $C_1 = 1 \mu\text{F}$ ,  $R_2 = 1 \text{ k}\Omega$ ,  $R_1 = 30 \text{ k}\Omega$  results in a soft-start time of about 2 ms.

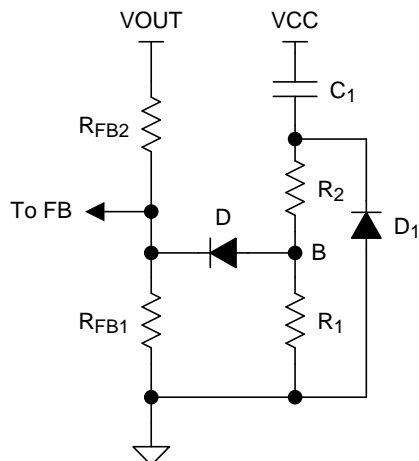


Figure 18. Soft-Start Circuit

## 7.4 Device Functional Modes

Table 2. Undervoltage Detector

UVLO	$V_{CC}$	MODE	DESCRIPTION
< 0.66 V	Disabled	Shutdown	$V_{CC}$ regulator disabled. Switching disabled.
0.66 V to 1.225 V	Enabled	Standby	$V_{CC}$ regulator enabled. Switching disabled.
> 1.225 V	$V_{CC} < 4.5 \text{ V}$	Standby	$V_{CC}$ regulator enabled. Switching disabled.
	$V_{CC} > 4.5 \text{ V}$	Operating	$V_{CC}$ enabled. Switching enabled.



## 8 Application and Implementation

### NOTE

Information in the following applications sections is not part of the TI component specification, and TI does not warrant its accuracy or completeness. TI's customers are responsible for determining suitability of components for their purposes. Customers should validate and test their design implementation to confirm system functionality.

### 8.1 Application Information

The LM34927 device is step-down DC-DC converter. The device is typically used to convert a higher DC voltage to a lower DC voltage with a maximum available output current of 600 mA. Use the following design procedure to select component values for the LM34927 device. Alternately, use the WEBENCH<sup>®</sup> software to generate a complete design. The WEBENCH software uses an iterative design procedure and accesses a comprehensive database of components when generating a design. This section presents a simplified discussion of the design process.

### 8.2 Typical Applications

#### 8.2.1 Application Circuit: 20-V to 95-V Input and 10-V, 300-mA Output Isolated Fly-Buck™ Converter

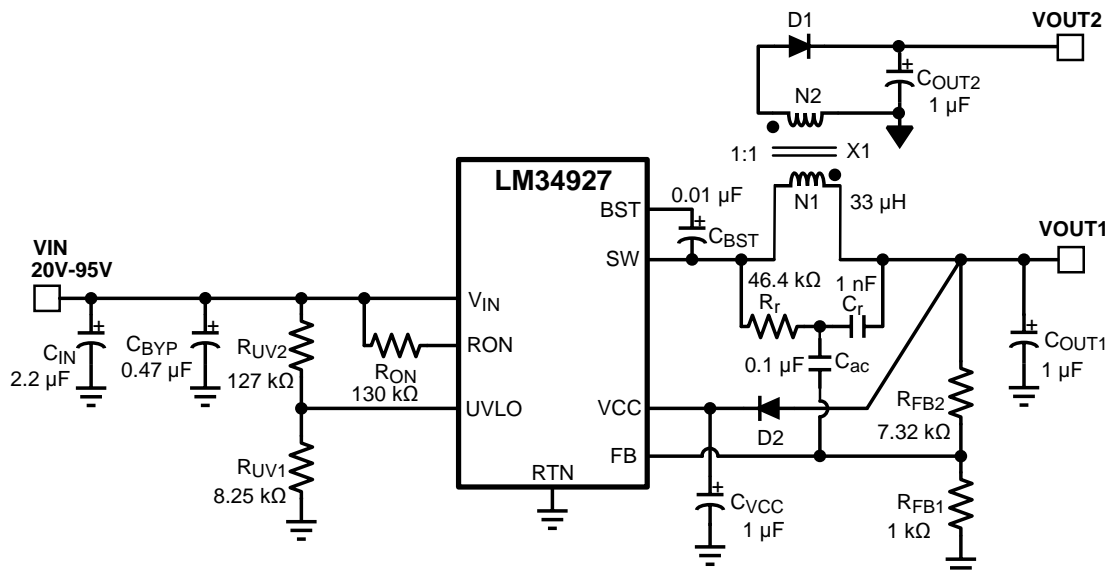


Figure 19. Isolated Fly-Buck Converter Using LM34927

#### 8.2.1.1 Design Requirements

Selection of external components is illustrated through a design example. The design example specifications are shown in [Table 3](#).

Table 3. Buck Converter Design Specifications

DESIGN PARAMETERS	VALUE
Input voltage range	20 V to 95 V
Primary output voltage	10 V
Secondary (isolated) output voltage	9.5 V
Maximum output current (primary + secondary)	300 mA
Maximum power output	3 W
Nominal switching frequency	750 kHz



## 8.2.1.2 Detailed Design Procedure

### 8.2.1.2.1 Transformer Turns Ratio

The transformer turns ratio is selected based on the ratio of the primary output voltage to the secondary (isolated) output voltage. In this design example, the two outputs are nearly equal and a 1:1 turns ratio transformer is selected. Therefore,  $N_2 / N_1 = 1$ .

If the secondary (isolated) output voltage is significantly higher or lower than the primary output voltage, a turns ratio less than or greater than 1 is recommended. The primary output voltage is normally selected based on the input voltage range such that the duty cycle of the converter does not exceed 50% at the minimum input voltage. This condition is satisfied if  $V_{OUT1} < V_{IN\_MIN} / 2$ .

### 8.2.1.2.2 Total $I_{OUT}$

The total primary referred load current is calculated by multiplying the isolated output loads by the turns ratio of the transformer as shown in Equation 10.

$$I_{OUT(MAX)} = I_{OUT1} + I_{OUT2} \times \frac{N_2}{N_1} = 0.3 \text{ A} \quad (10)$$

### 8.2.1.2.3 RFB1, RFB2

The feedback resistors are selected to set the primary output voltage. The selected value for  $R_{FB1}$  is 1 k $\Omega$ .  $R_{FB2}$  can be calculated using the following equations to set  $V_{OUT1}$  to the specified value of 10 V. A standard resistor value of 7.32 k $\Omega$  is selected for  $R_{FB2}$ .

$$V_{OUT1} = 1.225\text{V} \times \left(1 + \frac{R_{FB2}}{R_{FB1}}\right) \quad (11)$$

$$\rightarrow R_{FB2} = \left(\frac{V_{OUT1}}{1.225} - 1\right) \times R_{FB1} = 7.16 \text{ k}\Omega \quad (12)$$

### 8.2.1.2.4 Frequency Selection

Equation 13 is used to calculate the value of  $R_{ON}$  required to achieve the desired switching frequency.

$$f_{SW} = \frac{V_{OUT1}}{K \times R_{ON}}$$

where

$$K = 9 \times 10^{-11} \quad (13)$$

$V_{OUT1}$  of 10 V and  $f_{SW}$  of 750 kHz, the calculated value of  $R_{ON}$  is 148 k $\Omega$ . A lower value of 130 k $\Omega$  is selected for this design to allow for second-order effects at high switching frequency that are not included in Equation 13.

### 8.2.1.2.5 Transformer Selection

A coupled inductor or a flyback-type transformer is required for this topology. Energy is transferred from primary to secondary when the low-side synchronous switch of the buck converter is conducting.

The maximum inductor primary ripple current that can be tolerated without exceeding the buck switch peak current limit threshold (0.7 A minimum) is given by Equation 14.

$$\Delta I_{L1} = \left(0.7 - I_{OUT1} - I_{OUT2} \times \frac{N_2}{N_1}\right) \times 2 = 0.8 \text{ A} \quad (14)$$

Using the maximum peak-to-peak inductor ripple current  $\Delta I_{L1}$  from Equation 14, the minimum inductor value is given by Equation 15.

$$L1 = \frac{V_{IN(MAX)} - V_{OUT}}{\Delta I_{L1} \times f_{SW}} \times \frac{V_{OUT}}{V_{IN(MAX)}} = 14.9 \mu\text{H} \quad (15)$$

A higher value of 33  $\mu\text{H}$  is selected to insure the high-side switch current does not exceed the minimum peak current limit threshold. With this inductance, the inductor current ripple is  $\Delta I_{L1} = 0.36 \text{ A}$  at the maximum  $V_{IN}$ .

### 8.2.1.2.6 Primary Output Capacitor

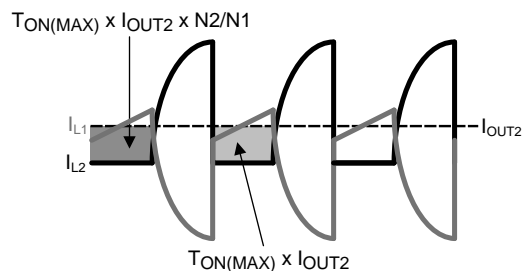
In a conventional buck converter the output ripple voltage is calculated as shown in Equation 16.

$$\Delta V_{OUT} = \frac{\Delta I_{L1}}{8 \times f \times C_{OUT1}} \quad (16)$$

To limit the primary output ripple voltage  $\Delta V_{OUT1}$  to approximately 50 mV, an output capacitor  $C_{OUT1}$  of 1.2  $\mu\text{F}$  would be required for a conventional buck.

Figure 20 shows the primary winding current waveform ( $I_{L1}$ ) of a Fly-Buck converter. The reflected secondary winding current adds to the primary winding current during the buck switch off-time. Because of this increased current, the output voltage ripple is not the same as in conventional buck converter. The output capacitor value calculated in Equation 16 should be used as the starting point. Optimization of output capacitance over the entire line and load range must be done experimentally. If the majority of the load current is drawn from the secondary isolated output, a better approximation of the primary output voltage ripple is given by Equation 17.

$$\Delta V_{OUT1} = \frac{\left( I_{OUT2} \times \frac{N2}{N1} \right) \times T_{ON(MAX)}}{C_{OUT1}} \approx 67 \text{ mV} \quad (17)$$

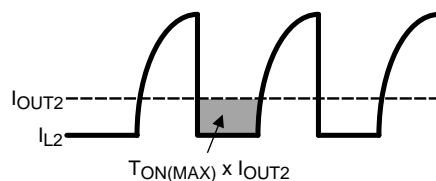


**Figure 20. Current Waveforms for  $C_{OUT1}$  Ripple Calculation**

A standard 1- $\mu\text{F}$ , 25-V capacitor is selected for this design. If lower output voltage ripple is required, a higher value should be selected for  $C_{OUT1}$  and/or  $C_{OUT2}$ .

### 8.2.1.2.7 Secondary Output Capacitor

A simplified waveform for secondary output current ( $I_{OUT2}$ ) is shown in Figure 21.



**Figure 21. Secondary Current Waveforms for  $C_{OUT2}$  Ripple Calculation**

The secondary output current ( $I_{OUT2}$ ) is sourced by  $C_{OUT2}$  during on-time of the buck switch,  $T_{ON}$ . Ignoring the current transition times in the secondary winding, the secondary output capacitor ripple voltage can be calculated using Equation 18.

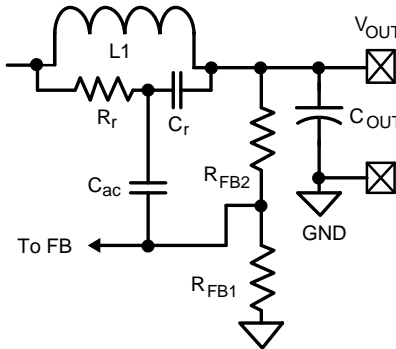
$$\Delta V_{OUT2} = \frac{I_{OUT2} \times T_{ON(MAX)}}{C_{OUT2}} \quad (18)$$

For a 1:1 transformer turns ratio, the primary and secondary voltage ripple equations are identical. Therefore,  $C_{OUT2}$  is chosen to be equal to  $C_{OUT1}$  (1  $\mu\text{F}$ ) to achieve comparable ripple voltages on primary and secondary outputs.

If lower output voltage ripple is required, a higher value should be selected for  $C_{OUT1}$  and/or  $C_{OUT2}$ .

**8.2.1.2.8 Type III Feedback Ripple Circuit**

Type III ripple circuit as described in [Ripple Configuration](#) is required for the Fly-Buck topology. Type I and Type II ripple circuits use series resistance and the triangular inductor ripple current to generate ripple at  $V_{OUT}$  and the FB pin. The primary ripple current of a Fly-Buck is the combination of primary and reflected secondary currents as illustrated in [Figure 20](#). In the Fly-Buck topology, Type I and Type II ripple circuits suffer from large jitter as the reflected load current affects the feedback ripple.



**Figure 22. Type III Ripple Circuit**

Selecting the Type III ripple components using the equations from [Ripple Configuration](#) will ensure that the FB pin ripple is be greater than the capacitive ripple from the primary output capacitor  $C_{OUT1}$ . The feedback ripple component values are chosen as shown in [Equation 19](#).

$$\begin{aligned}
 C_r &= 1000 \text{ pF} \\
 C_{ac} &= 0.1 \text{ } \mu\text{F} \\
 R_r C_r &\leq \frac{(V_{IN(MIN)} - V_{OUT}) \times T_{ON}}{50 \text{ mV}}
 \end{aligned}
 \tag{19}$$

The calculated value for  $R_r$  is 66 k $\Omega$ . This value provides the minimum ripple for stable operation. A smaller resistance should be selected to allow for variations in  $T_{ON}$ ,  $C_{OUT1}$  and other components. For this design,  $R_r$  value of 46.4 k $\Omega$  is selected.

**8.2.1.2.9 Secondary Diode**

The reverse voltage across secondary-rectifier diode D1 when the high-side buck switch is off can be calculated using [Equation 20](#).

$$V_{D1} = \frac{N_2}{N_1} V_{IN}
 \tag{20}$$

For a  $V_{IN\_MAX}$  of 95 V and the 1:1 turns ratio of this design, a 100-V Schottky is selected.

**8.2.1.2.10  $V_{CC}$  and Bootstrap Capacitor**

A 1- $\mu\text{F}$  capacitor of 16 V or higher rating is recommended for the  $V_{CC}$  regulator bypass capacitor.

A good value for the BST pin bootstrap capacitor is 0.01- $\mu\text{F}$  with a voltage rating of 16 or higher.

**8.2.1.2.11 Input Capacitor**

The input capacitor is typically a combination of a smaller bypass capacitor located near the regulator IC and a larger bulk capacitor. The total input capacitance should be large enough to limit the input voltage ripple to a desired amplitude. For input ripple voltage  $\Delta V_{IN}$ ,  $C_{IN}$  can be calculated using [Equation 21](#).

$$C_{IN} \geq \frac{I_{OUT(MAX)}}{4 \times f \times \Delta V_{IN}}
 \tag{21}$$

Choosing a  $\Delta V_{IN}$  of 0.5 V gives a minimum  $C_{IN}$  of 0.2  $\mu\text{F}$ . A standard value of 0.47  $\mu\text{F}$  is selected for  $C_{BYP}$  in this design. A bulk capacitor of higher value reduces voltage spikes due to parasitic inductance between the power source to the converter. A standard value of 2.2  $\mu\text{F}$  is selected for  $C_{IN}$  in this design. The voltage ratings of the two input capacitors should be greater than the maximum input voltage under all conditions.

**8.2.1.2.12 UVLO Resistors**

UVLO resistors  $R_{UV1}$  and  $R_{UV2}$  set the undervoltage lockout threshold and hysteresis according to Equation 22 and Equation 23.

$$V_{IN(HYS)} = I_{HYS} \times R_{UV2} \tag{22}$$

$$V_{IN(UVLO, rising)} = 1.225V \times \left( \frac{R_{UV2}}{R_{UV1}} + 1 \right) \tag{23}$$

Where  $I_{HYS} = 20 \mu A$ , typical.

For a UVLO hysteresis of 2.5 V and UVLO rising threshold of 20 V, Equation 22 and Equation 23 require  $R_{UV1}$  of 8.25 k $\Omega$  and  $R_{UV2}$  of 127 k $\Omega$  and these values are selected for this design example.

**8.2.1.2.13 V<sub>CC</sub> Diode**

Diode D2 is an optional diode connected between  $V_{OUT1}$  and the  $V_{CC}$  regulator output pin. When  $V_{OUT1}$  is more than one diode drop greater than the  $V_{CC}$  voltage, the  $V_{CC}$  bias current is supplied from  $V_{OUT1}$ . This results in reduced power losses in the internal  $V_{CC}$  regulator which improves converter efficiency.  $V_{OUT1}$  must be set to a voltage at least one diode drop higher than 8.55 V (the maximum  $V_{CC}$  voltage) if D2 is used to supply bias current.

**8.2.1.3 Application Curves**

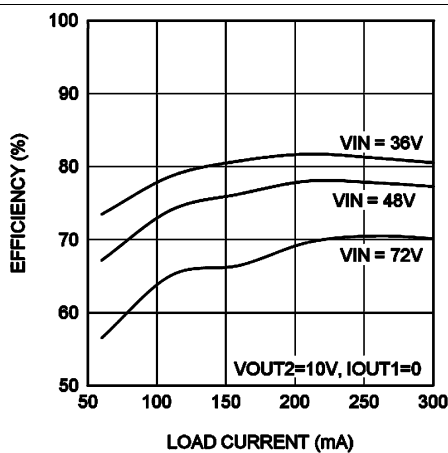


Figure 23. Efficiency at 750 kHz,  $V_{OUT1} = 10 V$

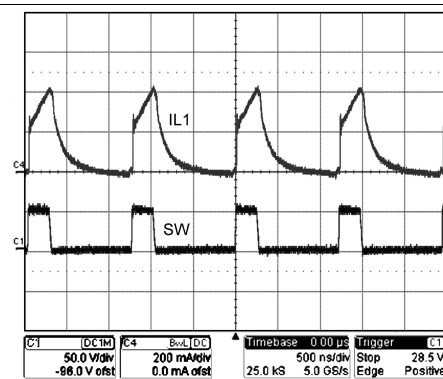


Figure 24. Steady State Waveform ( $V_{IN} = 48 V$ ,  $I_{OUT1} = 100 mA$ ,  $I_{OUT2} = 200 mA$ )

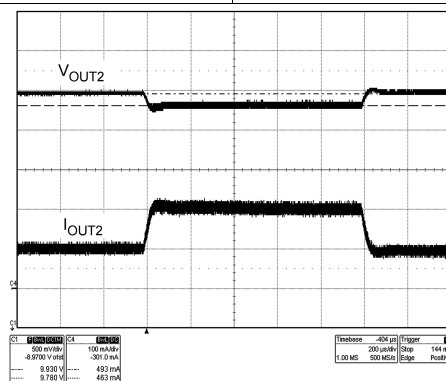


Figure 25. Step Load Response ( $V_{IN} = 48 V$ ,  $I_{OUT1} = 0$ , Step Load on  $I_{OUT2} = 100 mA$  to  $200 mA$ )

## 9 Power Supply Recommendations

LM34927 is a power-management device. The power supply for the device is any dc voltage source within the specified input range.

## 10 Layout

### 10.1 Layout Guidelines

A proper layout is essential for optimum performance of the circuit. In particular, the following guidelines should be observed:

1.  $C_{IN}$ : The loop consisting of input capacitor ( $C_{IN}$ ),  $V_{IN}$  pin, and RTN pin carries switching currents. Therefore, place the input capacitor close to the IC, directly across  $V_{IN}$  and RTN pins and the connections to these two pins should be direct to minimize the loop area. In general it is not possible to accommodate all of input capacitance near the IC. A good practice is to use a 0.1- $\mu$ F or 0.47- $\mu$ F capacitor directly across the  $V_{IN}$  and RTN pins close to the IC, and the remaining bulk capacitor as close as possible (see [Placement of Bypass Capacitors](#) ).
2.  $C_{VCC}$  and  $C_{BST}$ : The  $V_{CC}$  and bootstrap (BST) bypass capacitors supply switching currents to the high- and low-side gate drivers. These two capacitors must also be placed as close to the IC as possible, and the connecting trace lengths and loop area should be minimized (See [Figure 26](#)).
3. The Feedback trace carries the output voltage information and a small ripple component that is necessary for proper operation of LM34927 device. Therefore take care while routing the feedback trace so avoid coupling any noise to this pin. In particular, feedback trace should not run close to magnetic components, or parallel to any other switching trace.
4. SW trace: SW node switches rapidly between  $V_{IN}$  and GND every cycle and is therefore a possible source of noise. SW node area should be minimized. In particular SW node should not be inadvertently connected to a copper plane or pour.

### 10.2 Layout Example

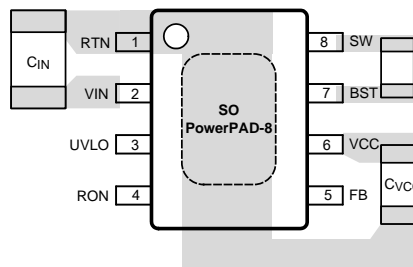


Figure 26. Placement of Bypass Capacitors

### 10.3 Thermal Curves

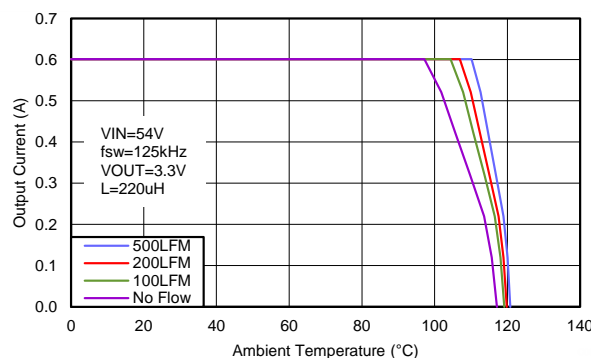


Figure 27. Thermal Derating Curve

## 11 器件和文档支持

### 11.1 接收文档更新通知

要接收文档更新通知，请导航至 [TI.com](http://TI.com) 上的器件产品文件夹。单击右上角的 [通知我](#) 进行注册，即可每周接收产品信息更改摘要。有关更改的详细信息，请查看任何已修订文档中包含的修订历史记录。

### 11.2 社区资源

下列链接提供到 TI 社区资源的连接。链接的内容由各个分销商“按照原样”提供。这些内容并不构成 TI 技术规范，并且不一定反映 TI 的观点；请参阅 TI 的 [《使用条款》](#)。

**TI E2E™ 在线社区** [TI 的工程师对工程师 \(E2E\) 社区](#)。此社区的创建目的在于促进工程师之间的协作。在 [e2e.ti.com](http://e2e.ti.com) 中，您可以咨询问题、分享知识、拓展思路并与同行工程师一道帮助解决问题。

**设计支持** [TI 参考设计支持](#) 可帮助您快速查找有帮助的 E2E 论坛、设计支持工具以及技术支持的联系信息。

### 11.3 商标

PowerPAD, Fly-Buck, E2E are trademarks of Texas Instruments.

WEBENCH is a registered trademark of Texas Instruments.

All other trademarks are the property of their respective owners.

### 11.4 静电放电警告



这些装置包含有限的内置 ESD 保护。存储或装卸时，应将导线一起截短或将装置放置于导电泡棉中，以防止 MOS 门极遭受静电损伤。

### 11.5 Glossary

[SLYZ022](#) — *TI Glossary*.

This glossary lists and explains terms, acronyms, and definitions.

## 12 机械、封装和可订购信息

以下页面包含机械、封装和可订购信息。这些信息是指定器件的最新可用数据。数据如有变更，恕不另行通知和修订此文档。如欲获取此产品说明书的浏览器版本，请参阅左侧的导航。

**PACKAGING INFORMATION**

Orderable Device	Status (1)	Package Type	Package Drawing	Pins	Package Qty	Eco Plan (2)	Lead finish/ Ball material (6)	MSL Peak Temp (3)	Op Temp (°C)	Device Marking (4/5)	Samples
LM34927MR/NOPB	ACTIVE	SO PowerPAD	DDA	8	95	RoHS & Green	NIPDAU   SN	Level-3-260C-168 HR	-40 to 125	L34927	<a href="#">Samples</a>
LM34927MRX/NOPB	ACTIVE	SO PowerPAD	DDA	8	2500	RoHS & Green	NIPDAU   SN	Level-3-260C-168 HR	-40 to 125	L34927	<a href="#">Samples</a>
LM34927SD/NOPB	ACTIVE	WSON	NGU	8	1000	RoHS & Green	SN	Level-1-260C-UNLIM	-40 to 125	L34927	<a href="#">Samples</a>
LM34927SDX/NOPB	ACTIVE	WSON	NGU	8	4500	RoHS & Green	SN	Level-1-260C-UNLIM	-40 to 125	L34927	<a href="#">Samples</a>

(1) The marketing status values are defined as follows:

**ACTIVE:** Product device recommended for new designs.

**LIFEBUY:** TI has announced that the device will be discontinued, and a lifetime-buy period is in effect.

**NRND:** Not recommended for new designs. Device is in production to support existing customers, but TI does not recommend using this part in a new design.

**PREVIEW:** Device has been announced but is not in production. Samples may or may not be available.

**OBSOLETE:** TI has discontinued the production of the device.

(2) **RoHS:** TI defines "RoHS" to mean semiconductor products that are compliant with the current EU RoHS requirements for all 10 RoHS substances, including the requirement that RoHS substance do not exceed 0.1% by weight in homogeneous materials. Where designed to be soldered at high temperatures, "RoHS" products are suitable for use in specified lead-free processes. TI may reference these types of products as "Pb-Free".

**RoHS Exempt:** TI defines "RoHS Exempt" to mean products that contain lead but are compliant with EU RoHS pursuant to a specific EU RoHS exemption.

**Green:** TI defines "Green" to mean the content of Chlorine (Cl) and Bromine (Br) based flame retardants meet JS709B low halogen requirements of <=1000ppm threshold. Antimony trioxide based flame retardants must also meet the <=1000ppm threshold requirement.

(3) MSL, Peak Temp. - The Moisture Sensitivity Level rating according to the JEDEC industry standard classifications, and peak solder temperature.

(4) There may be additional marking, which relates to the logo, the lot trace code information, or the environmental category on the device.

(5) Multiple Device Markings will be inside parentheses. Only one Device Marking contained in parentheses and separated by a "-" will appear on a device. If a line is indented then it is a continuation of the previous line and the two combined represent the entire Device Marking for that device.

(6) Lead finish/Ball material - Orderable Devices may have multiple material finish options. Finish options are separated by a vertical ruled line. Lead finish/Ball material values may wrap to two lines if the finish value exceeds the maximum column width.

**Important Information and Disclaimer:**The information provided on this page represents TI's knowledge and belief as of the date that it is provided. TI bases its knowledge and belief on information provided by third parties, and makes no representation or warranty as to the accuracy of such information. Efforts are underway to better integrate information from third parties. TI has taken and

continues to take reasonable steps to provide representative and accurate information but may not have conducted destructive testing or chemical analysis on incoming materials and chemicals. TI and TI suppliers consider certain information to be proprietary, and thus CAS numbers and other limited information may not be available for release.

In no event shall TI's liability arising out of such information exceed the total purchase price of the TI part(s) at issue in this document sold by TI to Customer on an annual basis.



**TAPE AND REEL INFORMATION**

**QUADRANT ASSIGNMENTS FOR PIN 1 ORIENTATION IN TAPE**


\*All dimensions are nominal

Device	Package Type	Package Drawing	Pins	SPQ	Reel Diameter (mm)	Reel Width W1 (mm)	A0 (mm)	B0 (mm)	K0 (mm)	P1 (mm)	W (mm)	Pin1 Quadrant
LM34927MRX/NOPB	SO PowerPAD	DDA	8	2500	330.0	12.5	6.4	5.2	2.1	8.0	12.0	Q1
LM34927MRX/NOPB	SO PowerPAD	DDA	8	2500	330.0	12.4	6.5	5.4	2.0	8.0	12.0	Q1
LM34927SD/NOPB	WSON	NGU	8	1000	178.0	12.4	4.3	4.3	1.3	8.0	12.0	Q1
LM34927SDX/NOPB	WSON	NGU	8	4500	330.0	12.4	4.3	4.3	1.3	8.0	12.0	Q1

## TAPE AND REEL BOX DIMENSIONS



\*All dimensions are nominal

Device	Package Type	Package Drawing	Pins	SPQ	Length (mm)	Width (mm)	Height (mm)
LM34927MRX/NOPB	SO PowerPAD	DDA	8	2500	340.5	338.1	20.6
LM34927MRX/NOPB	SO PowerPAD	DDA	8	2500	356.0	356.0	36.0
LM34927SD/NOPB	WSON	NGU	8	1000	208.0	191.0	35.0
LM34927SDX/NOPB	WSON	NGU	8	4500	367.0	367.0	35.0

**TUBE**


\*All dimensions are nominal

Device	Package Name	Package Type	Pins	SPQ	L (mm)	W (mm)	T (μm)	B (mm)
LM34927MR/NOPB	DDA	HSOIC	8	95	495	8	4064	3.05
LM34927MR/NOPB	DDA	HSOIC	8	95	507.79	8	630	4.32

# DDA0008B



# PACKAGE OUTLINE

PowerPAD™ SOIC - 1.7 mm max height

PLASTIC SMALL OUTLINE



4214849/A 08/2016

PowerPAD is a trademark of Texas Instruments.

**NOTES:**

1. All linear dimensions are in millimeters. Any dimensions in parenthesis are for reference only. Dimensioning and tolerancing per ASME Y14.5M.
2. This drawing is subject to change without notice.
3. This dimension does not include mold flash, protrusions, or gate burrs. Mold flash, protrusions, or gate burrs shall not exceed 0.15 mm per side.
4. This dimension does not include interlead flash. Interlead flash shall not exceed 0.25 mm per side.
5. Reference JEDEC registration MS-012.



# EXAMPLE STENCIL DESIGN

DDA0008B

PowerPAD™ SOIC - 1.7 mm max height

PLASTIC SMALL OUTLINE



SOLDER PASTE EXAMPLE  
EXPOSED PAD  
100% PRINTED SOLDER COVERAGE BY AREA  
SCALE:10X

STENCIL THICKNESS	SOLDER STENCIL OPENING
0.1	3.03 X 3.80
0.125	2.71 X 3.40 (SHOWN)
0.150	2.47 X 3.10
0.175	2.29 X 2.87

4214849/A 08/2016

NOTES: (continued)

11. Laser cutting apertures with trapezoidal walls and rounded corners may offer better paste release. IPC-7525 may have alternate design recommendations.
12. Board assembly site may have different recommendations for stencil design.

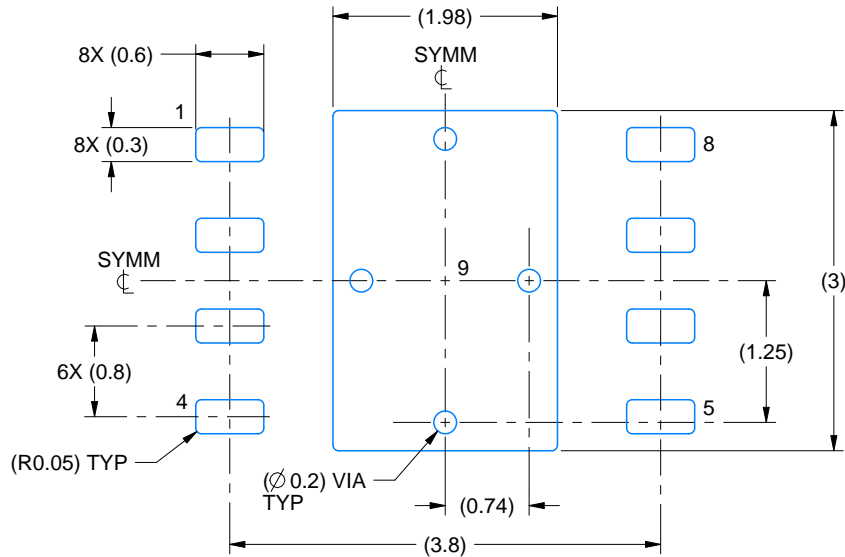


# EXAMPLE BOARD LAYOUT

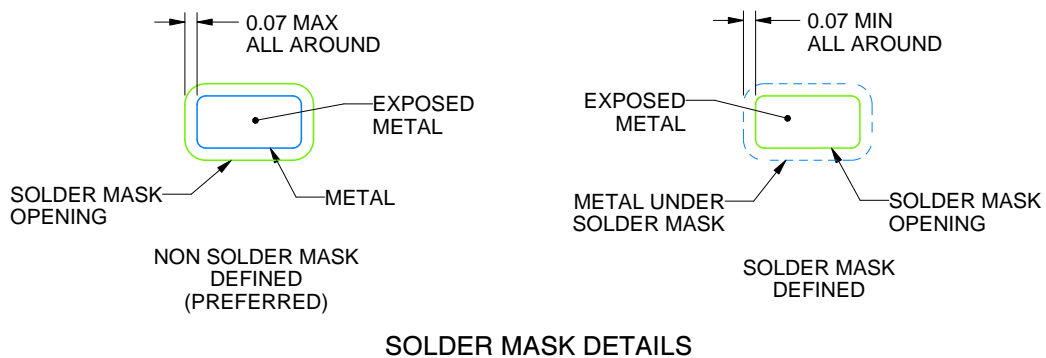
NGU0008B

WSON - 0.8 mm max height

PLASTIC SMALL OUTLINE - NO LEAD



LAND PATTERN EXAMPLE  
EXPOSED METAL SHOWN  
SCALE:15X



SOLDER MASK DETAILS

4214936/A 12/2023

NOTES: (continued)

4. This package is designed to be soldered to a thermal pad on the board. For more information, see Texas Instruments literature number SLUA271 ([www.ti.com/lit/sluea271](http://www.ti.com/lit/sluea271)).
5. Vias are optional depending on application, refer to device data sheet. If any vias are implemented, refer to their locations shown on this view. It is recommended that vias under paste be filled, plugged or tented.

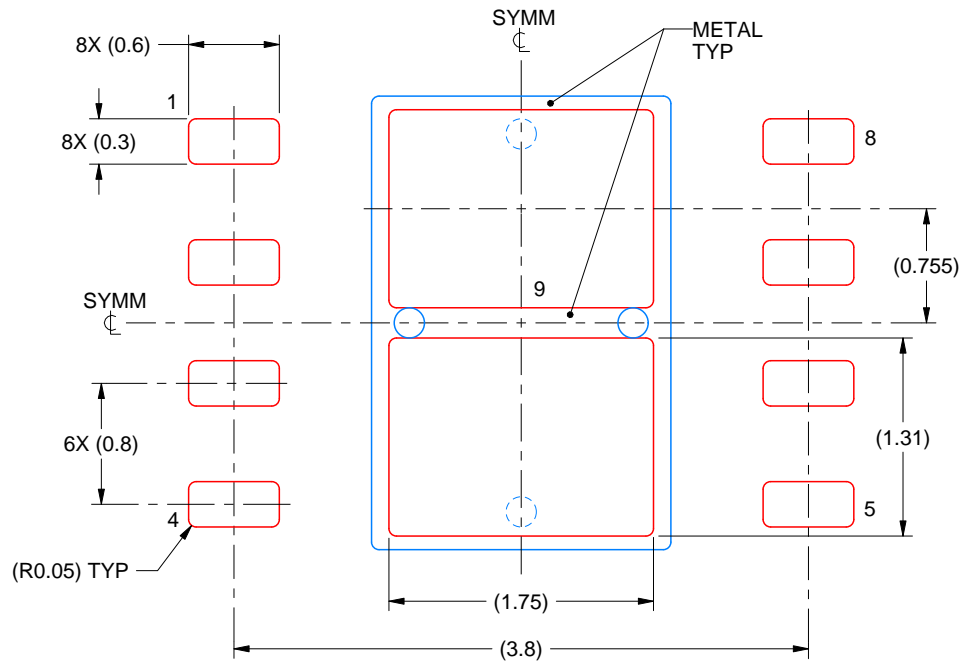


# EXAMPLE STENCIL DESIGN

NGU0008B

WSON - 0.8 mm max height

PLASTIC SMALL OUTLINE - NO LEAD



SOLDER PASTE EXAMPLE  
BASED ON 0.125 mm THICK STENCIL

EXPOSED PAD 9:  
77% PRINTED SOLDER COVERAGE BY AREA UNDER PACKAGE  
SCALE:20X

4214936/A 12/2023

NOTES: (continued)

6. Laser cutting apertures with trapezoidal walls and rounded corners may offer better paste release. IPC-7525 may have alternate design recommendations.

## 重要声明和免责声明

TI“按原样”提供技术和可靠性数据（包括数据表）、设计资源（包括参考设计）、应用或其他设计建议、网络工具、安全信息和其他资源，不保证没有瑕疵且不做任何明示或暗示的担保，包括但不限于对适销性、某特定用途方面的适用性或不侵犯任何第三方知识产权的暗示担保。

这些资源可供使用 TI 产品进行设计的熟练开发人员使用。您将自行承担以下全部责任：(1) 针对您的应用选择合适的 TI 产品，(2) 设计、验证并测试您的应用，(3) 确保您的应用满足相应标准以及任何其他功能安全、信息安全、监管或其他要求。

这些资源如有变更，恕不另行通知。TI 授权您仅可将这些资源用于研发本资源所述的 TI 产品的应用。严禁对这些资源进行其他复制或展示。您无权使用任何其他 TI 知识产权或任何第三方知识产权。您应全额赔偿因在这些资源的使用中对 TI 及其代表造成的任何索赔、损害、成本、损失和债务，TI 对此概不负责。

TI 提供的产品受 [TI 的销售条款](#) 或 [ti.com](#) 上其他适用条款/TI 产品随附的其他适用条款的约束。TI 提供这些资源并不会扩展或以其他方式更改 TI 针对 TI 产品发布的适用的担保或担保免责声明。

TI 反对并拒绝您可能提出的任何其他或不同的条款。

邮寄地址：Texas Instruments, Post Office Box 655303, Dallas, Texas 75265

Copyright © 2024，德州仪器 (TI) 公司