

# LMR16010 SIMPLE SWITCHER® 60V、1A 降压转换器 (I<sub>Q</sub> 为 40μA)

## 1 特性

- 输入电压范围：4.3V 至 60V
- 1A 持续输出电流
- 40μA 超低工作静态电流
- 155mΩ 高侧金属氧化物半导体场效应晶体管 (MOSFET)
- 电流模式控制
- 可调节开关频率范围：200kHz 至 2.5MHz
- 与外部时钟频率同步
- 内部补偿方便使用
- 支持高占空比运行
- 精密使能引脚
- 电源正常状态标志
- 关断电流：1μA
- 热保护、过压保护和短路保护
- 8 引脚 HSOIC PowerPAD™ 封装

## 2 应用范围

- 汽车电池稳压
- 工业用电源
- 电信和数据通信系统
- 通用宽 VIN 稳压

## 3 说明

LMR16010 是一款集成高侧 MOSFET 的 60V、1A SIMPLE SWITCHER® 降压稳压器。该器件具有 4.3V 至 60V 的宽输入电压范围，适用于从工业到汽车各类应用中非稳压电源的电源调节。该稳压器在休眠模式下的静态电流为 40μA，非常适合电池供电类系统。并且在关断模式下具有 1μA 的超低电流，可进一步延长电池使用寿命。该稳压器的可调开关频率范围较宽，这使得效率或外部元件尺寸能够得到优化。内部环路补偿意味着用户不用承担设计环路补偿组件的枯燥工作。并且还能够以最大限度减少器件的外部元件数。精密使能输入简化了稳压器控制和系统电源排序。此外，该器件还内置多种保护特性：逐周期电流限制保护、应对功耗过大的热感测和热关断保护以及输出过压保护。

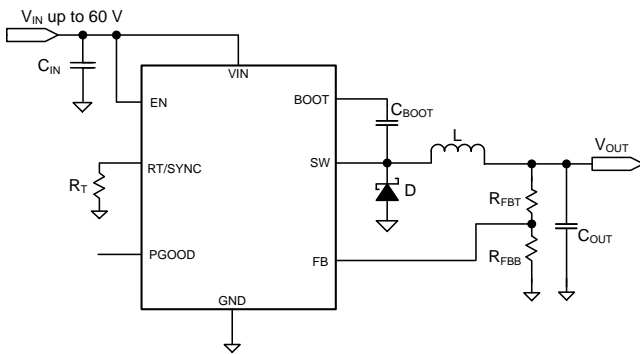
LMR16010 采用带有外露焊盘的 8 引脚 HSOIC 封装，用于实现低热阻。

器件信息 (1)

| 部件号           | 封装        | 封装尺寸 (标称值)      |
|---------------|-----------|-----------------|
| LMR16010PDDAR | HSOIC (8) | 4.89mm x 3.90mm |

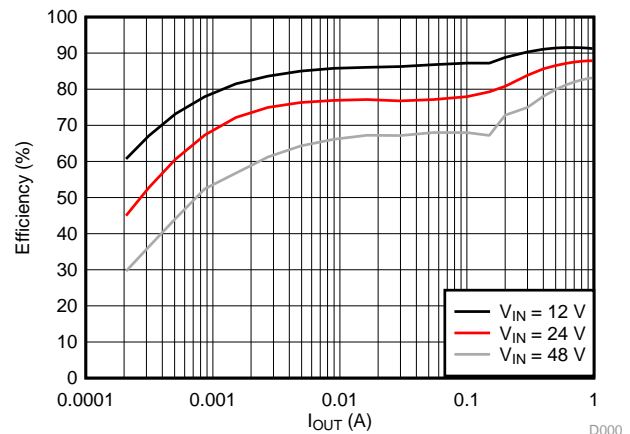
(1) 要了解所有可用封装，请见数据表末尾的可订购产品附录。

简化电路原理图



Copyright © 2016, Texas Instruments Incorporated

效率与输出电流间的关系  
(V<sub>out</sub> = 5V, f<sub>sw</sub> = 500kHz)



## 目录

|          |  |           |           |   |           |
|----------|--|-----------|-----------|---|-----------|
| <b>1</b> | 特性 .....                                     | <b>1</b>  | 7.3       | Feature Description .....                   | <b>11</b> |
| <b>2</b> | 应用范围 .....                                   | <b>1</b>  | 7.4       | Device Functional Modes .....               | <b>18</b> |
| <b>3</b> | 说明 .....                                     | <b>1</b>  | <b>8</b>  | <b>Application and Implementation</b> ..... | <b>19</b> |
| <b>4</b> | 修订历史记录 .....                                 | <b>2</b>  | 8.1       | Application Information .....               | <b>19</b> |
| <b>5</b> | <b>Pin Configuration and Functions</b> ..... | <b>3</b>  | 8.2       | Typical Application .....                   | <b>19</b> |
| <b>6</b> | <b>Specifications</b> .....                  | <b>4</b>  | <b>9</b>  | <b>Power Supply Recommendations</b> .....   | <b>24</b> |
| 6.1      | Absolute Maximum Ratings .....               | <b>4</b>  | <b>10</b> | <b>Layout</b> .....                         | <b>24</b> |
| 6.2      | ESD Ratings .....                            | <b>4</b>  | 10.1      | Layout Guidelines .....                     | <b>24</b> |
| 6.3      | Recommended Operating Conditions .....       | <b>4</b>  | 10.2      | Layout Example .....                        | <b>25</b> |
| 6.4      | Thermal Information .....                    | <b>5</b>  | <b>11</b> | 器件和文档支持 .....                               | <b>26</b> |
| 6.5      | Electrical Characteristics .....             | <b>5</b>  | 11.1      | 器件支持 .....                                  | <b>26</b> |
| 6.6      | Switching Characteristics .....              | <b>7</b>  | 11.2      | 社区资源 .....                                  | <b>26</b> |
| 6.7      | Typical Characteristics .....                | <b>8</b>  | 11.3      | 商标 .....                                    | <b>26</b> |
| <b>7</b> | <b>Detailed Description</b> .....            | <b>10</b> | 11.4      | 静电放电警告 .....                                | <b>26</b> |
| 7.1      | Overview .....                               | <b>10</b> | 11.5      | Glossary .....                              | <b>26</b> |
| 7.2      | Functional Block Diagram .....               | <b>11</b> | <b>12</b> | 机械、封装和可订购信息 .....                           | <b>27</b> |

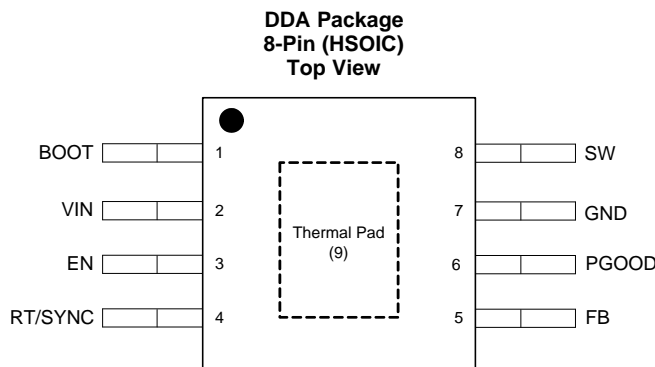
## 4 修订历史记录

### Changes from Original (December 2015) to Revision A

**Page**

|                                   |          |
|-----------------------------------|----------|
| • 已更改 完整版数据表中的“产品预览”至“量产数据” ..... | <b>1</b> |
|-----------------------------------|----------|

## 5 Pin Configuration and Functions



### Pin Functions

| PIN         |     | TYPE <sup>(1)</sup> | DESCRIPTION  |
|-------------|-----|---------------------|--|
| NAME        | NO. |                     |  |
| BOOT        | 1   | P                   | Bootstrap capacitor connection for high-side MOSFET driver. Connect a high quality 0.1 $\mu$ F capacitor from BOOT to SW.  |
| VIN         | 2   | P                   | Connect to power supply and bypass capacitors $C_{IN}$ . Path from VIN pin to high frequency bypass $C_{IN}$ and GND must be as short as possible.   |
| EN          | 3   | A                   | Enable pin, with internal pull-up current source. Pull below 1.2 V to disable. Float or connect to VIN to enable. Adjust the input under voltage lockout with two resistors. See the Enable and Adjusting Under voltage lockout section.   |
| RT/SYNC     | 4   | A                   | Resistor Timing or External Clock input. An internal amplifier holds this pin at a fixed voltage when using an external resistor to ground to set the switching frequency. If the pin is pulled above the PLL upper threshold, a mode change occurs and the pin becomes a synchronization input. The internal amplifier is disabled and the pin is a high impedance clock input to the internal PLL. If clocking edges stop, the internal amplifier is re-enabled and the operating mode returns to frequency programming by resistor. |
| FB          | 5   | A                   | Feedback input pin, connect to the feedback divider to set $V_{OUT}$ . Do not short this pin to ground during operation.   |
| PGOOD       | 6   | A                   | Power-Good pin, open drain output for power-good flag, use a 10 k $\Omega$ to 100 k $\Omega$ pull-up resistor to logic rail or other DC voltage no higher than 7 V.  |
| GND         | 7   | G                   | System ground pin.   |
| SW          | 8   | P                   | Switching output of the regulator. Internally connected to high-side power MOSFET. Connect to power inductor.  |
| Thermal Pad | 9   | G                   | Major heat dissipation path of the die. Must be connected to ground plane on PCB.  |

(1) A = Analog, P = Power, G = Ground

## 6 Specifications

### 6.1 Absolute Maximum Ratings

Over the recommended operating junction temperature range of -40 °C to 125 °C (unless otherwise noted) <sup>(1)</sup>

|                  |                      | MIN  | MAX | UNIT |
|------------------|----------------------|------|-----|------|
| Input Voltages   | VIN, EN to GND       | -0.3 | 65  | V    |
|                  | BOOT to GND          | -0.3 | 71  |      |
|                  | FB to GND            | -0.3 | 7   |      |
|                  | RT/SYNC to GND       | -0.3 | 3.6 |      |
|                  | PGOOD to GND         | -0.3 | 7   |      |
| Output Voltages  | BOOT to SW           |      | 6.5 | V    |
|                  | SW to GND            | -3   | 65  |      |
| T <sub>J</sub>   | Junction temperature | -40  | 150 | °C   |
| T <sub>stg</sub> | Storage temperature  | -65  | 150 | °C   |

- (1) Stresses beyond those listed under *Absolute Maximum Ratings* may cause permanent damage to the device. These are stress ratings only, which do not imply functional operation of the device at these or any other conditions beyond those indicated under *Recommended Operating Conditions*. Exposure to absolute-maximum-rated conditions for extended periods may affect device reliability.

### 6.2 ESD Ratings

|                    |                         | VALUE                                     | UNIT  |
|--------------------|-------------------------|---|-------|
| V <sub>(ESD)</sub> | Electrostatic discharge | Human-body model (HBM) <sup>(1)</sup>     | ±2000 |
|                    |                         | Charged-device model (CDM) <sup>(2)</sup> | ±500  |

- (1) JEDEC document JEP155 states that 500-V HBM allows safe manufacturing with a standard ESD control process.  
 (2) JEDEC document JEP157 states that 250-V CDM allows safe manufacturing with a standard ESD control process.

### 6.3 Recommended Operating Conditions

Over the recommended operating junction temperature range of -40 °C to 125 °C (unless otherwise noted) <sup>(1)</sup>

|                |  | MIN | MAX  | UNIT |
|----------------|--|-----|------|------|
| Buck Regulator | VIN  | 4.3 | 60   | V    |
|                | VOUT   | 0.8 | 50   |      |
|                | BOOT   |     | 66   |      |
|                | SW   | -1  | 60   |      |
|                | FB   | 0   | 5    |      |
| Control        | EN   | 0   | 60   | V    |
|                | RT/SYNC  | 0   | 3.3  |      |
|                | PGOOD to GND                                   | 0   | 5    |      |
| Frequency      | Switching frequency range at RT mode           | 200 | 2500 | kHz  |
|                | Switching frequency range at SYNC mode         | 250 | 2300 |      |
| Temperature    | Operating junction temperature, T <sub>J</sub> | -40 | 125  | °C   |

- (1) Operating Ratings indicate conditions for which the device is intended to be functional, but do not guarantee specific performance limits. For guaranteed specifications, see [Electrical Characteristics](#).

## 6.4 Thermal Information

| THERMAL METRIC <sup>(1)</sup> <sup>(2)</sup> |  | LMR16010    |      |
|--|--|-------------|------|
|  |  | DDA (HSOIC) |      |
|  |  | 8 PINS      |      |
|  |  |             | UNIT |
| R <sub>θJA</sub>                             | Junction-to-ambient thermal resistance       | 42.5        | °C/W |
| Ψ <sub>JT</sub>                              | Junction-to-top characterization parameter   | 9.9         | °C/W |
| Ψ <sub>JB</sub>                              | Junction-to-board characterization parameter | 25.4        | °C/W |
| R <sub>θJC(top)</sub>                        | Junction-to-case (top) thermal resistance    | 56.1        | °C/W |
| R <sub>θJC(bot)</sub>                        | Junction-to-case (bottom) thermal resistance | 3.8         | °C/W |
| R <sub>θJB</sub>                             | Junction-to-board thermal resistance         | 25.5        | °C/W |

- (1) For more information about traditional and new thermal metrics, see the *Semiconductor and IC Package Thermal Metrics* application report, [SPRA953](#).
- (2) Power rating at a specific ambient temperature T<sub>A</sub> should be determined with a maximum junction temperature (T<sub>J</sub>) of 125 °C, which is illustrated in [Recommended Operating Conditions](#) section.

## 6.5 Electrical Characteristics

Limits apply over the recommended operating junction temperature (T<sub>J</sub>) range of -40 °C to +125 °C, unless otherwise stated. Minimum and Maximum limits are specified through test, design or statistical correlation. Typical values represent the most likely parametric norm at T<sub>J</sub> = 25 °C, and are provided for reference purposes only. Unless otherwise specified, the following conditions apply: V<sub>IN</sub> = 4.3 V to 60 V

| PARAMETER                         |  | TEST CONDITIONS   | MIN   | TYP   | MAX   | UNIT |
|-----------------------------------|--|---|-------|-------|-------|------|
| <b>POWER SUPPLY (VIN PIN)</b>     |  |   |       |       |       |      |
| V <sub>IN</sub>                   | Operation input voltage                          |   | 4.3   |       | 60    | V    |
| UVLO                              | Under voltage lockout thresholds                 | Rising threshold  | 3.8   | 4.0   | 4.2   | V    |
|                                   |  | Hysteresis  |       | 285   |       | mV   |
| I <sub>SHDN</sub>                 | Shutdown supply current                          | V <sub>EN</sub> = 0 V, T <sub>A</sub> = 25 °C, 4.3 V ≤ V <sub>IN</sub> ≤ 60 V |       | 1.0   | 3.0   | μA   |
| I <sub>Q</sub>                    | Operating quiescent current (non-switching)      | V <sub>FB</sub> = 1.0 V, T <sub>A</sub> = 25 °C                               |       | 40    |       | μA   |
| <b>ENABLE (EN PIN)</b>            |  |   |       |       |       |      |
| V <sub>EN_TH</sub>                | EN Threshold Voltage                             |   | 1.05  | 1.20  | 1.38  | V    |
| I <sub>EN_PIN</sub>               | EN PIN current                                   | Enable threshold +50 mV   |       | -4.6  |       | μA   |
|                                   |  | Enable threshold -50 mV   |       | -1.0  |       | μA   |
| I <sub>EN_HYS</sub>               | EN hysteresis current                            |   |       | -3.6  |       | μA   |
| <b>SOFT-START</b>                 |  |   |       |       |       |      |
| t <sub>SS</sub>                   | Internal soft-start time                         | 10% to 90% of FB voltage  |       | 4.0   |       | ms   |
| <b>POWER GOOD (PGOOD PIN)</b>     |  |   |       |       |       |      |
| V <sub>PG_UV</sub>                | Power-good flag under voltage tripping threshold | POWER GOOD (% of FB voltage)  |       | 94    |       | %    |
|                                   |  | POWER BAD (% of FB voltage)   |       | 92    |       | %    |
| V <sub>PG_OV</sub>                | Power-good flag over voltage tripping threshold  | POWER BAD (% of FB voltage)   |       | 109   |       | %    |
|                                   |  | POWER GOOD (% of FB voltage)  |       | 107   |       | %    |
| V <sub>PG_HYS</sub>               | Power-good flag recovery hysteresis              | % of FB voltage   |       | 2     |       | %    |
| I <sub>PG</sub>                   | PGOOD leakage current at high level output       | V <sub>Pull-Up</sub> = 5 V  |       | 10    | 200   | nA   |
| V <sub>PG_LOW</sub>               | PGOOD low level output voltage                   | I <sub>Pull-Up</sub> = 1 mA   |       | 0.1   |       | V    |
| V <sub>IN_PG_MIN</sub>            | Minimum V <sub>IN</sub> for valid PGOOD output   | V <sub>Pull-Up</sub> < 5 V at I <sub>Pull-Up</sub> = 100 μA                   |       | 1.6   | 1.95  | V    |
| <b>VOLTAGE REFERENCE (FB PIN)</b> |  |   |       |       |       |      |
| V <sub>FB</sub>                   | Feedback voltage                                 | T <sub>J</sub> = 25 °C  | 0.746 | 0.750 | 0.754 | V    |
|                                   |  | T <sub>J</sub> = -40 °C to 125 °C   | 0.735 | 0.750 | 0.765 | V    |

**Electrical Characteristics (continued)**

Limits apply over the recommended operating junction temperature ( $T_J$ ) range of  $-40\text{ }^\circ\text{C}$  to  $+125\text{ }^\circ\text{C}$ , unless otherwise stated. Minimum and Maximum limits are specified through test, design or statistical correlation. Typical values represent the most likely parametric norm at  $T_J = 25\text{ }^\circ\text{C}$ , and are provided for reference purposes only. Unless otherwise specified, the following conditions apply:  $V_{IN} = 4.3\text{ V}$  to  $60\text{ V}$

| PARAMETER                             |                            | TEST CONDITIONS   | MIN  | TYP  | MAX | UNIT             |
|---------------------------------------|----------------------------|---|------|------|-----|------------------|
| <b>HIGH-SIDE MOSFET</b>               |                            |   |      |      |     |                  |
| $R_{DS\_ON}$                          | On-resistance              | $V_{IN} = 12\text{ V}$ , BOOT to SW = $5.8\text{ V}$                  |      | 155  | 320 | m $\Omega$       |
| <b>HIGH-SIDE MOSFET CURRENT LIMIT</b> |                            |   |      |      |     |                  |
| $I_{LIMIT}$                           | Current limit              | $V_{IN} = 12\text{ V}$ , $T_A = 25\text{ }^\circ\text{C}$ , Open Loop | 1.45 | 1.75 | 2.1 | A                |
| <b>THERMAL PERFORMANCE</b>            |                            |   |      |      |     |                  |
| $T_{SHDN}$                            | Thermal shutdown threshold |   |      | 170  |     | $^\circ\text{C}$ |
| $T_{HYS}$                             | Hysteresis                 |   |      | 12   |     |                  |

## 6.6 Switching Characteristics

Over the recommended operating junction temperature range of -40 °C to 125 °C (unless otherwise noted)

| PARAMETER             |  | TEST CONDITIONS   | MIN  | TYP  | MAX  | UNIT |
|-----------------------|--|---|------|------|------|------|
| f <sub>SW</sub>       | Switching frequency                    | R <sub>T</sub> = 11.5 kΩ  | 1758 | 1912 | 2066 | kHz  |
|                       | Switching frequency range at SYNC mode |   | 250  |      | 2300 |      |
| V <sub>SYNC_HI</sub>  | SYNC clock high level threshold        |   | 1.7  |      |      | V    |
| V <sub>SYNC_LO</sub>  | SYNC clock low level threshold         |   |      | 0.5  |      |      |
| T <sub>SYNC_MIN</sub> | Minimum SYNC input pulse width         | Measured at 500 kHz, V <sub>SYNC_HI</sub> > 3 V, V <sub>SYNC_LO</sub> < 0.3 V |      | 30   |      | ns   |
| T <sub>LOCK_IN</sub>  | PLL lock in time                       | Measured at 500 kHz   |      | 100  |      | μs   |
| T <sub>ON_MIN</sub>   | Minimum controllable on time           | V <sub>IN</sub> = 12 V, BOOT to SW = 5.8 V, I <sub>Load</sub> = 1 A           |      | 90   |      | ns   |
| D <sub>MAX</sub>      | Maximum duty cycle                     | f <sub>SW</sub> = 200 kHz   |      | 97%  |      |      |

### 6.7 Typical Characteristics

Unless otherwise specified the following conditions apply:  $V_{IN} = 24\text{ V}$ ,  $f_{SW} = 500\text{ KHz}$ ,  $L = 22\ \mu\text{H}$ ,  $C_{OUT} = 47\ \mu\text{F}$ ,  $T_A = 25\ ^\circ\text{C}$ .

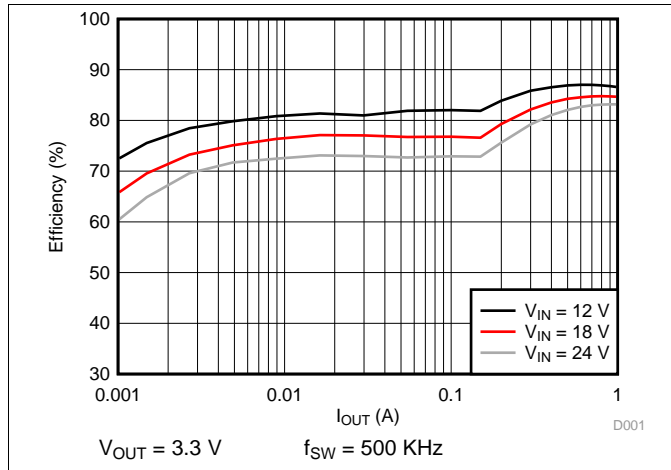


Figure 1. Efficiency vs. Load Current

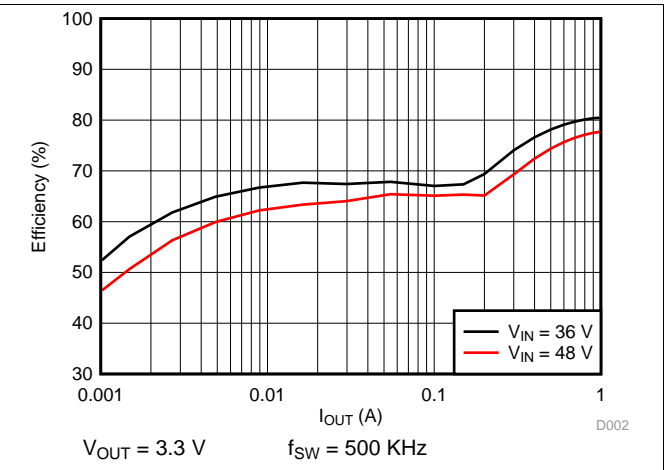


Figure 2. Efficiency vs. Load Current

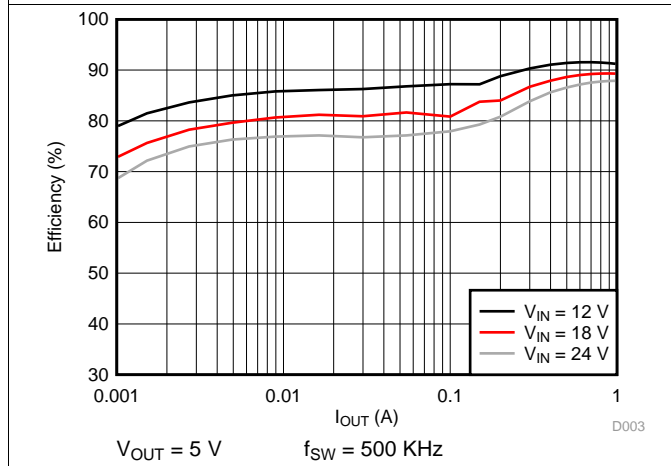


Figure 3. Efficiency vs. Load Current

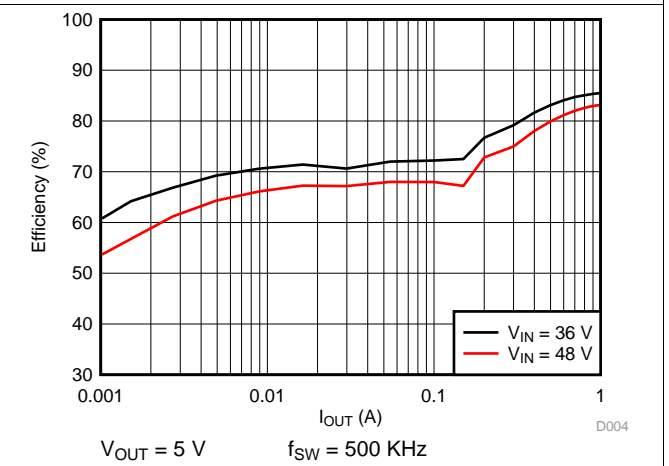


Figure 4. Efficiency vs. Load Current

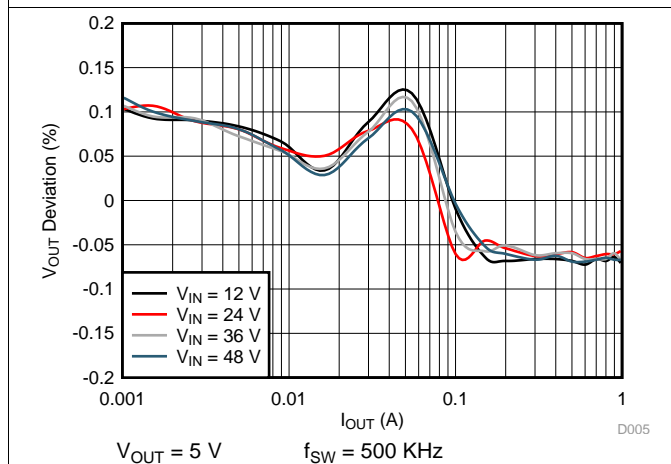


Figure 5. Load Regulation

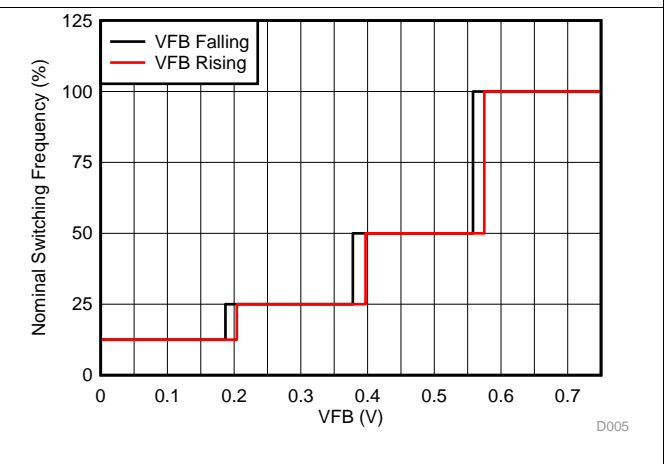


Figure 6. Frequency vs  $V_{FB}$



Typical Characteristics (continued)

Unless otherwise specified the following conditions apply:  $V_{IN} = 24\text{ V}$ ,  $f_{SW} = 500\text{ KHz}$ ,  $L = 22\ \mu\text{H}$ ,  $C_{OUT} = 47\ \mu\text{F}$ ,  $T_A = 25\ ^\circ\text{C}$ .

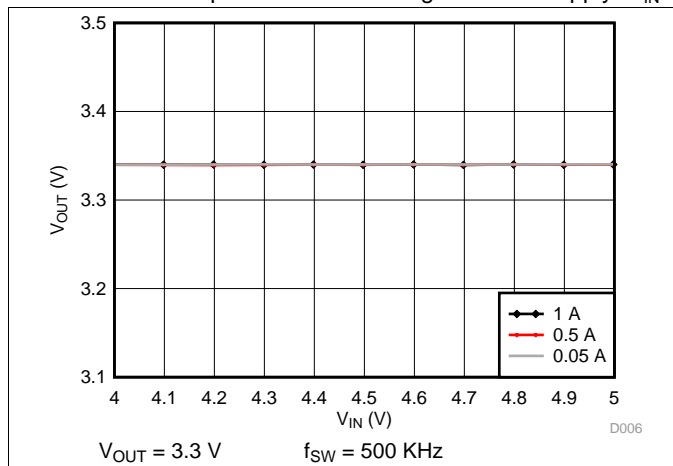


Figure 7. Dropout Curve

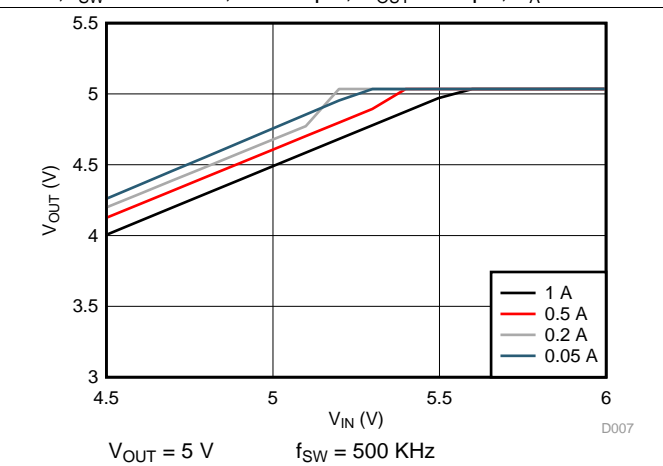


Figure 8. Dropout Curve

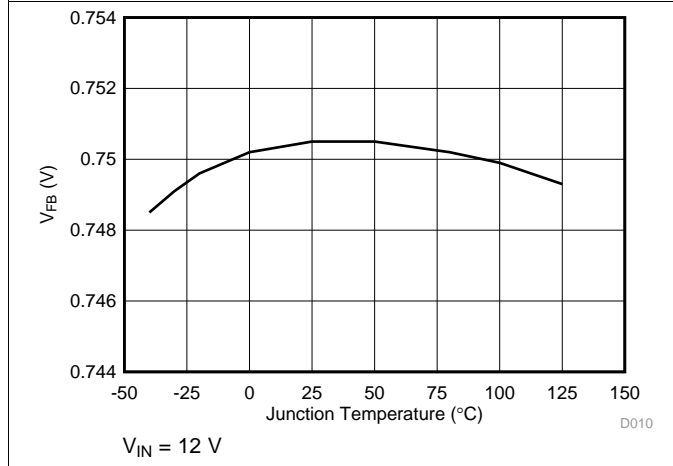


Figure 9. Voltage Reference vs Junction Temperature

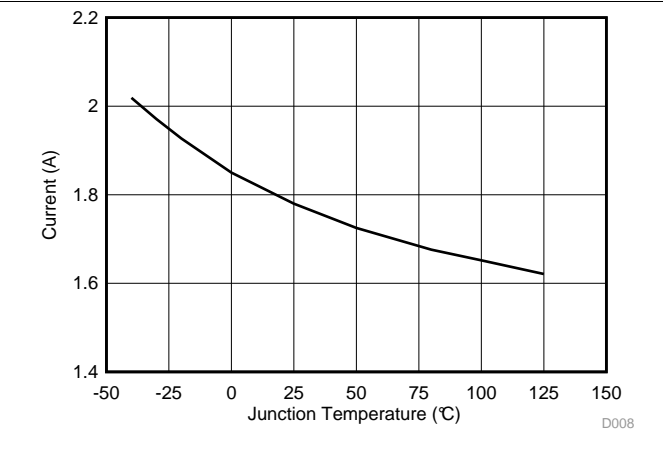


Figure 10. High-Side Current Limit vs Junction Temperature

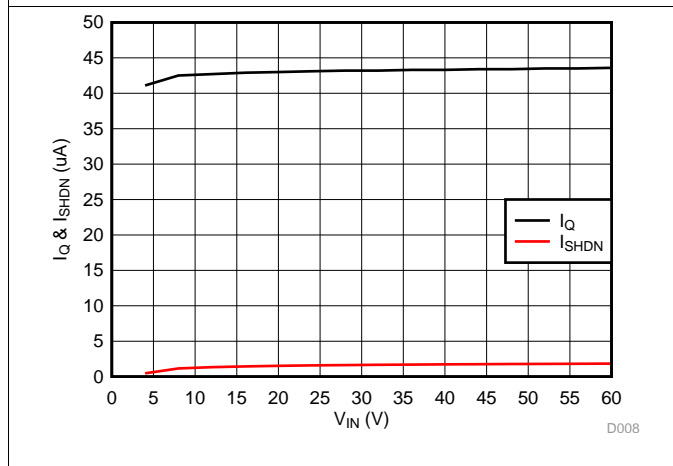


Figure 11. Shut-down Current and Quiescent Current

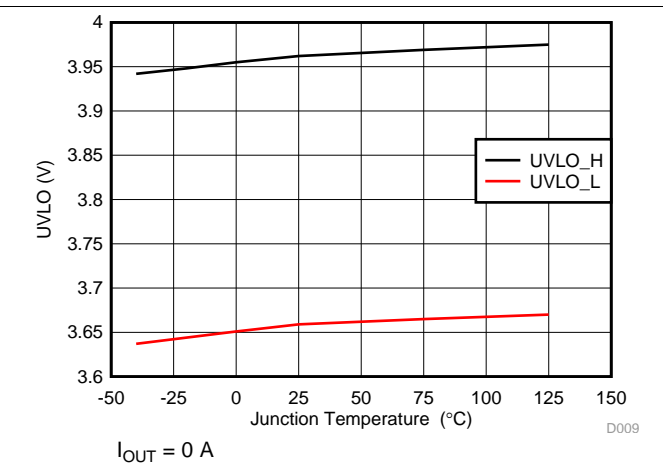


Figure 12. UVLO Threshold

## 7 Detailed Description

### 7.1 Overview

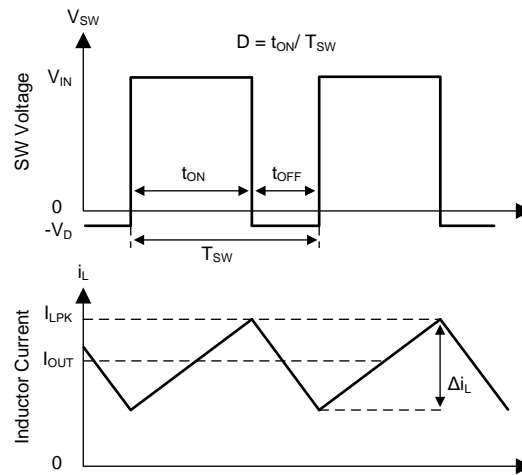
The LMR16010 SIMPLE SWITCHER<sup>®</sup> regulator is an easy to use step-down DC-DC converter that operates from a 4.3 V to 60 V supply voltage. It integrates a 155 m $\Omega$  (typical) high-side MOSFET, and is capable of delivering up to 1 A DC load current with exceptional efficiency and thermal performance in a very small solution size. The operating current is typically 40  $\mu$ A under no load condition (not switching). When the device is disabled, the supply current is typically 1  $\mu$ A. An extended family is available in 2 A and 3 A load options in pin to pin compatible packages.

The LMR16010 implements constant frequency peak current mode control with Sleep-mode at light load to achieve high efficiency. The device is internally compensated, which reduces design time, and requires fewer external components. The switching frequency is programmable from 200 kHz to 2.5 MHz by an external resistor  $R_T$ . The LMR16010 is also capable of synchronization to an external clock within the 250 kHz to 2.3 MHz frequency range, which allows the device to be optimized to fit small board space at higher frequency, or high efficient power conversion at lower frequency.

Other features are included for more comprehensive system requirements, including precision enable, and approximate 97% duty cycle by BOOT capacitor recharge circuit. These features provide a flexible and easy to use platform for a wide range of applications. Protection features include over temperature shutdown,  $V_{OUT}$  over voltage protection (OVP),  $V_{IN}$  under-voltage lockout (UVLO), cycle-by-cycle current limit, and short-circuit protection with frequency fold-back.



## Feature Description (continued)



**Figure 13. SW Node and Inductor Current Waveforms in Continuous Conduction Mode (CCM)**

The LMR16010 employs fixed frequency peak current mode control. A voltage feedback loop is used to get accurate DC voltage regulation by adjusting the peak current command based on voltage offset. The peak inductor current is sensed from the high-side switch and compared to the peak current to control the ON time of the high-side switch. The voltage feedback loop is internally compensated, which allows for fewer external components, makes it easy to design, and provides stable operation with almost any combination of output capacitors. The regulator operates with fixed switching frequency at normal load condition. At very light load, the LMR16010 will operate in Sleep-mode to maintain high efficiency and the switching frequency will decrease with reduced load current.

### 7.3.2 Slope Compensation

The LMR16010 adds a compensating ramp to the MOSFET switch current sense signal. This slope compensation prevents sub-harmonic oscillations at duty cycles greater than 50%. The peak current limit of the high-side switch is not affected by the slope compensation and remains constant over the full duty cycle range.

### 7.3.3 Sleep-mode

The LMR16010 operates in Sleep-mode at light load currents to improve efficiency by reducing switching and gate drive losses. If the output voltage is within regulation and the peak switch current at the end of any switching cycle is below the current threshold of 300 mA, the device enters Sleep-mode. The Sleep-mode current threshold is the peak switch current level corresponding to a nominal internal COMP voltage of 400 mV.

When in Sleep-mode, the internal COMP voltage is clamped at 400 mV and the high-side MOSFET is inhibited, and the device draws only 40  $\mu$ A (typical) input quiescent current. Since the device is not switching, the output voltage begins to decay. The voltage control loop responds to the falling output voltage by increasing the internal COMP voltage. The high-side MOSFET is enabled and switching resumes when the error amplifier lifts internal COMP voltage above 400 mV. The output voltage recovers to the regulated value, and internal COMP voltage eventually falls below the Sleep-mode threshold at which time the device again enters Sleep-mode.

### 7.3.4 Low Dropout Operation and Bootstrap Voltage (BOOT)

The LMR16010 provides an integrated bootstrap voltage regulator. A small capacitor between the BOOT and SW pins provides the gate drive voltage for the high-side MOSFET. The BOOT capacitor is refreshed when the high-side MOSFET is off and the external low side diode conducts. The recommended value of the BOOT capacitor is 0.1  $\mu$ F. A ceramic capacitor with an X7R or X5R grade dielectric with a voltage rating of 16 V or greater is recommended for stable performance over temperature and voltage.

## Feature Description (continued)

When operating with a low voltage difference from input to output, the high-side MOSFET of the LMR16010 will operate at approximate 97% duty cycle. When the high-side MOSFET is continuously on for 5 or 6 switching cycles (5 or 6 switching cycles for frequency lower than 1 MHz, and 10 or 11 switching cycles for frequency higher than 1 MHz) and the voltage from BOOT to SW drops below 3.2 V, the high-side MOSFET is turned off and an integrated low side MOSFET pulls SW low to recharge the BOOT capacitor.

Since the gate drive current sourced from the BOOT capacitor is small, the high-side MOSFET can remain on for many switching cycles before the MOSFET is turned off to refresh the capacitor. Thus the effective duty cycle of the switching regulator can be high, approaching 97%. The effective duty cycle of the converter during dropout is mainly influenced by the voltage drops across the power MOSFET, the inductor resistance, the low side diode voltage and the printed circuit board resistance.

### 7.3.5 Adjustable Output Voltage

The internal voltage reference produces a precise 0.75 V (typical) voltage reference over the operating temperature range. The output voltage is set by a resistor divider from output voltage to the FB pin. It is recommended to use 1% tolerance or better and temperature coefficient of 100 ppm or less divider resistors. Select the low side resistor  $R_{FBB}$  for the desired divider current and use Equation 1 to calculate high-side  $R_{FBT}$ . Larger value divider resistors are good for efficiency at light load. However, if the values are too high, the regulator will be more susceptible to noise and voltage errors from the FB input current may become noticeable.  $R_{FBB}$  in the range from 10 k $\Omega$  to 100 k $\Omega$  is recommended for most applications.

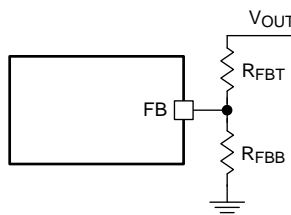


Figure 14. Output Voltage Setting

$$R_{FBT} = \frac{V_{OUT} - 0.75}{0.75} \times R_{FBB} \quad (1)$$

### 7.3.6 Enable and Adjustable Under-voltage Lockout

The LMR16010 is enabled when the VIN pin voltage rises above 4.0 V (typical) and the EN pin voltage exceeds the enable threshold of 1.2 V (typical). The LMR16010 is disabled when the VIN pin voltage falls below 3.715 V (typical) or when the EN pin voltage is below 1.2 V (typical). The EN pin has an internal pull-up current source (typically  $I_{EN} = 1 \mu\text{A}$ ) that enables operation of the LMR16010 when the EN pin is floating.

Many applications will benefit from the employment of an enable divider  $R_{ENT}$  and  $R_{ENB}$  in Figure 15 to establish a precision system UVLO level for the stage. System UVLO can be used for supplies operating from utility power as well as battery power. It can be used for sequencing, ensuring reliable operation, or supply protection, such as a battery. An external logic signal can also be used to drive EN input for system sequencing and protection.

When EN terminal voltage exceeds 1.2 V, an additional hysteresis current (typically  $I_{HYS} = 3.6 \mu\text{A}$ ) is sourced out of EN terminal. When the EN terminal is pulled below 1.2 V,  $I_{HYS}$  current is removed. This additional current facilitates adjustable input voltage UVLO hysteresis. Use Equation 2 and Equation 3 to calculate  $R_{ENT}$  and  $R_{ENB}$  for desired UVLO hysteresis voltage.

Feature Description (continued)

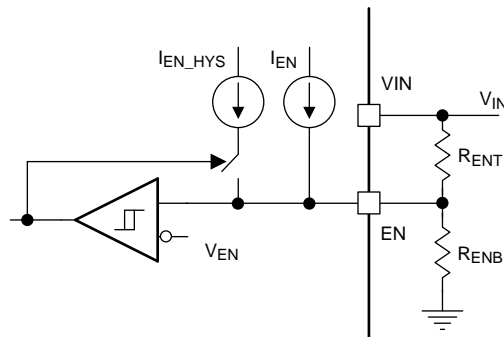


Figure 15. System UVLO By Enable Dividers

$$R_{ENT} = \frac{V_{START} - V_{STOP}}{I_{HYS}} \tag{2}$$

$$R_{ENB} = \frac{V_{EN}}{\frac{V_{START} - V_{EN}}{R_{ENT}} + I_{EN}} \tag{3}$$

where  $V_{START}$  is the desired voltage threshold to enable LMR16010,  $V_{STOP}$  is the desired voltage threshold to disable device,  $I_{EN} = 1 \mu A$  and  $I_{HYS} = 3.6 \mu A$  typically.

7.3.7 Switching Frequency and Synchronization (RT/SYNC)

The switching frequency of the LMR16010 can be programmed by the resistor  $R_T$  from the RT/SYNC pin and GND pin. The RT/SYNC pin can't be left floating or shorted to ground. To determine the timing resistance for a given switching frequency, use Equation 4 or the curve in Figure 16. Table 1 gives typical  $R_T$  values for a given  $f_{sw}$ .

$$R_T(k\Omega) = 42904 \times f_{sw}(kHz)^{-1.088} \tag{4}$$

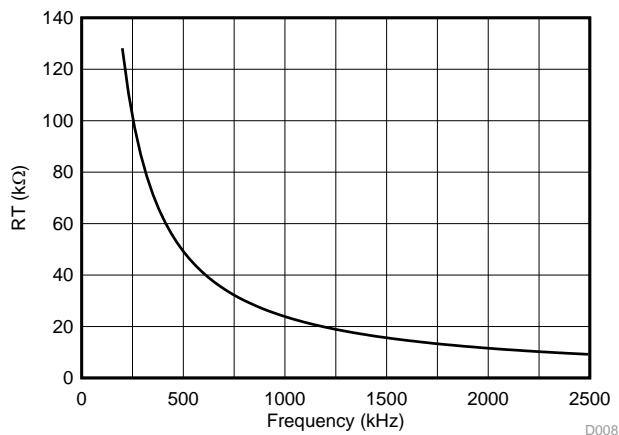


Figure 16. RT vs Frequency Curve

Table 1. Typical Frequency Setting RT Resistance

| $f_{sw}$ (kHz) | $R_T$ (kΩ) |
|----------------|------------|
| 200            | 133        |
| 350            | 73.2       |
| 500            | 49.9       |

Feature Description (continued)

Table 1. Typical Frequency Setting RT Resistance (continued)

| $f_{sw}$ (kHz) | $R_T$ (k $\Omega$ ) |
|----------------|---------------------|
| 750            | 32.4                |
| 1000           | 23.2                |
| 1500           | 15.0                |
| 1912           | 11.5                |
| 2200           | 9.76                |

The LMR16010 switching action can also be synchronized to an external clock from 250 kHz to 2.3 MHz. Connect a square wave to the RT/SYNC pin through either circuit network shown in Figure 17. Internal oscillator is synchronized by the falling edge of external clock. The recommendations for the external clock include: high level no lower than 1.7 V, low level no higher than 0.5 V and have a pulse width greater than 30 ns. When using a low impedance signal source, the frequency setting resistor  $R_T$  is connected in parallel with an AC coupling capacitor  $C_{COUP}$  to a termination resistor  $R_{TERM}$  (e.g., 50  $\Omega$ ). The two resistors in series provide the default frequency setting resistance when the signal source is turned off. A 10 pF ceramic capacitor can be used for  $C_{COUP}$ . Figure 18, Figure 19 and Figure 20 show the device synchronized to an external system clock.

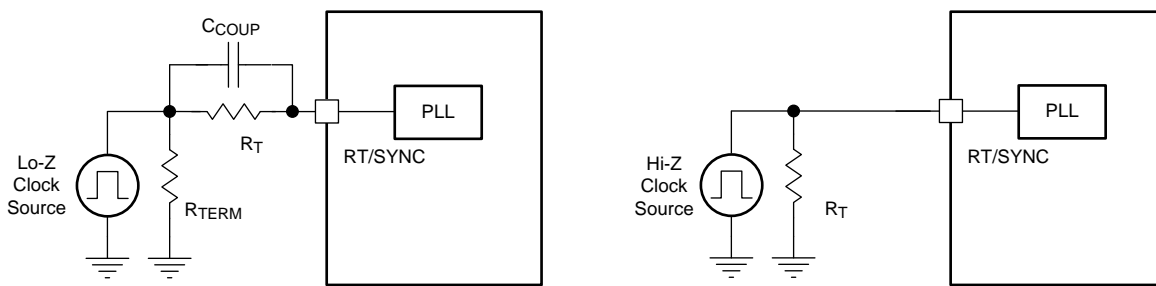


Figure 17. Synchronizing to an External Clock

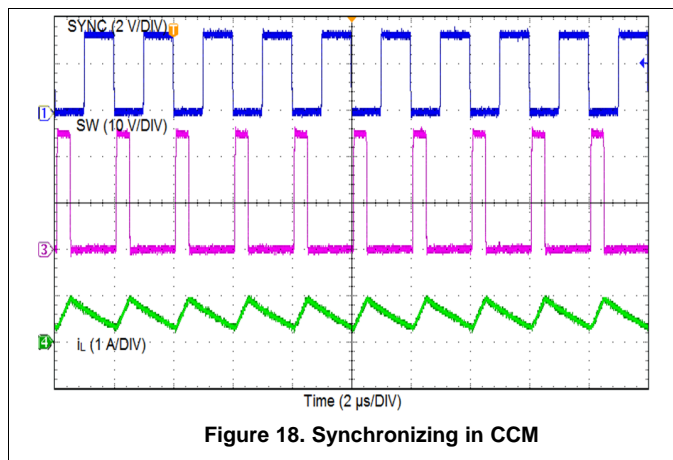


Figure 18. Synchronizing in CCM

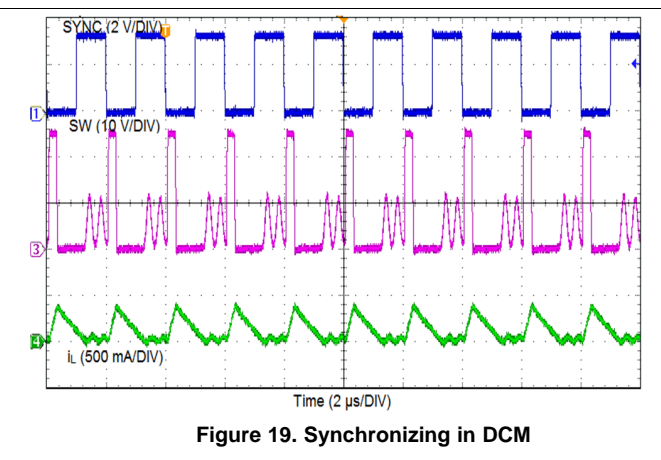
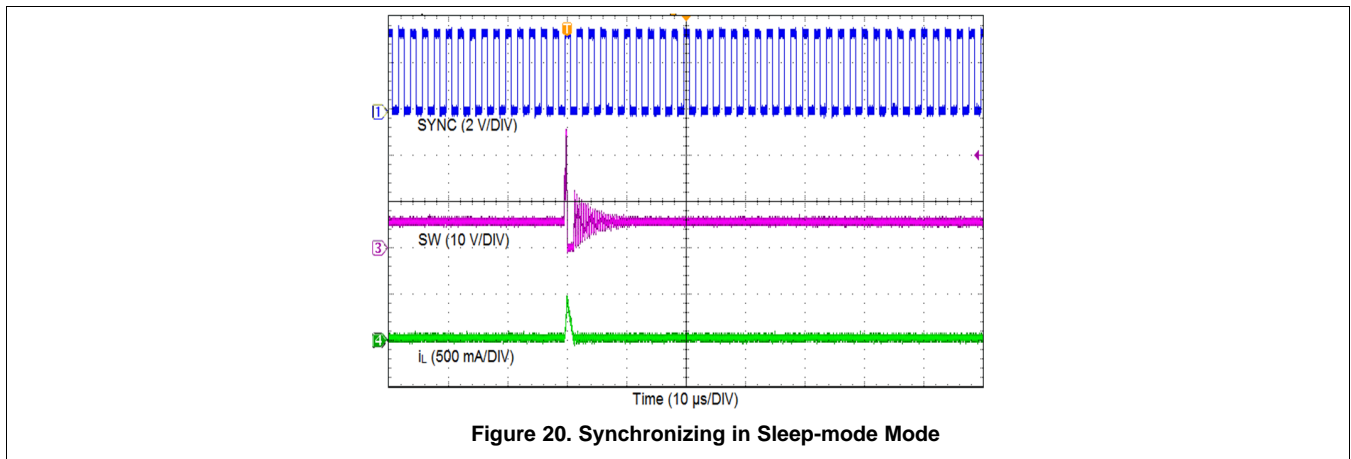


Figure 19. Synchronizing in DCM



Equation 5 calculates the maximum switching frequency limitation set by the minimum controllable on time and the input to output step down ratio. Setting the switching frequency above this value will cause the regulator to skip switching pulses to achieve the low duty cycle required at maximum input voltage.

$$f_{SW(max)} = \frac{1}{t_{ON}} \times \left( \frac{I_{OUT} \times R_{IND} + V_{OUT} + V_D}{V_{IN\_MAX} - I_{OUT} \times R_{DS\_ON} + V_D} \right) \tag{5}$$

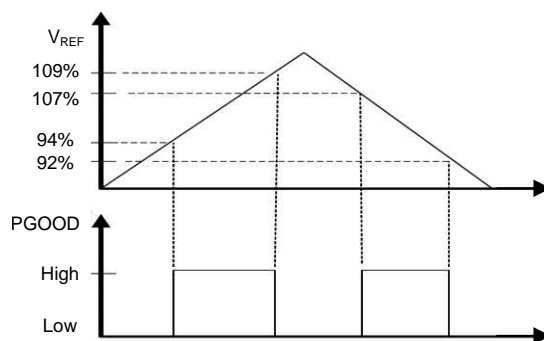
where

- $I_{OUT}$  = Output current
- $R_{IND}$  = Inductor series resistance
- $V_{IN\_MAX}$  = Maximum input voltage
- $V_{OUT}$  = Output voltage
- $V_D$  = Diode voltage drop
- $R_{DS\_ON}$  = High-side MOSFET switch on resistance
- $t_{ON}$  = Minimum on time

### 7.3.8 Power Good (PGOOD)

The LMR16010 has a built in power-good flag shown on PGOOD pin to indicate whether the output voltage is within its regulation level. The PGOOD signal can be used for start-up sequencing of multiple rails or fault protection. The PGOOD pin is an open-drain output that requires a pull-up resistor to an appropriate DC voltage. Voltage seen by the PGOOD pin should never exceed 7 V. A resistor divider pair can be used to divide the voltage down from a higher potential. A typical range of pull-up resistor value is 10 kΩ to 100 kΩ.

Refer to Figure 21. When the FB voltage is within the power-good band, +7% above and -6% below the internal reference  $V_{REF}$  typically, the PGOOD switch will be turned off and the PGOOD voltage will be pulled up to the voltage level defined by the pull-up resistor or divider. When the FB voltage is outside of the tolerance band, +9% above or -8% below  $V_{REF}$  typically, the PGOOD switch will be turned on and the PGOOD pin voltage will be pulled low to indicate power bad.



**Figure 21. Power-Good Flag**



### 7.3.9 Over Current and Short Circuit Protection

The LMR16010 is protected from over current condition by cycle-by-cycle current limiting on the peak current of the high-side MOSFET. High-side MOSFET over-current protection is implemented by the nature of the Peak Current Mode control. The high-side switch current is compared to the output of the Error Amplifier (EA) minus slope compensation every switching cycle. Please refer to Functional Block Diagram for more details. The peak current of high-side switch is limited by a clamped maximum peak current threshold which is constant. So the peak current limit of the high-side switch is not affected by the slope compensation and remains constant over the full duty cycle range.

The LMR16010 also implements a frequency fold-back to protect the converter in severe over-current or short conditions. The oscillator frequency is divided by 2, 4, and 8 as the FB pin voltage decrease to 75%, 50%, 25% of  $V_{REF}$ . The frequency fold-back increases the off time by increasing the period of the switching cycle, so that it provides more time for the inductor current to ramp down and leads to a lower average inductor current. Lower frequency also means lower switching loss. Frequency fold-back reduces power dissipation and prevents overheating and potential damage to the device.

#### 7.3.10 Overvoltage Protection

The LMR16010 employs an output overvoltage protection (OVP) circuit to minimize voltage overshoot when recovering from output fault conditions or strong unload transients in designs with low output capacitance. The OVP feature minimizes output overshoot by turning off high-side switch immediately when FB voltage reaches to the rising OVP threshold which is nominally 109% of the internal voltage reference  $V_{REF}$ . When the FB voltage drops below the falling OVP threshold which is nominally 107% of  $V_{REF}$ , the high-side MOSFET resumes normal operation.

#### 7.3.11 Thermal Shutdown

The LMR16010 provides an internal thermal shutdown to protect the device when the junction temperature exceeds 170 °C (typical). The high-side MOSFET stops switching when thermal shutdown activates. Once the die temperature falls below 158 °C (typical), the device reinitiates the power up sequence controlled by the internal soft-start circuitry.

## 7.4 Device Functional Modes

### 7.4.1 Shutdown Mode

The EN pin provides electrical ON and OFF control for the LMR16010. When  $V_{EN}$  is below 1.0 V, the device is in shutdown mode. The switching regulator is turned off and the quiescent current drops to 1.0  $\mu$ A typically. The LMR16010 also employs under voltage lock out protection. If  $V_{IN}$  voltage is below the UVLO level, the regulator will be turned off.

### 7.4.2 Active Mode

The LMR16010 is in Active Mode when  $V_{EN}$  is above the precision enable threshold and  $V_{IN}$  is above its UVLO level. The simplest way to enable the LMR16010 is to connect the EN pin to VIN pin. This allows self startup when the input voltage is in the operation range: 4.3 V to 60 V. Please refer to [Enable and Adjustable Under-voltage Lockout](#) for details on setting these operating levels.

In Active Mode, depending on the load current, the LMR16010 will be in one of three modes:

1. Continuous conduction mode (CCM) with fixed switching frequency when load current is above half of the peak-to-peak inductor current ripple.
2. Discontinuous conduction mode (DCM) with fixed switching frequency when load current is lower than half of the peak-to-peak inductor current ripple in CCM operation.
3. Sleep-mode when internal COMP voltage drop to 400 mV at very light load.

### 7.4.3 CCM Mode

CCM operation is employed in the LMR16010 when the load current is higher than half of the peak-to-peak inductor current. In CCM operation, the frequency of operation is fixed, output voltage ripple will be at a minimum in this mode and the maximum output current of 1 A can be supplied by the LMR16010.

### 7.4.4 Light Load Operation

When the load current is lower than half of the peak-to-peak inductor current in CCM, the LMR16010 will operate in DCM. At even lighter current loads, Sleep-mode is activated to maintain high efficiency operation by reducing switching and gate drive losses.

## 8 Application and Implementation

### NOTE

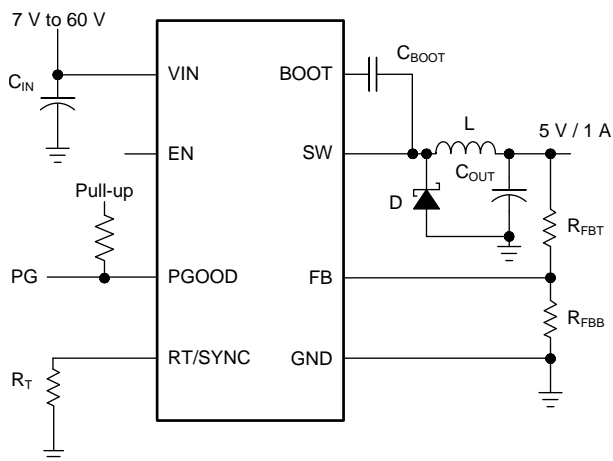
Information in the following applications sections is not part of the TI component specification, and TI does not warrant its accuracy or completeness. TI's customers are responsible for determining suitability of components for their purposes. Customers should validate and test their design implementation to confirm system functionality.

### 8.1 Application Information

The LMR16010 is a step down DC-to-DC regulator. It is typically used to convert a higher DC voltage to a lower DC voltage with a maximum output current of 1 A. The following design procedure can be used to select components for the LMR16010. This section presents a simplified discussion of the design process.

### 8.2 Typical Application

The LMR16010 only requires a few external components to convert from wide voltage range supply to a fixed output voltage. A schematic of 5 V / 1 A application circuit is shown in [Figure 22](#). The external components have to fulfill the needs of the application, but also the stability criteria of the device's control loop.



**Figure 22. Application Circuit, 5V Output**

#### 8.2.1 Design Requirements

This example details the design of a high frequency switching regulator using ceramic output capacitors. A few parameters must be known in order to start the design process. These parameters are typically determined at the system level:

**Table 2. Design Parameters**

|                                     |                           |
|-------------------------------------|---------------------------|
| Input Voltage, $V_{IN}$             | 7 V to 60 V, Typical 24 V |
| Output Voltage, $V_{OUT}$           | 5.0 V                     |
| Maximum Output Current $I_{O\_MAX}$ | 1 A                       |
| Transient Response 0.1 A to 1 A     | 5%                        |
| Output Voltage Ripple               | 50 mV                     |
| Input Voltage Ripple                | 400 mV                    |
| Switching Frequency $f_{SW}$        | 700 KHz                   |

## 8.2.2 Detailed Design Procedure

### 8.2.2.1 Output Voltage Set-Point

The output voltage of LMR16010 is externally adjustable using a resistor divider network. The divider network is comprised of top feedback resistor  $R_{FBT}$  and bottom feedback resistor  $R_{FBB}$ . Equation 6 is used to determine the output voltage:

$$R_{FBT} = \frac{V_{OUT} - 0.75}{0.75} \times R_{FBB} \quad (6)$$

Choose the value of  $R_{FBT}$  to be 100 k $\Omega$ . With the desired output voltage set to 5 V and the  $V_{FB} = 0.75$  V, the  $R_{FBB}$  value can then be calculated using Equation 6. The formula yields to a value 17.65 k $\Omega$ . Choose the closest available value of 17.8 k $\Omega$  for  $R_{FBB}$ .

### 8.2.2.2 Switching Frequency

For desired frequency, use Equation 7 to calculate the required value for  $R_T$ .

$$R_T (\text{k}\Omega) = 42904 \times f_{SW} (\text{kHz})^{-1.088} \quad (7)$$

For 700 KHz, the calculated  $R_T$  is 34.44 k $\Omega$  and standard value 34.8 k $\Omega$  can be used to set the switching frequency at 700 KHz.

### 8.2.2.3 Output Inductor Selection

The most critical parameters for the inductor are the inductance, saturation current and the RMS current. The inductance is based on the desired peak-to-peak ripple current  $\Delta i_L$ . Since the ripple current increases with the input voltage, the maximum input voltage is always used to calculate the minimum inductance  $L_{MIN}$ . Use Equation 8 to calculate the minimum value of the output inductor.  $K_{IND}$  is a coefficient that represents the amount of inductor ripple current relative to the maximum output current. A reasonable value of  $K_{IND}$  should be 20%-50% for 1 A output current. During an instantaneous short or over current operation event, the RMS and peak inductor current can be high. The inductor current rating should be higher than current limit.

$$\Delta i_L = \frac{V_{OUT} \times (V_{IN\_MAX} - V_{OUT})}{V_{IN\_MAX} \times L \times f_{SW}} \quad (8)$$

$$L_{MIN} = \frac{V_{IN\_MAX} - V_{OUT}}{I_{OUT} \times K_{IND}} \times \frac{V_{OUT}}{V_{IN\_MAX} \times f_{SW}} \quad (9)$$

In general, it is preferable to choose lower inductance in switching power supplies, because it usually corresponds to faster transient response, smaller DCR, and reduced size for more compact designs. But too low of an inductance can generate too large of an inductor current ripple such that over current protection at the full load could be falsely triggered. It also generates more conduction loss since the RMS current is slightly higher. Larger inductor current ripple also implies larger output voltage ripple with same output capacitors. With peak current mode control, it is not recommended to have too small of an inductor current ripple. A larger peak current ripple improves the comparator signal to noise ratio.

For this design example, choose  $K_{IND} = 0.5$ , the minimum inductor value is calculated to be 13.1  $\mu\text{H}$ , and a nearest standard value is chosen: 12  $\mu\text{H}$ . A standard 12  $\mu\text{H}$  ferrite inductor with a capability of 1 A RMS current and 2 A saturation current can be used.

### 8.2.2.4 Output Capacitor Selection

The output capacitor(s),  $C_{OUT}$ , should be chosen with care since it directly affects the steady state output voltage ripple, loop stability and the voltage over/undershoot during load current transients.

The output ripple is essentially composed of two parts. One is caused by the inductor current ripple going through the Equivalent Series Resistance (ESR) of the output capacitors:

$$\Delta V_{OUT\_ESR} = \Delta i_L \times ESR = K_{IND} \times I_{OUT} \times ESR \quad (10)$$

The other is caused by the inductor current ripple charging and discharging the output capacitors:

$$\Delta V_{OUT\_C} = \frac{\Delta i_L}{8 \times f_{SW} \times C_{OUT}} = \frac{K_{IND} \times I_{OUT}}{8 \times f_{SW} \times C_{OUT}} \quad (11)$$

The two components in the voltage ripple are not in phase, so the actual peak-to-peak ripple is smaller than the sum of two peaks.

Output capacitance is usually limited by transient performance specifications if the system requires tight voltage regulation with presence of large current steps and fast slew rate. When a fast large load increase happens, output capacitors provide the required charge before the inductor current can slew up to the appropriate level. The regulator's control loop usually needs three or more clock cycles to respond to the output voltage droop. The output capacitance must be large enough to supply the current difference for three clock cycles to maintain the output voltage within the specified range. Equation 12 shows the minimum output capacitance needed for specified output undershoot. When a sudden large load decrease happens, the output capacitors absorb energy stored in the inductor. The catch diode can't sink current so the energy stored in the inductor results in an output voltage overshoot. Equation 13 calculates the minimum capacitance required to keep the voltage overshoot within a specified range.

$$C_{OUT} > \frac{3 \times (I_{OH} - I_{OL})}{f_{SW} \times V_{US}} \quad (12)$$

$$C_{OUT} > \frac{I_{OH}^2 - I_{OL}^2}{(V_{OUT} + V_{OS})^2 - V_{OUT}^2} \times L \quad (13)$$

where

- $K_{IND}$  = Ripple ratio of the inductor ripple current ( $\Delta I_L / I_{OUT}$ )
- $I_{OL}$  = Low level output current during load transient
- $I_{OH}$  = High level output current during load transient
- $V_{US}$  = Target output voltage undershoot
- $V_{OS}$  = Target output voltage overshoot

For this design example, the target output ripple is 50 mV. Presuppose  $\Delta V_{OUT\_ESR} = \Delta V_{OUT\_C} = 50$  mV, and chose  $K_{IND} = 0.5$ . Equation 10 yields ESR no larger than 100 mΩ and Equation 11 yields  $C_{OUT}$  no smaller than 1.79 μF. For the target over/undershoot range of this design,  $V_{US} = V_{OS} = 5\% \times V_{OUT} = 250$  mV. The  $C_{OUT}$  can be calculated to be no smaller than 15.4 μF and 4.6 μF by Equation 12 and Equation 13 respectively. In summary, the most stringent criteria for the output capacitor is 47 μF. For this design example, one 47 μF, 16 V, X7R ceramic capacitors with 5 mΩ ESR are used.

### 8.2.2.5 Schottky Diode Selection

The breakdown voltage rating of the diode is preferred to be 25% higher than the maximum input voltage. The current rating for the diode should be equal to the maximum output current for best reliability in most applications. In cases where the input voltage is much greater than the output voltage the average diode current is lower. In this case it is possible to use a diode with a lower average current rating, approximately  $(1-D) \times I_{OUT}$  however the peak current rating should be higher than the maximum load current. A 1 A rated diode is a good starting point.

### 8.2.2.6 Input Capacitor Selection

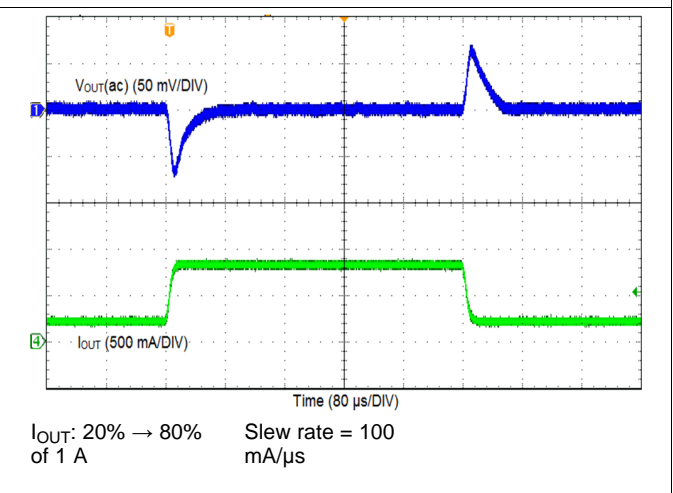
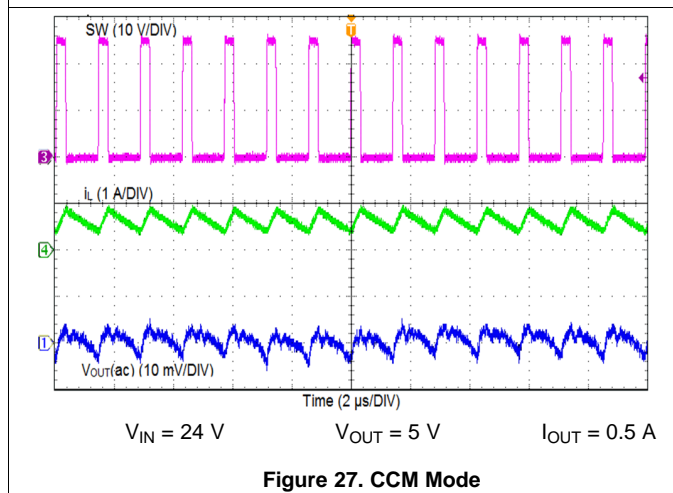
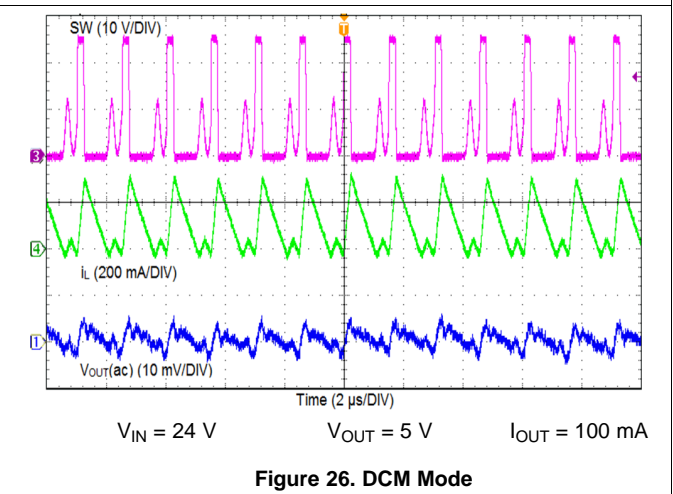
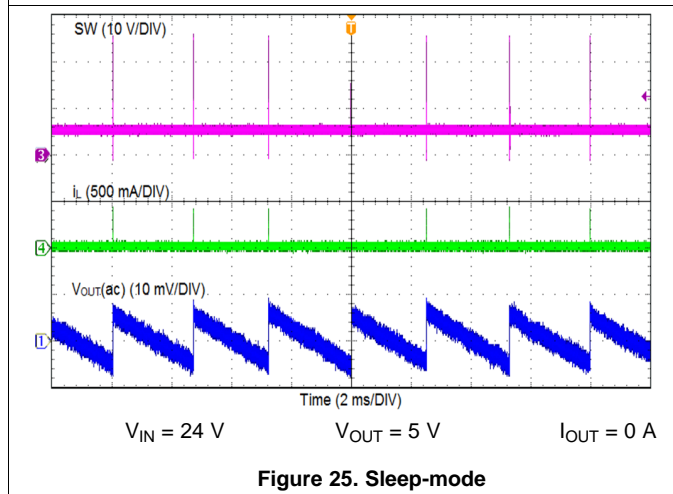
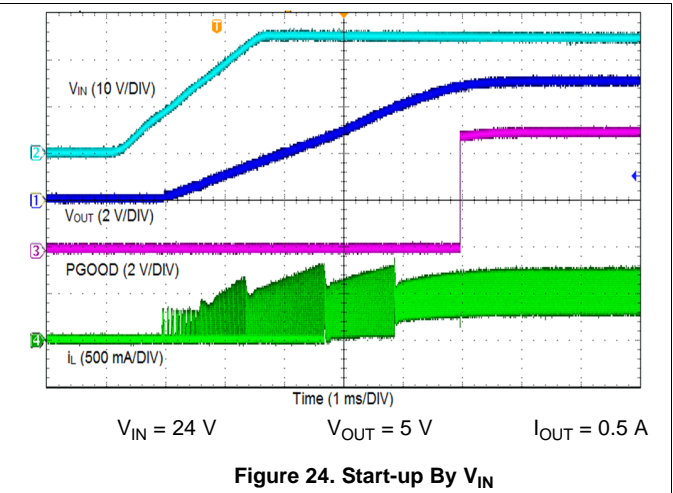
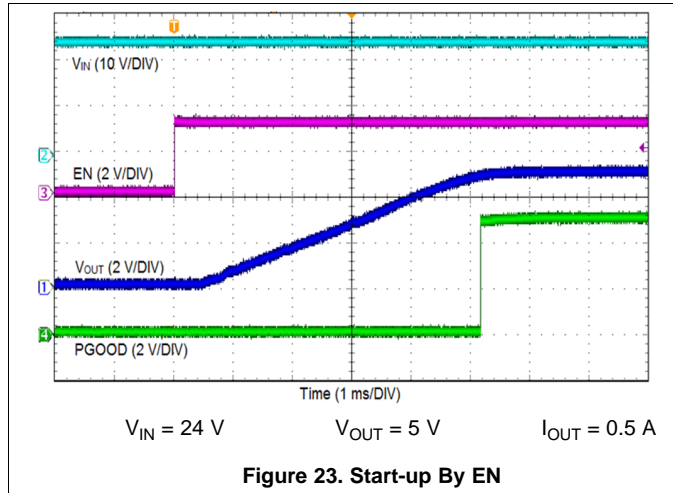
The LMR16010 device requires high frequency input decoupling capacitor(s) and a bulk input capacitor, depending on the application. The typical recommended value for the high frequency decoupling capacitor is 4.7 μF to 10 μF. A high-quality ceramic capacitor type X5R or X7R with sufficiency voltage rating is recommended. To compensate the derating of ceramic capacitors, a voltage rating of twice the maximum input voltage is recommended. Additionally, some bulk capacitance can be required, especially if the LMR16010 circuit is not located within approximately 5 cm from the input voltage source. This capacitor is used to provide damping to the voltage spike due to the lead inductance of the cable or the trace. For this design, two 2.2 μF, X7R ceramic capacitors rated for 100 V are used. A 0.1 μF for high-frequency filtering and place it as close as possible to the device pins.

### 8.2.2.7 Bootstrap Capacitor Selection

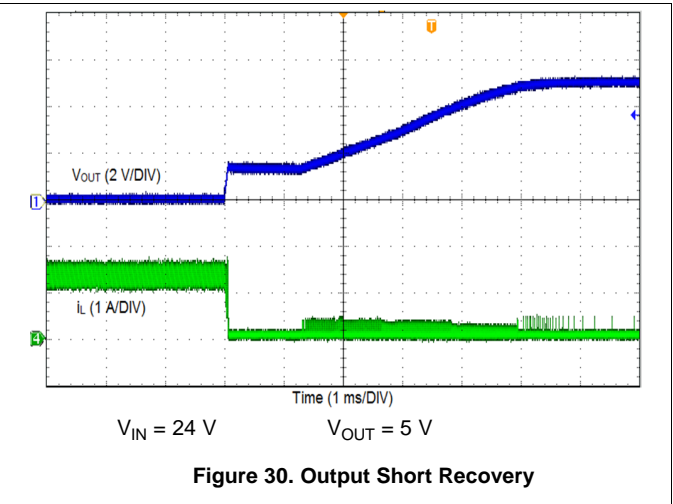
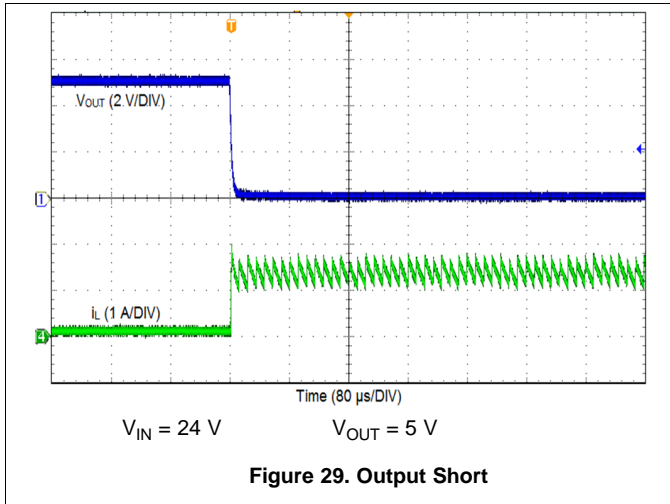
Every LMR16010 design requires a bootstrap capacitor ( $C_{BOOT}$ ). The recommended capacitor is 0.1 μF and rated 16 V or higher. The bootstrap capacitor is located between the SW pin and the BOOT pin. The bootstrap capacitor must be a high-quality ceramic type with an X7R or X5R grade dielectric for temperature stability.

### 8.2.3 Application Curves

Unless otherwise specified the following conditions apply:  $V_{IN} = 24\text{ V}$ ,  $f_{SW} = 700\text{ KHz}$ ,  $L = 15\text{ }\mu\text{H}$ ,  $C_{OUT} = 47\text{ }\mu\text{F}$ ,  $T_A = 25\text{ }^\circ\text{C}$ .



Unless otherwise specified the following conditions apply:  $V_{IN} = 24\text{ V}$ ,  $f_{SW} = 700\text{ KHz}$ ,  $L = 15\text{ }\mu\text{H}$ ,  $C_{OUT} = 47\text{ }\mu\text{F}$ ,  $T_A = 25\text{ }^\circ\text{C}$ .



## 9 Power Supply Recommendations

The LMR16010 is designed to operate from an input voltage supply range between 4.3 V and 60 V. This input supply should be able to withstand the maximum input current and maintain a stable voltage. The resistance of the input supply rail should be low enough that an input current transient does not cause a high enough drop at the LMR16010 supply voltage that can cause a false UVLO fault triggering and system reset. If the input supply is located more than a few inches from the LMR16010, additional bulk capacitance may be required in addition to the ceramic input capacitors. The amount of bulk capacitance is not critical, but a 22  $\mu$ F or 47  $\mu$ F electrolytic capacitor is a typical choice .

## 10 Layout

### 10.1 Layout Guidelines

Layout is a critical portion of good power supply design. The following guidelines will help users design a PCB with the best power conversion performance, thermal performance, and minimized generation of unwanted EMI.

1. The feedback network, resistor  $R_{FBT}$  and  $R_{FBB}$ , should be kept close to the FB pin.  $V_{OUT}$  sense path away from noisy nodes and preferably through a layer on the other side of a shielding layer.
2. The input bypass capacitor  $C_{IN}$  must be placed as close as possible to the VIN pin and ground. Grounding for both the input and output capacitors should consist of localized top side planes that connect to the GND pin and PAD.
3. The inductor L should be placed close to the SW pin to reduce magnetic and electrostatic noise.
4. The output capacitor,  $C_{OUT}$  should be placed close to the junction of L and the diode D. The L, D, and  $C_{OUT}$  trace should be as short as possible to reduce conducted and radiated noise and increase overall efficiency.
5. The ground connection for the diode,  $C_{IN}$ , and  $C_{OUT}$  should be as small as possible and tied to the system ground plane in only one spot (preferably at the  $C_{OUT}$  ground point) to minimize conducted noise in the system ground plane.
6. For more detail on switching power supply layout considerations see [SNVA021](#) Application Note AN-1149.



## 10.2 Layout Example

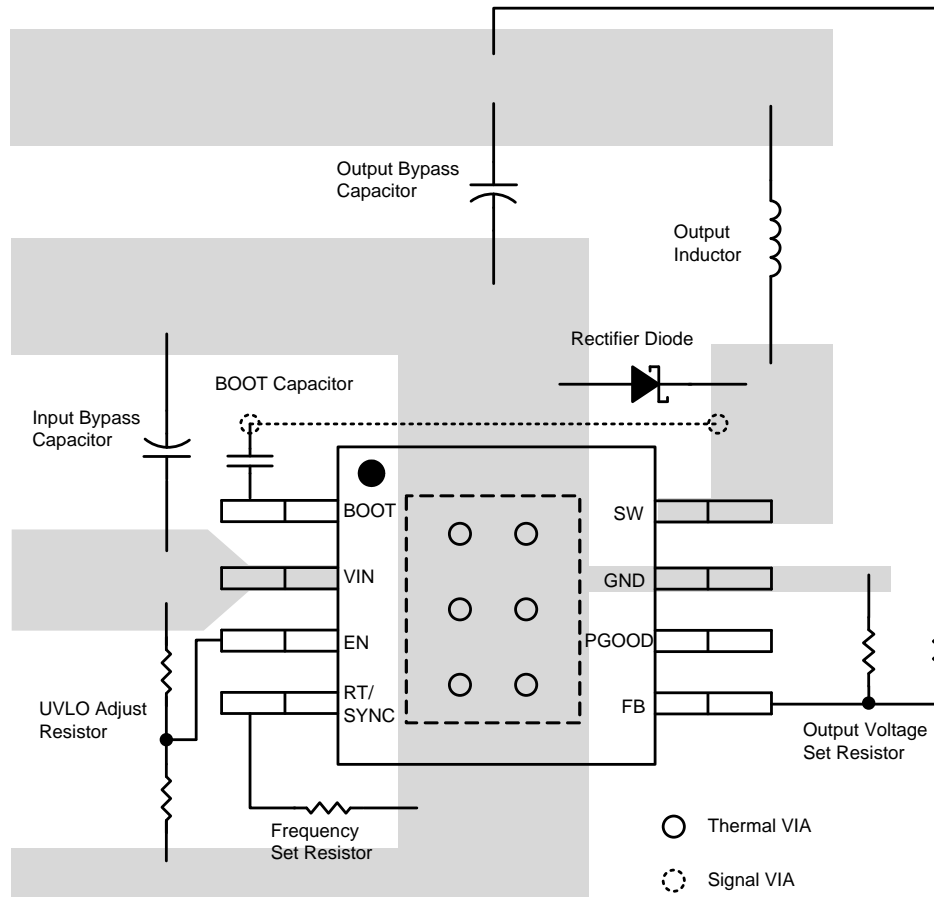


Figure 31. Layout

## 11 器件和文档支持

### 11.1 器件支持

#### 11.1.1 Third-Party Products Disclaimer

TI'S PUBLICATION OF INFORMATION REGARDING THIRD-PARTY PRODUCTS OR SERVICES DOES NOT CONSTITUTE AN ENDORSEMENT REGARDING THE SUITABILITY OF SUCH PRODUCTS OR SERVICES OR A WARRANTY, REPRESENTATION OR ENDORSEMENT OF SUCH PRODUCTS OR SERVICES, EITHER ALONE OR IN COMBINATION WITH ANY TI PRODUCT OR SERVICE.

### 11.2 社区资源

The following links connect to TI community resources. Linked contents are provided "AS IS" by the respective contributors. They do not constitute TI specifications and do not necessarily reflect TI's views; see TI's [Terms of Use](#).

**TI E2E™ Online Community** *TI's Engineer-to-Engineer (E2E) Community*. Created to foster collaboration among engineers. At [e2e.ti.com](http://e2e.ti.com), you can ask questions, share knowledge, explore ideas and help solve problems with fellow engineers.

**Design Support** *TI's Design Support* Quickly find helpful E2E forums along with design support tools and contact information for technical support.

### 11.3 商标

PowerPAD, E2E are trademarks of Texas Instruments.  
SIMPLE SWITCHER is a registered trademark of Texas Instruments.  
All other trademarks are the property of their respective owners.

### 11.4 静电放电警告



这些装置包含有限的内置 ESD 保护。存储或装卸时，应将导线一起截短或将装置放置于导电泡棉中，以防止 MOS 门极遭受静电损伤。

### 11.5 Glossary

**SLYZ022** — *TI Glossary*.

This glossary lists and explains terms, acronyms, and definitions.

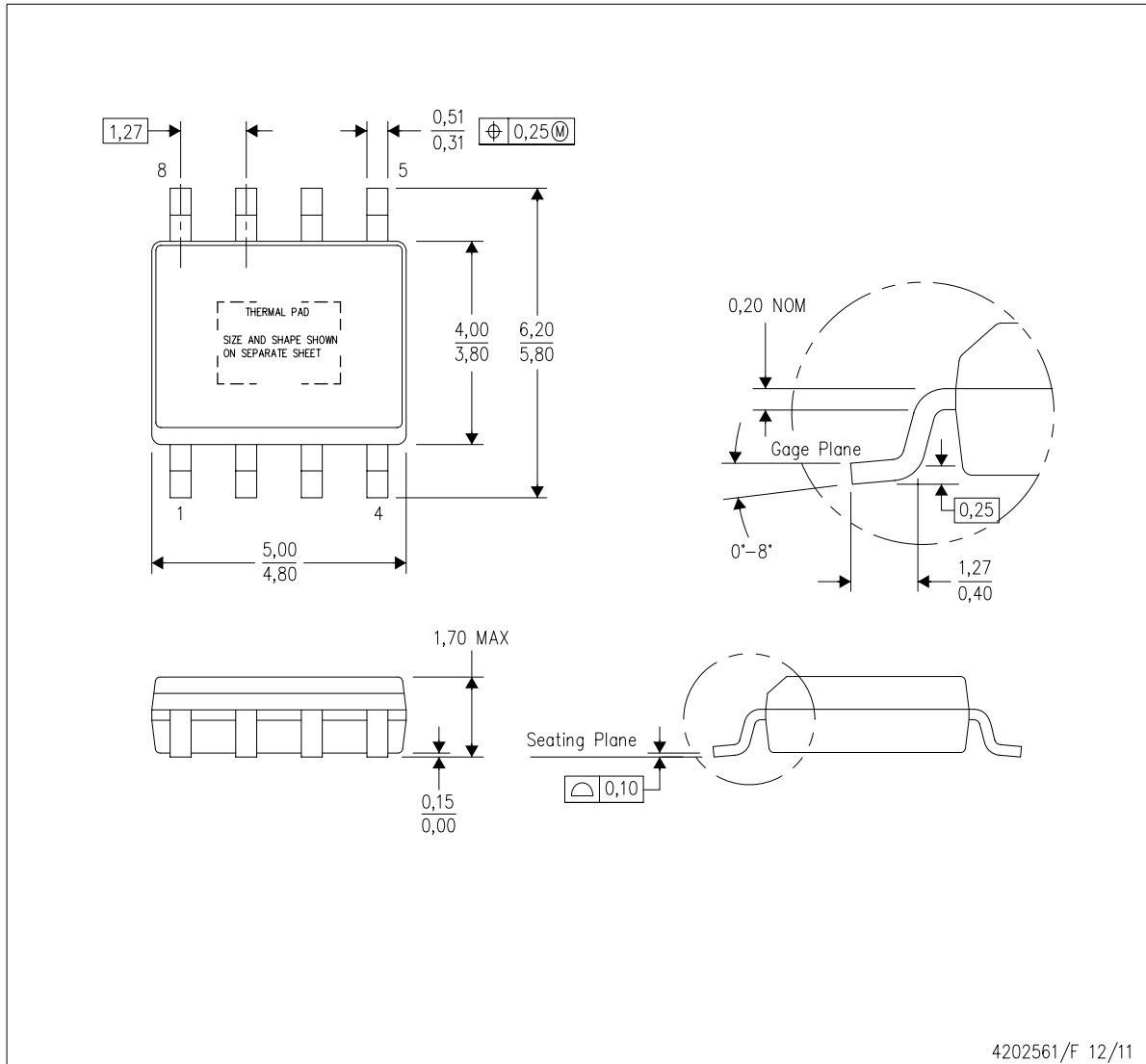
## 12 机械、封装和可订购信息

以下页中包括机械、封装和可订购信息。这些信息是针对指定器件可提供的最新数据。这些数据会在无通知且不对本文档进行修订的情况下发生改变。欲获得该数据表的浏览器版本，请查阅左侧的导航栏

**MECHANICAL DATA**

DDA (R-PDSO-G8)

PowerPAD™ PLASTIC SMALL-OUTLINE



- NOTES:
- All linear dimensions are in millimeters. Dimensioning and tolerancing per ASME Y14.5–1994.
  - This drawing is subject to change without notice.
  - Body dimensions do not include mold flash or protrusion not to exceed 0,15.
  - This package is designed to be soldered to a thermal pad on the board. Refer to Technical Brief, PowerPad Thermally Enhanced Package, Texas Instruments Literature No. SLMA002 for information regarding recommended board layout. This document is available at [www.ti.com](http://www.ti.com) <<http://www.ti.com>>.
  - See the additional figure in the Product Data Sheet for details regarding the exposed thermal pad features and dimensions.
  - This package complies to JEDEC MS-012 variation BA

**PowerPAD is a trademark of Texas Instruments.**

**PACKAGING INFORMATION**

| Orderable Device | Status<br>(1) | Package Type | Package Drawing | Pins | Package Qty | Eco Plan<br>(2) | Lead finish/<br>Ball material<br>(6) | MSL Peak Temp<br>(3) | Op Temp (°C) | Device Marking<br>(4/5) | Samples                 |
|------------------|---------------|--------------|-----------------|------|-------------|-----------------|--------------------------------------|----------------------|--------------|-------------------------|-------------------------|
| LMR16010PDDA     | ACTIVE        | SO PowerPAD  | DDA             | 8    | 75          | RoHS & Green    | NIPDAU   NIPDAUAG                    | Level-2-260C-1 YEAR  | -40 to 125   | SB1P                    | <a href="#">Samples</a> |
| LMR16010PDDAR    | ACTIVE        | SO PowerPAD  | DDA             | 8    | 2500        | RoHS & Green    | NIPDAU   NIPDAUAG                    | Level-2-260C-1 YEAR  | -40 to 125   | SB1P                    | <a href="#">Samples</a> |

(1) The marketing status values are defined as follows:

**ACTIVE:** Product device recommended for new designs.

**LIFEBUY:** TI has announced that the device will be discontinued, and a lifetime-buy period is in effect.

**NRND:** Not recommended for new designs. Device is in production to support existing customers, but TI does not recommend using this part in a new design.

**PREVIEW:** Device has been announced but is not in production. Samples may or may not be available.

**OBSOLETE:** TI has discontinued the production of the device.

(2) **RoHS:** TI defines "RoHS" to mean semiconductor products that are compliant with the current EU RoHS requirements for all 10 RoHS substances, including the requirement that RoHS substance do not exceed 0.1% by weight in homogeneous materials. Where designed to be soldered at high temperatures, "RoHS" products are suitable for use in specified lead-free processes. TI may reference these types of products as "Pb-Free".

**RoHS Exempt:** TI defines "RoHS Exempt" to mean products that contain lead but are compliant with EU RoHS pursuant to a specific EU RoHS exemption.

**Green:** TI defines "Green" to mean the content of Chlorine (Cl) and Bromine (Br) based flame retardants meet JS709B low halogen requirements of <=1000ppm threshold. Antimony trioxide based flame retardants must also meet the <=1000ppm threshold requirement.

(3) MSL, Peak Temp. - The Moisture Sensitivity Level rating according to the JEDEC industry standard classifications, and peak solder temperature.

(4) There may be additional marking, which relates to the logo, the lot trace code information, or the environmental category on the device.

(5) Multiple Device Markings will be inside parentheses. Only one Device Marking contained in parentheses and separated by a "~" will appear on a device. If a line is indented then it is a continuation of the previous line and the two combined represent the entire Device Marking for that device.

(6) Lead finish/Ball material - Orderable Devices may have multiple material finish options. Finish options are separated by a vertical ruled line. Lead finish/Ball material values may wrap to two lines if the finish value exceeds the maximum column width.

**Important Information and Disclaimer:**The information provided on this page represents TI's knowledge and belief as of the date that it is provided. TI bases its knowledge and belief on information provided by third parties, and makes no representation or warranty as to the accuracy of such information. Efforts are underway to better integrate information from third parties. TI has taken and continues to take reasonable steps to provide representative and accurate information but may not have conducted destructive testing or chemical analysis on incoming materials and chemicals. TI and TI suppliers consider certain information to be proprietary, and thus CAS numbers and other limited information may not be available for release.

In no event shall TI's liability arising out of such information exceed the total purchase price of the TI part(s) at issue in this document sold by TI to Customer on an annual basis.



**TUBE**


\*All dimensions are nominal

| Device       | Package Name | Package Type | Pins | SPQ | L (mm) | W (mm) | T (μm) | B (mm) |
|--------------|--------------|--------------|------|-----|--------|--------|--------|--------|
| LMR16010PDDA | DDA          | HSOIC        | 8    | 75  | 517    | 7.87   | 635    | 4.25   |
| LMR16010PDDA | DDA          | HSOIC        | 8    | 75  | 507    | 8      | 3940   | 4.32   |

# DDA0008B



# PACKAGE OUTLINE

PowerPAD™ SOIC - 1.7 mm max height

PLASTIC SMALL OUTLINE



4214849/A 08/2016

PowerPAD is a trademark of Texas Instruments.

**NOTES:**

1. All linear dimensions are in millimeters. Any dimensions in parenthesis are for reference only. Dimensioning and tolerancing per ASME Y14.5M.
2. This drawing is subject to change without notice.
3. This dimension does not include mold flash, protrusions, or gate burrs. Mold flash, protrusions, or gate burrs shall not exceed 0.15 mm per side.
4. This dimension does not include interlead flash. Interlead flash shall not exceed 0.25 mm per side.
5. Reference JEDEC registration MS-012.

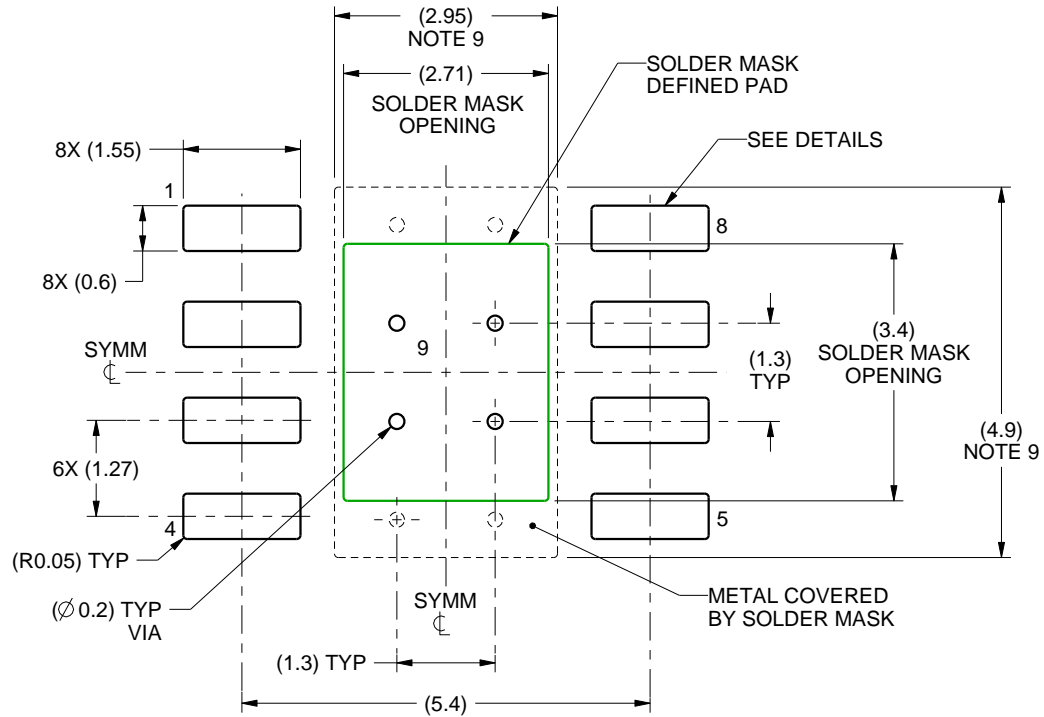


# EXAMPLE BOARD LAYOUT

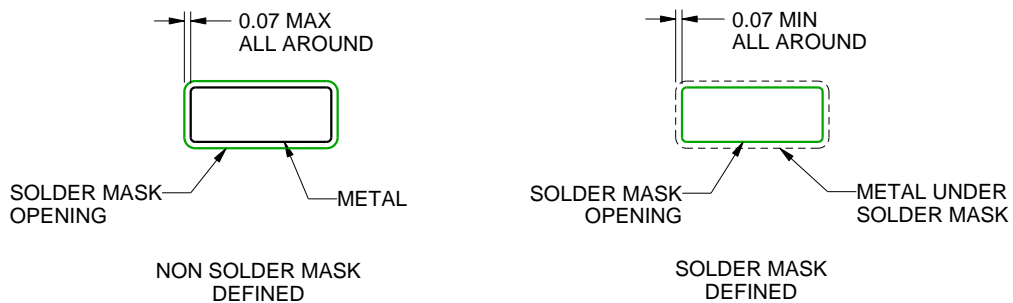
DDA0008B

PowerPAD™ SOIC - 1.7 mm max height

PLASTIC SMALL OUTLINE



LAND PATTERN EXAMPLE  
SCALE:10X



SOLDER MASK DETAILS  
PADS 1-8

4214849/A 08/2016

NOTES: (continued)

6. Publication IPC-7351 may have alternate designs.
7. Solder mask tolerances between and around signal pads can vary based on board fabrication site.
8. This package is designed to be soldered to a thermal pad on the board. For more information, see Texas Instruments literature numbers SLMA002 ([www.ti.com/lit/slma002](http://www.ti.com/lit/slma002)) and SLMA004 ([www.ti.com/lit/slma004](http://www.ti.com/lit/slma004)).
9. Size of metal pad may vary due to creepage requirement.
10. Vias are optional depending on application, refer to device data sheet. If any vias are implemented, refer to their locations shown on this view. It is recommended that vias under paste be filled, plugged or tented.

# EXAMPLE STENCIL DESIGN

DDA0008B

PowerPAD™ SOIC - 1.7 mm max height

PLASTIC SMALL OUTLINE



SOLDER PASTE EXAMPLE  
 EXPOSED PAD  
 100% PRINTED SOLDER COVERAGE BY AREA  
 SCALE:10X

| STENCIL THICKNESS | SOLDER STENCIL OPENING |
|-------------------|------------------------|
| 0.1               | 3.03 X 3.80            |
| 0.125             | 2.71 X 3.40 (SHOWN)    |
| 0.150             | 2.47 X 3.10            |
| 0.175             | 2.29 X 2.87            |

4214849/A 08/2016

NOTES: (continued)

11. Laser cutting apertures with trapezoidal walls and rounded corners may offer better paste release. IPC-7525 may have alternate design recommendations.
12. Board assembly site may have different recommendations for stencil design.

DDA (R-PDSO-G8)

PowerPAD™ PLASTIC SMALL-OUTLINE



4202561/F 12/11

- NOTES:
- A. All linear dimensions are in millimeters. Dimensioning and tolerancing per ASME Y14.5-1994.
  - B. This drawing is subject to change without notice.
  - C. Body dimensions do not include mold flash or protrusion not to exceed 0,15.
  - D. This package is designed to be soldered to a thermal pad on the board. Refer to Technical Brief, PowerPad Thermally Enhanced Package, Texas Instruments Literature No. SLMA002 for information regarding recommended board layout. This document is available at [www.ti.com](http://www.ti.com) <<http://www.ti.com>>.
  - E. See the additional figure in the Product Data Sheet for details regarding the exposed thermal pad features and dimensions.
  - F. This package complies to JEDEC MS-012 variation BA

PowerPAD is a trademark of Texas Instruments.

DDA (R-PDSO-G8)

PowerPAD™ PLASTIC SMALL OUTLINE

## THERMAL INFORMATION

This PowerPAD™ package incorporates an exposed thermal pad that is designed to be attached to a printed circuit board (PCB). The thermal pad must be soldered directly to the PCB. After soldering, the PCB can be used as a heatsink. In addition, through the use of thermal vias, the thermal pad can be attached directly to the appropriate copper plane shown in the electrical schematic for the device, or alternatively, can be attached to a special heatsink structure designed into the PCB. This design optimizes the heat transfer from the integrated circuit (IC).

For additional information on the PowerPAD package and how to take advantage of its heat dissipating abilities, refer to Technical Brief, PowerPAD Thermally Enhanced Package, Texas Instruments Literature No. SLMA002 and Application Brief, PowerPAD Made Easy, Texas Instruments Literature No. SLMA004. Both documents are available at [www.ti.com](http://www.ti.com).

The exposed thermal pad dimensions for this package are shown in the following illustration.



Exposed Thermal Pad Dimensions

4206322-6/L 05/12

NOTE: A. All linear dimensions are in millimeters

PowerPAD is a trademark of Texas Instruments



- NOTES:
- A. All linear dimensions are in millimeters.
  - B. This drawing is subject to change without notice.
  - C. Publication IPC-7351 is recommended for alternate designs.
  - D. This package is designed to be soldered to a thermal pad on the board. Refer to Technical Brief, PowerPad Thermally Enhanced Package, Texas Instruments Literature No. SLMA002, SLMA004, and also the Product Data Sheets for specific thermal information, via requirements, and recommended board layout. These documents are available at [www.ti.com](http://www.ti.com) <<http://www.ti.com>>. Publication IPC-7351 is recommended for alternate designs.
  - E. Laser cutting apertures with trapezoidal walls and also rounding corners will offer better paste release. Customers should contact their board assembly site for stencil design recommendations. Example stencil design based on a 50% volumetric metal load solder paste. Refer to IPC-7525 for other stencil recommendations.
  - F. Customers should contact their board fabrication site for solder mask tolerances between and around signal pads.

PowerPAD is a trademark of Texas Instruments.

## 重要声明和免责声明

TI“按原样”提供技术和可靠性数据（包括数据表）、设计资源（包括参考设计）、应用或其他设计建议、网络工具、安全信息和其他资源，不保证没有瑕疵且不做任何明示或暗示的担保，包括但不限于对适销性、某特定用途方面的适用性或不侵犯任何第三方知识产权的暗示担保。

这些资源可供使用 TI 产品进行设计的熟练开发人员使用。您将自行承担以下全部责任：(1) 针对您的应用选择合适的 TI 产品，(2) 设计、验证并测试您的应用，(3) 确保您的应用满足相应标准以及任何其他功能安全、信息安全、监管或其他要求。

这些资源如有变更，恕不另行通知。TI 授权您仅可将这些资源用于研发本资源所述的 TI 产品的应用。严禁对这些资源进行其他复制或展示。您无权使用任何其他 TI 知识产权或任何第三方知识产权。您应全额赔偿因在这些资源的使用中对 TI 及其代表造成的任何索赔、损害、成本、损失和债务，TI 对此概不负责。

TI 提供的产品受 [TI 的销售条款](#) 或 [ti.com](#) 上其他适用条款/TI 产品随附的其他适用条款的约束。TI 提供这些资源并不会扩展或以其他方式更改 TI 针对 TI 产品发布的适用的担保或担保免责声明。

TI 反对并拒绝您可能提出的任何其他或不同的条款。

邮寄地址：Texas Instruments, Post Office Box 655303, Dallas, Texas 75265

Copyright © 2023，德州仪器 (TI) 公司