

# SN74LVC1T45 1 ビット デュアル電源バス トランシーバ、可変電圧変換設定、3 ステート出力

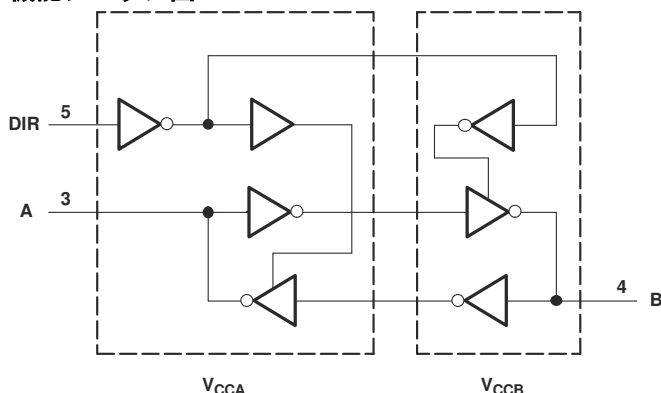
## 1 特長

- JESD 22 を上回る ESD 保護:
  - 2000V、人体モデル (A114-A)
  - 200V、マシン モデル(A115-A)
  - 1000V、デバイス帯電モデル (C101)
- テキサス・インスツルメンツの NanoFree™ パッケージで供給
- 完全に構成可能なデュアル レール設計により、1.65V ~ 5.5V の電源電圧の全範囲にわたって各ポートが動作可能
- V<sub>CC</sub> 絶縁機能:いずれかの V<sub>CC</sub> 入力 が GND レベルになると、両方のポートがハイインピーダンス状態に移行
- V<sub>CCA</sub> を基準とする DIR 入力回路
- 低い消費電力、I<sub>CC</sub> 最大値 4μA
- 3.3V で ±24mA の出力駆動能力
- I<sub>off</sub> により部分的パワーダウン モードでの動作をサポート
- 最大データレート
  - 420Mbps (3.3V から 5V への変換)
  - 210Mbps (3.3V への変換)
  - 140Mbps (2.5V への変換)
  - 75Mbps (1.8V への変換)
- JESD 78、Class II 準拠で 100mA 超のラッチアップ性能

## 2 アプリケーション

- パーソナル・エレクトロニクス
- 産業用
- エンタープライズ
- テレコム

### 機能ブロック図



## 3 概要

この 1 ビット非反転バス トランシーバは、設定可能な 2 本の独立した電源レールを使用します。A ポートは V<sub>CCA</sub> に追従するように設計されています。V<sub>CCA</sub> ピンには、1.65V ~ 5.5V の電源電圧を入力できます。B ポートは、V<sub>CCB</sub> に追従する設計になっています。V<sub>CCB</sub> ピンには、1.65V ~ 5.5V の電源電圧を入力できます。これにより、1.8V、2.5V、3.3V、5V の任意の電圧ノード間での低電圧双方向変換が可能です。

SN74LVC1T45 は、2 つのデータ バス間の非同期通信用に設計されています。方向制御 (DIR) 入力のロジックレベルにより、B ポート出力と A ポート出力のどちらかがアクティブになります。本デバイスは、B ポート出力をアクティブにした場合、A バスから B バスにデータを送信し、A ポート出力をアクティブにした場合、B バスから A バスにデータを送信します。A ポートと B ポートの両方の入力回路は常にアクティブであるため、I<sub>CC</sub> と I<sub>CCB</sub> が過剰に流れないようにロジック High または Low レベルを印加する必要があります。

SN74LVC1T45 は、DIR 入力 が V<sub>CCA</sub> によって給電されるように設計されています。このデバイスは、I<sub>off</sub> を使用する部分的パワーダウン アプリケーション用の動作が完全に規定されています。I<sub>off</sub> 回路で出力をディセーブルすることにより、電源切断時にデバイスに電流が逆流して損傷するのを回避できます。V<sub>CC</sub> 絶縁機能は、いずれかの V<sub>CC</sub> 入力 が GND レベルになると、両方のポートがハイインピーダンス状態になるよう設計されています。

ダイをパッケージとして使用する NanoFree™ パッケージ技術は、IC パッケージの概念を大きく覆すものです。

### パッケージ情報

部品番号	パッケージ (1)	パッケージ サイズ(2)
SN74LVC1T45	DRL (SOT, 6)	1.6mm × 1.6mm
	DBV (SOT-23, 6)	2.9mm × 2.8mm
	DCK (SC70, 6)	2mm × 2.1mm
	DPK (USON, 6)	1.6mm × 1.6mm
	YZP (DSBGA, 6)	1mm × 0.5mm

- 詳細については、[セクション 11](#) を参照してください。
- パッケージ サイズ (長さ × 幅) は公称値であり、該当する場合はピンも含まれます。



## Table of Contents

1 特長.....	1	7.2 Functional Block Diagram.....	13
2 アプリケーション.....	1	7.3 Feature Description.....	13
3 概要.....	1	7.4 Device Functional Modes.....	14
4 Pin Configuration and Functions.....	2	<b>8 Applications and Implementation.....</b>	<b>15</b>
5 Specifications.....	4	8.1 Application Information.....	15
5.1 Absolute Maximum Ratings.....	4	8.2 Typical Application.....	15
5.2 ESD Ratings.....	4	8.3 Power Supply Recommendations.....	17
5.3 Recommended Operating Conditions.....	4	8.4 Layout.....	17
5.4 Thermal Information.....	5	<b>9 Device and Documentation Support.....</b>	<b>19</b>
5.5 Electrical Characteristics.....	6	9.1 Documentation Support.....	19
5.6 Switching Characteristics ( $V_{CCA} = 1.8V \pm 0.15V$ ).....	7	9.2 ドキュメントの更新通知を受け取る方法.....	19
5.7 Switching Characteristics ( $V_{CCA} = 2.5V \pm 0.2V$ ).....	7	9.3 サポート・リソース.....	19
5.8 Switching Characteristics ( $V_{CCA} = 3.3V \pm 0.3V$ ).....	8	9.4 Trademarks.....	19
5.9 Switching Characteristics ( $V_{CCA} = 5V \pm 0.5V$ ).....	8	9.5 静電気放電に関する注意事項.....	19
5.10 Operating Characteristics.....	9	9.6 用語集.....	19
5.11 Typical Characteristics.....	10	<b>10 Revision History.....</b>	<b>19</b>
6 Parameter Measurement Information.....	12	<b>11 Mechanical, Packaging, and Orderable Information.....</b>	<b>20</b>
7 Detailed Description.....	13		
7.1 Overview.....	13		

## 4 Pin Configuration and Functions

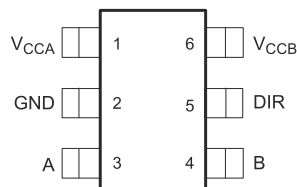


図 4-1. DBV Package, 6-Pin SOT-23 (Top View)

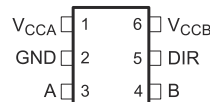


図 4-3. DRL Package, 6-Pin SOT (Top View)

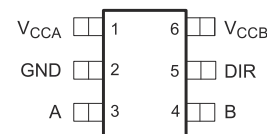


図 4-2. DCK Package, 6-Pin SC70 (Top View)

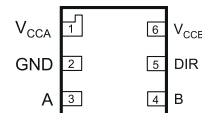
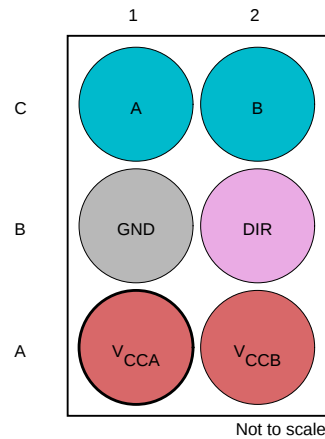


図 4-4. DPK Package, 6-Pin USON (Top View)

表 4-1. Pin Functions

NAME	PIN		DESCRIPTION
	DBV, DCK, DRL, DPK	TYPE <sup>(1)</sup>	
$V_{CCA}$	1	P	SYSTEM-1 supply voltage (1.65V to 5.5V)
GND	2	G	Device GND
A	3	I/O	Output level depends on $V_{CC1}$ voltage.
B	4	I/O	Input threshold value depends on $V_{CC2}$ voltage.
DIR	5	I	GND (low level) determines B-port to A-port direction.
$V_{CCB}$	6	P	SYSTEM-2 supply voltage (1.65V to 5.5V)

(1) P = power, G = ground, I/O = input and output, I = input



☒ 4-5. YZP Package, 6-Pin DSBGA (Bottom View)

Legend	
Power	Input
Input or Output	Ground

表 4-2. Pin Functions

PIN		TYPE <sup>(1)</sup>	DESCRIPTION
NO.	NAME		
A1	V <sub>CCA</sub>	P	SYSTEM-1 supply voltage (1.65V to 5.5V)
A2	V <sub>CCB</sub>	P	SYSTEM-2 supply voltage (1.65V to 5.5V)
B1	GND	G	Device GND
B2	DIR	I	GND (low level) determines B-port to A-port direction.
C1	A	I/O	Output level depends on V <sub>CC1</sub> voltage.
C2	B	I/O	Input threshold value depends on V <sub>CC2</sub> voltage.

(1) P = power, G = ground, I/O = input and output, I = input

## 5 Specifications

### 5.1 Absolute Maximum Ratings

over operating free-air temperature range (unless otherwise noted) <sup>(1)</sup>

			MIN	MAX	UNIT
$V_{CCA}$ $V_{CCB}$	Supply voltage		-0.5	6.5	V
$V_I$	Input voltage <sup>(2)</sup>		-0.5	6.5	V
$V_O$	Voltage range applied to any output in the high-impedance or power-off state <sup>(2)</sup>		-0.5	6.5	V
$V_O$	Voltage range applied to any output in the high or low state <sup>(2)</sup> <sup>(3)</sup>	A port	-0.5	$V_{CCA} + 0.5$	V
		B port	-0.5	$V_{CCB} + 0.5$	
$I_{IK}$	Input clamp current	$V_I < 0$		-50	mA
$I_{OK}$	Output clamp current	$V_O < 0$		-50	mA
$I_O$	Continuous output current			±50	mA
	Continuous current through $V_{CC}$ or GND			±100	mA
$T_J$	Junction temperature			150	°C
$T_{stg}$	Storage temperature		-65	150	°C

(1) Stresses beyond those listed under *Absolute Maximum Ratings* may cause permanent damage to the device. These are stress ratings only, which do not imply functional operation of the device at these or any other conditions beyond those indicated under *Recommended Operating Conditions*. Exposure to absolute-maximum-rated conditions for extended periods may affect device reliability.

(2) The input and output negative-voltage ratings may be exceeded if the input and output clamp-current ratings are observed.

(3) The value of  $V_{CC}$  is provided in the *Recommended Operating Conditions* table.

### 5.2 ESD Ratings

		VALUE	UNIT
$V_{(ESD)}$	Electrostatic discharge	Human-body model (HBM), per ANSI/ESDA/JEDEC JS-001 <sup>(1)</sup>	±2000
		Charged-device model (CDM), per JEDEC specification JESD22-C101 <sup>(2)</sup>	±1000
		Machine Model	±200

(1) JEDEC document JEP155 states that 500V HBM allows safe manufacturing with a standard ESD control process.

(2) JEDEC document JEP157 states that 250V CDM allows safe manufacturing with a standard ESD control process.

### 5.3 Recommended Operating Conditions

See (1) (2) (3)

			$V_{CCI}$	$V_{CCO}$	MIN	MAX	UNIT
$V_{CCA}$ $V_{CCB}$	Supply voltage				1.65	5.5	V
					1.65	5.5	
$V_{IH}$	High-level input voltage	Data inputs <sup>(4)</sup>	1.65 to 1.95V		$V_{CCI} \times 0.65$		V
			2.3 to 2.7V		1.7		
			3 to 3.6V		2		
			4.5 to 5.5V		$V_{CCI} \times 0.7$		
$V_{IL}$	Low-level input voltage	Data inputs <sup>(4)</sup>	1.65 to 1.95V		$V_{CCI} \times 0.35$		V
			2.3 to 2.7V		0.7		
			3 to 3.6V		0.8		
			4.5 to 5.5V		$V_{CCI} \times 0.3$		
$V_{IH}$	High-level input voltage	DIR (referenced to $V_{CCA}$ ) <sup>(5)</sup>	1.65 to 1.95V		$V_{CCA} \times 0.65$		V
			2.3 to 2.7V		1.7		
			3 to 3.6V		2		
			4.5 to 5.5V		$V_{CCA} \times 0.7$		

### 5.3 Recommended Operating Conditions (続き)

See (1) (2) (3)

			V <sub>CCI</sub>	V <sub>CCO</sub>	MIN	MAX	UNIT
V <sub>IL</sub>	Low-level input voltage	DIR (referenced to V <sub>CCA</sub> ) <sup>(5)</sup>	1.65 to 1.95V		V <sub>CCA</sub> × 0.35		V
			2.3 to 2.7V		0.7		
			3 to 3.6V		0.8		
			4.5 to 5.5V		V <sub>CCA</sub> × 0.3		
V <sub>I</sub>	Input voltage			0	5.5	V	
V <sub>O</sub>	Output voltage			0	V <sub>CCO</sub>	V	
I <sub>OH</sub>	High-level output current		1.65 to 1.95V		-4		mA
			2.3 to 2.7V		-8		
			3 to 3.6V		-24		
			4.5 to 5.5V		-32		
I <sub>OL</sub>	Low-level output current		1.65 to 1.95V		4		mA
			2.3 to 2.7V		8		
			3 to 3.6V		24		
			4.5 to 5.5V		32		
Δt/Δv	Input transition rise or fall rate	Data inputs	1.65 to 1.95V		20		ns/V
			2.3 to 2.7V		20		
			3 to 3.6V		10		
			4.5 to 5.5V		5		
		Control inputs	1.65 to 5.5V		5		
T <sub>A</sub>	Operating free-air temperature			-40	85	°C	

- (1) V<sub>CCI</sub> is the V<sub>CC</sub> associated with the input port.
- (2) V<sub>CCO</sub> is the V<sub>CC</sub> associated with the output port.
- (3) All unused data inputs of the device must be held at V<sub>CCI</sub> or GND to ensure proper device operation. See the TI application report, [Implications of Slow or Floating CMOS Inputs](#), SCBA004.
- (4) For V<sub>CCI</sub> values not specified in the data sheet, V<sub>IH</sub> min = V<sub>CCI</sub> × 0.7V, V<sub>IL</sub> max = V<sub>CCI</sub> × 0.3V.
- (5) For V<sub>CCI</sub> values not specified in the data sheet, V<sub>IH</sub> min = V<sub>CCA</sub> × 0.7V, V<sub>IL</sub> max = V<sub>CCA</sub> × 0.3V.

### 5.4 Thermal Information

THERMAL METRIC <sup>(1)</sup>		SN74LVC1T45					UNIT
		DBV (SOT-23)	DCK (SC70)	DPK (USON)	DRL (SOT)	YZP (DSBGA)	
		6 PINS					
R <sub>θJA</sub>	Junction-to-ambient thermal resistance	215.1	210.9	278.3	223.7	131.0	°C/W
R <sub>θJC(top)</sub>	Junction-to-case (top) thermal resistance	136.5	139.2	133.4	88.7	1.3	°C/W
R <sub>θJB</sub>	Junction-to-board thermal resistance	96.6	72	174.1	58.4	22.6	°C/W
ψ <sub>JT</sub>	Junction-to-top characterization parameter	71.5	54.9	23.4	5.9	5.2	°C/W
ψ <sub>JB</sub>	Junction-to-board characterization parameter	96.3	71.7	173.5	58.1	22.6	°C/W

- (1) For more information about traditional and new thermal metrics, see the [Semiconductor and IC Package Thermal Metrics](#) application report.

## 5.5 Electrical Characteristics

over recommended operating free-air temperature range,  $T_A = -40$  to  $+85^\circ\text{C}$  (unless otherwise noted)<sup>(1) (2)</sup>

PARAMETER		TEST CONDITIONS	$V_{CCA}$	$V_{CCB}$	MIN	TYP	MAX	UNIT
$V_{OH}$		$V_I = V_{IH}$	$I_{OH} = -100\mu\text{A}$	1.65 to 4.5V	1.65 to 4.5V	$V_{CCO} - 0.1$		V
			$I_{OH} = -4\text{mA}$	1.65V	1.65V	1.2		
			$I_{OH} = -8\text{mA}$	2.3V	2.3V	1.9		
			$I_{OH} = -24\text{mA}$	3V	3V	2.4		
			$I_{OH} = -32\text{mA}$	4.5V	4.5V	3.8		
$V_{OL}$		$V_I = V_{IL}$	$I_{OL} = 100\mu\text{A}$	1.65 to 4.5V	1.65 to 4.5V	0.1		V
			$I_{OL} = 4\text{mA}$	1.65V	1.65V	0.45		
			$I_{OL} = 8\text{mA}$	2.3V	2.3V	0.3		
			$I_{OL} = 24\text{mA}$	3V	3V	0.55		
			$I_{OL} = 32\text{mA}$	4.5V	4.5V	0.55		
$I_I$	DIR	$V_I = V_{CCA}$ or GND	1.65 to 5.5V	1.65 to 5.5V	$T_A = 25^\circ\text{C}$		$\pm 1$	$\mu\text{A}$
					$T_A = -40$ to $+85^\circ\text{C}$		$\pm 2$	
$I_{off}$	A port	$V_I$ or $V_O = 0$ to 5.5V	0V	0 to 5.5V	$T_A = 25^\circ\text{C}$		$\pm 1$	$\mu\text{A}$
					$T_A = -40$ to $+85^\circ\text{C}$		$\pm 2$	
	B port		$T_A = 25^\circ\text{C}$		$\pm 1$			
			$T_A = -40$ to $+85^\circ\text{C}$		$\pm 2$			
$I_{OZ}$	A or B port	$V_O = V_{CCO}$ or GND	1.65 to 5.5V	1.65 to 5.5V	$T_A = 25^\circ\text{C}$		$\pm 1$	$\mu\text{A}$
					$T_A = -40$ to $+85^\circ\text{C}$		$\pm 2$	
$I_{CCA}$		$V_I = V_{CCI}$ or GND, $I_O = 0$	1.65 to 5.5V	1.65 to 5.5V			3	$\mu\text{A}$
			5.5V	0V			2	
			0V	5.5V			-2	
$I_{CCB}$		$V_I = V_{CCI}$ or GND, $I_O = 0$	1.65 to 5.5V	1.65 to 5.5V			3	$\mu\text{A}$
			5.5V	0V			-2	
			0V	5.5V			2	
$I_{CCA} + I_{CCB}$ (see 表 7-1)		$V_I = V_{CCI}$ or GND, $I_O = 0$	1.65 to 5.5V	1.65 to 5.5V			4	$\mu\text{A}$
$\Delta I_{CCA}$	A port	A port at $V_{CCA} - 0.6\text{V}$ , DIR at $V_{CCA}$ , B port = open	3 to 5.5V	3 to 5.5V			50	$\mu\text{A}$
	DIR	DIR at $V_{CCA} - 0.6\text{V}$ , B port = open, A port at $V_{CCA}$ or GND					50	
$\Delta I_{CCB}$	B port	B port at $V_{CCB} - 0.6\text{V}$ , DIR at GND, A port = open	3 to 5.5V	3 to 5.5V			50	$\mu\text{A}$
$C_i$	DIR	$V_I = V_{CCA}$ or GND	3.3V	3.3V	$T_A = 25^\circ\text{C}$		2.5	pF
$C_{io}$	A or B port	$V_O = V_{CCA/B}$ or GND	3.3V	3.3V	$T_A = 25^\circ\text{C}$		6	pF

(1)  $V_{CCO}$  is the  $V_{CC}$  associated with the output port.

(2)  $V_{CCI}$  is the  $V_{CC}$  associated with the input port.

## 5.6 Switching Characteristics ( $V_{CCA} = 1.8V \pm 0.15V$ )

over recommended operating free-air temperature range,  $V_{CCA} = 1.8V \pm 0.15V$  (see [Figure 6-1](#))

PARAMETER	FROM (INPUT)	TO (OUTPUT)	$V_{CCB} = 1.8V \pm 0.15V$		$V_{CCB} = 2.5V \pm 0.2V$		$V_{CCB} = 3.3V \pm 0.3V$		$V_{CCB} = 5V \pm 0.5V$		UNIT
			MIN	MAX	MIN	MAX	MIN	MAX	MIN	MAX	
$t_{PLH}$	A	B	3	17.7	2.2	10.3	1.7	8.3	1.4	7.2	ns
$t_{PHL}$			2.8	14.3	2.2	8.5	1.8	7.1	1.7	7	
$t_{PLH}$	B	A	3	17.7	2.3	16	2.1	15.5	1.9	15.1	ns
$t_{PHL}$			2.8	14.3	2.1	12.9	2	12.6	1.8	12.2	
$t_{PHZ}$	DIR	A	5.2	19.4	4.8	18.5	4.7	18.4	5.1	17.1	ns
$t_{PLZ}$			2.3	10.5	2.1	10.5	2.4	10.7	3.1	10.9	
$t_{PHZ}$	DIR	B	5.2	21.9	4.9	11.5	4.6	10.3	2.8	8.2	ns
$t_{PLZ}$			4.2	16	3.7	9.2	3.3	8.4	2.4	6.4	
$t_{PZH}^{(1)}$	DIR	A		33.7		25.2		23.9		21.5	ns
$t_{PZL}^{(1)}$				36.2		24.4		22.9		20.4	
$t_{PZH}^{(1)}$	DIR	B		28.2		20.8		19		18.1	ns
$t_{PZL}^{(1)}$				33.7		27		25.5		24.1	

(1) The enable time is a calculated value, derived using the formula shown in the [Enable Times](#) section.

## 5.7 Switching Characteristics ( $V_{CCA} = 2.5V \pm 0.2V$ )

over recommended operating free-air temperature range,  $V_{CCA} = 2.5V \pm 0.2V$  (see [Figure 6-1](#))

PARAMETER	FROM (INPUT)	TO (OUTPUT)	$V_{CCB} = 1.8V \pm 0.15V$		$V_{CCB} = 2.5V \pm 0.2V$		$V_{CCB} = 3.3V \pm 0.3V$		$V_{CCB} = 5V \pm 0.5V$		UNIT
			MIN	MAX	MIN	MAX	MIN	MAX	MIN	MAX	
$t_{PLH}$	A	B	2.3	16	1.5	8.5	1.3	6.4	1.1	5.1	ns
$t_{PHL}$			2.1	12.9	1.4	7.5	1.3	5.4	0.9	4.6	
$t_{PLH}$	B	A	2.2	10.3	1.5	8.5	1.4	8	1	7.5	ns
$t_{PHL}$			2.2	8.5	1.4	7.5	1.3	7	0.9	6.2	
$t_{PHZ}$	DIR	A	3	8.1	3.1	8.1	2.8	8.1	3.2	8.1	ns
$t_{PLZ}$			1.3	5.9	1.3	5.9	1.3	5.9	1	5.8	
$t_{PHZ}$	DIR	B	5.2	23.7	4.1	11.4	3.9	10.2	2.4	7.1	ns
$t_{PLZ}$			3.9	18.9	3.2	9.6	2.8	8.4	1.8	5.3	
$t_{PZH}^{(1)}$	DIR	A		29.2		18.1		16.4		12.8	ns
$t_{PZL}^{(1)}$				32.2		18.9		17.2		13.3	
$t_{PZH}^{(1)}$	DIR	B		21.9		14.4		12.3		10.9	ns
$t_{PZL}^{(1)}$				21		15.6		13.5		12.7	

(1) The enable time is a calculated value, derived using the formula shown in the [Enable Times](#) section.

## 5.8 Switching Characteristics ( $V_{CCA} = 3.3V \pm 0.3V$ )

over recommended operating free-air temperature range,  $V_{CCA} = 3.3V \pm 0.3V$  (see [6-1](#))

PARAMETER	FROM (INPUT)	TO (OUTPUT)	$V_{CCB} = 1.8V \pm 0.15V$		$V_{CCB} = 2.5V \pm 0.2V$		$V_{CCB} = 3.3V \pm 0.3V$		$V_{CCB} = 5V \pm 0.5V$		UNIT
			MIN	MAX	MIN	MAX	MIN	MAX	MIN	MAX	
$t_{PLH}$	A	B	2.1	15.5	1.4	8	0.7	5.8	0.7	4.4	ns
$t_{PHL}$			2	12.6	1.3	7	0.8	5	0.7	4	
$t_{PLH}$	B	A	1.7	8.3	1.3	6.4	0.7	5.8	0.6	5.4	ns
$t_{PHL}$			1.8	7.1	1.3	5.4	0.8	5	0.7	4.5	
$t_{PHZ}$	DIR	A	2.9	7.3	3	7.3	2.8	7.3	3.4	7.3	ns
$t_{PLZ}$			1.8	5.6	1.6	5.6	2.2	5.7	2.2	5.7	
$t_{PHZ}$	DIR	B	5.4	20.5	3.9	10.1	2.9	8.8	2.4	6.8	ns
$t_{PLZ}$			3.3	14.5	2.9	7.8	2.4	7.1	1.7	4.9	
$t_{PZH}^{(1)}$	DIR	A		22.8		14.2		12.9		10.3	ns
$t_{PZL}^{(1)}$				27.6		15.5		13.8		11.3	
$t_{PZH}^{(1)}$	DIR	B		21.1		13.6		11.5		10.1	ns
$t_{PZL}^{(1)}$				19.9		14.3		12.3		11.3	

(1) The enable time is a calculated value, derived using the formula shown in the [Enable Times](#) section.

## 5.9 Switching Characteristics ( $V_{CCA} = 5V \pm 0.5V$ )

over recommended operating free-air temperature range,  $V_{CCA} = 5V \pm 0.5V$  (see [6-1](#))

PARAMETER	FROM (INPUT)	TO (OUTPUT)	$V_{CCB} = 1.8V \pm 0.15V$		$V_{CCB} = 2.5V \pm 0.2V$		$V_{CCB} = 3.3V \pm 0.3V$		$V_{CCB} = 5V \pm 0.5V$		UNIT
			MIN	MAX	MIN	MAX	MIN	MAX	MIN	MAX	
$t_{PLH}$	A	B	1.9	15.1	1	7.5	0.6	5.4	0.5	3.9	ns
$t_{PHL}$			1.8	12.2	0.9	6.2	0.7	4.5	0.5	3.5	
$t_{PLH}$	B	A	1.4	7.2	1	5.1	0.7	4.4	0.5	3.9	ns
$t_{PHL}$			1.7	7	0.9	4.6	0.7	4	0.5	3.5	
$t_{PHZ}$	DIR	A	2.1	5.4	2.2	5.4	2.2	5.5	2.2	5.4	ns
$t_{PLZ}$			0.9	3.8	1	3.8	0.7	3.7	0.7	3.7	
$t_{PHZ}$	DIR	B	4.8	20.2	2.5	9.8	1	8.5	2.5	6.5	ns
$t_{PLZ}$			3.2	14.8	2.5	7.4	2.5	7	1.6	4.5	
$t_{PZH}^{(1)}$	DIR	A		22		12.5		11.4		8.4	ns
$t_{PZL}^{(1)}$				27.2		14.4		12.5		10	
$t_{PZH}^{(1)}$	DIR	B		18.9		11.3		9.1		7.6	ns
$t_{PZL}^{(1)}$				17.6		11.6		10		8.6	

(1) The enable time is a calculated value, derived using the formula shown in the [Enable Times](#) section.



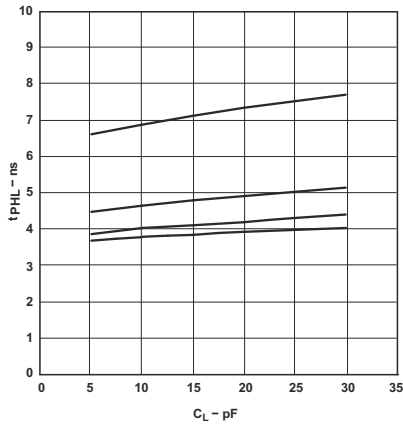
## 5.10 Operating Characteristics

$T_A = 25^\circ\text{C}$

PARAMETER		TEST CONDITIONS	$V_{CCA} =$ $V_{CCB} = 1.8\text{V}$	$V_{CCA} =$ $V_{CCB} = 2.5\text{V}$	$V_{CCA} =$ $V_{CCB} = 3.3\text{V}$	$V_{CCA} =$ $V_{CCB} = 5\text{V}$	UNIT
			TYP	TYP	TYP	TYP	
$C_{pdA}$ <sup>(1)</sup>	A-port input, B-port output	$C_L = 0\text{ pF}$ , $f = 10\text{ MHz}$ , $t_r = t_f = 1\text{ ns}$	3	4	4	4	pF
	B-port input, A-port output		18	19	20	21	
$C_{pdB}$ <sup>(1)</sup>	A-port input, B-port output	$C_L = 0\text{ pF}$ , $f = 10\text{ MHz}$ , $t_r = t_f = 1\text{ ns}$	18	19	20	21	pF
	B-port input, A-port output		3	4	4	4	

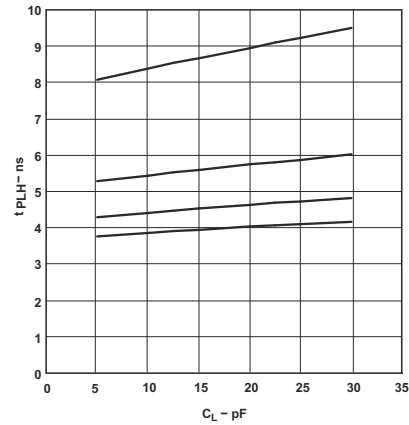
(1) Power dissipation capacitance per transceiver

### 5.11 Typical Characteristics



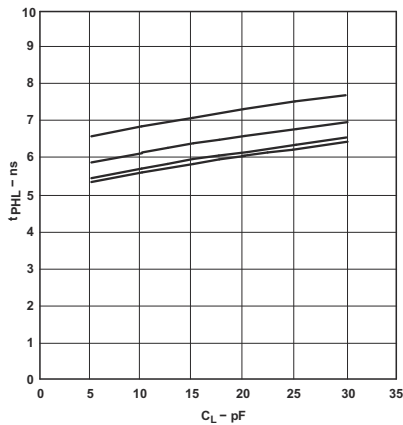
$T_A = 25^\circ\text{C}, V_{CCA} = 1.8\text{V}$

図 5-1. Typical Propagation Delay (A to B) vs Load Capacitance



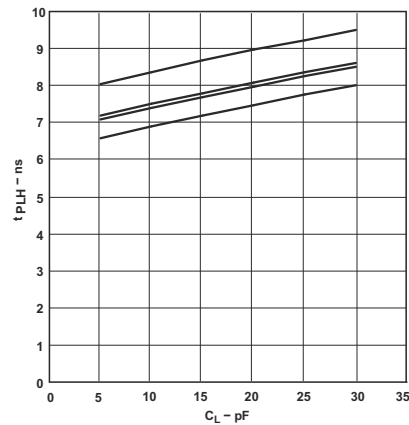
$T_A = 25^\circ\text{C}, V_{CCA} = 1.8\text{V}$

図 5-2. Typical Propagation Delay (B to A) vs Load Capacitance



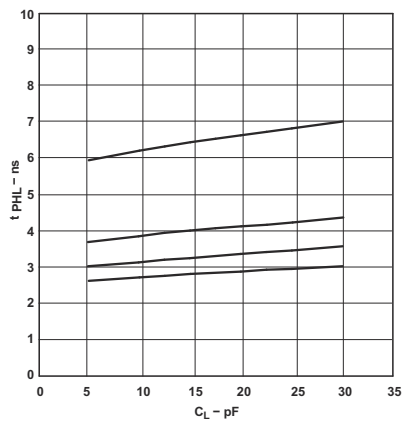
$T_A = 25^\circ\text{C}, V_{CCA} = 2.5\text{V}$

図 5-3. Typical Propagation Delay (A to B) vs Load Capacitance



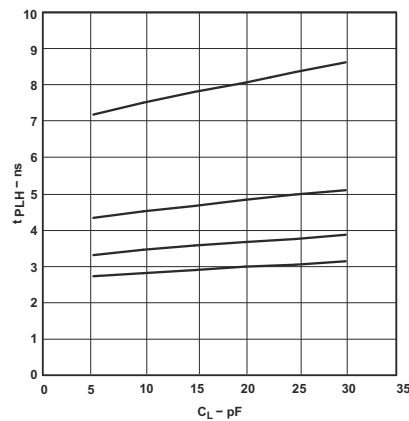
$T_A = 25^\circ\text{C}, V_{CCA} = 2.5\text{V}$

図 5-4. Typical Propagation Delay (B to A) vs Load Capacitance



$T_A = 25^\circ\text{C}, V_{CCA} = 3.3\text{V}$

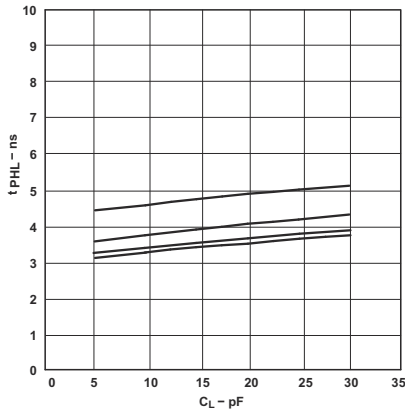
図 5-5. Typical Propagation Delay (A to B) vs Load Capacitance



$T_A = 25^\circ\text{C}, V_{CCA} = 3.3\text{V}$

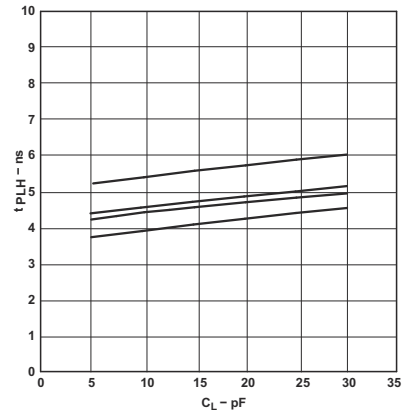
図 5-6. Typical Propagation Delay (B to A) vs Load Capacitance

### 5.11 Typical Characteristics (continued)



$T_A = 25^\circ\text{C}$ ,  $V_{CCA} = 5\text{V}$

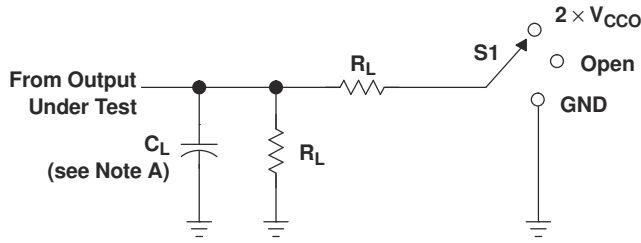
图 5-7. Typical Propagation Delay (A to B) vs Load Capacitance



$T_A = 25^\circ\text{C}$ ,  $V_{CCA} = 5\text{V}$

图 5-8. Typical Propagation Delay (B to A) vs Load Capacitance

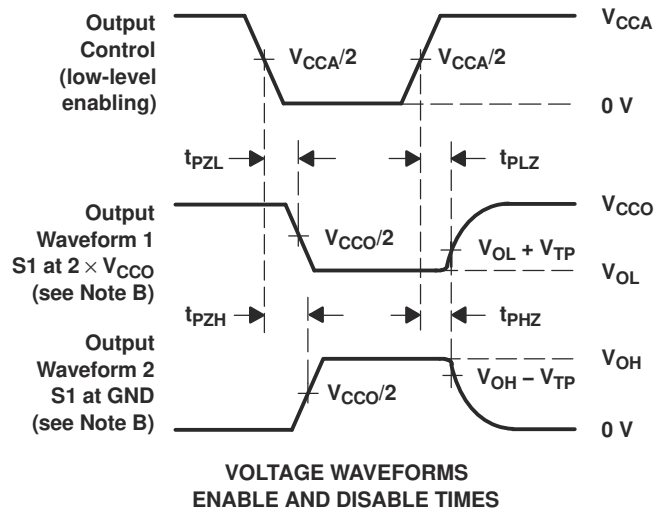
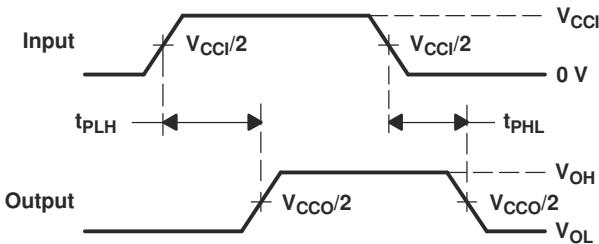
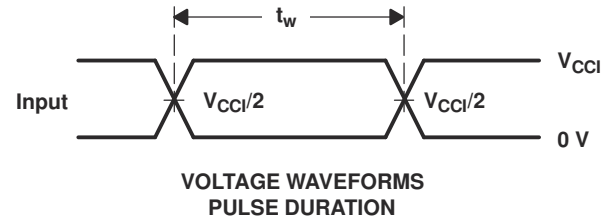
## 6 Parameter Measurement Information



LOAD CIRCUIT

TEST	S1
$t_{pd}$	Open
$t_{PLZ}/t_{PZL}$	$2 \times V_{CCO}$
$t_{PHZ}/t_{PZH}$	GND

$V_{CCO}$	$C_L$	$R_L$	$V_{TP}$
$1.8 \text{ V} \pm 0.15 \text{ V}$	15 pF	2 k $\Omega$	0.15 V
$2.5 \text{ V} \pm 0.2 \text{ V}$	15 pF	2 k $\Omega$	0.15 V
$3.3 \text{ V} \pm 0.3 \text{ V}$	15 pF	2 k $\Omega$	0.3 V
$5 \text{ V} \pm 0.5 \text{ V}$	15 pF	2 k $\Omega$	0.3 V



- NOTES:
- A.  $C_L$  includes probe and jig capacitance.
  - B. Waveform 1 is for an output with internal conditions such that the output is low, except when disabled by the output control. Waveform 2 is for an output with internal conditions such that the output is high, except when disabled by the output control.
  - C. All input pulses are supplied by generators having the following characteristics:  $PRR \leq 10 \text{ MHz}$ ,  $Z_O = 50 \Omega$ ,  $dv/dt \geq 1 \text{ V/ns}$ .
  - D. The outputs are measured one at a time, with one transition per measurement.
  - E.  $t_{PLZ}$  and  $t_{PHZ}$  are the same as  $t_{dis}$ .
  - F.  $t_{PZL}$  and  $t_{PZH}$  are the same as  $t_{en}$ .
  - G.  $t_{PLH}$  and  $t_{PHL}$  are the same as  $t_{pd}$ .
  - H.  $V_{CCI}$  is the  $V_{CC}$  associated with the input port.
  - I.  $V_{CCO}$  is the  $V_{CC}$  associated with the output port.
  - J. All parameters and waveforms are not applicable to all devices.

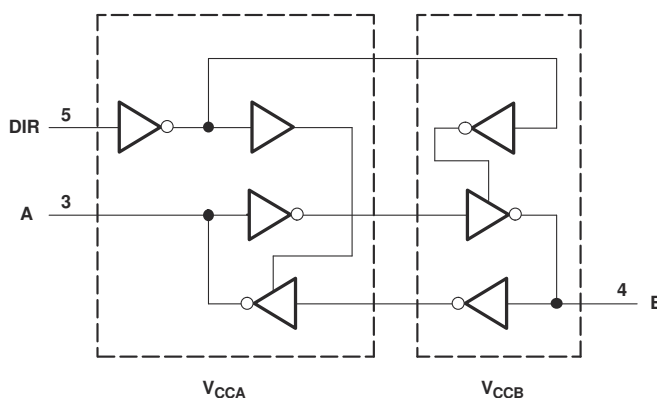
图 6-1. Load Circuit and Voltage Waveforms

## 7 Detailed Description

### 7.1 Overview

The SN74LVC1T45 is a single-bit, dual-supply, noninverting voltage level transceiver. Pin A and the direction control pin (DIR) are supported by  $V_{CCA}$  and pin B is supported by  $V_{CCB}$ . The A port is able to accept I/O voltages ranging from 1.65V to 5.5V, while the B port can accept I/O voltages from 1.65V to 5.5V. The high on the DIR allows data transmissions from A to B and a low on the DIR allows data transmissions from B to A.

### 7.2 Functional Block Diagram



7-1. Logic Diagram (Positive Logic)

### 7.3 Feature Description

#### 7.3.1 Fully Configurable Dual-Rail Design Allows Each Port to Operate Over the Full 1.65V to 5.5V Power-Supply Range

Both  $V_{CCA}$  and  $V_{CCB}$  can be supplied at any voltage between 1.65V and 5.5V, making the device suitable for translating between any of the voltage nodes (1.8V, 2.5V, 3.3V, and 5V).

#### 7.3.2 Support High Speed Translation

The SN74LVC1T45 device supports high data rate applications. The translated signal data rate can be up to 420Mbps when the signal is translated from 3.3V to 5V.

#### 7.3.3 $I_{off}$ Supports Partial Power-Down Mode Operation

The inputs and outputs for this device enter a high-impedance state when the device is powered down, inhibiting current backflow into the device. The maximum leakage into or out of any input or output pin on the device is specified by  $I_{off}$  in the [Electrical Characteristics](#).

#### 7.3.4 Balanced High-Drive CMOS Push-Pull Outputs

A balanced output allows the device to sink and source similar currents. The high drive capability of this device creates fast edges into light loads so impedance matching and load conditions should be considered to prevent ringing. Additionally, the outputs of this device are capable of driving larger currents than the device can sustain without being damaged. Two outputs can be connected together for a stronger output drive strength. The electrical and thermal limits defined in the [Absolute Maximum Ratings](#) must be followed at all times.

#### 7.3.5 Glitch-Free Power Supply Sequencing

Either supply rail may be powered on or off in any order without producing a glitch on the I/Os (that is, where the output erroneously transitions to VCC when it should be held low or vice versa). Glitches of this nature can be misinterpreted by a peripheral as a valid data bit, which could trigger a false device reset of the peripheral, a false device configuration of the peripheral, or even a false data initialization by the peripheral.

### 7.3.6 $V_{CC}$ Isolation

The I/Os of both ports will enter a high-impedance state when either of the supplies are at GND, while the other supply is still connected to the device. The maximum leakage into or out of any input or output pin on the device is specified by  $I_{off}$  in the *Electrical Characteristics*.

## 7.4 Device Functional Modes

表 7-1. Function Table <sup>(1)</sup>

INPUT DIR	OPERATION
L	B data to A bus
H	A data to B bus

(1) Input circuits of the data I/Os always are active.

## 8 Applications and Implementation

### 注

以下のアプリケーション情報は、TI の製品仕様に含まれるものではなく、TI ではその正確性または完全性を保証いたしません。個々の目的に対する製品の適合性については、お客様の責任で判断していただくこととなります。お客様は自身の設計実装を検証しテストすることで、システムの機能を確認する必要があります。

### 8.1 Application Information

The SN74LVC1T45 device can be used in level-translation applications for interfacing devices or systems operating at different interface voltages with one another. The maximum data rate can be up to 420Mbps when device translates signals from 3.3V to 5V.

### 8.2 Typical Application

#### 8.2.1 Unidirectional Logic Level-Shifting Application

図 8-1 shows an example of the SN74LVC1T45 being used in a unidirectional logic level-shifting application.

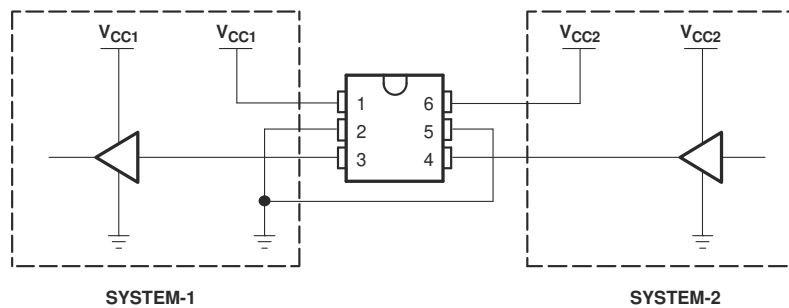


図 8-1. Unidirectional Logic Level-Shifting Application

#### 8.2.1.1 Design Requirements

For this design example, use the parameters listed in 表 8-1.

表 8-1. Design Parameters

DESIGN PARAMETER	EXAMPLE VALUE
Input voltage range	1.65V to 5.5V
Output voltage range	1.65V to 5.5V

#### 8.2.1.2 Detailed Design Procedure

To begin the design process, determine the following:

- Input voltage range
  - Use the supply voltage of the device that is driving the SN74LVC1T45 device to determine the input voltage range. For a valid logic high the value must exceed the  $V_{IH}$  of the input port. For a valid logic low the value must be less than the  $V_{IL}$  of the input port.
- Output voltage range
  - Use the supply voltage of the device that the SN74LVC1T45 device is driving to determine the output voltage range.

8.2.1.3 Application Curve

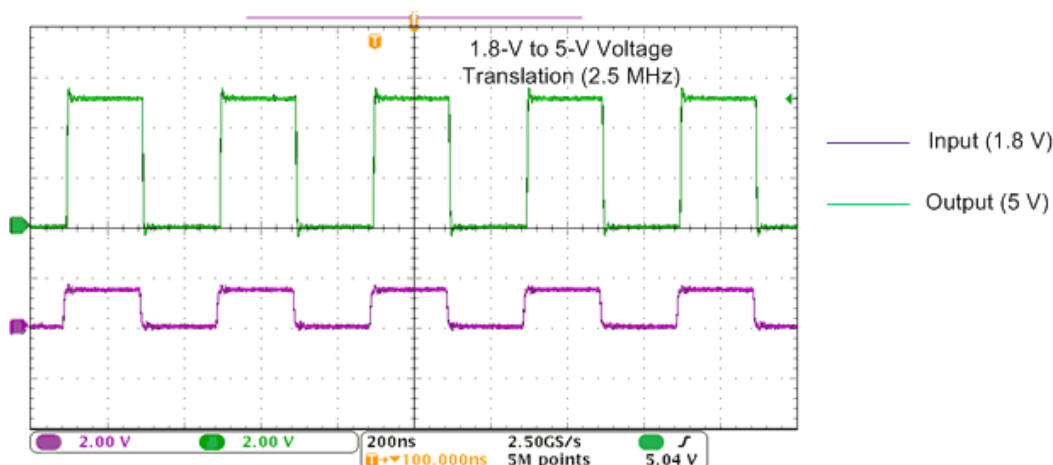


図 8-2. Translation Up (1.8V to 5V) at 2.5 MHz

8.2.2 Bidirectional Logic Level-Shifting Application

図 8-3 shows the SN74LVC1T45 being used in a bidirectional logic level-shifting application. Because the SN74LVC1T45 does not have an output-enable (OE) pin, the system designer should take precautions to avoid bus contention between SYSTEM-1 and SYSTEM-2 when changing directions.

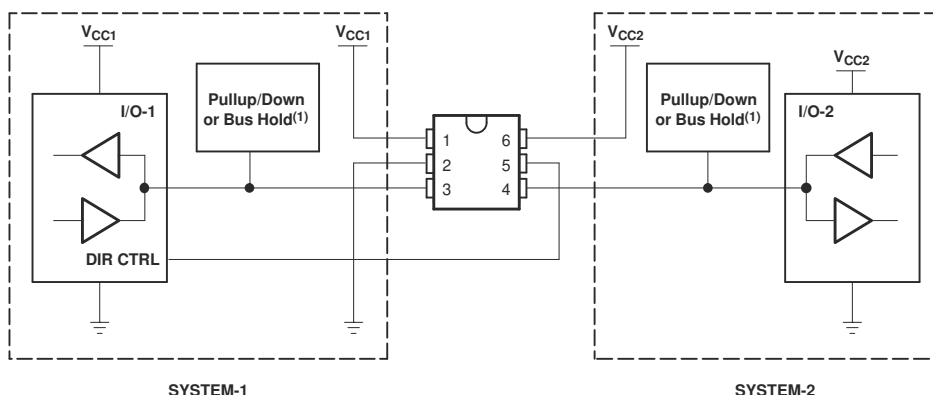


図 8-3. Bidirectional Logic Level-Shifting Application

8.2.2.1 Design Requirements

See セクション 8.2.1.1 .

8.2.2.2 Detailed Design Procedure

表 8-2 shows data transmission from SYSTEM-1 to SYSTEM-2 and then from SYSTEM-2 to SYSTEM-1.

表 8-2. SYSTEM-1 and SYSTEM-2 Data Transmission

STATE	DIR CTRL	I/O-1	I/O-2	DESCRIPTION
1	H	Out	In	SYSTEM-1 data to SYSTEM-2
2	H	Hi-Z	Hi-Z	SYSTEM-2 is getting ready to send data to SYSTEM-1. I/O-1 and I/O-2 are disabled. The bus-line state depends on pullup or pulldown. <sup>(1)</sup>
3	L	Hi-Z	Hi-Z	DIR bit is flipped. I/O-1 and I/O-2 still are disabled. The bus-line state depends on pullup or pulldown. <sup>(1)</sup>



表 8-2. SYSTEM-1 and SYSTEM-2 Data Transmission (続き)

STATE	DIR CTRL	I/O-1	I/O-2	DESCRIPTION
4	L	In	Out	SYSTEM-2 data to SYSTEM-1

(1) SYSTEM-1 and SYSTEM-2 must use the same conditions, that is, both pullup or both pulldown.

#### 8.2.2.2.1 Enable Times

Calculate the enable times for the SN74LVC1T45 using the following formulas:

- $t_{PZH} \text{ (DIR to A)} = t_{PLZ} \text{ (DIR to B)} + t_{PLH} \text{ (B to A)}$
- $t_{PZL} \text{ (DIR to A)} = t_{PHZ} \text{ (DIR to B)} + t_{PHL} \text{ (B to A)}$
- $t_{PZH} \text{ (DIR to B)} = t_{PLZ} \text{ (DIR to A)} + t_{PLH} \text{ (A to B)}$
- $t_{PZL} \text{ (DIR to B)} = t_{PHZ} \text{ (DIR to A)} + t_{PHL} \text{ (A to B)}$

In a bidirectional application, these enable times provide the maximum delay from the time the DIR bit is switched until an output is expected. For example, if the SN74LVC1T45 initially is transmitting from A to B, then the DIR bit is switched; the B port of the device must be disabled before presenting it with an input. After the B port has been disabled, an input signal applied to it appears on the corresponding A port after the specified propagation delay.

#### 8.2.2.3 Application Curve

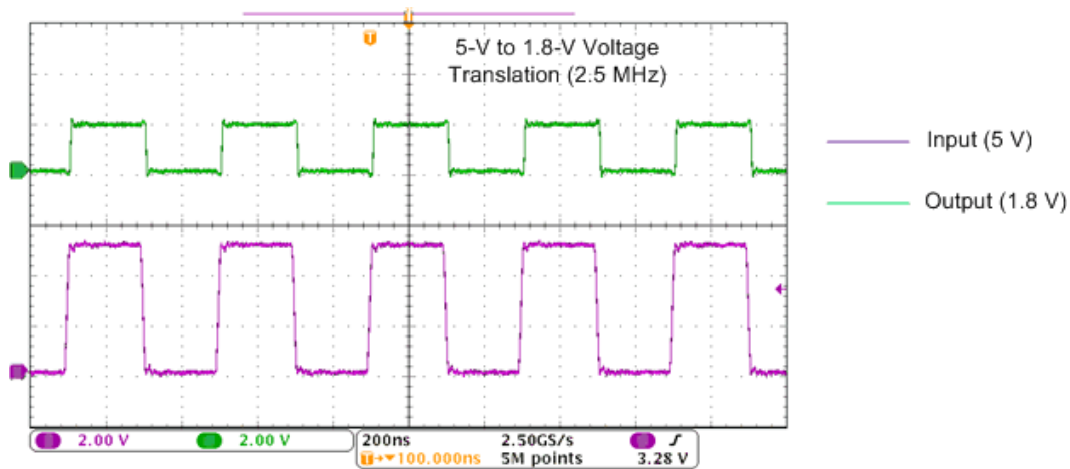


図 8-4. Translation Down (5V to 1.8V) at 2.5 MHz

### 8.3 Power Supply Recommendations

Always apply a ground reference to the GND pins first. This device is designed for glitch free power sequencing without any supply sequencing requirements such as ramp order or ramp rate.

This device was designed with various power supply sequencing methods in mind to help prevent unintended triggering of downstream devices, as described in [Glitch-free Power Supply Sequencing](#).

### 8.4 Layout

#### 8.4.1 Layout Guidelines

To ensure reliability of the device, the following common printed-circuit board layout guidelines are recommended:

- Bypass capacitors should be used on power supplies.
- Short trace lengths should be used to avoid excessive loading.
- Placing pads on the signal paths for loading capacitors or pullup resistors to help adjust rise and fall times of signals depends on the system requirements

8.4.2 Layout Example

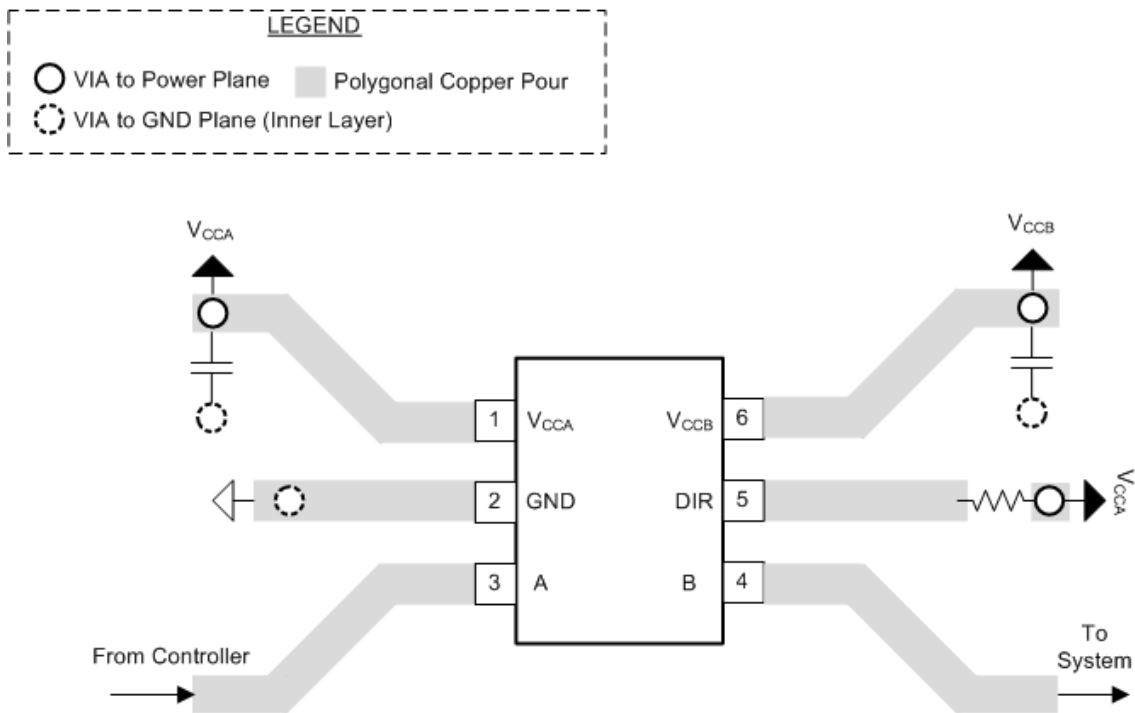


図 8-5. Layout Example

## 9 Device and Documentation Support

### 9.1 Documentation Support

#### 9.1.1 Related Documentation

For related documentation see the following:

- Texas Instruments, [Implications of Slow or Floating CMOS Inputs](#)

### 9.2 ドキュメントの更新通知を受け取る方法

ドキュメントの更新についての通知を受け取るには、[www.tij.co.jp](http://www.tij.co.jp) のデバイス製品フォルダを開いてください。[通知] をクリックして登録すると、変更されたすべての製品情報に関するダイジェストを毎週受け取ることができます。変更の詳細については、改訂されたドキュメントに含まれている改訂履歴をご覧ください。

### 9.3 サポート・リソース

テキサス・インスツルメンツ E2E™ サポート・フォーラムは、エンジニアが検証済みの回答と設計に関するヒントをエキスパートから迅速かつ直接得ることができる場所です。既存の回答を検索したり、独自の質問をしたりすることで、設計に必要な支援を迅速に得ることができます。

リンクされているコンテンツは、各寄稿者により「現状のまま」提供されるものです。これらはテキサス・インスツルメンツの仕様を構成するものではなく、必ずしもテキサス・インスツルメンツの見解を反映したものではありません。テキサス・インスツルメンツの[使用条件](#)を参照してください。

### 9.4 Trademarks

NanoFree™ is a trademark of Texas Instruments.

テキサス・インスツルメンツ E2E™ is a trademark of Texas Instruments.

すべての商標は、それぞれの所有者に帰属します。

### 9.5 静電気放電に関する注意事項



この IC は、ESD によって破損する可能性があります。テキサス・インスツルメンツは、IC を取り扱う際には常に適切な注意を払うことを推奨します。正しい取り扱いおよび設置手順に従わない場合、デバイスを破損するおそれがあります。

ESD による破損は、わずかな性能低下からデバイスの完全な故障まで多岐にわたります。精密な IC の場合、パラメータがわずかに変化するだけで公表されている仕様から外れる可能性があるため、破損が発生しやすくなっています。

### 9.6 用語集

[テキサス・インスツルメンツ用語集](#) この用語集には、用語や略語の一覧および定義が記載されています。

## 10 Revision History

資料番号末尾の英字は改訂を表しています。その改訂履歴は英語版に準じています。

Changes from Revision M (November 2022) to Revision N (June 2024)	Page
• Updated the <i>Power Supply Recommendations</i> section.....	17

Changes from Revision L (February 2017) to Revision M (November 2022)	Page
• ドキュメント全体にわたって表、図、相互参照の採番方法を更新.....	1
• Updated the thermals in the <i>Thermal Information</i> section.....	5
• Updated the <i>Switching Characterisitcs</i> sections: extended some minimum specifications for lower delays .....	7
• Updated the <i>I<sub>off</sub> Supports Partial Power-Down Mode Operation</i> section.....	13
• Added the <i>Balanced High-Drive CMOS Push-Pull Outputs</i> and <i>V<sub>CC</sub> Isolation</i> sections.....	13

## 11 Mechanical, Packaging, and Orderable Information

The following pages include mechanical, packaging, and orderable information. This information is the most current data available for the designated devices. This data is subject to change without notice and revision of this document. For browser-based versions of this data sheet, refer to the left-hand navigation.

## 重要なお知らせと免責事項

テキサス・インスツルメンツは、技術データと信頼性データ (データシートを含みます)、設計リソース (リファレンス デザインを含みます)、アプリケーションや設計に関する各種アドバイス、Web ツール、安全性情報、その他のリソースを、欠陥が存在する可能性のある「現状のまま」提供しており、商品性および特定目的に対する適合性の黙示保証、第三者の知的財産権の非侵害保証を含むいかなる保証も、明示的または黙示的にかかわらず拒否します。

これらのリソースは、テキサス・インスツルメンツ製品を使用する設計の経験を積んだ開発者への提供を意図したものです。(1) お客様のアプリケーションに適した テキサス・インスツルメンツ製品の選定、(2) お客様のアプリケーションの設計、検証、試験、(3) お客様のアプリケーションに該当する各種規格や、その他のあらゆる安全性、セキュリティ、規制、または他の要件への確実な適合に関する責任を、お客様のみが単独で負うものとします。

上記の各種リソースは、予告なく変更される可能性があります。これらのリソースは、リソースで説明されている テキサス・インスツルメンツ製品を使用するアプリケーションの開発の目的でのみ、テキサス・インスツルメンツはその使用をお客様に許諾します。これらのリソースに関して、他の目的で複製することや掲載することは禁止されています。テキサス・インスツルメンツや第三者の知的財産権のライセンスが付与されている訳ではありません。お客様は、これらのリソースを自身で使用した結果発生するあらゆる申し立て、損害、費用、損失、責任について、テキサス・インスツルメンツおよびその代理人を完全に補償するものとし、テキサス・インスツルメンツは一切の責任を拒否します。

テキサス・インスツルメンツの製品は、[テキサス・インスツルメンツの販売条件](#)、または [ti.com](https://www.ti.com) やかかる テキサス・インスツルメンツ製品の関連資料などのいずれかを通じて提供する適用可能な条項の下で提供されています。テキサス・インスツルメンツがこれらのリソースを提供することは、適用されるテキサス・インスツルメンツの保証または他の保証の放棄の拡大や変更を意味するものではありません。

お客様がいかなる追加条項または代替条項を提案した場合でも、テキサス・インスツルメンツはそれらに異議を唱え、拒否します。

郵送先住所: Texas Instruments, Post Office Box 655303, Dallas, Texas 75265

Copyright © 2024, Texas Instruments Incorporated

**PACKAGING INFORMATION**

Orderable Device	Status (1)	Package Type	Package Drawing	Pins	Package Qty	Eco Plan (2)	Lead finish/ Ball material (6)	MSL Peak Temp (3)	Op Temp (°C)	Device Marking (4/5)	Samples
SN74LVC1T45DBVR	ACTIVE	SOT-23	DBV	6	3000	RoHS & Green	NIPDAU   SN	Level-1-260C-UNLIM	-40 to 85	(2PUH, CT15, CT1F, CT1R)	<a href="#">Samples</a>
SN74LVC1T45DBVRE4	ACTIVE	SOT-23	DBV	6	3000	RoHS & Green	NIPDAU	Level-1-260C-UNLIM	-40 to 85	(2PUH, CT15, CT1F, CT1R)	<a href="#">Samples</a>
SN74LVC1T45DBVRG4	ACTIVE	SOT-23	DBV	6	3000	RoHS & Green	NIPDAU	Level-1-260C-UNLIM	-40 to 85	(2PUH, CT15, CT1F, CT1R)	<a href="#">Samples</a>
SN74LVC1T45DBVT	ACTIVE	SOT-23	DBV	6	250	RoHS & Green	NIPDAU   SN	Level-1-260C-UNLIM	-40 to 85	(CT15, CT1F, CT1R)	<a href="#">Samples</a>
SN74LVC1T45DBVTG4	ACTIVE	SOT-23	DBV	6	250	RoHS & Green	NIPDAU	Level-1-260C-UNLIM	-40 to 85	(CT15, CT1F, CT1R)	<a href="#">Samples</a>
SN74LVC1T45DCKR	ACTIVE	SC70	DCK	6	3000	RoHS & Green	NIPDAU   SN	Level-1-260C-UNLIM	-40 to 85	(TA5, TAF, TAR)	<a href="#">Samples</a>
SN74LVC1T45DCKRE4	ACTIVE	SC70	DCK	6	3000	RoHS & Green	NIPDAU	Level-1-260C-UNLIM	-40 to 85	(TA5, TAF, TAR)	<a href="#">Samples</a>
SN74LVC1T45DCKRG4	ACTIVE	SC70	DCK	6	3000	RoHS & Green	SN	Level-1-260C-UNLIM	-40 to 85	(TA5, TAF, TAR)	<a href="#">Samples</a>
SN74LVC1T45DCKT	ACTIVE	SC70	DCK	6	250	RoHS & Green	NIPDAU   SN	Level-1-260C-UNLIM	-40 to 85	(TA5, TAF, TAR)	<a href="#">Samples</a>
SN74LVC1T45DCKTE4	ACTIVE	SC70	DCK	6	250	RoHS & Green	SN	Level-1-260C-UNLIM	-40 to 85	(TA5, TAF, TAR)	<a href="#">Samples</a>
SN74LVC1T45DCKTG4	ACTIVE	SC70	DCK	6	250	RoHS & Green	SN	Level-1-260C-UNLIM	-40 to 85	(TA5, TAF, TAR)	<a href="#">Samples</a>
SN74LVC1T45DPKR	ACTIVE	USON	DPK	6	5000	RoHS & Green	NIPDAU	Level-1-260C-UNLIM	-40 to 85	TA7	<a href="#">Samples</a>
SN74LVC1T45DRLR	ACTIVE	SOT-5X3	DRL	6	4000	RoHS & Green	NIPDAU   NIPDAUAG	Level-1-260C-UNLIM	-40 to 85	(1JX, TA7, TAR)	<a href="#">Samples</a>
SN74LVC1T45DRLRG4	ACTIVE	SOT-5X3	DRL	6	4000	RoHS & Green	NIPDAU	Level-1-260C-UNLIM	-40 to 85	(1JX, TA7, TAR)	<a href="#">Samples</a>
SN74LVC1T45YZPR	ACTIVE	DSBGA	YZP	6	3000	RoHS & Green	SNAGCU	Level-1-260C-UNLIM	-40 to 85	(TA2, TA7, TAN)	<a href="#">Samples</a>

(1) The marketing status values are defined as follows:

**ACTIVE:** Product device recommended for new designs.

**LIFEBUY:** TI has announced that the device will be discontinued, and a lifetime-buy period is in effect.

**NRND:** Not recommended for new designs. Device is in production to support existing customers, but TI does not recommend using this part in a new design.

**PREVIEW:** Device has been announced but is not in production. Samples may or may not be available.

**OBSELETE:** TI has discontinued the production of the device.

(2) **RoHS:** TI defines "RoHS" to mean semiconductor products that are compliant with the current EU RoHS requirements for all 10 RoHS substances, including the requirement that RoHS substance do not exceed 0.1% by weight in homogeneous materials. Where designed to be soldered at high temperatures, "RoHS" products are suitable for use in specified lead-free processes. TI may reference these types of products as "Pb-Free".

**RoHS Exempt:** TI defines "RoHS Exempt" to mean products that contain lead but are compliant with EU RoHS pursuant to a specific EU RoHS exemption.

**Green:** TI defines "Green" to mean the content of Chlorine (Cl) and Bromine (Br) based flame retardants meet JS709B low halogen requirements of  $\leq 1000$ ppm threshold. Antimony trioxide based flame retardants must also meet the  $\leq 1000$ ppm threshold requirement.

(3) MSL, Peak Temp. - The Moisture Sensitivity Level rating according to the JEDEC industry standard classifications, and peak solder temperature.

(4) There may be additional marking, which relates to the logo, the lot trace code information, or the environmental category on the device.

(5) Multiple Device Markings will be inside parentheses. Only one Device Marking contained in parentheses and separated by a "~" will appear on a device. If a line is indented then it is a continuation of the previous line and the two combined represent the entire Device Marking for that device.

(6) Lead finish/Ball material - Orderable Devices may have multiple material finish options. Finish options are separated by a vertical ruled line. Lead finish/Ball material values may wrap to two lines if the finish value exceeds the maximum column width.

**Important Information and Disclaimer:** The information provided on this page represents TI's knowledge and belief as of the date that it is provided. TI bases its knowledge and belief on information provided by third parties, and makes no representation or warranty as to the accuracy of such information. Efforts are underway to better integrate information from third parties. TI has taken and continues to take reasonable steps to provide representative and accurate information but may not have conducted destructive testing or chemical analysis on incoming materials and chemicals. TI and TI suppliers consider certain information to be proprietary, and thus CAS numbers and other limited information may not be available for release.

In no event shall TI's liability arising out of such information exceed the total purchase price of the TI part(s) at issue in this document sold by TI to Customer on an annual basis.

#### OTHER QUALIFIED VERSIONS OF SN74LVC1T45 :

- Automotive : [SN74LVC1T45-Q1](#)
- Enhanced Product : [SN74LVC1T45-EP](#)

#### NOTE: Qualified Version Definitions:

- Automotive - Q100 devices qualified for high-reliability automotive applications targeting zero defects
- Enhanced Product - Supports Defense, Aerospace and Medical Applications

## 重要なお知らせと免責事項

TI は、技術データと信頼性データ (データシートを含みます)、設計リソース (リファレンス・デザインを含みます)、アプリケーションや設計に関する各種アドバイス、Web ツール、安全性情報、その他のリソースを、欠陥が存在する可能性のある「現状のまま」提供しており、商品性および特定目的に対する適合性の黙示保証、第三者の知的財産権の非侵害保証を含むいかなる保証も、明示的または黙示的にかかわらず拒否します。

これらのリソースは、TI 製品を使用する設計の経験を積んだ開発者への提供を意図したものです。(1) お客様のアプリケーションに適した TI 製品の選定、(2) お客様のアプリケーションの設計、検証、試験、(3) お客様のアプリケーションに該当する各種規格や、その他のあらゆる安全性、セキュリティ、規制、または他の要件への確実な適合に関する責任を、お客様のみが単独で負うものとし、

上記の各種リソースは、予告なく変更される可能性があります。これらのリソースは、リソースで説明されている TI 製品を使用するアプリケーションの開発の目的でのみ、TI はその使用をお客様に許諾します。これらのリソースに関して、他の目的で複製することや掲載することは禁止されています。TI や第三者の知的財産権のライセンスが付与されている訳ではありません。お客様は、これらのリソースを自身で使用した結果発生するあらゆる申し立て、損害、費用、損失、責任について、TI およびその代理人を完全に補償するものとし、TI は一切の責任を拒否します。

TI の製品は、[TI の販売条件](#)、または [ti.com](#) やかかる TI 製品の関連資料などのいずれかを通じて提供する適用可能な条項の下で提供されています。TI がこれらのリソースを提供することは、適用される TI の保証または他の保証の放棄の拡大や変更を意味するものではありません。

お客様がいかなる追加条項または代替条項を提案した場合でも、TI はそれらに異議を唱え、拒否します。

郵送先住所 : Texas Instruments, Post Office Box 655303, Dallas, Texas 75265  
Copyright © 2024, Texas Instruments Incorporated