

AN-1077 Understanding the Power Supply Requirements of PCI Bus Standard-How to Protect the Digital Components

ABSTRACT

This application report provides an analog design guide to the PCI system designers.

Contents

1	Introduction	2
2	Analog Requirements for PCI Specification 2.1	2

List of Figures

1	Possible Current Diode Path From 5 V to 3.3 V via 3.3 V Clamp Diode	3
2	Possible Current Diode Path From 3.3 V to 5 V When 5 V is Crowbarred.....	4
3	Typical Application Circuit Using the LMC6953 on a Motherboard	5
4	Using LMC6953 to Monitor Three Different Voltages	5

List of Tables

1	Analog Requirements Found in PCI Specification Revision 2.1	2
2	Safe and Unsafe Conditions in Mixed Voltage PCI Systems	4

1 Introduction

Until recently, PCI systems primarily used 5 V components. But as submicron process technology advances, the trend is to support mixed voltage components in the newer PCI systems. As a result, power supply requirements on mixed voltage PCI systems are getting increasing attention from the design community. Understanding and designing to these requirements will prevent any power supply variations from damaging PCI components. These requirements are defined in the analog portion of the PCI Specification Revision 2.1. They specifically deal with 5 V and 3.3 V mixed-voltage environment.

The analog portion of the PCI 2.1 is scattered in various sections of the document. This article compiles all the analog requirements in [Table 1](#) and explains the requirements in detail.

Inside a typical computer, there are ± 12 V, ± 5 V and +3.3 V power supplies. The analog portion of PCI Specification Revision 2.1 focuses on the +5 V and +3.3 V power supply requirements, because the PCI local bus and add-in cards may run on either or both voltages. The requirements outline what actions must be taken when the supply voltages are out of tolerance, as in Section 4.3.2 of PCI 2.1. It also describes possible behaviors of supply voltages that may destroy PCI components. Real danger exists if these requirements are ignored. Therefore, building a robust PCI system demands a solution to address the issues discussed above. This responsibility falls on the PCI system architecture designers and system design engineers.

2 Analog Requirements for PCI Specification 2.1

[Table 1](#) lists the sections in the PCI Specification Revision 2.1 that cover the analog requirements. Specs I and II establish the $\pm 5\%$ initial tolerance for 5 V supply. Specs III and IV establish $\pm 9\%$ initial tolerance for 3.3 V supply.

Table 1. Analog Requirements Found in PCI Specification Revision 2.1

	PCI Local Bus Specification Revision 2.1	Where to Find Spec	Page No
I	Maximum for 5 V Supply Voltage 5.25 V *see Spec V	Section 4.2.1.1 Table 4.1	123
II	Minimum for 5 V Supply Voltage 4.75 V *see Spec V	Section 4.2.1.1 Table 4.1	123
III	Maximum for 3.3 V Supply Voltage 3.6 V *see Spec V	Section 4.2.2.1 Table 4.3	128
IV	Minimum for 3.3 V Supply Voltage 3.0 V *see Spec V	Section 4.2.2.1 Table 4.3	128
V	The value of T_{fail} is the minimum of 500 ns (maximum) from either power rail going out of specifications *(exceeding specified tolerances by more than 500 mV). 100 ns (maximum) from the 5 V rail failing below 3.3 V rail by more than 500 mV.	Section 4.3.2 Reset Section	139
VI	Anytime \overline{RST} is asserted, all PCI output signals must be driven to their benign state. In general, this means they must be asynchronously tri-stated.	Section 2.2.1 \overline{RST} Section	9
VII	Clamping directly to the 3.3 V rail with a simple diode must never be used in the 5 V signaling environment. When dual power rails are used, parasitic diode paths can exist from one supply to another. These diode paths can become significantly forward biased (conducting) if one of the power rails goes out of spec momentarily. Diode clamps to a power rails as well as to output pull-up devices, must be able to withstand short circuit current until drivers can be tri-stated. Refer to Section 4.3.2 for more information.	Section 4.2.1.2 (refer to the article for more information)	126
VIII	There is no specified sequence in which the four power rails (12 V, -12 V, 5 V and 3.3 V) are activated or deactivated. They may come up and go down in any order. The system must assert \overline{RST} both at power up and whenever either the 5 V or 3.3 V rails go out of spec (per Section 4.3.2). During reset, all PCI signals are driven to a "safe" state, as described in Section 4.3.2.	Section 4.3.4.2 (refer to the article for more information)	142

Spec V establishes an additional ± 500 mV on both of the 5 V and 3.3 V supplies for noise margin consideration. Moreover, Spec V states that if either the 5 V supply or the 3.3 V supply is out of limit, a \overline{RST} signal has to be asserted within 500 ns. For example, if 5 V supply is over 5.75 V, \overline{RST} has to be asserted within 500 ns. The worst case in Spec V, and a potentially destructive case, is if 5 V supply falls below 3.3 V supply by more than 300 mV. \overline{RST} signal has to be asserted within 100 ns when this occurs.

Spec VI requires that all PCI output signals be tri-stated once \overline{RST} is asserted. Tri-stating the PCI devices will prevent any current flowing from the PCI devices to damage other PCI devices connected to the PCI bus.

Spec VII describes possible dangers of protection diodes being turned on in mixed voltage environment. In the event that a protection diode is clamped directly to 3.3 V supply in an 3.3 V I/O device, it will be forward biased when the input of the I/O is coming from 5 V devices. This is shown in [Figure 1](#). Possibly, a large amount of current will flow from 5 V outputs into the 3.3 V device through the protection diode, damaging the 3.3 V device. Consequently, Spec VII advises never to clamp a diode directly to 3.3 V supply in 5 V signaling environment.

Specs VII describes another situation where the current flow is from 3.3 V supply to 5 V supply. In the case when 5 V supply is accidentally crowbarred to ground, a current path exists between 3.3 V supply and 5 V supply (now ground), shown in [Figure 2](#). The current flows from the 3.3 V device through the PCI bus into the 5 V device. Since the 5 V supply is now ground, the input protection diode inside the 5 V device becomes forward biased, allowing the large current to pass through, possibly damaging the 5 V device. Spec V and VI protect the 5 V device by asserting \overline{RST} in 100 ns when the 5 V falls below 3.3 V by more than 300 mV. Upon \overline{RST} assertion, all PCI output signals will be tri-stated.

The 5 V and the 3.3 V devices in [Figure 2](#) can be part of a discrete logic, chipset, or ASIC.

Spec VIII points out another threat that mixed voltage supplies have on PCI components. PCI 2.1 does not guarantee power-up and power-down sequences. As an example of Spec VIII, consider the instance where 3.3 V supply comes up before 5 V supply. If 5 V rises slowly, staying under 3.3 V, there can be a current path from 3.3 V supply to 5 V supply through the protection diode inside the 5 V logic. Destruction can happen. The same principle applies when 3.3 V power supply goes to ground slower than 5 V. Spec V prevents disasters by asserting \overline{RST} until supplies are within their limits.

A second example on Spec VIII is the case where 5 V and 3.3 V supplies are independently regulated from the main power supply. If the 5 V supply momentarily fails, 5 V devices can suffer from electrical overstress resulting from current flowing from 3.3 V to 5 V through the 5 V device input protection diodes. Again, Spec V saves the situation by asserting \overline{RST} when 5 V is out of limit.

A third example of Spec VIII is the case where 3.3 V is generated from 5 V via a linear regulator either in the main power supply or add-in cards. Some regulators do not provide current limiting on 3.3 V output. Electrical overstress can damage the pass transistor inside the regulator, allowing the 3.3 V to rise to 5 V. This would exceed the operating voltage range on the 3.3 V devices. PCI 2.1 provides over-voltage protection by asserting \overline{RST} to tri-state outputs in this situation.

Mixed voltage environment presents a new challenge to the PCI system architecture designers. With so many different power supply sources using various implementations, it is very difficult to ensure that a power supply complies with PCI 2.1 at all times. Many believe that PCI voltage monitoring is the responsibility of the power supply section. Today, this is not the case. A PCI system designer has no control of power supplies and add-in cards. However, he does have control of the motherboard. Therefore, it is far better to design the protection function that will monitor all types of power supplies and add-in cards on the motherboard. As a reference, [Table 2](#) shows some safe and unsafe conditions in mixed voltage PCI systems.

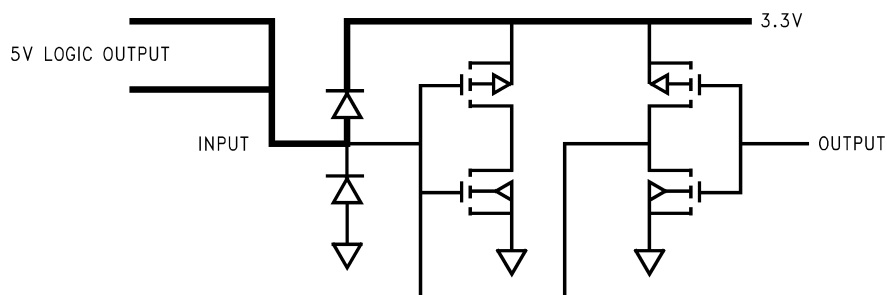
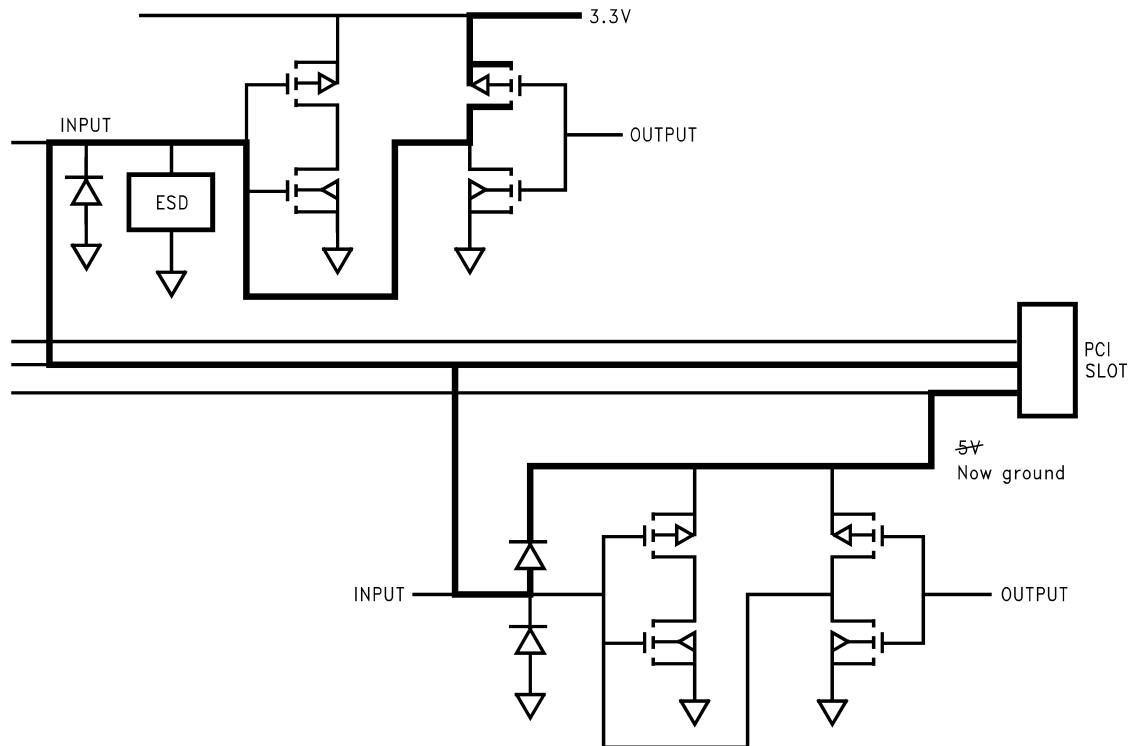


Figure 1. Possible Current Diode Path From 5 V to 3.3 V via 3.3 V Clamp Diode


Figure 2. Possible Current Diode Path From 3.3 V to 5 V When 5 V is Crowbarred
Table 2. Safe and Unsafe Conditions in Mixed Voltage PCI Systems

UNSAFE CONDITIONS:
3.3 V supply coming up before 5 V supply.
5 V and 3.3 V power supplies are independently regulated from the main power supply.
3.3 V is generated from 5 V via linear regulator.
Any 3.3 V logic IC that is not 5 V tolerant and does not use buffers that are 5 V tolerant to drive directly on the PCI bus.
SAFE CONDITIONS:
PCI bus is 5 V only or 3.3 V only. This includes PCI add-in cards.
3.3 V logic is 5 V tolerant. This includes any I/O being directly connected to the PCI bus. Mixed 5 V and 3.3 V have compatible logic levels.
Any 3.3 V logic IC's that are not 5 V tolerant use buffers that are 5 V tolerant to drive directly on the PCI bus. This applies to motherboard as well as add-in cards.

Texas Instruments recognizes the need for monitoring power supplies in PCI environment to ensure system integrity and safety. The LMC6953 PCI power supply monitor IC is designed to comply with PCI 2.1, meeting all the analog requirements. It fully addresses all the specs discussed.

There are five comparators inside the LMC6953. Two of them monitor over-voltage and under-voltage on the 5 V supply; two other monitor the over-voltage and under-voltage on the 3.3 V supply. The fifth one is a differential comparator monitoring for power failure - 5 V going 300 mV below 3.3 V. The LMC6953 also has a 5 V/3.3 V logic compatible interrupt pin. During power-up, the LMC6953 holds \overline{RST} low for 100 ms (as required by Section 4.3.2, Figure 4.12 of PCI 2.1) after both 5 V and 3.3 V supplies are within their specified windows. It asserts \overline{RST} within 490 ns when an over-voltage or an under-voltage is detected. In case of power failure or momentary fault where the 5 V supply falls below 3.3 V supply by 300 mV maximum, \overline{RST} is asserted within 90 ns.

\overline{RST} also can be instantly asserted by sending a CMOS logic low to the manual interrupt pin. Each time \overline{RST} is asserted, it holds low for 100 ms after all fault conditions are recovered. The 100 ms delay is generated by the 0.01 μF C_{EXT} capacitor, and can be adjusted by changing the value of C_{EXT} .

The LMC6953 is designed for desktop PC motherboards or add-in cards. Figure 3 shows the LMC6953 monitoring the 5 V and 3.3 V power supplies from the power supplies and asserting \overline{RST} to the system controllers in case of a fault condition. \overline{RST} from the LMC6953 has an open-drain output and can be Ored to different system controllers. If monitoring a third voltage is desired, for example, 12 V, it can be achieved by voltage dividing the 12 V down to 2.5 V and connecting it to the manual reset input. Furthermore, the manual reset input can, at the same time, accept a logic output and the divided-down 12 V, as shown in Figure 4.

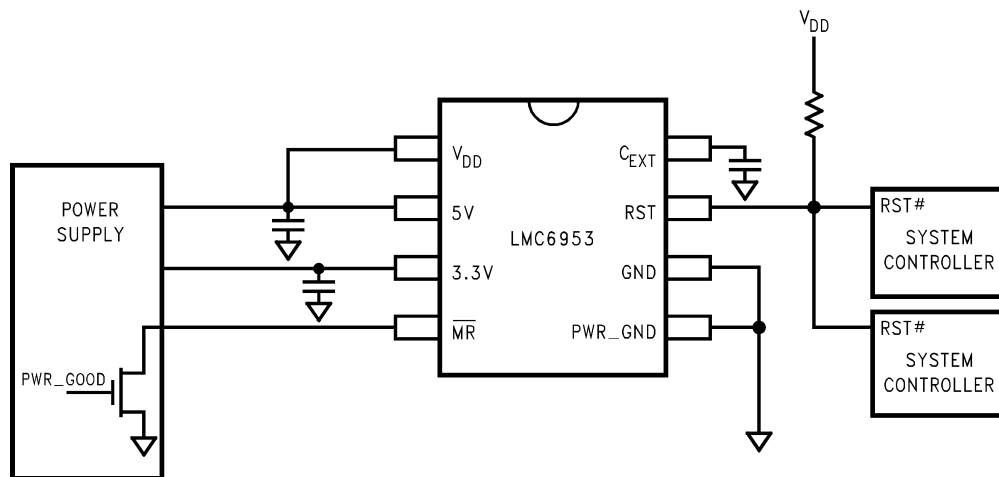


Figure 3. Typical Application Circuit Using the LMC6953 on a Motherboard

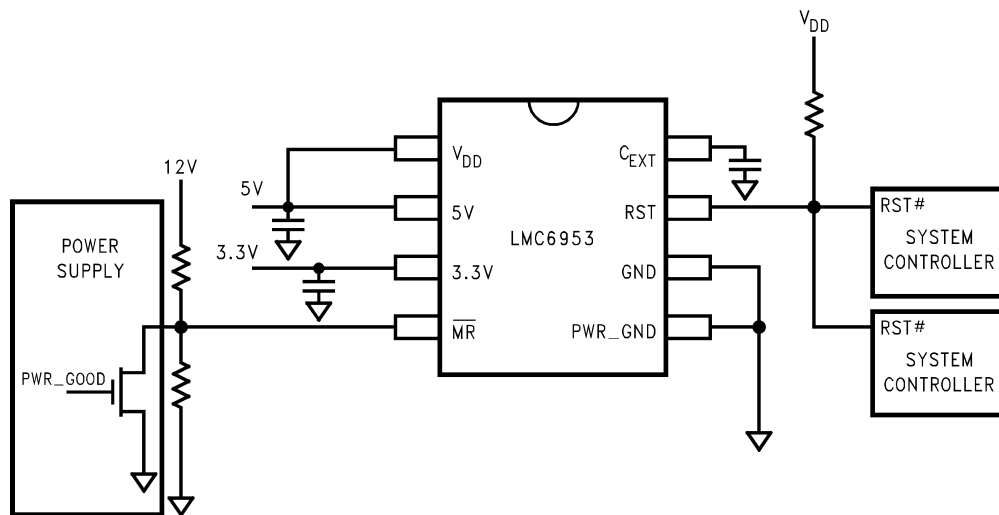


Figure 4. Using LMC6953 to Monitor Three Different Voltages

Power supplies do not provide any functions defined in PCI 2.1. In fact, power supplies have such diverse designs that the only sure way to design a PCI-compliant system is to include the power supply monitoring functions on the motherboard. The LMC6953 is designed for that purpose. It offers an integrated solution that completely covers the power supply requirements in PCI 2.1. Designing the LMC6953 into a mixed voltage PCI system will protect the digital components in that system. The LMC6953 asserts \overline{RST} to the system controllers when there is a fault condition on the supply voltages. The \overline{RST} in turn drives all PCI output signals to their benign state, preventing destructive events due to any of the conditions listed in Table 1.

There are data sheets, demonstration boards and powerpoint presentations to aid designers and the sales force to learn more about the LMC6953 as well as gaining further insight into this subject.

IMPORTANT NOTICE

Texas Instruments Incorporated and its subsidiaries (TI) reserve the right to make corrections, enhancements, improvements and other changes to its semiconductor products and services per JESD46, latest issue, and to discontinue any product or service per JESD48, latest issue. Buyers should obtain the latest relevant information before placing orders and should verify that such information is current and complete. All semiconductor products (also referred to herein as "components") are sold subject to TI's terms and conditions of sale supplied at the time of order acknowledgment.

TI warrants performance of its components to the specifications applicable at the time of sale, in accordance with the warranty in TI's terms and conditions of sale of semiconductor products. Testing and other quality control techniques are used to the extent TI deems necessary to support this warranty. Except where mandated by applicable law, testing of all parameters of each component is not necessarily performed.

TI assumes no liability for applications assistance or the design of Buyers' products. Buyers are responsible for their products and applications using TI components. To minimize the risks associated with Buyers' products and applications, Buyers should provide adequate design and operating safeguards.

TI does not warrant or represent that any license, either express or implied, is granted under any patent right, copyright, mask work right, or other intellectual property right relating to any combination, machine, or process in which TI components or services are used. Information published by TI regarding third-party products or services does not constitute a license to use such products or services or a warranty or endorsement thereof. Use of such information may require a license from a third party under the patents or other intellectual property of the third party, or a license from TI under the patents or other intellectual property of TI.

Reproduction of significant portions of TI information in TI data books or data sheets is permissible only if reproduction is without alteration and is accompanied by all associated warranties, conditions, limitations, and notices. TI is not responsible or liable for such altered documentation. Information of third parties may be subject to additional restrictions.

Resale of TI components or services with statements different from or beyond the parameters stated by TI for that component or service voids all express and any implied warranties for the associated TI component or service and is an unfair and deceptive business practice. TI is not responsible or liable for any such statements.

Buyer acknowledges and agrees that it is solely responsible for compliance with all legal, regulatory and safety-related requirements concerning its products, and any use of TI components in its applications, notwithstanding any applications-related information or support that may be provided by TI. Buyer represents and agrees that it has all the necessary expertise to create and implement safeguards which anticipate dangerous consequences of failures, monitor failures and their consequences, lessen the likelihood of failures that might cause harm and take appropriate remedial actions. Buyer will fully indemnify TI and its representatives against any damages arising out of the use of any TI components in safety-critical applications.

In some cases, TI components may be promoted specifically to facilitate safety-related applications. With such components, TI's goal is to help enable customers to design and create their own end-product solutions that meet applicable functional safety standards and requirements. Nonetheless, such components are subject to these terms.

No TI components are authorized for use in FDA Class III (or similar life-critical medical equipment) unless authorized officers of the parties have executed a special agreement specifically governing such use.

Only those TI components which TI has specifically designated as military grade or "enhanced plastic" are designed and intended for use in military/aerospace applications or environments. Buyer acknowledges and agrees that any military or aerospace use of TI components which have **not** been so designated is solely at the Buyer's risk, and that Buyer is solely responsible for compliance with all legal and regulatory requirements in connection with such use.

TI has specifically designated certain components as meeting ISO/TS16949 requirements, mainly for automotive use. In any case of use of non-designated products, TI will not be responsible for any failure to meet ISO/TS16949.

Products

Audio	www.ti.com/audio
Amplifiers	amplifier.ti.com
Data Converters	dataconverter.ti.com
DLP® Products	www.dlp.com
DSP	dsp.ti.com
Clocks and Timers	www.ti.com/clocks
Interface	interface.ti.com
Logic	logic.ti.com
Power Mgmt	power.ti.com
Microcontrollers	microcontroller.ti.com
RFID	www.ti-rfid.com
OMAP Applications Processors	www.ti.com/omap
Wireless Connectivity	www.ti.com/wirelessconnectivity

Applications

Automotive and Transportation	www.ti.com/automotive
Communications and Telecom	www.ti.com/communications
Computers and Peripherals	www.ti.com/computers
Consumer Electronics	www.ti.com/consumer-apps
Energy and Lighting	www.ti.com/energy
Industrial	www.ti.com/industrial
Medical	www.ti.com/medical
Security	www.ti.com/security
Space, Avionics and Defense	www.ti.com/space-avionics-defense
Video and Imaging	www.ti.com/video

TI E2E Community

e2e.ti.com