

# LM109,LM309

*LM109/LM309 5-Volt Regulator*



Literature Number: SNVS752A

# LM109/LM309 5-Volt Regulator

## General Description

The LM109 series are complete 5V regulators fabricated on a single silicon chip. They are designed for local regulation on digital logic cards, eliminating the distribution problems associated with single-point regulation. The devices are available in two standard transistor packages. In the solid-kovar TO-5 header, it can deliver output currents in excess of 200 mA, if adequate heat sinking is provided. With the TO-3 power package, the available output current is greater than 1A.

The regulators are essentially blowout proof. Current limiting is included to limit the peak output current to a safe value. In addition, thermal shutdown is provided to keep the IC from overheating. If internal dissipation becomes too great, the regulator will shut down to prevent excessive heating.

Considerable effort was expended to make these devices easy to use and to minimize the number of external components. It is not necessary to bypass the output, although this

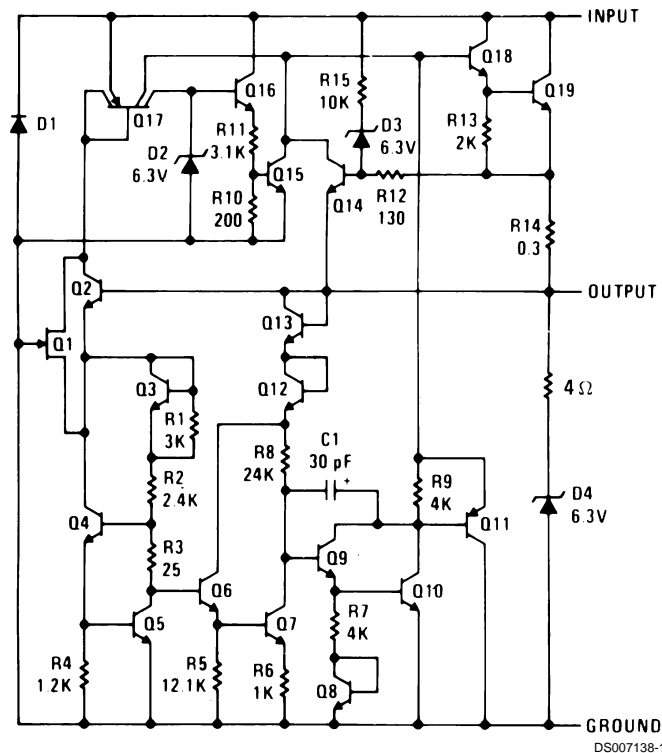
does improve transient response somewhat. Input bypassing is needed, however, if the regulator is located very far from the filter capacitor of the power supply. Stability is also achieved by methods that provide very good rejection of load or line transients as are usually seen with TTL logic.

Although designed primarily as a fixed-voltage regulator, the output of the LM109 series can be set to voltages above 5V, as shown. It is also possible to use the circuits as the control element in precision regulators, taking advantage of the good current-handling capability and the thermal overload protection.

## Features

- Specified to be compatible, worst case, with TTL and DTL
- Output current in excess of 1A
- Internal thermal overload protection
- No external components required

## Schematic Diagram



**Absolute Maximum Ratings** (Note 1)

If Military/Aerospace specified devices are required, please contact the National Semiconductor Sales Office/Distributors for availability and specifications.

Input Voltage 35V  
Power Dissipation Internally Limited

Operating Junction Temperature Range

LM109 -55°C to +150°C

LM309 0°C to +125°C

Storage Temperature Range -65°C to +150°C

Lead Temperature

(Soldering, 10 sec.) 300°C

**Electrical Characteristics** (Note 2)

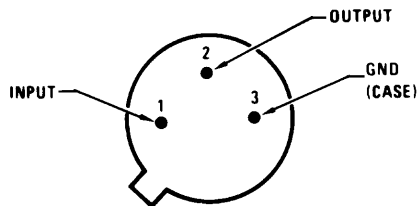
Parameter	Conditions	LM109			LM309			Units
		Min	Typ	Max	Min	Typ	Max	
Output Voltage	$T_j = 25^\circ\text{C}$	4.7	5.05	5.3	4.8	5.05	5.2	V
Line Regulation	$T_j = 25^\circ\text{C}$ $7.10\text{V} \leq V_{\text{IN}} \leq 25\text{V}$		4.0	50		4.0	50	mV
Load Regulation	$T_j = 25^\circ\text{C}$							
TO-39 Package	$5\text{ mA} \leq I_{\text{OUT}} \leq 0.5\text{A}$		15	50		15	50	mV
TO-3 Package	$5\text{ mA} \leq I_{\text{OUT}} \leq 1.5\text{A}$		15	100		15	100	mV
Output Voltage	$7.40\text{V} \leq V_{\text{IN}} \leq 25\text{V}$ , $5\text{ mA} \leq I_{\text{OUT}} \leq I_{\text{MAX}}$ , $P < P_{\text{MAX}}$	4.6		5.4	4.75		5.25	V
Quiescent Current	$7.40\text{V} \leq V_{\text{IN}} \leq 25\text{V}$		5.2	10		5.2	10	mA
Quiescent Current Change	$7.40\text{V} \leq V_{\text{IN}} \leq 25\text{V}$			0.5			0.5	mA
	$5\text{ mA} \leq I_{\text{OUT}} \leq I_{\text{MAX}}$			0.8			0.8	mA
Output Noise Voltage	$T_A = 25^\circ\text{C}$ $10\text{ Hz} \leq f \leq 100\text{ kHz}$		40			40		$\mu\text{V}$
Long Term Stability			10			20		mV
Ripple Rejection	$T_j = 25^\circ\text{C}$	50			50			dB
Thermal Resistance, Junction to Case	(Note 3)							
TO-39 Package			15			15		$^\circ\text{C/W}$
TO-3 Package			2.5			2.5		$^\circ\text{C/W}$

**Note 1:** "Absolute Maximum Ratings" indicate limits beyond which damage to the device may occur. Operating Ratings indicate conditions for which the device is functional, but do not guarantee specific performance limits.

**Note 2:** Unless otherwise specified, these specifications apply  $-55^\circ\text{C} \leq T_j \leq +150^\circ\text{C}$  for the LM109 and  $0^\circ\text{C} \leq T_j \leq +125^\circ\text{C}$  for the LM309;  $V_{\text{IN}} = 10\text{V}$ ; and  $I_{\text{OUT}} = 0.1\text{A}$  for the TO-39 package or  $I_{\text{OUT}} = 0.5\text{A}$  for the TO-3 package. For the TO-39 package,  $I_{\text{MAX}} = 0.2\text{A}$  and  $P_{\text{MAX}} = 2.0\text{W}$ . For the TO-3 package,  $I_{\text{MAX}} = 1.0\text{A}$  and  $P_{\text{MAX}} = 20\text{W}$ .

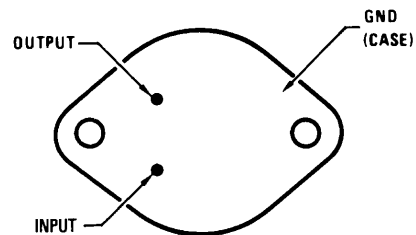
**Note 3:** Without a heat sink, the thermal resistance of the TO-39 package is about  $150^\circ\text{C/W}$ , while that of the TO-3 package is approximately  $35^\circ\text{C/W}$ . With a heat sink, the effective thermal resistance can only approach the values specified, depending on the efficiency of the sink.

**Note 4:** Refer to RETS109H drawing for LM109H or RETS109K drawing for LM109K military specifications.

**Connection Diagrams****Metal Can Packages**

DS007138-33

Order Number LM109H, LM109H/883 or LM309H  
See NS Package Number H03A



DS007138-34

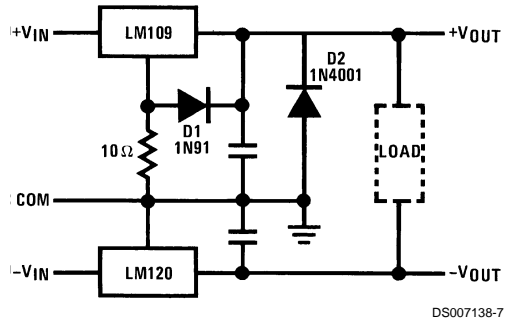
Order Number LM109K STEEL or  
LM309K STEEL  
See NS Package Number K02A  
Order Number LM109K/883  
See NS Package Number K02C

## Application Hints

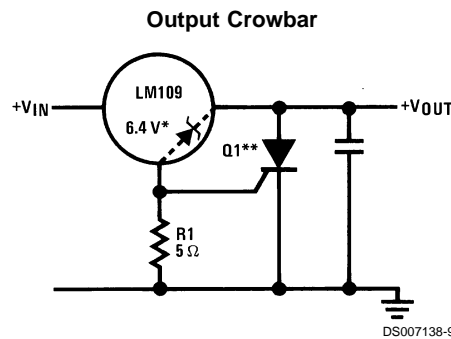
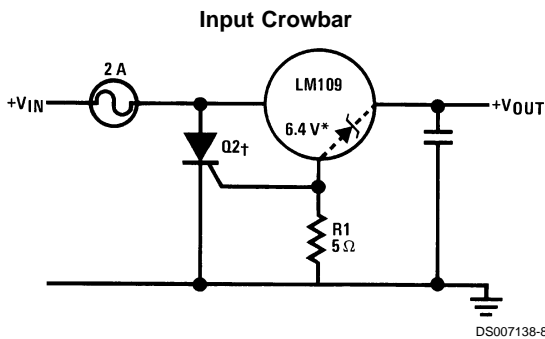
1. **Bypass the input** of the LM109 to ground with  $\geq 0.2 \mu\text{F}$  ceramic or solid tantalum capacitor if main filter capacitor is more than 4 inches away.
2. **Avoid insertion of regulator into "live" socket** if input voltage is greater than 10V. The output will rise to within 2V of the unregulated input if the ground pin does not make contact, possibly damaging the load. The LM109 may also be damaged if a large output capacitor is charged up, then discharged through the internal clamp zener when the ground pin makes contact.
3. **The output clamp zener** is designed to absorb transients only. It will not clamp the output effectively if a failure occurs in the internal power transistor structure. Zener dynamic impedance is  $\approx 4\Omega$ . Continuous RMS current into the zener should not exceed 0.5A.
4. **Paralleling of LM109s** for higher output current is not recommended. Current sharing will be almost nonexistent, leading to a current limit mode operation for devices with the highest initial output voltage. The current limit devices may also heat up to the thermal shutdown point ( $\approx 175^\circ\text{C}$ ). Long term reliability cannot be guaranteed under these conditions.

## 5. Preventing latching for loads connected to negative voltage:

If the output of the LM109 is pulled negative by a high current supply so that the output pin is more than 0.5V negative with respect to the ground pin, the LM109 can latch off. This can be prevented by clamping the ground pin to the output pin with a germanium or Schottky diode as shown. A silicon diode (1N4001) at the output is also needed to keep the positive output from being pulled too far negative. The  $10\Omega$  resistor will raise  $+V_{\text{OUT}}$  by  $\approx 0.05\text{V}$ .



## Crowbar Overvoltage Protection



\*Zener is internal to LM109.

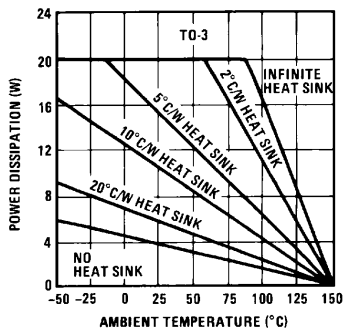
\*\*Q1 must be able to withstand 7A continuous current if fusing is not used at regulator input. LM109 bond wires will fuse at currents above 7A.

†Q2 is selected for surge capability. Consideration must be given to filter capacitor size, transformer impedance, and fuse blowing time.

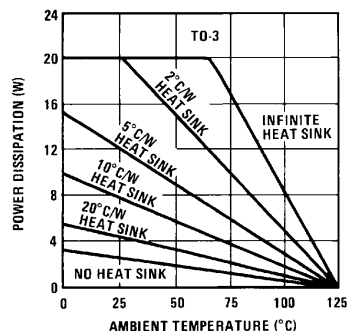
††Trip point is  $\approx 7.5\text{V}$ .

## Typical Performance Characteristics

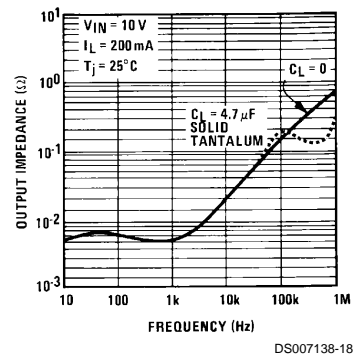
Maximum Average Power Dissipation (LM109K)



Maximum Average Power Dissipation (LM309K)

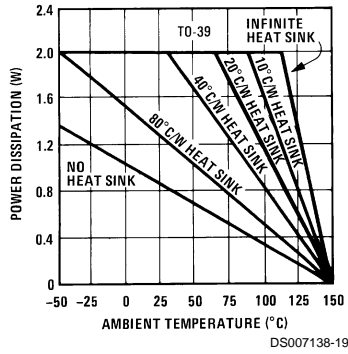


Output Impedance

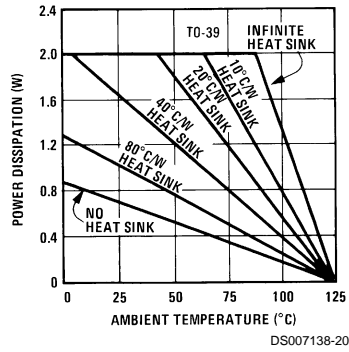


# Typical Performance Characteristics (Continued)

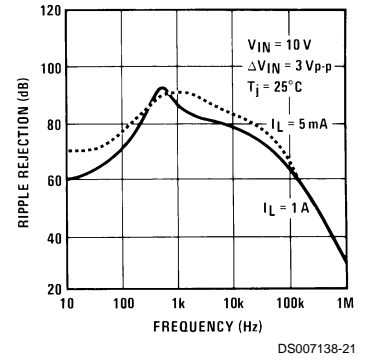
**Maximum Average Power Dissipation (LM109H)**



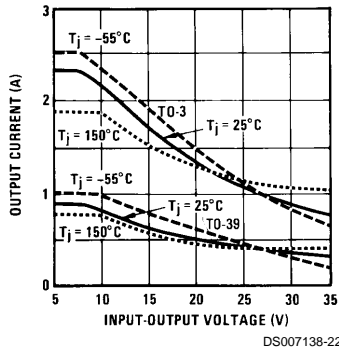
**Maximum Average Power Dissipation (LM309H)**



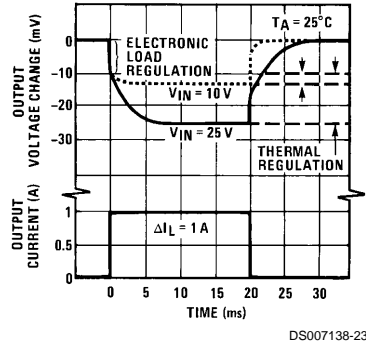
**Ripple Rejection**



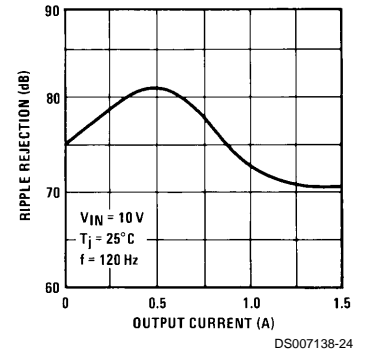
**Current Limit Characteristics (Note 5)**



**Thermally Induced Output Voltage Variation**

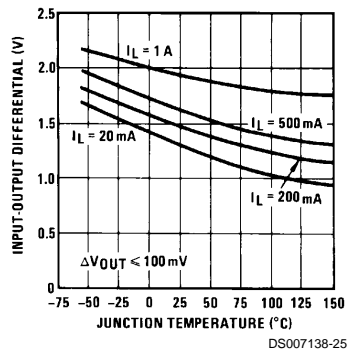


**Ripple Rejection**

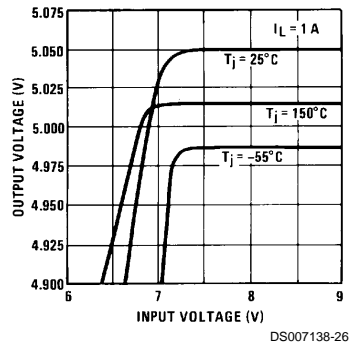


**Note 5:** Current limiting foldback characteristics are determined by input output differential, not by output voltage.

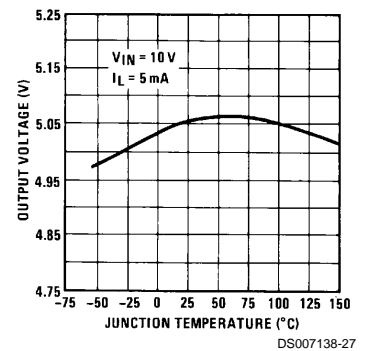
**Input-Output Differential (V)**



**Output Voltage (V)**

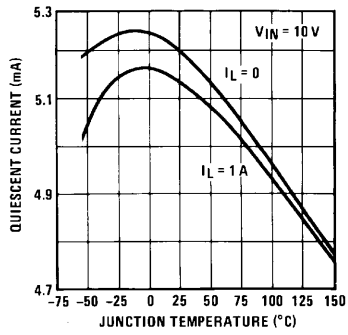


**Output Voltage (V)**



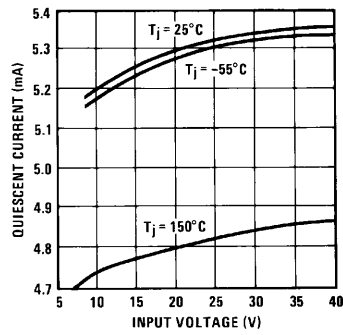
# Typical Performance Characteristics (Continued)

Quiescent Current



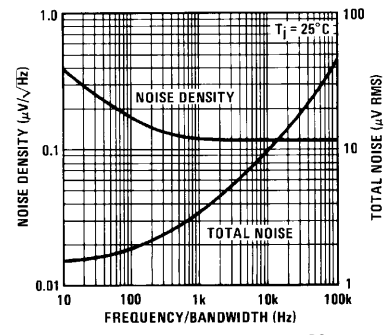
DS007138-28

Quiescent Current



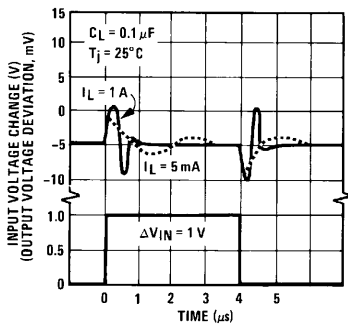
DS007138-29

Output Voltage Noise



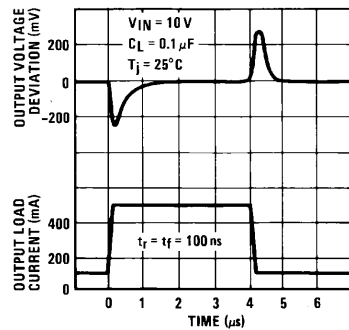
DS007138-30

Line Transient Response



DS007138-31

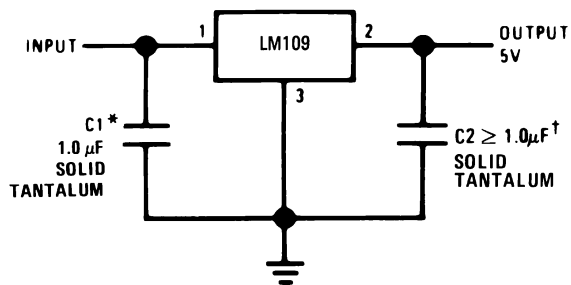
Load Transient Response



DS007138-32

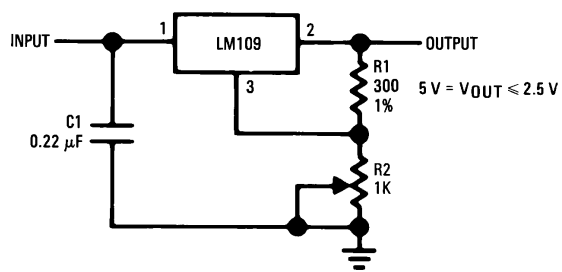
## Typical Applications

Fixed 5V Regulator



DS007138-2

Adjustable Output Regulator



DS007138-4

\*Required if regulator is located more than 4" from power supply filter capacitor.

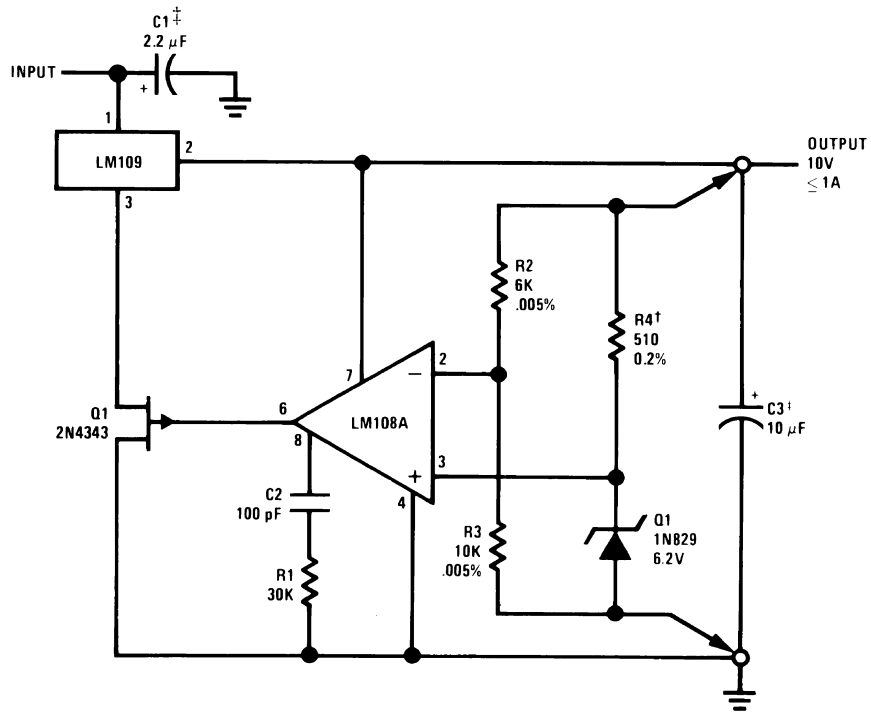
†Although no output capacitor is needed for stability, it does improve transient response.

C2 should be used whenever long wires are used to connect to the load, or when transient response is critical.

Note: Pin 3 electrically connected to case.

## Typical Applications (Continued)

### High Stability Regulator\*



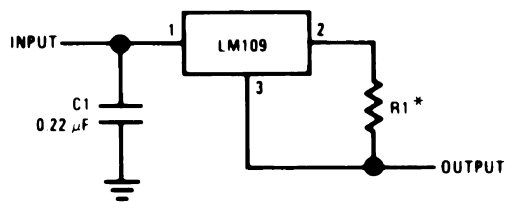
DS007138-5

\*Regulation better than 0.01%, load, line and temperature, can be obtained.

†Determines zener current. May be adjusted to minimize thermal drift.

‡Solid tantalum.

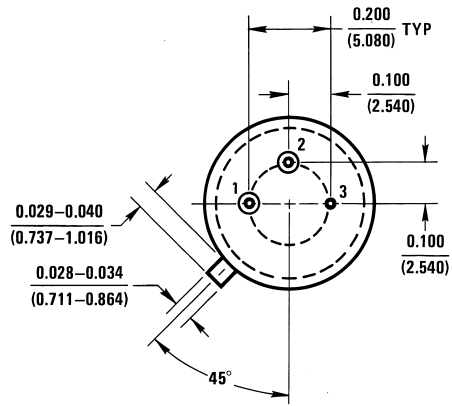
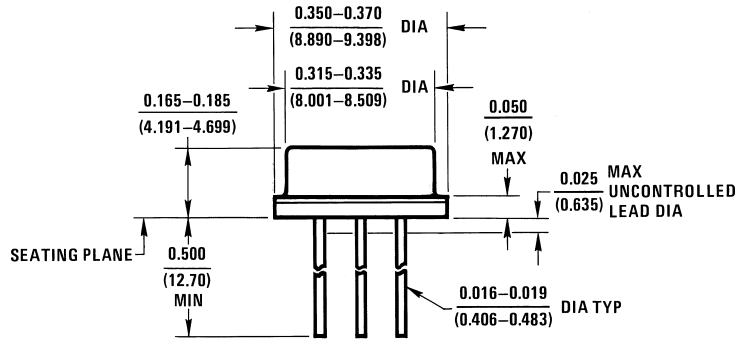
### Current Regulator



DS007138-6

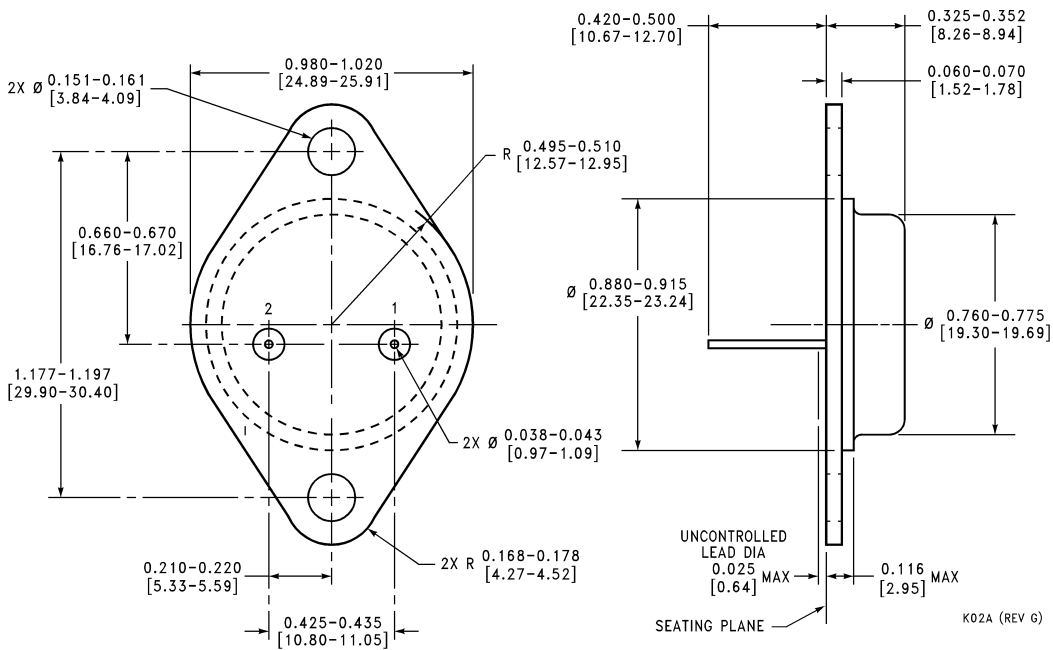
\*Determines output current. If wirewound resistor is used, bypass with 0.1 μF.

**Physical Dimensions** inches (millimeters) unless otherwise noted



H03A (REV B)

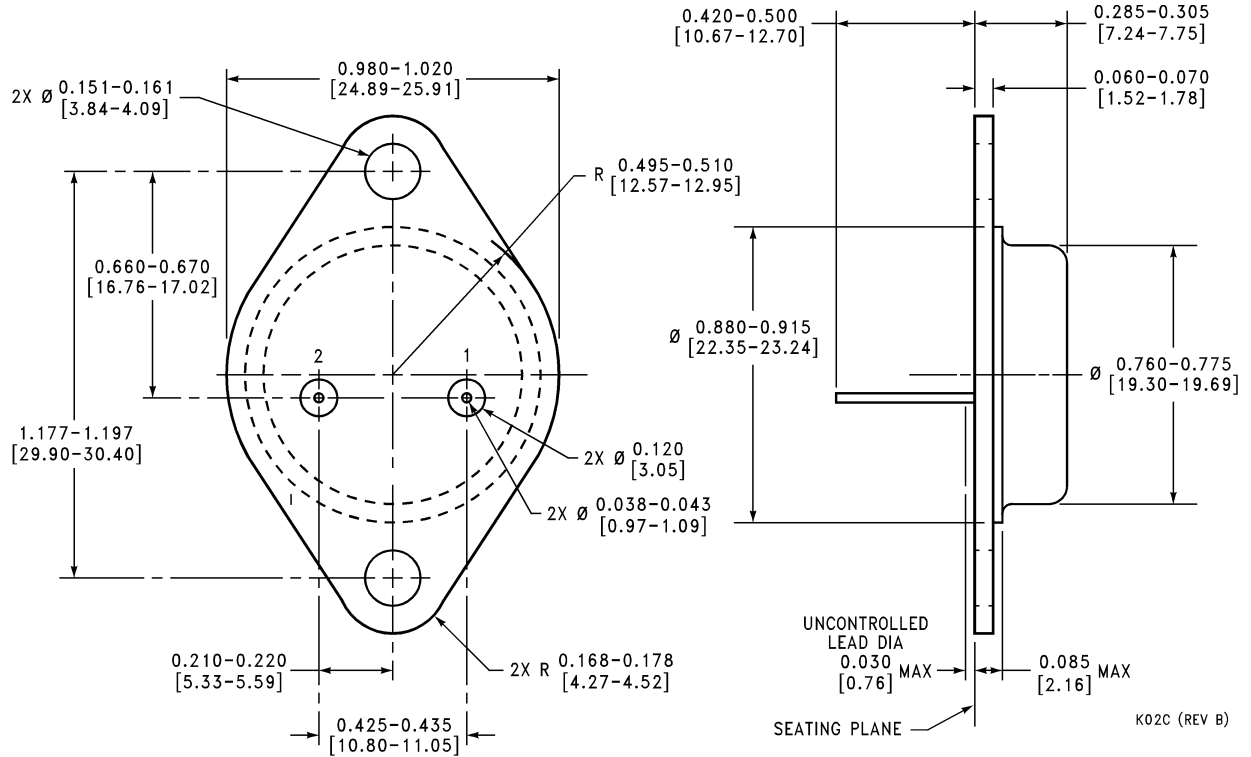
**Metal Can Package (H)**  
 Order Number LM109H, LM109H/883 or LM309H  
 NS Package Number H03A



**Metal Can Package (K)**  
 Order Number LM109K STEEL, LM309K STEEL  
 NS Package Number K02A



**Physical Dimensions** inches (millimeters) unless otherwise noted (Continued)



**Metal Can Package (K)**  
**Mil-Aero Product**  
**Order Number LM109K/883**  
**NS Package Number K02C**

**LIFE SUPPORT POLICY**

NATIONAL'S PRODUCTS ARE NOT AUTHORIZED FOR USE AS CRITICAL COMPONENTS IN LIFE SUPPORT DEVICES OR SYSTEMS WITHOUT THE EXPRESS WRITTEN APPROVAL OF THE PRESIDENT AND GENERAL COUNSEL OF NATIONAL SEMICONDUCTOR CORPORATION. As used herein:

1. Life support devices or systems are devices or systems which, (a) are intended for surgical implant into the body, or (b) support or sustain life, and whose failure to perform when properly used in accordance with instructions for use provided in the labeling, can be reasonably expected to result in a significant injury to the user.
2. A critical component is any component of a life support device or system whose failure to perform can be reasonably expected to cause the failure of the life support device or system, or to affect its safety or effectiveness.



**National Semiconductor Corporation**  
 Americas  
 Email: support@nsc.com

www.national.com

**National Semiconductor Europe**  
 Fax: +49 (0) 180-530 85 86  
 Email: europe.support@nsc.com  
 Deutsch Tel: +49 (0) 69 9508 6208  
 English Tel: +44 (0) 870 24 0 2171  
 Français Tel: +33 (0) 1 41 91 8790

**National Semiconductor Asia Pacific Customer Response Group**  
 Tel: 65-2544466  
 Fax: 65-2504466  
 Email: ap.support@nsc.com

**National Semiconductor Japan Ltd.**  
 Tel: 81-3-5639-7560  
 Fax: 81-3-5639-7507

**PACKAGING INFORMATION**

Orderable part number	Status (1)	Material type (2)	Package   Pins	Package qty   Carrier	RoHS (3)	Lead finish/ Ball material (4)	MSL rating/ Peak reflow (5)	Op temp (°C)	Part marking (6)
<a href="#">LM109H</a>	Active	Production	TO (NDT)   3	500   BULK	Yes	AU	Level-1-NA-UNLIM	-55 to 150	( LM109HP+, LM109H P+)
<a href="#">LM109H/NOPB</a>	Active	Production	TO (NDT)   3	500   BULK	Yes	AU	Level-1-NA-UNLIM	-55 to 150	( LM109HP+, LM109H P+)
LM109K	Active	Production	TO-3 (NDS)   2	50   TRAY NON-STD	No	Call TI	Call TI	-55 to 150	LM109K STEELP+
<a href="#">LM109K STEEL</a>	Active	Production	TO-3 (NDS)   2	50   TRAY NON-STD	No	Call TI	Call TI	-55 to 150	LM109K STEELP+
<a href="#">LM109K STEEL/NOPB</a>	Active	Production	TO-3 (NDS)   2	50   TRAY NON-STD	Yes	Call TI	Level-1-NA-UNLIM	-55 to 150	LM109K STEELP+
<a href="#">LM309H</a>	Active	Production	TO (NDT)   3	500   BULK	Yes	AU	Level-1-NA-UNLIM	0 to 125	( LM309HP+, LM309H P+)
<a href="#">LM309H/NOPB</a>	Active	Production	TO (NDT)   3	500   BULK	Yes	AU	Level-1-NA-UNLIM	0 to 125	( LM309HP+, LM309H P+)
<a href="#">LM309K STEEL</a>	Active	Production	TO-3 (NDS)   2	50   TRAY NON-STD	No	Call TI	Call TI	0 to 125	LM309K STEELP+
<a href="#">LM309K STEEL/NOPB</a>	Active	Production	TO-3 (NDS)   2	50   TRAY NON-STD	Yes	Call TI	Level-1-NA-UNLIM	0 to 125	LM309K STEELP+

(1) **Status:** For more details on status, see our [product life cycle](#).

(2) **Material type:** When designated, preproduction parts are prototypes/experimental devices, and are not yet approved or released for full production. Testing and final process, including without limitation quality assurance, reliability performance testing, and/or process qualification, may not yet be complete, and this item is subject to further changes or possible discontinuation. If available for ordering, purchases will be subject to an additional waiver at checkout, and are intended for early internal evaluation purposes only. These items are sold without warranties of any kind.

(3) **RoHS values:** Yes, No, RoHS Exempt. See the [TI RoHS Statement](#) for additional information and value definition.

(4) **Lead finish/Ball material:** Parts may have multiple material finish options. Finish options are separated by a vertical ruled line. Lead finish/Ball material values may wrap to two lines if the finish value exceeds the maximum column width.

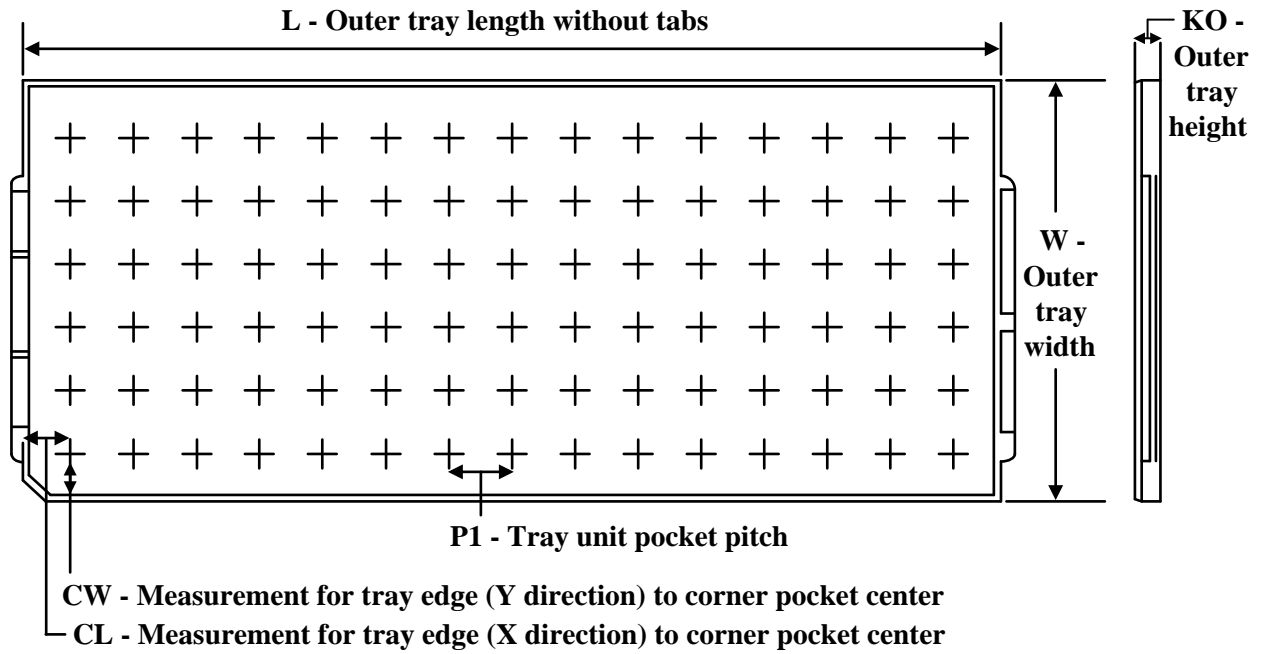
(5) **MSL rating/Peak reflow:** The moisture sensitivity level ratings and peak solder (reflow) temperatures. In the event that a part has multiple moisture sensitivity ratings, only the lowest level per JEDEC standards is shown. Refer to the shipping label for the actual reflow temperature that will be used to mount the part to the printed circuit board.

**(6) Part marking:** There may be an additional marking, which relates to the logo, the lot trace code information, or the environmental category of the part.

Multiple part markings will be inside parentheses. Only one part marking contained in parentheses and separated by a "-" will appear on a part. If a line is indented then it is a continuation of the previous line and the two combined represent the entire part marking for that device.

**Important Information and Disclaimer:**The information provided on this page represents TI's knowledge and belief as of the date that it is provided. TI bases its knowledge and belief on information provided by third parties, and makes no representation or warranty as to the accuracy of such information. Efforts are underway to better integrate information from third parties. TI has taken and continues to take reasonable steps to provide representative and accurate information but may not have conducted destructive testing or chemical analysis on incoming materials and chemicals. TI and TI suppliers consider certain information to be proprietary, and thus CAS numbers and other limited information may not be available for release.

In no event shall TI's liability arising out of such information exceed the total purchase price of the TI part(s) at issue in this document sold by TI to Customer on an annual basis.

**TRAY**


Chamfer on Tray corner indicates Pin 1 orientation of packed units.

\*All dimensions are nominal

Device	Package Name	Package Type	Pins	SPQ	Unit array matrix	Max temperature (°C)	L (mm)	W (mm)	K0 (µm)	P1 (mm)	CL (mm)	CW (mm)
LM109K	NDS	TO-CAN	2	50	9 X 6	NA	292.1	215.9	25654	3.87	22.3	25.4
LM109K STEEL	NDS	TO-CAN	2	50	9 X 6	NA	292.1	215.9	25654	3.87	22.3	25.4
LM109K STEEL/NOPB	NDS	TO-CAN	2	50	9 X 6	NA	292.1	215.9	25654	3.87	22.3	25.4
LM309K STEEL	NDS	TO-CAN	2	50	9 X 6	NA	292.1	215.9	25654	3.87	22.3	25.4
LM309K STEEL/NOPB	NDS	TO-CAN	2	50	9 X 6	NA	292.1	215.9	25654	3.87	22.3	25.4

## IMPORTANT NOTICE AND DISCLAIMER

TI PROVIDES TECHNICAL AND RELIABILITY DATA (INCLUDING DATASHEETS), DESIGN RESOURCES (INCLUDING REFERENCE DESIGNS), APPLICATION OR OTHER DESIGN ADVICE, WEB TOOLS, SAFETY INFORMATION, AND OTHER RESOURCES "AS IS" AND WITH ALL FAULTS, AND DISCLAIMS ALL WARRANTIES, EXPRESS AND IMPLIED, INCLUDING WITHOUT LIMITATION ANY IMPLIED WARRANTIES OF MERCHANTABILITY, FITNESS FOR A PARTICULAR PURPOSE OR NON-INFRINGEMENT OF THIRD PARTY INTELLECTUAL PROPERTY RIGHTS.

These resources are intended for skilled developers designing with TI products. You are solely responsible for (1) selecting the appropriate TI products for your application, (2) designing, validating and testing your application, and (3) ensuring your application meets applicable standards, and any other safety, security, regulatory or other requirements.

These resources are subject to change without notice. TI grants you permission to use these resources only for development of an application that uses the TI products described in the resource. Other reproduction and display of these resources is prohibited. No license is granted to any other TI intellectual property right or to any third party intellectual property right. TI disclaims responsibility for, and you fully indemnify TI and its representatives against any claims, damages, costs, losses, and liabilities arising out of your use of these resources.

TI's products are provided subject to [TI's Terms of Sale](#), [TI's General Quality Guidelines](#), or other applicable terms available either on [ti.com](#) or provided in conjunction with such TI products. TI's provision of these resources does not expand or otherwise alter TI's applicable warranties or warranty disclaimers for TI products. Unless TI explicitly designates a product as custom or customer-specified, TI products are standard, catalog, general purpose devices.

TI objects to and rejects any additional or different terms you may propose.

Copyright © 2025, Texas Instruments Incorporated

Last updated 10/2025