

DS14C335

Inter-Operation of the DS14C335 with +5V UARTs



Literature Number: SNLA163

Inter-Operation of the DS14C335 with +5V UARTs

National Semiconductor
 Application Note 876
 John Goldie
 Joe Vo
 January 1993



This application brief describes the inter-operation between the DS14C335 (+3.3V supply TIA/EIA-232 3 x 5 Driver/Receiver) and a +5V UART. The DS14C335, illustrated in Figure 1, is ideally suited for notebook and laptop computer applications which either employ one uniform +3.3V supply for all internal components or mixed +3.3V and +5V power supplies. In mixed supply applications, the DS14C335 does NOT require a +5V to +3.3V translator device between it and the UART. This application brief describes how this is accomplished.

Figure 2 illustrates a typical application where the DS14C335 provides the interface between the +5V UART

and the RS-232 port. The drivers provide translation from TTL/CMOS voltage levels on the driver input pins to RS-232 compliant driver output voltage levels ($>|5V|$), while the receivers accept standard RS-232 input levels and translate them back to TTL/CMOS compatible output voltage levels.

Because this application specifies a +5V UART, care must be taken to consider the characteristics of three pins on the DS14C335. They are the:

- D_{IN} Driver Input,
- SD Shutdown,
- R_{OUT} Receiver Output

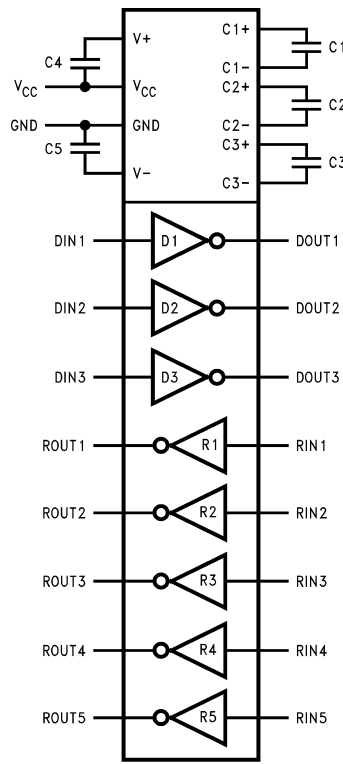


FIGURE 1. DS14C335 Functional Diagram

Inter-Operation of the DS14C335 with +5V UARTs

AN-876

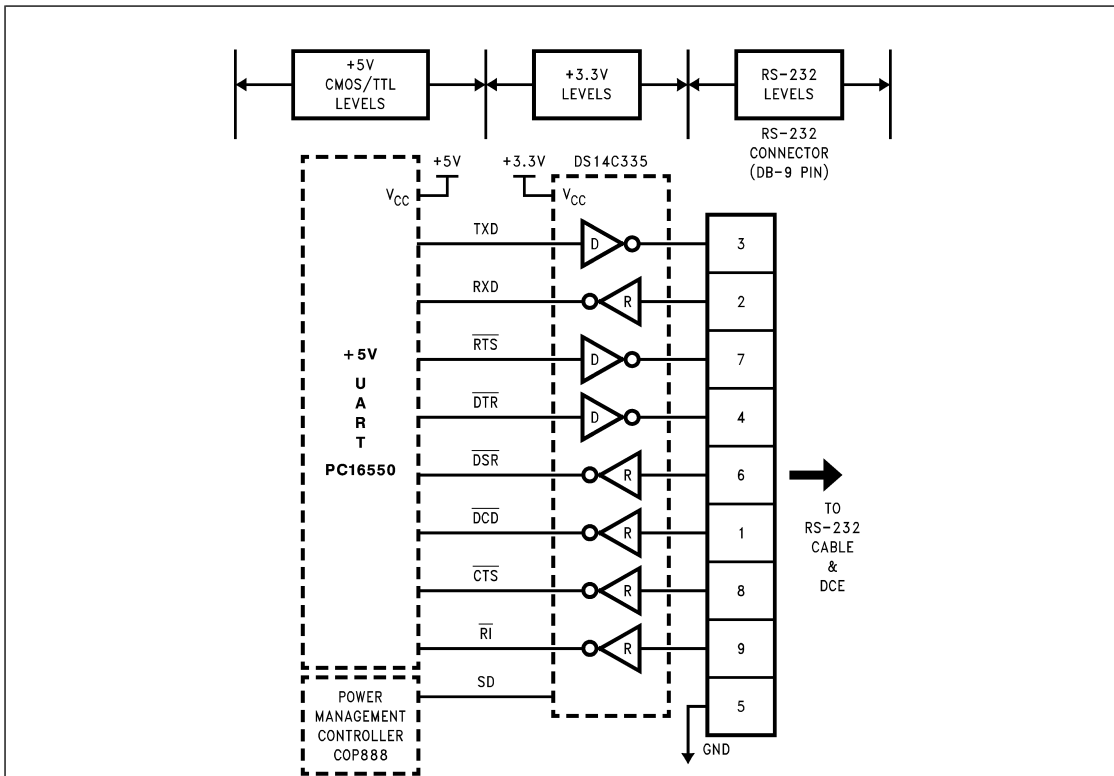


FIGURE 2. Typical Mixed Supply (3V/5V) DTE Application

Let us first examine the input structures of the D_{IN} and SD input pins, as these structures are very similar. The common circuitry is illustrated in Figure 3 and is composed of two input protection diodes (D1 and D2). In addition, a third diode (D3) exists between the V_{CC} and V+ pins and is normally reversed biased. Diode D1 is situated between the input (D_{IN} or SD) pin and GND to clamp negative input voltages. Diode D2 is situated between the input pin and the V+ pin. When the DS14C335 is active (ON), the V+ pin is typically greater than +9V. External charge pump capacitor C4, holds 6V of charge, and is referenced to the V_{CC} (+3.3V) pin. This creates a potential of greater than +9V on the V+ pin, and is used to power the driver outputs. The input pins (D_{IN} and SD) present standard input current loading to the driving device (UART) since D1 and D2 remain reversed biased between -0.3V and one diode above the V+ pin potential (typically greater than +9V).

The DS14C335 supports another unique feature that allows the CPU to disable the device to save power when RS-232 communication is not required. The DS14C335 is put into shutdown mode, by asserting the SD pin high. This disables the internal charge pump circuit, the drivers, and also 4 of the 5 receivers, dropping I_{CC} to typically 1.0 μ A (10 μ A maxi-

mum). One receiver remains active to monitor the Ring Indicator (RI) modem control line, to inform the CPU that a call is coming in from a remote site. In the shutdown mode, the charge pump is disabled, and the charge on C4 eventually drops to one diode below V_{CC} , or the input voltage, whichever is greater. If C4 has discharged to one diode below V_{CC} , and an input voltage is applied that is greater than V_{CC} , C4 will charge up to one diode below that level. However, no DC current flows between the input pin and the +3.3V supply. The D_{IN} and SD pins still present standard DC loading to the driving logic. Blocking diode D3 prevents a large DC current from flowing between the input pins and the +3.3V supply when the input pin is taken above the device's +3.3V (V_{CC}) power supply pin. This is the classical problem that can occur when directly interfacing a +5V device to some +3.3V devices. A minimal amount of noise is coupled onto the V_{CC} (+3.3V) supply rail if the driver input pin is switched (0V to 5V) while the DS14C335 is in the shutdown mode. However, the magnitude is small, and power supply bypassing capacitors effectively filter out the noise. To prevent noise from coupling onto the V_{CC} rail to begin with, simply hold the driver inputs at a V_{IL} (voltage input low), since with a V_{IL} applied both diodes (D1 and D2) will remain off.

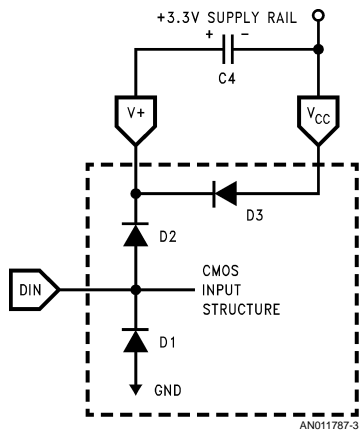


FIGURE 3. Input Protection Circuitry

This unique input structure allows the driver input pins and shutdown pin to accept any standard TTL/CMOS levels regardless of the DS14C335 mode (active or shutdown) or the fact that the DS14C335 is powered from a +3.3V power supply. The input pins (D_{IN} and SD) present standard loading to the driving logic with input voltages ranging from 0V to +5.5V, in magnitude.

The last pin of concern is the receiver output (R_{OUT}) pin. The R_{OUT} pin must have the drive capability to meet standard TTL/CMOS requirements. The $R_{OUT} V_{OH}$ is specified to be greater than 2.4V at 1 mA. This drive capability should meet all standard TTL/CMOS requirements.

SUMMARY

The DS14C335's unique input structure allows the driver input (D_{IN}) and shutdown (SD) pins to present standard steady state input loading to the driving logic. Valid input voltages can range from -0.3V to greater than +5.5V, thereby enabling the device to be driven by a +5V UART in applications that employ mixed power supplies. The high drive capability of the receiver output meets the requirements of +5V logic levels, or CMOS compliant JEDEC +3.3V levels. These features make the DS14C335 the optimal single chip solution for RS-232 serial ports in +3.3V/+5V or pure +3.3V power supply laptop and notebook computer applications.

LIFE SUPPORT POLICY

NATIONAL'S PRODUCTS ARE NOT AUTHORIZED FOR USE AS CRITICAL COMPONENTS IN LIFE SUPPORT DEVICES OR SYSTEMS WITHOUT THE EXPRESS WRITTEN APPROVAL OF THE PRESIDENT OF NATIONAL SEMICONDUCTOR CORPORATION. As used herein:

1. Life support devices or systems are devices or systems which, (a) are intended for surgical implant into the body, or (b) support or sustain life, and whose failure to perform when properly used in accordance with instructions for use provided in the labeling, can be reasonably expected to result in a significant injury to the user.
2. A critical component in any component of a life support device or system whose failure to perform can be reasonably expected to cause the failure of the life support device or system, or to affect its safety or effectiveness.



National Semiconductor Corporation
Americas
Tel: 1-800-272-9959
Fax: 1-800-737-7018
Email: support@nsc.com

www.national.com

National Semiconductor Europe
Fax: +49 (0) 1 80-530 85 86
Email: europe.support@nsc.com
Deutsch Tel: +49 (0) 1 80-530 85 85
English Tel: +49 (0) 1 80-532 78 32
Français Tel: +49 (0) 1 80-532 93 58
Italiano Tel: +49 (0) 1 80-534 16 80

National Semiconductor Asia Pacific Customer Response Group
Tel: 65-2544466
Fax: 65-2504466
Email: sea.support@nsc.com

National Semiconductor Japan Ltd.
Tel: 81-3-5620-6175
Fax: 81-3-5620-6179

IMPORTANT NOTICE

Texas Instruments Incorporated and its subsidiaries (TI) reserve the right to make corrections, modifications, enhancements, improvements, and other changes to its products and services at any time and to discontinue any product or service without notice. Customers should obtain the latest relevant information before placing orders and should verify that such information is current and complete. All products are sold subject to TI's terms and conditions of sale supplied at the time of order acknowledgment.

TI warrants performance of its hardware products to the specifications applicable at the time of sale in accordance with TI's standard warranty. Testing and other quality control techniques are used to the extent TI deems necessary to support this warranty. Except where mandated by government requirements, testing of all parameters of each product is not necessarily performed.

TI assumes no liability for applications assistance or customer product design. Customers are responsible for their products and applications using TI components. To minimize the risks associated with customer products and applications, customers should provide adequate design and operating safeguards.

TI does not warrant or represent that any license, either express or implied, is granted under any TI patent right, copyright, mask work right, or other TI intellectual property right relating to any combination, machine, or process in which TI products or services are used. Information published by TI regarding third-party products or services does not constitute a license from TI to use such products or services or a warranty or endorsement thereof. Use of such information may require a license from a third party under the patents or other intellectual property of the third party, or a license from TI under the patents or other intellectual property of TI.

Reproduction of TI information in TI data books or data sheets is permissible only if reproduction is without alteration and is accompanied by all associated warranties, conditions, limitations, and notices. Reproduction of this information with alteration is an unfair and deceptive business practice. TI is not responsible or liable for such altered documentation. Information of third parties may be subject to additional restrictions.

Resale of TI products or services with statements different from or beyond the parameters stated by TI for that product or service voids all express and any implied warranties for the associated TI product or service and is an unfair and deceptive business practice. TI is not responsible or liable for any such statements.

TI products are not authorized for use in safety-critical applications (such as life support) where a failure of the TI product would reasonably be expected to cause severe personal injury or death, unless officers of the parties have executed an agreement specifically governing such use. Buyers represent that they have all necessary expertise in the safety and regulatory ramifications of their applications, and acknowledge and agree that they are solely responsible for all legal, regulatory and safety-related requirements concerning their products and any use of TI products in such safety-critical applications, notwithstanding any applications-related information or support that may be provided by TI. Further, Buyers must fully indemnify TI and its representatives against any damages arising out of the use of TI products in such safety-critical applications.

TI products are neither designed nor intended for use in military/aerospace applications or environments unless the TI products are specifically designated by TI as military-grade or "enhanced plastic." Only products designated by TI as military-grade meet military specifications. Buyers acknowledge and agree that any such use of TI products which TI has not designated as military-grade is solely at the Buyer's risk, and that they are solely responsible for compliance with all legal and regulatory requirements in connection with such use.

TI products are neither designed nor intended for use in automotive applications or environments unless the specific TI products are designated by TI as compliant with ISO/TS 16949 requirements. Buyers acknowledge and agree that, if they use any non-designated products in automotive applications, TI will not be responsible for any failure to meet such requirements.

Following are URLs where you can obtain information on other Texas Instruments products and application solutions:

Products

Audio	www.ti.com/audio
Amplifiers	amplifier.ti.com
Data Converters	dataconverter.ti.com
DLP® Products	www.dlp.com
DSP	dsp.ti.com
Clocks and Timers	www.ti.com/clocks
Interface	interface.ti.com
Logic	logic.ti.com
Power Mgmt	power.ti.com
Microcontrollers	microcontroller.ti.com
RFID	www.ti-rfid.com
OMAP Mobile Processors	www.ti.com/omap
Wireless Connectivity	www.ti.com/wirelessconnectivity

Applications

Communications and Telecom	www.ti.com/communications
Computers and Peripherals	www.ti.com/computers
Consumer Electronics	www.ti.com/consumer-apps
Energy and Lighting	www.ti.com/energy
Industrial	www.ti.com/industrial
Medical	www.ti.com/medical
Security	www.ti.com/security
Space, Avionics and Defense	www.ti.com/space-avionics-defense
Transportation and Automotive	www.ti.com/automotive
Video and Imaging	www.ti.com/video

TI E2E Community Home Page

e2e.ti.com

Mailing Address: Texas Instruments, Post Office Box 655303, Dallas, Texas 75265
Copyright © 2011, Texas Instruments Incorporated