

# **OA-07 Current Feedback Op Amp Applications Circuit Guide**

---

## ABSTRACT

This application report illustrates design techniques utilizing current-feedback op amps and the practical circuits where they are used.

## Contents

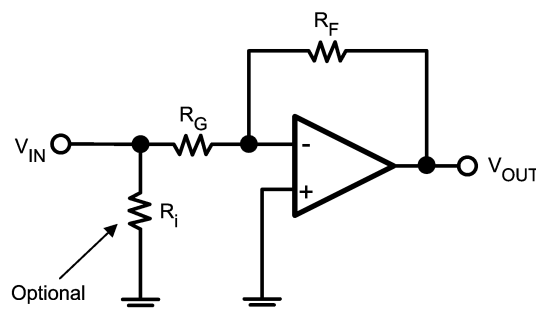
1	Introduction .....	2
2	Inverting Gain .....	2
3	Non-Inverting Gain .....	2
4	Summing Amplifier .....	3
5	Differential Amplifier .....	3
6	Differential Line Receiver .....	4
7	Coaxial Cable Driver .....	4
8	Distribution Amplifier .....	5
9	Driving Capacitive Loads .....	5
10	Output Current Booster .....	6
11	Simple Offset Adjustment .....	7
12	Composite Amplifier for Low Offset and Drift (#1) .....	8
13	Composite Amplifier for Low Offset and Drift (#2) .....	8
14	Non-Inverting Composite Amplifier .....	9
15	FET-Input Circuit .....	9
16	AC-coupled Amplifier (with Single-Supply Biasing) .....	10
17	Reducing Bandwidth .....	10
18	Adjustable Bandwidth .....	11
19	Reducing Frequency-Response Peaking .....	11
20	Adjustable Gain Using a FET .....	12
21	Adjustable Gain Using a Photoresistor .....	12
22	Integrator (#1) .....	13
23	Integrator (#2) .....	13
24	Integrator with Zero .....	14
25	Active Filter Circuits .....	15
26	Low-Pass Filter (10MHz, Q = 5) .....	15
27	High-Pass Filter (1MHz, Q = 2) .....	16
28	Band-Pass Filter (40MHz, Q = 4) .....	17
29	Band-Stop Filter (4MHz, Q = 4) .....	18
30	Photodiode Amplifier .....	18
31	D/A Converted Buffer Amplifier .....	19
32	Tunnel Diode Detector Amplifier .....	19
33	Non-Linear Transfer Functions .....	20
34	Peak Detector .....	21
35	References .....	21

## 1 Introduction

No two high-speed applications are the same – or at least it seems that way. Nonetheless, while every system has its particular requirements, many of the design techniques are common among different designs. The circuits should work well with any Comlinear op amp, if appropriate adjustments are made for different feedback resistance values.

## 2 Inverting Gain

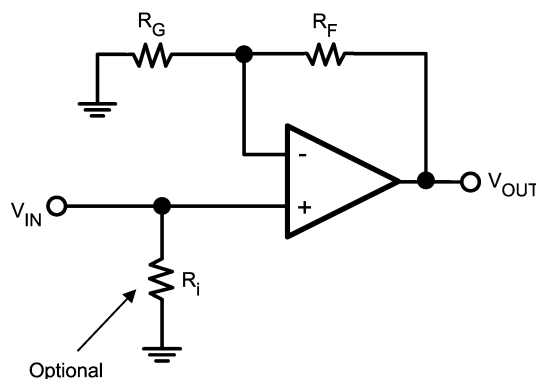
As with voltage-feedback op amps, the ratio of the feedback resistor to the gain-setting resistor determines the voltage gain in current-feedback op amp circuits. With current feedback, however, dynamic performance is largely independent of the voltage gain. (See *AN-300 Simple Circuit Detects Loss of 4-20 mA Signal* ([SNOA605](#)) for a technical discussion of current-feedback.) Also, the optimum feedback resistor value for a current-feedback op amp is indicated in the datasheet.



$$V_{OUT} = \frac{R_F}{R_G} V_{IN}$$

For input impedance of 50Ω,  
select  $R_i \parallel R_G$  equal to 50Ω

## 3 Non-Inverting Gain

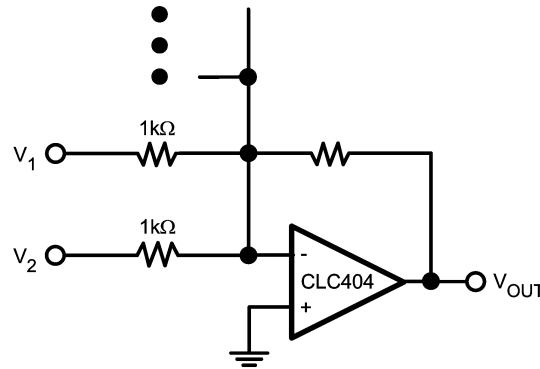


$$V_{OUT} = \left(1 + \frac{R_F}{R_G}\right) V_{IN}$$

$R_i$  set the input impedance.

#### 4 Summing Amplifier

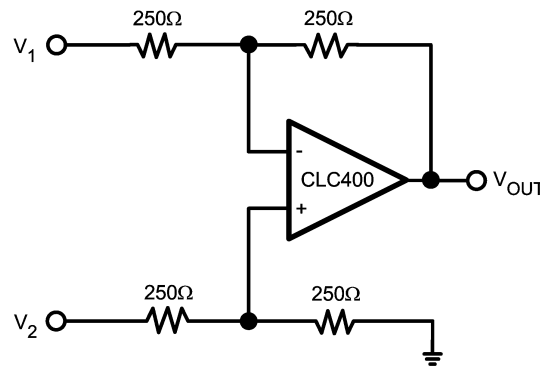
Current-feedback op amps are the natural choice in summing applications since the bandwidth and other key specs are relatively unaffected by high gain setting. (The parallel combination of all the input resistors yields a small effective gain-setting resistance and hence a large effective gain setting.)



$$V_{OUT} = -(V_1 + V_2 \dots)$$

#### 5 Differential Amplifier

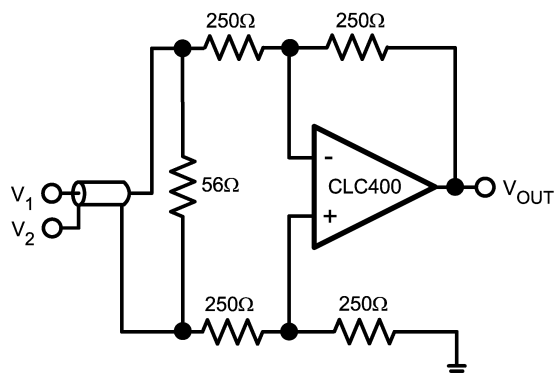
Be sure to obey common-mode input voltage limits shown in the op amp datasheet. If large, saturating input signals are expected, use an overdrive-protected op amp and appropriate protection circuitry.



$$V_{OUT} = (V_2 - V_1)$$

## 6 Differential Line Receiver

This circuit provides good common mode rejection and 50Ω termination for signals which need to be transmitted through coaxial lines.

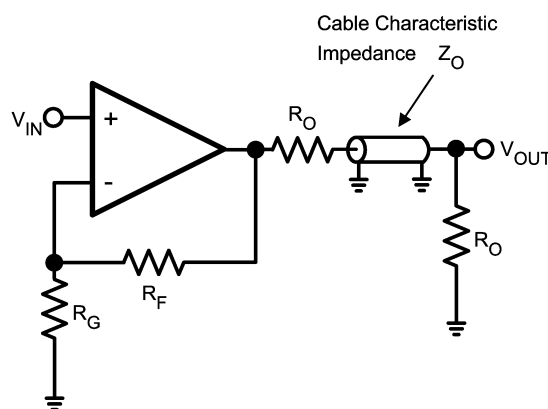


$$V_{OUT} = (V_2 - V_1)$$

Differential input resistance is 50Ω

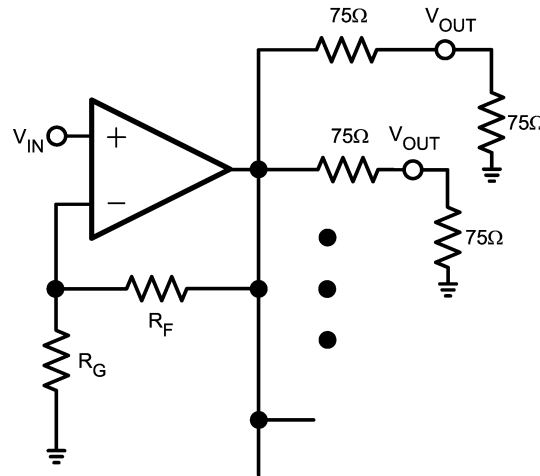
## 7 Coaxial Cable Driver

Proper transmission line driving techniques are important when high-speed signals have to travel more than a few inches. The back-matching and terminating resistor,  $R_O$ , are chosen to match the characteristic impedance of the coaxial line. If the load is well-matched to the transmission line impedance, the back-matching resistor may be omitted for greater voltage swing. (Remember that back matching creates a voltage divider which attenuates the output signal by 50%.)



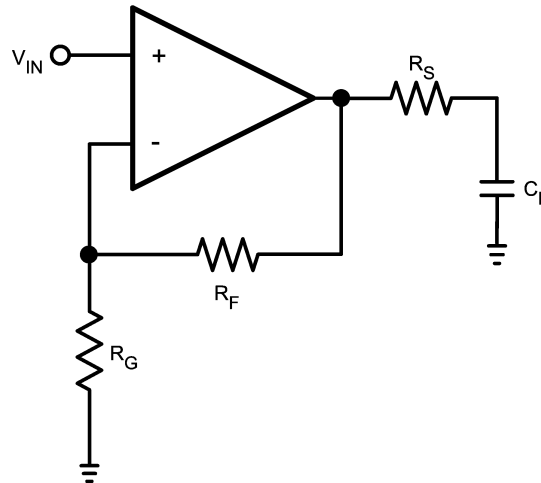
$$R_O = Z_O$$

## 8 Distribution Amplifier



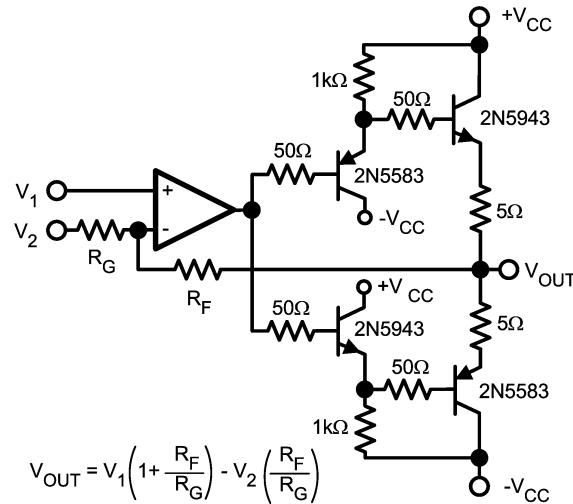
## 9 Driving Capacitive Loads

The damping resistor,  $R_S$ , reduces pulse-response overshoot and frequency-response peaking caused by the load capacitance. The value of  $R_S$  may be found on some of the op amp datasheet or may be found experimentally.



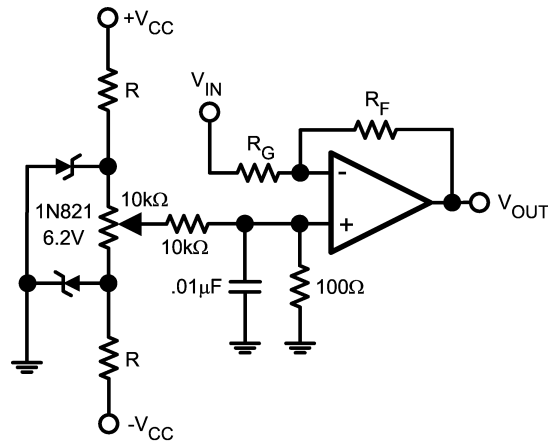
## 10 Output Current Booster

This circuit provides up to 400mA of output current. Since the output buffer circuit introduces additional phase lag, the feedback resistor,  $R_F$ , may have to be increased above the datasheet recommendation to decrease loop gain and thus improve stability. The gain-setting resistor,  $R_G$ , is then chosen for the desired gain.

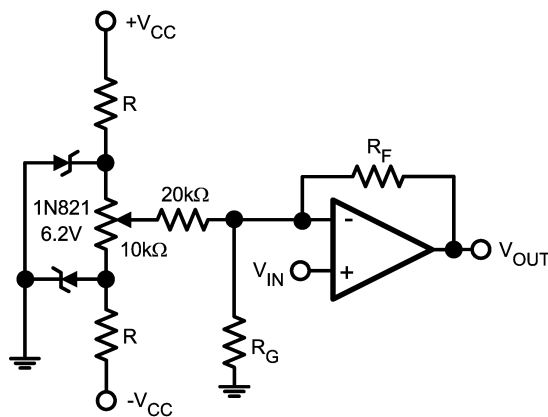


## 11 Simple Offset Adjustment

The Zener diode biasing resistor, R, should be chosen to provide a diode current of 7.5mA.



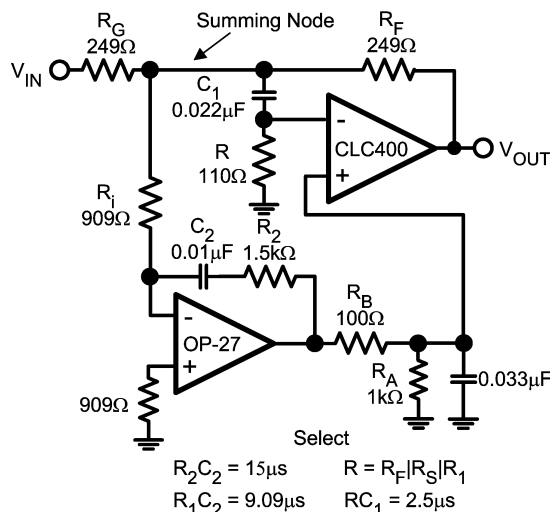
Inverting



Non-Inverting

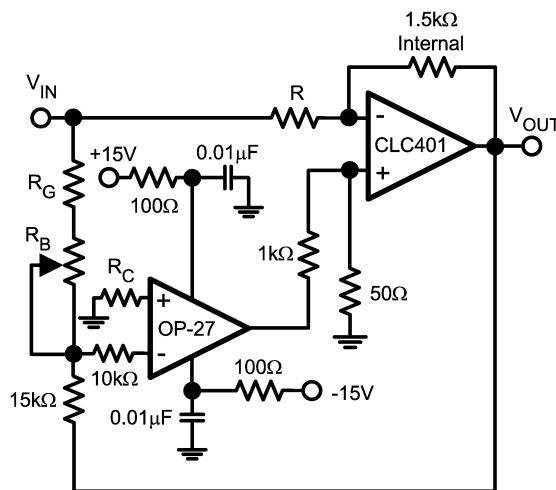
### 12 Composite Amplifier for Low Offset and Drift (#1)

This composite circuit provides both high speed and good DC performance and unlike most composite circuits, it provides good settling performance (17ns to 0.1%). In operation, the OP-27 op amp drives its output such that the summing node is driven to 0V (which is the normal case for an inverting gain circuits). Thus, the circuit output takes on the high performance DC characteristics of the OP-27. At high frequencies, the high-speed op amp takes over to provide good AC performance.



### 13 Composite Amplifier for Low Offset and Drift (#2)

This composite circuit is useful with those products which have the feedback resistor connected internally to both the input and output.  $R_B$  is adjusted for minimum output voltage at the OP-27 when  $V_{OUT}$  is a 70kHz square wave of 10V<sub>pp</sub> centered at 0V.



$$V_{OUT} = -\left(\frac{1500}{R}\right) V_{IN}$$

$$R_A \cong 9.5R$$

$$R_B \cong 0.5R$$

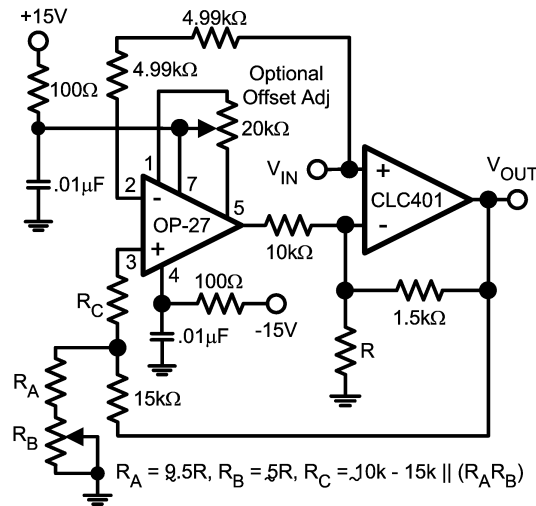
$$R_C \cong 10K - 15K \parallel (R_A + R_B)$$

(1)



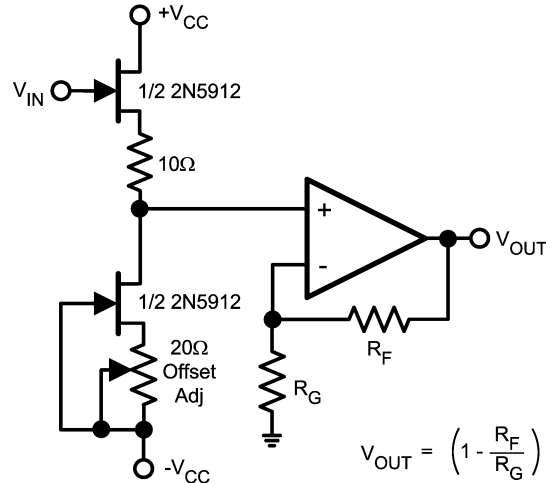
### 14 Non-Inverting Composite Amplifier

As with the previous circuit,  $R_B$  is chosen for minimum output voltage at the OP-27 when  $V_{OUT}$  is a 70kHz square wave of 10V<sub>pp</sub> center at 0V.



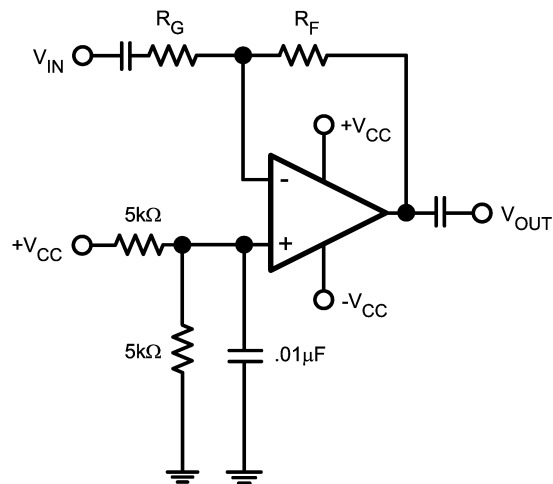
### 15 FET-Input Circuit

A FET-input circuit is useful when a greater input impedance is desired or when bias currents or noise current need to be reduced.



## 16 AC-coupled Amplifier (with Single-Supply Biasing)

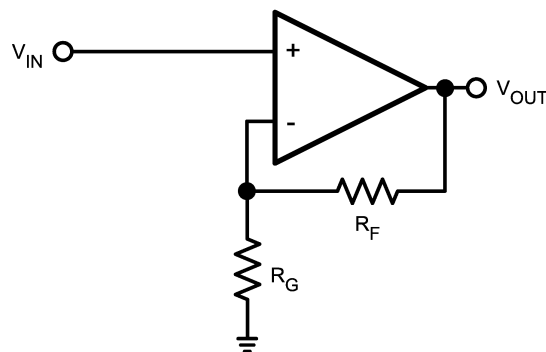
The voltage divider circuit at the non-inverting input biases the op amp input and output at the supply midpoint. For those op amps having a bias pin, these pins should also connect to the supply midpoint bias circuit.



## 17 Reducing Bandwidth

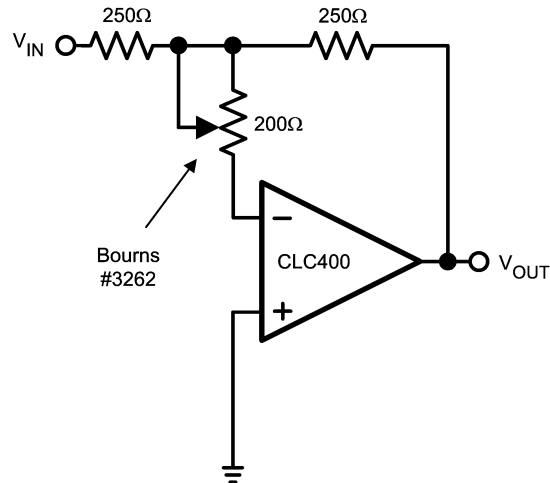
Bandwidth and loop stability is controlled by  $R_F$ . Increasing  $R_F$  reduces bandwidth according to the approximate relationship:

$$\frac{BW_2}{BW_1} \cong \frac{R_{F1}}{R_{F2}}$$



## 18 Adjustable Bandwidth

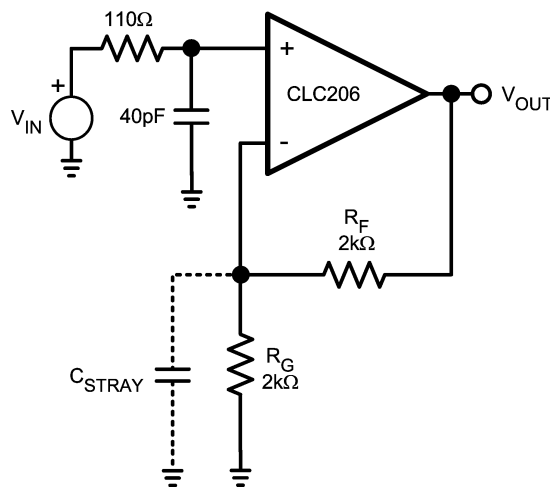
By increasing the inverting input impedance (which is normally very low) of a current feedback op amp, the bandwidth of the op amp can be reduced. The bandwidth of the circuit below can be varied over a range of 60MHz to 160MHz.



## 19 Reducing Frequency-Response Peaking

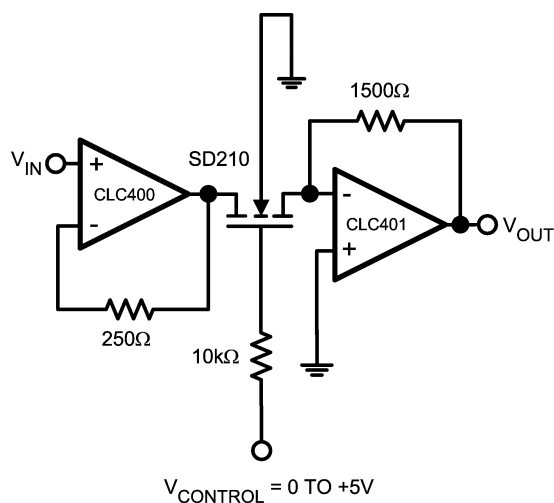
(due to stray capacitance in parallel with  $R_G$ )

The low-pass filter at the non-inverting input cancels the frequency-response zero caused by  $C_{STRAY}$ . At low non-inverting gains, the CLC231 or CLC400 will provide a flatter frequency response without the need for the low-pass filter (because they can be used with lower feedback resistor values).



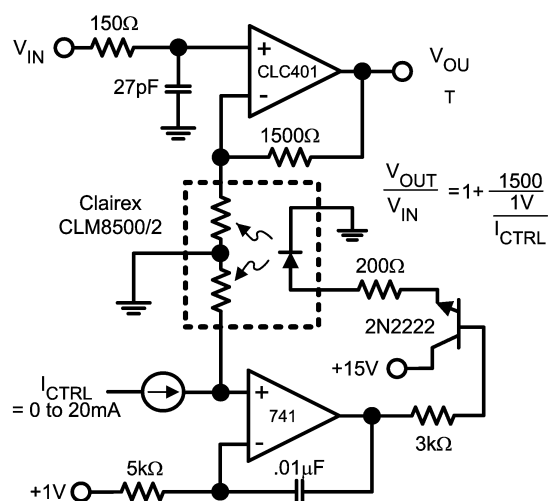
## 20 Adjustable Gain Using a FET

This circuit provides a 26dB adjustment range and a gain flatness of 1dB from DC to 50MHz. An SD210 FET provides low on-resistance with minimal capacitive loading.



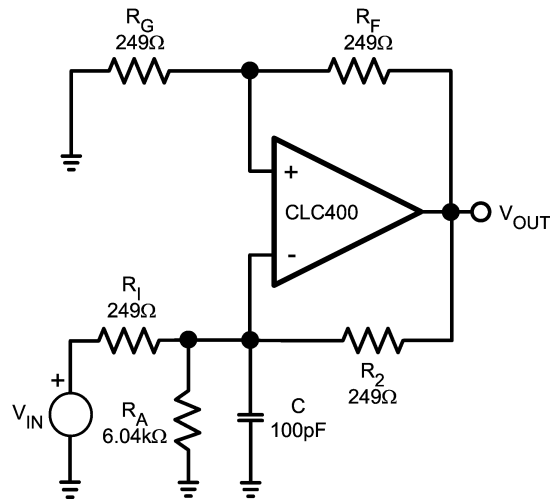
## 21 Adjustable Gain Using a Photoresistor

This circuit provides a 12dB adjustment range and a gain flatness of 1dB from DC to 20MHz. The 741 circuit improves temperature stability and repeatability of the photoresistor circuit.



## 22 Integrator (#1)

With current-feedback op amps, it is importance to keep large capacitance values out of the inverting feedback loop in order to maintain stability.



For stable operation,

$$\frac{R_2}{R_1 \parallel R_A} \geq \frac{R_F}{R_G}$$

All resistors are 1%

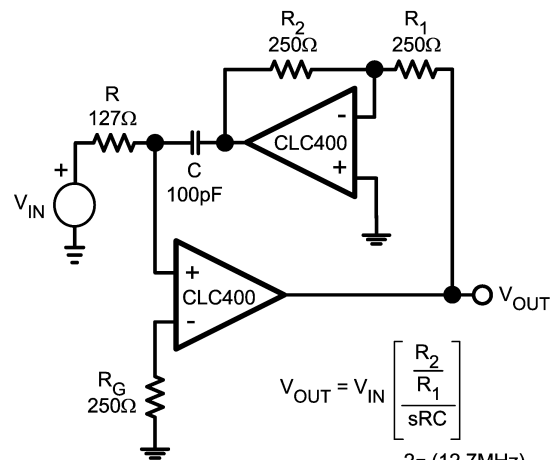
$$V_{OUT} = V_{IN} \left[ 1 + \frac{R_F}{R_G} \right] \frac{1}{sR_1C}$$

$$V_{OUT} \sim V_{IN} \frac{2\pi (12.8\text{MHz})}{s}$$

(2)

## 23 Integrator (#2)

This integrator provides higher DC gain than #1. For values shown, the DC gain is 55dB. Higher values can be obtained by reducing  $R_G$ , however, the ratio of  $R_G$  to  $R_1$  should remain constant for adequate loop stability. Much of the output noise is directly proportional to  $R_1$  so that the higher DC gain is obtained at the expense of higher noise. This circuit does not have the stability problem that is related to resistor matching as does integrator #1.

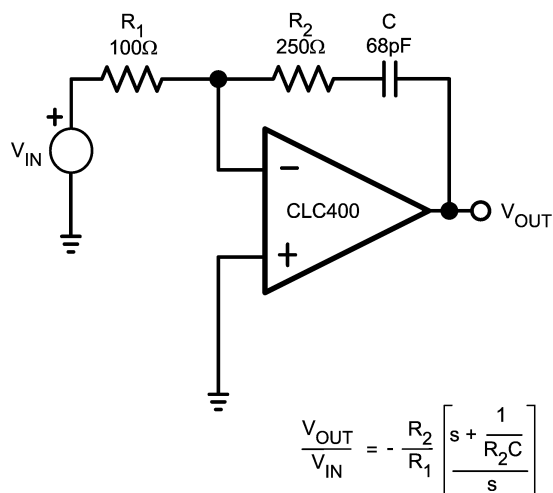


$$V_{OUT} = V_{IN} \left[ \frac{R_2}{R_1} \right] \frac{1}{sRC}$$

$$V_{OUT} \approx V_{IN} \frac{2\pi (12.7\text{MHz})}{s}$$

## 24 Integrator with Zero

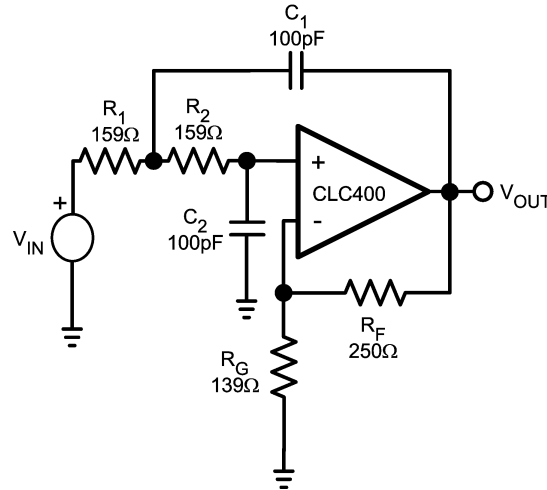
In this circuit, feedback capacitance is acceptable because the op amp relies upon the value of the feedback resistor for stability.



## 25 Active Filter Circuits

The following five circuits illustrate how current feedback op amps provide high-performance active filter functions. The "KRC" realization is used (see Section 35) since it does not require reactive elements in the (negative) feedback path, which would compromise stability. When the filter cutoff frequency is small relative to the amplifier bandwidth, the transfer functions shown will provide good accuracy. However, as with any active filter circuit, the group delay through the op amp becomes significant for cutoff frequencies greater than about 10% of the op amp bandwidth. For such designs, computer analysis tools and an iterative design approach is helpful.

### 26 Low-Pass Filter (10MHz, Q = 5)



$$\frac{V_{OUT}}{V_{IN}} = \frac{s \frac{K_0}{R_1 C_1}}{s^2 + s \left( \frac{1}{R_1 C_1} + \frac{1}{R_3 C_2} + \frac{1}{R_3 C_1} + \frac{1 - K_0}{R_2 C_1} \right) + \frac{R_1 + R_2}{R_1 R_2 R_3 C_1 C_2}}$$

$$K_0 = 1 + \frac{R_F}{R_G} \quad \omega_0^2 = \frac{1}{R_1 R_2 C_1 C_2}$$

$$Q = \frac{1}{\sqrt{\frac{R_1 C_2}{R_2 C_1}} + \sqrt{\frac{R_2 C_2}{R_1 C_1}} + (1 - K_0) \sqrt{\frac{R_1 C_1}{R_2 C_2}}}$$

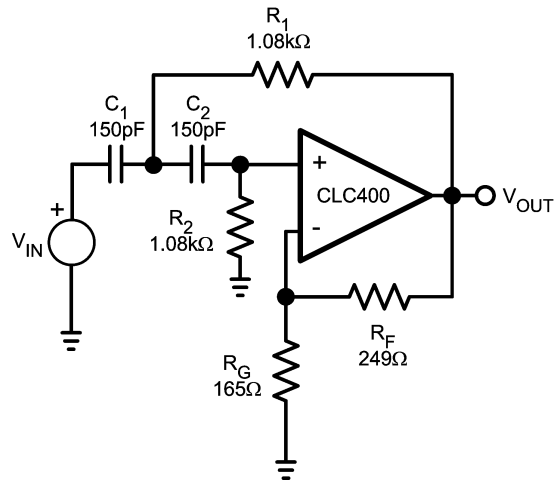
$$R_1 = R_3 = R, \quad C_1 = C_2 = C:$$

$$\omega_0 = \frac{\sqrt{2}}{RC}$$

$$Q = \frac{\sqrt{2}}{4 - K_0}$$

(3)

## 27 High-Pass Filter (1MHz, Q = 2)



$$\frac{V_{OUT}}{V_{IN}} = \frac{K_0 s^2}{s^2 + s \left( \frac{1}{R_2} \left( \frac{1}{C_1} + \frac{1}{C_2} \right) + \frac{1 - K_0}{R_1 C_1} \right) + \frac{1}{R_1 R_2 C_1 C_2}}$$

$$K_0 = 1 + \frac{R_F}{R_G} \quad \omega_0^2 = \frac{1}{R_1 R_2 C_1 C_2} \quad \left| \quad R_1 = R_3 = R, \quad C_1 = C_2 = C \right.$$

$$Q = \frac{1}{\sqrt{\frac{R_1}{R_2} \left( \sqrt{\frac{C_2}{C_1}} + \sqrt{\frac{C_1}{C_2}} \right) + \sqrt{\frac{R_2 C_2}{R_1 C_1}} (1 - K_0)}} \quad \omega_0 = \frac{1}{RC}$$

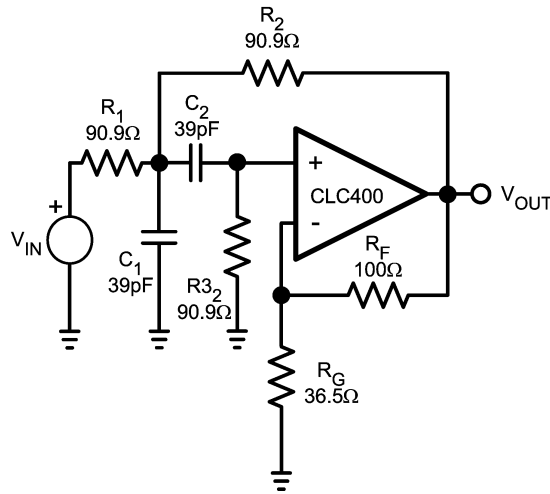
$$Q = \frac{1}{3 - K_0}$$

(4)



**28 Band-Pass Filter (40MHz, Q = 4)**

The component values shown are "predistorted" from the nominal design values to account for the 1.6ns op amp group delay, which is significant relative to the filter cutoff frequency.



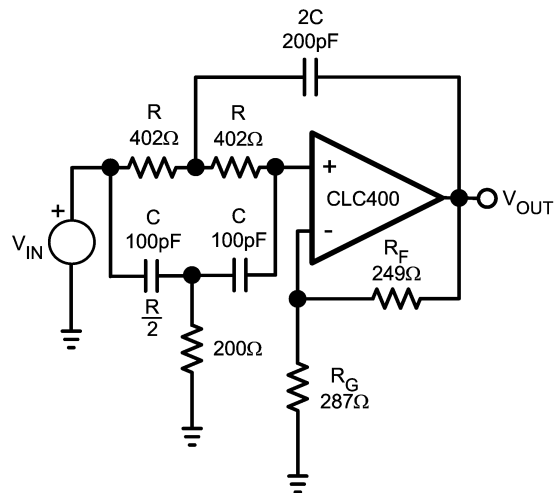
$$\frac{V_{OUT}}{V_{IN}} = \frac{s \frac{K_0}{R_1 C_1}}{s^2 + s \left( \frac{1}{R_1 C_1} + \frac{1}{R_3 C_2} + \frac{1}{R_3 C_1} + \frac{1-K_0}{R_2 C_1} \right) + \frac{R_1 + R_2}{R_1 R_2 R_3 C_1 C_2}}$$

$$K_0 = 1 + \frac{R_F}{R_G} \quad \omega_0^2 = \frac{R_1 + R_2}{R_1 R_2 R_3 C_1 C_2} \quad \left| \quad R_1 = R_3 = R, \quad C_1 = C_2 = C: \right.$$

$$Q = \frac{\sqrt{\frac{R_2 C_1 (R_1 + R_2)}{R_1 R_3 C_2}}}{1 + \frac{R_1}{R_2} + \frac{R_2}{R_3} \left( 1 + \frac{C_1}{C_2} \right) - K_0} \quad \left. \begin{aligned} \omega_0 &= \frac{\sqrt{2}}{RC} \\ Q &= \frac{\sqrt{2}}{4 - K_0} \end{aligned} \right.$$

(5)

## 29 Band-Stop Filter (4MHz, Q = 4)



$$\frac{V_{OUT}}{V_{IN}} = \frac{K_0 \left( s^2 + \frac{1}{R^2 C^2} \right)}{s^2 + 2 \frac{s}{RC} (2 - K_0) + \frac{1}{R^2 C^2}}$$

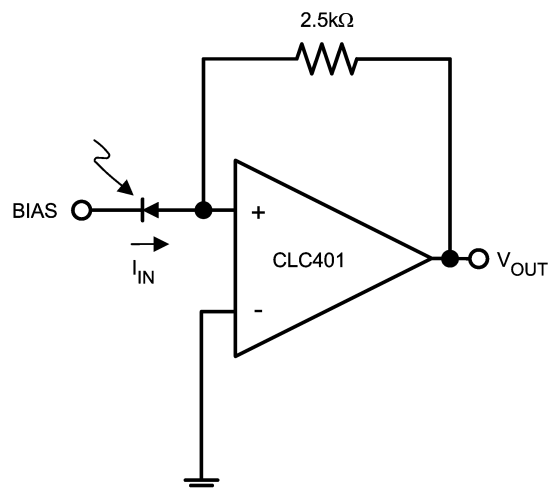
$$K_0 = 1 + \frac{R_F}{R_G} \quad \omega_{0POLE}^2 = \omega_{0ZERO}^2 = \frac{1}{R^2 C^2}$$

$$Q_{POLE} = \frac{1}{2(2 - K_0)}$$

(6)

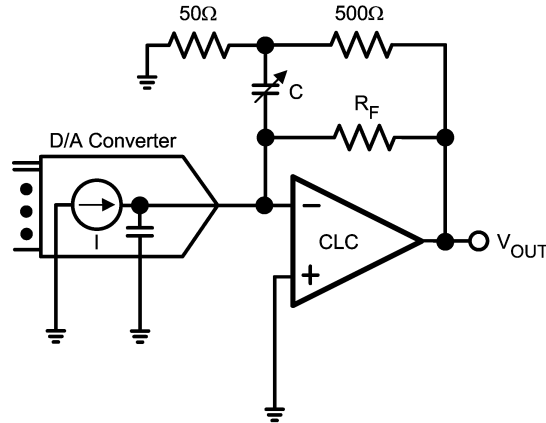
## 30 Photodiode Amplifier

The circuit below provides a transimpedance gain of  $-2.5k\Omega$  to convert the photodiode current into a voltage.



### 31 D/A Converted Buffer Amplifier

Most high-speed, current-output D/A converters provide the best performance when driving little or no load impedance. The circuit below meets this requirement while also providing a transimpedance gain that converts the D/A output current into a Voltage. The variable capacitor in the feedback loop should be adjusted for desired pulse response to compensate for the D/A output capacitance, which otherwise caused frequency-response peaking or instability. The 50Ω and 500Ω resistors reduce the effective value of the feedback capacitance so that a reasonable value capacitor may be used.

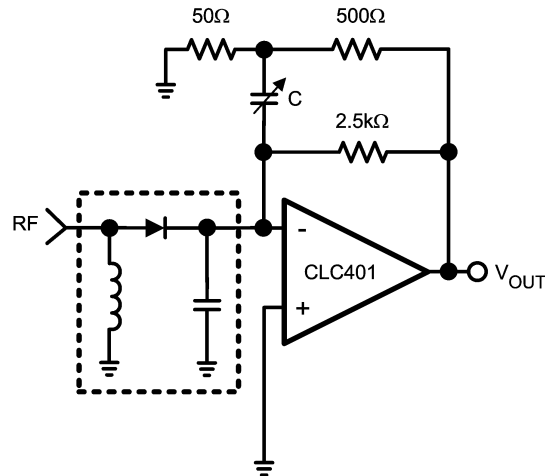


$$V_{OUT} = - I R_F$$

For example, with the CLC401,  $R_F = 2.5k\Omega$  and a D/A output capacitance of 20pF,  $C \cong 5pF$ .

### 32 Tunnel Diode Detector Amplifier

See the D/A converter buffer circuit for circuit highlights.

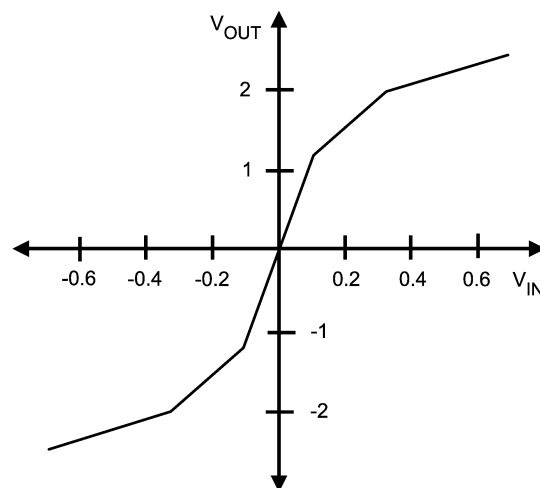
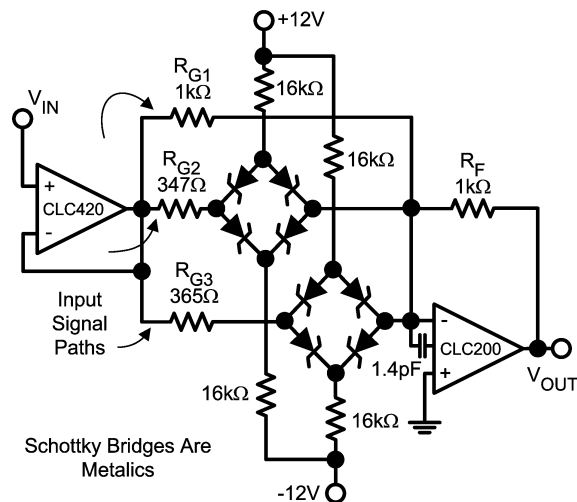


### 33 Non-Linear Transfer Functions

Current-feedback op amps are particularly useful in non-linear transfer function circuits. Since bandwidth and other key specifications are independent of gain—the dynamic performance is relatively independent of signal level.

In analyzing the circuit, it is useful to identify the three input signal paths that contribute to the output voltage (the  $1\text{k}\Omega$  resistor and the two diode bridges). Each of these paths terminates at the inverting input—a point that is at virtual ground. Due to feedback, the current through the feedback resistor is equal to the sum of these input currents. The output voltage, therefore, is the product of the feedback resistor and the sum of the input current.

The individual input currents are equal to the input voltage divided by the respective gain-setting resistor. However, in the signal paths containing the bridges, the current follows this linear relationship until it limits at  $12\text{V}/16\text{k}\Omega$ . This is what leads to the non-linear gain. A more accurate analysis requires that the diode bulk and dynamic resistance be included.

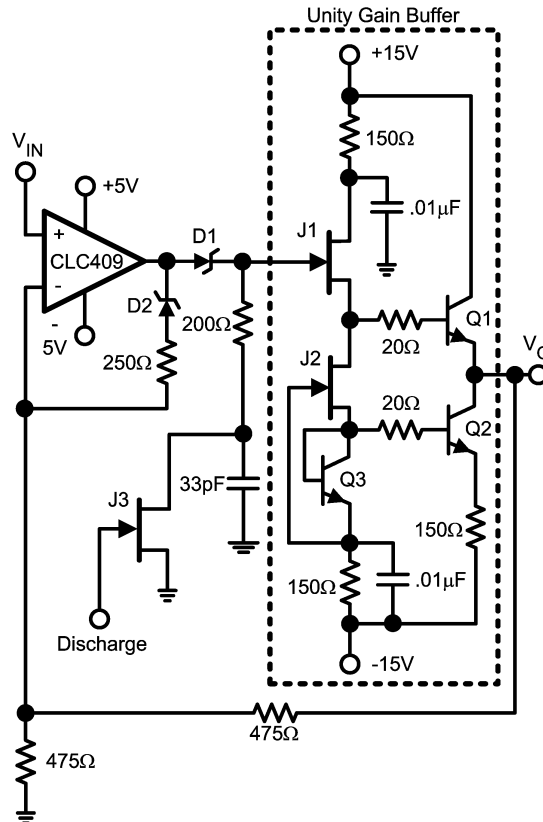


### 34 Peak Detector

The circuit shown in the next column can capture 50ns pulses over a 20mV to 1.5V input range. The circuit consists of three basic blocks: the op amp and diodes, the storage capacitor and discharge circuit, and the unity-gain buffer. The peak detecting action is caused by the conduction or non-conduction of the two diodes in the feedback loop.

When  $V_{OUT} > V_{IN}$ , the op amp output swings in the negative direction until D2 conducts and the feedback path is completed and the op amp does not saturate.

When  $V_{OUT} < V_{IN}$ , the op amp swings in the positive direction causing D1 to conduct and the storage capacitor voltage to be charge through the 200Ω isolating resistor. This action continues until  $V_{OUT} > V_{IN}$  and equilibrium is established.



50ns pulses over a 20mV to 1.5V input range.

D1, 2	1N5711
Q1, 2, 3	MPSH10
J1, 2	2N5911
J3	2N4391

(7)

### 35 References

1. A. Budak, *Passive and Active Network Analysis and Synthesis*, Houghton Mifflin Company, Boston, 1974.
2. IEEE Transactions on Circuits and Systems, Volume CAS-27, "Optimum Configurations for Single Amplifier Biquadratic Filters," number 12, pages 1155-1163, December 1980.

**Note:** The circuits included in this application report have been tested with Texas Instruments parts that may have been obsoleted and/or replaced with newer products. Please refer to the CLC to LMH conversion table to find the appropriate replacement part for the obsolete device.

## IMPORTANT NOTICE

Texas Instruments Incorporated and its subsidiaries (TI) reserve the right to make corrections, enhancements, improvements and other changes to its semiconductor products and services per JESD46, latest issue, and to discontinue any product or service per JESD48, latest issue. Buyers should obtain the latest relevant information before placing orders and should verify that such information is current and complete. All semiconductor products (also referred to herein as "components") are sold subject to TI's terms and conditions of sale supplied at the time of order acknowledgment.

TI warrants performance of its components to the specifications applicable at the time of sale, in accordance with the warranty in TI's terms and conditions of sale of semiconductor products. Testing and other quality control techniques are used to the extent TI deems necessary to support this warranty. Except where mandated by applicable law, testing of all parameters of each component is not necessarily performed.

TI assumes no liability for applications assistance or the design of Buyers' products. Buyers are responsible for their products and applications using TI components. To minimize the risks associated with Buyers' products and applications, Buyers should provide adequate design and operating safeguards.

TI does not warrant or represent that any license, either express or implied, is granted under any patent right, copyright, mask work right, or other intellectual property right relating to any combination, machine, or process in which TI components or services are used. Information published by TI regarding third-party products or services does not constitute a license to use such products or services or a warranty or endorsement thereof. Use of such information may require a license from a third party under the patents or other intellectual property of the third party, or a license from TI under the patents or other intellectual property of TI.

Reproduction of significant portions of TI information in TI data books or data sheets is permissible only if reproduction is without alteration and is accompanied by all associated warranties, conditions, limitations, and notices. TI is not responsible or liable for such altered documentation. Information of third parties may be subject to additional restrictions.

Resale of TI components or services with statements different from or beyond the parameters stated by TI for that component or service voids all express and any implied warranties for the associated TI component or service and is an unfair and deceptive business practice. TI is not responsible or liable for any such statements.

Buyer acknowledges and agrees that it is solely responsible for compliance with all legal, regulatory and safety-related requirements concerning its products, and any use of TI components in its applications, notwithstanding any applications-related information or support that may be provided by TI. Buyer represents and agrees that it has all the necessary expertise to create and implement safeguards which anticipate dangerous consequences of failures, monitor failures and their consequences, lessen the likelihood of failures that might cause harm and take appropriate remedial actions. Buyer will fully indemnify TI and its representatives against any damages arising out of the use of any TI components in safety-critical applications.

In some cases, TI components may be promoted specifically to facilitate safety-related applications. With such components, TI's goal is to help enable customers to design and create their own end-product solutions that meet applicable functional safety standards and requirements. Nonetheless, such components are subject to these terms.

No TI components are authorized for use in FDA Class III (or similar life-critical medical equipment) unless authorized officers of the parties have executed a special agreement specifically governing such use.

Only those TI components which TI has specifically designated as military grade or "enhanced plastic" are designed and intended for use in military/aerospace applications or environments. Buyer acknowledges and agrees that any military or aerospace use of TI components which have **not** been so designated is solely at the Buyer's risk, and that Buyer is solely responsible for compliance with all legal and regulatory requirements in connection with such use.

TI has specifically designated certain components as meeting ISO/TS16949 requirements, mainly for automotive use. In any case of use of non-designated products, TI will not be responsible for any failure to meet ISO/TS16949.

### Products

Audio	<a href="http://www.ti.com/audio">www.ti.com/audio</a>
Amplifiers	<a href="http://amplifier.ti.com">amplifier.ti.com</a>
Data Converters	<a href="http://dataconverter.ti.com">dataconverter.ti.com</a>
DLP® Products	<a href="http://www.dlp.com">www.dlp.com</a>
DSP	<a href="http://dsp.ti.com">dsp.ti.com</a>
Clocks and Timers	<a href="http://www.ti.com/clocks">www.ti.com/clocks</a>
Interface	<a href="http://interface.ti.com">interface.ti.com</a>
Logic	<a href="http://logic.ti.com">logic.ti.com</a>
Power Mgmt	<a href="http://power.ti.com">power.ti.com</a>
Microcontrollers	<a href="http://microcontroller.ti.com">microcontroller.ti.com</a>
RFID	<a href="http://www.ti-rfid.com">www.ti-rfid.com</a>
OMAP Applications Processors	<a href="http://www.ti.com/omap">www.ti.com/omap</a>
Wireless Connectivity	<a href="http://www.ti.com/wirelessconnectivity">www.ti.com/wirelessconnectivity</a>

### Applications

Automotive and Transportation	<a href="http://www.ti.com/automotive">www.ti.com/automotive</a>
Communications and Telecom	<a href="http://www.ti.com/communications">www.ti.com/communications</a>
Computers and Peripherals	<a href="http://www.ti.com/computers">www.ti.com/computers</a>
Consumer Electronics	<a href="http://www.ti.com/consumer-apps">www.ti.com/consumer-apps</a>
Energy and Lighting	<a href="http://www.ti.com/energy">www.ti.com/energy</a>
Industrial	<a href="http://www.ti.com/industrial">www.ti.com/industrial</a>
Medical	<a href="http://www.ti.com/medical">www.ti.com/medical</a>
Security	<a href="http://www.ti.com/security">www.ti.com/security</a>
Space, Avionics and Defense	<a href="http://www.ti.com/space-avionics-defense">www.ti.com/space-avionics-defense</a>
Video and Imaging	<a href="http://www.ti.com/video">www.ti.com/video</a>

### TI E2E Community

[e2e.ti.com](http://e2e.ti.com)