

# Tag-it™ HF-I Standard Transponder Inlays

## Reference Guide



Literature Number: SCBU006B  
December 2005—Revised September 2011



<b>Preface</b> .....	<b>7</b>
<b>1 Introduction</b> .....	<b>9</b>
1.1 General .....	10
1.2 System Description .....	10
1.3 Product Description .....	11
1.4 Functional Description .....	11
1.5 Memory Organization .....	12
1.6 Command Set .....	12
1.7 Inlay Formats and Part Numbers .....	13
<b>2 Specification</b> .....	<b>15</b>
2.1 Material Composition .....	16
2.2 Specification Summary .....	17
2.3 Mechanical Drawings .....	19
<b>3 Shipping, Packing, and Further Handling</b> .....	<b>23</b>
3.1 General .....	24
3.2 Packing .....	24
3.3 Barcode Label .....	24
3.4 Unwind From Transport Reel .....	25
3.5 Chipless Leader and Trailer .....	26
3.6 Marking of Inlays .....	26
3.7 Static Pressure .....	27
3.8 Tape Tension and Bending .....	27
<b>4 Regulatory, Safety, and Warranty Notices</b> .....	<b>29</b>
4.1 Regulatory, Safety, and Warranty Notices .....	30
4.2 Warranty and Liability .....	30
4.3 Hazards From Electrostatic Discharge (ESD) .....	30
4.4 Danger of Cutting Injuries .....	31
4.5 Thermal Effects .....	31
4.6 Handling .....	31
<b>A Terms and Abbreviations</b> .....	<b>33</b>

## List of Figures

1-1.	RFID System With Reader, Antenna, and Tag-it™ HF-I Transponder .....	10
1-2.	Schematic Structure of Tag-it HF-I Standard Transponders.....	11
1-3.	Memory Organization of the Tag-it HF-I Standard Transponder .....	12
1-4.	Tag-it HF-I Standard Transponder Inlay Square .....	13
1-5.	Tag-it HF-I Standard Transponder Inlay Rectangle – Large.....	13
1-6.	Tag-it HF-I Standard Transponder Inlay Rectangle – Miniature .....	13
1-7.	Tag-it HF-I Standard Transponder Inlay – 24.2-mm Circular .....	14
1-8.	Tag-it HF-I Standard Transponder Inlay – CD (32.5 mm Circular) .....	14
2-1.	Cross-Section Area of Tag-it HF-I Standard Transponder Inlay .....	16
2-2.	Tag-it HF-I Standard Transponder Inlay Square (RI-I11-114A-01) .....	19
2-3.	Tag-it HF-I Standard Transponder Inlay Rectangle – Large (RI-I02-114A-01, RI-I02-114B-01).....	19
2-4.	Tag-it HF-I Standard Transponder Inlay Rectangle – Miniature (RI-I03-114A-01) .....	20
2-5.	Tag-it HF-I Standard Transponder Inlay – 24.2 mm Circular (RI-I16-114A-01).....	20
2-6.	Tag-it HF-I Standard Transponder Inlay – CD (32.5 mm Circular) (RI-I17-114A-01) .....	21
3-1.	Packing .....	24
3-2.	Barcode Label.....	25
3-3.	Transport (Unwind) Direction .....	25
3-4.	Leader and Trailer Configuration on the Reel .....	26
3-5.	Positioning, Function, and Indication Marks .....	26
3-6.	Marking View.....	26
3-7.	Tape Tension and Bending .....	28

## List of Tables

1-1.	Tag-it HF-I Standard Transponder Command Set .....	12
2-1.	General Specification .....	17
2-2.	RI-I11-114A-01, RI-I11-114B-01 Specification .....	17
2-3.	RI-I02-114A-01, RI-I02-114B-01 Specification .....	18
2-4.	RI-I03-114A-01 Specification .....	18
2-5.	RI-I16-114A-01 Specification .....	18
2-6.	RI-I17-114A-01 Specification .....	18
3-1.	Static Pressure on Chip Area .....	27
3-2.	Tape Tension and Bending .....	27



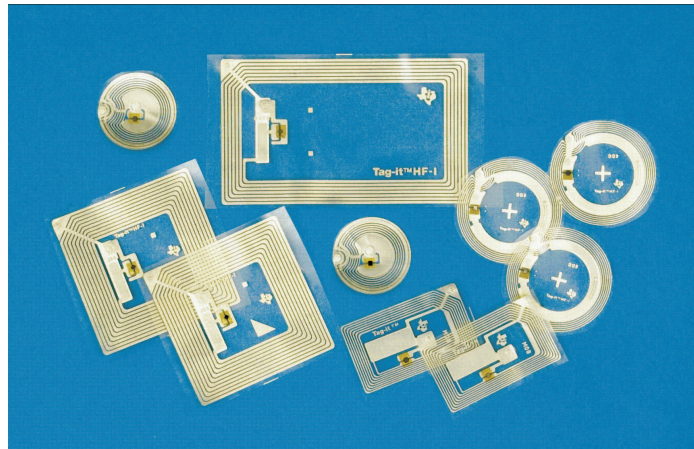
## Read This First

---

---

### Edition Two – September 2011

This is the first edition of this reference guide. It contains a description of the Tag-it™ HF-I Standard Transponder Inlays, their specifications, dimensions, and instructions for further handling.



### About This Guide

This reference guide for the Tag-it HF-I Standard Transponder Inlays is designed for use by TI partners who are engineers experienced with Radio Frequency Identification Devices (RFID).

**Regulatory, safety, and warranty notices that must be followed are given in Chapter 4.**

### Conventions

#### **WARNING**

**A warning is used where care must be taken or a certain procedure must be followed, in order to prevent injury or harm to your health.**

#### **CAUTION**

This indicates information on conditions that must be met or a procedure that must be followed, which if not heeded, could cause permanent damage to the equipment or software.

**NOTE:** Indicates conditions that must be met or procedures that must be followed, to ensure proper functioning of any equipment or software.

Information:

Indicates information that makes usage of the equipment or software easier.

**If You Need Assistance**

For more information, please contact the sales office or distributor nearest you. This contact information can be found on our web site at: <http://www.ti-rfid.com>.

**Trademarks**

TIRIS, TI-RFid, and Tag-it are trademarks of Texas Instruments. All other trademarks are the property of their respective owners.



## ***Introduction***

---

---

---

This chapter introduces you to the Tag-it™ HF-I standard transponder Inlays.

<b>Topic</b>	<b>Page</b>
<b>1.1 General</b> .....	<b>10</b>
<b>1.2 System Description</b> .....	<b>10</b>
<b>1.3 Product Description</b> .....	<b>11</b>
<b>1.4 Functional Description</b> .....	<b>11</b>
<b>1.5 Memory Organization</b> .....	<b>12</b>
<b>1.6 Command Set</b> .....	<b>12</b>
<b>1.7 Inlay Formats and Part Numbers</b> .....	<b>13</b>

## 1.1 General

The Tag-it™ HF-I standard transponder inlays are part of TI's 13.56-MHz product family based on the ISO/IEC 15693 standard for contactless integrated circuit cards (vicinity cards) and ISO/IEC 18000-3 standard for item management. The Tag-it HF-I standard transponder inlays available in various inlay shapes also form the basis of consumable smart labels for use in markets requiring quick and accurate identification of items, such as:

- Asset tagging
- Electronic ticketing
- Anti-counterfeit prevention
- Distribution logistics and supply-chain management
- Building access badges
- Express parcel delivery
- Airline boarding pass and baggage handling

The passive (no battery) transponder inlays are thin and flexible, offer a general purpose read/write capability, and are designed to be easily converted into paper or plastic labels.

The inlay is supplied on a polymer tape substrate, one web wide and delivered on reels. This allows an easy integration into existing label manufacturing processes to produce disposable labels.

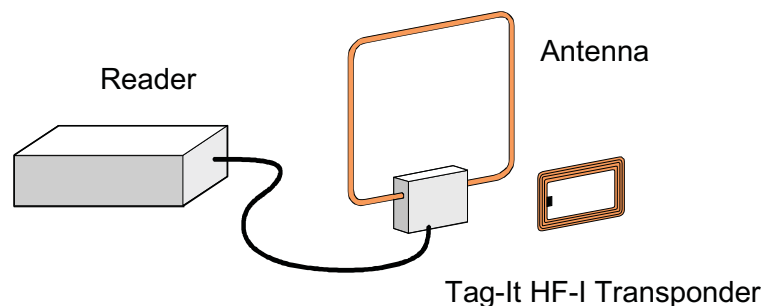
User data is written to and read from memory blocks using a nonvolatile EEPROM silicon technology. Each block is separately programmable by the user and can be locked to protect data from modification. Once the data has been locked, it cannot be changed.

For example, information about delivery checkpoints and timing, place of origin/destination, pallet assignments, inventory numbers, and even transportation routes can be coded into the transponder.

Multiple Tag-it HF-I standard transponder inlays, which appear in the reader RF field, can be identified, read from, and written to by using the unique identifier (UID), which is programmed and locked at the factory.

## 1.2 System Description

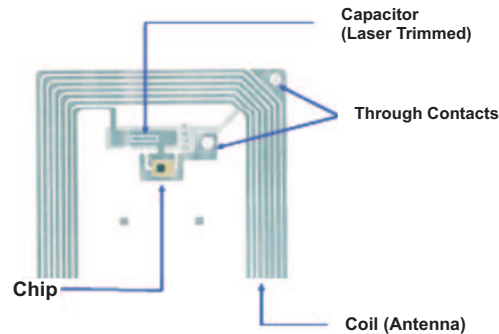
For operation, a reader with antenna is required to send a command to the transponder and to receive its response (see [Figure 1-1](#)). The command of the reader can be either in addressed or nonaddressed mode. The transponder does not transmit data until the reader sends a request (reader talks first principle).



**Figure 1-1. RFID System With Reader, Antenna, and Tag-it™ HF-I Transponder**

### 1.3 Product Description

The Tag-it HF-I standard transponder is compliant to the ISO/IEC 15693-2,-3 and ISO/IEC 18000-3 standard. It consists of a resonance circuit assembled on a PET foil with a flip-chip mounted microchip. An aluminum antenna is used as an inductor, and two layers of aluminum on the top and bottom side of the foil function as capacitor. The two layers are contacted with through contacts (see Figure 1-2). TI uses this capacitor to individually tune each device to a target resonance frequency. This compensates for any material and process tolerances and ensures optimal performance of every single transponder inlay. The trim target includes frequency offset to compensate for detuning that will occur after further integration into different materials, such as paper or PVC.



**Figure 1-2. Schematic Structure of Tag-it HF-I Standard Transponders**

### 1.4 Functional Description

The Tag-it HF-I standard transponder is a low-power, full-duplex transponder for use with passive contactless identification transponder systems.

The transponder is designed to operate with a 13.56-MHz carrier frequency. The ISO standards define, for some communication parameters, several modes in order to meet different international radio regulations and different application requirements. Therefore, communication between the reader and the transponder (Down-Link communication) takes place using ASK modulation index between 10% and 30% or 100% and data coding (pulse position modulation) '1 out of 4' or '1 out of 256'.

According to ISO/IEC 15693-2 and ISO/IEC18000-3, Up-Link communication (transponder to reader) can be accomplished with one subcarrier (ASK modulation) or with two subcarriers (FSK modulation). Both modes (ASK and FSK) can operate with either high or low data rate. **The transponder will answer in the mode it was interrogated from the reader and supports all communication parameter combinations.** Up- and Down-Link are frame synchronized and CRC checksum secured.

Each Tag-it HF-I standard transponder has a unique identifier (UID) address stored in two blocks that are factory programmed and 64 bits long ( $=2^{64}$  different addresses). This can be used for addressing each transponder uniquely and individually for a one-to-one exchange between the reader and the transponder. A mechanism to resolve collisions of a multiplicity of transponders (anti-collision) is also implemented. This special feature allows multiple transponders to be read simultaneously and offers the capability to inventory in a very short time a large number of transponders by their unique address, provided they are within the reader operating range.

Also, the application family identifier (AFI), which is optional in the ISO/IEC 15693, is supported by the Tag-it HF-I standard transponder.

For more details about the communication between reader and transponder, see ISO/IEC 15693 and the Tag-it HF-I Standard Extended Command specification.

## 1.5 Memory Organization

User data is read and stored in a 256-bit nonvolatile user memory that is organized in eight blocks. Each block with 32 bits is user programmable and can be locked individually to protect data from modification. Once set, the lock bit cannot be reset. The user memory is field programmable per block.

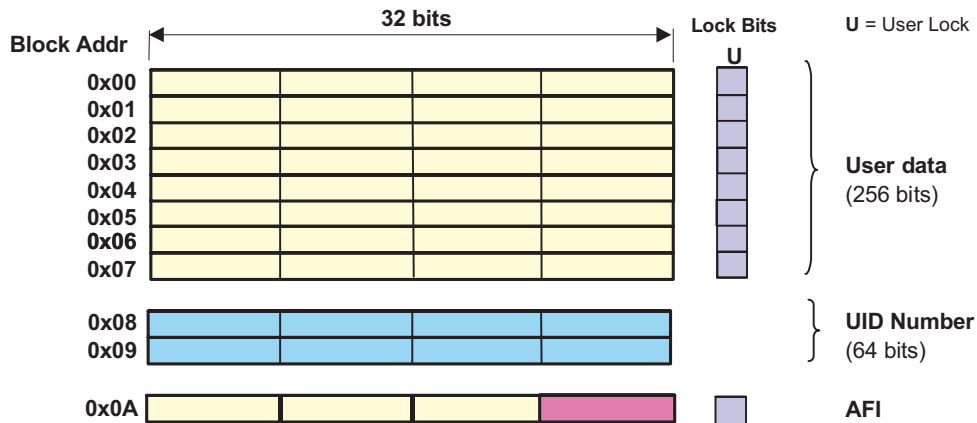


Figure 1-3. Memory Organization of the Tag-it HF-I Standard Transponder

## 1.6 Command Set

Table 1-1. Tag-it HF-I Standard Transponder Command Set

REQUEST	REQUEST MODE <sup>(1)</sup>					
	REQUEST CODE	INVENTORY	ADDRESSED	NON-ADDRESSED	AFI	OPT. FLAG
<b>ISO 15693 Mandatory and Optional Commands</b>						
Inventory	0x01	✓	–	–	✓	0
Stay Quiet	0x02	–	✓	–	–	0
Read_Single_Block	0x20	–	✓	✓	–	1
Write_Single_Block	0x21	–	✓	✓	–	1
Lock_Block	0x22	–	✓	✓	–	1

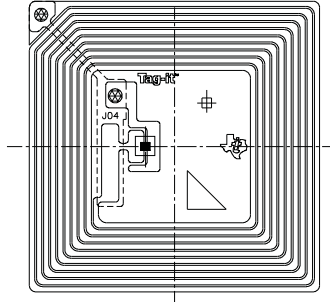
<sup>(1)</sup> ✓ = Implemented,  
 – = Not applicable,  
 0/1 = Option flag needed

**NOTE:** The Option flag (bit 7) of the ISO 15693-defined Request flags must be set to 1 for all Write and Lock commands to respond properly.

For reliable programming, we recommend a programming time  $\geq 10$  ms before the reader sends the end of frame (EOF) to request the response from the transponder.

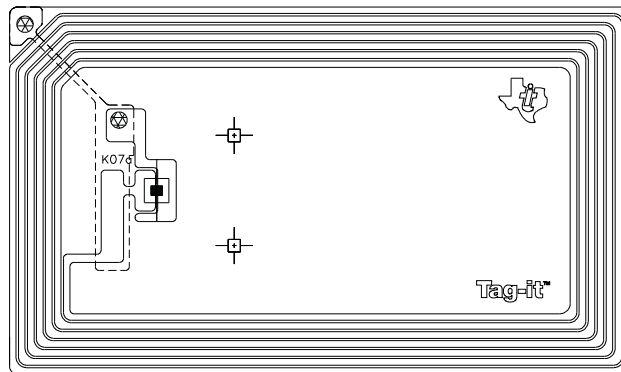
### 1.7 Inlay Formats and Part Numbers

To cover the specific requirements of different applications, the Tag-it HF-I standard transponder inlays are offered in different shapes, with frequency offset options for further integration into paper or PVC lamination.



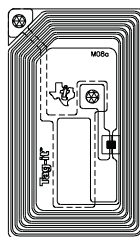
Part Number: RI-I11-114A-01 (frequency offset for further integration into paper)  
 Part Number: RI-I11-114B-01 (frequency offset for PVC lamination)

**Figure 1-4. Tag-it HF-I Standard Transponder Inlay Square**



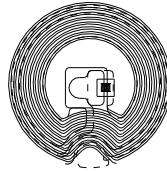
Part Number: RI-I02-114A-01 (frequency offset for further integration into paper)  
 Part Number: RI-I02-114B-01 (frequency offset for PVC lamination)

**Figure 1-5. Tag-it HF-I Standard Transponder Inlay Rectangle – Large**



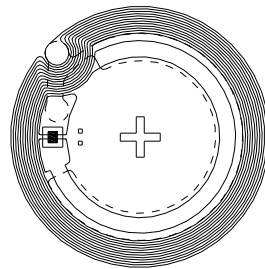
Part Number: RI-I03-114A-01 (frequency offset for further integration into paper or PVC lamination)

**Figure 1-6. Tag-it HF-I Standard Transponder Inlay Rectangle – Miniature**



Part Number: RI-I16-114A-01 (frequency offset for further integration into paper or PVC lamination)

**Figure 1-7. Tag-it HF-I Standard Transponder Inlay – 24.2-mm Circular**



Part Number: RI-I17-114A-01 (frequency offset for further integration into paper or PVC lamination)

**Figure 1-8. Tag-it HF-I Standard Transponder Inlay – CD (32.5 mm Circular)**

## Specification

---

---

---

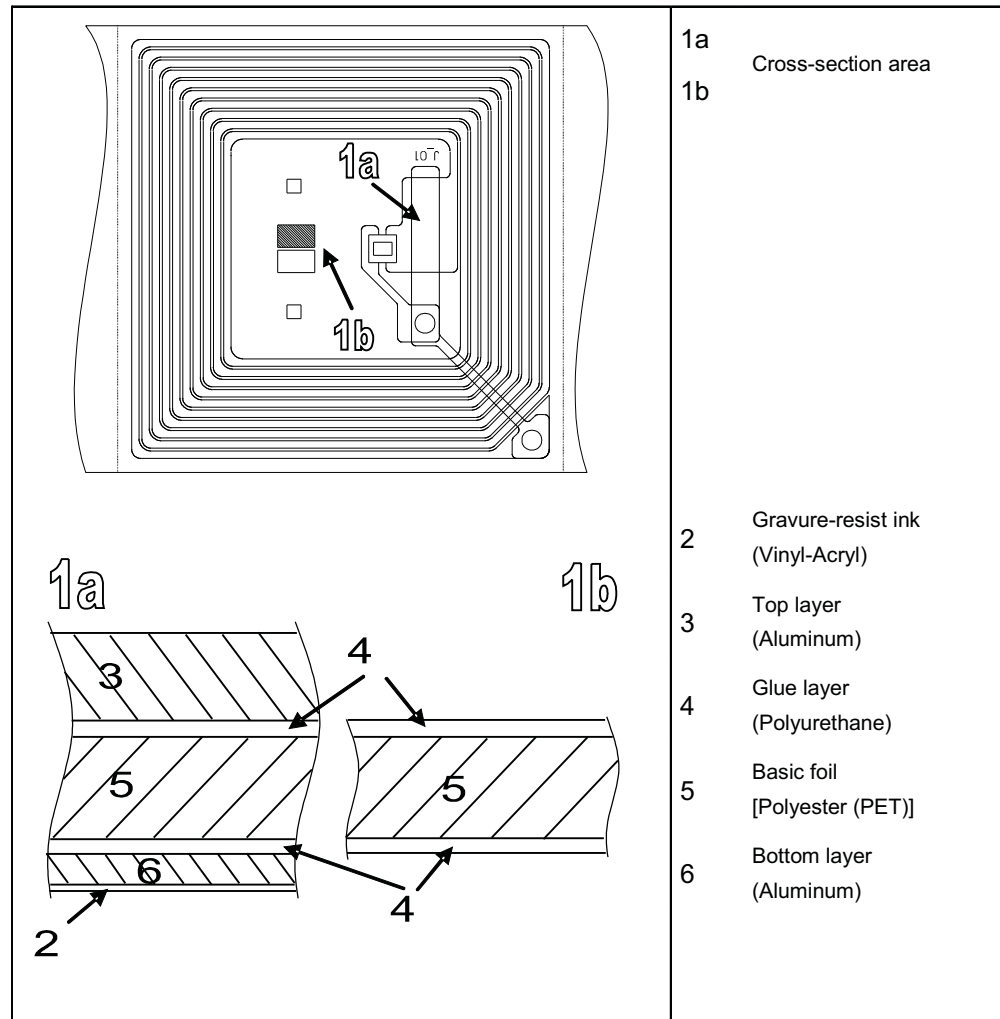
This chapter provides the electrical and mechanical specifications of the Tag-it HF-I standard transponder inlays.

Topic	Page
2.1 Material Composition .....	16
2.2 Specification Summary .....	17
2.3 Mechanical Drawings .....	19

## 2.1 Material Composition

The coil tracks, chip pads, and upper capacitor plate are etched from the top-layer aluminum. The bridge and the bottom capacitor plate are etched from the bottom-layer aluminum.

- The surface of the foil is free of contamination by oil or grease (no fingerprints). However, there could be residuals of silicon dust, gravure resist on the substrate, and dried residuals of PGMEA (propylene-glycol-monomethyl-ether-acetate).
- The wettability (surface energy) of the foil substrate is typically 42 mN/m.



**Figure 2-1. Cross-Section Area of Tag-it HF-I Standard Transponder Inlay**



## 2.2 Specification Summary

Table 2-1 applies to all Tag-it HF-I standard transponder inlay types.

**Table 2-1. General Specification**

Recommended operating frequency	13.56 MHz
Factory programmed read-only number	64 bits
Memory (user programmable)	2k bits organized in 64-bit × 32-bit blocks
Typical programming cycles (at 25°C)	100,000
Data retention time (at 55°C)	>10 years
Simultaneous identification of tags	Up to 50 tags per second (reader/antenna dependant)
Foil width	48 mm ± 0.5 mm (1.89 in ± 0.02 in)
Thickness	Chip area: 0.34 mm ±0.02 Antenna area (AI both sides): 0.085 mm ±0.01 Antenna area (AI one side): 0.075 mm ±0.008
Base material	Substrate: PET (Polyethylenetherephthalate) Antenna: Aluminum
Smallest bending radius allowed	18 mm (~0.71 in)
Tape tension (F), linear	Maximum 10 N
Operating temperature	-25°C to 70°C
Storage temperature (single inlay)	-40°C to 85°C (warping may occur with increasing temperature)
Storage temperature (on reel)	-40°C to 40°C
ESD immunity	Minimum 3.5 kV (Human-Body Model) Minimum 200 V (Machine Model)
Delivery	Single-row tape wound on cardboard reel with 500-mm diameter Reel outer width: approximately 60 mm (~2.36 in) Reel inner width: approximately 50 mm (~1.97 in) Hub diameter: 76.2 mm (3 in)
Typical quantity of good units per reel	5,000

**NOTE:** For highest possible read-out coverage, it is recommended to operate readers at a modulation depth of 20% or higher.

Table 2-2 through Table 2-6 contain device-specific parameters.

**Table 2-2. RI-I11-114A-01, RI-I11-114B-01 Specification**

	PART NUMBER	
	RI-I11-114A-01	RI-I11-114B-01
Passive Resonance Frequency (at 25°C)	13.86 MHz ± 200 kHz (includes frequency offset to compensate further integration into paper)	14.4 MHz ± 200 kHz (includes frequency offset to compensate PVC lamination)
Typical required activation field strength read (at 25°C)	98 dBµA/m <sup>(1)</sup>	98 dBµA/m <sup>(2)</sup>
Maximum required activation field strength read (at 25°C)	101 dBµA/m <sup>(1)</sup>	101 dBµA/m <sup>(2)</sup>
Typical required activation field strength write (at 25°C)	101 dBµA/m <sup>(1)</sup>	101 dBµA/m <sup>(2)</sup>
Antenna size	45 mm × 45 mm (~1.77 in × ~1.77 in)	
Foil pitch	48 mm +0.1 mm/-0.4 mm (~1.89 in)	

<sup>(1)</sup> After integration into paper

<sup>(2)</sup> After PVC lamination

**Table 2-3. RI-I02-114A-01, RI-I02-114B-01 Specification**

	PART NUMBER	
	RI-I02-114A-01	RI-I02-114B-01
Passive resonance frequency (at 25°C)	13.86 MHz ± 200 kHz (includes frequency offset to compensate further integration into paper)	14.4 MHz ± 200 kHz (includes frequency offset to compensate PVC lamination)
Typical required activation field strength read (at 25°C)	94 dBµA/m <sup>(1)</sup>	94 dBµA/m <sup>(2)</sup>
Maximum required activation field strength read (at 25°C)	97 dBµA/m <sup>(1)</sup>	97 dBµA/m <sup>(2)</sup>
Typical required activation field strength write (at 25°C)	97 dBµA/m <sup>(1)</sup>	97 dBµA/m <sup>(2)</sup>
Antenna size	45 mm × 76 mm (~1.77 in × ~2.99 in)	
Foil pitch	96 mm +0.1 mm/–0.4 mm (~3.78 in)	

<sup>(1)</sup> After integration into paper

<sup>(2)</sup> After PVC lamination

**Table 2-4. RI-I03-114A-01 Specification**

	PART NUMBER	
	RI-I03-114A-01	
Passive resonance frequency (at 25°C)	13.86 MHz ± 200 kHz (includes frequency offset to compensate further integration into paper or PVC lamination)	
Typical required activation field strength read (at 25°C)	107 dBµA/m <sup>(1)</sup>	
Maximum required activation field strength read (at 25°C)	109 dBµA/m <sup>(1)</sup>	
Typical required activation field strength write (at 25°C)	111 dBµA/m <sup>(1)</sup>	
Antenna size	22.5 mm × 38 mm (~0.89 in × ~1.5 in)	
Foil pitch	48 mm +0.1 mm/–0.4 mm (~1.89 in)	

<sup>(1)</sup> After integration into paper or PVC lamination

**Table 2-5. RI-I16-114A-01 Specification**

	PART NUMBER	
	RI-I16-114A-01	
Passive resonance frequency (at 25°C)	13.70 MHz ± 400 kHz (includes frequency offset to compensate further integration into paper or PVC lamination)	
Typical required activation field strength read (at 25°C)	113 dBµA/m <sup>(1)</sup>	
Maximum required activation field strength read (at 25°C)	116 dBµA/m <sup>(1)</sup>	
Typical required activation field strength write (at 25°C)	116 dBµA/m <sup>(1)</sup>	
Antenna size	∅ 24.2 mm +0.1 mm/–0.2 mm (~0.95 in)	
Foil pitch	50.8 mm +0.1 mm/–0.3 mm (2 in)	

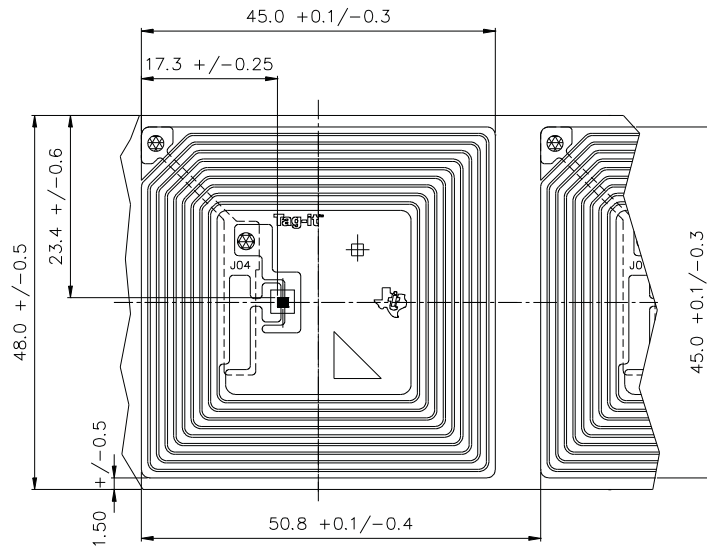
<sup>(1)</sup> After integration into paper or PVC lamination

**Table 2-6. RI-I17-114A-01 Specification**

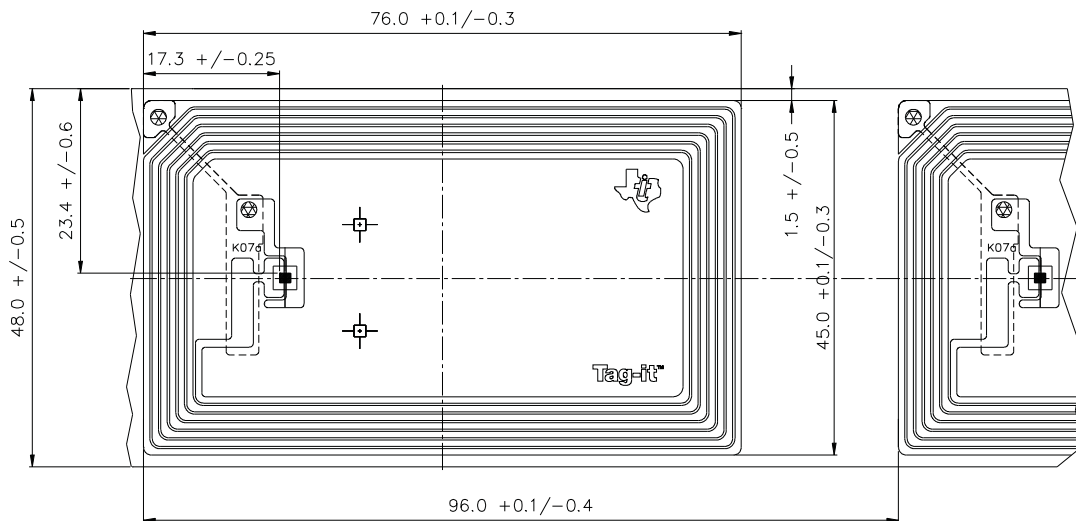
	PART NUMBER	
	RI-I17-114A-01	
Passive resonance frequency (at 25°C)	13.80 MHz ± 400 kHz (includes frequency offset to compensate further integration into paper or PVC lamination)	
Typical required activation field strength read (at 25°C)	110 dBµA/m <sup>(1)</sup>	
Maximum required activation field strength read (at 25°C)	113 dBµA/m <sup>(1)</sup>	
Typical required activation field strength write (at 25°C)	113 dBµA/m <sup>(1)</sup>	
Antenna size	Outer diameter: ∅ 32.5 mm +0.1 mm/–0.2 mm (~1.28 in) Inner diameter: Minimum ∅ 18 mm (~0.7 in)	
Foil pitch	50.88 mm +0.1 mm/–0.3 mm (2 in)	

<sup>(1)</sup> After integration into paper or PVC lamination

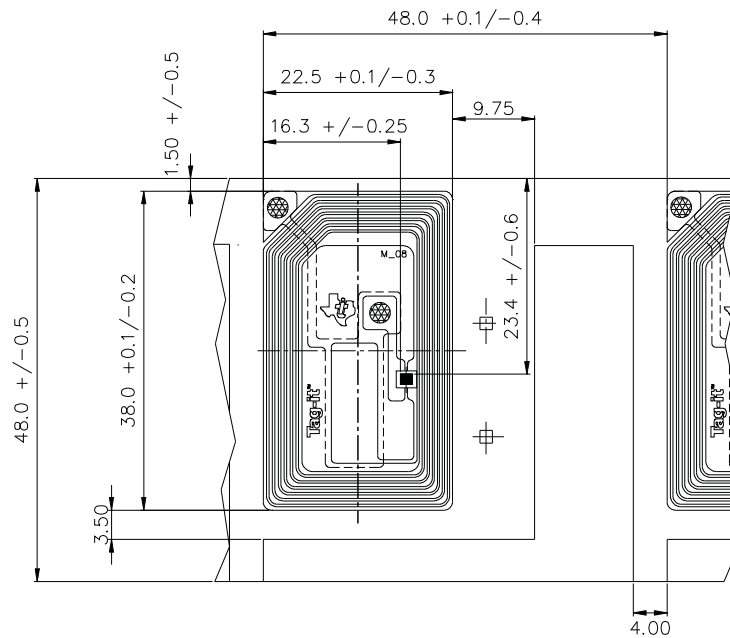
**2.3 Mechanical Drawings**



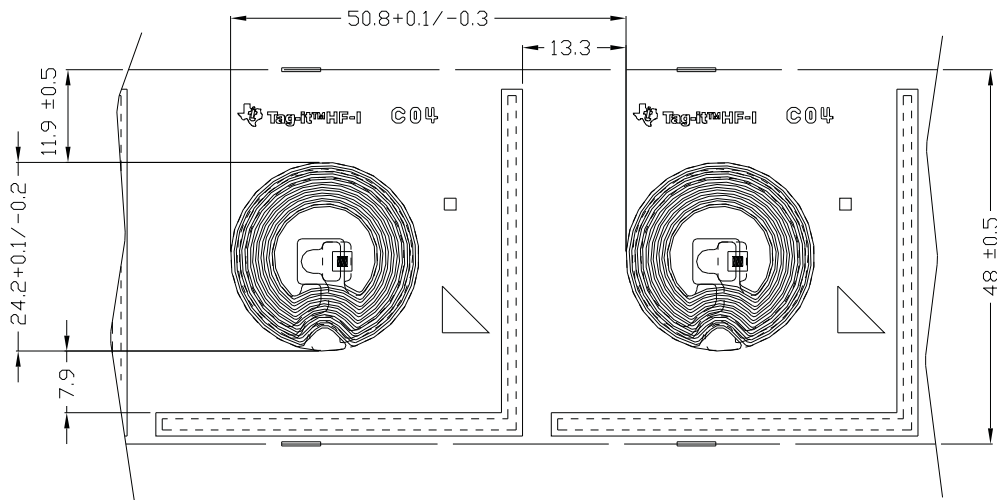
**Figure 2-2. Tag-it HF-I Standard Transponder Inlay Square (RI-I11-114A-01)**



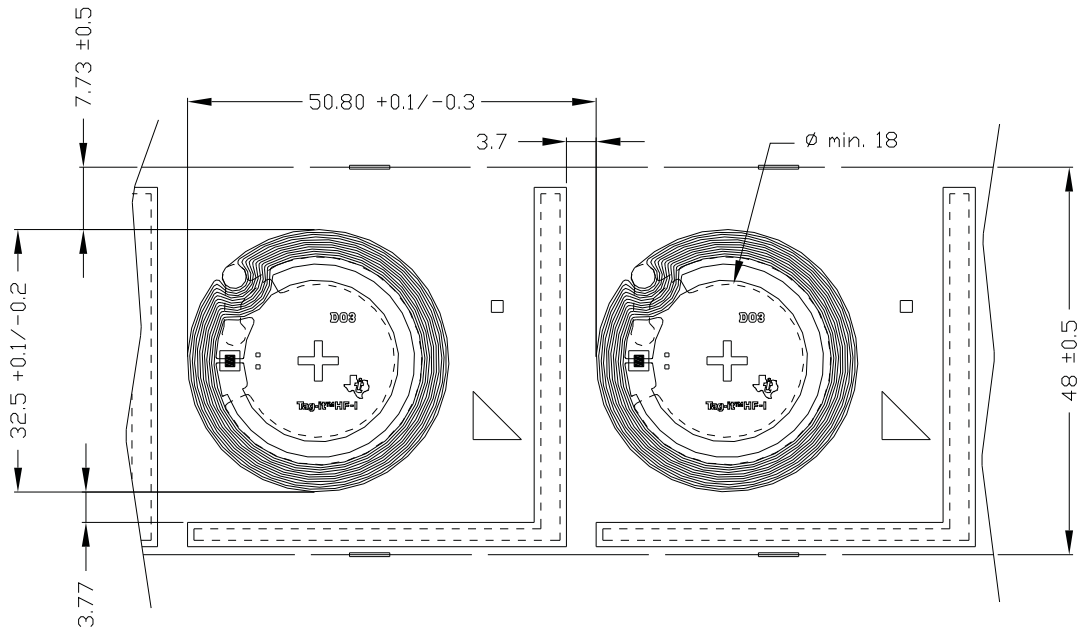
**Figure 2-3. Tag-it HF-I Standard Transponder Inlay Rectangle – Large (RI-I02-114A-01, RI-I02-114B-01)**



**Figure 2-4. Tag-it HF-I Standard Transponder Inlay Rectangle – Miniature (RI-I03-114A-01)**



**Figure 2-5. Tag-it HF-I Standard Transponder Inlay – 24.2 mm Circular (RI-I16-114A-01)**



**Figure 2-6. Tag-it HF-I Standard Transponder Inlay – CD (32.5 mm Circular) (RI-I17-114A-01)**



---

---

## *Shipping, Packing, and Further Handling*

---

---

Topic	Page
3.1 General .....	24
3.2 Packing .....	24
3.3 Barcode Label .....	24
3.4 Unwind From Transport Reel .....	25
3.5 Chipless Leader and Trailer .....	26
3.6 Marking of Inlays .....	26
3.7 Static Pressure .....	27
3.8 Tape Tension and Bending .....	27

### 3.1 General

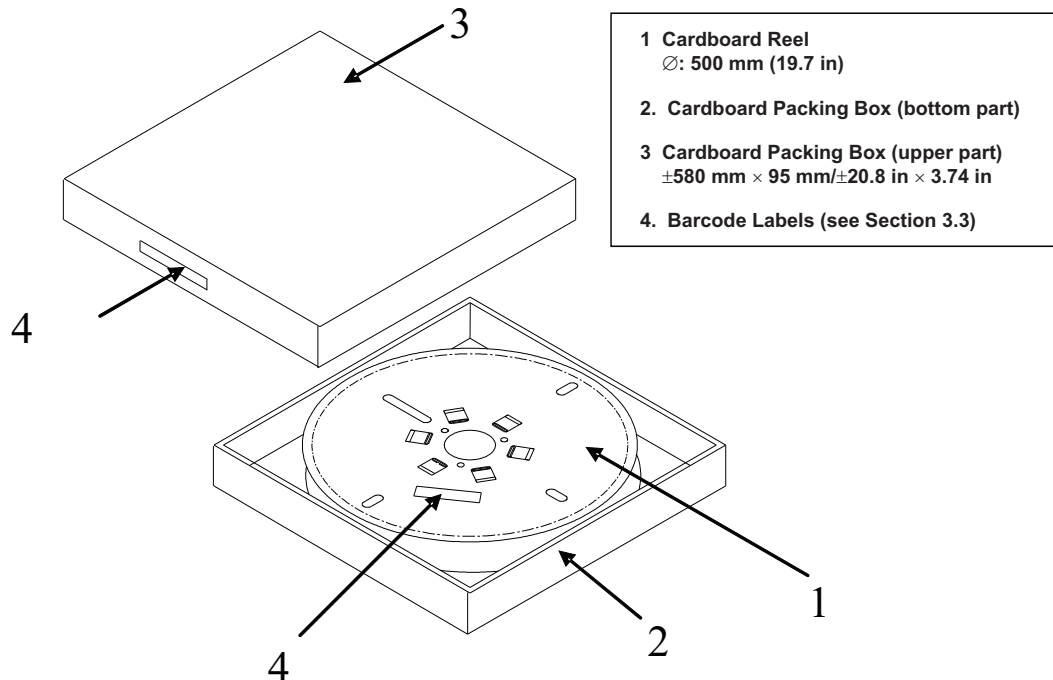
The Tag-it HF-I standard transponder inlays are delivered as single-row tape wound on cardboard reels. Each is packed separately in a packing box.

---

**NOTE:** Delivery may contain nonfunctional inlays. These inlays are marked as described in Section 3.5.

---

### 3.2 Packing



**Figure 3-1. Packing**

### 3.3 Barcode Label

Figure 3-2 shows the barcode label that is placed on the top side of the reel and on the front side of the upper part of its packing box.

---

**NOTE:** The following data is an example and should only be viewed as guide values. A packlist is enclosed with the delivery, which identifies the exact shipping details.

---





PN Part Number  
 QTY Quantity of functional inlays per reel total quantity (including nonfunctional units) may exceed this number  
 DC LTC Datecode; Lot Number

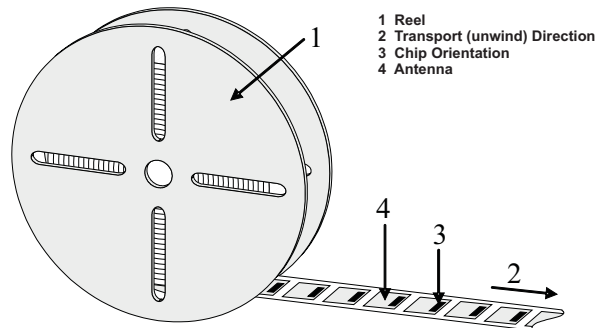
**Figure 3-2. Barcode Label**

### 3.4 Unwind From Transport Reel

The reel is wound up with a tension of 3 N. Each tape has a chipless leader and a trailer that is approximately 3 m long.

**NOTE:** Pull strength during unwind must be controlled.

Figure 3-3 shows the transport reel and the leader of the Tag-it HF-I plus transponder inlays being pulled off the reel.



**Figure 3-3. Transport (Unwind) Direction**

#### CAUTION

A high current density of an electrostatic discharge from the foil can damage the chip (IC). Therefore, it is recommended to use ionizer or antistatic rollers in the manufacturing process. Any conductive parts in touch with Tag-it HF-I standard inlays should have a high-impedance discharge to ground. TI recommends approximately 1 MΩ to avoid ESD damage.

### 3.5 Chipless Leader and Trailer

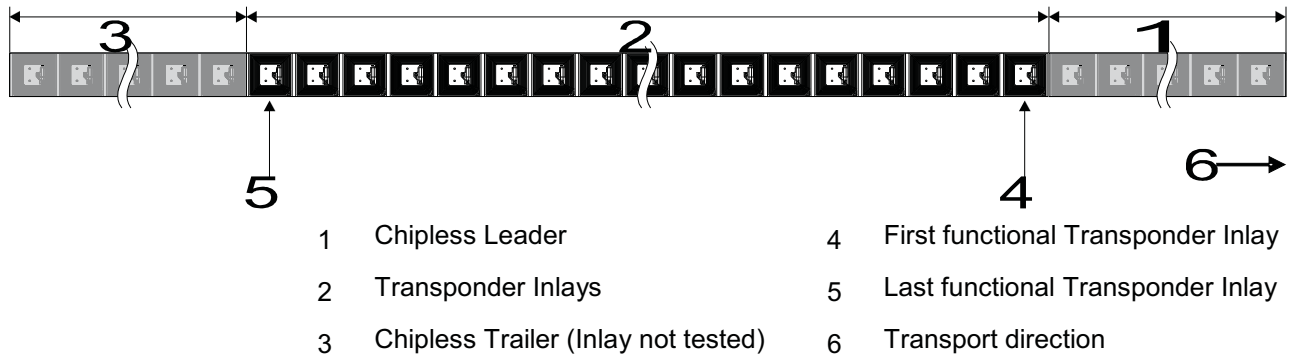


Figure 3-4. Leader and Trailer Configuration on the Reel

### 3.6 Marking of Inlays

- The foil inlay has positioning marks for optical detection by a singulating or handling tool.
- Nonfunctional foil inlays are marked with a rectangular black mark near the center of the foil inlay.

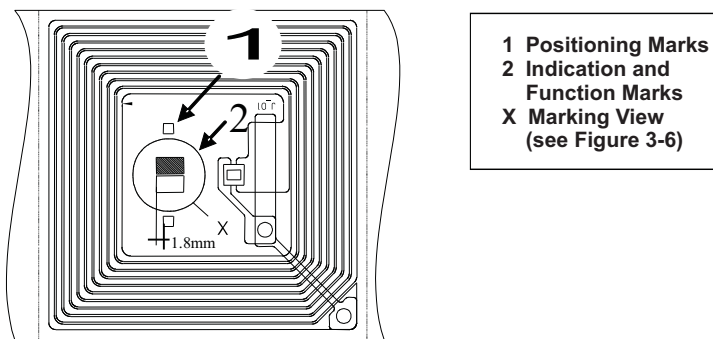


Figure 3-5. Positioning, Function, and Indication Marks

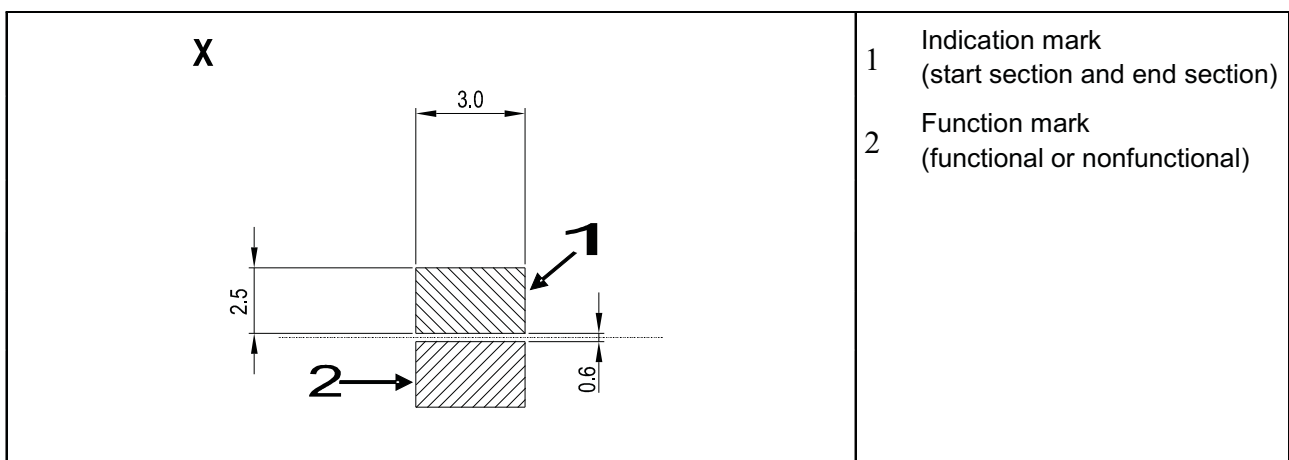






Figure 3-6. Marking View

In tested area (not trailer/leader section), the following combinations for indication and function marks are possible:

Case 1:		Functional Inlay (except first or last functional inlay on reel)
Case 2:		Functional Inlay (first or last functional inlay on reel)
Case 3:		Nonfunctional Inlay (except first or last tested inlay)
Case 4:		Nonfunctional Inlay (if last inlay)

### 3.7 Static Pressure

**Table 3-1. Static Pressure on Chip Area**

Static pressure on the chip area	Maximum 4 N/mm <sup>2</sup>
----------------------------------	-----------------------------

**CAUTION**

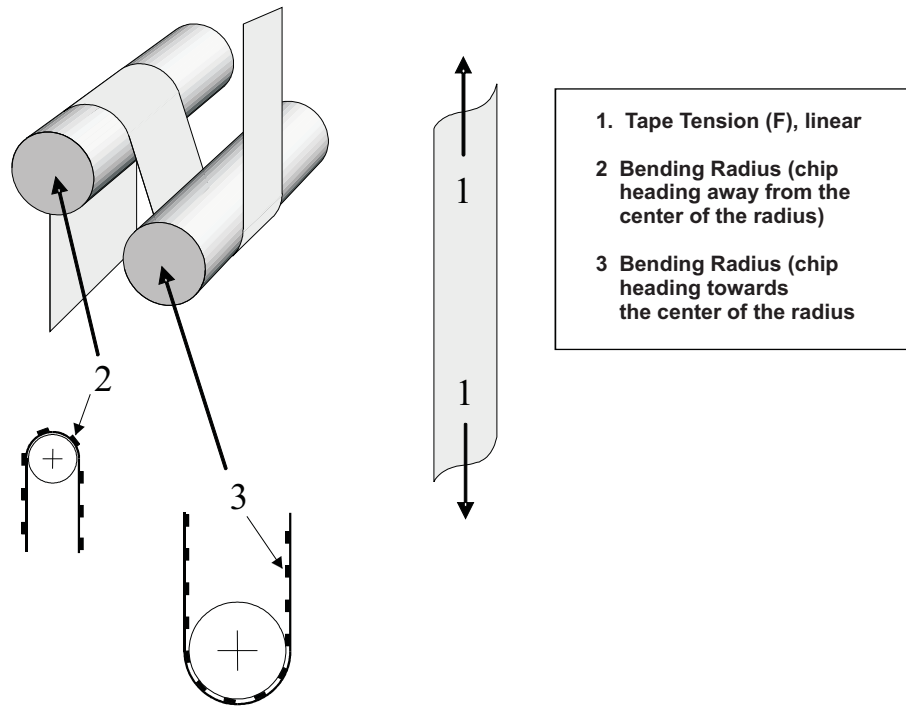
Higher pressure than that specified may result in chip cracks.

### 3.8 Tape Tension and Bending

**Table 3-2. Tape Tension and Bending**

1	Tape tension (F), linear	Maximum	10 N
2	Bending radius (chip heading away from the center of the radius at 7.5-N foil tape tension)	Minimum	18 mm
3	Bending radius (chip heading towards the center of the radius at 7.5-N foil tape tension)	Minimum	18 mm

**NOTE:** The Tag-it HF-I standard transponder inlay shall not be folded. Pull strength during unwind must be controlled.



**Figure 3-7. Tape Tension and Bending**

## ***Regulatory, Safety, and Warranty Notices***

---

---

This chapter describes important safety precautions and safety regulations.

<b>Topic</b>	<b>Page</b>
<b>4.1 Regulatory, Safety, and Warranty Notices .....</b>	<b>30</b>
<b>4.2 Warranty and Liability .....</b>	<b>30</b>
<b>4.3 Hazards From Electrostatic Discharge (ESD) .....</b>	<b>30</b>
<b>4.4 Danger of Cutting Injuries .....</b>	<b>31</b>
<b>4.5 Thermal Effects .....</b>	<b>31</b>
<b>4.6 Handling .....</b>	<b>31</b>

## 4.1 Regulatory, Safety, and Warranty Notices

An RFID system comprises an RF transmission device and is, therefore, subject to national and international regulations.

Any system reading from or writing to a transponder created from an IC may only be operated under an experimental license or final approval issued by the relevant approval authority. Before any such device or system can be marketed, an equipment authorization must be obtained from the relevant approval authority.

The Tag-it HF-I standard transponder inlay has been manufactured using state-of-the-art technology and in accordance with the recognized safety rules.

### Observe precautions in operating instructions

- Condition for the safe processing, handling, and fault-free operation of the Tag-it HF-I standard transponder inlay is the knowledge of the basic safety regulations.
- All persons who operate the Tag-it HF-I standard transponder inlay must observe the guidelines and, particularly, the safety precautions outlined in this document.
- In addition, basic rules and regulations for accident prevention applicable to the operating site must also be considered.

## 4.2 Warranty and Liability

The "General Conditions of Sale and Delivery" of Texas Instruments Incorporated or a TI subsidiary apply. Warranty and liability claims for defective products and injuries to persons and property damages are void if they are the result of one or more of the following causes:

- Improper use of the transponders
- Unauthorized assembly, operation and maintenance of the transponders
- Operation of the transponders with defective and/or nonfunctioning safety and protective equipment
- Failure to observe the instructions given in this document during transport, storage, assembly, operation, maintenance, and setting up of the transponders
- Unauthorized changes to the transponders
- Insufficient monitoring of the transponder operation or environmental conditions
- Repairs
- Catastrophes caused by foreign bodies and natural disasters.

### CAUTION

Tag-it HF-I standard transponder inlays are 100% thoroughly tested. It is the responsibility of TI's customer to evaluate their packaging process for compatibility with the Tag-it HF-I standard transponder inlay properties and to ensure through appropriate process controls that determined machine and material parameter are met on an ongoing basis.

TI does not accept warranty claims for material that has already undergone packaging or conversion process.

## 4.3 Hazards From Electrostatic Discharge (ESD)

During unwinding, the foil and the separator tape are charged electrostatically (depending on the unwinding speed and the tensile stress). For proper operation of the machine, it is necessary to deionize the foil to remove the ESD.

### WARNING

**Electronic devices also can be destroyed by electrostatic energy.**

#### 4.4 Danger of Cutting Injuries

### **WARNING**

Take care when unwinding the foil. The greater the unwinding speed and the tensile stress, the greater the risk of receiving a cut when the edge of the foil is touched.

#### 4.5 Thermal Effects

Temperatures  $>85^{\circ}\text{C}$  on the foil inlay during the packaging process may result in a significant and permanent material deformation and a possible change of color of the foil inlays, as well as a change in the electrical characteristics.

#### 4.6 Handling

The settings for foil unwinding and for the attendant forces must be in accordance to the information in Section 3.8.





## ***Terms and Abbreviations***

---

---

---

A list of the abbreviations and terms used in the various TI-RFid manuals can be found in a separate manual:

*TI-RFid™ Product Manual Terms & Abbreviations* ([SCBU014](#)) (11-03-21-002)

## IMPORTANT NOTICE

Texas Instruments Incorporated and its subsidiaries (TI) reserve the right to make corrections, modifications, enhancements, improvements, and other changes to its products and services at any time and to discontinue any product or service without notice. Customers should obtain the latest relevant information before placing orders and should verify that such information is current and complete. All products are sold subject to TI's terms and conditions of sale supplied at the time of order acknowledgment.

TI warrants performance of its hardware products to the specifications applicable at the time of sale in accordance with TI's standard warranty. Testing and other quality control techniques are used to the extent TI deems necessary to support this warranty. Except where mandated by government requirements, testing of all parameters of each product is not necessarily performed.

TI assumes no liability for applications assistance or customer product design. Customers are responsible for their products and applications using TI components. To minimize the risks associated with customer products and applications, customers should provide adequate design and operating safeguards.

TI does not warrant or represent that any license, either express or implied, is granted under any TI patent right, copyright, mask work right, or other TI intellectual property right relating to any combination, machine, or process in which TI products or services are used. Information published by TI regarding third-party products or services does not constitute a license from TI to use such products or services or a warranty or endorsement thereof. Use of such information may require a license from a third party under the patents or other intellectual property of the third party, or a license from TI under the patents or other intellectual property of TI.

Reproduction of TI information in TI data books or data sheets is permissible only if reproduction is without alteration and is accompanied by all associated warranties, conditions, limitations, and notices. Reproduction of this information with alteration is an unfair and deceptive business practice. TI is not responsible or liable for such altered documentation. Information of third parties may be subject to additional restrictions.

Resale of TI products or services with statements different from or beyond the parameters stated by TI for that product or service voids all express and any implied warranties for the associated TI product or service and is an unfair and deceptive business practice. TI is not responsible or liable for any such statements.

TI products are not authorized for use in safety-critical applications (such as life support) where a failure of the TI product would reasonably be expected to cause severe personal injury or death, unless officers of the parties have executed an agreement specifically governing such use. Buyers represent that they have all necessary expertise in the safety and regulatory ramifications of their applications, and acknowledge and agree that they are solely responsible for all legal, regulatory and safety-related requirements concerning their products and any use of TI products in such safety-critical applications, notwithstanding any applications-related information or support that may be provided by TI. Further, Buyers must fully indemnify TI and its representatives against any damages arising out of the use of TI products in such safety-critical applications.

TI products are neither designed nor intended for use in military/aerospace applications or environments unless the TI products are specifically designated by TI as military-grade or "enhanced plastic." Only products designated by TI as military-grade meet military specifications. Buyers acknowledge and agree that any such use of TI products which TI has not designated as military-grade is solely at the Buyer's risk, and that they are solely responsible for compliance with all legal and regulatory requirements in connection with such use.

TI products are neither designed nor intended for use in automotive applications or environments unless the specific TI products are designated by TI as compliant with ISO/TS 16949 requirements. Buyers acknowledge and agree that, if they use any non-designated products in automotive applications, TI will not be responsible for any failure to meet such requirements.

Following are URLs where you can obtain information on other Texas Instruments products and application solutions:

### Products

Audio	<a href="http://www.ti.com/audio">www.ti.com/audio</a>
Amplifiers	<a href="http://amplifier.ti.com">amplifier.ti.com</a>
Data Converters	<a href="http://dataconverter.ti.com">dataconverter.ti.com</a>
DLP® Products	<a href="http://www.dlp.com">www.dlp.com</a>
DSP	<a href="http://dsp.ti.com">dsp.ti.com</a>
Clocks and Timers	<a href="http://www.ti.com/clocks">www.ti.com/clocks</a>
Interface	<a href="http://interface.ti.com">interface.ti.com</a>
Logic	<a href="http://logic.ti.com">logic.ti.com</a>
Power Mgmt	<a href="http://power.ti.com">power.ti.com</a>
Microcontrollers	<a href="http://microcontroller.ti.com">microcontroller.ti.com</a>
RFID	<a href="http://www.ti-rfid.com">www.ti-rfid.com</a>
OMAP Mobile Processors	<a href="http://www.ti.com/omap">www.ti.com/omap</a>
Wireless Connectivity	<a href="http://www.ti.com/wirelessconnectivity">www.ti.com/wirelessconnectivity</a>

### Applications

Communications and Telecom	<a href="http://www.ti.com/communications">www.ti.com/communications</a>
Computers and Peripherals	<a href="http://www.ti.com/computers">www.ti.com/computers</a>
Consumer Electronics	<a href="http://www.ti.com/consumer-apps">www.ti.com/consumer-apps</a>
Energy and Lighting	<a href="http://www.ti.com/energy">www.ti.com/energy</a>
Industrial	<a href="http://www.ti.com/industrial">www.ti.com/industrial</a>
Medical	<a href="http://www.ti.com/medical">www.ti.com/medical</a>
Security	<a href="http://www.ti.com/security">www.ti.com/security</a>
Space, Avionics and Defense	<a href="http://www.ti.com/space-avionics-defense">www.ti.com/space-avionics-defense</a>
Transportation and Automotive	<a href="http://www.ti.com/automotive">www.ti.com/automotive</a>
Video and Imaging	<a href="http://www.ti.com/video">www.ti.com/video</a>

TI E2E Community Home Page

[e2e.ti.com](http://e2e.ti.com)

Mailing Address: Texas Instruments, Post Office Box 655303, Dallas, Texas 75265  
Copyright © 2011, Texas Instruments Incorporated