

***THS1040/41 Evaluation
Module for the
THS1040/THS1041 10-Bit ADC***

User's Guide

IMPORTANT NOTICE

Texas Instruments Incorporated and its subsidiaries (TI) reserve the right to make corrections, modifications, enhancements, improvements, and other changes to its products and services at any time and to discontinue any product or service without notice. Customers should obtain the latest relevant information before placing orders and should verify that such information is current and complete. All products are sold subject to TI's terms and conditions of sale supplied at the time of order acknowledgment.

TI warrants performance of its hardware products to the specifications applicable at the time of sale in accordance with TI's standard warranty. Testing and other quality control techniques are used to the extent TI deems necessary to support this warranty. Except where mandated by government requirements, testing of all parameters of each product is not necessarily performed.

TI assumes no liability for applications assistance or customer product design. Customers are responsible for their products and applications using TI components. To minimize the risks associated with customer products and applications, customers should provide adequate design and operating safeguards.

TI does not warrant or represent that any license, either express or implied, is granted under any TI patent right, copyright, mask work right, or other TI intellectual property right relating to any combination, machine, or process in which TI products or services are used. Information published by TI regarding third-party products or services does not constitute a license from TI to use such products or services or a warranty or endorsement thereof. Use of such information may require a license from a third party under the patents or other intellectual property of the third party, or a license from TI under the patents or other intellectual property of TI.

Reproduction of information in TI data books or data sheets is permissible only if reproduction is without alteration and is accompanied by all associated warranties, conditions, limitations, and notices. Reproduction of this information with alteration is an unfair and deceptive business practice. TI is not responsible or liable for such altered documentation.

Resale of TI products or services with statements different from or beyond the parameters stated by TI for that product or service voids all express and any implied warranties for the associated TI product or service and is an unfair and deceptive business practice. TI is not responsible or liable for any such statements.

Mailing Address:

Texas Instruments
Post Office Box 655303
Dallas, Texas 75265

EVM IMPORTANT NOTICE

Texas Instruments (TI) provides the enclosed product(s) under the following conditions:

This evaluation kit being sold by TI is intended for use for **ENGINEERING DEVELOPMENT OR EVALUATION PURPOSES ONLY** and is not considered by TI to be fit for commercial use. As such, the goods being provided may not be complete in terms of required design-, marketing-, and/or manufacturing-related protective considerations, including product safety measures typically found in the end product incorporating the goods. As a prototype, this product does not fall within the scope of the European Union directive on electromagnetic compatibility and therefore may not meet the technical requirements of the directive.

Should this evaluation kit not meet the specifications indicated in the EVM User's Guide, the kit may be returned within 30 days from the date of delivery for a full refund. THE FOREGOING WARRANTY IS THE EXCLUSIVE WARRANTY MADE BY SELLER TO BUYER AND IS IN LIEU OF ALL OTHER WARRANTIES, EXPRESSED, IMPLIED, OR STATUTORY, INCLUDING ANY WARRANTY OF MERCHANTABILITY OR FITNESS FOR ANY PARTICULAR PURPOSE.

The user assumes all responsibility and liability for proper and safe handling of the goods. Further, the user indemnifies TI from all claims arising from the handling or use of the goods. Please be aware that the products received may not be regulatory compliant or agency certified (FCC, UL, CE, etc.). Due to the open construction of the product, it is the user's responsibility to take any and all appropriate precautions with regard to electrostatic discharge.

EXCEPT TO THE EXTENT OF THE INDEMNITY SET FORTH ABOVE, NEITHER PARTY SHALL BE LIABLE TO THE OTHER FOR ANY INDIRECT, SPECIAL, INCIDENTAL, OR CONSEQUENTIAL DAMAGES.

TI currently deals with a variety of customers for products, and therefore our arrangement with the user is **not exclusive**.

TI assumes **no liability for applications assistance, customer product design, software performance, or infringement of patents or services described herein**.

Please read the EVM User's Guide and, specifically, the EVM Warnings and Restrictions notice in the EVM User's Guide prior to handling the product. This notice contains important safety information about temperatures and voltages. For further safety concerns, please contact the TI application engineer.

Persons handling the product must have electronics training and observe good laboratory practice standards.

No license is granted under any patent right or other intellectual property right of TI covering or relating to any machine, process, or combination in which such TI products or services might be or are used.

Mailing Address:

Texas Instruments
Post Office Box 655303
Dallas, Texas 75265

EVM WARNINGS AND RESTRICTIONS

It is important to operate this EVM within the specified input and output ranges described in the EVM User's Guide.

Exceeding the specified input range may cause unexpected operation and/or irreversible damage to the EVM. If there are questions concerning the input range, please contact a TI field representative prior to connecting the input power.

Applying loads outside of the specified output range may result in unintended operation and/or possible permanent damage to the EVM. Please consult the EVM User's Guide prior to connecting any load to the EVM output. If there is uncertainty as to the load specification, please contact a TI field representative.

During normal operation, some circuit components may have case temperatures greater than 60°C. The EVM is designed to operate properly with certain components above 60°C as long as the input and output ranges are maintained. These components include but are not limited to linear regulators, switching transistors, pass transistors, and current sense resistors. These types of devices can be identified using the EVM schematic located in the EVM User's Guide. When placing measurement probes near these devices during operation, please be aware that these devices may be very warm to the touch.

Mailing Address:

Texas Instruments
Post Office Box 655303
Dallas, Texas 75265

Read This First

About This Manual

This manual describes the physical characteristics, functions, modes of operation, and configuration of the THS1040/41EVM evaluation module (EVM).

How to Use This Manual

- Chapter 1 – Overview
- Chapter 2 – Physical Description
- Chapter 3 – Circuit Description
- Chapter 4 – Modes of Operation
- Chapter 5 – Schematics

Contents

| | | |
|----------|---|------------|
| 1 | Overview | 1-1 |
| 1.1 | Purpose | 1-2 |
| 1.2 | EVM Basic Functions | 1-2 |
| 1.3 | Power Requirements | 1-2 |
| 1.4 | THS1040/41EVM Operational Procedure | 1-3 |
| 2 | Physical Description | 2-1 |
| 2.1 | PCB Layout | 2-2 |
| 2.2 | Parts List | 2-6 |
| 3 | Circuit Description | 3-1 |
| 3.1 | Circuit Function | 3-2 |
| 3.1.1 | Inputs | 3-2 |
| 3.1.2 | References | 3-4 |
| 3.1.3 | Power | 3-4 |
| 3.1.4 | Outputs | 3-4 |
| 4 | Modes of Operation | 4-1 |
| 5 | Schematics | 5-1 |

Figures

| | | |
|-----|--|-----|
| 2-1 | Top Layer | 2-2 |
| 2-2 | Layer 2—Ground Plane | 2-3 |
| 2-3 | Layer 3—Power Plane | 2-4 |
| 2-4 | Bottom Layer | 2-5 |
| 4-1 | Differential Input, Internal Reference Mode, 1-V Reference Span | 4-2 |
| 4-2 | Differential Input, Internal Reference Mode, Adjustable Reference Span | 4-2 |
| 4-3 | Single-Ended Input, Internal ADC References | 4-3 |
| 4-4 | Single-Ended Input, External VREF Source | 4-3 |

Tables

| | | |
|-----|--|-----|
| 2-1 | Parts List | 2-6 |
| 3-1 | THS1040 Jumper Settings for Control Inputs | 3-3 |
| 3-2 | THS1041 Internal Control Register Bits and EVM Jumpers | 3-3 |
| 3-3 | Output Connector J4 | 3-4 |
| 4-1 | Board Jumper Settings for Various Modes of Operation | 4-4 |

Overview

This chapter gives a general overview of the THS1040/41EVM evaluation module (EVM), and describes some of the factors that must be considered in using this module.

| Topic | Page |
|---|-------------|
| 1.1 Purpose | 1-2 |
| 1.2 EVM Basic Functions | 1-2 |
| 1.3 Power Requirements | 1-2 |
| 1.4 THS1040/41 Operational Procedure | 1-3 |

1.1 Purpose

The THS1040/41EVM evaluation module (EVM) provides a platform for evaluation of the THS1040 and THS1041 10-bit analog-to-digital converters (ADC) under various signal, reference, and supply conditions. Unless stated explicitly, the functionality described in this user's guide applies to both THS1040 and THS1041 devices.

1.2 EVM Basic Functions

Analog input to the THS1040/41 is provided by external SMA connectors. The input can be configured onboard to be ac, dc, or transformer-coupled to the input of the device.

An external SMA connector is provided on the THS1041 for the clamp input. This allows external digital control of the ADC's clamping function. The ADC can be clamped either to an external reference voltage or from the on-chip DAC.

The EVM provides an external SMA connection for ADC clock input. The user can send this clock to the output connector with the digital data or provide a second clock source to be sent in place of the ADC clock. This allows the user to provide the required setup and hold times of the output data with respect to the output clock. Refer to the clock section for proper configuration and operation.

In addition to the internal reference from the THS1040/41 device, options are provided on the EVM to allow adjustment of the ADC reference via an onboard reference circuit.

Output from the EVM is via a 40-pin header connector. The digital lines from the THS1040/41 are buffered using the SN74LVTH162244 before going to the header.

Power connections to the EVM are via 4-mm banana sockets. Separate connectors are provided for the analog and digital supply to the device.

The THS1041 has a number of programmable registers that can be programmed using DIL switches on the EVM.

1.3 Power Requirements

The EVM has 2 main dc-power supply connections: 3.3 V for the analog and 3.3-V digital supplies to the ADC. Each of these supplies is independent, but it should be noted that the input thresholds of the ADC varies dependent on the digital and analog supply voltages, as per the data sheet specification. A 5-V connector is also provided to allow the user to reprogram the CPLD (THS1041 EVM only).

Voltage Limits

Exceeding the 3.3-V maximum can damage EVM components. Undervoltage may cause improper operation of some or all of the EVM components.

1.4 THS1040/41EVM Operational Procedure

The THS1040/41EVM provides a flexible means of evaluating the THS1040 and THS1041 in a number of modes of operation. These are described more fully in Chapter 4. The following basic setup procedure can be used as a board-confidence check:

- Verify all jumper settings against the following schematic jumper table:

| Device | Jumper Table (connection) |
|---------|---|
| THS1040 | SJP1 OUT, SJP2 pin 1–2, SJP3 OUT, SJP4 OUT, SJP5 OUT, SJP6 pin 1–2, SJP7 pin 2–3, SJP8 pin 2–3, SJP9 pin 2–3, SJP10 pin 2–3 W1 pin 1–2, W2 pin 1–2, W3 pin 1–2, W4 pin 2–3, W5 pin 1–2, W6 OUT, W7 IN, W8 OUT, W9 OUT, W10 OUT, W11 OUT, W12 OUT |
| THS1041 | SJP1 OUT, SJP2 pin 1–2, SJP3 OUT, SJP4 OUT, SJP5 OUT, SJP6 pin 1–2, SJP7 pin 1–2, SJP8 pin 1–2, SJP9 pin 1–2, SJP10 pin 1–2 W1 pin 1–2, W2 pin 1–2, W3 OUT, W4 OUT, W5 pin 1–2, W6 OUT, W7 IN, W8 OUT, W9 OUT, W10 OUT, W11 OUT, W12 OUT |

- Connect supplies to the EVM as follows:
 - 3.3 V analog supply to J8 and return to J7.
 - 3.3 V digital supply to J10 and return to J11.
- Switch power supplies on.
- Use a function generator with 50- Ω output to input a 40-MHz, 1.5-V offset, 3-Vp-p amplitude square wave signal into J4 to be used as the ADC clock. The frequency of the clock must be within the specification for the device speed grade.
- Use a function generator with 50- Ω output to input a 40-MHz, 1.5-V offset, 3-Vp-p amplitude square wave signal into J14 to be used as the buffered output clock and the PLD input clock (THS1041 EVM only). This signal must be the same frequency and synchronized with the ADC clock.
- Use a frequency generator with 50- Ω output to input a 1.5-MHz, 0-V offset, 1.5-Vp-p amplitude sine wave signal into analog input SMA J2. This provides a transformer coupled differential signal to the ADC.
- The digital pattern on the output connector J12 should now represent a sine wave and can be monitored using a logic analyzer.

Physical Description

This chapter describes the physical characteristics and PCB layout of the EVM, and lists the components used on the module.

| Topic | Page |
|-----------------------------|-------------|
| 2.1 PCB Layout | 2-2 |
| 2.2 Parts List | 2-6 |

2.1 PCB Layout

The EVM is constructed on a 4-layer, 4.15" × 4.5", 0.062" thick PCB using FR-4 material. Figures 2–1 through 2–4 show the individual layers.

Figure 2–1. Top Layer

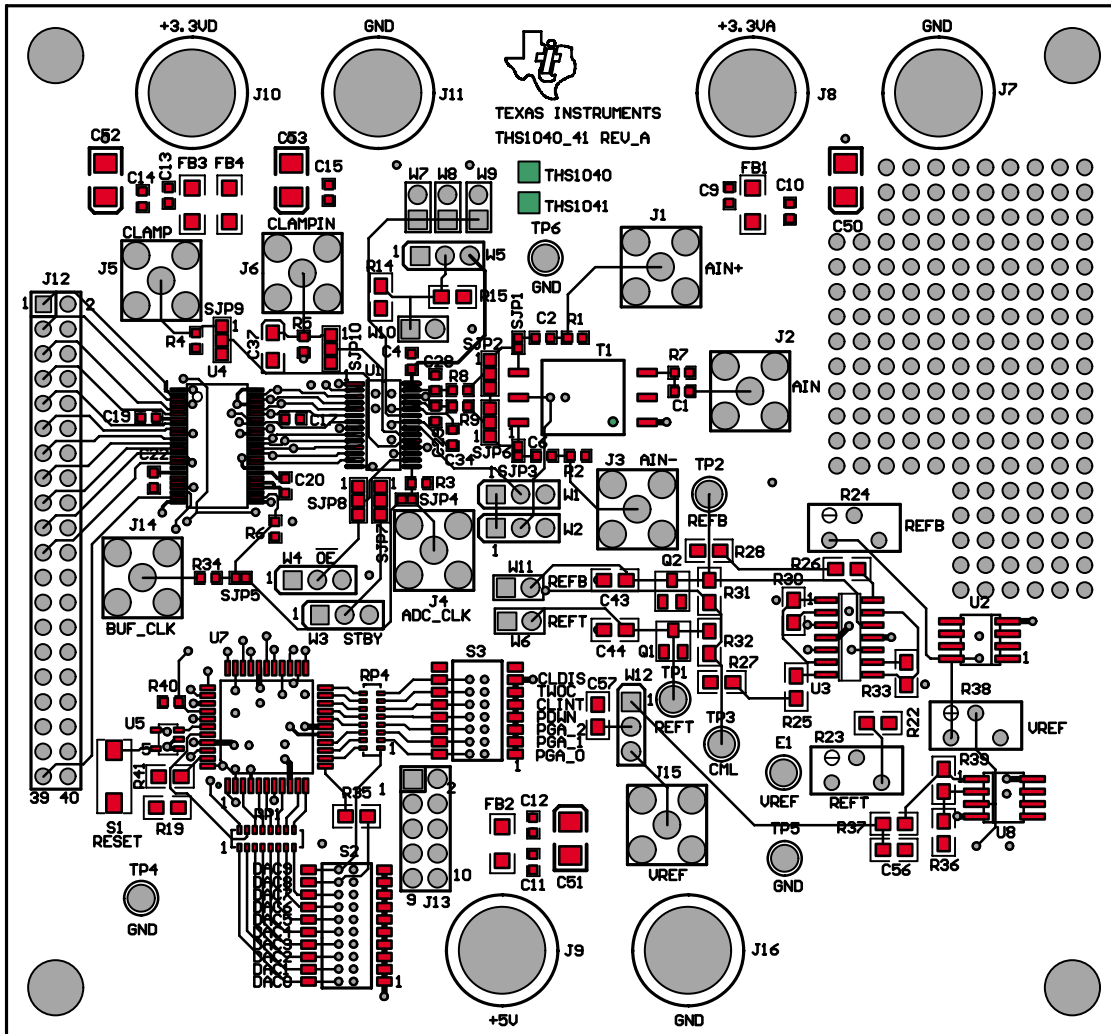


Figure 2-2. Layer 2—Ground Plane

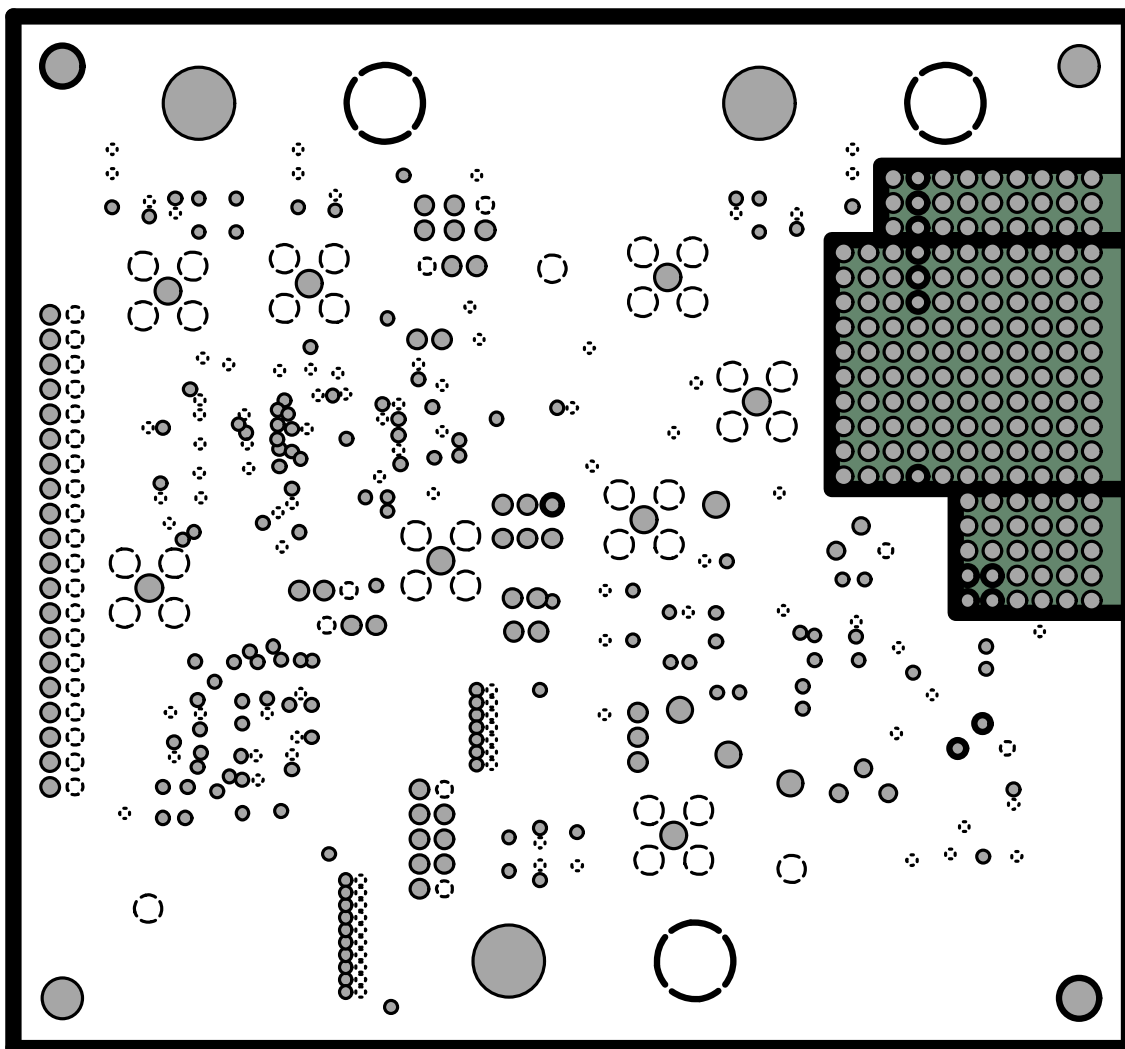


Figure 2–3. Layer 3—Power Plane

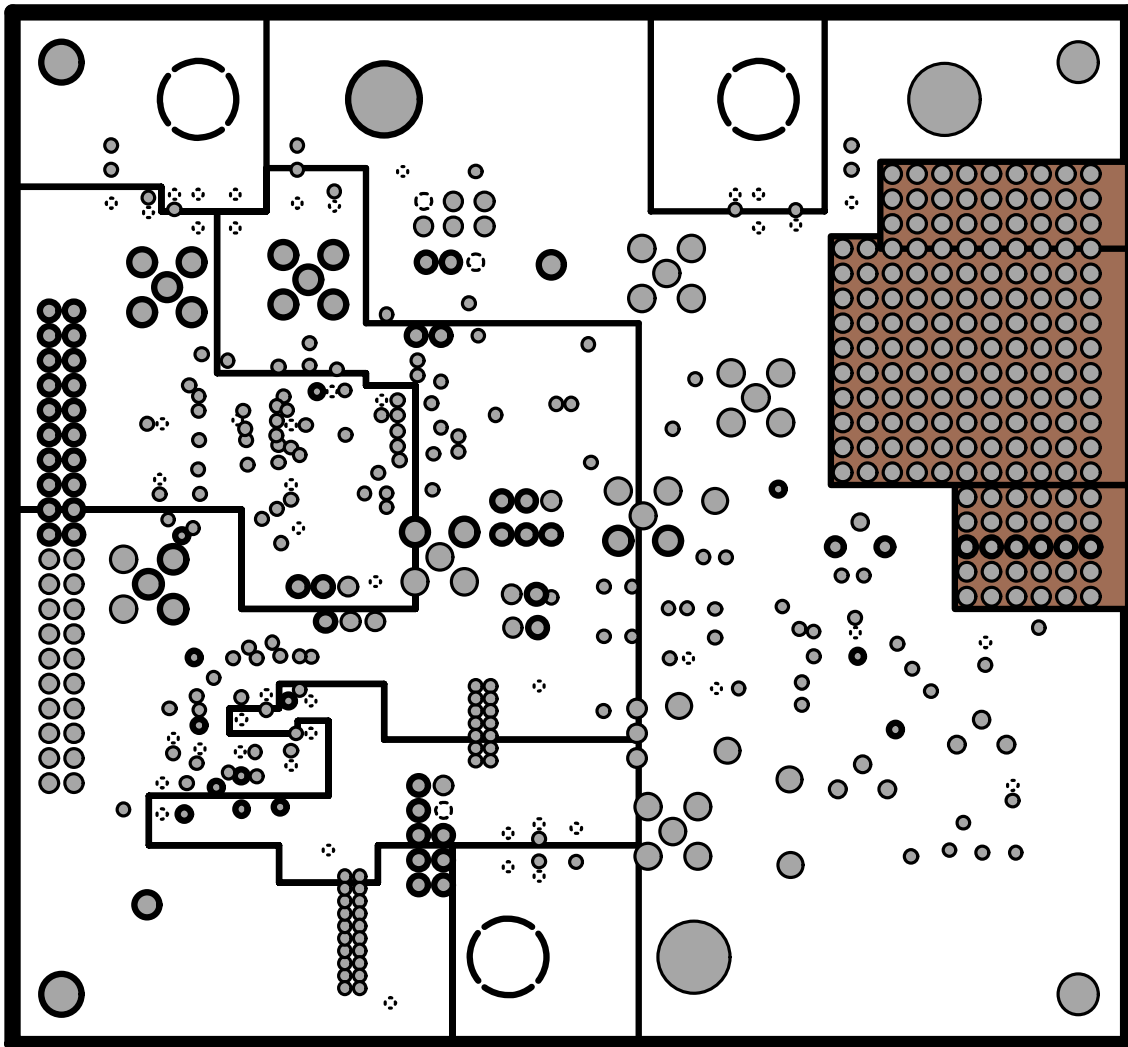
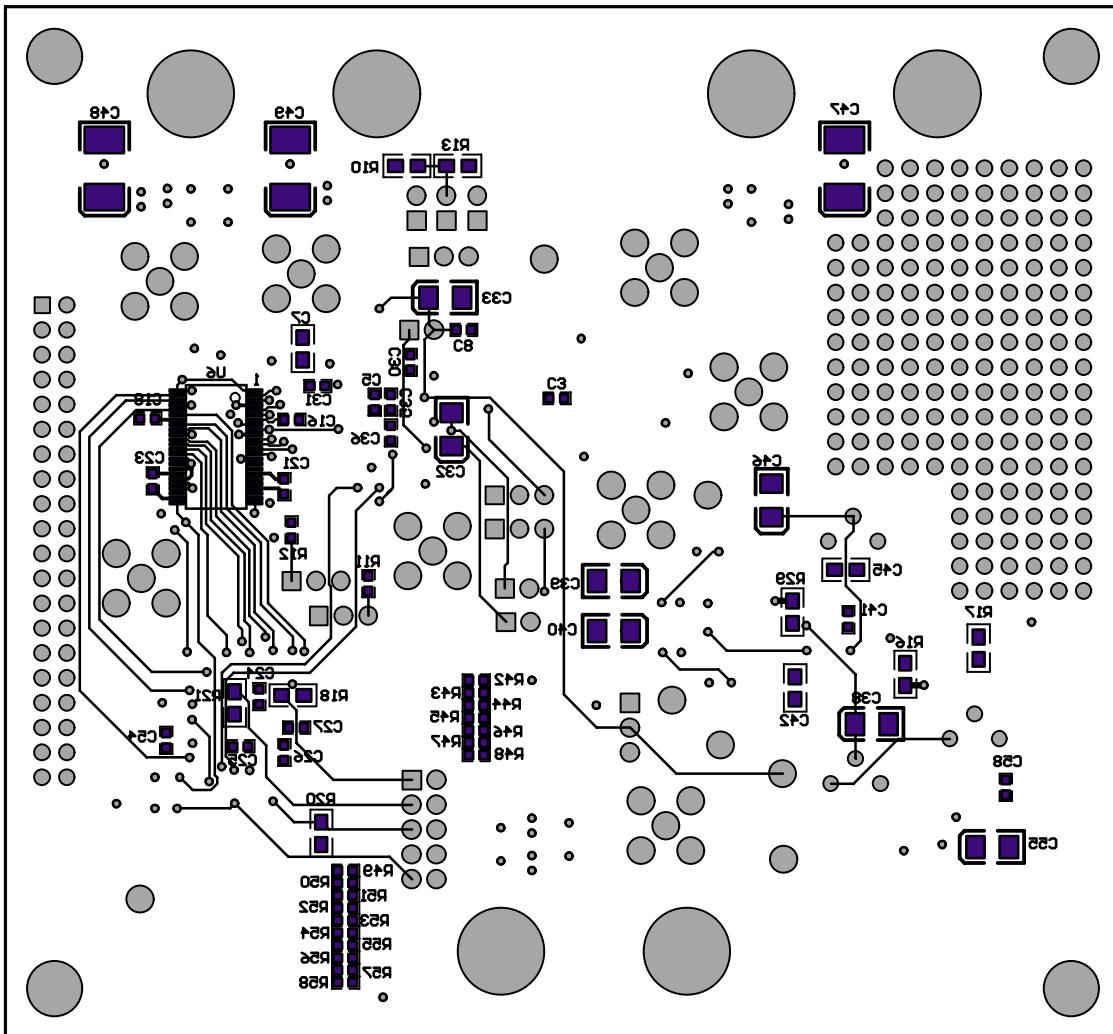


Figure 2–4. Bottom Layer



2.2 Parts List

Table 2–1 lists the parts used in constructing the EVM.

Table 2–1. Parts List

| Description | Qty | Part Number | Manufacturer | Reference Description |
|-------------------------------------|-----|----------------|---------------|--|
| 47- μ F tantalum, 10% 10 V | 3 | 10TPA47M | Sanyo | C47, C48, C49 |
| 10- μ F, 10-V, 10% capacitor | 9 | GRM42X5R106K10 | Murata | C38–C40, C46, C50–53, C55 |
| 1- μ F, 10-V, 10% capacitor | 2 | | Murata | C32, C33 |
| 0.1- μ F, 16-V, 10% capacitor | 32 | ECJ-1VB1C104K | Panasonic | C1–C6, C8–C27, C34–C36, C41, C54, C58 |
| 0.1- μ F, 16-V, 10% capacitor | 7 | | Panasonic | C7, C42–C45, C56, C57 |
| 20-pF, 50-V, 5% capacitor | 2 | | AVX | C28, C29 |
| 10- μ F, 50-V, 10% capacitor | 1 | | | C37 |
| 470-pF, 50-V, 10% capacitor | 2 | | | C30, C31 |
| Ferrite bead | 4 | | | FB1–FB4 |
| 0- Ω resistor, 1.16 W, 1% | 1 | ERJ-3EKF0R00V | Panasonic | R34 |
| 1.5-k Ω resistor, 1/16 W, 1% | 1 | | | R22 |
| 10- Ω resistor, 1/16 W, 1% | 2 | | | R8, R9 |
| 100-k Ω resistor, 1/16 W, 1% | 17 | | | R42–R58 |
| 432- Ω resistor, 1/16 W, 1% | 2 | ERJ-3EKF432R0V | Panasonic | R25, R26 |
| 49.9- Ω resistor, 1/16 W, 1% | 8 | ERJ-3EKF49R9V | Panasonic | R1–R7, R40 |
| 5.1-k Ω resistor, 1/16 W, 1% | 1 | | | R29 |
| 10-k Ω resistor, 1/16 W, 1% | 0 | | | <i>Not installed:</i> R11, R12 |
| 10-k Ω resistor | 4 | | | R10, R13, R16, R36 <i>Not installed:</i> R14, R15 |
| 11-k Ω resistor, 1/16 W, 1% | 1 | | | R33 |
| 15-k Ω resistor, 1/16 W, 1% | 1 | | | R30 |
| 1-k Ω resistor, 1/16 W, 1% | 6 | | | R17–R21, R37 |
| 180- Ω resistor | 2 | | | R31, R32 |
| 330- Ω resistor | 2 | | | R27, R28 |
| 4.7-k Ω resistor | 2 | | | R35, R41 |
| 730- Ω resistor | 1 | | | R39 |
| 10-K Ω Pot | 3 | 3296Y-101 | Bourns | R23, R24, R38 |
| 100- Ω resistor | 2 | 742C163101JCT | Bourns | RP1, RP4 |
| Transformer | 1 | T1-6T-KK81 | Mini-Circuits | T1 |
| SMA connectors | 8 | 713-4339 | ALLIED | J1–J6, J14, J15 |
| Black test point | 3 | 5001K | Keystone | TP4–TP6 |
| Red test point | 3 | 5000K | Keystone | TP1–TP3 |
| 2POS_header | 6 | TSW-150-07-L-S | Samtec | W6–W11 |
| 3POS_header | 4 | TSW-150-07-L-S | Samtec | W1, W2, W5, W12 <i>Not installed:</i> W3, W4 |
| 2POS_CONNECTOR SMT | 4 | | | SJP1, SJP3–SJP5 |
| 3POS_CONNECTOR SMT | 6 | | | SJP2, SJP6–SJP10 |
| 40-PIN_IDC | 1 | | | J12 |
| 5-PIN_IDC | 1 | | | J13 |
| Red banana jacks | 3 | ST-351A | Allied | J8–J10 |
| Black banana jacks | 3 | ST351B | Allied | J7, J11, J16 |
| MMBT3904 | 1 | | | Q2 |
| MMBT3906 | 1 | | | Q1 |
| EVQ-PJ_SWITCH | 1 | | | S1 |

Table 2–1. Parts List (Continued)

| Description | Qty | Part Number | Manufacturer | Reference Description |
|--------------------------|-----|------------------|--------------|-----------------------|
| SWITCH_10POS_SMT | 1 | | | S2 |
| SWITCH_8POS_SMT | 1 | | | S3 |
| THS1041 | 1 | THS1041CPW | TI | U1 |
| LT1004-1.2 | 1 | LT1004CD-1.2 | TI | U2 |
| TLV2464 | 1 | TLV2464CD | TI | U3 |
| SN74AVC162244 | 2 | SN74AVC162244DGG | TI | U4, U6 |
| TPS3801 | 1 | TPS3801K33DCK | TI | U5 |
| EPM7032AETC44 | 1 | | Altera | U7 |
| TLV2462D | 1 | TLV2462CD | TI | U8 |
| Stand off hex (1/4 × 1") | 4 | 219-2063 | Allied | |

Circuit Description



This chapter discusses the various functions on the EVM.

| Topic | Page |
|----------------------------|------|
| 3.1 Circuit Function | 3-2 |

3.1 Circuit Function

The following paragraphs describe the function of individual circuits. Refer to Chapter 4 for jumper configurations for various modes of operation, and to the relevant data sheet for device operating characteristics.

3.1.1 Inputs

The ADC has either transformer-coupled input from a single-ended source, true differential analog inputs, or a single-ended input. These inputs are provided via SMA connectors J1, J2, and J3 on the EVM and can be configured in three ways as discussed in the following sections.

3.1.1.1 Differential Interface

For true differential input, the positive differential signal is connected to J1 and the negative differential signal is connected to J3. The jumpers on the board are then configured as follows: SJP1 IN, SJP2 pin 1–2, SJP3 IN, SJP6 pin 1–2, W1, W2, and T1 removed. The inputs have 50- Ω terminators and are ac-coupled.

3.1.1.2 Single-Ended Transformer Coupled Interface

For transformer-coupled ADC input using a single ended source, a positive signal is applied to SMA J2. The jumpers on the board are then configured as follows: SJP1 OUT, SJP2 pin 1–2, SJP3 OUT, SJP6 pin 1–2, W1 pin 1–2, and W2 pin 1–2. Transformer T1 performs the single ended to differential signal conversion.

3.1.1.3 Single-Ended Interface

For single-ended input, a positive signal is applied to SMA J1. The jumpers on the board are then configured as follows: SJP1 IN, SJP2 pin 1–2, SJP3 IN, SJP6 pin 1–2, C6 replaced with a short, W1, W2, and T1 removed. A dc source is then applied to SMA J3 to provide the midscale voltage for the positive input signal at J1.

3.1.1.4 Clock Inputs

The EVM provides separate inputs for the ADC clock and output buffer clock. This allows the user to send a modified version of the ADC clock (inverted, delayed, etc.) with the output data to generate the required setup and hold times for the users interface. The ADC clock input is SMA connector J4 with 50- Ω termination. The buffered output clock input is SMA connector J14 with 50- Ω termination. The clock inputs should be 50- Ω square wave signals, 3.3 V referenced to ground, with a duty cycle of $50 \pm 5\%$. The EVM can operate with only one clock input by installing SJP4 and SJP5, and removing R34. Since the input clock will now be terminated at both loads, the clock signal amplitude should be adjusted to provide the appropriate levels at the loads.

3.1.1.5 Control Inputs

The THS1040 has two discrete inputs to control the operation of the device. Table 3–1 describes the operation of the EVM jumpers for THS1040 operation.

Table 3–1. THS1040 Jumper Settings for Control Inputs

| Jumper | Function | Location: Pins 1–2 | Location: Pins 2–3 |
|--------|----------------------|--------------------|--------------------|
| W3 | Power down select | Operate mode | Power down mode |
| W4 | Output enable select | Data bus 3-state | Data bus enabled |

The THS1041 has three internal control registers that put the device into various modes of operation (see data sheet). Writing to the registers is accomplished on the EVM by using the two banks of DIL switches S2 and S3 and reset switch S1. A write operation to the THS1041 is performed as follows:

- 1) Set the DIL switches to the value to be programmed into the THS1041 registers. Each individual DIL switch is referenced to a register bit in either clamp register #1, clamp register #2, or the control register. DAC0 DIL switch through DAC7 DIL switch refers to bits 0–7 of clamp register #1. DAC8 and DAC9 DIL switches refer to bits 0 and 1 of clamp register #2. The DIL labels on S3 map directly to the control register. A DIL switch in the ON position represents a logic 1. Register bits 9 and 8 are automatically set by the PLD during programming.
- 2) Press and release the push button switch S1. All THS1041 registers are now programmed with the DIL switch values by the PLD.

Note:

After first application of power, the values of the DIL switches are automatically programmed into the THS1041 registers.

3.1.1.6 Clamp Interface

The THS1041 has a built-in clamp amplifier whose clamp input level can be driven from an external dc source (SMA connector J6) or from an internal high-precision 10-bit digital clamp level DAC, programmable via an internal clamp register. The clamp function is enabled by inputting a logic high level (AV_{DD}) input to SMA connector J5. The internal register is written to by the DIL switches and the PLD on the EVM. To enable the clamp interface, the following THS1041 internal control register bits and EVM jumpers must be configured as follows:

Table 3–2. THS1041 Internal Control Register Bits and EVM Jumpers

| Clampout Source | Internal Register Bit CLINT | Internal Register Bit CLDIS | Jumper Table (Connection) |
|-----------------|-----------------------------|-----------------------------|---|
| Clampin pin | 0 | 0 | SJP9 pin 1–2, SJP10 pin 1–2, W7 OUT, W8 OUT, W9 IN or W8 IN, W9 OUT |
| Internal DAC | 1 | 0 | |

3.1.1.7 Programmable Gain Amplifier (PGA)

The THS1041 has a built-in 3-bit programmable gain amplifier operated by the internal control register. The gain range is from 0.5 to 4.0. See the data sheet for control register values used to select available gain settings.

3.1.2 References

In addition to the capability to configure the on-chip reference via jumpers, a reference circuit has been included on the EVM. This uses a 1.2-V shunt reference diode (U2) as its primary source, and allows adjustment of the REFT and REFB signals to the ADC using potentiometers R23 and R24, respectively. The ranges of the external reference signals are: REFT, 0.60 V to 2.68 V, REFB, 0 V to 1.79 V. See Chapter 4 for further details on the jumper settings required to use this mode.

3.1.3 Power

Power is supplied to the EVM via banana jack sockets. A separate connection is provided for a 3.3-V analog supply (J8 and J7) and 3.3-V digital supply (J10 and J11). J9 and J16 are only used when reprogramming the PLD device (not required by the user).

3.1.4 Outputs

The data outputs from the ADC are buffered using SN74LVTH162244 before going to header J12. Header J12 is a standard 40-pin device on a 100-mil grid, and allows easy connection to a logic analyzer. The connector pinouts are listed in Table 3–1.

Table 3–3. Output Connector J4

| J4 Pin | Description | J4 Pin | Description |
|--------|------------------|--------|-------------|
| 1 | Data bit 0 (LSB) | 21 | OVR |
| 2 | GND | 22 | GND |
| 3 | Data bit 1 | 23 | |
| 4 | GND | 24 | GND |
| 5 | Data bit 2 | 25 | |
| 6 | GND | 26 | GND |
| 7 | Data bit 3 | 27 | |
| 8 | GND | 28 | GND |
| 9 | Data bit 4 | 29 | |
| 10 | GND | 30 | GND |
| 11 | Data bit 5 | 31 | |
| 12 | GND | 32 | GND |
| 13 | Data bit 6 | 33 | |
| 14 | GND | 34 | GND |
| 15 | Data bit 7 | 35 | |
| 16 | GND | 36 | GND |
| 17 | Data bit 8 | 37 | |
| 18 | GND | 38 | GND |
| 19 | Data bit 9 (MSB) | 39 | CLK |
| 20 | GND | 40 | GND |

Modes of Operation

The EVM can be easily configured, via jumper connections, to operate the THS1040/41 in various modes of operation. Figures 4–1 to 4–4 depict various modes of operation, with Table 4–1 listing the corresponding jumper settings. For further information on these modes of operation, refer to the relevant device data sheet.

Figure 4–1. Differential Input, Internal Reference Mode, 1-V Reference Span

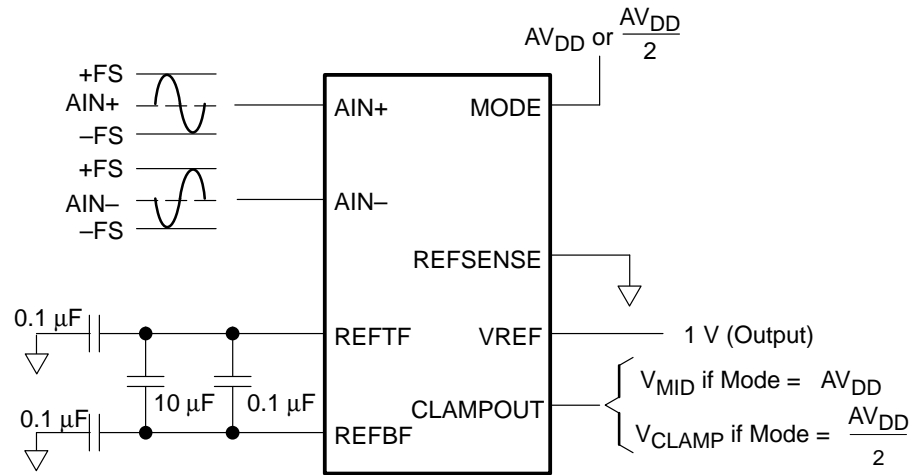


Figure 4–2. Differential Input, Internal Reference Mode, Adjustable Reference Span

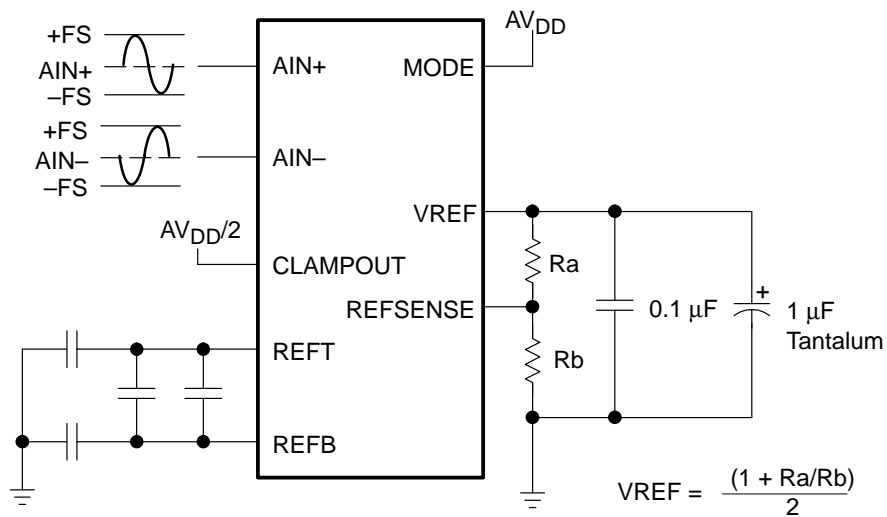


Figure 4–3. Single-Ended Input, Internal ADC References

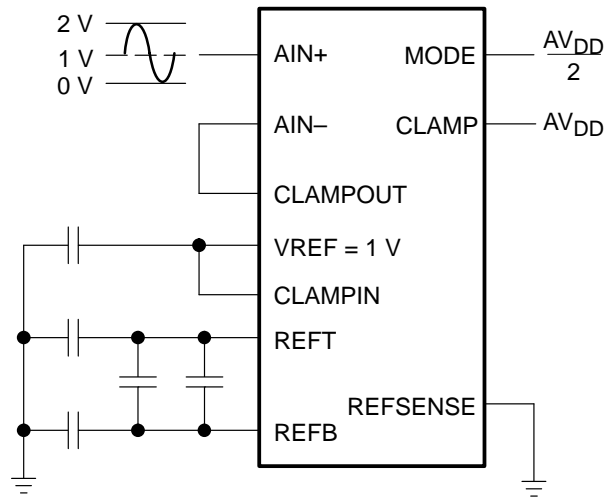


Figure 4–4. Single-Ended Input, External VREF Source

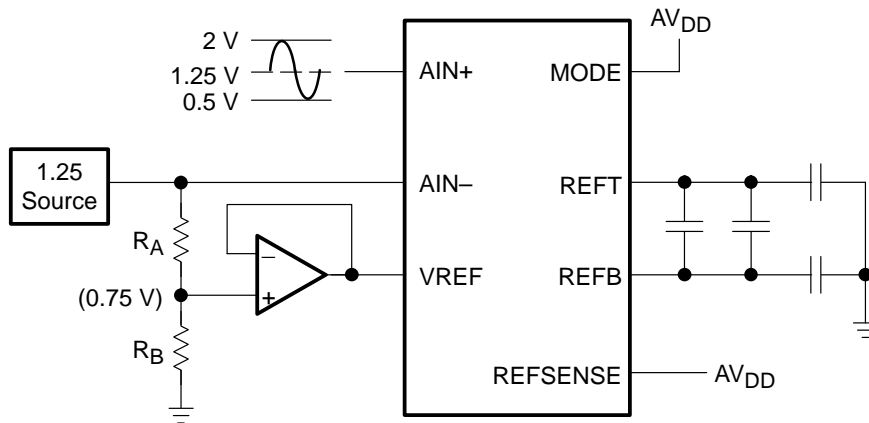


Table 4–1. Board Jumper Settings for Various Modes of Operation

| MODE | SJP1 | SJP2 | SJP3 | SJP6 | SJP9 | SJP10 | W1 | W2 | W5 | W6 | W7 | W8 | W9 | W10 | W11 | W12 | R14 | R15 | T1 |
|---|------|------|------|------|------|-------|-----|-----|-----|-----|-----|-----|-----|-----|-----|------------|-----|-----|-----|
| Differential input, internal reference mode, 1-V reference span | OUT | 1-2 | OUT | 1-2 | OUT | OUT | 1-2 | 1-2 | 1-2 | OUT | IN | OUT | OUT | OUT | OUT | OUT | OUT | OUT | IN |
| Differential input, internal reference mode, 0.5 to 1-V reference span (adjustable) | OUT | 1-2 | OUT | 1-2 | OUT | OUT | 1-2 | 1-2 | OUT | OUT | IN | OUT | OUT | IN | OUT | OUT | IN | IN | IN |
| Single-ended input, internal reference mode, 1-V reference span | IN | 1-2 | OUT | 2-3 | 1-2† | 1-2‡ | 2-3 | OUT | 1-2 | OUT | OUT | IN | OUT | OUT | OUT | 2-3‡ | OUT | OUT | OUT |
| Single-ended input, external VREF | IN | 1-2 | 1-2§ | 2-3 | OUT | OUT | OUT | OUT | 2-3 | OUT | IN | OUT | OUT | OUT | OUT | 1-2 or 2-3 | OUT | OUT | OUT |
| Differential input, internal reference mode, 0.5-V reference span | OUT | 1-2 | OUT | 1-2 | OUT | OUT | 1-2 | 1-2 | OUT | OUT | IN | OUT | OUT | IN | OUT | OUT | OUT | OUT | IN |
| Differential input, external reference mode | OUT | 1-2 | OUT | 1-2 | OUT | OUT | OUT | 2-3 | 2-3 | IN | OUT | OUT | IN | OUT | IN | OUT | OUT | OUT | IN |

† Apply AVDD to J5

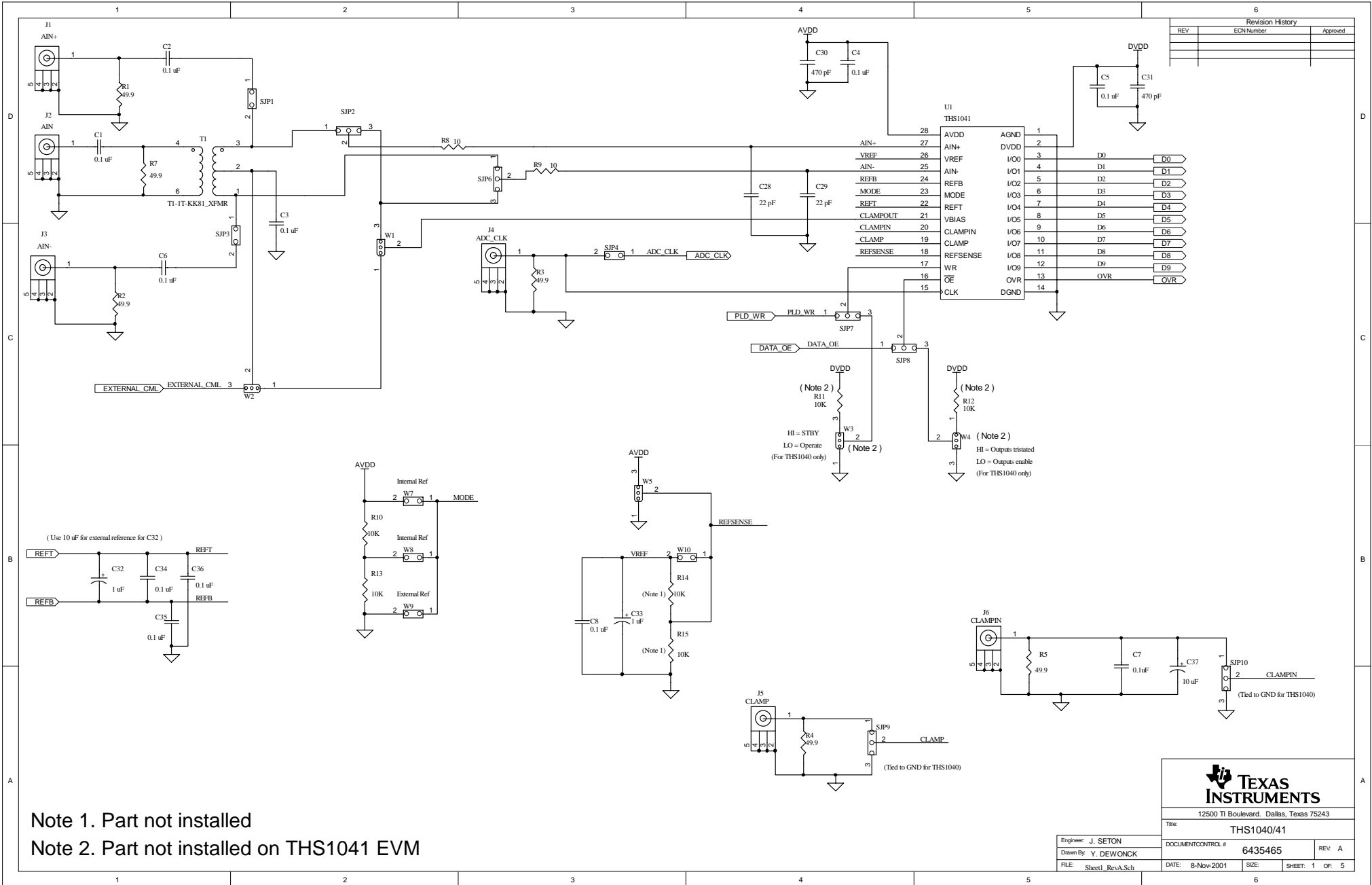
‡ Connect J15 to J6

§ C6 replaced with a short

Schematics

This chapter contains the EVM schematic diagrams.

Figures 5–1 through 5–5 show the schematic diagram for the EVM.



| Revision History | | |
|------------------|------------|----------|
| REV | ECN Number | Approved |
| | | |
| | | |

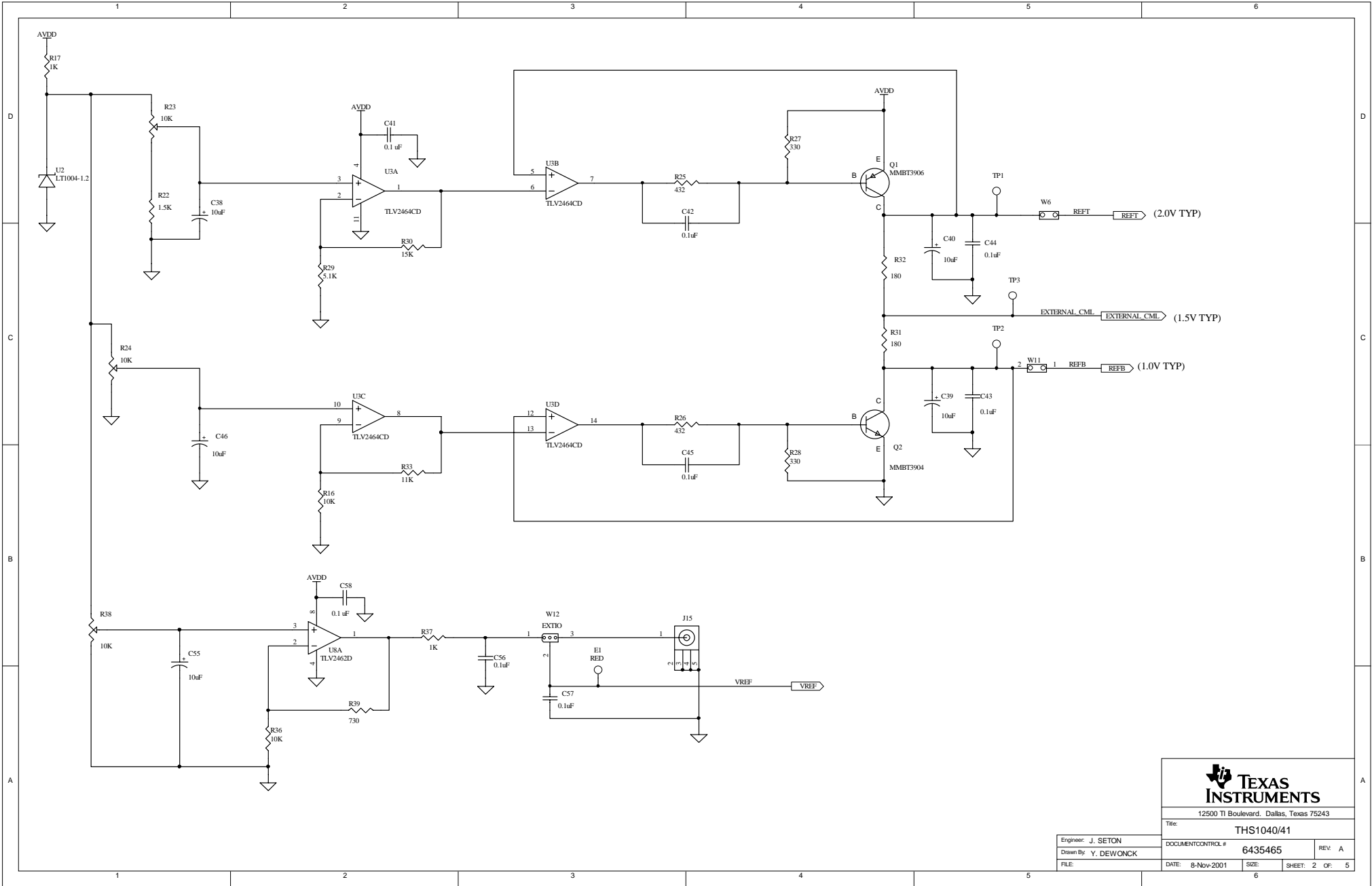
Note 1. Part not installed
 Note 2. Part not installed on THS1041 EVM

TEXAS INSTRUMENTS

12500 TI Boulevard, Dallas, Texas 75243

Title: THS1040/41

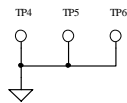
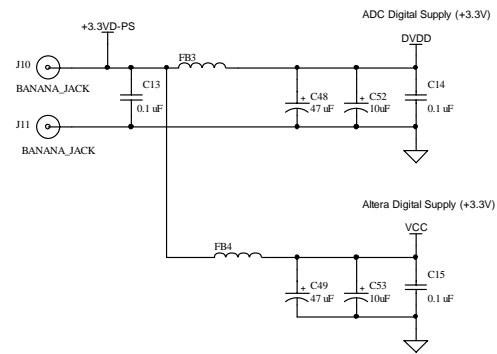
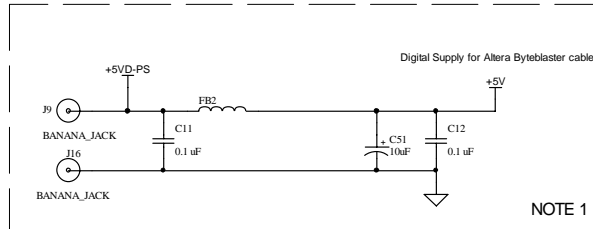
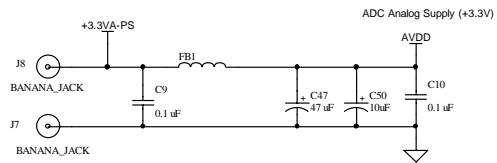
| | | |
|-----------------------|----------------------------|----------------------|
| Engineer: J. SETON | DOCUMENT CONTROL # 6435465 | REV: A |
| Drawn By: Y. DEWONCK | DATE: 8-Nov-2001 | SIZE: SHEET: 1 OF: 5 |
| FILE: Sheet1_RevA.Sch | | |



12500 TI Boulevard, Dallas, Texas 75243

Title: THS1040/41

| | | | |
|----------------------|--------------------|---------|----------------|
| Engineer: J. SETON | DOCUMENT CONTROL # | 6435465 | REV: A |
| Drawn By: Y. DEWONCK | DATE: 8-Nov-2001 | SIZE: | SHEET: 2 OF: 5 |



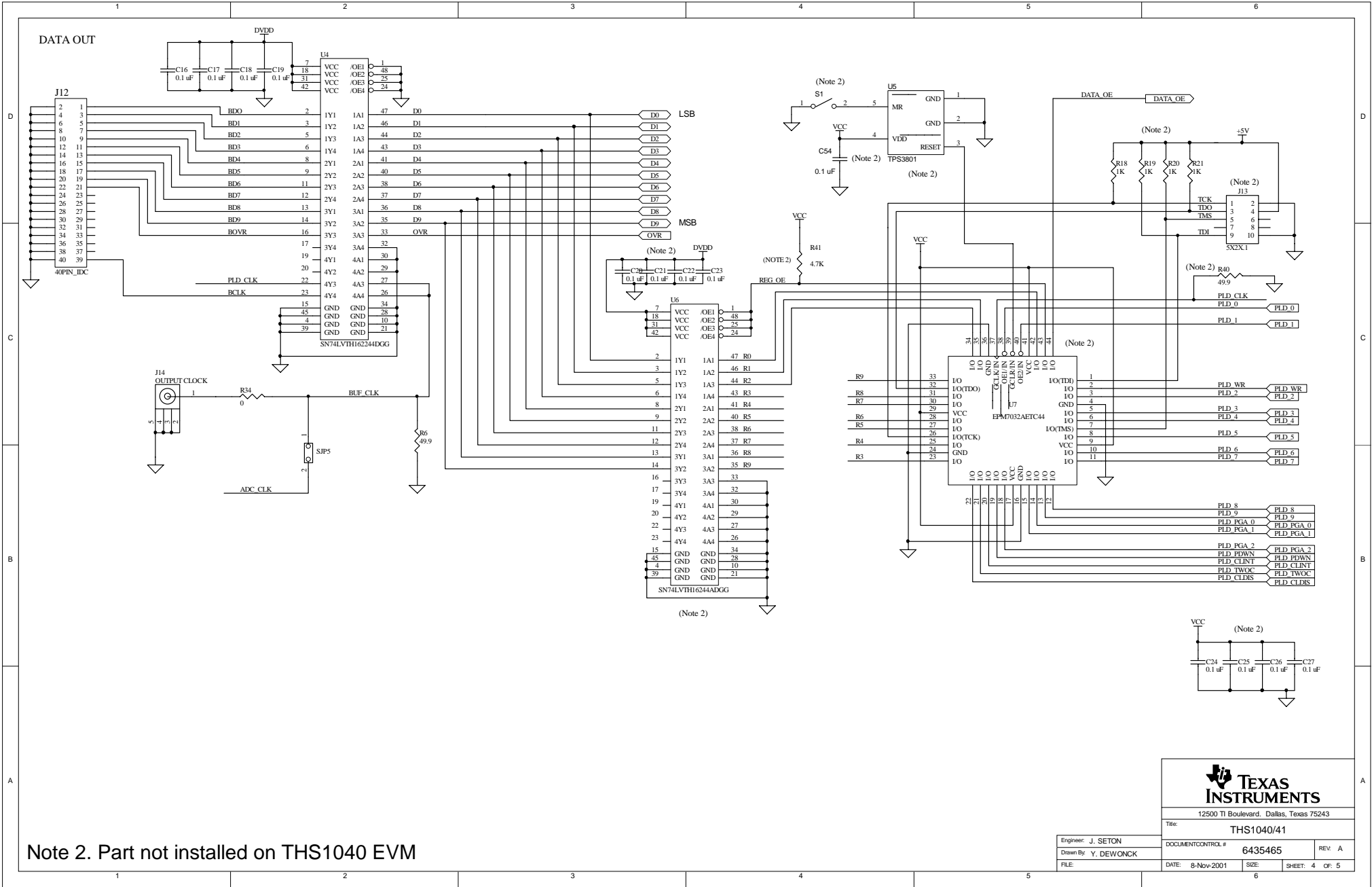
Note 1. Part not installed on THS1040 EVM



12500 TI Boulevard, Dallas, Texas 75243

Title: THS1040/41

| | | |
|----------------------|----------------------------|----------------------|
| Engineer: J. SETON | DOCUMENT CONTROL # 6435465 | REV. A |
| Drawn By: Y. DEWONCK | DATE: 8-Nov-2001 | SIZE: SHEET: 3 OF: 5 |



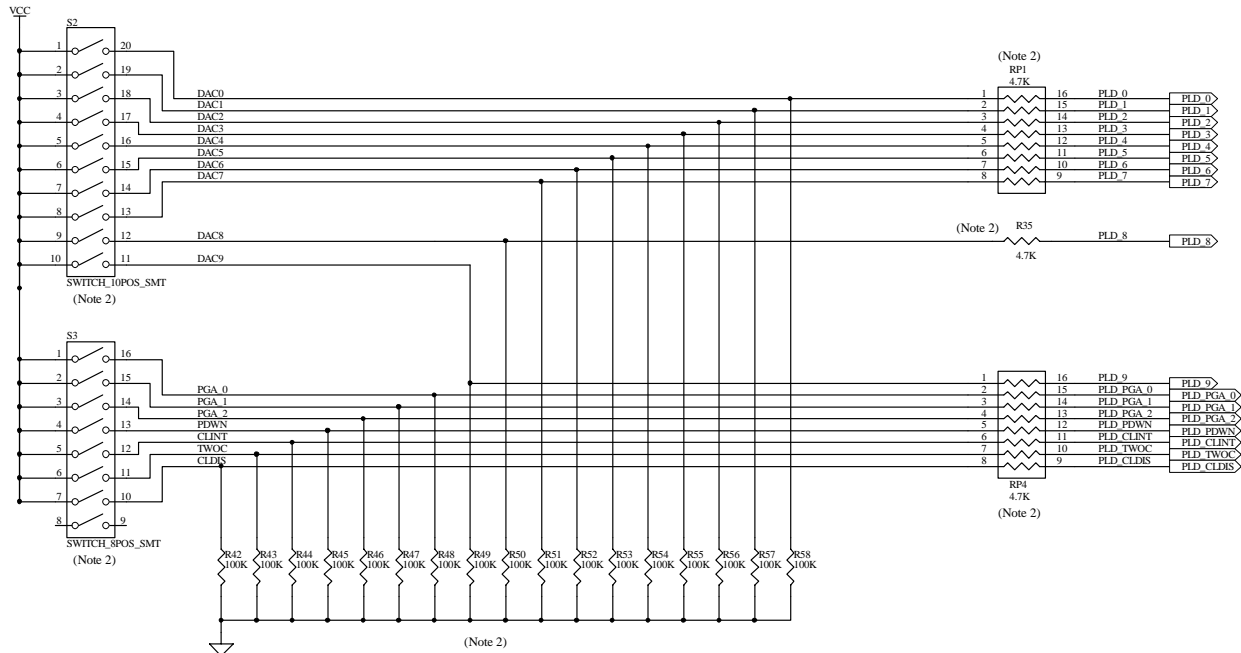
Note 2. Part not installed on THS1040 EVM

| | | |
|---|----------------------------|----------------------|
| | | |
| 12500 TI Boulevard, Dallas, Texas 75243 | | |
| Title: THS1040/41 | | |
| Engineer: J. SETON | DOCUMENT CONTROL # 6435465 | REV. A |
| Drawn By: Y. DEWONCK | DATE: 8-Nov-2001 | SIZE: SHEET: 4 OF: 5 |

1 2 3 4 5 6

D

D



C

C

B

B

A

A

Note 2. Part not installed on THS1040 EVM

TEXAS INSTRUMENTS

12500 TI Boulevard, Dallas, Texas 75243

| | |
|----------------------|---|
| Title: THS1040/41 | |
| Engineer: J. SETON | DOCUMENT CONTROL # 6435465 |
| Drawn By: Y. DEWONCK | REV: A |
| FILE: | DATE: 8-Nov-2001 SIZE: SHEET: 5 OF: 5 |

1 2 3 4 5 6