

## Advanced Li-Ion Charger Development System Control of On-Board Linear Regulator

### Features

- bq2057 charge-control evaluation and development system for single- and dual-cell Li-Ion packs with coke or graphite anodes
- Optional temperature monitoring before and during charge
- Proprietary AutoComp™ charge-rate compensation
- Integrated trickle-charge for conditioning deeply discharged batteries
- Regulated charge current and voltage
- Charge status output for LED or host-processor interface to indicate charge-in-progress, full-capacity, and fault conditions
- Automatic battery-re-charge feature
- Charge termination by minimum current
- Direct battery connection
- 500mA charge rate
- High-side current sensing

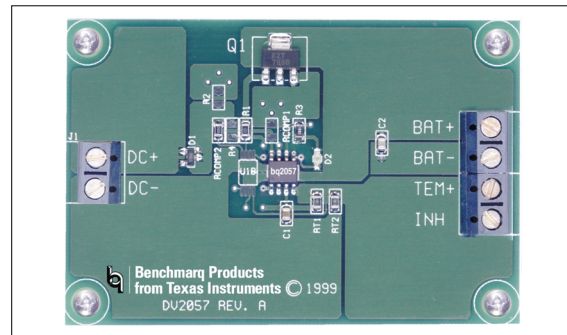
### General Description

The DV2057/C/T/W are complete development and evaluation environments for bq2057 series advanced Li-Ion linear charge management ICs. The DV2057 family supports both single- and dual-cell Li-Ion packs with coke or graphite anodes:

Part Number	Regulation Voltage
DV2057	4.1V
DV2057C	4.2V
DV2057T	8.2V
DV2057W	8.4V

Full charge is preceded by charge qualification based on battery temperature and voltage. The DV2057/C/T/W suspend charge if the battery temperature is outside the  $V_{TS1}$  to  $V_{TS2}$  thresholds and wait until the battery temperature is within the allowed range. The DV2057/C/T/W also check the battery voltage. If the battery voltage is below the low-voltage threshold,  $V_{MIN}$ , the DV2057/C/T/W use trickle charge to condition the battery. The conditioning charge rate,  $I_{COND}$ , is set at

SLUU056A - JANUARY 2000



approximately 10% of the regulation current. The conditioning current also minimizes heat dissipation in the external pass element during the initial stage of charge.

Once the battery voltage reaches the internal threshold,  $V_{MIN}$ , full charge begins. The DV2057/C/T/W complete the charge cycle in two phases. While the pack is below the regulation voltage, a constant-current phase replenishes approximately 70% of battery capacity. An accurate voltage-regulation phase completes the charge. The DV2057/C/T/W terminate charge when the current tapers off to the  $V_{TERM}$  threshold.

These boards feature the proprietary AutoComp technique to compensate safely for the internal impedance of the battery. The AutoComp resistors,  $R_{COMP1}$ , and  $R_{COMP2}$ , must be set according to the characteristics of the battery.

Before using these development boards, please review the bq2057 data sheet.

### Connection Descriptions

J1		
	DC+	Charger supply positive
	DC-	Charger supply ground
J2		
	BAT+	Positive battery terminal
	BAT-	Negative battery terminal
J3		
	TEM+	Thermistor connection
	INH	Charge inhibit input

# DV2057/C/T/W

---

## Configuration

These boards have the following characteristics:

### DV2057/C/T/W Regulation Voltages

Part Number	Regulation Voltage
DV2057	4.1V
DV2057C	4.2V
DV2057T	8.2V
DV2057W	8.4V

- Supply connector J1 accepts a maximum of 16VDC (See the limitation on power dissipation below.)
- Charge begins after application of both of the following:
  - the battery
  - supply voltage
- Temperature sensing: disabled
- AutoComp: disabled

The on-board regulator supplies a charging current of 500mA. This current is controlled by the value of the sense-resistor, R2 in the following equation:

$$I_{CHG} = \frac{0.100}{R_2}$$

As configured, charge can be inhibited by connecting the INH input to DC+ or DC-.

The value of R2 at shipment is 0.2Ω. This resistor can be changed to suit the application. However, the maximum power dissipation in Q1 should not exceed the PD rating. (See recommended DC Operating Conditions.)

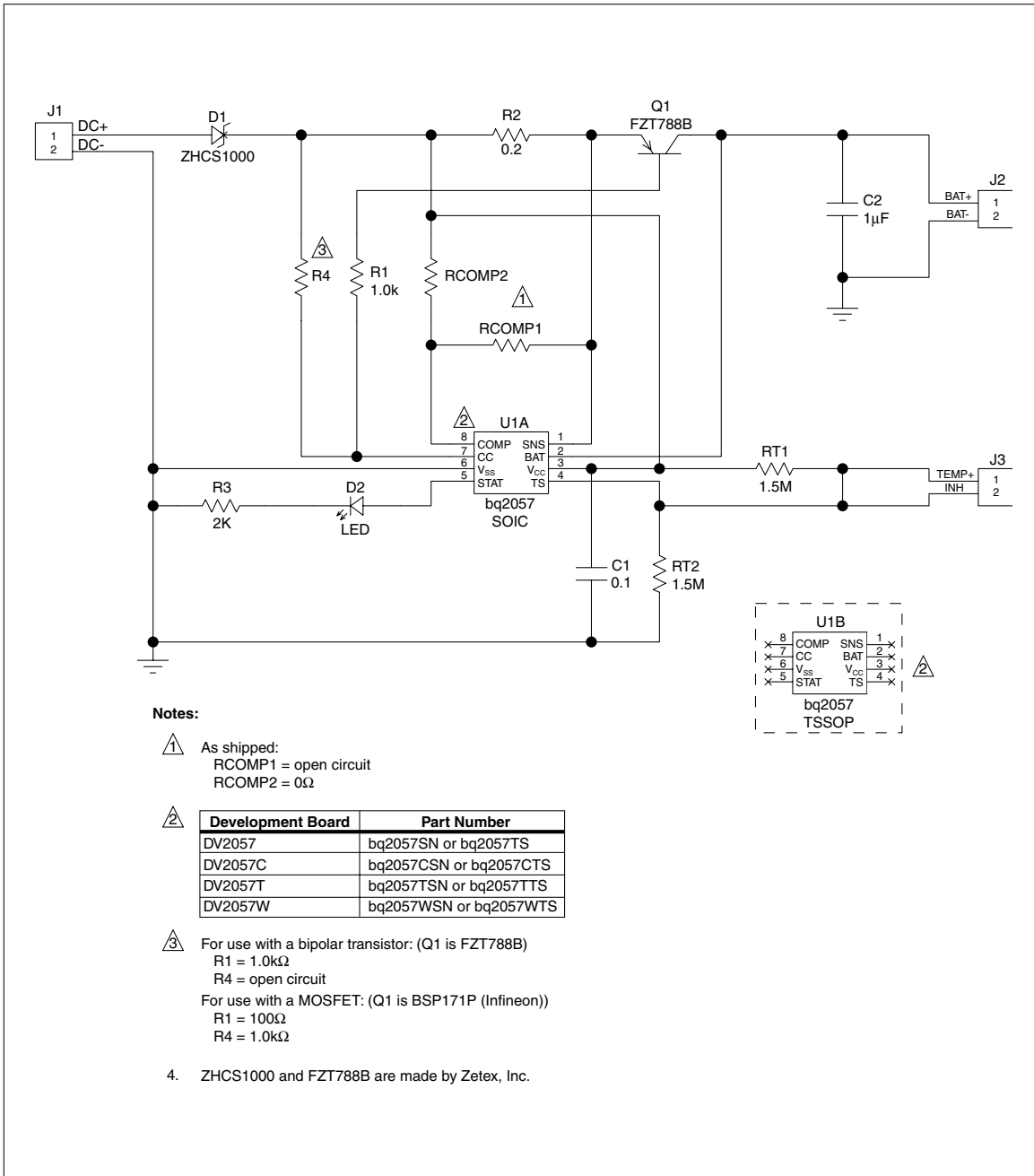
## Setup Procedure

1. Connect the battery pack to J1.
2. Connect the charging supply to J2.

See the bq2057 data sheet for information on configuring the temperature sensing circuit and the AutoComp feature.

As shipped the DV2057/C/T/W uses a bipolar transistor (Q1). Optionally, the user may replace Q1 with a P-channel MOSFET. Please refer to the schematic for details.

DV2057/C/T/W Schematic



## DV2057/C/T/W

---

### Recommended DC Operating Conditions

Symbol	Description	Minimum	Typical	Maximum	Unit	Notes
V <sub>DC</sub>	Input DC voltage	V <sub>BAT</sub> +0.5	-	15	V	See Note.
I <sub>CHG</sub>	Battery charge current	-	-	500	mA	See Note.
V <sub>THERM</sub>	Therm input voltage	0	-	V <sub>DC</sub>	V	
V <sub>INH</sub>	Inhibit input voltage	0	-	V <sub>DC</sub>	V	
V <sub>BAT</sub>	BAT input voltage	0	See Regulation Voltages Table.	V <sub>DC</sub>	V	
P <sub>D</sub>	Power dissipation			1.75	W	At 40°C ambient temperature

**Note:** Power dissipation must not exceed the maximum P<sub>D</sub> rating.

$$P_D = I_{CHG} * (V_{DC} - V_{BAT})$$

### **IMPORTANT NOTICE**

Texas Instruments and its subsidiaries (TI) reserve the right to make changes to their products or to discontinue any product or service without notice, and advise customers to obtain the latest version of relevant information to verify, before placing orders, that information being relied on is current and complete. All products are sold subject to the terms and conditions of sale supplied at the time of order acknowledgement, including those pertaining to warranty, patent infringement, and limitation of liability.

TI warrants performance of its semiconductor products to the specifications applicable at the time of sale in accordance with TI's standard warranty. Testing and other quality control techniques are utilized to the extent TI deems necessary to support this warranty. Specific testing of all parameters of each device is not necessarily performed, except those mandated by government requirements.

CERTAIN APPLICATIONS USING SEMICONDUCTOR PRODUCTS MAY INVOLVE POTENTIAL RISKS OF DEATH, PERSONAL INJURY, OR SEVERE PROPERTY OR ENVIRONMENTAL DAMAGE ("CRITICAL APPLICATIONS"). TI SEMICONDUCTOR PRODUCTS ARE NOT DESIGNED, AUTHORIZED, OR WARRANTED TO BE SUITABLE FOR USE IN LIFE-SUPPORT DEVICES OR SYSTEMS OR OTHER CRITICAL APPLICATIONS. INCLUSION OF TI PRODUCTS IN SUCH APPLICATIONS IS UNDERSTOOD TO BE FULLY AT THE CUSTOMER'S RISK.

In order to minimize risks associated with the customer's applications, adequate design and operating safeguards must be provided by the customer to minimize inherent or procedural hazards.

TI assumes no liability for applications assistance or customer product design. TI does not warrant or represent that any license, either express or implied, is granted under any patent right, copyright, mask work right, or other intellectual property right of TI covering or relating to any combination, machine, or process in which such semiconductor products or services might be or are used. TI's publication of information regarding any third party's products or services does not constitute TI's approval, warranty or endorsement thereof.