

AN–1207 LM2593HV Evaluation Board

1 Specifications of the Board

The board is designed for a nominal DC input of 48 V, but can safely withstand up to 60 V. The regulated DC output is 12 V at a maximum load current of 2A. It uses the adjustable version of the LM2593HV in 7 lead Surface Mount Package (TO263). Relying on careful layout, it eliminates the need for a snubber across the diode and uses a minimum number of components. It has shutdown capability and error flag output available on the board. It incorporates soft-start and delayed output error signaling and has an overall efficiency higher than 85%.

The board uses no external heatsinks, or through-hole parts and is suitable for a fully automatic production process. It requires only 1.7 x 2.0 x 0.7 cu. inches of space. The printed circuit board (PCB) is standard 1.6 mm thick (62 mils) '1/2 oz' double-sided FR4 laminate, with additional cooper plating, totaling a little over 1 oz of copper ("1 oz" is 1.4 mils/35 μ m thick). The traces have been left unmasked to allow solder to deposit on the traces during reflow, so as to aid thermal dissipation. The converter is designed for continuous operation at rated load under natural convection up to a maximum ambient of 40°C.

2 Component Selection

We set:

$$V_{IN} = 48 \text{ V}$$

$$V_O = 12 \text{ V}$$

$$I_O = 2\text{A}$$

2.1 Inductor

'D' is defined as the duty cycle and 'r' is defined as the ripple current ratio $\Delta I/I_O$. For more details on the terms and equations used in this document, see [AN-1197 Selecting Inductors for Buck Converters \(SNVA038\)](#).

r was chosen to be 0.3 in this document as per the design procedure inductor nomographs in the *LM2593HV Simple SWITCHER Power Converter 150 kHz 2A Step-Down Voltage Regulator, With Features Data Sheet (SNVS082)* as well as the guidelines in the refer [AN-1197 Selecting Inductors for Buck Converters \(SNVA038\)](#). 'r' is related to the inductance through [Equation 1](#):

$$r = \frac{E_t}{L \cdot I_{DC}}$$

where

- 'Et' is the applied Voltμsecs
- I_{DC} is the maximum rated load in Amps
- L is the inductance in μ H

(1)

The duty cycle is:

$$D = \frac{V_O + V_D}{V_{IN} - V_{SW} + V_D}$$

where

- V_D is the diode forward voltage drop (≈ 0.5 V)
- V_{SW} is the drop across the switch when it is ON, plus any parasitics (≈ 1.5 V).

$$D = \frac{12 + 0.5}{48 - 1.5 + 0.5} = 0.27 \quad (2)$$

The switch ON-time is:

$$t_{ON} = \frac{D}{f} = \frac{(12 + 0.5) \times 10^6}{(48 - 1.5 + 0.5) \times 150000} \mu\text{secs}$$

- $t_{ON} = 1.77 \mu\text{s}$ (3)

So the Voltμseconds 'Et' is:

$$Et = (V_{IN} - V_{SW} - V_O) \times t_{ON} = (48 - 1.5 - 12) \times 1.77 \text{ V}\mu\text{s}$$

where

- $Et = 61.1 \text{ V}\mu\text{s}$ (4)

Estimated inductance is:

$$L = \frac{Et}{r \times I_0} \mu\text{H}$$

$$L = \frac{61.1}{0.3 \times 2.0} \mu\text{H}$$

where

- $L = 101.8 \mu\text{H}$ (5)

The first pass selection of the inductor is usually on the basis of the inductance calculated above and the max load current. But, if the input voltage exceeds 40 V, as it does here, evaluate the inductor further to ensure that the converter withstands damage if the outputs are overloaded/shorted. A 100 $\mu\text{H}/1.8\text{A}$ drum core type (large inherent air gap) was chosen from Coilcraft, which saturates above 3A. It is designed for a 40°C rise in temperature at a maximum ambient of 85°C. Its use is accepted at a load current slightly higher than its continuous rating since the maximum ambient temperature for the demo-board is only 40°C not 85°C, and since we also know it does not saturate at the maximum load current.

2.2 Input Capacitor

The voltage rating of the input capacitor must be higher than the DC Input. Tantalum capacitors were not considered suitable here due to their 50 V maximum rating, and their inherent surge current limitations (which are always of concern especially at high input voltages). A 63 V aluminum electrolytic SMT capacitor was chosen from Panasonic, sized to handle the RMS current as calculated in [Equation 6](#):

$$I_{RMS_IN} = I_0 \cdot \sqrt{D \cdot \left[1 - D + \frac{r^2}{12} \right]} \text{ A}$$

$$I_{RMS_IN} = 2 \cdot \sqrt{0.27 \cdot \left[1 - 0.27 + \frac{0.3^2}{12} \right]} = 0.89 \text{ A} \quad (6)$$

The capacitor that was chosen is 100 μF with an RMS current rating of 1.02A at 100 kHz.

2.3 Output Capacitor

A capacitor type was chosen similar to the input capacitor mainly for logistic reasons. It was initially sized simply to handle the RMS current as calculated in Equation 7, and with a voltage rating just higher than the output voltage. Subsequently, a Bode plot for the feedback loop confirmed that the phase margin was acceptable at around 40°. This validated the initial selection. The required RMS rating of the output capacitor is:

$$I_{RMS_OUT} = I_o \cdot \frac{r}{\sqrt{12}} \text{ A}$$

$$I_{RMS_OUT} = 2 \cdot \frac{0.3}{\sqrt{12}} = 0.17 \text{ A} \tag{7}$$

The capacitor that was chosen is 47 µF/16 V with an RMS current rating of 0.24A at 100 kHz and an ESR of 0.36 Ω.

2.4 Catch Diode

The voltage rating must be higher than the input voltage. A 60 V Schottky diode was chosen here. The average current in the catch diode is:

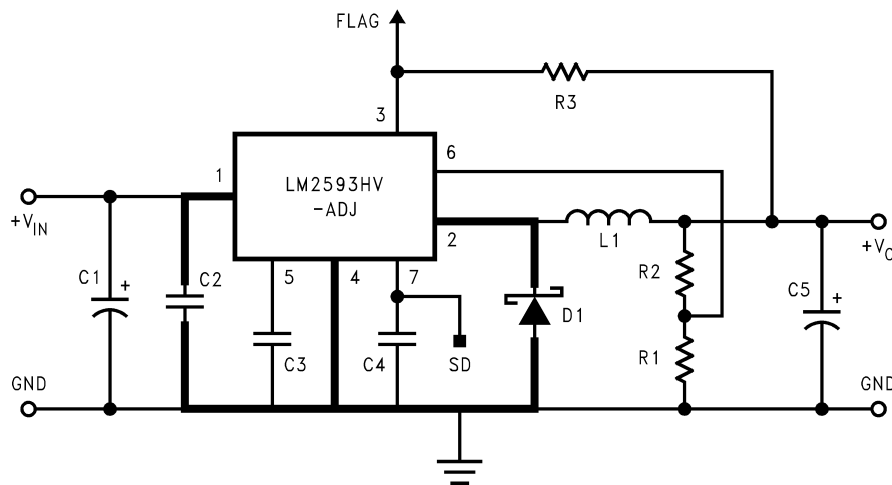
$$I_{AVG_D} = I_o \cdot (1-D)$$

$$I_{AVG_D} = 2 \cdot (1-0.27) = 1.47 \text{ A} \tag{8}$$

Usually the average current would be a starting point for the diode selection. But 60 V Schottky diodes have a higher forward voltage drop than low voltage Schottkys, unless they are 'over-sized' in terms of their current rating. So to force good efficiency, a diode with a 'hot-drop' (the forward drop with the diode hot) was considered of no greater than 0.5 V (at an instantaneous forward current of about 2A). This meant using a 3A/60V Schottky diode from International Rectifier.

3 Schematic

The board schematic is presented in Figure 1. The key layout suggestions are also indicated on the schematic. Shutdown capacity is available and the pinout marked 'SD' on the board can be taken low to cause the output of the converter to fall to 0 V. The 'Flag' pin output is also available and it goes high (pulled up by R3 to the 12 V rail) to indicate that the output is well-regulated. When the output is 'not OK', this pin is pulled down internally by the IC and in this condition it sinks 12 V/21K = 0.6 mA. The maximum voltage on the Flag pin should not exceed 45 V and the current into it should not be higher than 3 mA. Therefore, in this case it cannot be connected directly to the input voltage rail. The resistors R1 and R2 from a simple voltage divider designed to give 1.23 V at the feedback pin when the output is at 12 V.



- A Traces shown in BOLD need to be short (not wide) as they pass high frequency current pulses. Wide copper planes with switching current/voltage can radiate excessively.
- B Trace to Feedback Pin (Pin 6) should not pass directly under L1 (to avoid pickup). b)

Figure 1. Layout Suggestions

4 Layout and Bill of Material (BOM)

The two sides of the board are presented in [Figure 2](#) [Figure 3](#). The Bill of Material is presented in [Table 1](#).

Table 1. Bill of Material

Designator	Description	Manufacturer	Part Number	Quantity
U1	LM2593	Texas Instruments	LM2593	1
D1	3A/60V Schottky	International Rectifier	MBRS360TR	1
L1	100 μ H/1.8A	Coilcraft	DO5022-104	1
C1	100 μ F/63 V	Panasonic	EEVFC1J101Q	1
C2, C3, C4	0.1 μ F/100 V	Vishay-Vitramon	VJ1206Y104KXBA	3
C5	47 μ F/16 V	Panasonic	EEVFK1C470P	1
R1	2.37K/1%	Vishay	CRCW12062371F	1
R2, R3	21K/1%	Vishay	CRCW12062102F	2

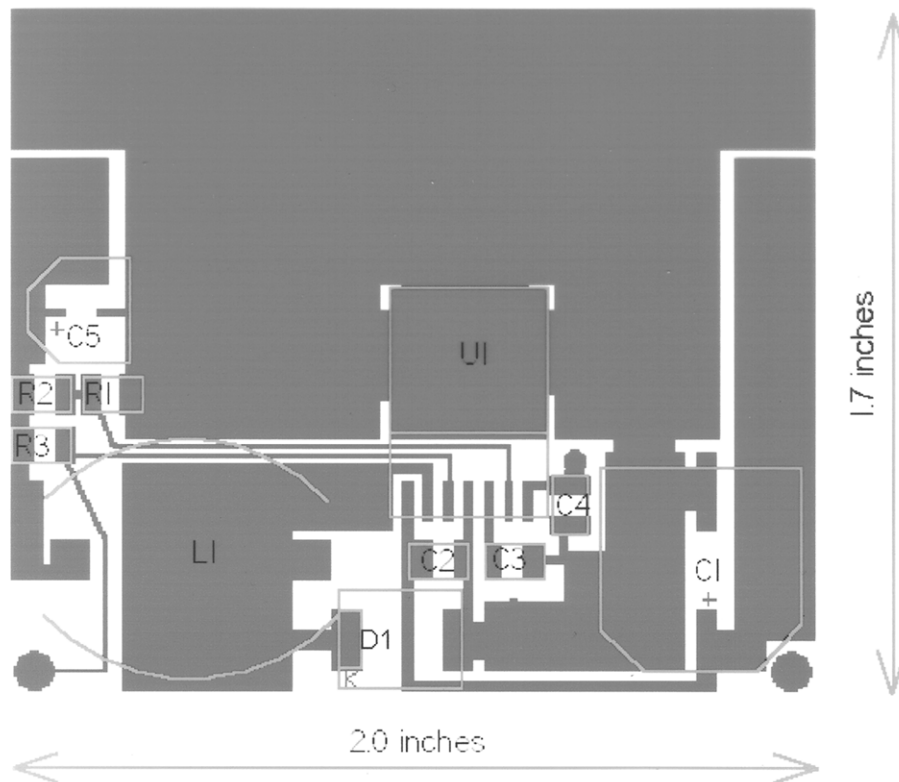


Figure 2. Top Side (Component Side) of PCB

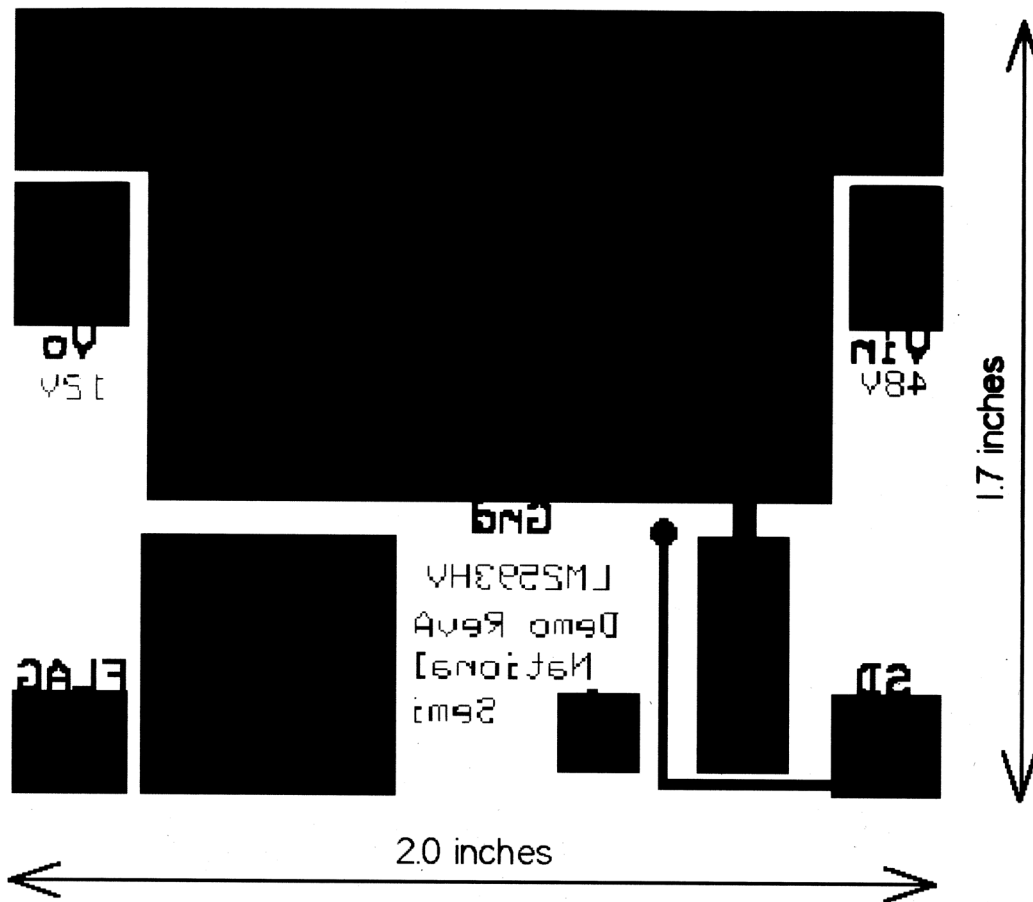


Figure 3. Bottom Side of PCB Viewed From Top

5 References

- AN-1197 *Selecting Inductors for Buck Converters* ([SNVA038](#))
- LM2593HV *Simple SWITCHER Power Converter 150 kHz 2A Step-Down Voltage Regulator, With Features Data Sheet* ([SNVS082](#))

IMPORTANT NOTICE

Texas Instruments Incorporated and its subsidiaries (TI) reserve the right to make corrections, enhancements, improvements and other changes to its semiconductor products and services per JESD46, latest issue, and to discontinue any product or service per JESD48, latest issue. Buyers should obtain the latest relevant information before placing orders and should verify that such information is current and complete. All semiconductor products (also referred to herein as "components") are sold subject to TI's terms and conditions of sale supplied at the time of order acknowledgment.

TI warrants performance of its components to the specifications applicable at the time of sale, in accordance with the warranty in TI's terms and conditions of sale of semiconductor products. Testing and other quality control techniques are used to the extent TI deems necessary to support this warranty. Except where mandated by applicable law, testing of all parameters of each component is not necessarily performed.

TI assumes no liability for applications assistance or the design of Buyers' products. Buyers are responsible for their products and applications using TI components. To minimize the risks associated with Buyers' products and applications, Buyers should provide adequate design and operating safeguards.

TI does not warrant or represent that any license, either express or implied, is granted under any patent right, copyright, mask work right, or other intellectual property right relating to any combination, machine, or process in which TI components or services are used. Information published by TI regarding third-party products or services does not constitute a license to use such products or services or a warranty or endorsement thereof. Use of such information may require a license from a third party under the patents or other intellectual property of the third party, or a license from TI under the patents or other intellectual property of TI.

Reproduction of significant portions of TI information in TI data books or data sheets is permissible only if reproduction is without alteration and is accompanied by all associated warranties, conditions, limitations, and notices. TI is not responsible or liable for such altered documentation. Information of third parties may be subject to additional restrictions.

Resale of TI components or services with statements different from or beyond the parameters stated by TI for that component or service voids all express and any implied warranties for the associated TI component or service and is an unfair and deceptive business practice. TI is not responsible or liable for any such statements.

Buyer acknowledges and agrees that it is solely responsible for compliance with all legal, regulatory and safety-related requirements concerning its products, and any use of TI components in its applications, notwithstanding any applications-related information or support that may be provided by TI. Buyer represents and agrees that it has all the necessary expertise to create and implement safeguards which anticipate dangerous consequences of failures, monitor failures and their consequences, lessen the likelihood of failures that might cause harm and take appropriate remedial actions. Buyer will fully indemnify TI and its representatives against any damages arising out of the use of any TI components in safety-critical applications.

In some cases, TI components may be promoted specifically to facilitate safety-related applications. With such components, TI's goal is to help enable customers to design and create their own end-product solutions that meet applicable functional safety standards and requirements. Nonetheless, such components are subject to these terms.

No TI components are authorized for use in FDA Class III (or similar life-critical medical equipment) unless authorized officers of the parties have executed a special agreement specifically governing such use.

Only those TI components which TI has specifically designated as military grade or "enhanced plastic" are designed and intended for use in military/aerospace applications or environments. Buyer acknowledges and agrees that any military or aerospace use of TI components which have **not** been so designated is solely at the Buyer's risk, and that Buyer is solely responsible for compliance with all legal and regulatory requirements in connection with such use.

TI has specifically designated certain components as meeting ISO/TS16949 requirements, mainly for automotive use. In any case of use of non-designated products, TI will not be responsible for any failure to meet ISO/TS16949.

Products

Audio	www.ti.com/audio
Amplifiers	amplifier.ti.com
Data Converters	dataconverter.ti.com
DLP® Products	www.dlp.com
DSP	dsp.ti.com
Clocks and Timers	www.ti.com/clocks
Interface	interface.ti.com
Logic	logic.ti.com
Power Mgmt	power.ti.com
Microcontrollers	microcontroller.ti.com
RFID	www.ti-rfid.com
OMAP Applications Processors	www.ti.com/omap
Wireless Connectivity	www.ti.com/wirelessconnectivity

Applications

Automotive and Transportation	www.ti.com/automotive
Communications and Telecom	www.ti.com/communications
Computers and Peripherals	www.ti.com/computers
Consumer Electronics	www.ti.com/consumer-apps
Energy and Lighting	www.ti.com/energy
Industrial	www.ti.com/industrial
Medical	www.ti.com/medical
Security	www.ti.com/security
Space, Avionics and Defense	www.ti.com/space-avionics-defense
Video and Imaging	www.ti.com/video

TI E2E Community

e2e.ti.com