

AN-1647 LM3687 Evaluation Board

1 Introduction

This evaluation board is designed to enable independent evaluation of the LM3687 electrical performance. Each board is pre-assembled and tested in the factory.

The evaluation kit is available in two options: LM3687TL-1812EV and LM3687TL-1815EV. For other voltage options, the device can be ordered from LM3687 product folder on the [TI website](#).

The board contains the LM3687, an inductor, and input and output capacitors connected to GND.

This user's guide contains information about the evaluation board. For further information on device electrical characteristics and component selection, please refer to *LM3687 Step-Down DC-DC Converter with Integrated Low Dropout Regulator and Startup Mode* ([SNVS473](#)).

2 General Description

The LM3687 is a high efficiency synchronous switching step-down DC-DC converter with an integrated low dropout Linear Regulator optimized for powering ultra-low voltage circuits from a single Li-Ion cell or 3 cell NiMH/NiCd batteries. It provides a dual output with fixed output voltages and combined load current up to 750mA in post regulation mode or 1100mA in independent mode of operation.

The LM3687 is capable of operating with input voltage ranges from $2.7V \leq V_{BATT} \leq 5.5V$ and $0.7V \leq V_{IN_LIN} \leq 4.5V$.

It also features internal protection against short-circuit and over-temperature conditions.

For the Evaluation Board the typical post regulation application is realized: the output voltage of the DC-DC converter is used as supply for the linear regulator ($V_{OUT_DCDC} = V_{IN_LIN}$). Thereby a higher efficiency and lower power dissipation of the system can be achieved compared to using the battery voltage V_{BATT} as supply for the linear regulator (V_{IN_LIN}).

For both available evaluation kit options the output voltage of the DC-DC converter is 1.8V and therefore sufficiently high as supply for both linear regulator output voltage options (the power input voltage applied at V_{IN_LIN} should be at least 0.25V above the nominal output voltage of the linear regulator). V_{BATT} should be at least 1.5V above the output voltage of the linear regulator (V_{OUT_LIN}) and 1.0V above the output voltage of the DC-DC converter (V_{OUT_DCDC}) (with a minimum of 2.7V) to operate the device within operating conditions. That means for the 1.8V-1.2V combination, the minimum $V_{BATT} = 2.8V$ and for the 1.8V-1.5V combination it is 3.0V.

Input connections should be kept reasonably short (<20cm) to minimize input inductance and ensure optimum transient performance. It's good practice to twist the wires to the supply for minimum inductance.

ON/OFF control of the LM3687 outputs is provided on the evaluation board by a logic signal applied to the enable pins V_{EN_DCDC} and V_{EN_LIN} . To simplify the enabling of the outputs, two 'three pin jumpers' are provided on the board:

- J5 to enable the DC-DC converter
- J6 to enable the linear regulator

The middle pins of the two jumpers are directly connected to the appropriate enable pins of the device. A logic signal with a minimum of 1.0V to enable the output or with a maximum of 0.4V to disable it can be directly connected to this jumper pin in the middle. Alternatively the middle pin can be shorted to the pin next to it to the left (marked ON, shorted to V_{BATT}) or to the right.

A load of up to 750mA maximum may be connected from the V_{OUT_DCDC} pin to GND if no additional load is applied at the output of the linear regulator. For V_{OUT_LIN} , the maximum load is 350mA. As in the typical post regulation application the load of the linear regulator is supplied by the DC-DC converter, the combined maximum load conditions are:

350mA at V_{OUT_LIN} plus 400mA at V_{OUT_DCDC} .

At the top of the board the output voltage option (1812 or 1815) is printed.

The 'connectors' J1, J2, J3, and J4 represents a 'sense path' to V_{OUT_DCDC} , V_{IN_LIN} , V_{BATT} and V_{OUT_LIN} . They can be used for more precise voltage measurements or to connect a differential probe.

In case the two regulators shall be operated independently instead of in the post regulation mode, the connection from V_{OUT_DCDC} to V_{IN_LIN} can be removed by cutting the trace between the two pads at JP1. Then an external source needs to be connected to V_{IN_LIN} . V_{BATT} is still needed for the linear regulator as well, it supplies internal circuitry. **It's important that V_{IN_LIN} does not exceed V_{BATT} at any time.** An input capacitor of 1.0 μ F at V_{IN_LIN} needs to be added if no other filter bypass capacitor is present in this supply path.

3 Schematic Diagram

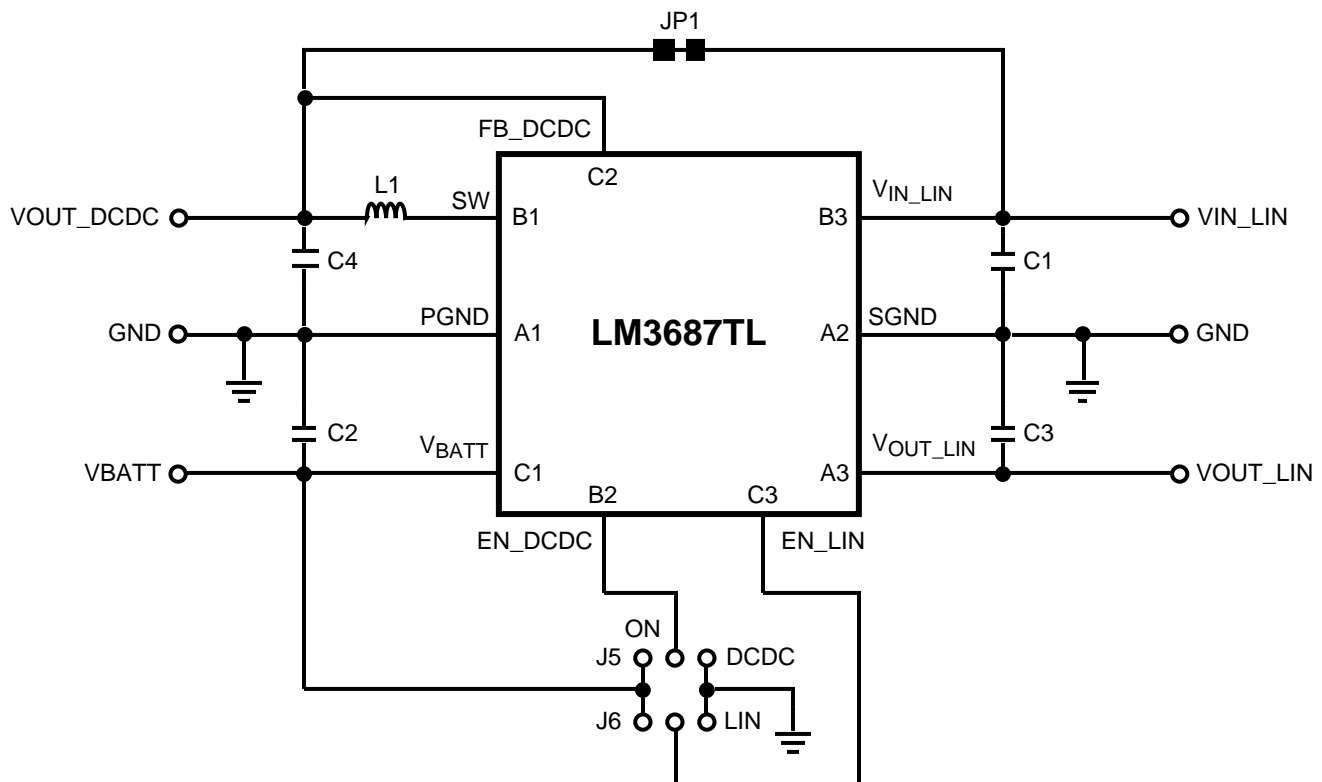


Figure 1. Evaluation Board Schematic

4 Evaluation Board Top Layer Layout

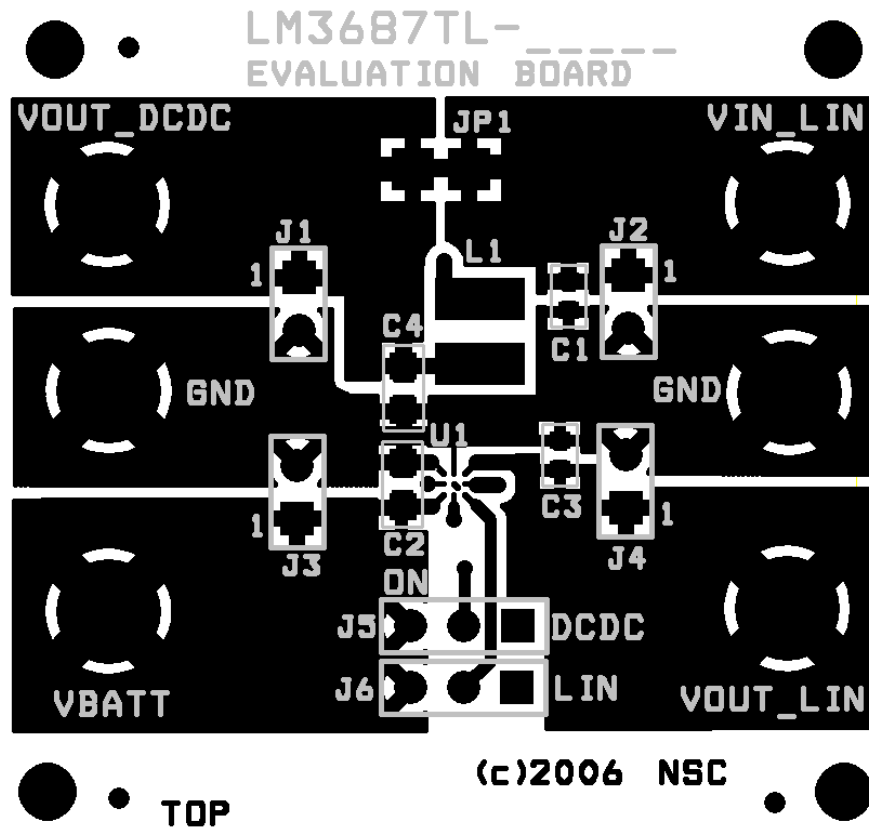


Figure 2. Top Layer Board Layout
Board Size: 40mm x 45mm

5 Evaluation Board Picture Top Side

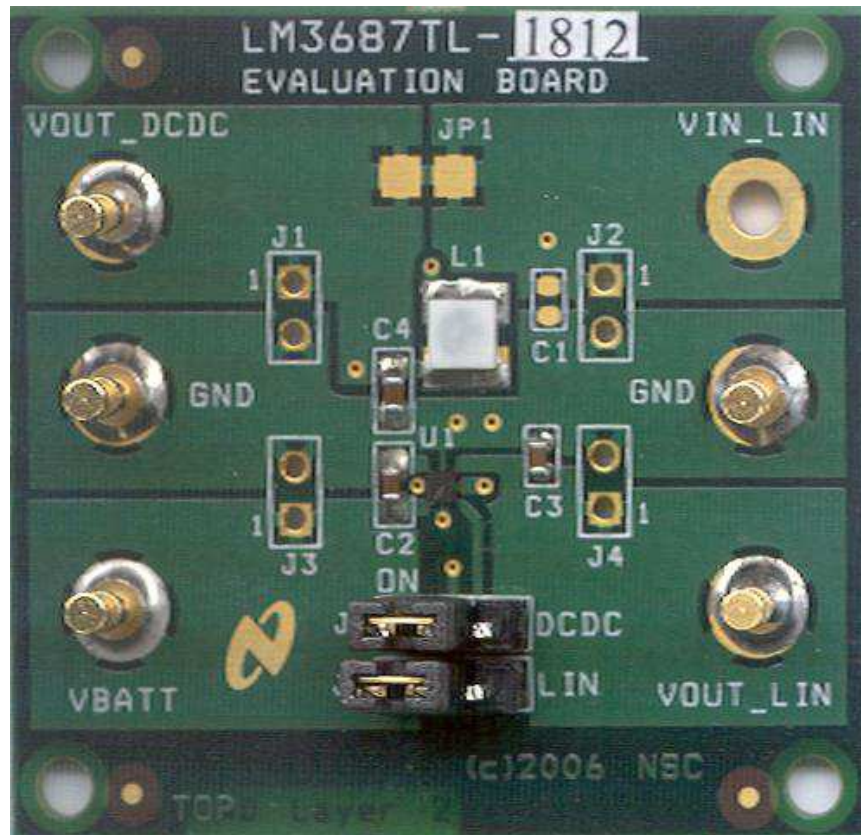


Figure 3. Picture Top Side

6 Connection Diagram

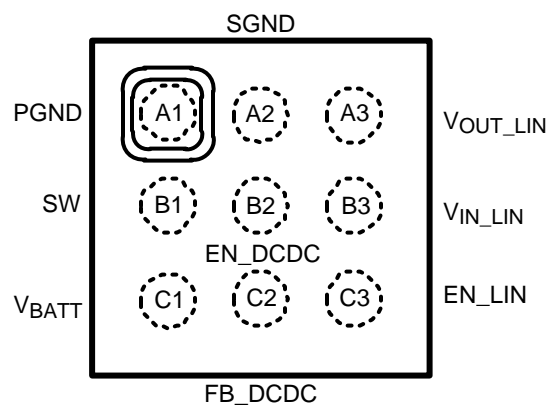


Figure 4. Connection Diagram 9-Bump Thin DSBGA Package, Large Bump, 0.5mm Pitch

Table 1. Pin Descriptions

Pin #	Name	Description
A1	PGND	Power Ground pin
A2	SGND	Signal Ground pin
A3	V _{OUT_LIN}	Voltage Output of the linear regulator
B1	SW	Switching Node Connection to the internal PFET switch and NFET synchronous rectifier
B2	EN_DCDC	Enable Input for the DC-DC converter. The DC-DC converter is in shutdown mode if voltage at this pin is < 0.4V and enabled if > 1.0V. Do not leave this pin floating. See Table 2 .
B3	V _{IN_LIN}	Power Supply Input for the linear regulator
C1	V _{BATT}	Power Supply for the DC-DC output stage and internal circuitry. Connected to the input filter capacitor.
C2	FB_DCDC	Feedback Analog Input for the DC-DC converter. Directly connected to the output filter capacitor.
C3	EN_LIN	Enable Input for the linear regulator. The linear regulator is in shutdown mode if voltage at this pin is < 0.4V and enabled if > 1.0V. Do not leave this pin floating. See Table 2 .

Table 2. Enable Combinations

EN_DCDC	EN_LIN	Comments
0	0	No Outputs
0	1	Linear Regulator enabled only ⁽¹⁾
1	0	DC-DC converter enabled only
1	1	DC-DC converter and linear regulator active ⁽¹⁾

⁽¹⁾ Startup Mode:

- V_{IN_LIN} must be higher than V_{OUT_LIN(NOM)} + 200mV in order to enable the main regulator (I_{MAX} = 350mA).
- If V_{IN_LIN} < V_{OUT_LIN(NOM)} + 100mV (100mV hysteresis), the startup LDO (I_{MAX} = 50mA) is active, supplied from V_{BATT}. For example in the typical post regulation application, the LDO will remain in startup mode until the DC-DC converter has ramped up its output voltage.

7 Bill of Materials

Table 3. Bill of Materials

Item	Description	Qty	Footprint	Mfg., Part Number
C1	C _{IN_LIN} , ceramic capacitor, 1μF, X5R at V _{IN_LIN} , optional, not needed in post regulation application due to C4	0	0603 / 0402	
C2	C _{BATT} , ceramic capacitor, 4.7μF, X5R at V _{BATT}	1	0805 / 0603	TDK, C1608X5R1A475K
C3	C _{OUT_LIN} , ceramic capacitor, 2.2μF, X5R at V _{OUT_LIN}	1	0603 / 0402	TDK, C1608X5R1A225K
C4	C _{OUT_DCDC} , ceramic capacitor, 10μF, X5R at V _{OUT_DCDC}	1	0805 / 0603	TDK, C1608X5R0J106K
L1	Inductor, 2.2μH, 1.6A I _{SAT}	1		Coilcraft, DO3314-222MLB
U1	LM3687	1	9-bump DSBGA YZR0009BBA	Texas Instruments, LM3687
V _{BATT} , V _{OUT_DCDC} , V _{OUT_LIN} , 2x GND	Terminal	5		Cambion, 160-1026-02-05
J5, J6	3 pin jumper for enable function	2		

8 Application Hints

8.1 Power Dissipation and Device Operation

The permissible power dissipation for any package is a measure of the capability of the device to pass heat from the power source, the junctions of the IC, to the ultimate heat sink, the ambient environment. Thus the power dissipation is dependent on the ambient temperature and the thermal resistance across the various interfaces between the die and ambient air.

The allowable power dissipation for the device in a given package can be calculated using the following equation:

$$P_{D_SYS} = (T_{J(MAX)} - T_A) / \theta_{JA} \quad (1)$$

For the LM3687 there are two different main sources contributing to the systems power dissipation (P_{D_SYS}):

- the DC-DCconverter (P_{D_DCDC})
- the linear regulator (P_{D_LIN})

Neglecting switching losses and quiescent currents these two main contributors can be estimated by the following equations:

$$P_{D_LIN} = (V_{IN_LIN} - V_{OUT_LIN}) \times I_{OUT_LIN} \quad (2)$$

$$P_{D_DCDC} = I_{OUT_DCDC}^2 \times [(R_{DS(ON)(P)} \times D) + (R_{DS(ON)(N)} \times (1 - D))] \quad (3)$$

with duty cycle $D = V_{OUT_DCDC} / V_{BATT}$.

As an example, assuming the typical post regulation application, the conversion from $V_{BATT} = 3.6V$ to $V_{OUT_DCDC} = 1.8V$ and further to $V_{OUT_LIN} = 1.5V$, at maximum load currents, results in following power dissipations:

$$P_{D_DCDC} = (0.75A)^2 \times (0.38\Omega \times 1.8V / 3.6V + 0.25\Omega \times (1 - 1.8V / 3.6V)) = 177mW \text{ and}$$

$$P_{D_LIN} = (1.8V - 1.5V) \times 0.35A = 105mW$$

$$P_{D_SYS} = 282mW$$

With a $\theta_{JA} = 70^\circ C/W$ for the DSBGA 9 package, this P_{D_SYS} will cause a rise of the junction temperature T_J of:

$$\Delta T_J = P_{D_SYS} \times \theta_{JA} = 20K$$

For the same conditions but the linear regulator biased from V_{BATT} , this results in a P_{D_LIN} of 735mW, $P_{D_DCDC} = 50mW$ (because $I_{OUT_DCDC} = 400mA$) and therefore an increase of $T_J = 55K$. As lower total power dissipation translates to higher efficiency this example highlights the advantage of the post regulation setup.

IMPORTANT NOTICE

Texas Instruments Incorporated and its subsidiaries (TI) reserve the right to make corrections, enhancements, improvements and other changes to its semiconductor products and services per JESD46, latest issue, and to discontinue any product or service per JESD48, latest issue. Buyers should obtain the latest relevant information before placing orders and should verify that such information is current and complete. All semiconductor products (also referred to herein as "components") are sold subject to TI's terms and conditions of sale supplied at the time of order acknowledgment.

TI warrants performance of its components to the specifications applicable at the time of sale, in accordance with the warranty in TI's terms and conditions of sale of semiconductor products. Testing and other quality control techniques are used to the extent TI deems necessary to support this warranty. Except where mandated by applicable law, testing of all parameters of each component is not necessarily performed.

TI assumes no liability for applications assistance or the design of Buyers' products. Buyers are responsible for their products and applications using TI components. To minimize the risks associated with Buyers' products and applications, Buyers should provide adequate design and operating safeguards.

TI does not warrant or represent that any license, either express or implied, is granted under any patent right, copyright, mask work right, or other intellectual property right relating to any combination, machine, or process in which TI components or services are used. Information published by TI regarding third-party products or services does not constitute a license to use such products or services or a warranty or endorsement thereof. Use of such information may require a license from a third party under the patents or other intellectual property of the third party, or a license from TI under the patents or other intellectual property of TI.

Reproduction of significant portions of TI information in TI data books or data sheets is permissible only if reproduction is without alteration and is accompanied by all associated warranties, conditions, limitations, and notices. TI is not responsible or liable for such altered documentation. Information of third parties may be subject to additional restrictions.

Resale of TI components or services with statements different from or beyond the parameters stated by TI for that component or service voids all express and any implied warranties for the associated TI component or service and is an unfair and deceptive business practice. TI is not responsible or liable for any such statements.

Buyer acknowledges and agrees that it is solely responsible for compliance with all legal, regulatory and safety-related requirements concerning its products, and any use of TI components in its applications, notwithstanding any applications-related information or support that may be provided by TI. Buyer represents and agrees that it has all the necessary expertise to create and implement safeguards which anticipate dangerous consequences of failures, monitor failures and their consequences, lessen the likelihood of failures that might cause harm and take appropriate remedial actions. Buyer will fully indemnify TI and its representatives against any damages arising out of the use of any TI components in safety-critical applications.

In some cases, TI components may be promoted specifically to facilitate safety-related applications. With such components, TI's goal is to help enable customers to design and create their own end-product solutions that meet applicable functional safety standards and requirements. Nonetheless, such components are subject to these terms.

No TI components are authorized for use in FDA Class III (or similar life-critical medical equipment) unless authorized officers of the parties have executed a special agreement specifically governing such use.

Only those TI components which TI has specifically designated as military grade or "enhanced plastic" are designed and intended for use in military/aerospace applications or environments. Buyer acknowledges and agrees that any military or aerospace use of TI components which have **not** been so designated is solely at the Buyer's risk, and that Buyer is solely responsible for compliance with all legal and regulatory requirements in connection with such use.

TI has specifically designated certain components as meeting ISO/TS16949 requirements, mainly for automotive use. In any case of use of non-designated products, TI will not be responsible for any failure to meet ISO/TS16949.

Products

Audio	www.ti.com/audio
Amplifiers	amplifier.ti.com
Data Converters	dataconverter.ti.com
DLP® Products	www.dlp.com
DSP	dsp.ti.com
Clocks and Timers	www.ti.com/clocks
Interface	interface.ti.com
Logic	logic.ti.com
Power Mgmt	power.ti.com
Microcontrollers	microcontroller.ti.com
RFID	www.ti-rfid.com
OMAP Applications Processors	www.ti.com/omap
Wireless Connectivity	www.ti.com/wirelessconnectivity

Applications

Automotive and Transportation	www.ti.com/automotive
Communications and Telecom	www.ti.com/communications
Computers and Peripherals	www.ti.com/computers
Consumer Electronics	www.ti.com/consumer-apps
Energy and Lighting	www.ti.com/energy
Industrial	www.ti.com/industrial
Medical	www.ti.com/medical
Security	www.ti.com/security
Space, Avionics and Defense	www.ti.com/space-avionics-defense
Video and Imaging	www.ti.com/video

TI E2E Community

e2e.ti.com