

Serial-to-Ethernet (S2E) Module

Ordering Information

Order No.	Description
MDL-S2E	Stellaris® Serial-to-Ethernet Module for Single-Unit Packaging
MDL-S2E-B	Stellaris® Serial-to-Ethernet Module for Volume Packaging
RDK-S2E	Stellaris® Serial-to-Ethernet Reference Design Kit (includes MDL-S2E board)

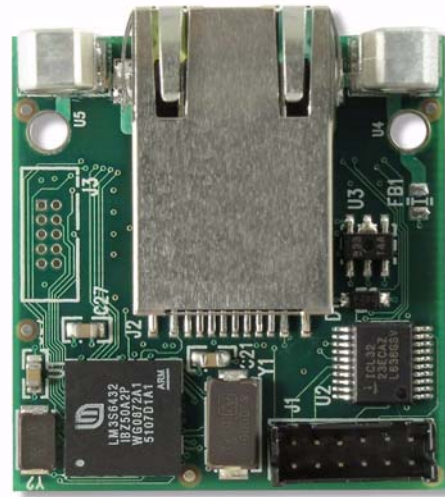


Figure 1. Serial-to-Ethernet Module

Contents

General Description	1
Features	1
Module Block Diagram	2
Operational Specifications	3
Mechanical Specifications	3
Parameter Specifications	5
Additional Information	6

General Description

The Serial-to-Ethernet (S2E) module is a simple add-on product that provides serial to Ethernet communications. Existing systems that lack Ethernet connectivity but have a UART or RS-232 port can be easily upgraded by the addition of the S2E module. A web server supports module configuration from any web browser.

The Serial-to-Ethernet Reference Design Kit (RDK) adds a second board (S2E-CKIT) with connectors and cables for easy connection to a PC.

Features

The MDL-S2E module provides the following features:

- LM3S6432 microcontroller in a 10 x 10 mm BGA package for reduced board size
- 10/100 Mbit Ethernet port
 - Auto MDI/MDIX
 - Traffic and link indicators

BOARD DATA SHEET

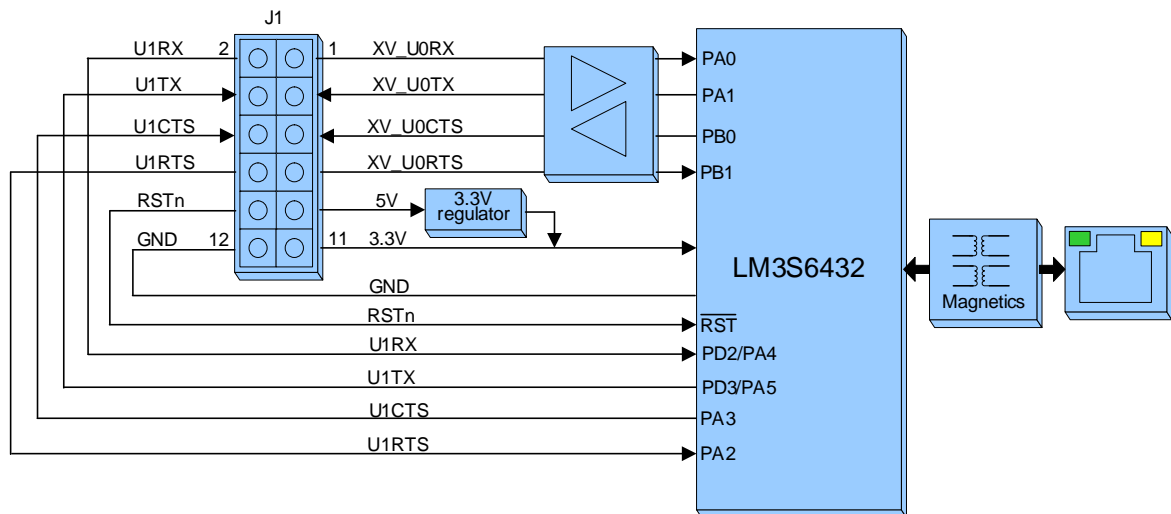


- Two serial ports, configured as data communication equipment (DCE), include RTS/CTS for flow control
 - PORT0 has RS-232 levels, transceiver runs at up to 250 Kbits/sec
 - PORT1 has CMOS/TTL levels, can run at 1.5 Mbits/sec
 - Both serial ports are independent and may be used simultaneously.
- Module software
 - IP configuration with static IP address or DHCP
 - Raw and Telnet protocol support for access to serial port
 - Web server for module configuration
 - Multi-port virtual com port software for Windows
 - Universal Plug and Play (UPnP) for device discovery
- Module supports 5 V and 3.3 V supplies
- Multiple mounting options
- RDK-S2E modules include JTAG/SWD header for debugging
- Protocols include ARP, IP, ICMP, UDP, TCP, HTTP, DHCP, Telnet

Module Block Diagram

Figure 2 shows the block diagram for the MDL-S2E module.

Figure 2. Block Diagram



Operational Specifications

Table 1 shows the operating parameters for the MDL-S2E module.

Table 1. MDL-S2E Operating Specifications

Parameter Name		Min	Nom	Max	Unit
DC Input Voltage	5 V operation	4	5	5.5	V _{DC}
	3.3 V operation	3	3.3	3.6	V _{DC}
SER0 transceiver data rate		–	–	250	Kbits/sec
SER1 UART data rate		–	–	1500	Kbits/sec
Ethernet Data Rate		–	–	100	Mbits/sec
Supply Current		–	–	200	mA
Operating Temperature Range		0	–	70	°C
Storage Temperature Range		-25	–	85	°C
Digital Input Low Level Input Voltage		-0.3	–	1.3	V _{DC}
Digital Input High Level Input Voltage		2.0	–	5.0	V _{DC}

Mechanical Specifications

Figure 3 shows the S2E module dimensions and Figure 4 shows the recommended panel cutout.

- PCB size: 1.555" x 1.475" (39.5 mm x 37.5 mm)
- Three mounting options available
 - Attach to faceplate
 - Direct attach to 3 mm faceplate spacers
 - Direct attach to mounting holes
- Module connectors
 - Mounted on PCB is the Hirose Electric DF11-12DP-2DSA(24)
 - Two mating connector options for system connectivity
 - Crimping connector DF11-12DS-2C
 - Insulation displacement connector DF11-12DS-2R26

WARNING – Risk of Equipment Damage

To avoid damage to the S2E board and/or external power supply, ensure that only one power line is connected to system connector J1. Connect 5 V to J1-9 or 3.3 V to J1-11, but not both.

BOARD DATA SHEET

Figure 3. S2E Module Dimensions

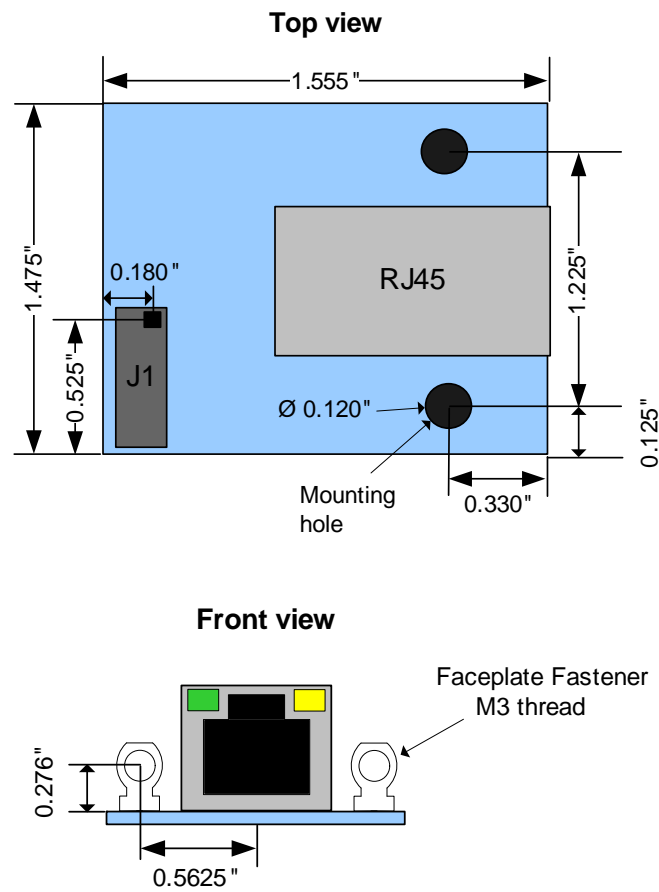
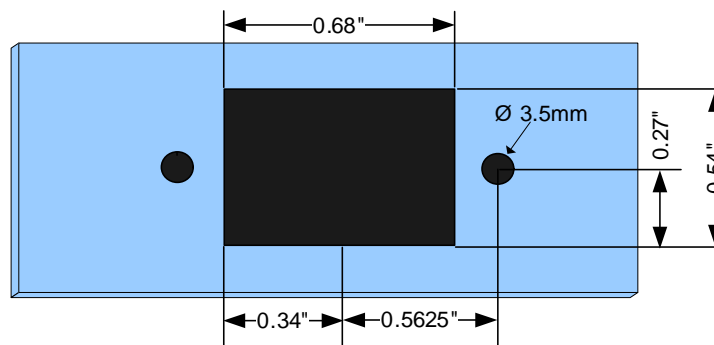


Figure 4. S2E Module Recommended Panel Cutout



BOARD DATA SHEET



Figure 5 shows the system wiring diagram for the MDL-S2E board and Table 2 shows the corresponding signals and definitions.

Figure 5. System Wiring Diagram

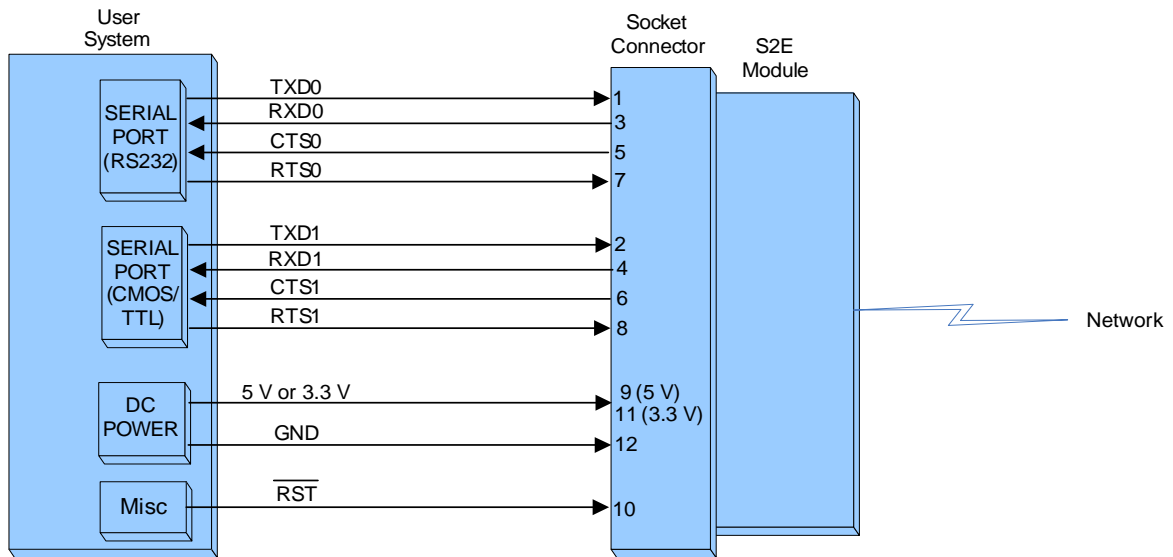


Table 2. Signal Definitions for Wiring Diagram

Signal	Definition
TXD0	Serial Port 0 transmit data out
RXD0	Serial Port 0 receive data in
CTS0	Serial Port 0 clear to send in
RTS0	Serial Port 0 request to send out
TXD1	Serial Port 1 transmit data out
RXD1	Serial Port 1 receive data in
CTS1	Serial Port 1 clear to send in
RTS1	Serial Port 1 request to send out
5 V or 3.3 V	Power signal, either 5 V (connect to pin 9) or 3.3 V (connect to pin 11)
GND	Ground signal
$\overline{\text{RST}}$	Stellaris microcontroller reset input (optional), leave unconnected if unused

BOARD DATA SHEET



Parameter Specifications

Table 3 shows the parameter specifications for the MDL-S2E module. These parameters are configured using the web interface.

Table 3. Parameter Specifications

Parameter Name	Range	Units
Baud Rate SER0	Standard values from 110 to 460,800	Baud
Baud Rate SER1	Standard values from 110 to 460,800 and 1M	Baud
Data Size	5, 6, 7, 8	Bits/character
Parity	None, even, odd, mark, space	
Stop Bits	1, 2	Bit(s)
Flow Control	None, hardware	
Local Telnet port number	0..65535	
Remote Telnet port number	0..65535	
Telnet Mode	Client, Server	
Telnet Protocol	Raw, Telnet	
Telnet Server IP	xxx.xxx.xxx.xxx	
Telnet Timeout	0..9999	Seconds
Module Name	39 character ASCII string	
uPNP port number	0.65535	

Additional Information

The following document is available for download at www.luminarymicro.com:

- *MDL-S2E Quickstart*

Important Notice

Texas Instruments Incorporated and its subsidiaries (TI) reserve the right to make corrections, modifications, enhancements, improvements, and other changes to its products and services at any time and to discontinue any product or service without notice. Customers should obtain the latest relevant information before placing orders and should verify that such information is current and complete. All products are sold subject to TI's terms and conditions of sale supplied at the time of order acknowledgment.

TI warrants performance of its hardware products to the specifications applicable at the time of sale in accordance with TI's standard warranty. Testing and other quality control techniques are used to the extent TI deems necessary to support this warranty. Except where mandated by government requirements, testing of all parameters of each product is not necessarily performed.

TI assumes no liability for applications assistance or customer product design. Customers are responsible for their products and applications using TI components. To minimize the risks associated with customer products and applications, customers should provide adequate design and operating safeguards.

TI does not warrant or represent that any license, either express or implied, is granted under any TI patent right, copyright, mask work right, or other TI intellectual property right relating to any combination, machine, or process in which TI products or services are used. Information published by TI regarding third-party products or services does not constitute a license from TI to use such products or services or a warranty or endorsement thereof. Use of such information may require a license from a third party under the patents or other intellectual property of the third party, or a license from TI under the patents or other intellectual property of TI.

Reproduction of TI information in TI data books or data sheets is permissible only if reproduction is without alteration and is accompanied by all associated warranties, conditions, limitations, and notices. Reproduction of this information with alteration is an unfair and deceptive business practice. TI is not responsible or liable for such altered documentation. Information of third parties may be subject to additional restrictions.

Resale of TI products or services with statements different from or beyond the parameters stated by TI for that product or service voids all express and any implied warranties for the associated TI product or service and is an unfair and deceptive business practice. TI is not responsible or liable for any such statements.

TI products are not authorized for use in safety-critical applications (such as life support) where a failure of the TI product would reasonably be expected to cause severe personal injury or death, unless officers of the parties have executed an agreement specifically governing such use. Buyers represent that they have all necessary expertise in the safety and regulatory ramifications of their applications, and acknowledge and agree that they are solely responsible for all legal, regulatory and safety-related requirements concerning their products and any use of TI products in such safety-critical applications, notwithstanding any applications-related information or support that may be provided by TI. Further, Buyers must fully indemnify TI and its representatives against any damages arising out of the use of TI products in such safety-critical applications.

TI products are neither designed nor intended for use in military/aerospace applications or environments unless the TI products are specifically designated by TI as military-grade or "enhanced plastic." Only products designated by TI as military-grade meet military specifications. Buyers acknowledge and agree that any such use of TI products which TI has not designated as military-grade is solely at the Buyer's risk, and that they are solely responsible for compliance with all legal and regulatory requirements in connection with such use.

TI products are neither designed nor intended for use in automotive applications or environments unless the specific TI products are designated by TI as compliant with ISO/TS 16949 requirements. Buyers acknowledge and agree that, if they use any non-designated products in automotive applications, TI will not be responsible for any failure to meet such requirements.

Following are URLs where you can obtain information on other Texas Instruments products and application solutions:

Products

Amplifiers	amplifier.ti.com
Data Converters	dataconverter.ti.com
DLP® Products	www.dlp.com
DSP	dsp.ti.com
Clocks and Timers	www.ti.com/clocks
Interface	interface.ti.com
Logic	logic.ti.com
Power Mgmt	power.ti.com
Microcontrollers	microcontroller.ti.com
RFID	www.ti-rfid.com
RF/IF and ZigBee® Solutions	www.ti.com/lprf

Applications

Audio	www.ti.com/audio
Automotive	www.ti.com/automotive
Broadband	www.ti.com/broadband
Digital Control	www.ti.com/digitalcontrol
Medical	www.ti.com/medical
Military	www.ti.com/military
Optical Networking	www.ti.com/opticalnetwork
Security	www.ti.com/security
Telephony	www.ti.com/telephony
Video & Imaging	www.ti.com/video
Wireless	www.ti.com/wireless

Mailing Address: Texas Instruments, Post Office Box 655303, Dallas, Texas 75265
 Copyright © 2009, Texas Instruments Incorporated

Copyright © 2007–2009 Texas Instruments, Inc. All rights reserved.
 Stellaris and StellarisWare are registered trademarks of Texas Instruments. ARM and Thumb are registered trademarks, and Cortex is a trademark of ARM Limited. Other names and brands may be claimed as the property of others.

