

Understanding power supply ripple rejection in linear regulators

By **John C. Teel** (Email: jteel@ti.com)

Analog IC Designer, Member Group Technical Staff

Power supply ripple rejection ratio (PSRR) is a measure of how well a circuit rejects ripple coming from the input power supply at various frequencies and is very critical in many RF and wireless applications. In the case of an LDO, it is a measure of the output ripple compared to the input ripple over a wide frequency range (10 Hz to 10 MHz is common) and is expressed in decibels (dB). The basic equation for PSRR is

$$\text{PSRR} = 20 \log \frac{\text{Ripple}_{\text{Input}}}{\text{Ripple}_{\text{Output}}}$$

More specifically, PSRR for an LDO can be written as

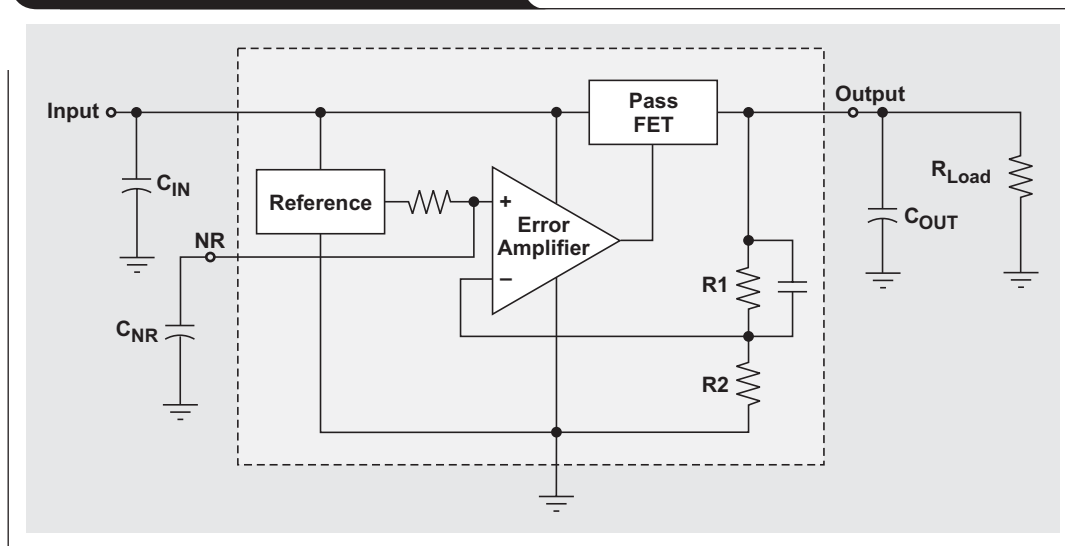
$$\text{PSRR} = 20 \log \frac{A_V}{A_{VO}}$$

where A_V is the open-loop gain of the regulator feedback loop, and A_{VO} is the gain from V_{IN} to V_{OUT} with the regulator feedback loop open. From this equation it can be seen

that to increase the PSRR it is beneficial to increase the open-loop gain and decrease the gain from V_{IN} to V_{OUT} . Typically, A_{VO} is significantly less than 0 dB, with -10 to -15 dB being typical; this is entirely driven by internal and external parasitics from input to output and at the gate of the pass FET. Figure 1 shows a simplified regulator block diagram with a PMOS pass device.

Another parameter that is closely related to PSRR is line transient response. PSRR is specified at specific frequencies, whereas a line transient essentially contains all frequencies due to the Fourier components of a step function. However, the primary difference is that PSRR is based on small signals, whereas line transients are large signals and thus theoretically much more complicated in nature. Since improving PSRR typically improves line transient response and vice versa, all of the effects on PSRR discussed in this article will usually have a similar effect on the line transient response.

Figure 1. Simplified LDO block diagram



A curve showing PSRR over a wide frequency range is shown in Figure 2.

As mentioned previously, the open-loop gain of the LDO feedback circuit is the dominant factor in PSRR (at least in a limited frequency range); therefore, LDOs requiring good PSRR typically have high gain with a high unity-gain frequency (large gain-bandwidth product). However, this makes the loop more difficult to stabilize, which limits how much the gain-bandwidth product can be increased to improve PSRR. It is important to have a high unity-gain frequency so that the amplifier does not lose open-loop gain at relatively low frequencies, causing PSRR to roll off also.

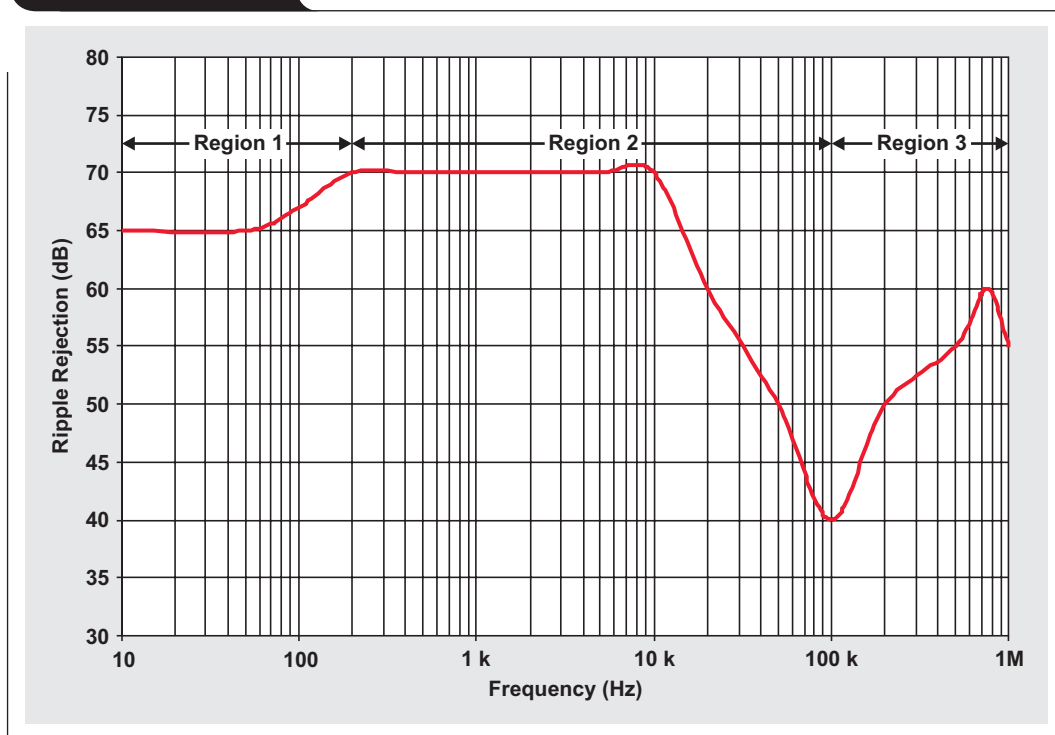
The curve in Figure 2 shows that PSRR for an LDO can be broken down into three basic frequency regions. Region 1 is from dc to the roll-off frequency of the bandgap filter and is dominated by both open-loop gain and bandgap PSRR. Region 2 extends from the bandgap filter roll-off frequency up to the unity-gain frequency where PSRR is dominated mainly by the open-loop gain of the regulator. Region 3 is above the unity-gain frequency, where the feedback loop has very little effect, so the output capacitor dominates along with any parasitics from V_{IN} to V_{OUT} . The gate driver's ability to drive the pass-FET gate at high frequencies also has an effect in Region 3. A larger output capacitor with less equivalent series resistance (ESR) will typically improve PSRR in this region, but it can also actually decrease the PSRR at some frequencies. This is because increasing the output capacitor lowers the unity-gain frequency, causing the open-loop gain to roll off

earlier and thus lowering PSRR. Nevertheless, the minimum PSRR that occurs at the unity-gain frequency will typically be improved.

Anything affecting the gain of the feedback loop also affects PSRR in Region 2. One example is load current. As load current increases, the open-loop output impedance of the LDO decreases (since a MOSFET's output impedance is inversely proportional to the drain current), thus lowering the gain. Increasing the load current also pushes the output pole to higher frequencies, which increases the feedback loop bandwidth. The net effect of increasing the load is therefore reduced PSRR at lower frequencies (because of the reduced gain) along with increased PSRR at higher frequencies.

The differential dc voltage between input and output is another example of how a change in the feedback loop gain also affects PSRR. As $V_{IN}-V_{OUT}$ is lowered to less than about 1 V, the internal pass FET (which provides gain in a PMOS design) starts to be pushed out of the active (saturation) region of operation and into the triode/linear region, which causes the feedback loop to lose gain. The dividing line between the active region and the triode region is proportional to the square root of the drain (load) current. So as the load current is increased, the voltage across the device ($V_{IN}-V_{OUT}$) necessary to keep it in the active region increases as a function of the square root of the load current. For example, having $V_{IN}-V_{OUT}$ at only 0.5 V may have no negative effect on PSRR at light load currents because the pass FET device doesn't need much headroom to stay in the active region and to preserve gain. At heavier loads,

Figure 2. PSRR curve



however, 0.5 V may no longer be sufficient and the pass FET device may enter the triode region, causing the circuit to lose gain, thus reducing PSRR. When PSRR is compared among various LDOs, it's important always to compare LDOs with identical $V_{IN}-V_{OUT}$ and I_{Load} conditions. It's also important to compare LDOs with identical output voltages, since PSRR is usually better at lower output voltages.

One of the dominant internal sources of PSRR in an LDO is the bandgap reference. Any ripple that makes its way onto the reference will be amplified and sent to the output, so it's important to have a bandgap reference with high PSRR. Typically, the solution is simply to filter the bandgap with a low-pass filter (LPF). This LPF is almost always accomplished with a large internal resistor and an external capacitor. The effect of the LPF can be seen in Region 1 of Figure 2, where the PSRR is somewhat reduced because the LPF passes bandgap ripple in this frequency range.

As has been shown, there are many ways to improve the PSRR in an LDO application. The most important is to start with a low-noise, high-PSRR LDO designed for high-PSRR applications such as one from the TPS793/4/5/6xx family or the low- I_q TPS799xx family. The next most important way is to choose a low-ESR ceramic output capacitor and to determine the capacitance value based on the frequencies at which PSRR is most important. Finally, board layout must be carefully done to reduce the feedthrough from input to output via board parasitics.

Related Web sites

power.ti.com

www.ti.com/sc/device/partnumber

Replace *partnumber* with TPS79301, TPS79401, TPS79501, TPS79601, or TPS79901

IMPORTANT NOTICE

Texas Instruments Incorporated and its subsidiaries (TI) reserve the right to make corrections, modifications, enhancements, improvements, and other changes to its products and services at any time and to discontinue any product or service without notice. Customers should obtain the latest relevant information before placing orders and should verify that such information is current and complete. All products are sold subject to TI's terms and conditions of sale supplied at the time of order acknowledgment.

TI warrants performance of its hardware products to the specifications applicable at the time of sale in accordance with TI's standard warranty. Testing and other quality control techniques are used to the extent TI deems necessary to support this warranty. Except where mandated by government requirements, testing of all parameters of each product is not necessarily performed.

TI assumes no liability for applications assistance or customer product design. Customers are responsible for their products and applications using TI components. To minimize the risks associated with customer products and applications, customers should provide adequate design and operating safeguards.

TI does not warrant or represent that any license, either express or implied, is granted under any TI patent right, copyright, mask work right, or other TI intellectual property right relating to any combination, machine, or process in which TI products or services are used. Information published by TI regarding third-party products or services does not constitute a license from TI to use such products or services or a warranty or endorsement thereof. Use of such information may require a license from a third party under the patents or other intellectual property of the third party, or a license from TI under the patents or other intellectual property of TI.

Reproduction of information in TI data books or data sheets is permissible only if reproduction is without alteration and is accompanied by all associated warranties, conditions, limitations, and notices. Reproduction of this information with alteration is an unfair and deceptive business practice. TI is not responsible or liable for such altered documentation.

Resale of TI products or services with statements different from or beyond the parameters stated by TI for that product or service voids all express and any implied warranties for the associated TI product or service and is an unfair and deceptive business practice. TI is not responsible or liable for any such statements.

Following are URLs where you can obtain information on other Texas Instruments products and application solutions:

Products

Amplifiers	amplifier.ti.com
Data Converters	dataconverter.ti.com
DSP	dsp.ti.com
Interface	interface.ti.com
Logic	logic.ti.com
Power Mgmt	power.ti.com
Microcontrollers	microcontroller.ti.com

Applications

Audio	www.ti.com/audio
Automotive	www.ti.com/automotive
Broadband	www.ti.com/broadband
Digital control	www.ti.com/digitalcontrol
Military	www.ti.com/military
Optical Networking	www.ti.com/opticalnetwork
Security	www.ti.com/security
Telephony	www.ti.com/telephony
Video & Imaging	www.ti.com/video
Wireless	www.ti.com/wireless

TI Worldwide Technical Support

Internet

TI Semiconductor Product Information Center Home Page
support.ti.com

TI Semiconductor KnowledgeBase Home Page
support.ti.com/sc/knowledgebase

Product Information Centers

Americas

Phone	+1(972) 644-5580	Fax	+1(972) 927-6377
Internet/Email	support.ti.com/sc/pic/americas.htm		

Europe, Middle East, and Africa

Phone			
Belgium (English)	+32 (0) 27 45 54 32	Netherlands (English)	+31 (0) 546 87 95 45
Finland (English)	+358 (0) 9 25173948	Russia	+7 (0) 95 7850415
France	+33 (0) 1 30 70 11 64	Spain	+34 902 35 40 28
Germany	+49 (0) 8161 80 33 11	Sweden (English)	+46 (0) 8587 555 22
Israel (English)	1800 949 0107	United Kingdom	+44 (0) 1604 66 33 99
Italy	800 79 11 37		
Fax	+(49) (0) 8161 80 2045		
Internet	support.ti.com/sc/pic/euro.htm		

Japan

Fax			
International	+81-3-3344-5317	Domestic	0120-81-0036
Internet/Email			
International	support.ti.com/sc/pic/japan.htm		
Domestic	www.tij.co.jp/pic		

Asia

Phone			
International	+886-2-23786800		
Domestic	Toll-Free Number		
Australia	1-800-999-084	New Zealand	0800-446-934
China	800-820-8682	Philippines	1-800-765-7404
Hong Kong	800-96-5941	Singapore	800-886-1028
Indonesia	001-803-8861-1006	Taiwan	0800-006800
Korea	080-551-2804	Thailand	001-800-886-0010
Malaysia	1-800-80-3973		
Fax	886-2-2378-6808	Email	tiasia@ti.com
Internet	support.ti.com/sc/pic/asia.htm		ti-china@ti.com

C011905

Safe Harbor Statement: This publication may contain forward-looking statements that involve a number of risks and uncertainties. These "forward-looking statements" are intended to qualify for the safe harbor from liability established by the Private Securities Litigation Reform Act of 1995. These forward-looking statements generally can be identified by phrases such as "TI or its management believes," "expects," "anticipates," "foresees," "forecasts," "estimates" or other words or phrases of similar import. Similarly, such statements herein that describe the company's products, business strategy, outlook, objectives, plans, intentions or goals also are forward-looking statements. All such forward-looking statements are subject to certain risks and uncertainties that could cause actual results to differ materially from those in forward-looking statements. Please refer to TI's most recent Form 10-K for more information on the risks and uncertainties that could materially affect future results of operations. We disclaim any intention or obligation to update any forward-looking statements as a result of developments occurring after the date of this publication.

Trademarks: All trademarks are the property of their respective owners.

Mailing Address: Texas Instruments
Post Office Box 655303
Dallas, Texas 75265

© 2005 Texas Instruments Incorporated

SLYT202