

## **430BOOST-ADS1118 Booster Pack**

---



---



---



---

This user's guide describes the characteristics, operation, and use of the 430BOOST-ADS1118 Booster Pack, a quick and low-cost solution to evaluate and develop the ADS1118 for temperature measurement applications using type K thermocouples. This document also includes the schematic, printed circuit board (PCB) layout, and a bill of materials (BOM).

### **Contents**

1	430BOOST-ADS1118 Booster Pack Overview .....	2
2	ADS1118 Information .....	3
3	Getting Started .....	4
4	Obtaining Software Packages .....	6
5	User Experience Application .....	7
6	Rebuild Software Project .....	9
7	Schematic, PCB Layout, and Bill of Materials .....	12
8	References .....	15

### **List of Figures**

1	430BOOST-ADS1118 BoosterPack Overview .....	2
2	J3 Jumper .....	4
3	J5 Jumper .....	4
4	Booster Pack on Top of the LaunchPad .....	5
5	Connect Thermocouple .....	5
6	Connect USB .....	5
7	Display Real-Time Temperature .....	6
8	Flashing Hundreds Bit of the Threshold Temperature .....	7
9	Set Timer.....	8
10	CH1 Input on Board .....	8
11	Flow Chart of the Main Function .....	10
12	Overview of Grace .....	11
13	Schematic .....	12
14	Top-Layer Silkscreen .....	13
15	PCB Top Layer .....	13
16	PCB Bottom Layer .....	14

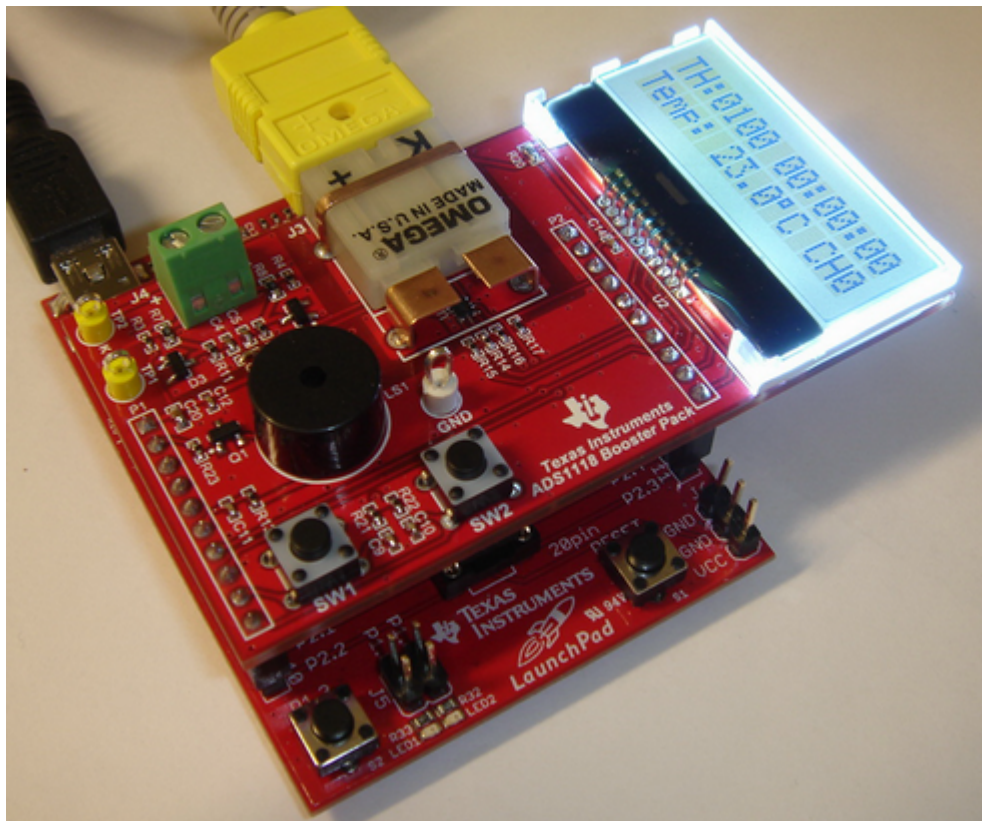
### **List of Tables**

1	Bill of Materials .....	15
---	-------------------------	----

## 1 430BOOST-ADS1118 Booster Pack Overview

### 1.1 Description

The 430BOOST-ADS1118 Booster Pack provides a quick and low-cost solution to evaluate and develop the ADS1118 for temperature measurement applications using type K thermocouples. To quickly get started, this booster pack comes with preloaded firmware for the MSP430G2553 device. The software also provides a fully commented source code for users to get started developing applications. [Figure 1](#) shows an overview of the booster pack hardware.



**Figure 1. 430BOOST-ADS1118 BoosterPack Overview**

### 1.2 Features

- Actual temperature display in °C or °F
- Threshold temperature display
- Programmable threshold temperature
- Programmable countdown timer
- Optional input channel
- Optional UART communication

## 2 ADS1118 Information

The [ADS1118](#) is a precision analog-to-digital converter (ADC). This device features an onboard reference and oscillator, as well as 16 bits of resolution. The ADS1118 can perform up to 860 samples per second (SPS) and has an onboard programmable gain amplifier (PGA) that allows input ranges from  $\pm 256$  mV to  $\pm 6.144$  V. This device also contains an input multiplexer that allows each input to be used with reference to ground, or as two differential inputs. The ADS1118 datasheet ([SBAS457](#)) contains all relevant analog and digital electrical information pertaining to the device. This booster pack demonstrates how an MSP430 and ADS1118 can be integrated into one system.

### 2.1 Type K Thermocouple

A thermocouple consists of two conductors of different materials that produce a voltage in the vicinity of the point where the two conductors are in contact. The voltage produced depends on, but is not necessarily proportional to, the difference of temperature of the junction to other parts of those conductors. Thermocouples require a stable voltage reference and some form of ice point or cold junction compensation. The integration of an internal voltage reference, multiplexer, and temperature sensor make the ADS1118 an ideal option for thermocouple measurements. Type K is the most common general-purpose thermocouple with a sensitivity of approximately  $41 \mu\text{V}/^\circ\text{C}$ . A type K thermocouple is inexpensive, and a wide variety of probes are available in the  $-200^\circ\text{C}$  to  $+1250^\circ\text{C}$  ( $-330^\circ\text{F}$  to  $+2460^\circ\text{F}$ ) range. For more information about thermocouple measurement with the ADS1118, see Application Report [SBAA189](#), *Precision Thermocouple Measurement with the ADS1118*.

### 3 Getting Started

#### 3.1 Requirements

The ADS1118 Booster Pack requires LaunchPad rev1.4 or higher; see [www.ti.com/launchpadwiki](http://www.ti.com/launchpadwiki) for more information. The ADS1118 Booster Pack also requires a MSP430G2553 device (included). This device is preprogrammed with the user experience firmware (see [Section 6](#)).

#### 3.2 Configuring LaunchPad

1. For LaunchPad rev1.4 or earlier, cross jump the UART lines; see [SLAU318](#), *MSP-EXP430G2 LaunchPad Experimenter Board User's Guide*, for more information.
2. For LaunchPad rev1.5, switch to hardware UART through J3 jumpers, as shown in [Figure 2](#).

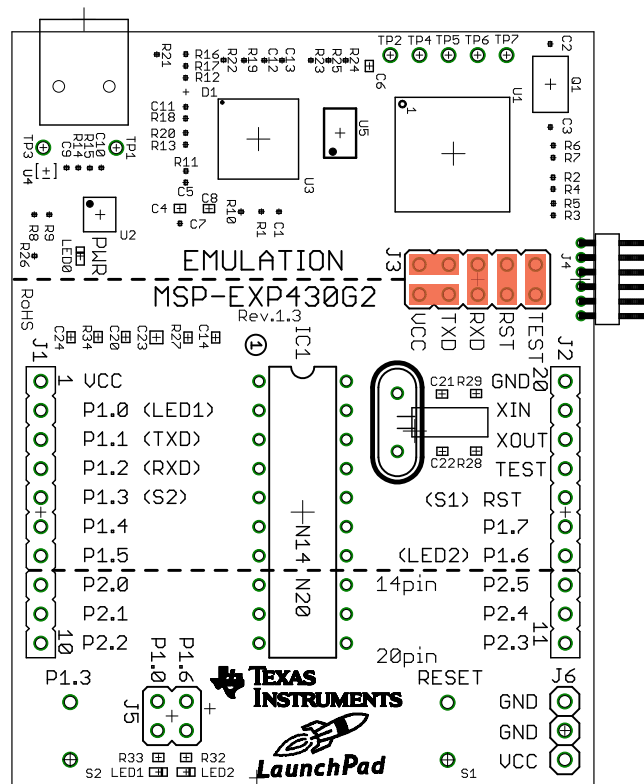


Figure 2. J3 Jumper

3. Remove P1.6 and P1.0, as shown in [Figure 3](#).

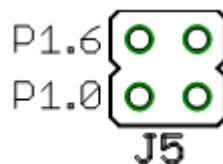


Figure 3. J5 Jumper

4. Replace the existing LaunchPad device with the MSP430G2553 device inside the ADS1118 Booster Pack. This device has been preloaded with the user experience firmware.

5. Insert the ADS1118 Booster Pack on top of the LaunchPad as shown in [Figure 4](#).

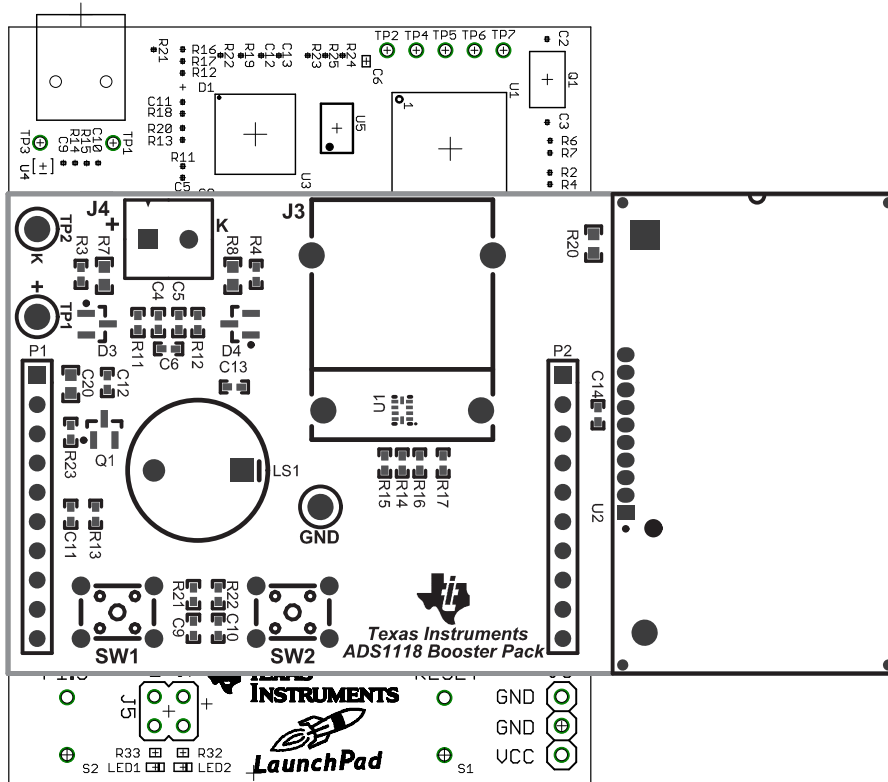


Figure 4. Booster Pack on Top of the LaunchPad

6. Connect a type K thermocouple probe to J3 on the ADS1118 BoosterPack, as shown in [Figure 5](#)

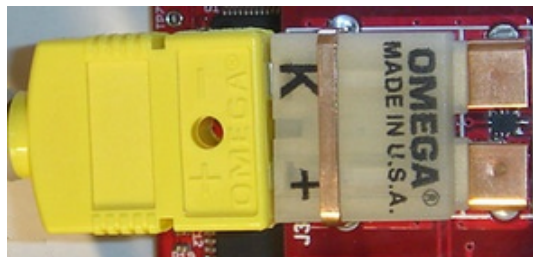


Figure 5. Connect Thermocouple

7. Connect hardware as shown in [Figure 6](#).

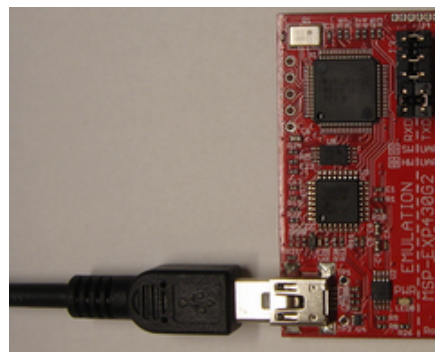


Figure 6. Connect USB

## 4 Obtaining Software Packages

Download the latest software packages from [www.ti.com/ADS1118boosterpack](http://www.ti.com/ADS1118boosterpack).

Download the two software packages. One package contains the source code and the other package contains the binaries for the MSP430G2553 firmware.

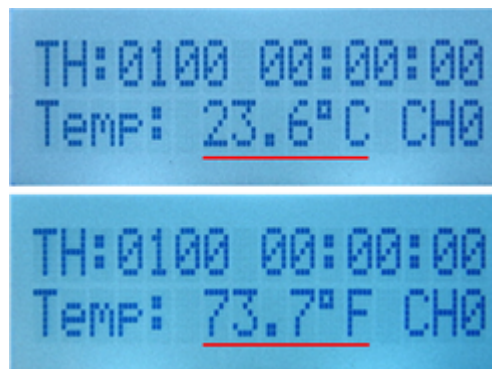
### 4.1 Redownloading or Modifying Firmware

This step is optional. To get started, if you have used the preloaded MSP430G2553 device inside the ADS1118 BoosterPack, this step can be used to reload the firmware with a newer version or to a blank device. The quickest way to redownload the firmware image is to run *MSP430Flasher.bat* inside the firmware directory.

To modify the firmware, see [Section 6](#) regarding supported compilers.

### 4.2 Starting the Demo Application

1. Read real-time temperature on LCD. Press S2 on LaunchPad for switching temperature display at °C or °F as shown in [Figure 7](#).



**Figure 7. Display Real-Time Temperature**

2. Set threshold temperature (see [Section 5.1](#)).
3. Set timer (see [Section 5.2](#)).
4. Change input channel (see [Section 5.3](#)).

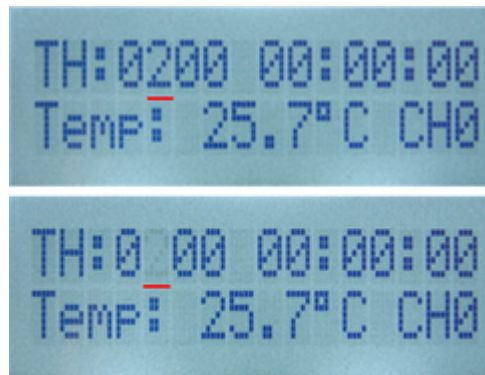
## 5 User Experience Application

Use buttons SW1, SW1, and S2 to set threshold temperature and timer. The input channel can be changed by buttons S2 and SW2.

### 5.1 Set Threshold Temperature

The threshold temperature is set by SW1 and S2. If a threshold temperature is set, then when the real-time temperature is greater than the threshold temperature, the buzzer sounds an audio alarm.

A threshold setting state machine is used to set the threshold temperature. In the threshold temperature setting mode, the set bit flashes, as shown in [Figure 8](#). Press the SW1 button and the ADS1118 Booster Pack enters the threshold temperature setting mode. Press S2 to change the set value of the set bit. Detailed steps are listed following [Figure 8](#).



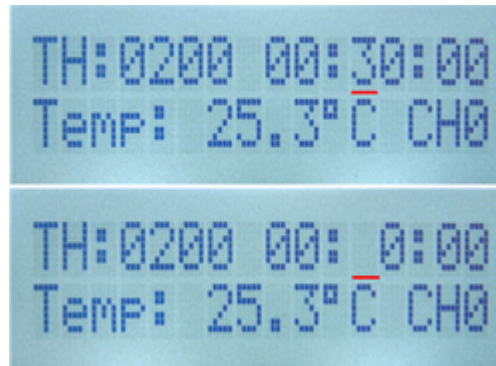
**Figure 8. Flashing Hundreds Bit of the Threshold Temperature**

1. Press the SW1 Button to let the ADS1118 Booster Pack enter the threshold temperature setting mode. The hundreds bit of the threshold temperature flashes.
2. Press S2 to change the setting of the flashing hundreds digit of the threshold temperature. Continue to press S2 until the required value is entered.
3. After the hundreds bit of the threshold temperature has been configured, press SW1 to set the tens digit of the threshold temperature. Press S2 to change the value of flashing bit until the required value is entered.
4. After the tens digit of the threshold temperature has been configured, press SW1 to set the ones bit of the threshold temperature. Press S2 to change the value of flashing bit until the required value is entered.
5. Finally, press SW1 to end the threshold temperature configuration and save the set value as the threshold temperature.

## 5.2 Set Timer

A timer-setting state machine is used to set the countdown time. When the timer counts down, at the last three seconds, the buzzer gives a continuous buzz as an alarm. Set the timer by pressing SW2 to change the setting digit and pressing S2 to change the value of that digit. The following list shows the detailed steps.

1. When SW2 is pressed at the first time, the ADS1118 Booster Pack enters time setup mode. The tens bit of the minutes flashes, as shown in [Figure 9](#).



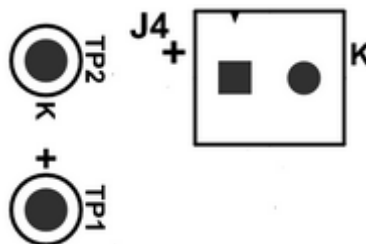
**Figure 9. Set Timer**

2. Press S2 to change the value of the flashing bit. Continue to press S2 until the required bit value is entered.
3. After the tens bit of the minutes has been configured, press SW1 to set the ones bit of the timer. Press S2 to change the value of flashing bit until the required value is entered.
4. After the ones bit of the minutes has been configured, press SW1 to set the seconds bit of the timer. Press S2 to change the value of flashing bit until the required value is entered.
5. Finally, press SW2 to end the timer setup and save the set value to the timer. The timer counts down the time until the time is 00:00:00.

## 5.3 Change Input Channel

The ADS1118 Booster Pack has two differential input channels. Analog input AIN0/AIN1 is configured for channel zero (CH0). Analog input AIN2/AIN3 is configured for channel one (CH1). Both channels have the same RC filter circuit. CH0 uses a type K thermocouple connector. CH1 uses a generic two-terminal block, J4, as shown in [Figure 10](#). Change the channel by pressing two buttons, S2 on the LaunchPad and SW2 on the ADS1118 Booster Pack. The following list shows the detailed steps.

1. Press and hold the S2 button.
2. Press SW2 on the ADS1118 Booster Pack.
3. Release both buttons. The ADS1118 input channel is now changed.



**Figure 10. CH1 Input on Board**



## 6 Rebuild Software Project

This software package includes project files that allow customers to recompile the code for user development. These project files are located inside the *430BOOST-ADS1118-SFT-A.zip* source folder. The source code was developed and compiled using Code Composer Studio™ (CCStudio), version 5.3. CCStudio is an integrated development environment (IDE) for Texas Instruments embedded processor families. CCStudio information is available online at <http://www.ti.com/tool/ccstudio>. The software package is available for download at [http://processors.wiki.ti.com/index.php/Download\\_CCS](http://processors.wiki.ti.com/index.php/Download_CCS).

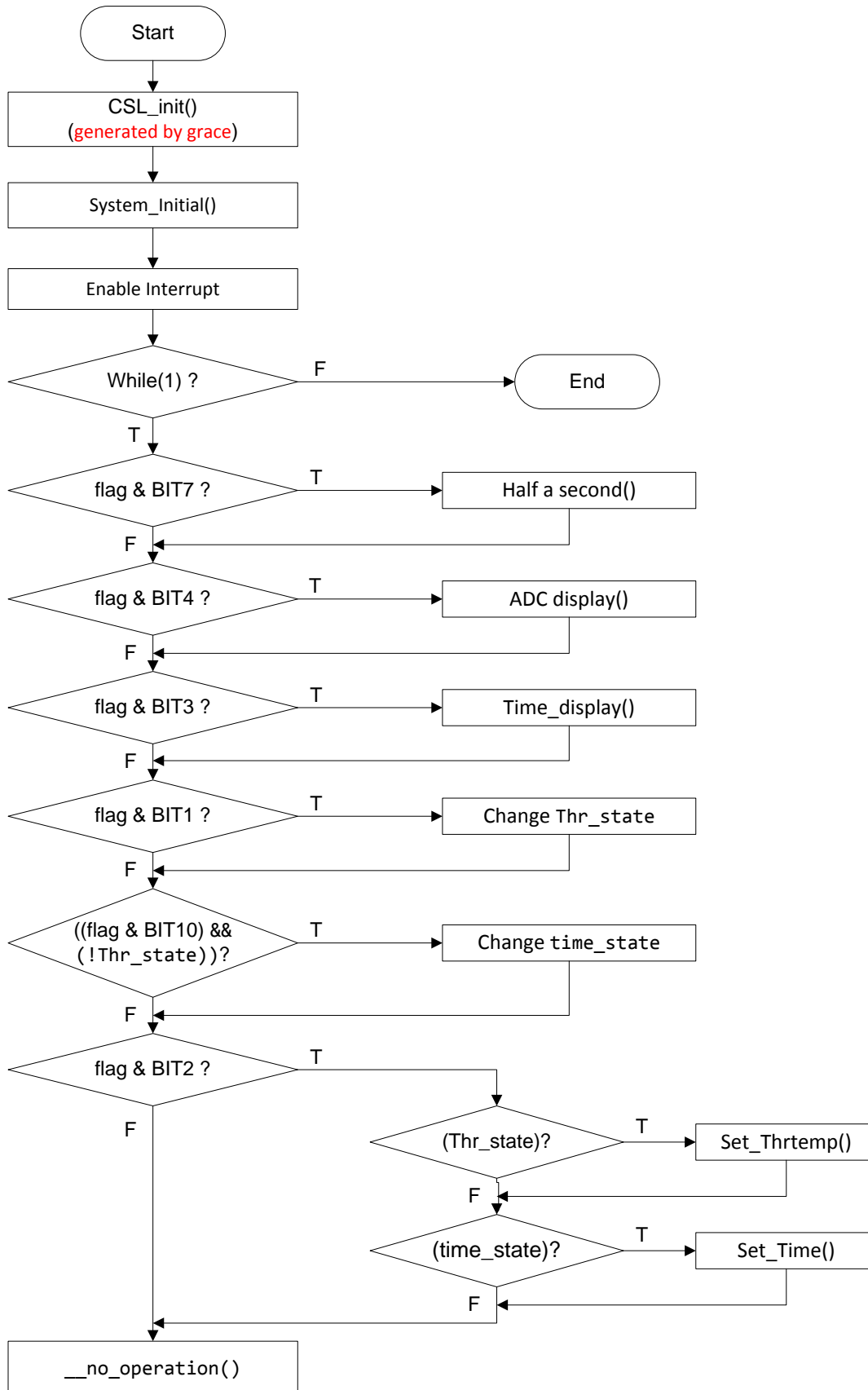
The default sample rate of the ADS1118 is 128 SPS. However, if the sample rate must be changed, then the ADC\_CON definition inside the ADS1118.h file must be changed, then recompiled, and then the firmware redownload. The following code shows two examples of the CH0 and CH1 configurations:

```
//Set the configuration to AIN0/AIN1, FS=+/-0.256mV, SS, DR=128sps, PULLUP on DOUT
#define ADSCON_CH0      (0x8B8A)

//Set the configuration to AIN2/AIN3, FS=+/-0.256mV, SS, DR=128sps, PULLUP on DOUT
#define ADSCON_CH1      (0xBB8A)
```

### 6.1 Main Function Flow Chart

[Figure 11](#) shows the main function flow chart.


**Figure 11. Flow Chart of the Main Function**

### 6.2 Grace

The CSL\_Init() is generated by the Grace™ graphical configuration tool. For more information about Grace refer to <http://www.ti.com/tool/grace>. Figure 12 shows the MSP430G2553 device overview. Configure the peripheral of MSP430G2553 by using the Grace tool.

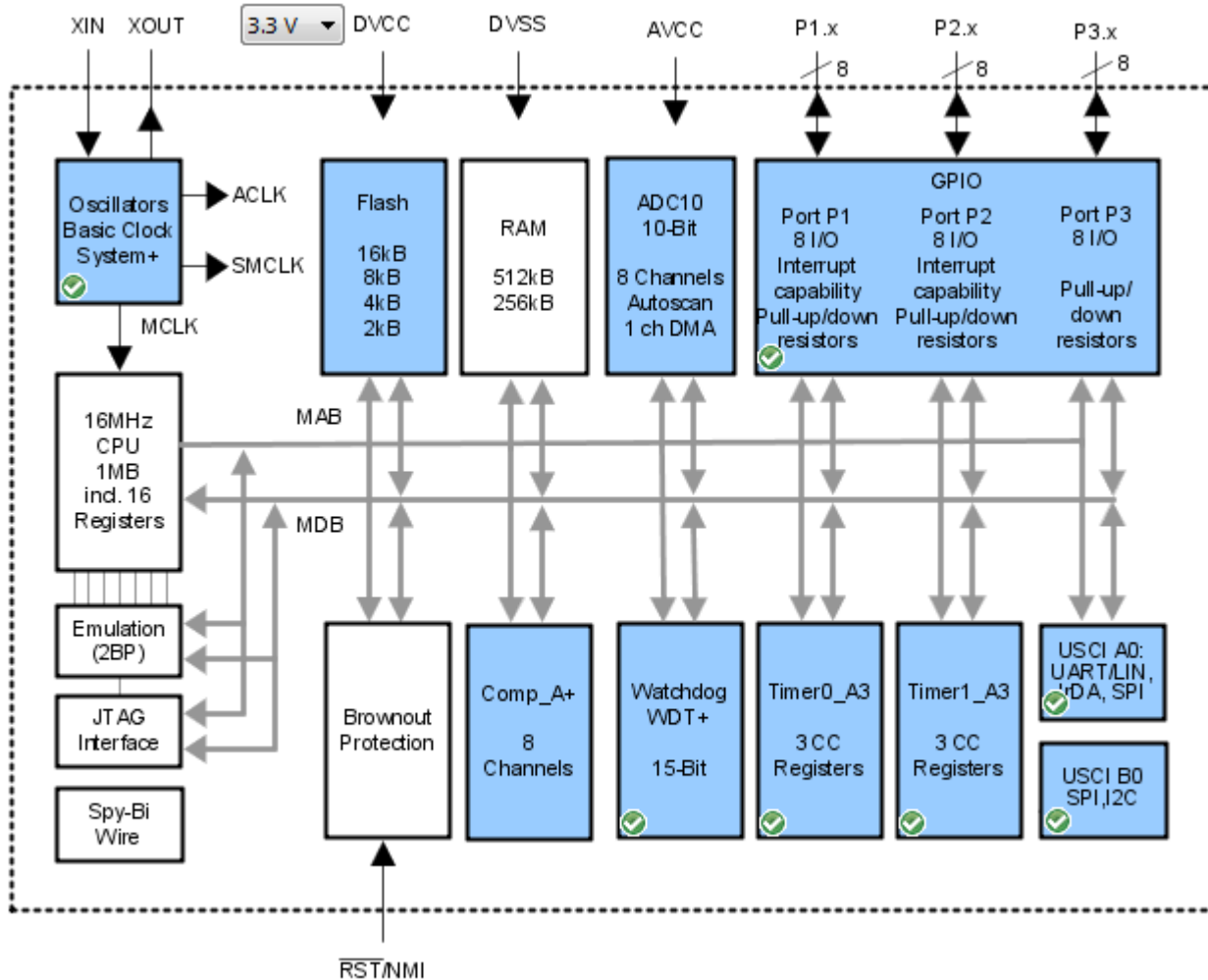


Figure 12. Overview of Grace

### 6.3 UART Communication

UART communication functions are defined in the software project but are not called in the demo project. Use the UART to transmit data from the Launchpad to the PC. There are two files (UART\_TxRx.h and UART\_TxRx.c) that are relative to UART communication. Two functions can be used to transmit character and string data from the Launchpad to the PC. These two functions are defined in UART\_TxRx.h.

```
void uart_txc(char c); // transmit a character by Launchpad UART

void uart_txstr(char *c); // transmit a string by Launchpad UART
```

These functions can be added in the project, and then rebuilt.





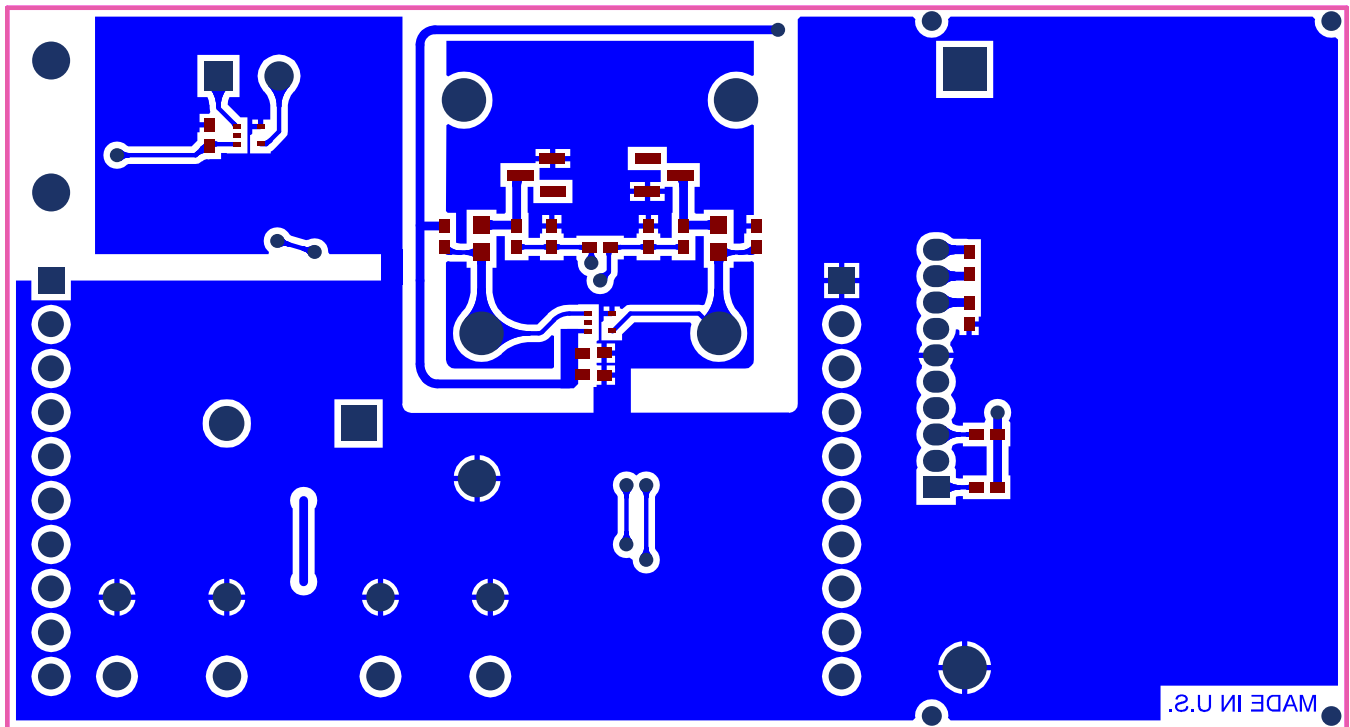


Figure 16. PCB Bottom Layer

### 7.3 Bill of Materials

Table 1 lists the bill of materials.

**Table 1. Bill of Materials**

Item No.	Ref Des	Description	Vendor/Mfr	Part Number
1	U1	ADS1118, RUG Package	Texas Instruments	ADS1118
2	U2	LCD1602, Serial Interface	Newhaven Display	NHD-C0216CZ-FSW-FBW-3V3
3	U3,U4	+/- 15 kV ESD-Protection Array 2 Channels	Texas Instruments	TPD2E001DRLRG4
4	Q1	Transistor, PNP, 65V, 0.1A, SOT-23	Diodes Inc	BC856B-7-F
5	D1,D2,D3,D4	DIODE ZENER 5.9V 250MW SOT23	NXP Semiconductors	PLVA659A,215
6	LS1	BUZZER 2.30KHZ 2-5VDC 82DB PCB	Soberton Inc	WST-1203UX
7	T1	type K thermocouple	Omega Engineering inc.	5SRTC-TT-K-24-36
8	C1, C2, C4, C5, C12, C13, C14, C16, C17	CAP, CERM, 0.1uF, 6.3V, +/-10%, X5R, 0402	TDK Corporation	C1005X5R0J104K
9	C3, C6, C7, C8	CAP, CERM, 1uF, 6.3V, +/-20%, X5R, 0402	TDK Corporation	C1005X5R0J105M
10	C9, C10, C11	CAP, CERM, 0.47uF, 6.3V, +/-10%, X5R, 0402	TDK Corporation	C1005X5R0J474K
11	C15	CAP, CERM, 0.01uF, 16V, +/-10%, X7R, 0402	TDK Corporation	C1005X7R1C103K
12	C20	CAP, CERM, 10uF, 6.3V, +/-20%, X5R, 0603	TDK Corporation	C1608X5R0J106M080AB
13	R1, R2, R3, R4	RES, 10Meg ohm, 1%, 0.063W, 0402	Yageo	RC0402FR-0710ML
14	R5, R6, R7, R8	RES, 200 ohm, 1%, 0.1W, 0603	Yageo	RC0603FR-07200RL
15	R9, R10, R11, R12	RES, 300 ohm, 1%, 0.063W, 0402	Yageo	RC0402FR-07300RL
16	R23	RES, 5.1k ohm, 5%, 0.063W, 0402	Yageo	RC0402JR-075K1L
17	R13, R21, R22	RES, 33k ohm, 5%, 0.063W, 0402	Yageo	RC0402JR-0733KL
18	R20	RES, 10 ohm, 5%, 0.1W, 0603	Yageo	RC0603JR-0710RL
19	R17, R18, R19	RES, 10k ohm, 5%, 0.063W, 0402	Yageo	RC0402JR-0710KL
20	R14, R15, R16	RES, 51 ohm, 5%, 0.063W, 0402	Yageo	RC0402JR-0751RL
21	S1, S2	SWITCH TACTILE SPST-NO 0.05A 12V	TE Connectivity	FSM4JH
22	J4	TERM BLOCK 2POS SIDE ENT 3.5MM	TE Connectivity	1776275-2
23	P1, P2	Header, 10-Pin	Würth Electronics Inc	61301011821
24	TP1, TP2	Test Point, TH, Compact, Yellow	Keystone Electronics	5009
25	TP3	Test Point, TH, Multipurpose, White	Keystone Electronics	5012
26	J3	omega type K connector	OMEGA	PCC-SMP-K

## 8 References

1. ADS1118 EVM User Guide and Software Tutorial ([SBAU184](#)).
2. Precision Thermocouple Measurement with the ADS1118 ([SBAA189](#)).

## EVALUATION BOARD/KIT/MODULE (EVM) ADDITIONAL TERMS

Texas Instruments (TI) provides the enclosed Evaluation Board/Kit/Module (EVM) under the following conditions:

The user assumes all responsibility and liability for proper and safe handling of the goods. Further, the user indemnifies TI from all claims arising from the handling or use of the goods.

Should this evaluation board/kit not meet the specifications indicated in the User's Guide, the board/kit may be returned within 30 days from the date of delivery for a full refund. THE FOREGOING LIMITED WARRANTY IS THE EXCLUSIVE WARRANTY MADE BY SELLER TO BUYER AND IS IN LIEU OF ALL OTHER WARRANTIES, EXPRESSED, IMPLIED, OR STATUTORY, INCLUDING ANY WARRANTY OF MERCHANTABILITY OR FITNESS FOR ANY PARTICULAR PURPOSE. EXCEPT TO THE EXTENT OF THE INDEMNITY SET FORTH ABOVE, NEITHER PARTY SHALL BE LIABLE TO THE OTHER FOR ANY INDIRECT, SPECIAL, INCIDENTAL, OR CONSEQUENTIAL DAMAGES.

Please read the User's Guide and, specifically, the Warnings and Restrictions notice in the User's Guide prior to handling the product. This notice contains important safety information about temperatures and voltages. For additional information on TI's environmental and/or safety programs, please visit [www.ti.com/esh](http://www.ti.com/esh) or contact TI.

No license is granted under any patent right or other intellectual property right of TI covering or relating to any machine, process, or combination in which such TI products or services might be or are used. TI currently deals with a variety of customers for products, and therefore our arrangement with the user is not exclusive. TI assumes no liability for applications assistance, customer product design, software performance, or infringement of patents or services described herein.

## REGULATORY COMPLIANCE INFORMATION

As noted in the EVM User's Guide and/or EVM itself, this EVM and/or accompanying hardware may or may not be subject to the Federal Communications Commission (FCC) and Industry Canada (IC) rules.

For EVMs **not** subject to the above rules, this evaluation board/kit/module is intended for use for ENGINEERING DEVELOPMENT, DEMONSTRATION OR EVALUATION PURPOSES ONLY and is not considered by TI to be a finished end product fit for general consumer use. It generates, uses, and can radiate radio frequency energy and has not been tested for compliance with the limits of computing devices pursuant to part 15 of FCC or ICES-003 rules, which are designed to provide reasonable protection against radio frequency interference. Operation of the equipment may cause interference with radio communications, in which case the user at his own expense will be required to take whatever measures may be required to correct this interference.

### General Statement for EVMs including a radio

*User Power/Frequency Use Obligations:* This radio is intended for development/professional use only in legally allocated frequency and power limits. Any use of radio frequencies and/or power availability of this EVM and its development application(s) must comply with local laws governing radio spectrum allocation and power limits for this evaluation module. It is the user's sole responsibility to only operate this radio in legally acceptable frequency space and within legally mandated power limitations. Any exceptions to this are strictly prohibited and unauthorized by Texas Instruments unless user has obtained appropriate experimental/development licenses from local regulatory authorities, which is responsibility of user including its acceptable authorization.

### For EVMs annotated as FCC – FEDERAL COMMUNICATIONS COMMISSION Part 15 Compliant

#### Caution

This device complies with part 15 of the FCC Rules. Operation is subject to the following two conditions: (1) This device may not cause harmful interference, and (2) this device must accept any interference received, including interference that may cause undesired operation.

Changes or modifications not expressly approved by the party responsible for compliance could void the user's authority to operate the equipment.

### FCC Interference Statement for Class A EVM devices

This equipment has been tested and found to comply with the limits for a Class A digital device, pursuant to part 15 of the FCC Rules. These limits are designed to provide reasonable protection against harmful interference when the equipment is operated in a commercial environment. This equipment generates, uses, and can radiate radio frequency energy and, if not installed and used in accordance with the instruction manual, may cause harmful interference to radio communications. Operation of this equipment in a residential area is likely to cause harmful interference in which case the user will be required to correct the interference at his own expense.



### **FCC Interference Statement for Class B EVM devices**

This equipment has been tested and found to comply with the limits for a Class B digital device, pursuant to part 15 of the FCC Rules. These limits are designed to provide reasonable protection against harmful interference in a residential installation. This equipment generates, uses and can radiate radio frequency energy and, if not installed and used in accordance with the instructions, may cause harmful interference to radio communications. However, there is no guarantee that interference will not occur in a particular installation. If this equipment does cause harmful interference to radio or television reception, which can be determined by turning the equipment off and on, the user is encouraged to try to correct the interference by one or more of the following measures:

- Reorient or relocate the receiving antenna.
- Increase the separation between the equipment and receiver.
- Connect the equipment into an outlet on a circuit different from that to which the receiver is connected.
- Consult the dealer or an experienced radio/TV technician for help.

### **For EVMs annotated as IC – INDUSTRY CANADA Compliant**

This Class A or B digital apparatus complies with Canadian ICES-003.

Changes or modifications not expressly approved by the party responsible for compliance could void the user's authority to operate the equipment.

### **Concerning EVMs including radio transmitters**

This device complies with Industry Canada licence-exempt RSS standard(s). Operation is subject to the following two conditions: (1) this device may not cause interference, and (2) this device must accept any interference, including interference that may cause undesired operation of the device.

### **Concerning EVMs including detachable antennas**

Under Industry Canada regulations, this radio transmitter may only operate using an antenna of a type and maximum (or lesser) gain approved for the transmitter by Industry Canada. To reduce potential radio interference to other users, the antenna type and its gain should be so chosen that the equivalent isotropically radiated power (e.i.r.p.) is not more than that necessary for successful communication.

This radio transmitter has been approved by Industry Canada to operate with the antenna types listed in the user guide with the maximum permissible gain and required antenna impedance for each antenna type indicated. Antenna types not included in this list, having a gain greater than the maximum gain indicated for that type, are strictly prohibited for use with this device.

Cet appareil numérique de la classe A ou B est conforme à la norme NMB-003 du Canada.

Les changements ou les modifications pas expressément approuvés par la partie responsable de la conformité ont pu vider l'autorité de l'utilisateur pour actionner l'équipement.

### **Concernant les EVMs avec appareils radio**

Le présent appareil est conforme aux CNR d'Industrie Canada applicables aux appareils radio exempts de licence. L'exploitation est autorisée aux deux conditions suivantes : (1) l'appareil ne doit pas produire de brouillage, et (2) l'utilisateur de l'appareil doit accepter tout brouillage radioélectrique subi, même si le brouillage est susceptible d'en compromettre le fonctionnement.

### **Concernant les EVMs avec antennes détachables**

Conformément à la réglementation d'Industrie Canada, le présent émetteur radio peut fonctionner avec une antenne d'un type et d'un gain maximal (ou inférieur) approuvé pour l'émetteur par Industrie Canada. Dans le but de réduire les risques de brouillage radioélectrique à l'intention des autres utilisateurs, il faut choisir le type d'antenne et son gain de sorte que la puissance isotrope rayonnée équivalente (p.i.r.e.) ne dépasse pas l'intensité nécessaire à l'établissement d'une communication satisfaisante.

Le présent émetteur radio a été approuvé par Industrie Canada pour fonctionner avec les types d'antenne énumérés dans le manuel d'usage et ayant un gain admissible maximal et l'impédance requise pour chaque type d'antenne. Les types d'antenne non inclus dans cette liste, ou dont le gain est supérieur au gain maximal indiqué, sont strictement interdits pour l'exploitation de l'émetteur.

## **【Important Notice for Users of EVMs for RF Products in Japan】**

**This development kit is NOT certified as Confirming to Technical Regulations of Radio Law of Japan**

If you use this product in Japan, you are required by Radio Law of Japan to follow the instructions below with respect to this product:

1. Use this product in a shielded room or any other test facility as defined in the notification #173 issued by Ministry of Internal Affairs and Communications on March 28, 2006, based on Sub-section 1.1 of Article 6 of the Ministry's Rule for Enforcement of Radio Law of Japan,
2. Use this product only after you obtained the license of Test Radio Station as provided in Radio Law of Japan with respect to this product, or
3. Use of this product only after you obtained the Technical Regulations Conformity Certification as provided in Radio Law of Japan with respect to this product. Also, please do not transfer this product, unless you give the same notice above to the transferee. Please note that if you could not follow the instructions above, you will be subject to penalties of Radio Law of Japan.

**Texas Instruments Japan Limited**  
**(address) 24-1, Nishi-Shinjuku 6 chome, Shinjuku-ku, Tokyo, Japan**

<http://www.tij.co.jp>

### **【無線電波を送信する製品の開発キットをお使いになる際の注意事項】**

本開発キットは技術基準適合証明を受けておりません。

本製品のご使用に際しては、電波法遵守のため、以下のいずれかの措置を取っていただく必要がありますのでご注意ください。

1. 電波法施行規則第6条第1項第1号に基づく平成18年3月28日総務省告示第173号で定められた電波暗室等の試験設備でご使用いただく。
2. 実験局の免許を取得後ご使用いただく。
3. 技術基準適合証明を取得後ご使用いただく。

なお、本製品は、上記の「ご使用にあたっての注意」を譲渡先、移転先に通知しない限り、譲渡、移転できないものとします。

上記を遵守頂けない場合は、電波法の罰則が適用される可能性があることをご留意ください。

日本テキサス・インスツルメンツ株式会社

東京都新宿区西新宿 6 丁目 2 4 番 1 号

西新宿三井ビル

<http://www.tij.co.jp>

## **EVALUATION BOARD/KIT/MODULE (EVM) WARNINGS, RESTRICTIONS AND DISCLAIMERS**

**For Feasibility Evaluation Only, in Laboratory/Development Environments.** Unless otherwise indicated, this EVM is not a finished electrical equipment and not intended for consumer use. It is intended solely for use for preliminary feasibility evaluation in laboratory/development environments by technically qualified electronics experts who are familiar with the dangers and application risks associated with handling electrical mechanical components, systems and subsystems. It should not be used as all or part of a finished end product.

Your Sole Responsibility and Risk. You acknowledge, represent and agree that:

1. You have unique knowledge concerning Federal, State and local regulatory requirements (including but not limited to Food and Drug Administration regulations, if applicable) which relate to your products and which relate to your use (and/or that of your employees, affiliates, contractors or designees) of the EVM for evaluation, testing and other purposes.
2. You have full and exclusive responsibility to assure the safety and compliance of your products with all such laws and other applicable regulatory requirements, and also to assure the safety of any activities to be conducted by you and/or your employees, affiliates, contractors or designees, using the EVM. Further, you are responsible to assure that any interfaces (electronic and/or mechanical) between the EVM and any human body are designed with suitable isolation and means to safely limit accessible leakage currents to minimize the risk of electrical shock hazard.
3. Since the EVM is not a completed product, it may not meet all applicable regulatory and safety compliance standards (such as UL, CSA, VDE, CE, RoHS and WEEE) which may normally be associated with similar items. You assume full responsibility to determine and/or assure compliance with any such standards and related certifications as may be applicable. You will employ reasonable safeguards to ensure that your use of the EVM will not result in any property damage, injury or death, even if the EVM should fail to perform as described or expected.
4. You will take care of proper disposal and recycling of the EVM's electronic components and packing materials.

**Certain Instructions.** It is important to operate this EVM within TI's recommended specifications and environmental considerations per the user guidelines. Exceeding the specified EVM ratings (including but not limited to input and output voltage, current, power, and environmental ranges) may cause property damage, personal injury or death. If there are questions concerning these ratings please contact a TI field representative prior to connecting interface electronics including input power and intended loads. Any loads applied outside of the specified output range may result in unintended and/or inaccurate operation and/or possible permanent damage to the EVM and/or interface electronics. Please consult the EVM User's Guide prior to connecting any load to the EVM output. If there is uncertainty as to the load specification, please contact a TI field representative. During normal operation, some circuit components may have case temperatures greater than 60°C as long as the input and output are maintained at a normal ambient operating temperature. These components include but are not limited to linear regulators, switching transistors, pass transistors, and current sense resistors which can be identified using the EVM schematic located in the EVM User's Guide. When placing measurement probes near these devices during normal operation, please be aware that these devices may be very warm to the touch. As with all electronic evaluation tools, only qualified personnel knowledgeable in electronic measurement and diagnostics normally found in development environments should use these EVMs.

**Agreement to Defend, Indemnify and Hold Harmless.** You agree to defend, indemnify and hold TI, its licensors and their representatives harmless from and against any and all claims, damages, losses, expenses, costs and liabilities (collectively, "Claims") arising out of or in connection with any use of the EVM that is not in accordance with the terms of the agreement. This obligation shall apply whether Claims arise under law of tort or contract or any other legal theory, and even if the EVM fails to perform as described or expected.

**Safety-Critical or Life-Critical Applications.** If you intend to evaluate the components for possible use in safety critical applications (such as life support) where a failure of the TI product would reasonably be expected to cause severe personal injury or death, such as devices which are classified as FDA Class III or similar classification, then you must specifically notify TI of such intent and enter into a separate Assurance and Indemnity Agreement.

Mailing Address: Texas Instruments, Post Office Box 655303, Dallas, Texas 75265  
Copyright © 2013, Texas Instruments Incorporated

## IMPORTANT NOTICE

Texas Instruments Incorporated and its subsidiaries (TI) reserve the right to make corrections, enhancements, improvements and other changes to its semiconductor products and services per JESD46, latest issue, and to discontinue any product or service per JESD48, latest issue. Buyers should obtain the latest relevant information before placing orders and should verify that such information is current and complete. All semiconductor products (also referred to herein as "components") are sold subject to TI's terms and conditions of sale supplied at the time of order acknowledgment.

TI warrants performance of its components to the specifications applicable at the time of sale, in accordance with the warranty in TI's terms and conditions of sale of semiconductor products. Testing and other quality control techniques are used to the extent TI deems necessary to support this warranty. Except where mandated by applicable law, testing of all parameters of each component is not necessarily performed.

TI assumes no liability for applications assistance or the design of Buyers' products. Buyers are responsible for their products and applications using TI components. To minimize the risks associated with Buyers' products and applications, Buyers should provide adequate design and operating safeguards.

TI does not warrant or represent that any license, either express or implied, is granted under any patent right, copyright, mask work right, or other intellectual property right relating to any combination, machine, or process in which TI components or services are used. Information published by TI regarding third-party products or services does not constitute a license to use such products or services or a warranty or endorsement thereof. Use of such information may require a license from a third party under the patents or other intellectual property of the third party, or a license from TI under the patents or other intellectual property of TI.

Reproduction of significant portions of TI information in TI data books or data sheets is permissible only if reproduction is without alteration and is accompanied by all associated warranties, conditions, limitations, and notices. TI is not responsible or liable for such altered documentation. Information of third parties may be subject to additional restrictions.

Resale of TI components or services with statements different from or beyond the parameters stated by TI for that component or service voids all express and any implied warranties for the associated TI component or service and is an unfair and deceptive business practice. TI is not responsible or liable for any such statements.

Buyer acknowledges and agrees that it is solely responsible for compliance with all legal, regulatory and safety-related requirements concerning its products, and any use of TI components in its applications, notwithstanding any applications-related information or support that may be provided by TI. Buyer represents and agrees that it has all the necessary expertise to create and implement safeguards which anticipate dangerous consequences of failures, monitor failures and their consequences, lessen the likelihood of failures that might cause harm and take appropriate remedial actions. Buyer will fully indemnify TI and its representatives against any damages arising out of the use of any TI components in safety-critical applications.

In some cases, TI components may be promoted specifically to facilitate safety-related applications. With such components, TI's goal is to help enable customers to design and create their own end-product solutions that meet applicable functional safety standards and requirements. Nonetheless, such components are subject to these terms.

No TI components are authorized for use in FDA Class III (or similar life-critical medical equipment) unless authorized officers of the parties have executed a special agreement specifically governing such use.

Only those TI components which TI has specifically designated as military grade or "enhanced plastic" are designed and intended for use in military/aerospace applications or environments. Buyer acknowledges and agrees that any military or aerospace use of TI components which have **not** been so designated is solely at the Buyer's risk, and that Buyer is solely responsible for compliance with all legal and regulatory requirements in connection with such use.

TI has specifically designated certain components as meeting ISO/TS16949 requirements, mainly for automotive use. In any case of use of non-designated products, TI will not be responsible for any failure to meet ISO/TS16949.

### Products

Audio	<a href="http://www.ti.com/audio">www.ti.com/audio</a>
Amplifiers	<a href="http://amplifier.ti.com">amplifier.ti.com</a>
Data Converters	<a href="http://dataconverter.ti.com">dataconverter.ti.com</a>
DLP® Products	<a href="http://www.dlp.com">www.dlp.com</a>
DSP	<a href="http://dsp.ti.com">dsp.ti.com</a>
Clocks and Timers	<a href="http://www.ti.com/clocks">www.ti.com/clocks</a>
Interface	<a href="http://interface.ti.com">interface.ti.com</a>
Logic	<a href="http://logic.ti.com">logic.ti.com</a>
Power Mgmt	<a href="http://power.ti.com">power.ti.com</a>
Microcontrollers	<a href="http://microcontroller.ti.com">microcontroller.ti.com</a>
RFID	<a href="http://www.ti-rfid.com">www.ti-rfid.com</a>
OMAP Applications Processors	<a href="http://www.ti.com/omap">www.ti.com/omap</a>
Wireless Connectivity	<a href="http://www.ti.com/wirelessconnectivity">www.ti.com/wirelessconnectivity</a>

### Applications

Automotive and Transportation	<a href="http://www.ti.com/automotive">www.ti.com/automotive</a>
Communications and Telecom	<a href="http://www.ti.com/communications">www.ti.com/communications</a>
Computers and Peripherals	<a href="http://www.ti.com/computers">www.ti.com/computers</a>
Consumer Electronics	<a href="http://www.ti.com/consumer-apps">www.ti.com/consumer-apps</a>
Energy and Lighting	<a href="http://www.ti.com/energy">www.ti.com/energy</a>
Industrial	<a href="http://www.ti.com/industrial">www.ti.com/industrial</a>
Medical	<a href="http://www.ti.com/medical">www.ti.com/medical</a>
Security	<a href="http://www.ti.com/security">www.ti.com/security</a>
Space, Avionics and Defense	<a href="http://www.ti.com/space-avionics-defense">www.ti.com/space-avionics-defense</a>
Video and Imaging	<a href="http://www.ti.com/video">www.ti.com/video</a>

### TI E2E Community

[e2e.ti.com](http://e2e.ti.com)