

XTR111 Demonstration Fixture

This user's guide describes the characteristics, operation, and use of the XTR111EVM evaluation module (EVM). This EVM features the [XTR111](#) voltage-to-current converter and has a flexible configuration, allowing for evaluation suitable to a variety of applications.

The following related documents are available through the Texas Instruments web site at www.ti.com.

Related Documentation from Texas Instruments

Document	Literature Number
XTR111 Product Data Sheet	SBOS375
<i>QFN / SON PCB Attachment</i> Application Note	SLUA271
<i>Quad Flatpack No-Lead Logic</i> Packages Application Note	SCBA017

1 XTR111 and XTR111EVM Overview

1.1 XTR111

The [XTR111](#) is a precision voltage-to-current converter designed for standard 0mA to 20mA or 4mA to 20mA analog signals, but it can source up to 36mA. The ratio between input voltage and output current is set by the single resistor, R_{SET} . This reference resistor is an external device because absolute accuracy is required and the performance can be selected to meet the application requirements.

The circuit can also be modified for voltage output.

An external P-MOSFET ensures high output resistance and a broad compliance voltage range extending from 2V below the positive supply (VSP) to voltages well below the negative supply (Gnd).

The adjustable 3V to 15V sub-regulator output provides the supply voltage for additional circuitry.

An error flag (\overline{EF}) is provided to indicate fault conditions on the current output. This flag indicates open load or high load resistance.

The XTR111 also provides output disable control (OD). OD must be asserted low to activate the output.

The XTR111 is available in either a DFN surface-mount package or an MSOP PowerPAD™ package.

1.2 XTR111EVM Overview

The XTR111EVM is intended to provide basic evaluation of XTR111 functionality. The fixture layout is not intended to be a model for the target circuit, nor is it laid out for electromagnetic compatibility (EMC) testing.

The layout of the XTR111EVM printed circuit board (PCB) is designed to provide:

- Easy handling of the small device package. A mechanical drawing of the recommended land pattern is found at the end of the product data sheet.
- Easy access to all pins of the device.
- Space for optional resistors and capacitors, as well as for the load resistor and a signal low-pass filter. Components are placed with adequate spacing, to allow modification and population with SOIC or leaded components.
- Resistors in the I/O connections to add additional handling protection for the EVM (these resistors may not be used in the final circuit).
- Open space around the IC to allow eventual re-soldering.

The external MOSFET mounted to the EVM is selected randomly from the available sources. Refer to the manufacturer's product data sheet for specification and limits.

The XTR111EVM is initially configured to a basic setup for 0mA to 20mA with 0V to 4V input. Note that the accuracy of R_5 (R_{SET}) used in the EVM is only 0.1%, whereas the XTR111 has greater accuracy. The other resistors are standard 1%. The voltage regulator is set to 5V.

The EVM requires one external supply voltage. The supply voltage range is 8V to 40V.

Refer to the [XTR111 product data sheet](#) for comprehensive information about the XTR111 and possible device configurations. [Figure 1](#) shows the XTR111 EVM.

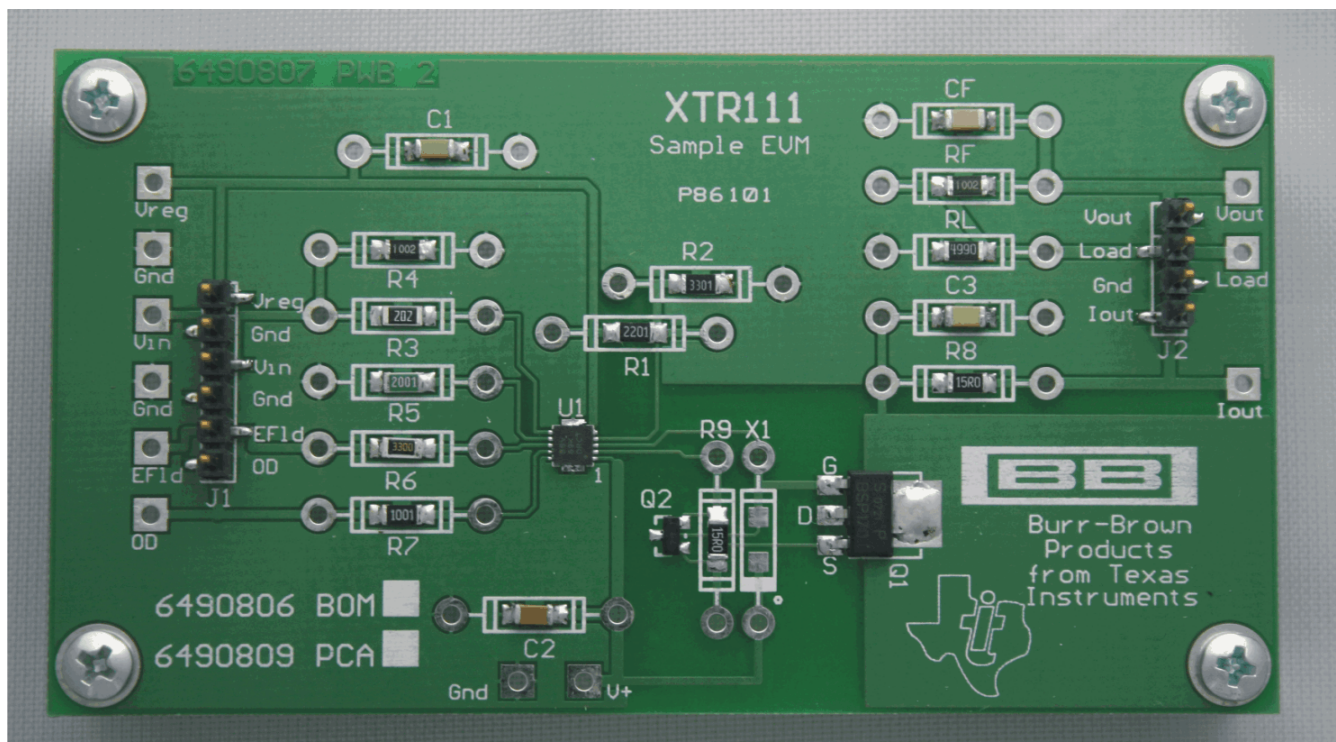


Figure 1. XTR111EVM

2 Quick Start Setup and Use

Follow these procedures to set up and use the XTR111EVM. See [Figure 2](#).

- Connect an external dc supply voltage of approximately +24V to the **V+** connector, referenced to the **Gnd** connector.
- Connect **OD** to **Gnd** (to enable the output).
- Connect **I_{OUT}** to **Load**.
- Turn power on. Expect a supply current of less than 0.6mA (without load and after charging the bypass capacitors). The voltage at **Vout** should stay close to **Gnd** with a small amount of offset (use an oscilloscope to observe the output signal).
- Connect a function generator or signal source to **Vin** referenced to **Gnd**. With R_{SET} of 2k Ω , the voltage at **Vin** must be set within 0V to 4V for 0mA to 20mA output.
- Connect **Iout** to **Load** and measure the voltage at **Vout**, or disconnect **Iout** from **Load** and then measure **Iout**.

Note: The accuracy for V to I conversion relies on R_5 (R_{SET}); R_L is only a conventional 1% resistor.

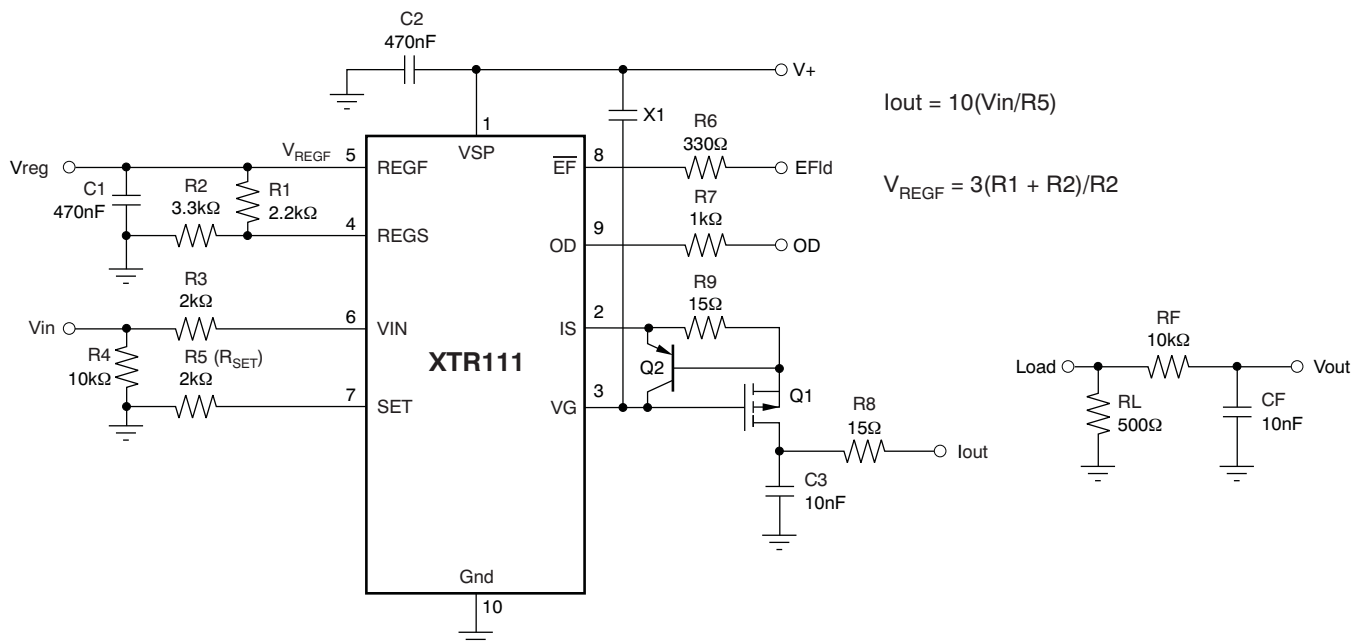


Figure 2. XTR111 EVM Circuit

3 Description of Components

This section summarizes the XTR111EVM components. (See also [Figure 3](#)).

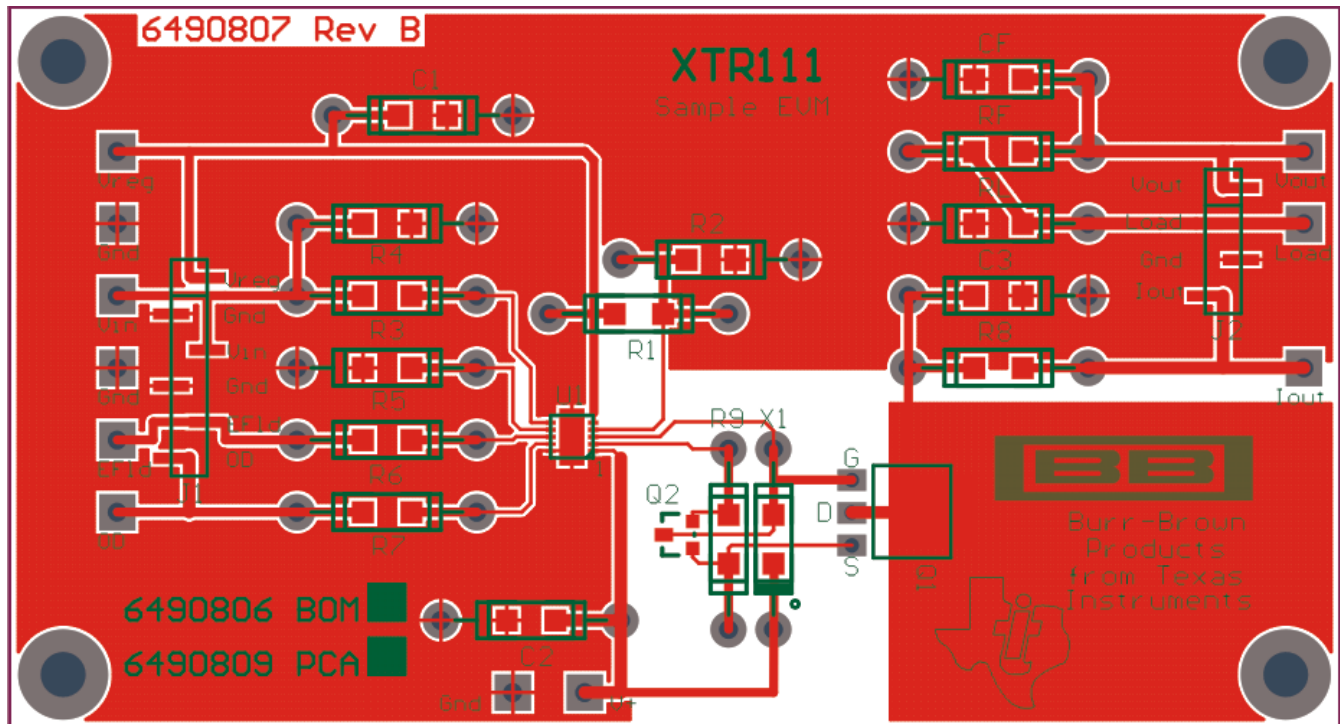


Figure 3. XTR111EVM PCB (Top Layer)

- **R1 and R2** adjust the output voltage of the voltage regulator. Both resistors influence drift and dc accuracy. **Vreg** is set to 5V.
- **R3** matches R5 (R_{SET}) for approximate cancellation of the bias current. This resistor also limits the current into the input if a signal is connected while power is off.
- **R4** is used on the EVM input to provide a signal reference while no signal is connected.
- **R5 (R_{SET})**: This resistor defines the voltage-to-current conversion ratio. It influences drift and dc accuracy (a 0.1%, 25ppm resistor is soldered in). With $R_{SET} = 2k\Omega$, the circuit converts 0V to 4V into 0mA to 20mA ($I_{out} = 10 \times V_{in}/R_{SET}$).
- **R6 and R7** are used to protect the digital I/O on the EVM.
- **OD** connected to **Gnd** activates the output. Left unconnected, a logic high or connection to **Vreg** disables the output.
- **EF** is an open-drain output with internal weak pull-up. A low indicates an error. For secure operation, a pull-up resistor to logic supply is recommended. See the [Digital I/O](#) section.
- **R8** can be used to decouple the drain connection from the outgoing wire. It can form a filter together with C3 to decouple the output from interfering signals.
- **RL** (500Ω) converts the output current into voltage, referred to **Gnd**, if **Iout** is connected to **Load**.
- **RF** forms a low-pass filter together with CF.
- **R9** (15Ω) limits the current to approximately 37mA.

With $R_F = 10\text{k}\Omega$ and $C_F = 10\text{nF}$, $\tau = 100\mu\text{s}$.

- **C1** is the capacitive bypass and capacitive load for the voltage regulator.
- **C2** is the supply bypass capacitor; use 100nF or larger.
- **CF** is part of the signal filter, together with R_F .
- **X1** is a placeholder for a capacitor that slows down gate control. It reduces the influence of the drain to gate capacitance. This capacitor is normally not required.
- **Gnd**: There is only one ground for this circuit. A single-sided PCB was chosen for the EVM.

Refer to the [product data sheet](#) for options and details.

4 Digital I/O

The error flag \overline{EF} is an open-drain output with an internal pull-up current of only $1\mu\text{A}$ to approximately 5V. This small current allows the user to observe the error flags with the $10\text{M}\Omega$ scope probe on the EVM. For normal operation, with connection to external logic inputs, an external pull-up resistor to logic supply is recommended. The control input for OD is internally pulled high with $4\mu\text{A}$. If this input is left unconnected, the XTR111 is in disable mode; therefore, connection to this pin is normally required.

4.1 Current Output

The XTR111 is designed for use with a discrete P-Channel MOSFET. This FET extends the voltage compliance for the controlled current to a potential well below the negative supply voltage, because it is not limited to the negative supply. It also eases circuit protection and heat dissipation.

4.2 Layout and Grounds

The XTR111EVM has the load resistor connected to the main GND. If this configuration is not desired for testing, Iout (not connected to **Load**) can be connected to an external load. The resistor R5 (R_{SET}) defines the voltage to current ratio; therefore, the reference point for this resistor is the signal input reference, as well. On the EVM, it is just connected to **Gnd**. Note that the exposed thermal flag must be connected to the most negative supply (normally **Gnd**).

The XTR111 uses internal chopping techniques to maintain its high accuracy and low drift. Therefore, sufficient supply bypassing with a low ESR capacitor is recommended.

Note: The EVM layout provides only marginal heat sinking for the XTR111 package. It is assumed sufficient for the purpose of the EVM because the fixture is mainly intended for quick and easy evaluation of the XTR111.

5 Bill of Materials

Table 1 shows the parts list for the XTR111_Test_Board.

Table 1. XTR111_Test_Board Parts List

No.	Quantity	Value	Ref Des	Description	Vendor	Part Number
1	1	2.2k	R1	Resistor, 2.2k 1% 1206	Vishay/Dale	CRCW12062K20FKEA
2	1	3.3k	R2	Resistor, 3.3k 1% 1206	Vishay/Dale	CRCW12063K30FKEA
3	1	2.0k	R3	Resistor, 2.0k 1% 1206	Vishay/Dale	CRCW12062K00FKEA
4	2	10.0k	R4, RF	Resistor, 10.0k 1% 1206	Vishay/Dale	CRCW120610K0FKEA
5	1	2.0k	R5	Resistor, TNPW1206 2K00 0.1% T-9 E52 e3	Vishay/Dale	TNPW12062K00BEEN
6	1	330	R6	Resistor, 330 1% 1206	Vishay/Dale	CRCW1206300RFKEA
7	1	1.0k	R7	Resistor, 1.0k 1% 1206	Vishay/Dale	CRCW12061K00FKEA
8	2	15	R8, R9	Resistor, 15 1% 1206	Vishay/Dale	CRCW120615R0FKEA
9	1	500	RL	Resistor, 499 1% 1206	Vishay/Dale	CRCW1206499RFKEA
10	2	470nF	C1, C2	Capacitor, Ceramic, 470nF, 1206	Kemet	C1206C474K5RACTU
11	2	10nF	C3, CF	Capacitor, Ceramic, 10nF, 1206	Kemet	C1206C103K5RACTU
12	1	N/A	U1	IC, XTR111, Precision Voltage-to-Current Converter/Transmitter	Texas Instruments	XTR111AIDRCT
13	1	N/A	Q1	MOSFET, P-CH, 60V 1.9A SOT223	Infineon	BSP170PE6327T
14	1	N/A	Q2	Transistor, PNP General purpose	Fairchild	MMBT5087
15	Optional/ Not Installed	N/A	X1	DIODE ZENER 16V 500MW SOD-123	Discrete Semiconductor Products	BZT52C16-7
16	1	N/A	J1	Terminal Strip, 6 pos, .025in sq, Single Row, Vertical, SMT	Samtec	TSM-106-01-L-SV
17	1	N/A	J2	Terminal Strip, 4 pos, .025in sq, Single Row, Vertical, SMT	Samtec	TSM-104-01-L-SV
18	4	N/A	See photo or example	Screw, Machine, Phillips, Panhead 4-40X1/4 SS	Building Fasteners	PMSSS 440 0025 PH
19	4	N/A	See photo or example	Standoffs, Hex, 4-40 Threaded, 0.500" length, 0.250" OD	Keystone Electronics	2203

Revision History

Changes from A Revision (September, 2008) to B Revision Page

- Revised statement about MSOP package option availability..... 1
 - Added *Bill of Materials* table 6
-

NOTE: Page numbers for previous revisions may differ from page numbers in the current version.

EVALUATION BOARD/KIT IMPORTANT NOTICE

Texas Instruments (TI) provides the enclosed product(s) under the following conditions:

This evaluation board/kit is intended for use for **ENGINEERING DEVELOPMENT, DEMONSTRATION, OR EVALUATION PURPOSES ONLY** and is not considered by TI to be a finished end-product fit for general consumer use. Persons handling the product(s) must have electronics training and observe good engineering practice standards. As such, the goods being provided are not intended to be complete in terms of required design-, marketing-, and/or manufacturing-related protective considerations, including product safety and environmental measures typically found in end products that incorporate such semiconductor components or circuit boards. This evaluation board/kit does not fall within the scope of the European Union directives regarding electromagnetic compatibility, restricted substances (RoHS), recycling (WEEE), FCC, CE or UL, and therefore may not meet the technical requirements of these directives or other related directives.

Should this evaluation board/kit not meet the specifications indicated in the User's Guide, the board/kit may be returned within 30 days from the date of delivery for a full refund. **THE FOREGOING WARRANTY IS THE EXCLUSIVE WARRANTY MADE BY SELLER TO BUYER AND IS IN LIEU OF ALL OTHER WARRANTIES, EXPRESSED, IMPLIED, OR STATUTORY, INCLUDING ANY WARRANTY OF MERCHANTABILITY OR FITNESS FOR ANY PARTICULAR PURPOSE.**

The user assumes all responsibility and liability for proper and safe handling of the goods. Further, the user indemnifies TI from all claims arising from the handling or use of the goods. Due to the open construction of the product, it is the user's responsibility to take any and all appropriate precautions with regard to electrostatic discharge.

EXCEPT TO THE EXTENT OF THE INDEMNITY SET FORTH ABOVE, NEITHER PARTY SHALL BE LIABLE TO THE OTHER FOR ANY INDIRECT, SPECIAL, INCIDENTAL, OR CONSEQUENTIAL DAMAGES.

TI currently deals with a variety of customers for products, and therefore our arrangement with the user **is not exclusive.**

TI assumes **no liability for applications assistance, customer product design, software performance, or infringement of patents or services described herein.**

Please read the User's Guide and, specifically, the Warnings and Restrictions notice in the User's Guide prior to handling the product. This notice contains important safety information about temperatures and voltages. For additional information on TI's environmental and/or safety programs, please contact the TI application engineer or visit www.ti.com/esh.

No license is granted under any patent right or other intellectual property right of TI covering or relating to any machine, process, or combination in which such TI products or services might be or are used.

FCC Warning

This evaluation board/kit is intended for use for **ENGINEERING DEVELOPMENT, DEMONSTRATION, OR EVALUATION PURPOSES ONLY** and is not considered by TI to be a finished end-product fit for general consumer use. It generates, uses, and can radiate radio frequency energy and has not been tested for compliance with the limits of computing devices pursuant to part 15 of FCC rules, which are designed to provide reasonable protection against radio frequency interference. Operation of this equipment in other environments may cause interference with radio communications, in which case the user at his own expense will be required to take whatever measures may be required to correct this interference.

EVM WARNINGS AND RESTRICTIONS

It is important to operate this EVM within the input voltage range of 0V to 12V or 0V to (V+) – 2.3V, whichever is less, and the output voltage range of 0mA to 36mA or 0V to 12V.

Exceeding the specified input range may cause unexpected operation and/or irreversible damage to the EVM. If there are questions concerning the input range, please contact a TI field representative prior to connecting the input power.

Applying loads outside of the specified output range may result in unintended operation and/or possible permanent damage to the EVM. Please consult the EVM User's Guide prior to connecting any load to the EVM output. If there is uncertainty as to the load specification, please contact a TI field representative.

During normal operation, some circuit components may have case temperatures greater than +50°C. The EVM is designed to operate properly with certain components above +50°C as long as the input and output ranges are maintained. These components include but are not limited to linear regulators, switching transistors, pass transistors, and current sense resistors. These types of devices can be identified using the EVM schematic located in the EVM User's Guide. When placing measurement probes near these devices during operation, please be aware that these devices may be very warm to the touch.

Mailing Address: Texas Instruments, Post Office Box 655303, Dallas, Texas 75265
Copyright © 2009, Texas Instruments Incorporated

IMPORTANT NOTICE

Texas Instruments Incorporated and its subsidiaries (TI) reserve the right to make corrections, modifications, enhancements, improvements, and other changes to its products and services at any time and to discontinue any product or service without notice. Customers should obtain the latest relevant information before placing orders and should verify that such information is current and complete. All products are sold subject to TI's terms and conditions of sale supplied at the time of order acknowledgment.

TI warrants performance of its hardware products to the specifications applicable at the time of sale in accordance with TI's standard warranty. Testing and other quality control techniques are used to the extent TI deems necessary to support this warranty. Except where mandated by government requirements, testing of all parameters of each product is not necessarily performed.

TI assumes no liability for applications assistance or customer product design. Customers are responsible for their products and applications using TI components. To minimize the risks associated with customer products and applications, customers should provide adequate design and operating safeguards.

TI does not warrant or represent that any license, either express or implied, is granted under any TI patent right, copyright, mask work right, or other TI intellectual property right relating to any combination, machine, or process in which TI products or services are used. Information published by TI regarding third-party products or services does not constitute a license from TI to use such products or services or a warranty or endorsement thereof. Use of such information may require a license from a third party under the patents or other intellectual property of the third party, or a license from TI under the patents or other intellectual property of TI.

Reproduction of TI information in TI data books or data sheets is permissible only if reproduction is without alteration and is accompanied by all associated warranties, conditions, limitations, and notices. Reproduction of this information with alteration is an unfair and deceptive business practice. TI is not responsible or liable for such altered documentation. Information of third parties may be subject to additional restrictions.

Resale of TI products or services with statements different from or beyond the parameters stated by TI for that product or service voids all express and any implied warranties for the associated TI product or service and is an unfair and deceptive business practice. TI is not responsible or liable for any such statements.

TI products are not authorized for use in safety-critical applications (such as life support) where a failure of the TI product would reasonably be expected to cause severe personal injury or death, unless officers of the parties have executed an agreement specifically governing such use. Buyers represent that they have all necessary expertise in the safety and regulatory ramifications of their applications, and acknowledge and agree that they are solely responsible for all legal, regulatory and safety-related requirements concerning their products and any use of TI products in such safety-critical applications, notwithstanding any applications-related information or support that may be provided by TI. Further, Buyers must fully indemnify TI and its representatives against any damages arising out of the use of TI products in such safety-critical applications.

TI products are neither designed nor intended for use in military/aerospace applications or environments unless the TI products are specifically designated by TI as military-grade or "enhanced plastic." Only products designated by TI as military-grade meet military specifications. Buyers acknowledge and agree that any such use of TI products which TI has not designated as military-grade is solely at the Buyer's risk, and that they are solely responsible for compliance with all legal and regulatory requirements in connection with such use.

TI products are neither designed nor intended for use in automotive applications or environments unless the specific TI products are designated by TI as compliant with ISO/TS 16949 requirements. Buyers acknowledge and agree that, if they use any non-designated products in automotive applications, TI will not be responsible for any failure to meet such requirements.

Following are URLs where you can obtain information on other Texas Instruments products and application solutions:

Products

Amplifiers	amplifier.ti.com
Data Converters	dataconverter.ti.com
DLP® Products	www.dlp.com
DSP	dsp.ti.com
Clocks and Timers	www.ti.com/clocks
Interface	interface.ti.com
Logic	logic.ti.com
Power Mgmt	power.ti.com
Microcontrollers	microcontroller.ti.com
RFID	www.ti-rfid.com
RF/IF and ZigBee® Solutions	www.ti.com/lprf

Applications

Audio	www.ti.com/audio
Automotive	www.ti.com/automotive
Broadband	www.ti.com/broadband
Digital Control	www.ti.com/digitalcontrol
Medical	www.ti.com/medical
Military	www.ti.com/military
Optical Networking	www.ti.com/opticalnetwork
Security	www.ti.com/security
Telephony	www.ti.com/telephony
Video & Imaging	www.ti.com/video
Wireless	www.ti.com/wireless

Mailing Address: Texas Instruments, Post Office Box 655303, Dallas, Texas 75265
Copyright © 2009, Texas Instruments Incorporated