



## 24-BIT, 192-kHz SAMPLING, ADVANCED SEGMENT, AUDIO STEREO DIGITAL-TO-ANALOG CONVERTER

### FEATURES

- Supports Both DSD and PCM Formats
- 24-Bit Resolution
- Analog Performance:
  - Dynamic Range: 123 dB
  - THD+N: 0.0005%
- Differential Current Output: 4 mA p-p
- 8× Oversampling Digital Filter:
  - Stop-Band Attenuation: –98 dB
  - Pass-Band Ripple: ±0.0002 dB
- Sampling Frequency: 10 kHz to 200 kHz
- System Clock: 128, 192, 256, 384, 512, or 768 f<sub>S</sub> With Autodetect
- Accepts 16-, 20-, and 24-Bit Audio Data
- PCM Data Formats: Standard, I<sup>2</sup>S, and Left-Justified
- DSD Format Interface Available
- Interface Available for Optional External Digital Filter or DSP
- TDMCA Interface Available
- User-Programmable Mode Controls:
  - Digital Attenuation: 0 dB to –120 dB, 0.5 dB/Step
  - Digital De-Emphasis
  - Digital Filter Rolloff: Sharp or Slow
  - Soft Mute
- Compatible With DSD1792 (Pins and Mode Controls)
- Dual Supply Operation:
  - 5-V Analog, 3.3-V Digital

- 5-V Tolerant Digital Inputs
- Small 28-Lead SSOP Package

### APPLICATIONS

- A/V Receivers
- SACD Players
- DVD Players
- HDTV Receivers
- Car Audio Systems
- Digital Multi-Track Recorders
- Other Applications Requiring 24-Bit Audio

### DESCRIPTION

The DSD1796 is a monolithic CMOS integrated circuit that includes stereo digital-to-analog converters and support circuitry in a small 28-lead SSOP package. The data converters use TI's advanced-segment DAC architecture to achieve excellent dynamic performance and improved tolerance to clock jitter. The DSD1796 provides balanced current outputs, allowing the user to optimize analog performance externally. The DSD1796 accepts the PCM and DSD audio data formats, providing easy interfacing to audio DSP and decoder chips. The DSD1796 also interfaces with external digital filter devices (DF1704, DF1706, PMD200). Sampling rates up to 200 kHz are supported. A full set of user-programmable functions is accessible through an SPI serial control port, which supports register write and readback functions. The DSD1796 also supports the time-division-multiplexed command and audio (TDMCA) data format.



This integrated circuit can be damaged by ESD. Texas Instruments recommends that all integrated circuits be handled with appropriate precautions. Failure to observe proper handling and installation procedures can cause damage.

ESD damage can range from subtle performance degradation to complete device failure. Precision integrated circuits may be more susceptible to damage because very small parametric changes could cause the device not to meet its published specifications.



Please be aware that an important notice concerning availability, standard warranty, and use in critical applications of Texas Instruments semiconductor products and disclaimers thereto appears at the end of this data sheet.

## ORDERING INFORMATION

| PRODUCT   | PACKAGE      | PACKAGE CODE | OPERATION TEMPERATURE RANGE | PACKAGE MARKING | ORDERING NUMBER | TRANSPORT MEDIA |
|-----------|--------------|--------------|-----------------------------|-----------------|-----------------|-----------------|
| DSD1796DB | 28-lead SSOP | 28DB         | –25°C to 85°C               | DSD1796         | DSD1796DB       | Tube            |
|           |              |              |                             |                 | DSD1796DBR      | Tape and reel   |

## ABSOLUTE MAXIMUM RATINGS

over operating free-air temperature range unless otherwise noted<sup>(1)</sup>

|  |   | DSD1796                              |
|--|---|--------------------------------------|
| Supply voltage   | $V_{CC1}, V_{CC2L}, V_{CC2R}$   | –0.3 V to 6.5 V                      |
|  | $V_{DD}$  | –0.3 V to 4 V                        |
| Supply voltage differences: $V_{CC1}, V_{CC2L}, V_{CC2R}$      |   | ±0.1 V                               |
| Ground voltage differences: AGND1, AGND2, AGND3L, AGND3R, DGND |   | ±0.1 V                               |
| Digital input voltage  | PLRCK, PDATA, PBCK, SCK, $\overline{RST}$ , $\overline{MS}^{(2)}$ , MDI, MC, DSDL <sup>(2)</sup> , DSDR <sup>(2)</sup> , DBCK | –0.3 V to 6.5 V                      |
|  | DSDL <sup>(3)</sup> , DSDR <sup>(3)</sup> , $\overline{MS}^{(3)}$ , MDO   | –0.3 V to $(V_{DD} + 0.3 V) < 4 V$   |
| Analog input voltage   |   | –0.3 V to $(V_{CC} + 0.3 V) < 6.5 V$ |
| Input current (any pins except supplies)                       |   | ±10 mA                               |
| Ambient temperature under bias                                 |   | –40°C to 125°C                       |
| Storage temperature  |   | –55°C to 150°C                       |
| Junction temperature   |   | 150°C                                |
| Lead temperature (soldering)                                   |   | 260°C, 5 s                           |
| Package temperature (IR reflow, peak)                          |   | 260°C                                |

(1) Stresses beyond those listed under “absolute maximum ratings” may cause permanent damage to the device. These are stress ratings only, and functional operation of the device at these or any other conditions beyond those indicated under “recommended operating conditions” is not implied. Exposure to absolute-maximum-rated conditions for extended periods may affect device reliability.

(2) Input mode

(3) Output mode

## ELECTRICAL CHARACTERISTICS

all specifications at  $T_A = 25^\circ\text{C}$ ,  $V_{CC1} = V_{CC2L} = V_{CC2R} = 5\text{ V}$ ,  $V_{DD} = 3.3\text{ V}$ ,  $f_S = 44.1\text{ kHz}$ , system clock = 256  $f_S$ , and 24-bit data unless otherwise noted

| PARAMETER                     | TEST CONDITIONS             | DSD1796DB                                  |     |         | UNIT |
|-------------------------------|-----------------------------|--|-----|---------|------|
|                               |                             | MIN  | TYP | MAX     |      |
| <b>RESOLUTION</b>             |                             |  | 24  |         | Bits |
| <b>DATA FORMAT (PCM Mode)</b> |                             |  |     |         |      |
|                               | Audio data interface format | Standard, I <sup>2</sup> S, left-justified |     |         |      |
|                               | Audio data bit length       | 16-, 20-, 24-bit selectable                |     |         |      |
|                               | Audio data format           | MSB first, 2s complement                   |     |         |      |
| $f_S$                         | Sampling frequency          | 10   |     | 200     | kHz  |
|                               | System clock frequency      | 128, 192, 256, 384, 512, 768 $f_S$         |     |         |      |
| <b>DATA FORMAT (DSD Mode)</b> |                             |  |     |         |      |
|                               | Audio data interface format | DSD (direct stream digital)                |     |         |      |
|                               | Audio data bit length       | 1 bit                                      |     |         |      |
| $f_S$                         | Sampling frequency          | 2.8224                                     |     |         | MHz  |
|                               | System clock frequency      | 2.8224                                     |     | 11.2896 | MHz  |

## ELECTRICAL CHARACTERISTICS (Continued)

all specifications at  $T_A = 25^\circ\text{C}$ ,  $V_{CC1} = V_{CC2L} = V_{CC2R} = 5\text{ V}$ ,  $V_{DD} = 3.3\text{ V}$ ,  $f_S = 44.1\text{ kHz}$ , system clock =  $256 f_S$ , and 24-bit data unless otherwise noted

| PARAMETER  | TEST CONDITIONS                           | DSD1796DB   |           |         | UNIT |
|--|---|---|-----------|---------|------|
|  |   | MIN   | TYP       | MAX     |      |
| <b>DIGITAL INPUT/OUTPUT</b>                      |   |   |           |         |      |
| Logic family                                     |   | TTL compatible                                    |           |         |      |
| $V_{IH}$<br>$V_{IL}$                             | Input logic level                         | 2   |           |         | VDC  |
| $I_{IH}$<br>$I_{IL}$                             | Input logic current                       | $V_{IN} = V_{DD}$<br>$V_{IN} = 0\text{ V}$        | 10<br>-10 |         |      |
| $V_{OH}$<br>$V_{OL}$                             | Output logic level                        | $I_{OH} = -2\text{ mA}$<br>$I_{OL} = 2\text{ mA}$ | 2.4       |         | VDC  |
| $I_{OHZ}$<br>$I_{OLZ}$                           | High-impedance output logic current(1)    | $V_{OUT} = V_{DD}$<br>$V_{OUT} = 0\text{ V}$      | 10<br>-10 |         |      |
| <b>DYNAMIC PERFORMANCE (PCM MODE) (2)(3)</b>     |   |   |           |         |      |
| THD+N at $V_{OUT} = 0\text{ dB}$                 | $f_S = 44.1\text{ kHz}$                   | 0.0005%   |           | 0.001%  |      |
|  | $f_S = 96\text{ kHz}$                     | 0.001%  |           |         |      |
|  | $f_S = 192\text{ kHz}$                    | 0.0015%   |           |         |      |
| Dynamic range                                    | EIAJ, A-weighted, $f_S = 44.1\text{ kHz}$ | 120   | 123       |         | dB   |
|  | EIAJ, A-weighted, $f_S = 96\text{ kHz}$   | 123   |           |         |      |
|  | EIAJ, A-weighted, $f_S = 192\text{ kHz}$  | 123   |           |         |      |
| Signal-to-noise ratio                            | EIAJ, A-weighted, $f_S = 44.1\text{ kHz}$ | 120   | 123       |         | dB   |
|  | EIAJ, A-weighted, $f_S = 96\text{ kHz}$   | 123   |           |         |      |
|  | EIAJ, A-weighted, $f_S = 192\text{ kHz}$  | 123   |           |         |      |
| Channel separation                               | $f_S = 44.1\text{ kHz}$                   | 116   | 119       |         | dB   |
|  | $f_S = 96\text{ kHz}$                     | 118   |           |         |      |
|  | $f_S = 192\text{ kHz}$                    | 117   |           |         |      |
| Level linearity error                            | $V_{OUT} = -120\text{ dB}$                |   |           | $\pm 1$ | dB   |
| <b>DYNAMIC PERFORMANCE (MONO MODE) (2)(3)(4)</b> |   |   |           |         |      |
| THD+N at $V_{OUT} = 0\text{ dB}$                 | $f_S = 44.1\text{ kHz}$                   | 0.0005%   |           |         |      |
|  | $f_S = 96\text{ kHz}$                     | 0.001%  |           |         |      |
|  | $f_S = 192\text{ kHz}$                    | 0.0015%   |           |         |      |
| Dynamic range                                    | EIAJ, A-weighted, $f_S = 44.1\text{ kHz}$ | 126   |           |         | dB   |
|  | EIAJ, A-weighted, $f_S = 96\text{ kHz}$   | 126   |           |         |      |
|  | EIAJ, A-weighted, $f_S = 192\text{ kHz}$  | 126   |           |         |      |
| Signal-to-noise ratio                            | EIAJ, A-weighted, $f_S = 44.1\text{ kHz}$ | 126   |           |         | dB   |
|  | EIAJ, A-weighted, $f_S = 96\text{ kHz}$   | 126   |           |         |      |
|  | EIAJ, A-weighted, $f_S = 192\text{ kHz}$  | 126   |           |         |      |

(1) Pin 13 (MDO)

(2) Filter condition:

THD+N: 20-Hz HPF, 20-kHz AES17 LPF

Dynamic range: 20-Hz HPF, 20-kHz AES17 LPF, A-weighted

Signal-to-noise ratio: 20-Hz HPF, 20-kHz AES17 LPF, A-weighted

Channel separation: 20-Hz HPF, 20-kHz AES17 LPF

Analog performance specifications are measured using the System Two™ Cascade audio measurement system by Audio Precision™ in the averaging mode.

(3) Dynamic performance and DC accuracy are specified at the output of the postamplifier as shown in Figure 32.

(4) Dynamic performance and DC accuracy are specified at the output of the measurement circuit as shown in Figure 34.

**ELECTRICAL CHARACTERISTICS (Continued)**

all specifications at  $T_A = 25^\circ\text{C}$ ,  $V_{CC1} = V_{CC2L} = V_{CC2R} = 5\text{ V}$ ,  $V_{DD} = 3.3\text{ V}$ ,  $f_S = 44.1\text{ kHz}$ , system clock =  $256 f_S$ , and 24-bit data unless otherwise noted

| PARAMETER   | TEST CONDITIONS          | DSD1796DB    |           |     | UNIT     |
|---|--------------------------|--------------|-----------|-----|----------|
|   |                          | MIN          | TYP       | MAX |          |
| <b>DSD MODE DYNAMIC PERFORMANCE (1) (2) (44.1 kHz, 64 <math>f_S</math>)</b> |                          |              |           |     |          |
| THD+N at FS   | 2 V rms                  | 0.0007%      |           |     |          |
| Dynamic range   | -60 dB, EIAJ, A-weighted | 122          |           |     | dB       |
| Signal-to-noise ratio   | EIAJ, A-weighted         | 122          |           |     | dB       |
| <b>ANALOG OUTPUT</b>  |                          |              |           |     |          |
| Gain error  |                          | -7           | $\pm 2$   | 7   | % of FSR |
| Gain mismatch, channel-to-channel   |                          | -3           | $\pm 0.5$ | 3   | % of FSR |
| Bipolar zero error  | At BPZ                   | -2           | $\pm 0.5$ | 2   | % of FSR |
| Output current  | Full scale (0 dB)        | 4            |           |     | mA p-p   |
| Center current  | At BPZ                   | -3.5         |           |     | mA       |
| <b>DIGITAL FILTER PERFORMANCE</b>   |                          |              |           |     |          |
| De-emphasis error   |                          | $\pm 0.1$    |           |     | dB       |
| <b>FILTER CHARACTERISTICS-1: SHARP ROLLOFF</b>                              |                          |              |           |     |          |
| Pass band   | $\pm 0.0002\text{ dB}$   | 0.454 $f_S$  |           |     |          |
|   | -3 dB                    | 0.49 $f_S$   |           |     |          |
| Stop band   |                          | 0.546 $f_S$  |           |     |          |
| Pass-band ripple  |                          | $\pm 0.0002$ |           |     | dB       |
| Stop-band attenuation   | Stop band = 0.546 $f_S$  | -98          |           |     | dB       |
| Delay time  |                          | 38/ $f_S$    |           |     | s        |
| <b>FILTER CHARACTERISTICS-2: SLOW ROLLOFF</b>                               |                          |              |           |     |          |
| Pass band   | $\pm 0.001\text{ dB}$    | 0.21 $f_S$   |           |     |          |
|   | -3 dB                    | 0.448 $f_S$  |           |     |          |
| Stop band   |                          | 0.79 $f_S$   |           |     |          |
| Pass-band ripple  |                          | $\pm 0.001$  |           |     | dB       |
| Stop-band attenuation   | Stop band = 0.732 $f_S$  | -80          |           |     | dB       |
| Delay time  |                          | 38/ $f_S$    |           |     | s        |

(1) Filter condition:

THD+N: 20-Hz HPF, 20-kHz AES17 LPF

Dynamic range: 20-Hz HPF, 20-kHz AES17 LPF, A-weighted

Signal-to-noise ratio: 20-Hz HPF, 20-kHz AES17 LPF, A-weighted

Channel separation: 20-Hz HPF, 20-kHz AES17 LPF

Analog performance specifications are measured using the System Two Cascade audio measurement system by Audio Precision in the averaging mode.

(2) Dynamic performance and DC accuracy are specified at the output of the postamplifier as shown in Figure 33.

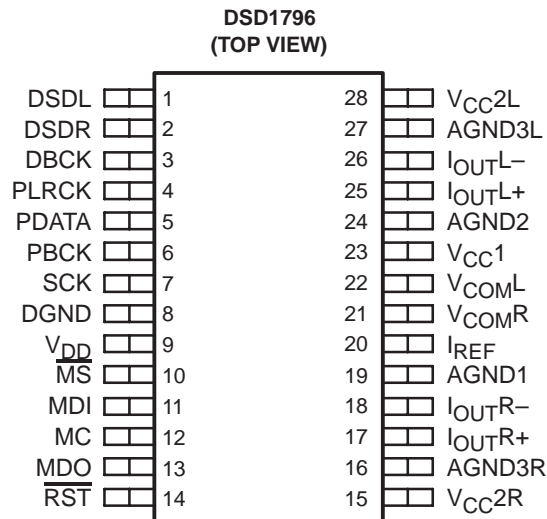
## ELECTRICAL CHARACTERISTICS (Continued)

all specifications at  $T_A = 25^\circ\text{C}$ ,  $V_{CC1} = V_{CC2L} = V_{CC2R} = 5\text{ V}$ ,  $V_{DD} = 3.3\text{ V}$ ,  $f_S = 44.1\text{ kHz}$ , system clock = 256  $f_S$ , and 24-bit data unless otherwise noted

| PARAMETER                        | TEST CONDITIONS         | DSD1796DB               |     |      | UNIT               |
|----------------------------------|-------------------------|-------------------------|-----|------|--------------------|
|                                  |                         | MIN                     | TYP | MAX  |                    |
| <b>POWER SUPPLY REQUIREMENTS</b> |                         |                         |     |      |                    |
| $V_{DD}$                         |                         | 3                       | 3.3 | 3.6  | VDC                |
| $V_{CC1}$                        | Voltage range           | 4.75                    | 5   | 5.25 | VDC                |
| $V_{CC2L}$                       |                         |                         |     |      |                    |
| $V_{CC2R}$                       |                         |                         |     |      |                    |
|                                  |                         |                         |     |      |                    |
| $I_{DD}$                         | Supply current (1)      | $f_S = 44.1\text{ kHz}$ | 7   | 9    | mA                 |
|                                  |                         | $f_S = 96\text{ kHz}$   | 13  |      |                    |
|                                  |                         | $f_S = 192\text{ kHz}$  | 25  |      |                    |
| $I_{CC}$                         |                         | $f_S = 44.1\text{ kHz}$ | 18  | 23   | mA                 |
|                                  |                         | $f_S = 96\text{ kHz}$   | 19  |      |                    |
|                                  |                         | $f_S = 192\text{ kHz}$  | 20  |      |                    |
| Power dissipation (1)            | $f_S = 44.1\text{ kHz}$ | 115                     | 150 | mW   |                    |
|                                  | $f_S = 96\text{ kHz}$   | 140                     |     |      |                    |
|                                  | $f_S = 192\text{ kHz}$  | 180                     |     |      |                    |
| <b>TEMPERATURE RANGE</b>         |                         |                         |     |      |                    |
| Operation temperature            |                         | -25                     |     | 85   | $^\circ\text{C}$   |
| $\theta_{JA}$ Thermal resistance | 28-pin SSOP             |                         | 100 |      | $^\circ\text{C/W}$ |

(1) Input is BPZ data.

## PIN ASSIGNMENTS



## Terminal Functions

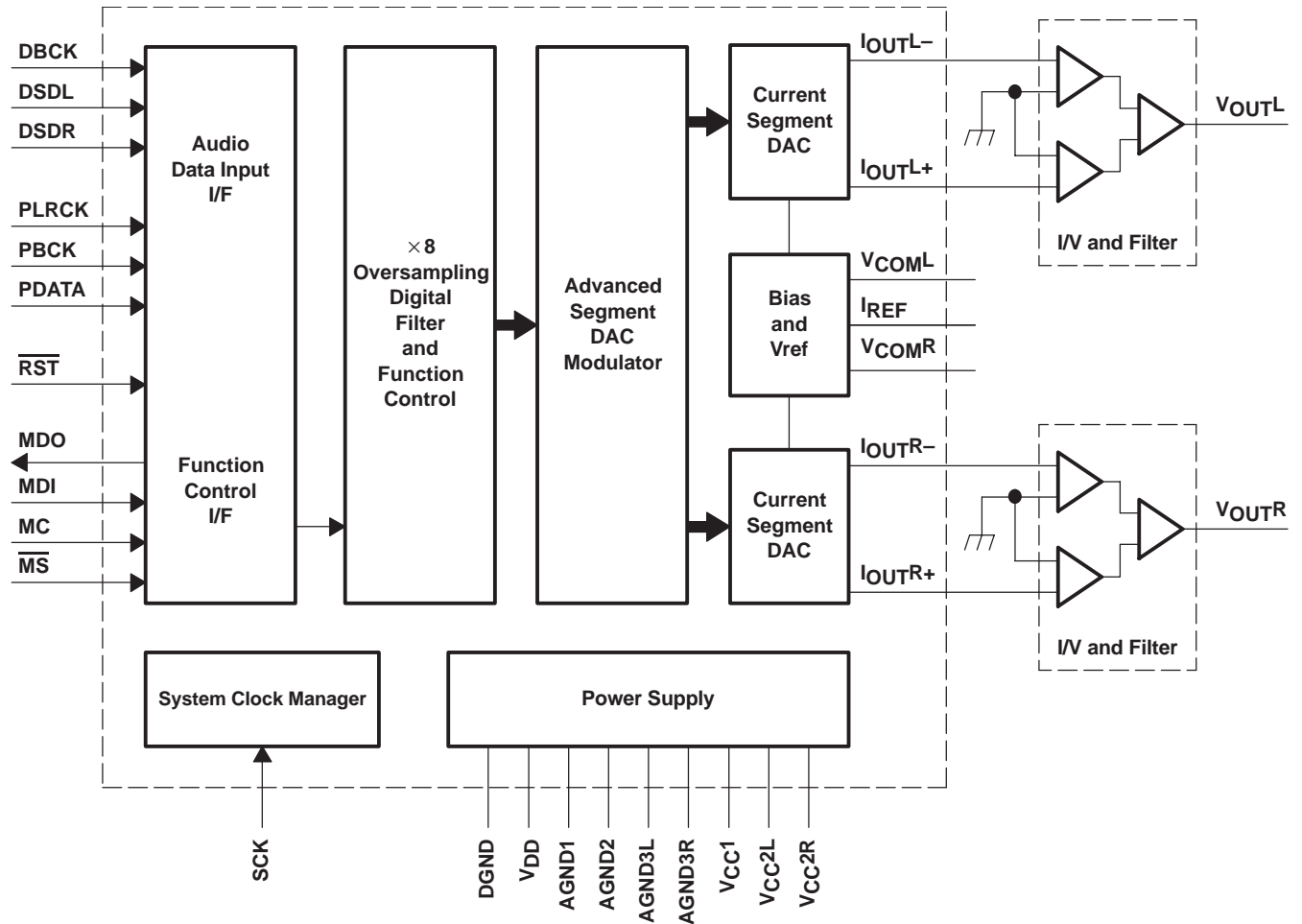
| TERMINAL<br>NAME      PIN |    | I/O | DESCRIPTIONS  |
|---------------------------|----|-----|---|
| AGND1                     | 19 | –   | Analog ground (internal bias)   |
| AGND2                     | 24 | –   | Analog ground (internal bias)   |
| AGND3L                    | 27 | –   | Analog ground (L-channel DACFF)   |
| AGND3R                    | 16 | –   | Analog ground (R-channel DACFF)   |
| DBCK                      | 3  | I   | Bit clock input for DSD mode (1)  |
| DGND                      | 8  | –   | Digital ground  |
| DSDL                      | 1  | I/O | L-channel audio data input for DSD mode<br>PCM mode zero flag for L-channel when in zero-flag output mode(2)  |
| DSDR                      | 2  | I/O | R-channel audio data input for DSD mode<br>PCM mode zero flag for R-channel when in zero-flag output mode (2) |
| I <sub>OUTL+</sub>        | 25 | O   | L-channel analog current output +   |
| I <sub>OUTL-</sub>        | 26 | O   | L-channel analog current output –   |
| I <sub>OUTR+</sub>        | 17 | O   | R-channel analog current output +   |
| I <sub>OUTR-</sub>        | 18 | O   | R-channel analog current output –   |
| I <sub>REF</sub>          | 20 | –   | Output current reference bias pin   |
| MC                        | 12 | I   | Mode control clock input(1)   |
| MDI                       | 11 | I   | Mode control data input (1)   |
| MDO                       | 13 | O   | Mode control readback data output (3)   |
| $\overline{\text{MS}}$    | 10 | I/O | Mode control chip-select input(2)   |
| PBCK                      | 6  | I   | Bit clock input for PCM mode (1)  |
| PDATA                     | 5  | I   | Serial audio data input for PCM mode (1)  |
| PLRCK                     | 4  | I   | Left and right clock ( $f_S$ ) input for PCM mode (1)   |
| $\overline{\text{RST}}$   | 14 | I   | Reset(1)  |
| SCK                       | 7  | I   | System clock input (1)  |
| V <sub>CC1</sub>          | 23 | –   | Analog power supply, 5 V  |
| V <sub>CC2L</sub>         | 28 | –   | Analog power supply (L-channel DACFF), 5 V  |
| V <sub>CC2R</sub>         | 15 | –   | Analog power supply (R-channel DACFF), 5 V  |
| V <sub>COML</sub>         | 22 | –   | L-channel internal bias decoupling pin  |
| V <sub>COMR</sub>         | 21 | –   | R-channel internal bias decoupling pin  |
| V <sub>DD</sub>           | 9  | –   | Digital power supply, 3.3 V   |

(1) Schmitt-trigger input, 5-V tolerant

(2) Schmitt-trigger input and output. 5-V tolerant input, and CMOS output

(3) 3-state output

**FUNCTIONAL BLOCK DIAGRAM**



TYPICAL PERFORMANCE CURVES

DIGITAL FILTER

Digital Filter Response

AMPLITUDE  
vs  
FREQUENCY

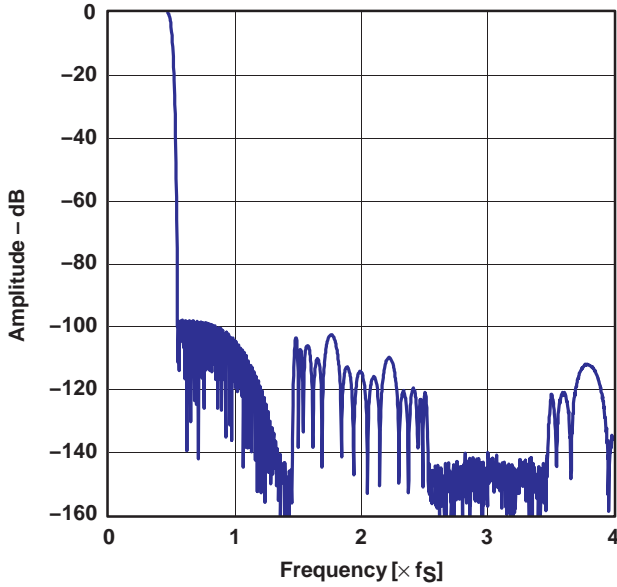


Figure 1. Frequency Response, Sharp Rolloff

AMPLITUDE  
vs  
FREQUENCY

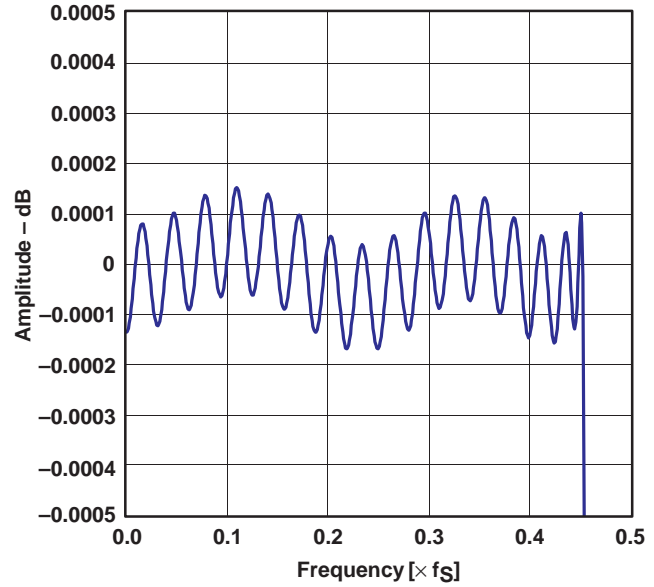


Figure 2. Pass-Band Ripple, Sharp Rolloff

AMPLITUDE  
vs  
FREQUENCY

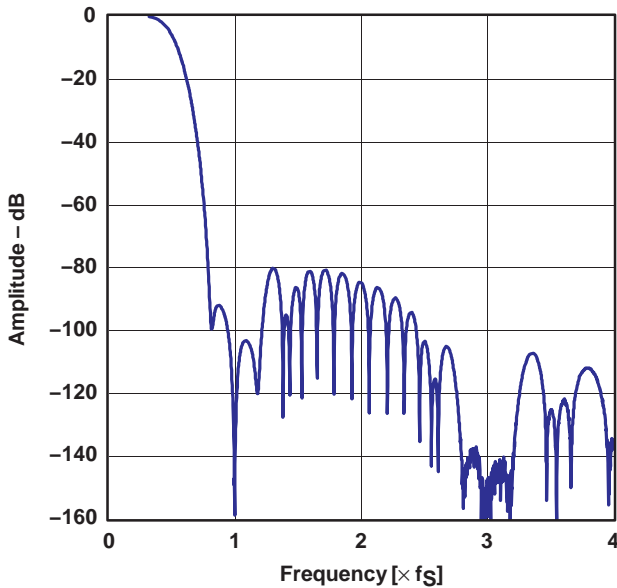


Figure 3. Frequency Response, Slow Rolloff

AMPLITUDE  
vs  
FREQUENCY

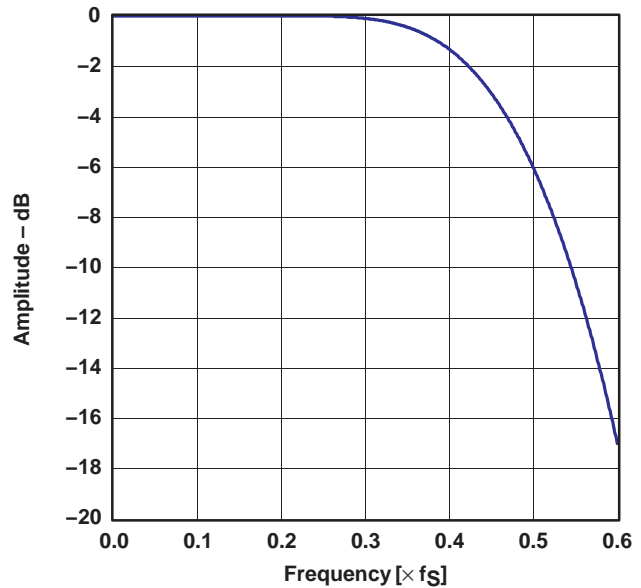


Figure 4. Transition Characteristics, Slow Rolloff



De-Emphasis Filter

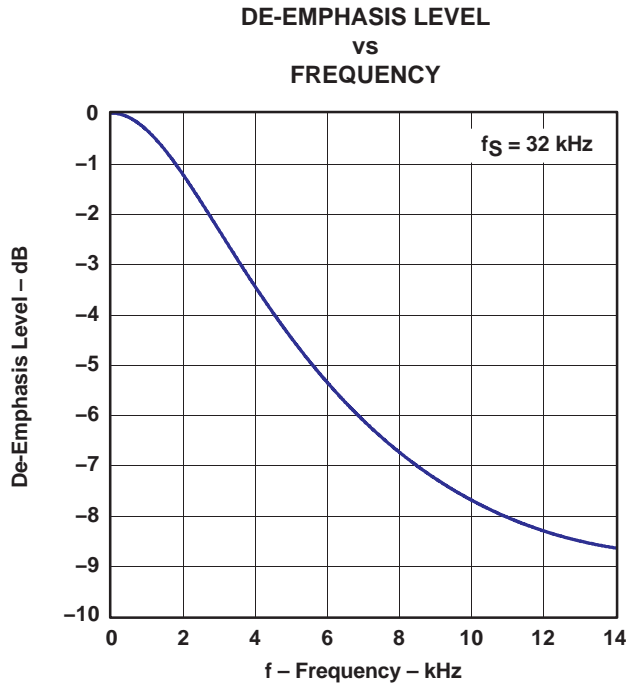


Figure 5

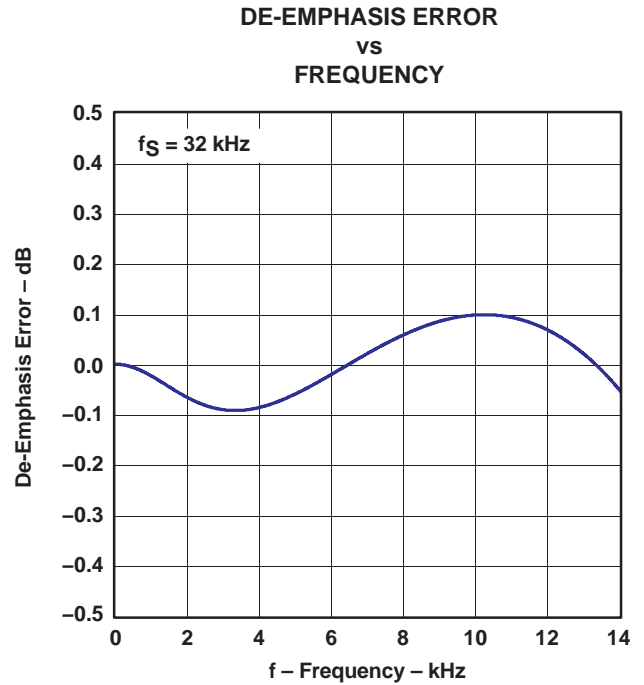


Figure 6

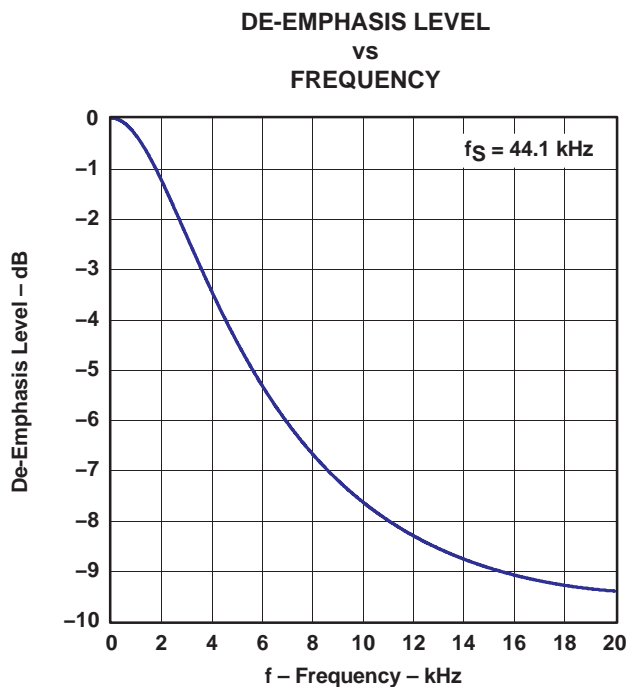


Figure 7

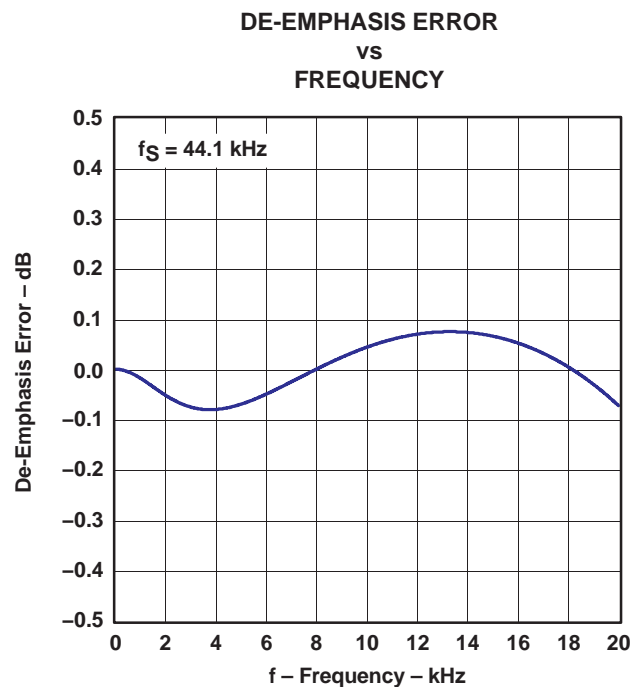


Figure 8

De-Emphasis Filter (Continued)

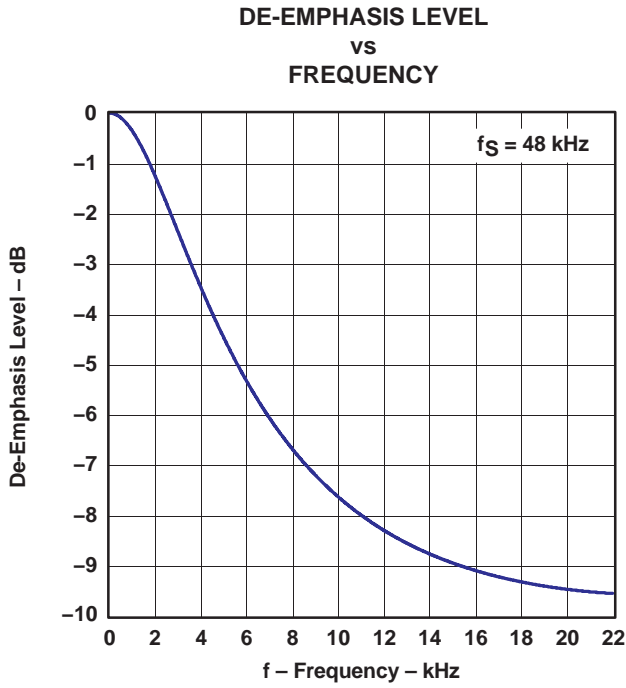


Figure 9

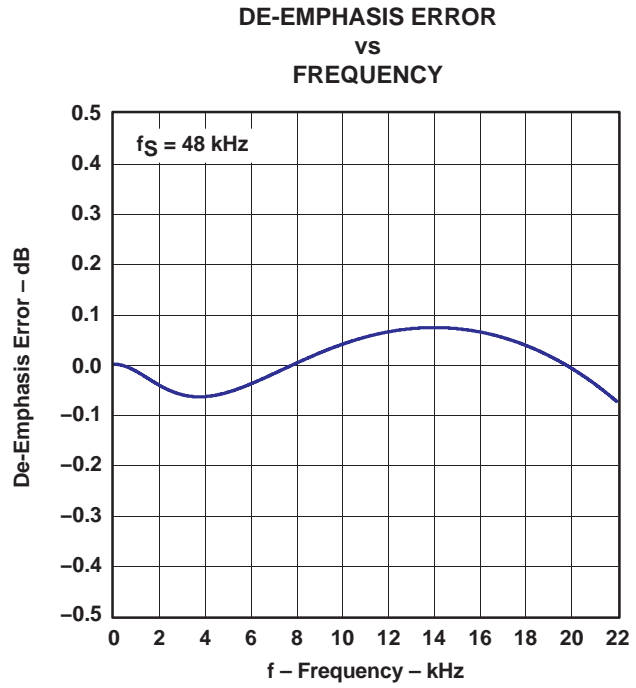


Figure 10

## ANALOG DYNAMIC PERFORMANCE

### Supply Voltage Characteristics

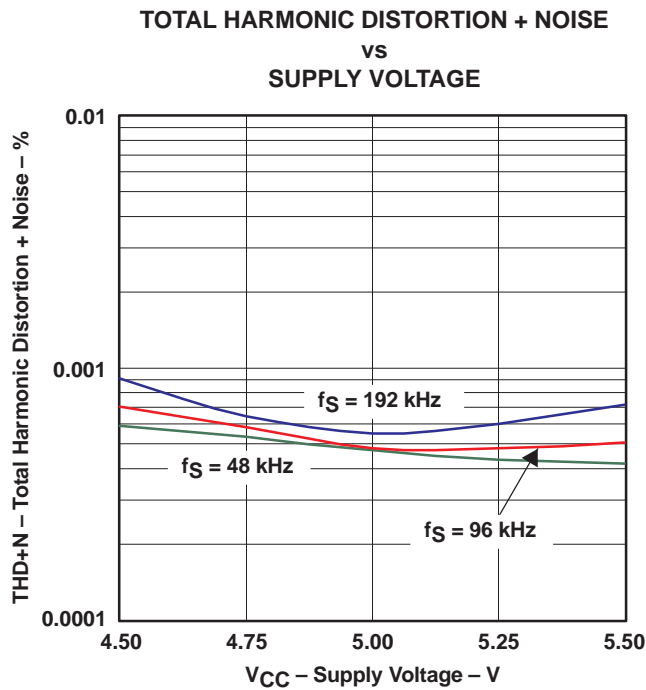


Figure 11

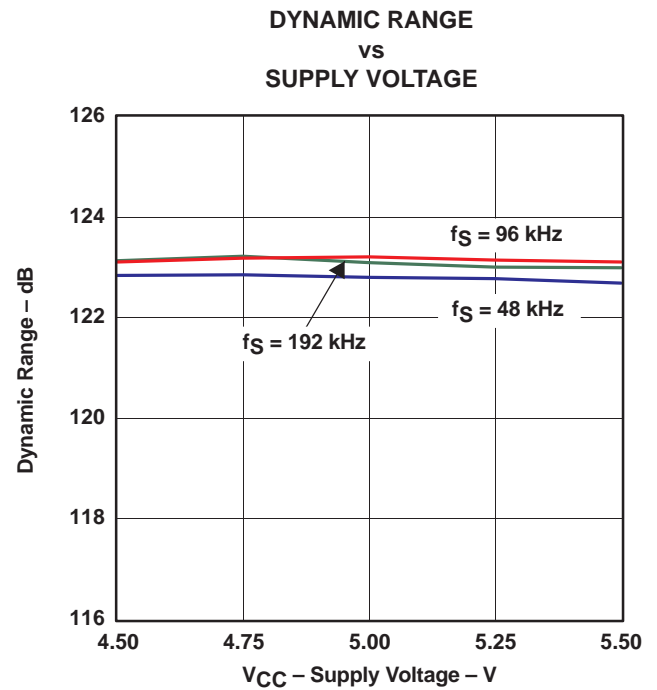


Figure 12

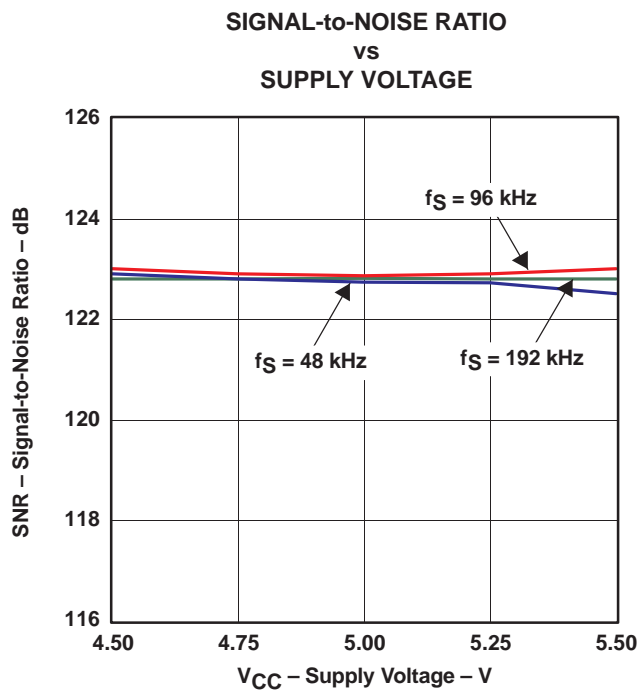


Figure 13

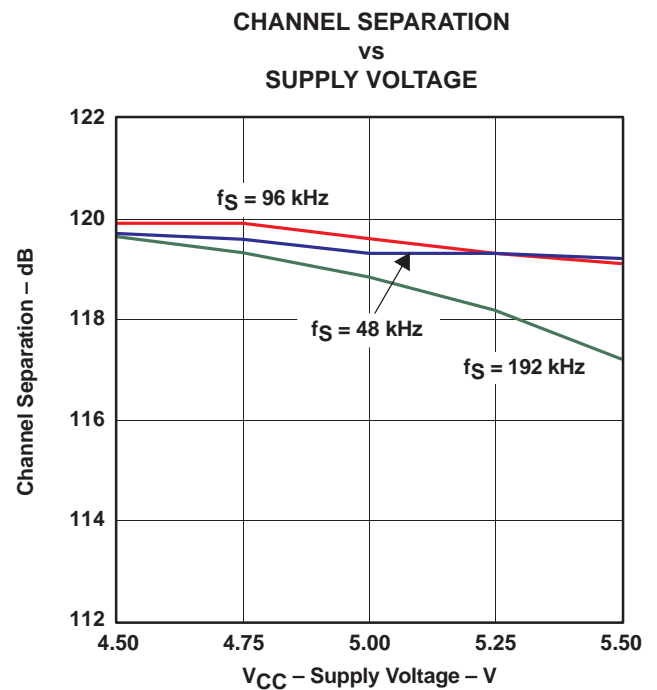


Figure 14

NOTE: PCM mode,  $T_A = 25^\circ\text{C}$ ,  $V_{DD} = 3.3$  V, measurement circuit is Figure 32.

Temperature Characteristics

TOTAL HARMONIC DISTORTION + NOISE  
vs  
FREE-AIR TEMPERATURE

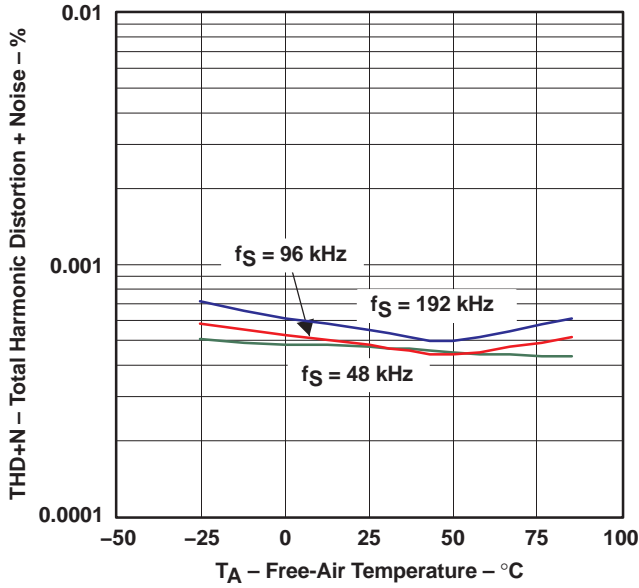


Figure 15

DYNAMIC RANGE  
vs  
FREE-AIR TEMPERATURE

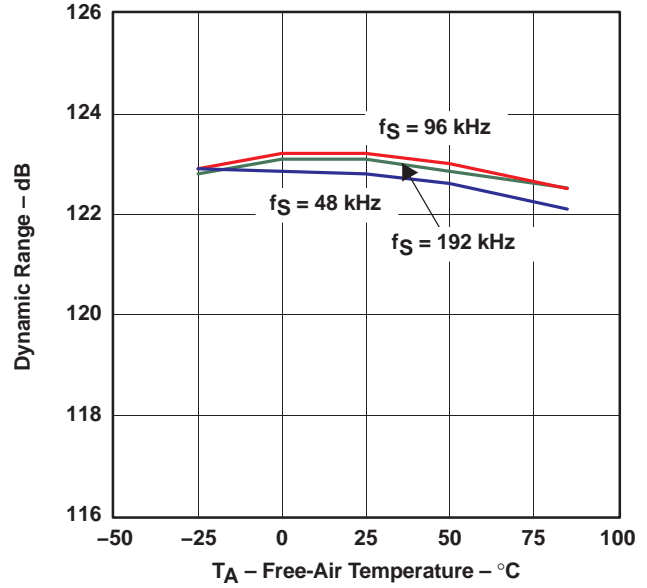


Figure 16

SIGNAL-to-NOISE RATIO  
vs  
FREE-AIR TEMPERATURE

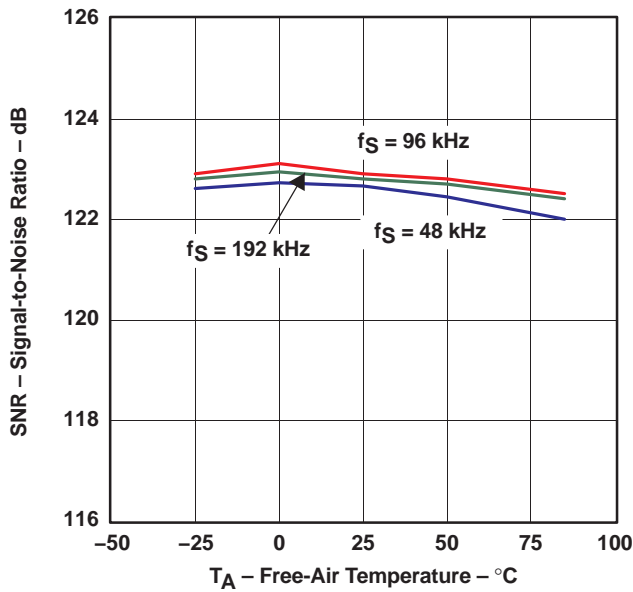


Figure 17

CHANNEL SEPARATION  
vs  
FREE-AIR TEMPERATURE

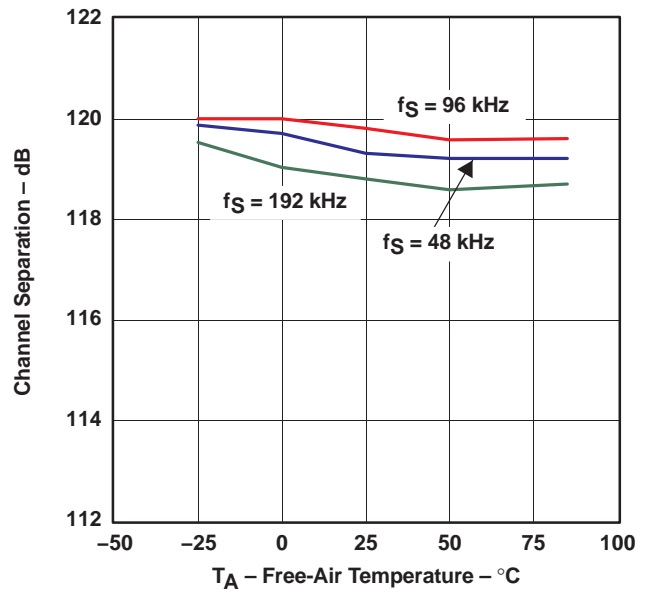
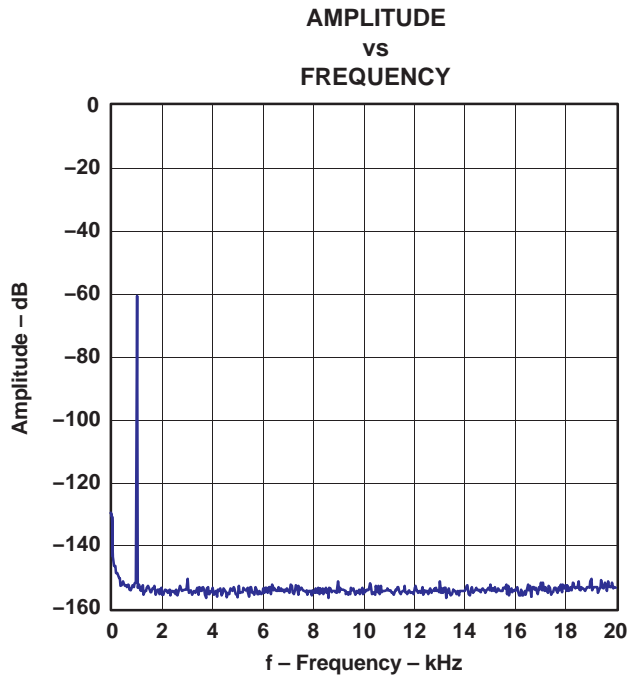


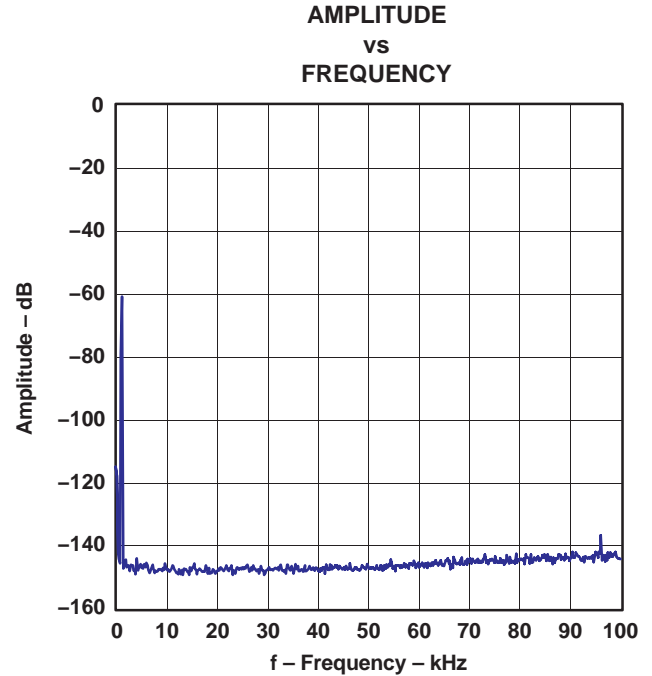
Figure 18

NOTE: PCM mode, V<sub>CC</sub> = 5 V, V<sub>DD</sub> = 3.3 V, measurement circuit is Figure 32.



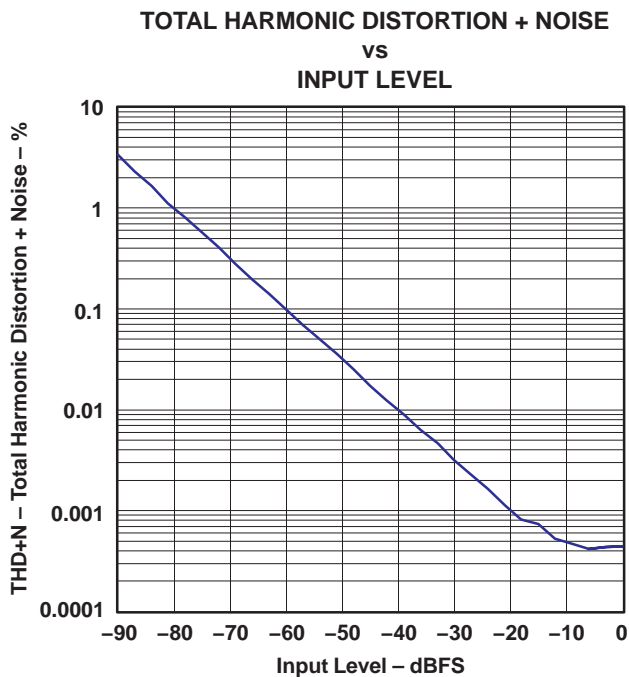
NOTE: PCM mode,  $f_S = 48$  kHz, 32768 point 8 average,  $T_A = 25^\circ\text{C}$ ,  $V_{DD} = 3.3$  V,  $V_{CC} = 5$  V, measurement circuit is Figure 32.

Figure 19. -60-dB Output Spectrum, BW = 20 kHz



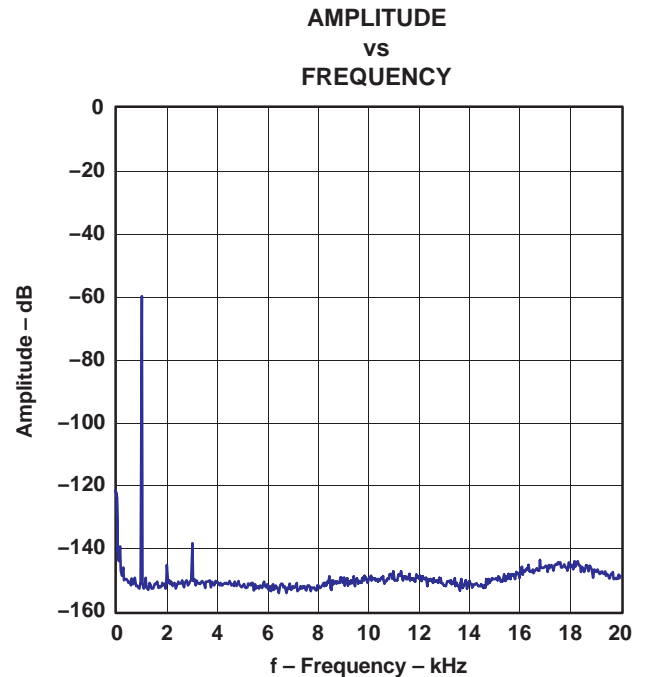
NOTE: PCM mode,  $f_S = 96$  kHz, 32768 point 8 average,  $T_A = 25^\circ\text{C}$ ,  $V_{DD} = 3.3$  V,  $V_{CC} = 5$  V, measurement circuit is Figure 32.

Figure 20. -60-dB Output Spectrum, BW = 100 kHz



NOTE: PCM mode,  $f_S = 48$  kHz,  $T_A = 25^\circ\text{C}$ ,  $V_{DD} = 3.3$  V,  $V_{CC} = 5$  V, measurement circuit is Figure 32.

Figure 21. THD+N vs Input Level, PCM Mode



NOTE: DSD mode (FIR-2), 32768 point 8 average,  $T_A = 25^\circ\text{C}$ ,  $V_{DD} = 3.3$  V,  $V_{CC} = 5$  V, measurement circuit is Figure 33.

Figure 22. -60-dB Output Spectrum, DSD Mode

## SYSTEM CLOCK AND RESET FUNCTIONS

### System Clock Input

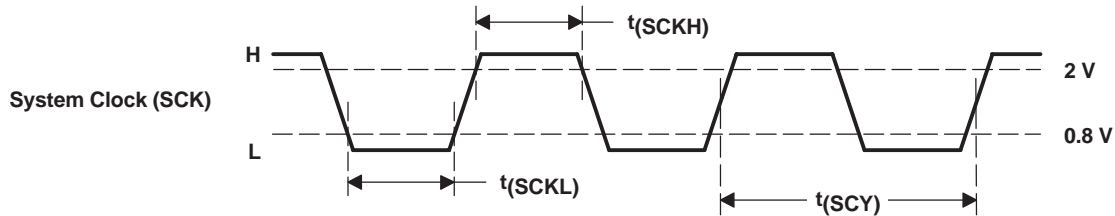
The DSD1796 requires a system clock for operating the digital interpolation filters and advanced segment DAC modulators. The system clock is applied at the SCK input (pin 7). The DSD1796 has a system clock detection circuit that automatically senses the frequency at which the system clock is operating. Table 1 shows examples of system clock frequencies for common audio sampling rates. If the oversampling rate of the delta-sigma modulator is selected as 128  $f_s$ , the system clock frequency is required to be over 256  $f_s$ .

Figure 23 shows the timing requirements for the system clock input. For optimal performance, it is important to use a clock source with low phase jitter and noise. One of the Texas Instruments PLL1700 family of multiclock generators is an excellent choice for providing the DSD1796 system clock.

**Table 1. System Clock Rates for Common Audio Sampling Frequencies**

| SAMPLING FREQUENCY | SYSTEM CLOCK FREQUENCY ( $f_{SCK}$ ) (MHz) |           |           |           |           |           |
|--------------------|--|-----------|-----------|-----------|-----------|-----------|
|                    | 128 $f_s$                                  | 192 $f_s$ | 256 $f_s$ | 384 $f_s$ | 512 $f_s$ | 768 $f_s$ |
| 32 kHz             | 4.096                                      | 6.144     | 8.192     | 12.288    | 16.384    | 24.576    |
| 44.1 kHz           | 5.6488                                     | 8.4672    | 11.2896   | 16.9344   | 22.5792   | 33.8688   |
| 48 kHz             | 6.144                                      | 9.216     | 12.288    | 18.432    | 24.576    | 36.864    |
| 96 kHz             | 12.288                                     | 18.432    | 24.576    | 36.864    | 49.152    | 73.728    |
| 192 kHz            | 24.576                                     | 36.864    | 49.152    | 73.728    | -(1)      | -(1)      |

(1) This system clock rate is not supported for the given sampling frequency.



| PARAMETERS   |                                   | MIN             | MAX | UNITS |
|--------------|-----------------------------------|-----------------|-----|-------|
| $t_{(SCY)}$  | System clock pulse cycle time     | 13              |     | ns    |
| $t_{(SCKH)}$ | System clock pulse duration, HIGH | 0.4 $t_{(SCY)}$ |     | ns    |
| $t_{(SCKL)}$ | System clock pulse duration, LOW  | 0.4 $t_{(SCY)}$ |     | ns    |

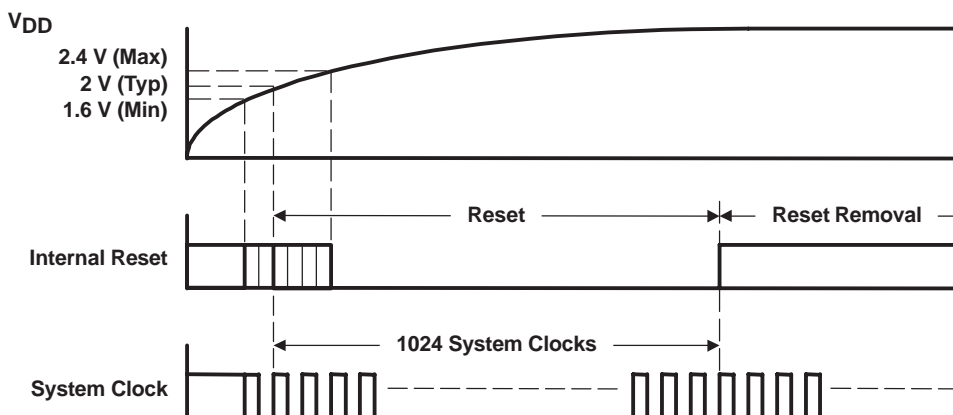
**Figure 23. System Clock Input Timing**

## Power-On and External Reset Functions

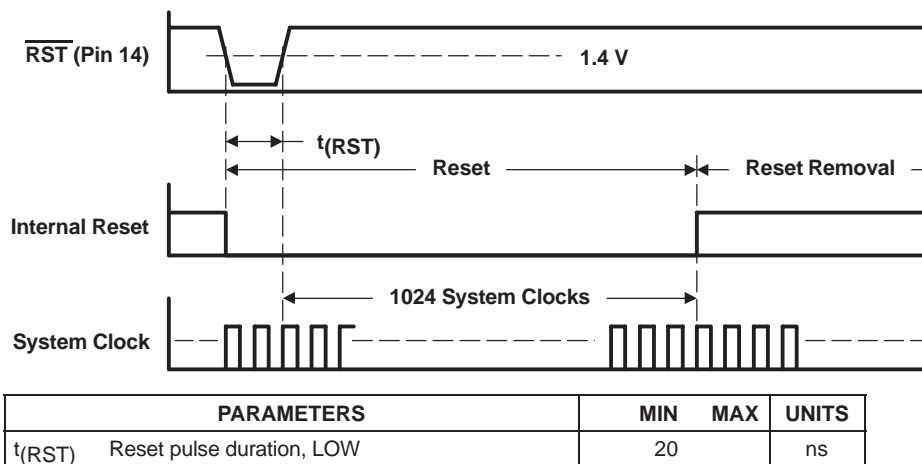
The DSD1796 includes a power-on reset function. Figure 24 shows the operation of this function. With  $V_{DD} > 2\text{ V}$ , the power-on reset function is enabled. The initialization sequence requires 1024 system clocks from the time  $V_{DD} > 2\text{ V}$ . After the initialization period, the DSD1796 is set to its default reset state, as described in the *MODE CONTROL REGISTERS* section of this data sheet.

The DSD1796 also includes an external reset capability using the  $\overline{\text{RST}}$  input (pin 14). This allows an external controller or master reset circuit to force the DSD1796 to initialize to its default reset state.

Figure 25 shows the external reset operation and timing. The  $\overline{\text{RST}}$  pin is set to logic 0 for a minimum of 20 ns. The  $\overline{\text{RST}}$  pin is then set to a logic 1 state, thus starting the initialization sequence, which requires 1024 system clock periods. The external reset is especially useful in applications where there is a delay between the DSD1796 power up and system clock activation.



**Figure 24. Power-On Reset Timing**



**Figure 25. External Reset Timing**

## AUDIO DATA INTERFACE

### Audio Serial Interface

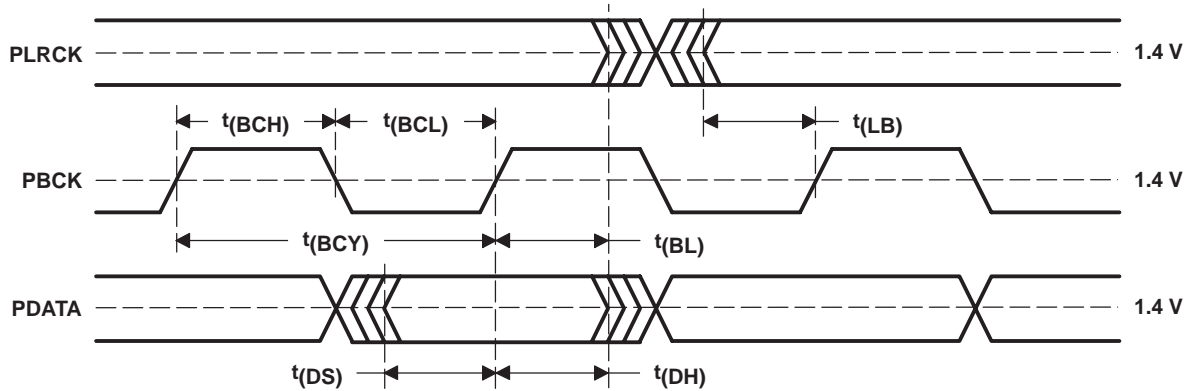
The audio interface port is a 3-wire serial port. It includes PLRCK (pin 4), PBCK (pin 6), and PDATA (pin 5). PBCK is the serial audio bit clock, and it is used to clock the serial data present on PDATA into the serial shift register of the audio interface. Serial data is clocked into the DSD1796 on the rising edge of PBCK. PLRCK is the serial audio left/right word clock.

The DSD1796 requires the synchronization of PLRCK and the system clock, but does not need a specific phase relation between PLRCK and the system clock.

If the relationship between PLRCK and the system clock changes more than  $\pm 6$  PBCK, internal operation is initialized within  $1/f_S$  and analog outputs are forced to the bipolar zero level until resynchronization between PLRCK and the system clock is completed.

### PCM Audio Data Formats and Timing

The DSD1796 supports industry-standard audio data formats, including standard right-justified, I<sup>2</sup>S, and left-justified. The data formats are shown in Figure 27. Data formats are selected using the format bits, FMT[2:0], in control register 18. The default data format is 24-bit I<sup>2</sup>S. All formats require binary 2s complement, MSB-first audio data. Figure 26 shows a detailed timing diagram for the serial audio interface.

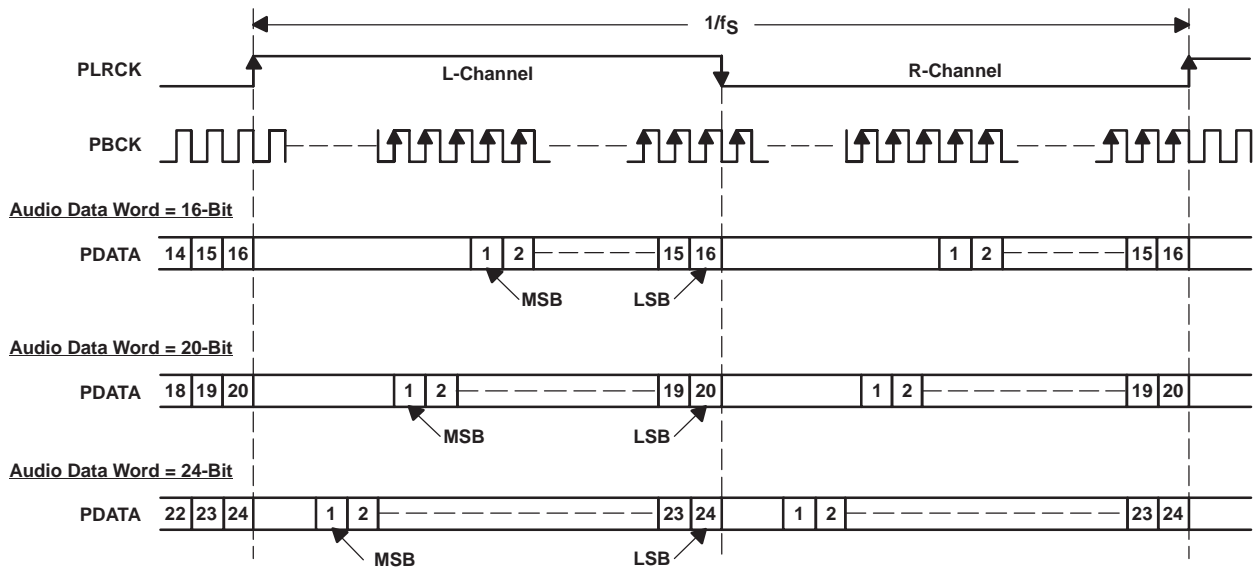


| PARAMETERS |                                | MIN                    | MAX | UNITS |
|------------|--------------------------------|------------------------|-----|-------|
| t(BCY)     | PBCK pulse cycle time          | 70                     |     | ns    |
| t(BCL)     | PBCK pulse duration, LOW       | 30                     |     | ns    |
| t(BCH)     | PBCK pulse duration, HIGH      | 30                     |     | ns    |
| t(BL)      | PBCK rising edge to PLRCK edge | 10                     |     | ns    |
| t(LB)      | PLRCK edge to PBCK rising edge | 10                     |     | ns    |
| t(DS)      | PDATA setup time               | 10                     |     | ns    |
| t(DH)      | PDATA hold time                | 10                     |     | ns    |
| —          | PLRCK clock data               | 50% $\pm$ 2 bit clocks |     |       |

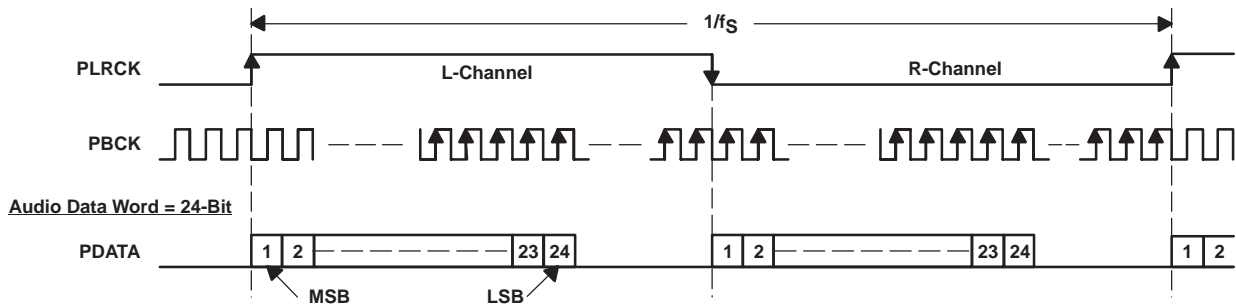
Figure 26. Timing of Audio Interface



**(1) Standard Data Format (Right-Justified); L-Channel = HIGH, R-Channel = LOW**



**(2) Left-Justified Data Format; L-Channel = HIGH, R-Channel = LOW**



**(3) I<sup>2</sup>S Data Format; L-Channel = LOW, R-Channel = HIGH**

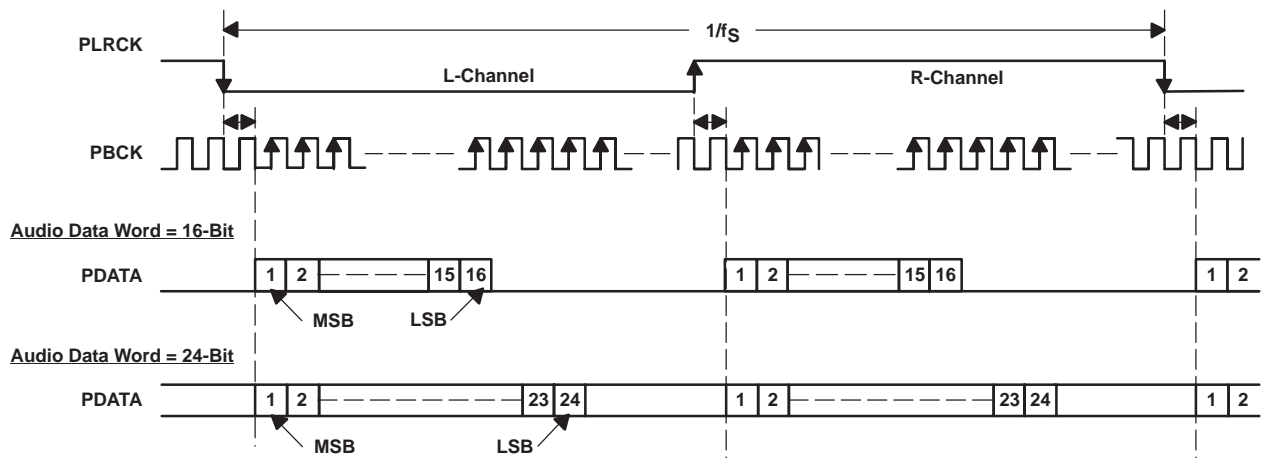


Figure 27. Audio Data Input Formats

## **External Digital Filter Interface and Timing**

The DSD1796 supports an external digital filter interface comprising a 3- or 4-wire synchronous serial port, which allows the use of an external digital filter. External filters include the Texas Instruments DF1704 and DF1706, the Pacific Microsonics PMD200, or a programmable digital signal processor.

In the external DF mode, PLRCK (pin 4), PBCK (pin 6) and PDATA (pin 5) are defined as WDCK, the word clock; BCK, the bit clock; and DATA, the monaural data, respectively. The external digital filter interface is selected by using the DFTH bit of control register 20, which functions to bypass the internal digital filter of the DSD1796.

When the DFMS bit of control register 19 is set, the DSD1796 can process stereo data. In this case, DSDL (pin 1) and DSDR (pin 2) are defined as L-channel data and R-channel data input, respectively.

Detailed information for the external digital filter interface mode is provided in the *APPLICATION FOR EXTERNAL DIGITAL FILTER INTERFACE* section of this data sheet.

## **Direct Stream Digital (DSD) Format Interface and Timing**

The DSD1796 supports the DSD format interface operation, which includes out-of-band noise filtering using an internal analog FIR filter. The DSD format interface consists of a 3-wire synchronous serial port, which includes DBCK (pin 3), DSDL (pin 1), and DSDR (pin 2). DBCK is the serial bit clock. DSDL and DSDR are the L-channel and R-channel DSD data input, respectively. They are clocked into the DSD1796 on the rising edge of DBCK. PLRCK (pin 4) and PBCK (pin 6) must be connected to GND in the DSD mode. The DSD format (DSD mode) interface is activated by setting the DSD bit of control register 20.

Detailed information for the DSD mode is provided in the *APPLICATION FOR DSD FORMAT (DSD MODE) INTERFACE* section of this data sheet.

## **TDMCA Interface**

The DSD1796 supports the time-division-multiplexed command and audio (TDMCA) data format to enable control of and communication with a number of external devices over a single serial interface.

Detailed information for the TDMCA format is provided in the *TDMCA INTERFACE FORMAT* section of this data sheet.

## SERIAL CONTROL INTERFACE

The serial control interface is a 4-wire synchronous serial port, which operates asynchronously with the serial audio interface and the system clock (SCK). The serial control interface is used to program and read the on-chip mode registers. The control interface includes MDO (pin 13), MDI (pin 11), MC (pin 12), and  $\overline{MS}$  (pin 10). MDO is the serial data output, used to read back the values of the mode registers; MDI is the serial data input, used to program the mode registers; MC is the serial bit clock, used to shift data in and out of the control port; and  $\overline{MS}$  is the mode control enable, used to enable the internal mode register access.

### Register Read/Write Operation

All read/write operations for the serial control port use 16-bit data words. Figure 28 shows the control data word format. The most significant bit is the read/write (R/W) bit. For write operations, the R/W bit must be set to 0. For read operations, the R/W bit must be set to 1. There are seven bits, labeled IDX[6:0], that hold the register index (or address) for the read and write operations. The least significant eight bits, D[7:0], contain the data to be written to, or the data that was read from, the register specified by IDX[6:0].

Figure 29 shows the functional timing diagram for writing or reading the serial control port.  $\overline{MS}$  is held at a logic 1 state until a register needs to be written or read. To start the register write or read cycle,  $\overline{MS}$  is set to logic 0. Sixteen clocks are then provided on MC, corresponding to the 16 bits of the control data word on MDI and readback data on MDO. After the eighth clock cycle has completed, the data from the indexed-mode control register appears on MDO during the read operation. After the sixteenth clock cycle has completed, the data is latched into the indexed-mode control register during the write operation. To write or read subsequent data,  $\overline{MS}$  must be set to 1 once.

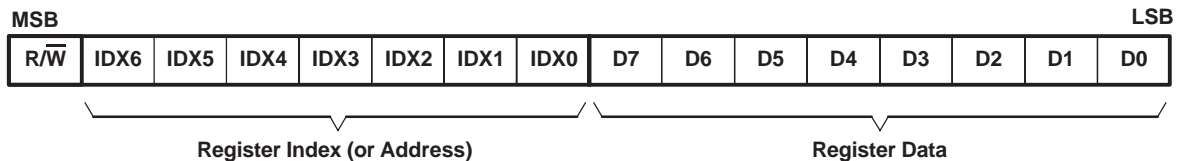
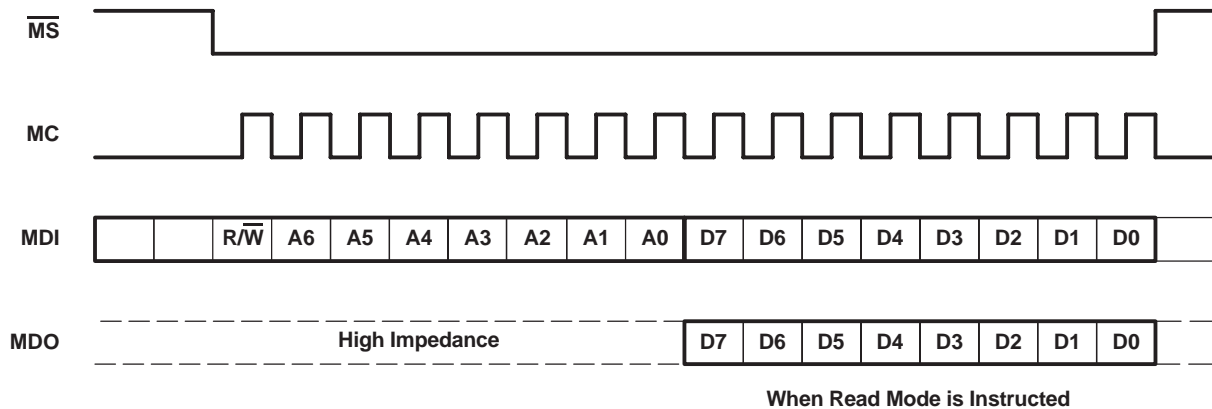
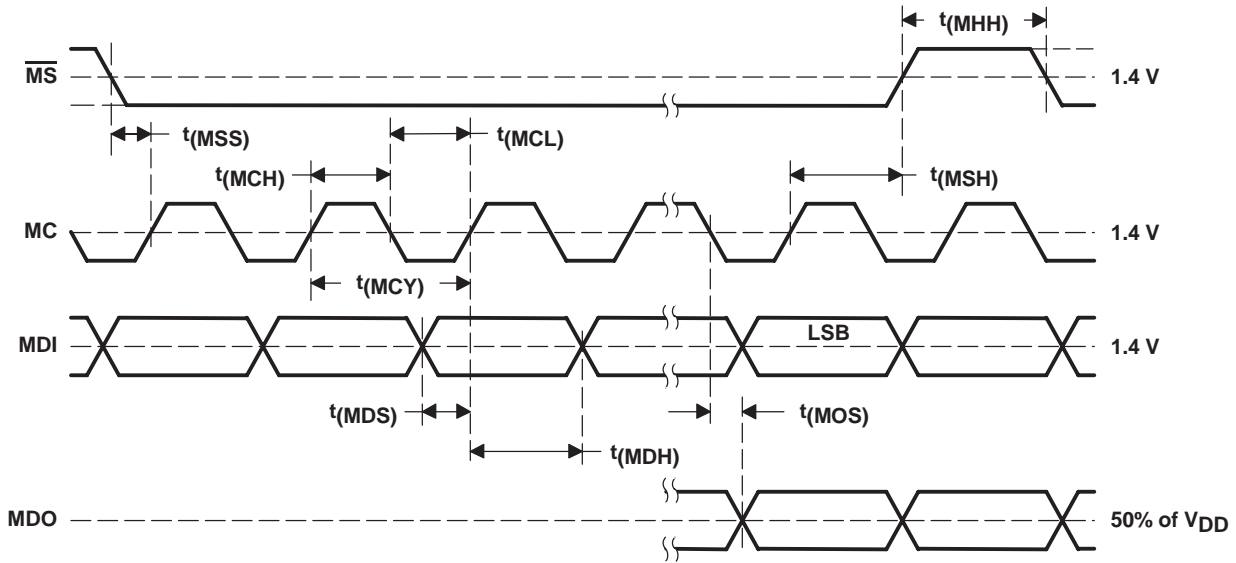


Figure 28. Control Data Word Format for MDI



NOTE: Bit 15 is used for selection of write or read. Setting  $R/W = 0$  indicates a write, while  $R/W = 1$  indicates a read. Bits 14–8 are used for the register address. Bits 7–0 are used for register data.

Figure 29. Serial Control Format



| PARAMETER   | MIN | MAX | UNITS |
|---|-----|-----|-------|
| $t(MCY)$ MC pulse cycle time                            | 100 |     | ns    |
| $t(MCL)$ MC low-level time                              | 40  |     | ns    |
| $t(MCH)$ MC high-level time                             | 40  |     | ns    |
| $t(MHH)$ $\overline{MS}$ high-level time                | 80  |     | ns    |
| $t(MSS)$ $\overline{MS}$ falling edge to MC rising edge | 15  |     | ns    |
| $t(MSH)$ $\overline{MS}$ hold time <sup>(1)</sup>       | 15  |     | ns    |
| $t(MDH)$ MDI hold time                                  | 15  |     | ns    |
| $t(MDS)$ MDI setup time                                 | 15  |     | ns    |
| $t(MOS)$ MC falling edge to MDO stable                  |     | 30  | ns    |

<sup>(1)</sup> MC rising edge for LSB to MS rising edge

Figure 30. Control Interface Timing

## MODE CONTROL REGISTERS

### User-Programmable Mode Controls

The DSD1796 includes a number of user-programmable functions which are accessed via mode control registers. The registers are programmed using the serial control interface, which is previously described in the *SERIAL CONTROL INTERFACE* section of this data sheet. Table 2 lists the available mode control functions, along with their default reset conditions and associated register index.

**Table 2. User-Programmable Function Controls**

| FUNCTION  | DEFAULT                           | REGISTER                   | BIT  | PCM | DSD                | DF BYPASS |
|---|-----------------------------------|----------------------------|--|-----|--------------------|-----------|
| Digital attenuation control<br>0 dB to –120 dB and mute, 0.5 dB step  | 0 dB                              | Register 16<br>Register 17 | ATL[7:0] (for L-ch)<br>ATR[7:0] (for R-ch) | yes |                    |           |
| Attenuation load control—Disabled, enabled  | Attenuation disabled              | Register 18                | ATLD                                       | yes |                    |           |
| Input audio data format selection<br>16-, 20-, 24-bit standard (right-justified) format<br>24-bit MSB-first left-justified format<br>16-/24-bit I <sup>2</sup> S format | 24-bit I <sup>2</sup> S format    | Register 18                | FMT[2:0]                                   | yes |                    | yes       |
| Sampling rate selection for de-emphasis<br>Disabled, 44.1 kHz, 48 kHz, 32 kHz   | De-emphasis disabled              | Register 18                | DMF[1:0]                                   | yes | yes <sup>(1)</sup> |           |
| De-emphasis control—Disabled, enabled   | De-emphasis disabled              | Register 18                | DME  | yes |                    |           |
| Soft mute control—Mute disabled, enabled  | Mute disabled                     | Register 18                | MUTE                                       | yes |                    |           |
| Output phase reversal—Normal, reverse   | Normal                            | Register 19                | REV  | yes | yes                | yes       |
| Attenuation speed selection<br>$\times 1 f_S$ , $\times (1/2)f_S$ , $\times (1/4)f_S$ , $\times (1/8)f_S$   | $\times 1 f_S$                    | Register 19                | ATS[1:0]                                   | yes |                    |           |
| DAC operation control—Enabled, disabled   | DAC operation enabled             | Register 19                | OPE  | yes | yes                | yes       |
| Zero flag pin operation control<br>DSD data input, zero flag output   | DSD data input                    | Register 19                | ZOE  | yes |                    | yes       |
| Stereo DF bypass mode select<br>Monaural, stereo  | Monaural                          | Register 19                | DFMS                                       |     |                    | yes       |
| Digital filter rolloff selection<br>Sharp rolloff, slow rolloff   | Sharp rolloff                     | Register 19                | FLT  | yes |                    |           |
| Infinite zero mute control<br>Disabled, enabled   | Disabled                          | Register 19                | INZD                                       | yes |                    | yes       |
| System reset control<br>Reset operation , normal operation  | Normal operation                  | Register 20                | SRST                                       | yes | yes                | yes       |
| DSD interface mode control<br>DSD enabled, disabled   | Disabled                          | Register 20                | DSD  | yes | yes                |           |
| Digital-filter bypass control<br>DF enabled, DF bypass  | DF enabled                        | Register 20                | DFTH                                       | yes |                    | yes       |
| Monaural mode selection<br>Stereo, monaural   | Stereo                            | Register 20                | MONO                                       | yes | yes                | yes       |
| Channel selection for monaural mode data<br>L-channel, R-channel  | L-channel                         | Register 20                | CHSL                                       | yes | yes                | yes       |
| Delta-sigma oversampling rate selection<br>$\times 64 f_S$ , $\times 128 f_S$ , $\times 32 f_S$   | $\times 64 f_S$                   | Register 20                | OS[1:0]                                    | yes | yes <sup>(2)</sup> | yes       |
| PCM zero output enable  | Enabled                           | Register 21                | PCMZ                                       | yes |                    | yes       |
| DSD zero output enable  | Disabled                          | Register 21                | DZ[1:0]                                    |     | yes                |           |
| <b>FUNCTION AVAILABLE ONLY FOR READ</b>   |                                   |                            |  |     |                    |           |
| Zero detection flag<br>Not zero, zero detected  | Not zero = 0<br>Zero detected = 1 | Register 22                | ZFGL (for L-ch)<br>ZFGR (for R-ch)         | yes | yes                | yes       |
| Device ID (at TDMCA)  | –                                 | Register 23                | ID[4:0]                                    | yes |                    |           |

(1) When in DSD mode, DMF[1:0] is defined as DSD filter (analog FIR) performance selection.

(2) When in DSD mode, OS[1:0] is defined as DSD filter (analog FIR) operation rate selection.

## Register Map

The mode control register map is shown in Table 3. Registers 16–21 include an  $R/\overline{W}$  bit, which determines whether a register read ( $R/\overline{W} = 1$ ) or write ( $R/\overline{W} = 0$ ) operation is performed. Registers 22 and 23 are read-only.

**Table 3. Mode Control Register Map**

|             | B15              | B14 | B13 | B12 | B11 | B10 | B9 | B8 | B7   | B6   | B5   | B4   | B3   | B2   | B1   | B0   |
|-------------|------------------|-----|-----|-----|-----|-----|----|----|------|------|------|------|------|------|------|------|
| Register 16 | $R/\overline{W}$ | 0   | 0   | 1   | 0   | 0   | 0  | 0  | ATL7 | ATL6 | ATL5 | ATL4 | ATL3 | ATL2 | ATL1 | ATL0 |
| Register 17 | $R/\overline{W}$ | 0   | 0   | 1   | 0   | 0   | 0  | 1  | ATR7 | ATR6 | ATR5 | ATR4 | ATR3 | ATR2 | ATR1 | ATR0 |
| Register 18 | $R/\overline{W}$ | 0   | 0   | 1   | 0   | 0   | 1  | 0  | ATLD | FMT2 | FMT1 | FMT0 | DMF1 | DMF0 | DME  | MUTE |
| Register 19 | $R/\overline{W}$ | 0   | 0   | 1   | 0   | 0   | 1  | 1  | REV  | ATS1 | ATS0 | OPE  | ZOE  | DFMS | FLT  | INZD |
| Register 20 | $R/\overline{W}$ | 0   | 0   | 1   | 0   | 1   | 0  | 0  | RSV  | SRST | DSD  | DFTH | MONO | CHSL | OS1  | OS0  |
| Register 21 | $R/\overline{W}$ | 0   | 0   | 1   | 0   | 1   | 0  | 1  | RSV  | RSV  | RSV  | RSV  | RSV  | DZ1  | DZ0  | PCMZ |
| Register 22 | R                | 0   | 0   | 1   | 0   | 1   | 1  | 0  | RSV  | RSV  | RSV  | RSV  | RSV  | RSV  | ZFGR | ZFGL |
| Register 23 | R                | 0   | 0   | 1   | 0   | 1   | 1  | 1  | RSV  | RSV  | RSV  | ID4  | ID3  | ID2  | ID1  | ID0  |

## Register Definitions

|             | B15              | B14 | B13 | B12 | B11 | B10 | B9 | B8 | B7   | B6   | B5   | B4   | B3   | B2   | B1   | B0   |
|-------------|------------------|-----|-----|-----|-----|-----|----|----|------|------|------|------|------|------|------|------|
| Register 16 | $R/\overline{W}$ | 0   | 0   | 1   | 0   | 0   | 0  | 0  | ATL7 | ATL6 | ATL5 | ATL4 | ATL3 | ATL2 | ATL1 | ATL0 |
| Register 17 | $R/\overline{W}$ | 0   | 0   | 1   | 0   | 0   | 0  | 1  | ATR7 | ATR6 | ATR5 | ATR4 | ATR3 | ATR2 | ATR1 | ATR0 |

### $R/\overline{W}$ : Read/Write Mode Select

When  $R/\overline{W} = 0$ , a write operation is performed.

When  $R/\overline{W} = 1$ , a read operation is performed.

Default value: 0

### ATx[7:0]: Digital Attenuation Level Setting

These bits are available for read and write.

Default value: 1111 1111b

Each DAC output has a digital attenuator associated with it. The attenuator can be set from 0 dB to –120 dB, in 0.5-dB steps. Alternatively, the attenuator can be set to infinite attenuation (or mute).

The attenuation data for each channel can be set individually. However, the data load control (the ATLD bit of control register 18) is common to both attenuators. ATLD must be set to 1 in order to change an attenuator setting. The attenuation level can be set using the following formula:

$$\text{Attenuation level (dB)} = 0.5 \text{ dB} \cdot (\text{ATx}[7:0]_{\text{DEC}} - 255)$$

where  $\text{ATx}[7:0]_{\text{DEC}} = 0$  through 255

For  $\text{ATx}[7:0]_{\text{DEC}} = 0$  through 14, the attenuator is set to infinite attenuation. The following table shows attenuation levels for various settings:

| ATx[7:0]   | Decimal Value | Attenuation Level Setting      |
|------------|---------------|--------------------------------|
| 1111 1111b | 255           | 0 dB, no attenuation (default) |
| 1111 1110b | 254           | –0.5 dB                        |
| 1111 1101b | 253           | –1.0 dB                        |
| ⋮          | ⋮             | ⋮                              |
| 0001 0000b | 16            | –119.5 dB                      |
| 0000 1111b | 15            | –120.0 dB                      |
| 0000 1110b | 14            | Mute                           |
| ⋮          | ⋮             | ⋮                              |
| 0000 0000b | 0             | Mute                           |

|             |                   |            |            |            |            |            |           |           |           |           |           |           |           |           |           |           |
|-------------|-------------------|------------|------------|------------|------------|------------|-----------|-----------|-----------|-----------|-----------|-----------|-----------|-----------|-----------|-----------|
|             | <b>B15</b>        | <b>B14</b> | <b>B13</b> | <b>B12</b> | <b>B11</b> | <b>B10</b> | <b>B9</b> | <b>B8</b> | <b>B7</b> | <b>B6</b> | <b>B5</b> | <b>B4</b> | <b>B3</b> | <b>B2</b> | <b>B1</b> | <b>B0</b> |
| Register 18 | R/ $\overline{W}$ | 0          | 0          | 1          | 0          | 0          | 1         | 0         | ATLD      | FMT2      | FMT1      | FMT0      | DMF1      | DMF0      | DME       | MUTE      |

**R/ $\overline{W}$ : Read/Write Mode Select**

When R/ $\overline{W}$  = 0, a write operation is performed.

When R/ $\overline{W}$  = 1, a read operation is performed.

Default value: 0

**ATLD: Attenuation Load Control**

This bit is available for read and write.

Default value: 0

|          |  |
|----------|--|
| ATLD = 0 | Attenuation control disabled (default) |
| ATLD = 1 | Attenuation control enabled            |

The ATLD bit is used to enable loading of the attenuation data contained in registers 16 and 17. When ATLD = 0, the attenuation settings remain at the previously programmed levels, ignoring new data loaded from registers 16 and 17. When ATLD = 1, attenuation data written to registers 16 and 17 is loaded normally.

**FMT[2:0]: Audio Interface Data Format**

These bits are available for read and write.

Default value: 101

| <b>FMT[2:0]</b> | <b>Audio Data Format Selection</b>            |
|-----------------|---|
| 000             | 16-bit standard format, right-justified data  |
| 001             | 20-bit standard format, right-justified data  |
| 010             | 24-bit standard format, right-justified data  |
| 011             | 24-bit MSB-first, left-justified format data  |
| 100             | 16-bit I <sup>2</sup> S-format data           |
| 101             | 24-bit I <sup>2</sup> S-format data (default) |
| 110             | Reserved                                      |
| 111             | Reserved                                      |

The FMT[2:0] bits are used to select the data format for the serial audio interface.

For the external digital filter interface mode (DFTH mode), this register is operated as shown in the *APPLICATION FOR EXTERNAL DIGITAL FILTER INTERFACE* section of this data sheet.

**DMF[1:0]: Sampling Frequency Selection for the De-Emphasis Function**

These bits are available for read and write.

Default value: 00

| <b>DMF[1:0]</b> | <b>De-Emphasis Sampling Frequency Selection</b> |
|-----------------|---|
| 00              | Disabled (default)                              |
| 01              | 48 kHz  |
| 10              | 44.1 kHz  |
| 11              | 32 kHz  |

The DMF[1:0] bits are used to select the sampling frequency used by the digital de-emphasis function when it is enabled by setting the DME bit. The de-emphasis curves are shown in the *TYPICAL PERFORMANCE CURVES* section of this data sheet.

For the DSD mode, analog FIR filter performance can be selected using this register. A register map and filter response plots are shown in the *APPLICATION FOR DSD FORMAT (DSD MODE) INTERFACE* section of this data sheet.

**DME: Digital De-Emphasis Control**

This bit is available for read and write.

Default value: 0

|         |                                |
|---------|--------------------------------|
| DME = 0 | De-emphasis disabled (default) |
| DME = 1 | De-emphasis enabled            |

The DME bit is used to enable or disable the de-emphasis function for both channels.

**MUTE: Soft Mute Control**

This bit is available for read and write.

Default value: 0

|          |                         |
|----------|-------------------------|
| MUTE = 0 | Mute disabled (default) |
| MUTE = 1 | Mute enabled            |

The MUTE bit is used to enable or disable the soft mute function for both channels.

Soft mute is operated as a 256-step attenuator. The speed for each step to  $-\infty$  dB (mute) is determined by the attenuation rate selected in the ATS register.

|             | B15 | B14 | B13 | B12 | B11 | B10 | B9 | B8 | B7  | B6   | B5   | B4  | B3  | B2   | B1  | B0   |
|-------------|-----|-----|-----|-----|-----|-----|----|----|-----|------|------|-----|-----|------|-----|------|
| Register 19 | R/W | 0   | 0   | 1   | 0   | 0   | 1  | 1  | REV | ATS1 | ATS0 | OPE | ZOE | DFMS | FLT | INZD |

**R/W: Read/Write Mode Select**

When  $R/\overline{W} = 0$ , a write operation is performed.

When  $R/\overline{W} = 1$ , a read operation is performed.

Default value: 0

**REV: Output Phase Reversal**

This bit is available for read and write.

Default value: 0

|         |                         |
|---------|-------------------------|
| REV = 0 | Normal output (default) |
| REV = 1 | Inverted output         |

The REV bit is used to invert the output phase for both channels.

**ATS[1:0]: Attenuation Rate Select**

These bits are available for read and write.

Default value: 00

| ATS[1:0] | Attenuation Rate Selection |
|----------|----------------------------|
| 00       | Every PLRCK (default)      |
| 01       | PLRCK/2                    |
| 10       | PLRCK/4                    |
| 11       | PLRCK/8                    |

The ATS[1:0] bits are used to select the rate at which the attenuator is decremented/incremented during level transitions.



**OPE: DAC Operation Control**

This bit is available for read and write.

Default value: 0

|         |                                 |
|---------|---------------------------------|
| OPE = 0 | DAC operation enabled (default) |
| OPE = 1 | DAC operation disabled          |

The OPE bit is used to enable or disable the analog output for both channels. Disabling the analog outputs forces them to the bipolar zero level (BPZ) even if digital audio data is present on the input.

**ZOE: Zero Flag Pin Operation Control**

This bit is available for read and write.

Default value: 0

|         |                          |
|---------|--------------------------|
| ZOE = 0 | DSD data input (default) |
| ZOE = 1 | Zero flag output         |

The ZOE bit is used to change the DSDL (pin 1) and DSDR (pin 2) pin assignments. When the ZOE bit is set to 0, DSDL and DSDR are inputs for L-channel and R-channel data. When the ZOE bit is set to 1, DSDL and DSDR become outputs for the L-channel and R-channel zero flags, respectively. See the PCMZ and DZ[1:0] bit descriptions of register 21.

**DFMS: Stereo DF Bypass Mode Select**

This bit is available for read and write.

Default value: 0

|          |                      |
|----------|----------------------|
| DFMS = 0 | Monaural (default)   |
| DFMS = 1 | Stereo input enabled |

The DFMS bit is used to enable stereo operation in the DF bypass mode. In the DF bypass mode, when DFMS is set to 0, the pin for the input data is PDATA (pin 5) only, therefore the DSD1796 operates as a monaural DAC. When DFMS is set to 1, the DSD1796 can operate as a stereo DAC with inputs of input L-channel and R-channel data on DSDL (pin 1) and DSDR (pin 2), respectively.

**FLT: Digital Filter Rolloff Control**

This bit is available for read and write.

Default value: 0

|         |                         |
|---------|-------------------------|
| FLT = 0 | Sharp rolloff (default) |
| FLT = 1 | Slow rolloff            |

The FLT bit is used to select the digital filter rolloff characteristic. The filter responses for these selections are shown in the *TYPICAL PERFORMANCE CURVES* section of this data sheet.

**INZD: Infinite Zero Detect Mute Control**

This bit is available for read and write.

Default value: 0

|          |  |
|----------|--|
| INZD = 0 | Infinite zero detect mute disabled (default) |
| INZD = 1 | Infinite zero detect mute enabled            |

The INZD bit is used to enable or disable the zero detect mute function. Setting INZD to 1 forces muted analog outputs to hold a bipolar zero level when the DSD1796 detects zero data in both channels continuously for 1024 sampling periods ( $1/f_s$ ). The infinite zero detect mute function is not available in the DSD mode.

|             | B15 | B14 | B13 | B12 | B11 | B10 | B9 | B8 | B7  | B6   | B5  | B4   | B3   | B2   | B1  | B0  |
|-------------|-----|-----|-----|-----|-----|-----|----|----|-----|------|-----|------|------|------|-----|-----|
| Register 20 | R/W | 0   | 0   | 1   | 0   | 1   | 0  | 0  | RSV | SRST | DSD | DFTH | MONO | CHSL | OS1 | OS0 |

**R/W: Read/Write Mode Select**

When  $R/\overline{W} = 0$ , a write operation is performed.

When  $R/\overline{W} = 1$ , a read operation is performed.

Default value: 0

**SRST: System Reset Control**

This bit is available for write only.

Default value: 0

|          |   |
|----------|---|
| SRST = 0 | Normal operation (default)                        |
| SRST = 1 | System reset operation (generate one reset pulse) |

The SRST bit is used to reset the DSD1796 to the initial system condition.

**DSD: DSD Interface Mode Control**

This bit is available for read and write.

Default value: 0

|         |                                       |
|---------|---------------------------------------|
| DSD = 0 | DSD interface mode disabled (default) |
| DSD = 1 | DSD interface mode enabled            |

The DSD bit is used to enable or disable the DSD interface mode.

**DFTH: Digital Filter Bypass (or Through Mode) Control**

This bit is available for read and write.

Default value: 0

|          |   |
|----------|---|
| DFTH = 0 | Digital filter enabled (default)                    |
| DFTH = 1 | Digital filter bypassed for external digital filter |

The DFTH bit is used to enable or disable the external digital filter interface mode.

**MONO: Monaural Mode Selection**

This bit is available for read and write.

Default value: 0

|          |                       |
|----------|-----------------------|
| MONO = 0 | Stereo mode (default) |
| MONO = 1 | Monaural mode         |

The MONO function is used to change the operation mode from the normal stereo mode to the monaural mode. When the monaural mode is selected, both DACs operate in a balanced mode for one channel of audio input data. Channel selection is available for L-channel or R-channel data, determined by the CHSL bit as described immediately following.

**CHSL: Channel Selection for Monaural Mode**

This bit is available for read and write.

Default value: 0

|          |                              |
|----------|------------------------------|
| CHSL = 0 | L-channel selected (default) |
| CHSL = 1 | R-channel selected           |

This bit is available when MONO = 1.

The CHSL bit selects L-channel or R-channel data to be used in monaural mode.

**OS[1:0]: Delta-Sigma Oversampling Rate Selection**

These bits are available for read and write.

Default value: 00

| OS[1:0] | Operation Speed Select   |
|---------|--------------------------|
| 00      | 64 times $f_S$ (default) |
| 01      | 32 times $f_S$           |
| 10      | 128 times $f_S$          |
| 11      | Reserved                 |

The OS bits are used to change the oversampling rate of delta-sigma modulation. Use of this function enables the designer to stabilize the conditions at the post low-pass filter for different sampling rates. As an application example, programming to set 128 times in 44.1-kHz operation, 64 times in 96-kHz operation, and 32 times in 192-kHz operation allows the use of only a single type (cutoff frequency) of post low-pass filter. The 128- $f_S$  oversampling rate is not available at sampling rates above 100 kHz. If the 128- $f_S$  oversampling rate is selected, a system clock of more than 256  $f_S$  is required.

In DSD mode, these bits are used to select the speed of the bit clock for DSD data coming into the analog FIR filter.

|             |     |     |     |     |     |     |    |    |     |     |     |     |     |     |     |      |
|-------------|-----|-----|-----|-----|-----|-----|----|----|-----|-----|-----|-----|-----|-----|-----|------|
|             | B15 | B14 | B13 | B12 | B11 | B10 | B9 | B8 | B7  | B6  | B5  | B4  | B3  | B2  | B1  | B0   |
| Register 21 | R/W | 0   | 0   | 1   | 0   | 1   | 0  | 1  | RSV | RSV | RSV | RSV | RSV | DZ1 | DZ0 | PCMZ |

**R/W: Read/Write Mode Select**

When  $R/\overline{W} = 0$ , a write operation is performed.

When  $R/\overline{W} = 1$ , a read operation is performed.

Default value: 0

**DZ[1:0]: DSD Zero Output Enable**

These bits are available for read and write.

Default value: 00

| DZ[1:0] | Zero Output Enable  |
|---------|---------------------|
| 00      | Disabled (default)  |
| 01      | Even pattern detect |
| 1x      | 96h pattern detect  |

The DZ bits are used to enable or disable the output zero flags, and to select the zero pattern in the DSD mode. The DSD1796 sets zero flags when the numbers of 1s and 0s are equal in every 8 bits of DSD input data, or the DSD input data is 1001 0110 continuously for 23 ms.

**PCMZ: PCM Zero Output Enable**

These bits are available for read and write.

Default value: 1

|          |                                   |
|----------|-----------------------------------|
| PCMZ = 0 | PCM zero output disabled          |
| PCMZ = 1 | PCM zero output enabled (default) |

The PCMZ bit is used to enable or disable the output zero flags in the PCM mode and the external DF mode. The DSD1796 sets the zero flags when the input data is continuously zero for 1024 PLRCKs in the PCM mode or 1024 WDCKs in the external filter mode.

|             |     |     |     |     |     |     |    |    |     |     |     |     |     |     |      |      |
|-------------|-----|-----|-----|-----|-----|-----|----|----|-----|-----|-----|-----|-----|-----|------|------|
|             | B15 | B14 | B13 | B12 | B11 | B10 | B9 | B8 | B7  | B6  | B5  | B4  | B3  | B2  | B1   | B0   |
| Register 22 | R   | 0   | 0   | 1   | 0   | 1   | 1  | 0  | RSV | RSV | RSV | RSV | RSV | RSV | ZFGR | ZFGL |

**R: Read Mode Select**

Value is always 1, specifying the readback mode.

**ZFGx: Zero-Detection Flag**

Where x = L or R, corresponding to the DAC output channel. These bits are available only for readback.

Default value: 00

|          |               |
|----------|---------------|
| ZFGx = 0 | Not zero      |
| ZFGx = 1 | Zero detected |

When the DSD1796 detects that audio input data is continuously zero, the ZFGx bit is set to 1 for the corresponding channel(s).

|             | B15 | B14 | B13 | B12 | B11 | B10 | B9 | B8 | B7  | B6  | B5  | B4  | B3  | B2  | B1  | B0  |
|-------------|-----|-----|-----|-----|-----|-----|----|----|-----|-----|-----|-----|-----|-----|-----|-----|
| Register 23 | R   | 0   | 0   | 1   | 0   | 1   | 1  | 1  | RSV | RSV | RSV | ID4 | ID3 | ID2 | ID1 | ID0 |

**R: Read Mode Select**

Value is always 1, specifying the readback mode.

**ID[4:0]: Device ID**

The ID[4:0] bits hold a device ID in the TDMCA mode.

## APPLICATION INFORMATION

### TYPICAL CONNECTION DIAGRAM

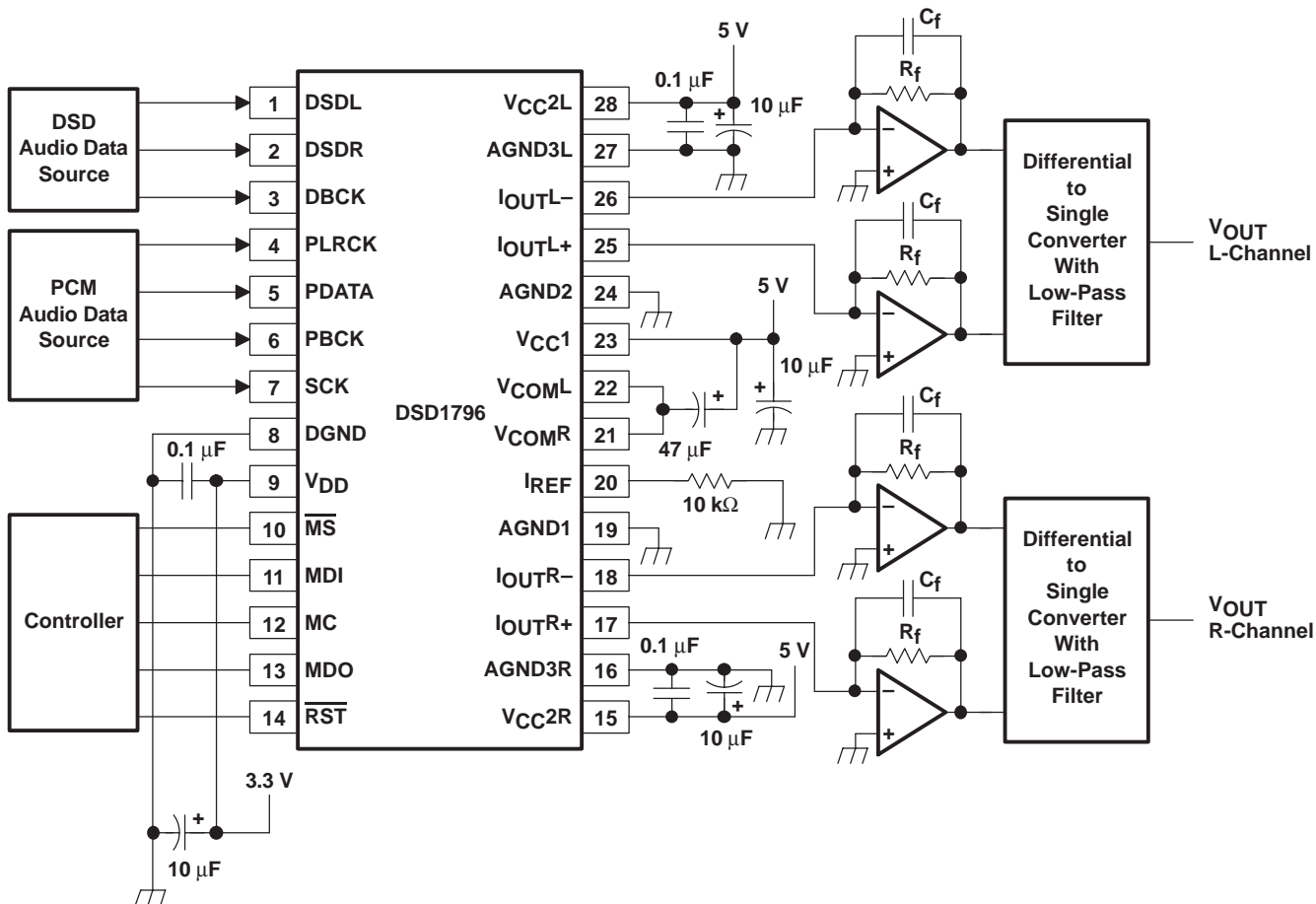


Figure 31. Typical Application Circuit

### APPLICATION CIRCUIT

The design of the application circuit is very important in order to actually realize the high S/N ratio of which the DSD1796 is capable. This is because noise and distortion that are generated in an application circuit are not negligible.

In the third-order LPF circuit of Figure 32, the output level is 2.1 V rms and 123 dB S/N is achieved.

Figure 33 shows a circuit for the DSD mode, which is a fourth-order LPF in order to reduce the out-of-band noise.

### I/V Section

The current of the DSD1796 on each of the output pins ( $I_{OUTL+}$ ,  $I_{OUTL-}$ ,  $I_{OUTR+}$ ,  $I_{OUTR-}$ ) is 4 mA p-p at 0 dB (full scale). The voltage output level of the I/V converter ( $V_i$ ) is given by following equation:

$$V_i = 4 \text{ mA p-p} \times R_f \quad (R_f : \text{feedback resistance of I/V converter})$$

An NE5534 operational amplifier is recommended for the I/V circuit to obtain the specified performance. Dynamic performance such as the gain bandwidth, settling time, and slew rate of the operational amplifier affects the audio dynamic performance of the I/V section.

### Differential Section

The DSD1796 voltage outputs are followed by differential amplifier stages, which sum the differential signals for each channel, creating a single-ended I/V op-amp output. In addition, the differential amplifiers provide a low-pass filter function. The operational amplifier recommended for the differential circuit is the low-noise type.

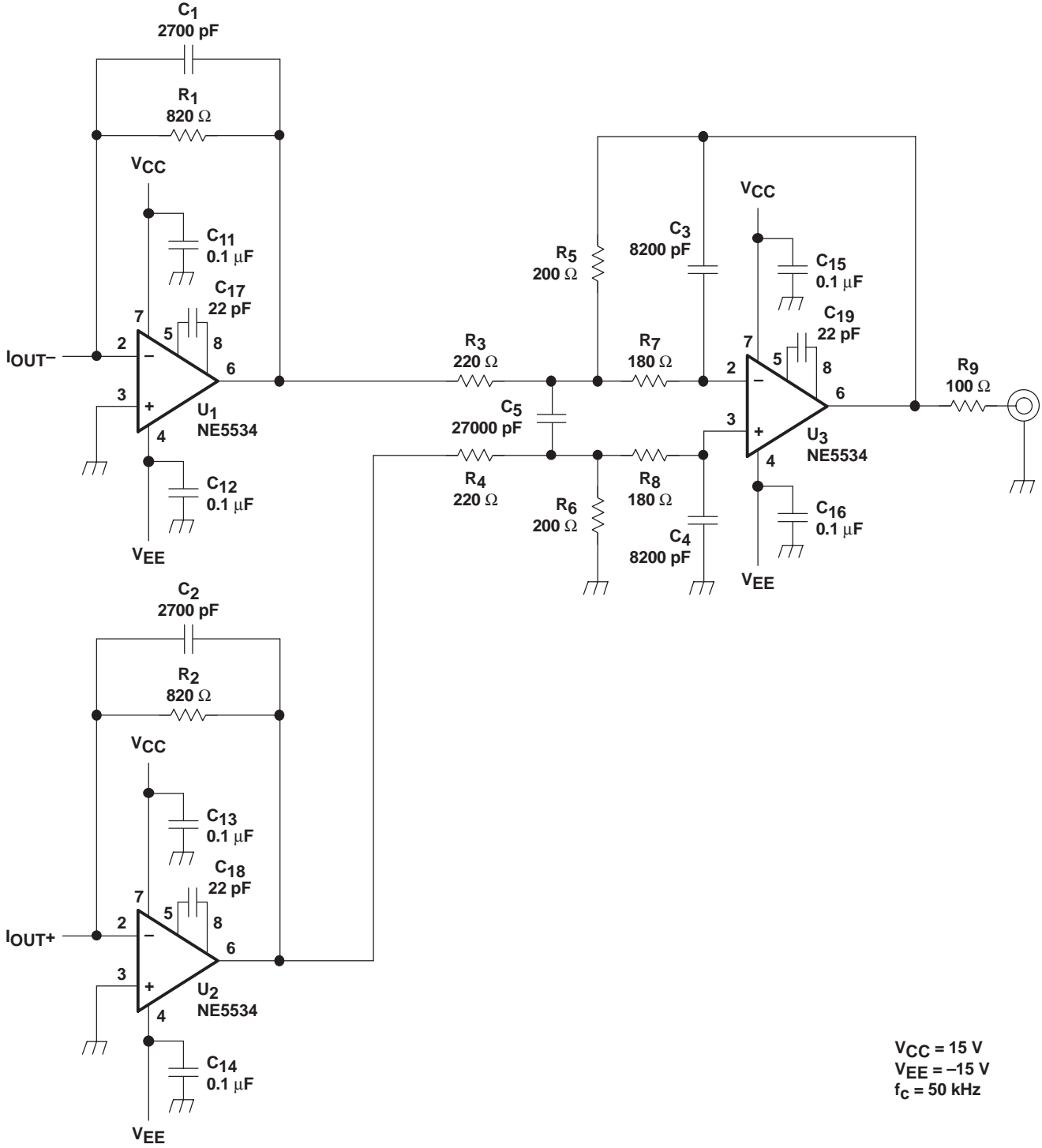
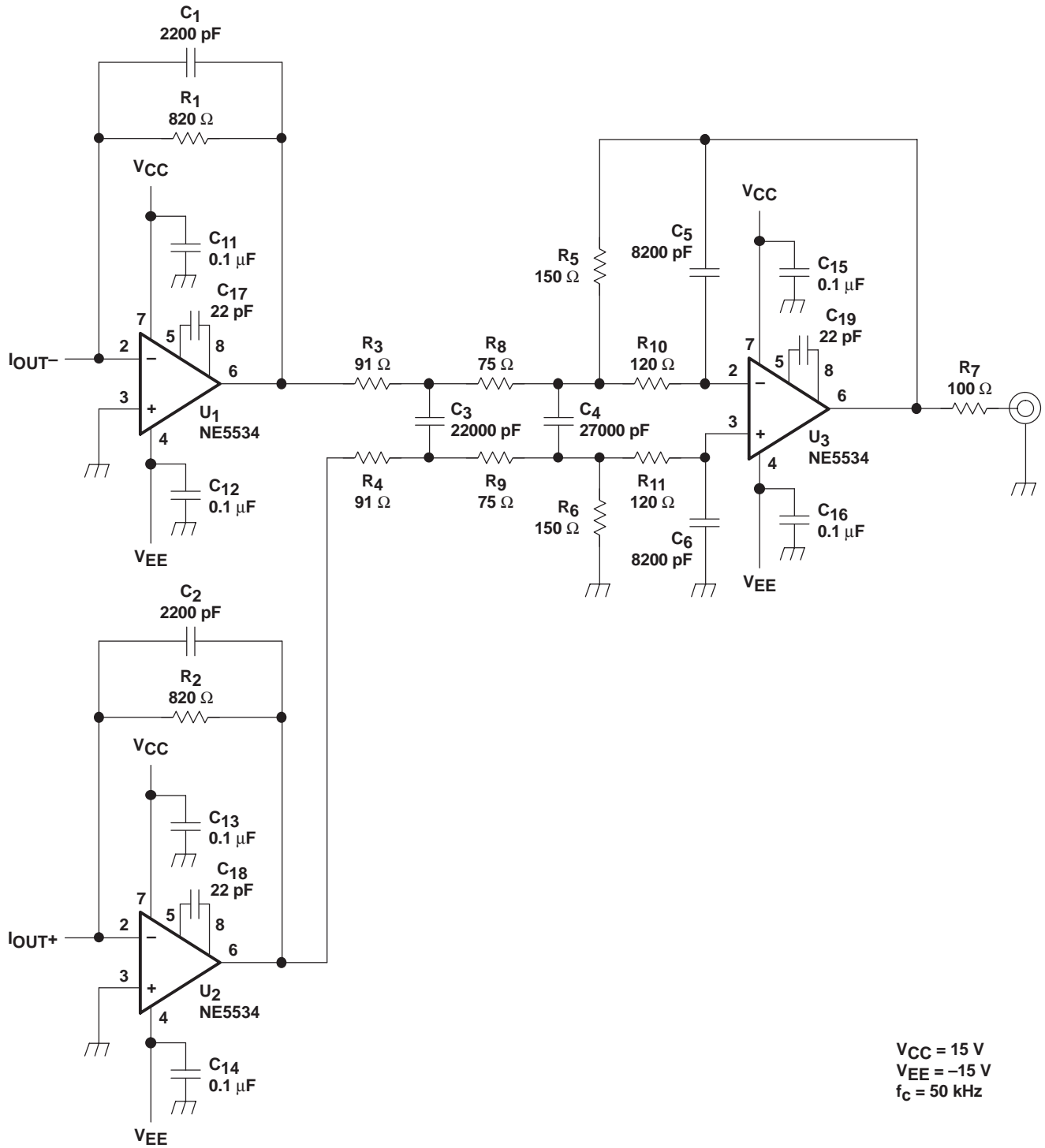


Figure 32. Measurement Circuit for PCM



**Figure 33. Measurement Circuit for DSD**

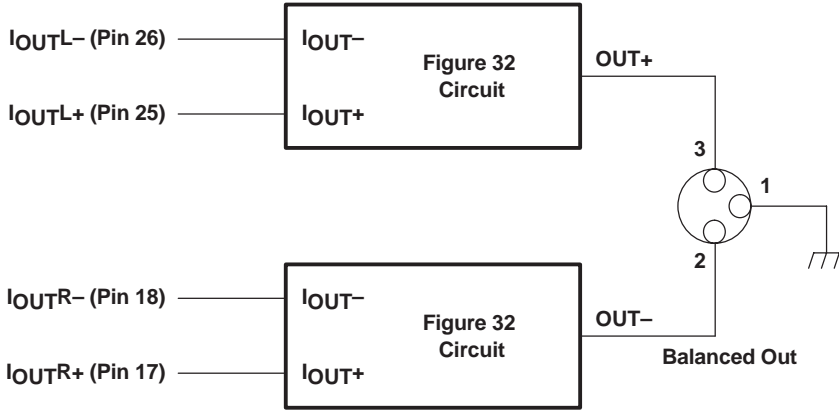
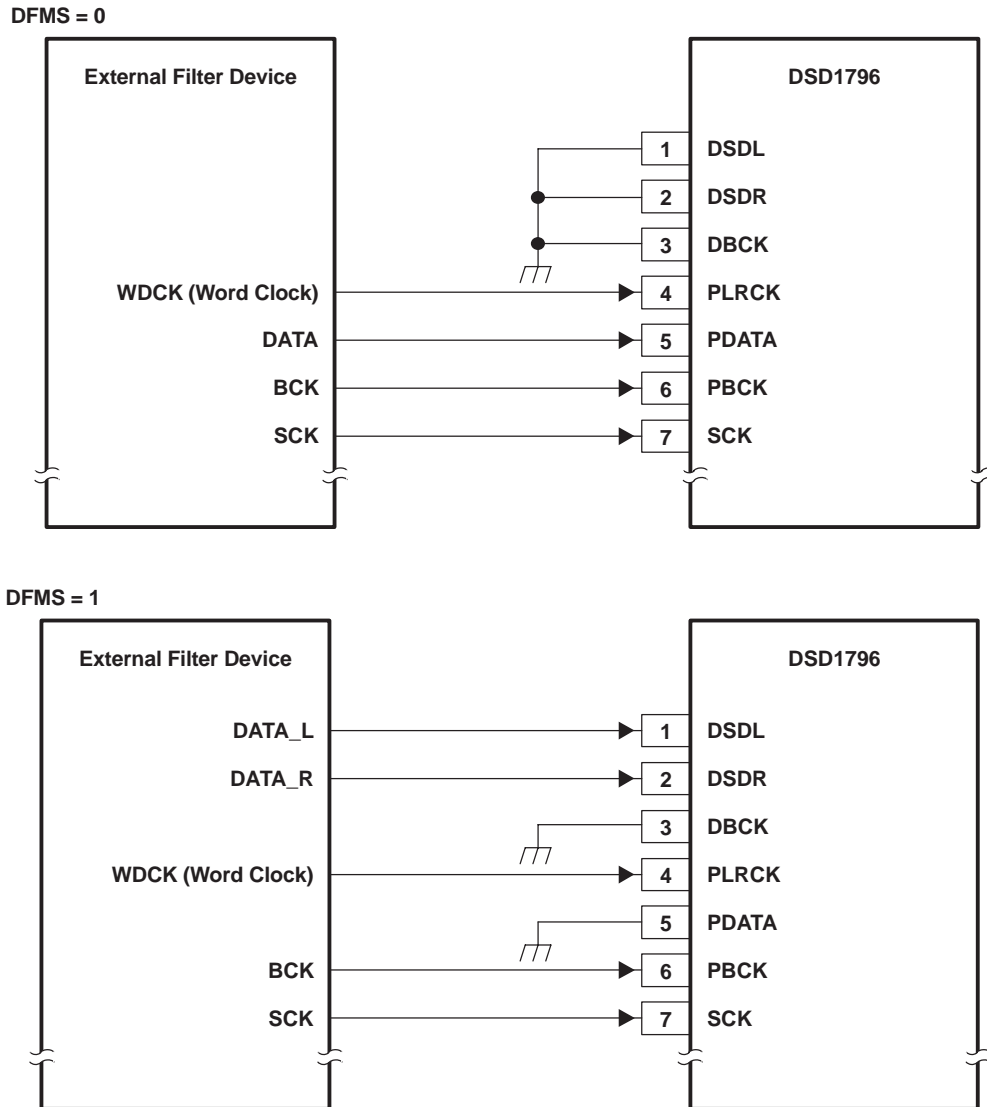


Figure 34. Measurement Circuit for Monaural Mode



**APPLICATION FOR EXTERNAL DIGITAL FILTER INTERFACE**



**Figure 35. Connection Diagram for External Digital Filter (Internal DF Bypass Mode) Application**

### Application for Interfacing With an External Digital Filter

For some applications, it may be desirable to use an external digital filter to perform the interpolation function, as it can provide improved stop-band attenuation when compared to the internal digital filter of the DSD1796.

The DSD1796 supports several external digital filters, including:

- Texas Instruments DF1704 and DF1706
- Pacific Microsonics PMD200 HDCD filter/decoder IC
- Programmable digital signal processors

The external digital filter application mode is accessed by programming the following bit in the corresponding control register:

- DFTH = 1 (register 20)

The pins used to provide the serial interface for the external digital filter are shown in the connection diagram of Figure 35. The word clock (WDCK) signal must be operated at  $8\times$  or  $4\times$  the desired sampling frequency,  $f_S$ .

### Pin Assignment When Using the External Digital Filter Interface

- PLRCK (pin 4): WDCK as word clock input
- PBCK (pin 6): BCK as bit clock for audio data
- PDATA (pin 5): DATA as monaural audio data input when the DFMS bit is not set to 1
- DSDL (pin 1): DATAL as L-channel audio data input when the DFMS bit is set to 1
- DSDR (pin 2): DATAR as R-channel audio data input when the DFMS bit is set to 1

## Audio Format

The DSD1796 in the external digital filter interface mode supports right-justified audio formats including 16-bit, 20-bit, and 24-bit audio data, as shown in Figure 36. The audio format is selected by the FMT[2:0] bits of control register 18.

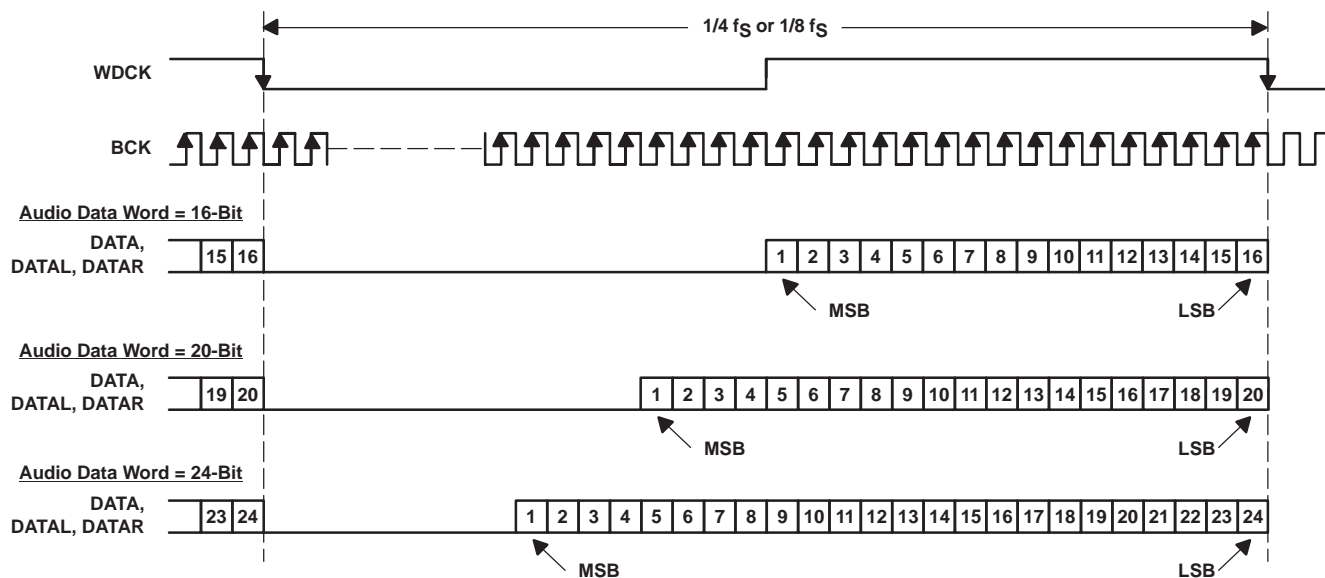
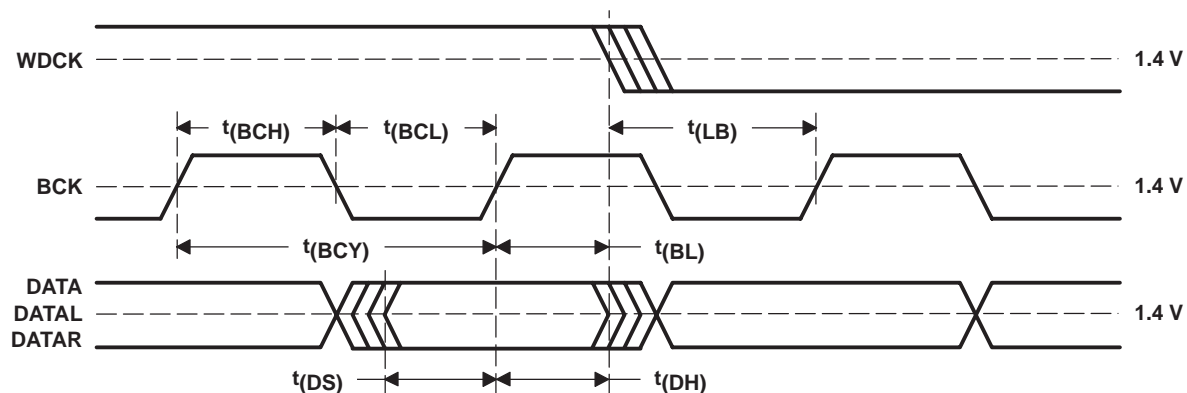


Figure 36. Audio Data Input Format for External Digital Filter (Internal DF Bypass Mode) Application

## System Clock (SCK) and Interface Timing

The DSD1796 in an application using an external digital filter requires the synchronization of WDCK and the system clock. The system clock is phase-free with respect to WDCK. Interface timing among WDCK, BCK, DATA, DATAL, and DATAR is shown in Figure 37.



| PARAMETER                                       | MIN | MAX | UNITS |
|---|-----|-----|-------|
| $t_{(BCY)}$ BCK pulse cycle time                | 20  |     | ns    |
| $t_{(BCL)}$ BCK pulse duration, LOW             | 7   |     | ns    |
| $t_{(BCH)}$ BCK pulse duration, HIGH            | 7   |     | ns    |
| $t_{(BL)}$ BCK rising edge to WDCK falling edge | 5   |     | ns    |
| $t_{(LB)}$ WDCK falling edge to BCK rising edge | 5   |     | ns    |
| $t_{(DS)}$ DATA, DATAL, DATAR setup time        | 5   |     | ns    |
| $t_{(DH)}$ DATA, DATAL, DATAR hold time         | 5   |     | ns    |

Figure 37. Audio Interface Timing for External Digital Filter (Internal DF Bypass Mode) Application

### Functions Available in the External Digital Filter Mode

The external digital filter mode is selected by setting DSD = 0 (register 20, B5) and DFTH = 1 (register 20, B4).

The external digital filter mode allows access to the majority of the DSD1796 mode control functions.

The following table shows the register mapping available when the external digital filter mode is selected, along with descriptions of functions which are modified when using this mode selection.

|             | B15 | B14 | B13 | B12 | B11 | B10 | B9 | B8 | B7  | B6   | B5   | B4   | B3   | B2   | B1   | B0   |
|-------------|-----|-----|-----|-----|-----|-----|----|----|-----|------|------|------|------|------|------|------|
| Register 16 | R/W | 0   | 0   | 1   | 0   | 0   | 0  | 0  | –   | –    | –    | –    | –    | –    | –    | –    |
| Register 17 | R/W | 0   | 0   | 1   | 0   | 0   | 0  | 1  | –   | –    | –    | –    | –    | –    | –    | –    |
| Register 18 | R/W | 0   | 0   | 1   | 0   | 0   | 1  | 0  | –   | FMT2 | FMT1 | FMT0 | –    | –    | –    | –    |
| Register 19 | R/W | 0   | 0   | 1   | 0   | 0   | 1  | 1  | REV | –    | –    | OPE  | –    | DFMS | –    | INZD |
| Register 20 | R/W | 0   | 0   | 1   | 0   | 1   | 0  | 0  | –   | SRST | 0    | 1    | MONO | CHSL | OS1  | OS0  |
| Register 21 | R/W | 0   | 0   | 1   | 0   | 1   | 0  | 1  | –   | –    | –    | –    | –    | –    | –    | PCMZ |
| Register 22 | R   | 0   | 0   | 1   | 0   | 1   | 1  | 0  | –   | –    | –    | –    | –    | –    | ZFGR | ZFGL |

NOTE: –: Function is disabled. No operation even if data bit is set

### FMT[2:0]: Audio Data Format Selection

Default value: 000

| FMT[2:0] | Audio Data Format Select                |
|----------|---|
| 000      | 16-bit right-justified format (default) |
| 001      | 20-bit right-justified format           |
| 010      | 24-bit right-justified format           |
| Other    | N/A                                     |

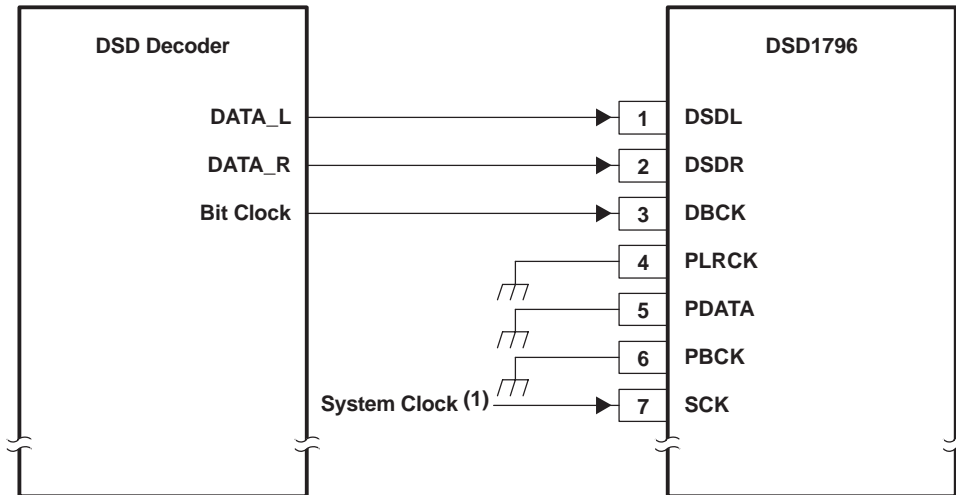
### OS[1:0]: Delta-Sigma Modulator Oversampling Rate Selection

Default value: 00

| OS[1:0] | Operation Speed Select |
|---------|------------------------|
| 00      | 8 times WDCK (default) |
| 01      | 4 times WDCK           |
| 10      | 16 times WDCK          |
| 11      | Reserved               |

The effective oversampling rate is determined by the oversampling performed by both the external digital filter and the delta-sigma modulator. For example, if the external digital filter is 8 $\times$  oversampling, and the user selects OS[1:0] = 00, then the delta-sigma modulator oversamples by 8 $\times$ , resulting in an effective oversampling rate of 64 $\times$ . The 16 $\times$  WDCK oversampling rate is not available above a 100-kHz sampling rate. If the oversampling rate selected is 16 $\times$  WDCK, the system clock frequency must be over 256  $f_s$ .

**APPLICATION FOR DSD FORMAT (DSD MODE) INTERFACE**



(1) The system clock can be removed after setting the register to the DSD mode.

**Figure 38. Connection Diagram in DSD Mode**

**Feature**

This mode is used for interfacing directly to a DSD decoder, which is found in Super Audio CD™ (SACD) applications. The DSD mode is accessed by programming the following bit in the corresponding control register.

DSD = 1 (register 20)

The DSD mode provides a low-pass filtering function. The filtering is provided using an analog FIR filter structure. Four FIR responses are available, and are selected by the DMF[1:0] bits of control register 18.

The DSD bit must be set before inputting DSD data; otherwise, the DSD1796 erroneously detects the TDMCA mode, and commands are not accepted through the serial control interface.

**Pin Assignment When Using the DSD Format Interface**

Pins for DSD mode operation are:

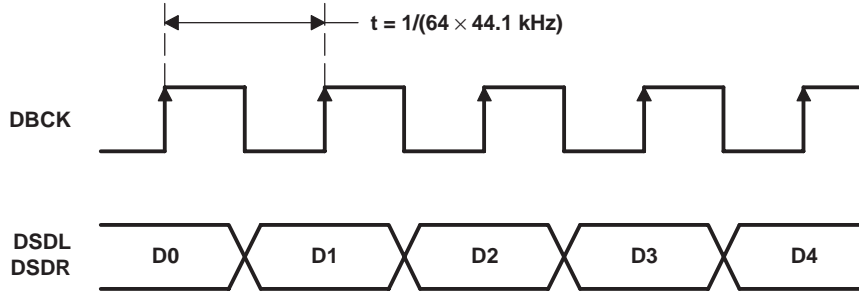
- DSDL (pin 1): L-channel DSD data input
- DSDR (pin 2): R-channel DSD data input
- DBCK (pin 3): Bit clock for DSD data

**Requirements for Bit Clock and System Clock**

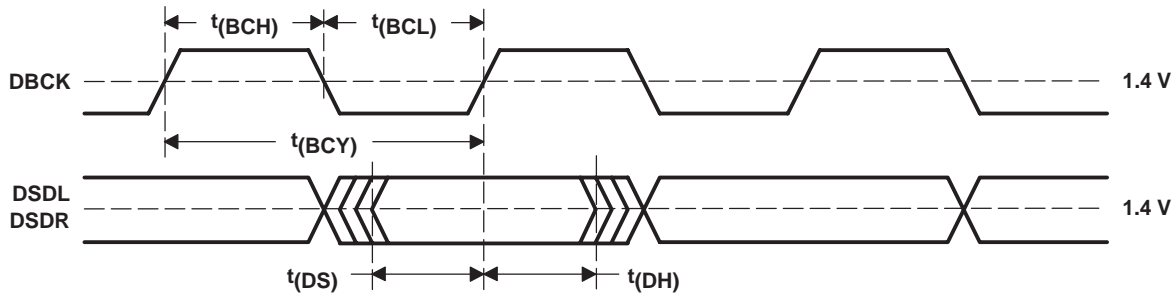
In the DSD mode, the bit clock (DBCK) is required on pin 3 of the DSD1796. The frequency of the bit clock can be N times the sampling frequency. Generally, N is 64 in DSD applications.

The interface timing between the bit clock and DSDL and DSDR is required to meet the same setup-and hold-time specifications as shown in Figure 40.

SCK is not necessary after the mode change to the DSD mode is complete.



**Figure 39. Normal Data Output Form From DSD Decoder**

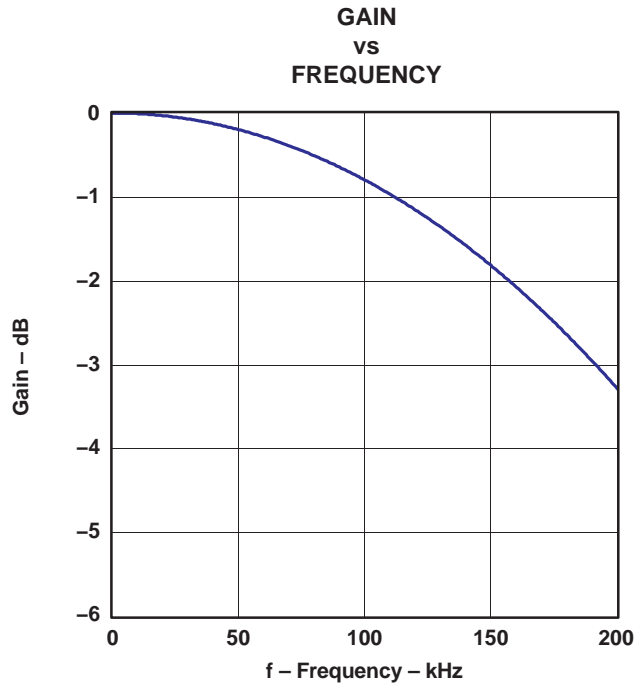


| PARAMETER |                       | MIN               | MAX | UNITS |
|-----------|-----------------------|-------------------|-----|-------|
| t(BCY)    | DBCK pulse cycle time | 85 <sup>(1)</sup> |     | ns    |
| t(BCH)    | DBCK high-level time  | 30                |     | ns    |
| t(BCL)    | DBCK low-level time   | 30                |     | ns    |
| t(DS)     | DSDL, DSDR setup time | 10                |     | ns    |
| t(DH)     | DSDL, DSDR hold time  | 10                |     | ns    |

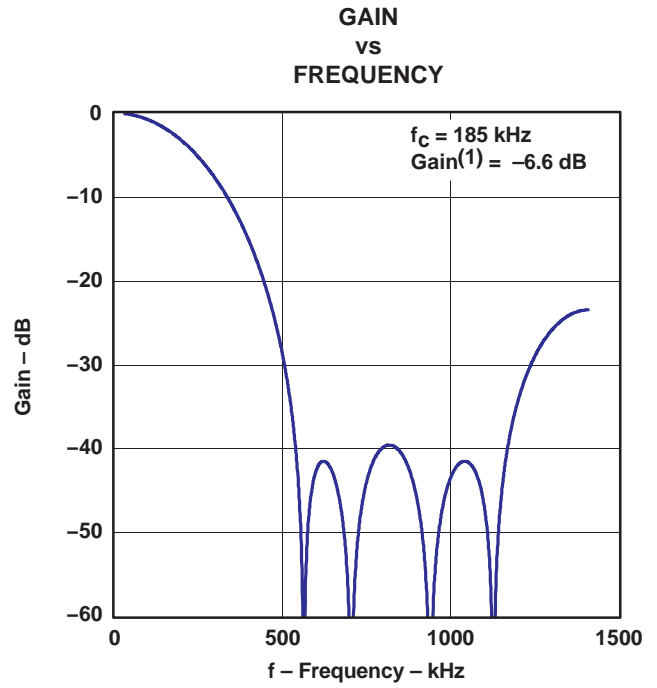
<sup>(1)</sup> 2.8224 MHz × 4. (2.8224 MHz = 64 × 44.1 kHz. This value is specified as a sampling rate of DSD.)

**Figure 40. Timing for DSD Audio Interface**

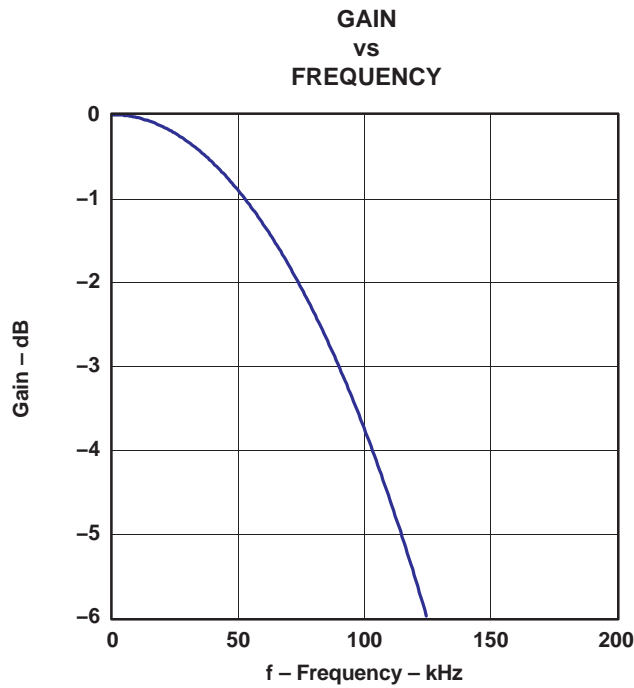
**ANALOG FIR FILTER PERFORMANCE IN DSD MODE**



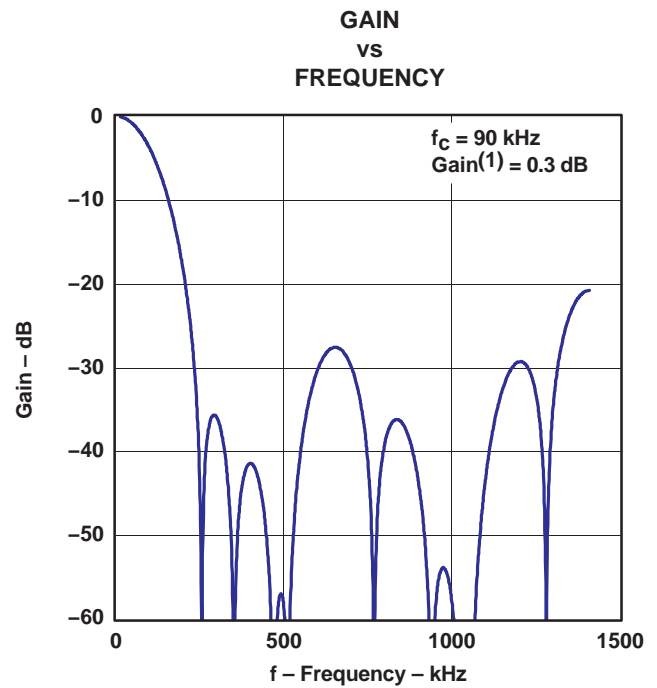
**Figure 41. DSD Filter-1, Low BW**



**Figure 42. DSD Filter-1, High BW**



**Figure 43. DSD Filter-2, Low BW**



**Figure 44. DSD Filter-2, High BW**

(1) This gain is in comparison to PCM 0 dB, when the DSD input signal efficiency is 50%.

ANALOG FIR FILTER PERFORMANCE IN DSD MODE (CONTINUED)

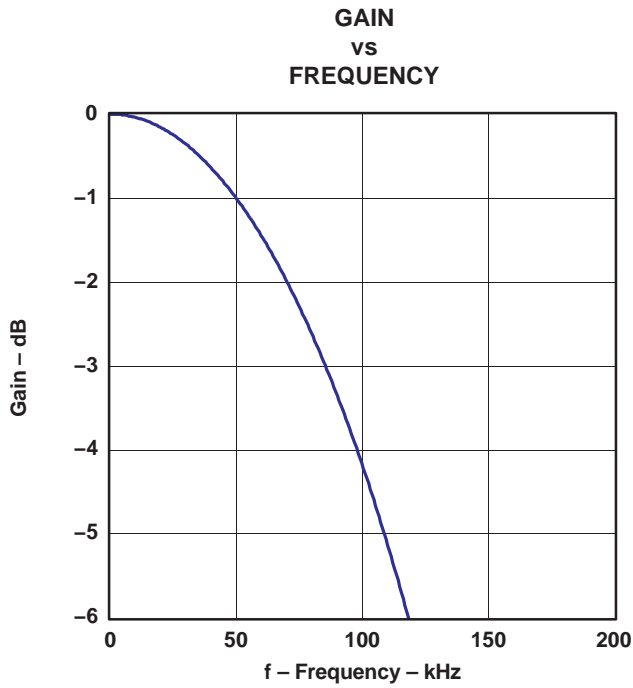


Figure 45. DSD Filter-3, Low BW

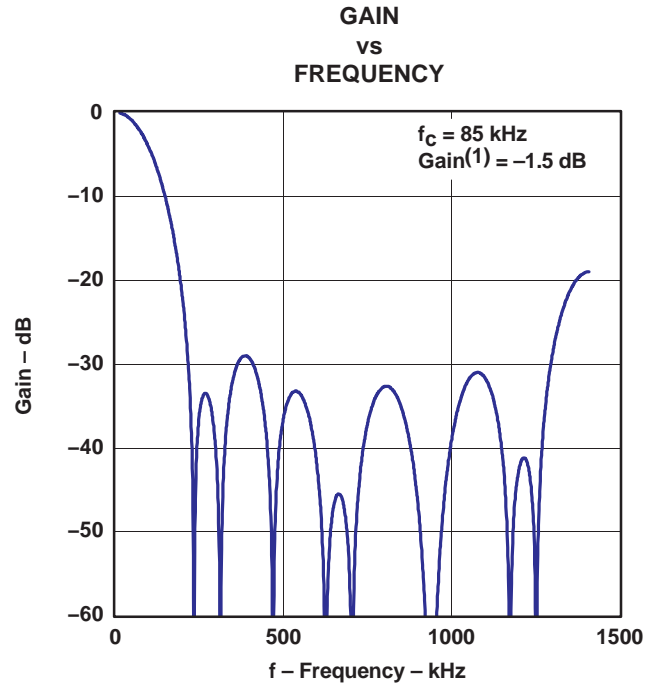


Figure 46. DSD Filter-3, High BW

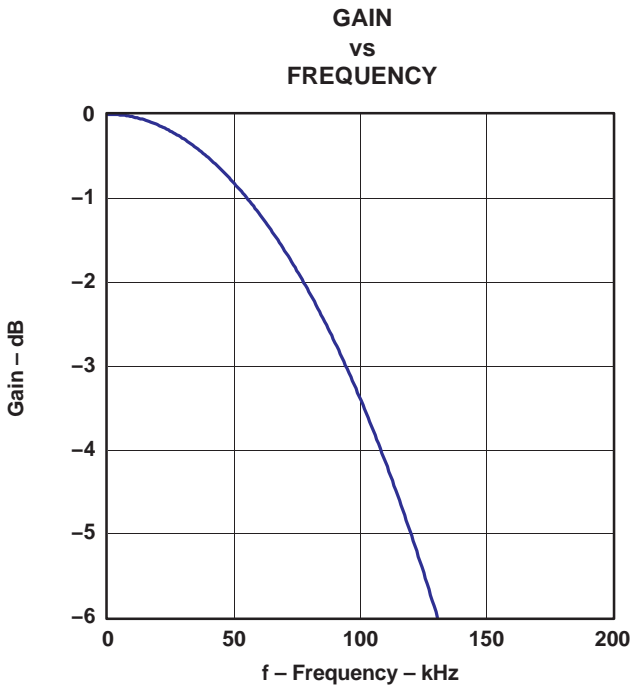


Figure 47. DSD Filter-4, Low BW

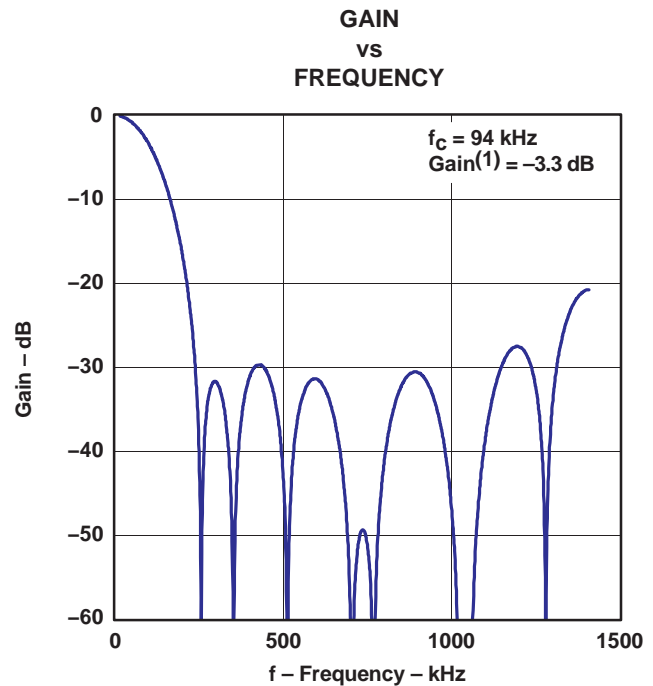


Figure 48. DSD Filter-4, High BW

(1) This gain is in comparison to PCM 0 dB, when the DSD input signal efficiency is 50%.



## DSD MODE CONFIGURATION AND FUNCTION CONTROLS

### Configuration for the DSD Interface Mode

The DSD interface mode is selected by setting DSD = 1 (register 20, B5).

|                    | B15 | B14 | B13 | B12 | B11 | B10 | B9 | B8 | B7  | B6   | B5 | B4  | B3   | B2   | B1   | B0   |
|--------------------|-----|-----|-----|-----|-----|-----|----|----|-----|------|----|-----|------|------|------|------|
| <b>Register 16</b> | R/W | 0   | 0   | 1   | 0   | 0   | 0  | 0  | –   | –    | –  | –   | –    | –    | –    | –    |
| <b>Register 17</b> | R/W | 0   | 0   | 1   | 0   | 0   | 0  | 1  | –   | –    | –  | –   | –    | –    | –    | –    |
| <b>Register 18</b> | R/W | 0   | 0   | 1   | 0   | 0   | 1  | 0  | –   | –    | –  | –   | DMF1 | DMF0 | –    | –    |
| <b>Register 19</b> | R/W | 0   | 0   | 1   | 0   | 0   | 1  | 1  | REV | –    | –  | OPE | –    | –    | –    | –    |
| <b>Register 20</b> | R/W | 0   | 0   | 1   | 0   | 1   | 0  | 0  | –   | SRST | 1  | –   | MONO | CHSL | OS1  | OS0  |
| <b>Register 21</b> | R   | 0   | 0   | 1   | 0   | 1   | 0  | 1  | –   | –    | –  | –   | –    | DZ1  | DZ0  | –    |
| <b>Register 22</b> | R   | 0   | 0   | 1   | 0   | 1   | 1  | 0  | –   | –    | –  | –   | –    | –    | ZFGR | ZFGL |

NOTE: –: Function is disabled. No operation even if data bit is set

### DMF[1:0]: Analog FIR Performance Selection

Default value: 00

| DMF[1:0] | Analog-FIR Performance Select |
|----------|-------------------------------|
| 00       | FIR-1 (default)               |
| 01       | FIR-2                         |
| 10       | FIR-3                         |
| 11       | FIR-4                         |

Plots for the four analog FIR filter responses are shown in the *ANALOG FIR FILTER PERFORMANCE IN DSD MODE* section of this data sheet.

### OS[1:0]: Analog-FIR Operation-Speed Selection

Default value: 00

| OS[1:0] | Operation Speed Select      |
|---------|-----------------------------|
| 00      | $f_{\text{DBCK}}$ (default) |
| 01      | $f_{\text{DBCK}}/2$         |
| 10      | Reserved                    |
| 11      | $f_{\text{DBCK}}/4$         |

The OS bit in the DSD mode is used to select the operating rate of the analog FIR. The OS bits must be set before setting the DSD bit to 1.

## TDMCA INTERFACE FORMAT

The DSD1796 supports the time-division-multiplexed command and audio (TDMCA) data format to simplify the host control serial interface. The TDMCA format is designed not only for the McBSP of TI DSPs but also for any programmable devices. The TDMCA format can transfer not only audio data but also command data, so that it can be used together with any kind of device that supports the TDMCA format. The TDMCA frame consists of command field, extended command field, and some audio data fields. Those audio data are transported to IN devices (such as a DAC) and/or from OUT devices (such as an ADC). The DSD1796 is an IN device. LRCK and BCK are used with both IN and OUT devices so that the sample frequency of all devices in a system must be the same. The TDMCA mode supports a maximum of 30 device IDs. The maximum number of audio channels depends on the BCK frequency.

### TDMCA Mode Determination

The DSD1796 recognizes the TDMCA mode automatically when it receives an LRCK signal with a pulse duration of two BCK clocks. If the TDMCA mode operation is not needed, the duty cycle of LRCK must be 50%. Figure 49 shows the LRCK and BCK timing that determines the TDMCA mode. The DSD1796 enters the TDMCA mode after two continuous TDMCA frames. Any TDMCA commands can be issued during the next TDMCA frame after the TDMCA mode is entered.

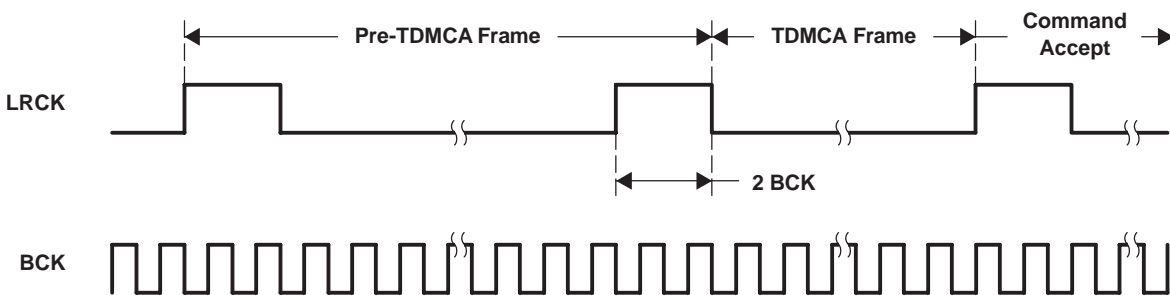


Figure 49. LRCK and BCK Timing for Determination of TDMCA Mode

### TDMCA Terminals

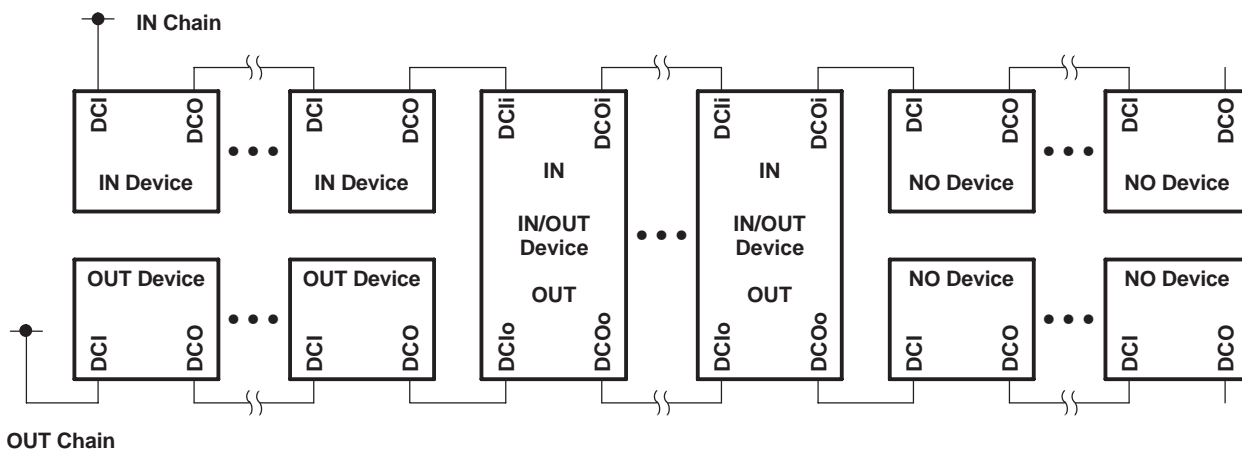
TDMCA requires six signals, of which four signals are for command and audio data interface, and one pair of signals which are for daisy chaining. Those signals can be shared as shown in Table 4. The DO signal has a 3-state output so that it can be connected directly to other devices.

Table 4. TDMCA Terminal Descriptions

| TERMINAL NAME   | TDMCA NAME | I/O | DESCRIPTION   |
|-----------------|------------|-----|---|
| PLRCK           | LRCK       | I   | TDMCA frame start signal. It must be the same as the sampling frequency.                          |
| PBCK            | BCK        | I   | TDMCA clock. Its frequency must be high enough to communicate a TDMCA frame within an LRCK cycle. |
| PDATA           | DI         | I   | TDMCA command and audio data input signal   |
| MDO             | DO         | O   | TDMCA command data 3-state output signal  |
| MC              | DCI        | I   | TDMCA daisy-chain input signal  |
| $\overline{MS}$ | DCO        | O   | TDMCA daisy-chain output signal   |

### Device ID Determination

The TDMCA mode also supports a multichip implementation in one system. This means a host controller (DSP) can simultaneously support several TDMCA devices, which can be of the same type or different types, including PCM devices. The PCM devices are categorized as IN device, OUT device, IN/OUT device, and NO device. The IN device has an input port to receive audio data, the OUT device has an output port to supply audio data, the IN/OUT device has both input and output ports for audio data, and the NO device has no port for audio data but needs command data from the host. A DAC is an IN device, an ADC is an OUT device, a codec is an IN/OUT device, and a PLL is a NO device. The DSD1796 is an IN device. For the host controller to distinguish the devices, each device is assigned its own device ID by the daisy chain. The devices obtain their own device IDs automatically by connecting their DCI to the DCO of the preceding device and their DCO to the DCI of the following device in the daisy chain. The daisy chains are categorized as the IN chain and the OUT chain, which are completely independent and equivalent. Figure 50 shows an example daisy chain connection. If a system needs to chain the DSD1796 and a NO device in the same IN or OUT chain, the NO device must be chained at the back end of the chain because it does not require any audio data. Figure 51 shows an example of a TDMCA system including an IN chain and an OUT chain with a TI DSP. For a device to get its own device ID, the DID signal must be set to 1 (see the *Command Field* section for details), and LRCK and BCK must be driven in the TDMCA mode for all PCM devices which are chained. The device at the top of the chain knows its device ID is 1 because its DCI is fixed HIGH. Other devices count the BCK pulses and observe their own DCI signal to determine their position and ID. Figure 52 shows the initialization of each device ID.



**Figure 50. Daisy Chain Connection**

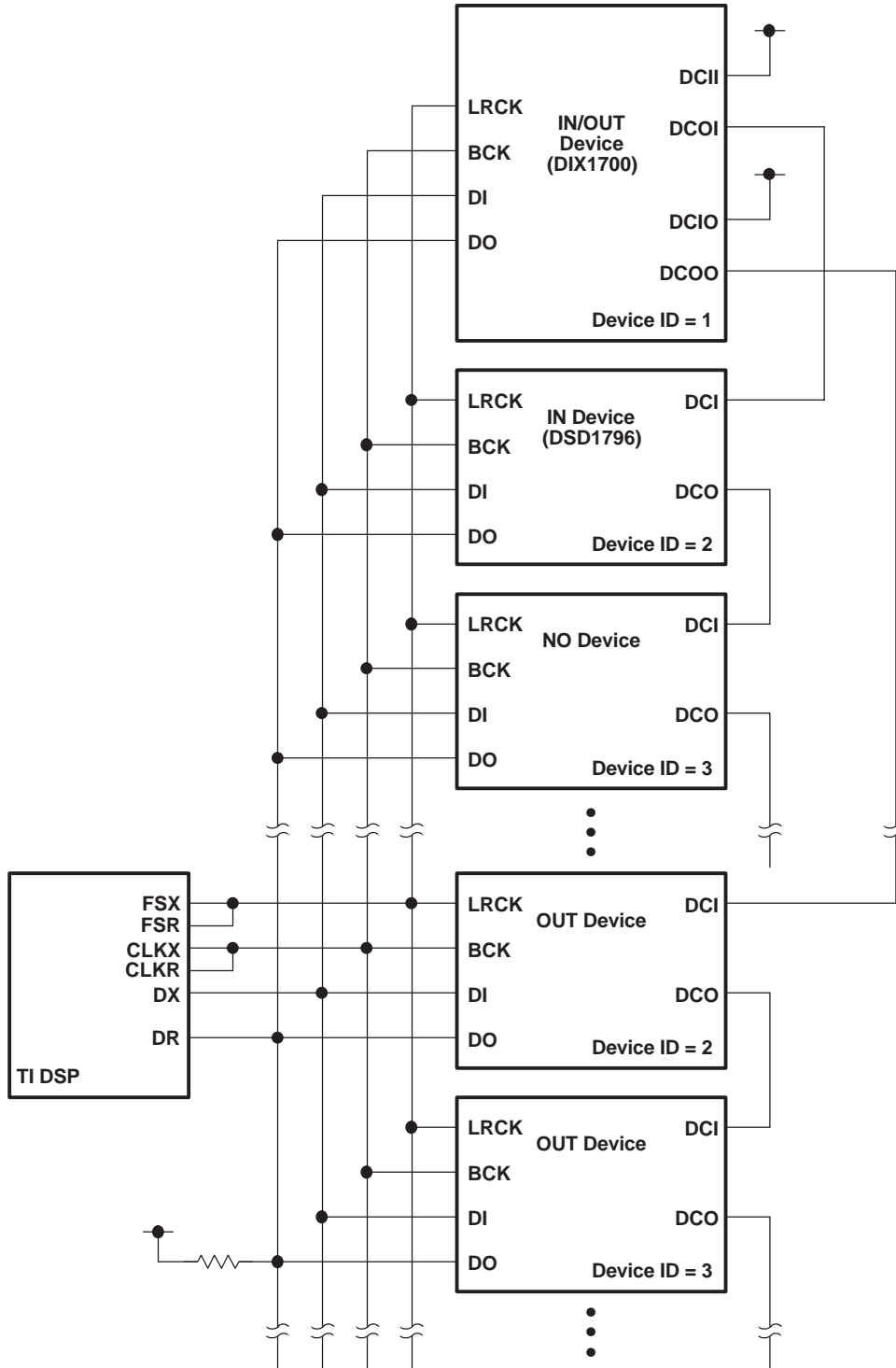


Figure 51. IN Daisy Chain and OUT Daisy Chain Connection for a Multichip System

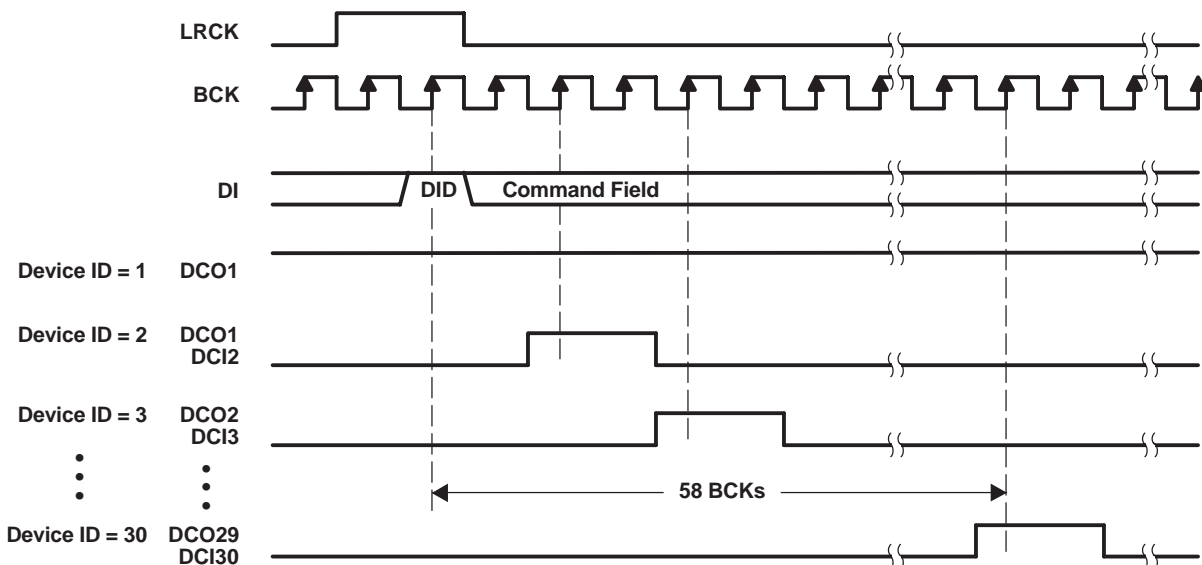


Figure 52. Device ID Determination Sequence

### TDMCA Frame

In general, the TDMCA frame consists of the command field, extended command (EMD) field, and audio data fields. All of them are 32 bits in length, but the lowest byte has no meaning. The MSB is transferred first for each field. The command field is always transferred as the first packet of the frame. The EMD field is transferred if the EMD flag of the command field is HIGH. If any EMD packets are transferred, no audio data follows the EMD packets. This frame is for quick system initialization. All devices of a daisy chain should respond to the command field and extended command field. The DSD1796 has two audio channels that can be selected by OPE (register 19). If the OPE bit is not set HIGH, those audio channels are transferred. Figure 53 shows the general TDMCA frame. If some DACs are enabled, but corresponding audio data packets are not transferred, the analog outputs are unpredictable.

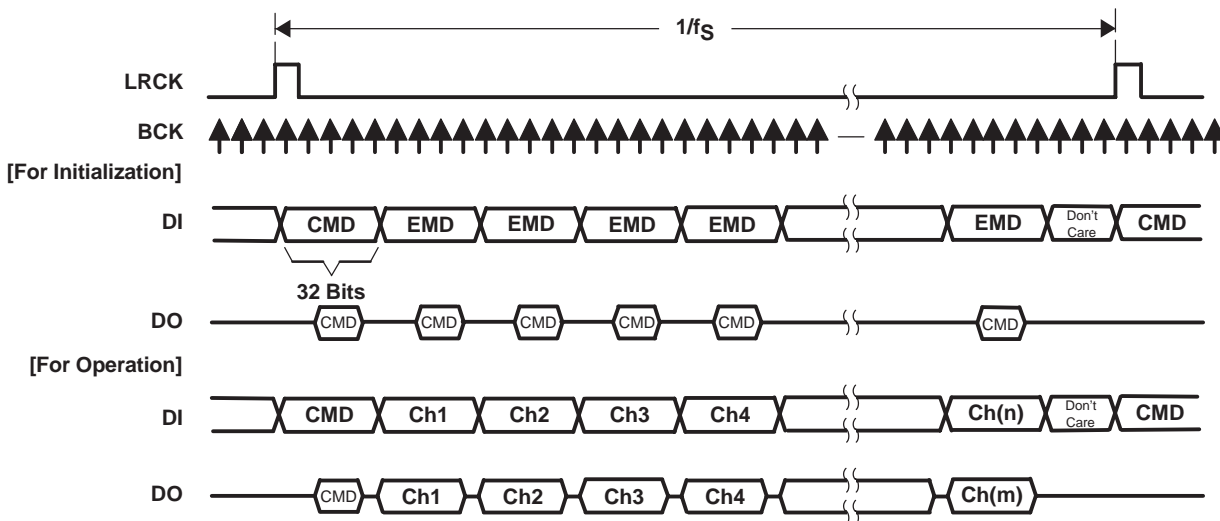


Figure 53. General TDMCA Frame

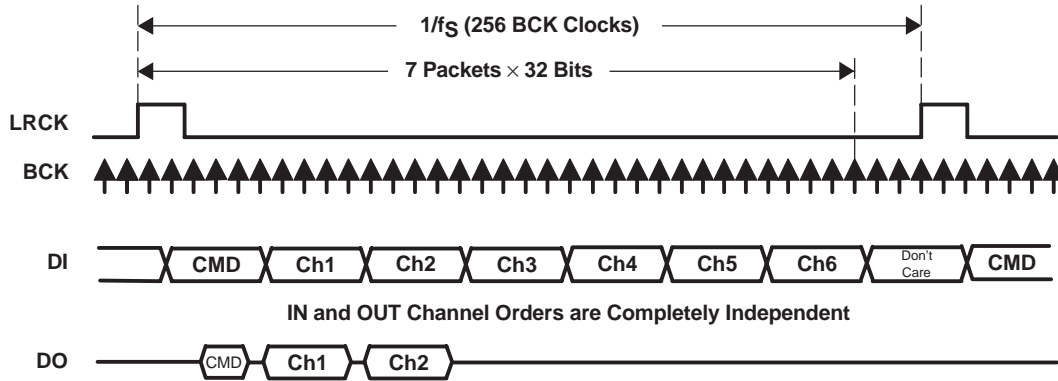


Figure 54. TDMCA Frame Example of 6-Ch DAC and 2-Ch ADC With Command Read

**Command Field**

The normal command field is defined as follows. When the DID bit (MSB) is 1, this frame is used only for device ID determination, and all remaining bits in the field are ignored.

|         |     |     |     |           |     |             |    |  |      |    |  |          |   |  |   |
|---------|-----|-----|-----|-----------|-----|-------------|----|--|------|----|--|----------|---|--|---|
|         | 31  | 30  | 29  | 28        | 24  | 23          | 22 |  | 16   | 15 |  | 8        | 7 |  | 0 |
| Command | DID | EMD | DCS | Device ID | R/W | Register ID |    |  | Data |    |  | Not Used |   |  |   |

**Bit 31: Device ID enable flag**

The DSD1796 operates to get its own device ID for TDMCA initialization if this bit is HIGH.

**Bit 30: Extended command enable flag**

EMD packet is transferred if this bit is HIGH, otherwise skipped. Once this bit is HIGH, this frame does not contain any audio data. This is for system initialization.

**Bit 29: Daisy chain selection flag**

HIGH designates OUT-chain devices, LOW designates IN-chain devices. The DSD1796 is an IN device, so the DCS bit must be set to LOW.

**Bits[28:24]: Device ID.**

The device ID is 5 bits length, and it can be defined. These bits identify the order of a device in the IN or OUT daisy chain. The top of the daisy chain defines device ID 1 and successive devices are numbered 2, 3, 4, etc. All devices for which the DCI is fixed HIGH are also defined as ID 1. The maximum device ID is 30 each in the IN and OUT chains. If a device ID of 0x1F is used, all devices are selected as broadcast when in the write mode. If a device ID of 0x00 is used, no device is selected.

**Bit 23: Command Read/Write flag**

If this bit is HIGH, the command is a read operation.

**Bits[22:16]: Register ID**

It is 7 bits in length.

**Bits[15:8]: Command data**

It is 8 bits in length. Any valid data can be chosen for each register.

**Bits[7:0]: Not used**

These bits are never transported when a read operation is performed.

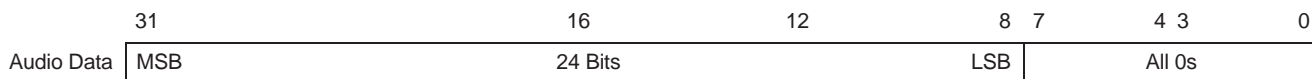
**Extended command field**

The extended command field is the same as the command field, except that it does not have a DID flag.

|                  |      |     |     |           |     |             |    |  |      |    |  |          |   |  |   |
|------------------|------|-----|-----|-----------|-----|-------------|----|--|------|----|--|----------|---|--|---|
|                  | 31   | 30  | 29  | 28        | 24  | 23          | 22 |  | 16   | 15 |  | 8        | 7 |  | 0 |
| Extended Command | Rsvd | EMD | DCS | Device ID | R/W | Register ID |    |  | Data |    |  | Not Used |   |  |   |

### Audio Fields

The audio field is 32 bits in length and the audio data is transferred MSB first, so the other fields must be stuffed with 0s as shown in the following example.

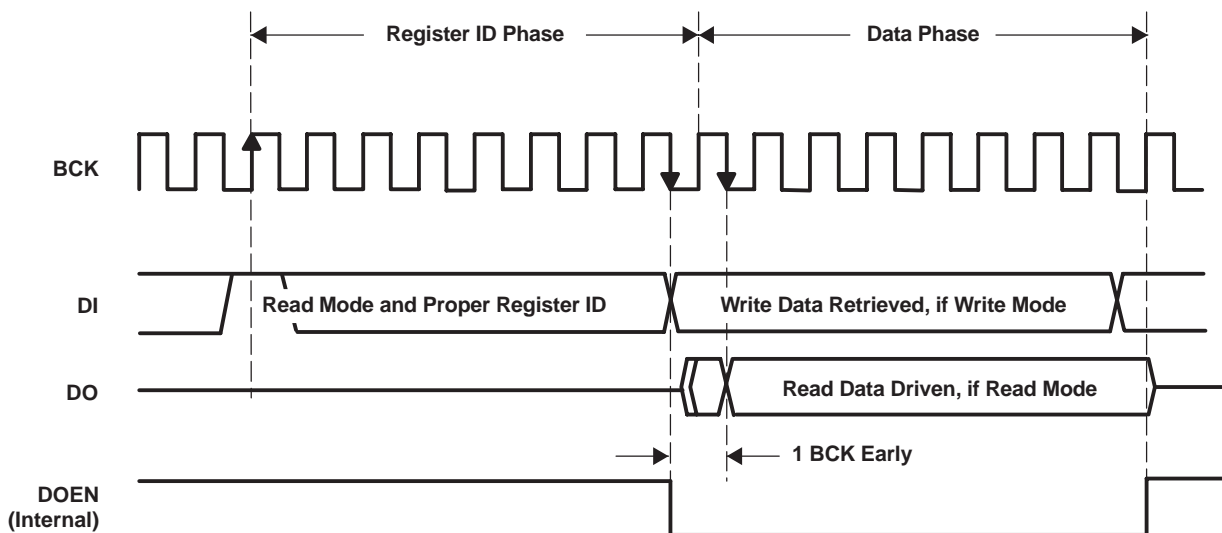


### TDMCA Register Requirements

TDMCA mode requires device ID and audio channel information, previously described. The OPE bit in register 19 indicates audio channel availability and register 23 indicates the device ID. Register 23 is used only in the TDMCA mode. See the mode control register map (Table 3).

### Register Write/Read Operation

The command supports register write and read operations. If the command requests to read one register, the read data is transferred on DO during the data phase of the timing cycle. The DI signal can be retrieved at the positive edge of BCK, and the DO signal is driven at the negative edge of BCK. DO is activated one BCK cycle early to compensate for the output delay caused by high impedance. Figure 55 shows the TDMCA write and read timing.



**Figure 55. TDMCA Write and Read Operation Timing**

### TDMCA Mode Operation

DCO specifies the owner of the next audio channel in TDMCA mode operation. When a device retrieves its own audio channel data, DCO goes HIGH during the last audio channel period. Figure 56 shows the DCO output timing in TDMCA mode operation. The host controller ignores the behavior of DCI and DCO. DCO indicates the last audio channel of each device. Therefore, DCI means the next audio channel is allocated.

If some devices are skipped due to no active audio channel, the skipped devices must notify the next device that the DCO will be passed through the next DCI. Figure 57 and Figure 58 show DCO timing with skip operation. Figure 59 shows the ac timing of the daisy chain signals.

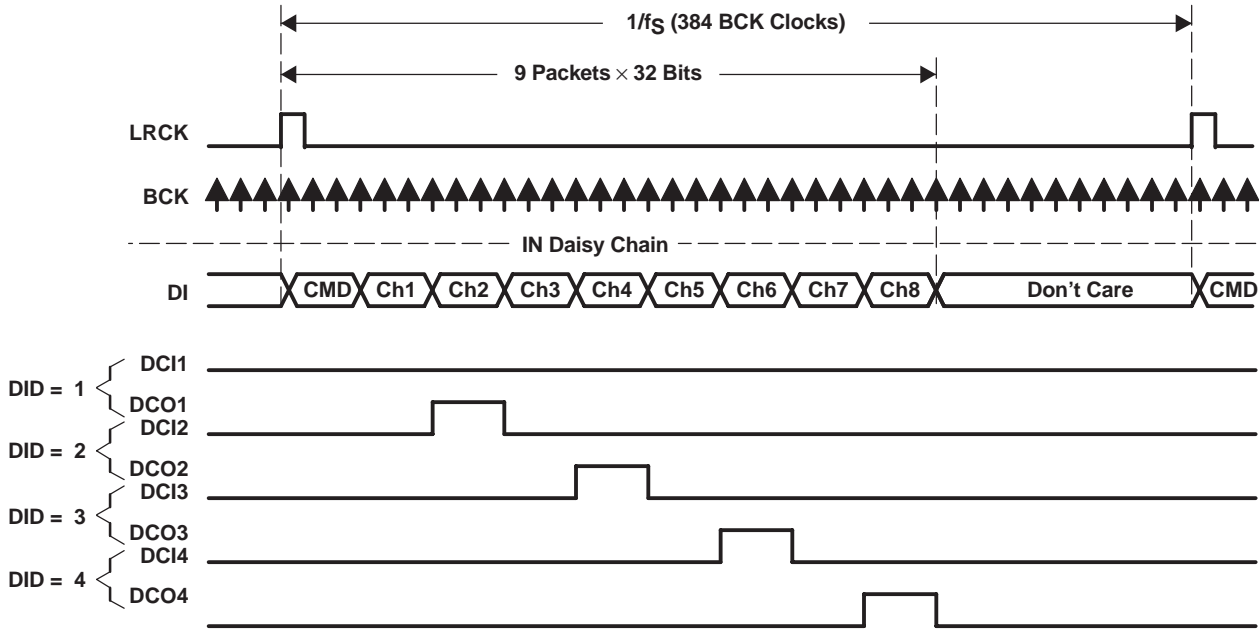


Figure 56. DCO Output Timing of TDMCA Mode Operation

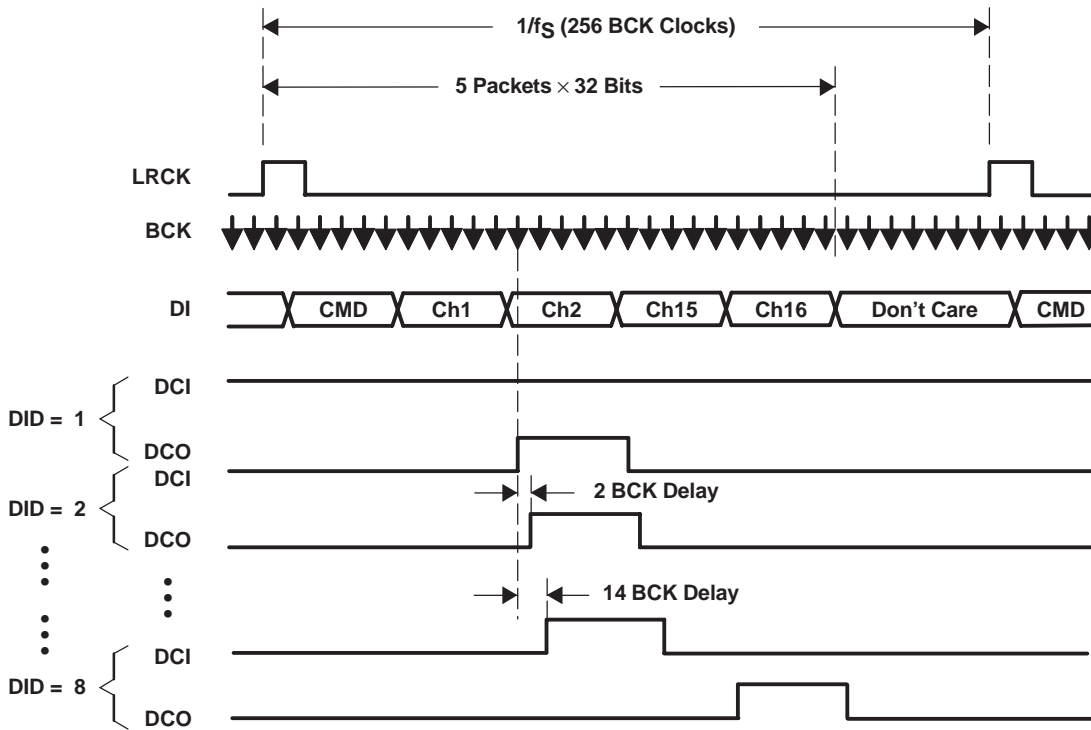


Figure 57. DCO Output Timing With Skip Operation



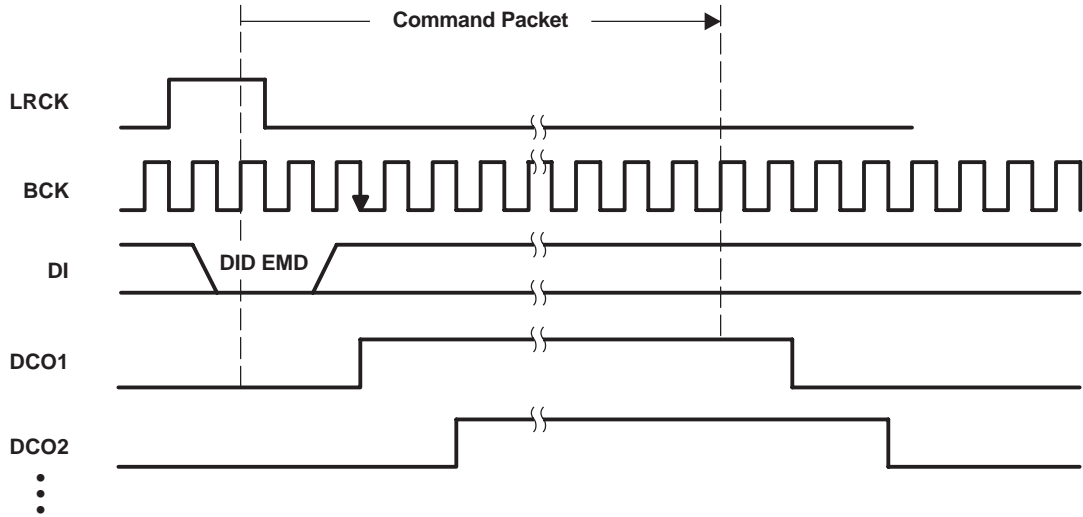
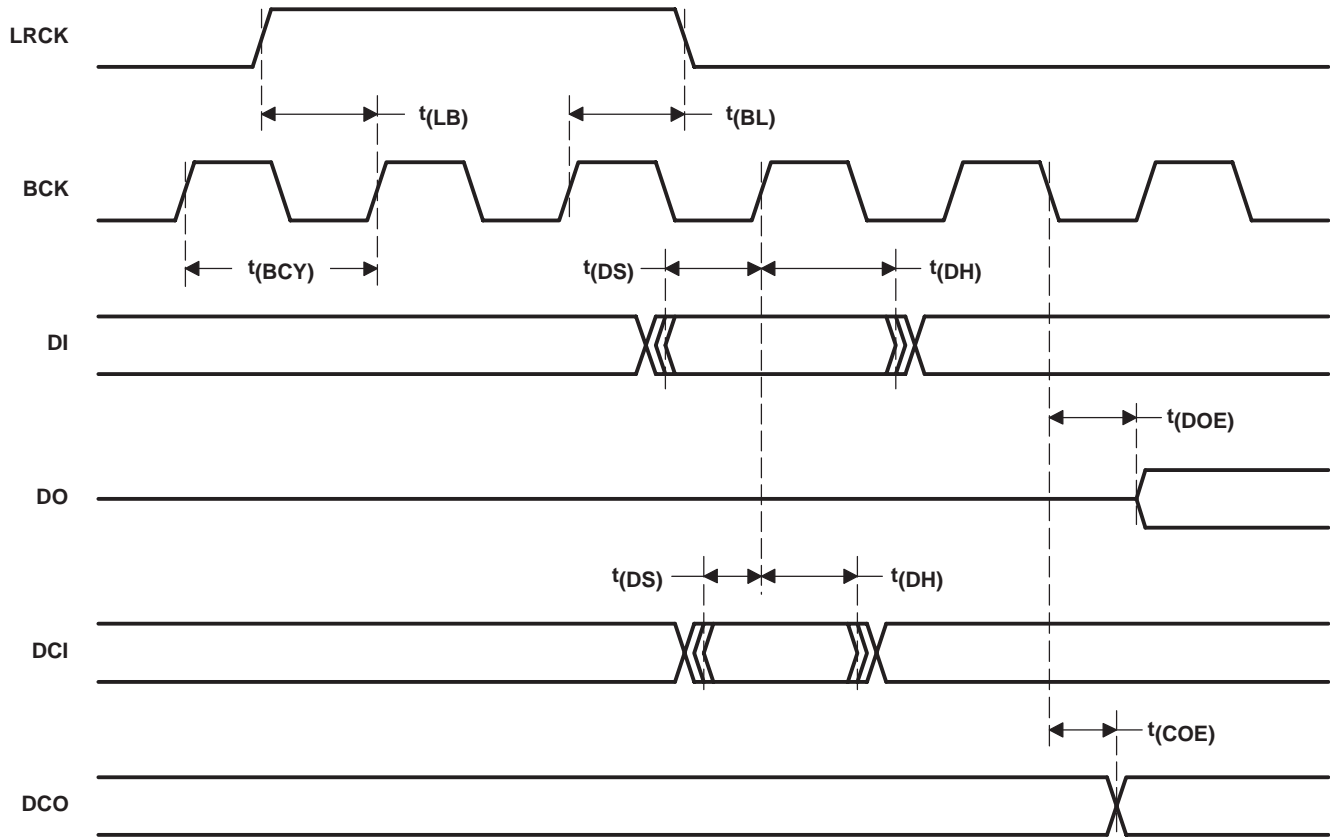


Figure 58. DCO Output Timing With Skip Operation (for Command Packet 1)



| PARAMETER                                | MIN | MAX | UNITS |
|--|-----|-----|-------|
| $t(BCY)$ BCK pulse cycle time            | 20  |     | ns    |
| $t(LB)$ LRCK setup time                  | 0   |     | ns    |
| $t(BL)$ LRCK hold time                   | 3   |     | ns    |
| $t(DS)$ DI setup time                    | 0   |     | ns    |
| $t(DH)$ DI hold time                     | 3   |     | ns    |
| $t(DS)$ DCI setup time                   | 0   |     | ns    |
| $t(DH)$ DCI hold time                    | 3   |     | ns    |
| $t(DOE)$ DO output delay <sup>(1)</sup>  |     | 8   | ns    |
| $t(COE)$ DCO output delay <sup>(1)</sup> |     | 6   | ns    |

<sup>(1)</sup> Load capacitance is 10 pF.

Figure 59. AC Timing of Daisy Chain Signals

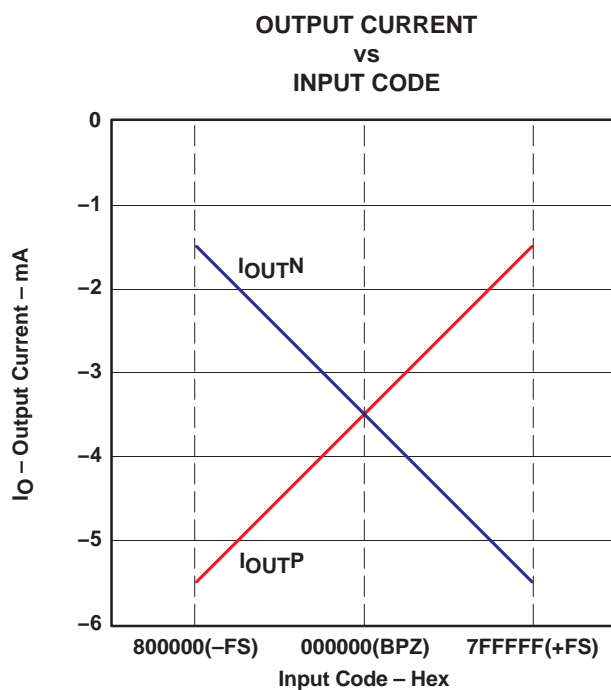
## ANALOG OUTPUT

Table 5 and Figure 60 show the relationship between the digital input code and analog output.

**Table 5. Analog Output Current and Voltage**

|                 | 800000 (-FS) | 000000 (BPZ) | 7FFFFFFF (+FS) |
|-----------------|--------------|--------------|----------------|
| $I_{OUTN}$ [mA] | -1.5         | -3.5         | -5.5           |
| $I_{OUTP}$ [mA] | -5.5         | -3.5         | -1.5           |
| $V_{OUTN}$ [V]  | -1.23        | -2.87        | -4.51          |
| $V_{OUTP}$ [V]  | -4.51        | -2.87        | -1.23          |
| $V_{OUT}$ [V]   | -2.98        | 0            | 2.98           |

NOTE:  $V_{OUTN}$  is the output of U1,  $V_{OUTP}$  is the output of U2, and  $V_{OUT}$  is the output of U3 in the measurement circuit of Figure 32.



**Figure 60. The Relationship Between Digital Input and Analog Output**

**PACKAGING INFORMATION**

| Orderable Device | Status <sup>(1)</sup> | Package Type | Package Drawing | Pins | Package Qty | Eco Plan <sup>(2)</sup> | Lead/Ball Finish | MSL Peak Temp <sup>(3)</sup> |
|------------------|-----------------------|--------------|-----------------|------|-------------|-------------------------|------------------|------------------------------|
| DSD1796DB        | ACTIVE                | SSOP         | DB              | 28   | 47          | Green (RoHS & no Sb/Br) | CU NIPDAU        | Level-1-260C-UNLIM           |
| DSD1796DBG4      | ACTIVE                | SSOP         | DB              | 28   | 47          | Green (RoHS & no Sb/Br) | CU NIPDAU        | Level-1-260C-UNLIM           |
| DSD1796DBR       | ACTIVE                | SSOP         | DB              | 28   | 2000        | Green (RoHS & no Sb/Br) | CU NIPDAU        | Level-1-260C-UNLIM           |
| DSD1796DBRG4     | ACTIVE                | SSOP         | DB              | 28   | 2000        | Green (RoHS & no Sb/Br) | CU NIPDAU        | Level-1-260C-UNLIM           |

<sup>(1)</sup> The marketing status values are defined as follows:

**ACTIVE:** Product device recommended for new designs.

**LIFEBUY:** TI has announced that the device will be discontinued, and a lifetime-buy period is in effect.

**NRND:** Not recommended for new designs. Device is in production to support existing customers, but TI does not recommend using this part in a new design.

**PREVIEW:** Device has been announced but is not in production. Samples may or may not be available.

**OBSOLETE:** TI has discontinued the production of the device.

<sup>(2)</sup> Eco Plan - The planned eco-friendly classification: Pb-Free (RoHS), Pb-Free (RoHS Exempt), or Green (RoHS & no Sb/Br) - please check <http://www.ti.com/productcontent> for the latest availability information and additional product content details.

**TBD:** The Pb-Free/Green conversion plan has not been defined.

**Pb-Free (RoHS):** TI's terms "Lead-Free" or "Pb-Free" mean semiconductor products that are compatible with the current RoHS requirements for all 6 substances, including the requirement that lead not exceed 0.1% by weight in homogeneous materials. Where designed to be soldered at high temperatures, TI Pb-Free products are suitable for use in specified lead-free processes.

**Pb-Free (RoHS Exempt):** This component has a RoHS exemption for either 1) lead-based flip-chip solder bumps used between the die and package, or 2) lead-based die adhesive used between the die and leadframe. The component is otherwise considered Pb-Free (RoHS compatible) as defined above.

**Green (RoHS & no Sb/Br):** TI defines "Green" to mean Pb-Free (RoHS compatible), and free of Bromine (Br) and Antimony (Sb) based flame retardants (Br or Sb do not exceed 0.1% by weight in homogeneous material)

<sup>(3)</sup> MSL, Peak Temp. -- The Moisture Sensitivity Level rating according to the JEDEC industry standard classifications, and peak solder temperature.

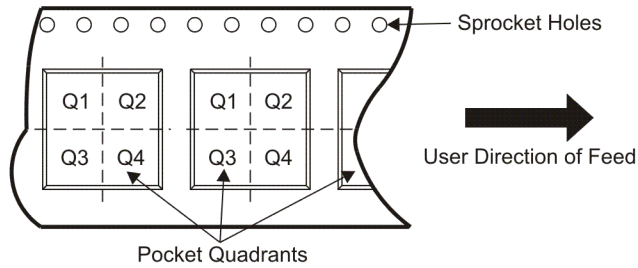
**Important Information and Disclaimer:**The information provided on this page represents TI's knowledge and belief as of the date that it is provided. TI bases its knowledge and belief on information provided by third parties, and makes no representation or warranty as to the accuracy of such information. Efforts are underway to better integrate information from third parties. TI has taken and continues to take reasonable steps to provide representative and accurate information but may not have conducted destructive testing or chemical analysis on incoming materials and chemicals. TI and TI suppliers consider certain information to be proprietary, and thus CAS numbers and other limited information may not be available for release.

In no event shall TI's liability arising out of such information exceed the total purchase price of the TI part(s) at issue in this document sold by TI to Customer on an annual basis.

**TAPE AND REEL INFORMATION**



**QUADRANT ASSIGNMENTS FOR PIN 1 ORIENTATION IN TAPE**



\*All dimensions are nominal

| Device     | Package Type | Package Drawing | Pins | SPQ  | Reel Diameter (mm) | Reel Width W1 (mm) | A0 (mm) | B0 (mm) | K0 (mm) | P1 (mm) | W (mm) | Pin1 Quadrant |
|------------|--------------|-----------------|------|------|--------------------|--------------------|---------|---------|---------|---------|--------|---------------|
| DSD1796DBR | SSOP         | DB              | 28   | 2000 | 330.0              | 17.4               | 8.5     | 10.8    | 2.4     | 12.0    | 16.0   | Q1            |

**TAPE AND REEL BOX DIMENSIONS**



\*All dimensions are nominal

| Device     | Package Type | Package Drawing | Pins | SPQ  | Length (mm) | Width (mm) | Height (mm) |
|------------|--------------|-----------------|------|------|-------------|------------|-------------|
| DSD1796DBR | SSOP         | DB              | 28   | 2000 | 336.6       | 336.6      | 28.6        |

DB (R-PDSO-G\*\*)

PLASTIC SMALL-OUTLINE

28 PINS SHOWN



- NOTES: A. All linear dimensions are in millimeters.  
 B. This drawing is subject to change without notice.  
 C. Body dimensions do not include mold flash or protrusion not to exceed 0,15.  
 D. Falls within JEDEC MO-150

**PACKAGING INFORMATION**

| Orderable Device | Status<br>(1) | Package Type | Package Drawing | Pins | Package Qty | Eco Plan<br>(2) | Lead finish/<br>Ball material<br>(6) | MSL Peak Temp<br>(3) | Op Temp (°C) | Device Marking<br>(4/5) | Samples                 |
|------------------|---------------|--------------|-----------------|------|-------------|-----------------|--------------------------------------|----------------------|--------------|-------------------------|-------------------------|
| DSD1796DB        | ACTIVE        | SSOP         | DB              | 28   | 47          | RoHS & Green    | Call TI   NIPDAU                     | Level-1-260C-UNLIM   | -25 to -40   | DSD1796                 | <a href="#">Samples</a> |
| DSD1796DBR       | ACTIVE        | SSOP         | DB              | 28   | 2000        | RoHS & Green    | Call TI   NIPDAU                     | Level-1-260C-UNLIM   | -25 to -40   | DSD1796                 | <a href="#">Samples</a> |

(1) The marketing status values are defined as follows:

**ACTIVE:** Product device recommended for new designs.

**LIFEBUY:** TI has announced that the device will be discontinued, and a lifetime-buy period is in effect.

**NRND:** Not recommended for new designs. Device is in production to support existing customers, but TI does not recommend using this part in a new design.

**PREVIEW:** Device has been announced but is not in production. Samples may or may not be available.

**OBSOLETE:** TI has discontinued the production of the device.

(2) **RoHS:** TI defines "RoHS" to mean semiconductor products that are compliant with the current EU RoHS requirements for all 10 RoHS substances, including the requirement that RoHS substance do not exceed 0.1% by weight in homogeneous materials. Where designed to be soldered at high temperatures, "RoHS" products are suitable for use in specified lead-free processes. TI may reference these types of products as "Pb-Free".

**RoHS Exempt:** TI defines "RoHS Exempt" to mean products that contain lead but are compliant with EU RoHS pursuant to a specific EU RoHS exemption.

**Green:** TI defines "Green" to mean the content of Chlorine (Cl) and Bromine (Br) based flame retardants meet JS709B low halogen requirements of <=1000ppm threshold. Antimony trioxide based flame retardants must also meet the <=1000ppm threshold requirement.

(3) MSL, Peak Temp. - The Moisture Sensitivity Level rating according to the JEDEC industry standard classifications, and peak solder temperature.

(4) There may be additional marking, which relates to the logo, the lot trace code information, or the environmental category on the device.

(5) Multiple Device Markings will be inside parentheses. Only one Device Marking contained in parentheses and separated by a "~" will appear on a device. If a line is indented then it is a continuation of the previous line and the two combined represent the entire Device Marking for that device.

(6) Lead finish/Ball material - Orderable Devices may have multiple material finish options. Finish options are separated by a vertical ruled line. Lead finish/Ball material values may wrap to two lines if the finish value exceeds the maximum column width.

**Important Information and Disclaimer:**The information provided on this page represents TI's knowledge and belief as of the date that it is provided. TI bases its knowledge and belief on information provided by third parties, and makes no representation or warranty as to the accuracy of such information. Efforts are underway to better integrate information from third parties. TI has taken and continues to take reasonable steps to provide representative and accurate information but may not have conducted destructive testing or chemical analysis on incoming materials and chemicals. TI and TI suppliers consider certain information to be proprietary, and thus CAS numbers and other limited information may not be available for release.

In no event shall TI's liability arising out of such information exceed the total purchase price of the TI part(s) at issue in this document sold by TI to Customer on an annual basis.





**TAPE AND REEL INFORMATION**

**QUADRANT ASSIGNMENTS FOR PIN 1 ORIENTATION IN TAPE**


\*All dimensions are nominal

| Device     | Package Type | Package Drawing | Pins | SPQ  | Reel Diameter (mm) | Reel Width W1 (mm) | A0 (mm) | B0 (mm) | K0 (mm) | P1 (mm) | W (mm) | Pin1 Quadrant |
|------------|--------------|-----------------|------|------|--------------------|--------------------|---------|---------|---------|---------|--------|---------------|
| DSD1796DBR | SSOP         | DB              | 28   | 2000 | 330.0              | 17.4               | 8.5     | 10.8    | 2.4     | 12.0    | 16.0   | Q1            |
| DSD1796DBR | SSOP         | DB              | 28   | 2000 | 330.0              | 16.4               | 8.2     | 10.5    | 2.5     | 12.0    | 16.0   | Q1            |

**TAPE AND REEL BOX DIMENSIONS**


\*All dimensions are nominal

| Device     | Package Type | Package Drawing | Pins | SPQ  | Length (mm) | Width (mm) | Height (mm) |
|------------|--------------|-----------------|------|------|-------------|------------|-------------|
| DSD1796DBR | SSOP         | DB              | 28   | 2000 | 336.6       | 336.6      | 28.6        |
| DSD1796DBR | SSOP         | DB              | 28   | 2000 | 356.0       | 356.0      | 35.0        |

**TUBE**


\*All dimensions are nominal

| Device     | Package Name | Package Type | Pins | SPQ  | L (mm) | W (mm) | T (μm) | B (mm) |
|------------|--------------|--------------|------|------|--------|--------|--------|--------|
| DSD1796DB  | DB           | SSOP         | 28   | 47   | 530    | 10.5   | 4000   | 4.1    |
| DSD1796DB  | DB           | SSOP         | 28   | 47   | 530    | 10.5   | 4000   | 4.1    |
| DSD1796DB  | DB           | SSOP         | 28   | 47   | 500    | 10.6   | 500    | 9.6    |
| DSD1796DBR | DB           | SSOP         | 28   | 2000 | 500    | 10.6   | 500    | 9.6    |



4214853/B 03/2018

NOTES:

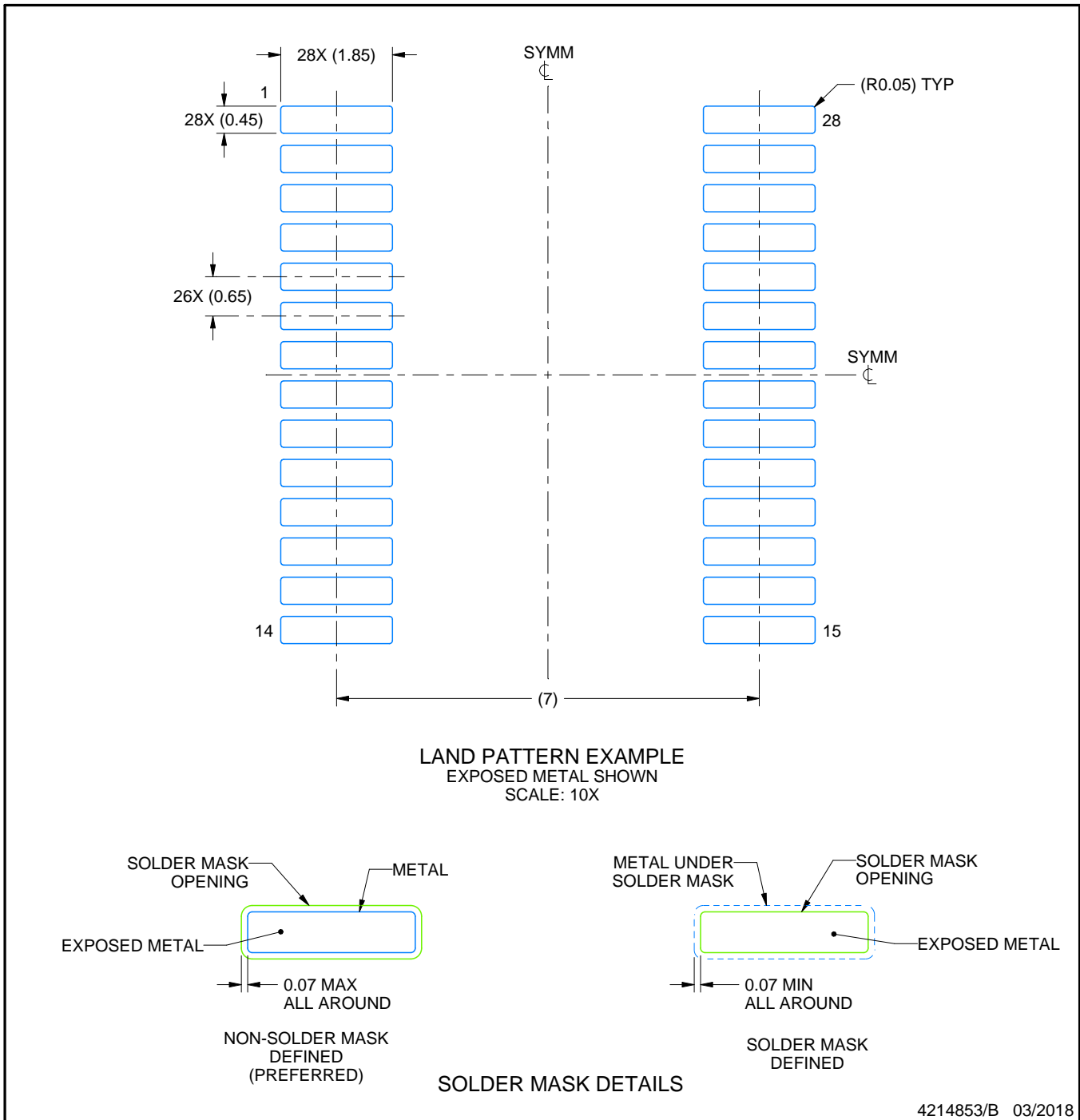
1. All linear dimensions are in millimeters. Any dimensions in parenthesis are for reference only. Dimensioning and tolerancing per ASME Y14.5M.
2. This drawing is subject to change without notice.
3. This dimension does not include mold flash, protrusions, or gate burrs. Mold flash, protrusions, or gate burrs shall not exceed 0.15 mm per side.
4. This dimension does not include interlead flash. Interlead flash shall not exceed 0.25 mm per side.
5. Reference JEDEC registration MO-150.

# EXAMPLE BOARD LAYOUT

DB0028A

SSOP - 2 mm max height

SMALL OUTLINE PACKAGE



NOTES: (continued)

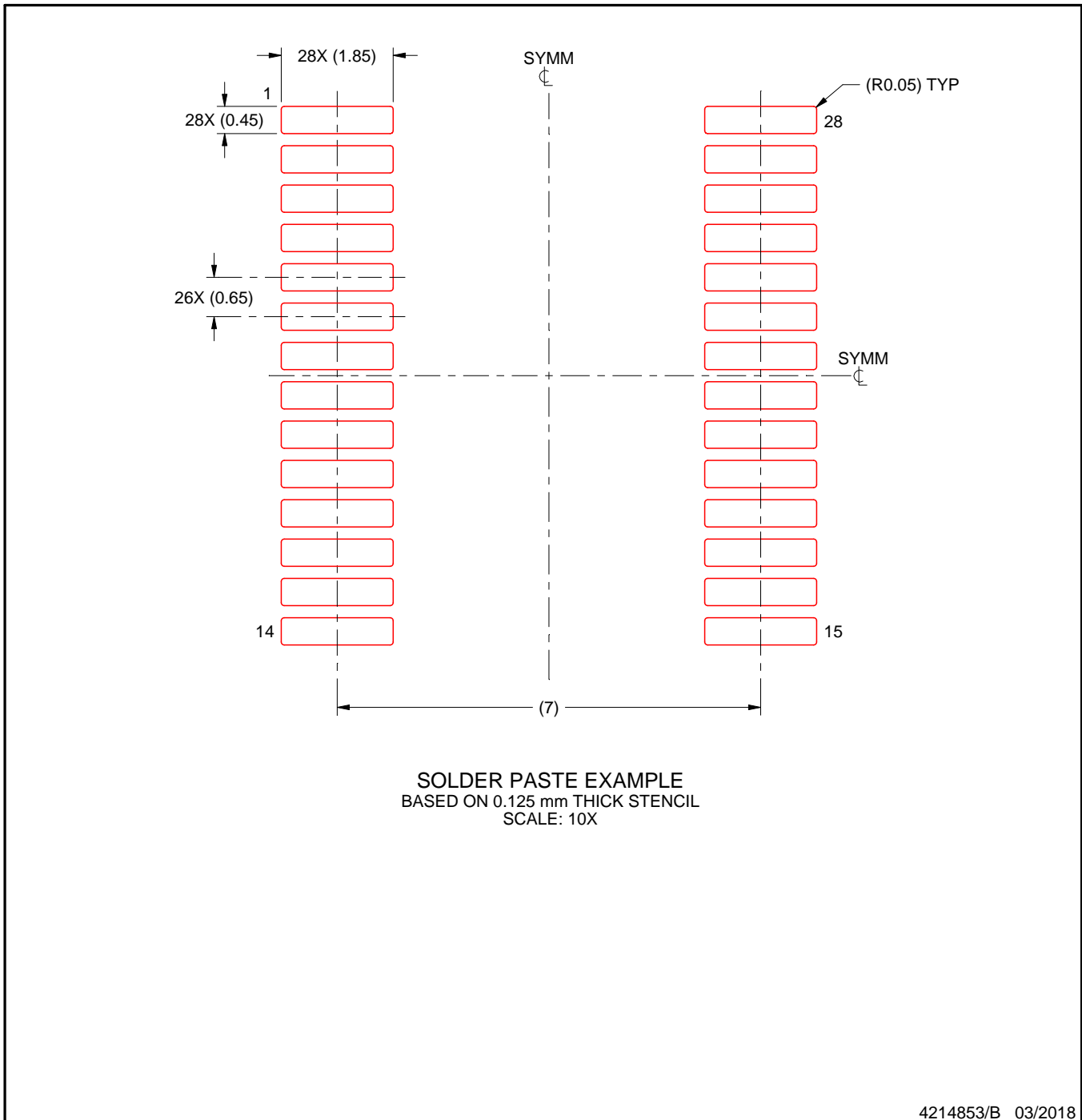
- 6. Publication IPC-7351 may have alternate designs.
- 7. Solder mask tolerances between and around signal pads can vary based on board fabrication site.

# EXAMPLE STENCIL DESIGN

DB0028A

SSOP - 2 mm max height

SMALL OUTLINE PACKAGE



NOTES: (continued)

8. Laser cutting apertures with trapezoidal walls and rounded corners may offer better paste release. IPC-7525 may have alternate design recommendations.
9. Board assembly site may have different recommendations for stencil design.

## IMPORTANT NOTICE AND DISCLAIMER

TI PROVIDES TECHNICAL AND RELIABILITY DATA (INCLUDING DATA SHEETS), DESIGN RESOURCES (INCLUDING REFERENCE DESIGNS), APPLICATION OR OTHER DESIGN ADVICE, WEB TOOLS, SAFETY INFORMATION, AND OTHER RESOURCES "AS IS" AND WITH ALL FAULTS, AND DISCLAIMS ALL WARRANTIES, EXPRESS AND IMPLIED, INCLUDING WITHOUT LIMITATION ANY IMPLIED WARRANTIES OF MERCHANTABILITY, FITNESS FOR A PARTICULAR PURPOSE OR NON-INFRINGEMENT OF THIRD PARTY INTELLECTUAL PROPERTY RIGHTS.

These resources are intended for skilled developers designing with TI products. You are solely responsible for (1) selecting the appropriate TI products for your application, (2) designing, validating and testing your application, and (3) ensuring your application meets applicable standards, and any other safety, security, regulatory or other requirements.

These resources are subject to change without notice. TI grants you permission to use these resources only for development of an application that uses the TI products described in the resource. Other reproduction and display of these resources is prohibited. No license is granted to any other TI intellectual property right or to any third party intellectual property right. TI disclaims responsibility for, and you will fully indemnify TI and its representatives against, any claims, damages, costs, losses, and liabilities arising out of your use of these resources.

TI's products are provided subject to [TI's Terms of Sale](#) or other applicable terms available either on [ti.com](https://www.ti.com) or provided in conjunction with such TI products. TI's provision of these resources does not expand or otherwise alter TI's applicable warranties or warranty disclaimers for TI products.

TI objects to and rejects any additional or different terms you may have proposed.

Mailing Address: Texas Instruments, Post Office Box 655303, Dallas, Texas 75265  
Copyright © 2025, Texas Instruments Incorporated