

# SN74LV4T125 具有三态输出 CMOS 逻辑电平转换器的单电源四路缓冲器转换器

## 1 特性

- $V_{CC}$  为 5V、3.3V、2.5V 和 1.8V 的单电源电压转换器
- 工作电压范围为 1.8V 至 5.5V
- 升压转换
  - 1.8V  $V_{CC}$  时, 1.2V<sup>(1)</sup> 至 1.8V
  - 2.5V  $V_{CC}$  时, 1.5V<sup>(1)</sup> 至 2.5V
  - 3.3V  $V_{CC}$  时, 1.8V<sup>(1)</sup> 至 3.3V
  - 5.0V  $V_{CC}$  时, 3.3V 至 5.0V
- 降压转换
  - 1.8V  $V_{CC}$  时, 3.3V 至 1.8V
  - 2.5V  $V_{CC}$  时, 3.3V 至 2.5V
  - 3.3V  $V_{CC}$  时, 5.0V 至 3.3V
- 逻辑输出以  $V_{CC}$  为基准
- $V_{CC}$  为 3.3V 时, 频率高达 50MHz
- 输入引脚可耐受 5.5V 电压
- -40°C 至 125°C 工作温度范围
- 可提供无铅封装: SC-70 (RGY)
  - 3.5 × 3.5 × 1mm
- 闩锁性能超过 250mA, 符合 JESD 17 规范
- 支持标准逻辑引脚排列
- $I_{off}$  支持局部关断模式运行
- 与 AUP125、LVC125 兼容的 CMOS 输出 B<sup>1</sup>

## 2 应用范围

- 平板电脑
- 智能手机
- 个人计算机
- 工业汽车应用

## 3 说明

SN74LV4T125 是一款具有较宽电压范围的低压 CMOS 缓冲门逻辑器件, 用于便携式、电信、工业和汽车应用。输出电平以电源电压为基准, 并且能够支持 1.8V、2.5V、3.3V 和 5V CMOS 电平。

该输入采用较低阈值电路设计, 可匹配  $V_{CC} = 3.3V$  时的 1.8V 输入逻辑电平, 并且可用于 1.8V 至 3.3V 升压转换。此外, 5V 耐压输入引脚可实现降压转换 (例如, 在  $V_{CC} = 2.5V$  时, 从 3.3V 输入至 2.5V 输出)。1.8V 至 5.5V 的宽  $V_{CC}$  范围使生成的所需输出电平能够连接至控制器或处理器。

SN74LV4T125 器件的设计电流驱动能力为 8mA, 能减少由高驱动输出导致的线路反射、过冲和下冲。

### 器件信息

| 器件型号 <sup>(1)</sup> | 封装             | 封装尺寸 (标称值)      |
|---------------------|----------------|-----------------|
| SN74LV4T125         | PW (TSSOP, 14) | 5.00mm x 4.40mm |
|                     | RGY (VQFN, 14) | 3.50mm x 3.50mm |

(1) 如需了解所有可用封装, 请参阅数据表末尾的可订购产品附录。

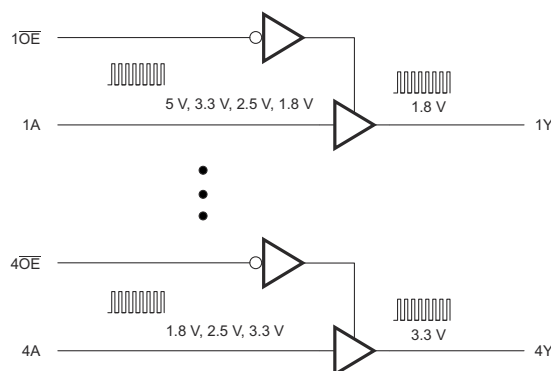


图 3-1. 简化版应用示意图

<sup>1</sup> 请参考较低  $V_{CC}$  条件下的  $V_{IH}/V_{IL}$  和输出驱动。



## Table of Contents

|  |    |  |    |
|--|----|--|----|
| <b>1 特性</b> .....                                | 1  | 8.2 Functional Block Diagram.....                                | 10 |
| <b>2 应用范围</b> .....                              | 1  | 8.3 Feature Description.....                                     | 10 |
| <b>3 说明</b> .....                                | 1  | 8.4 Device Functional Modes.....                                 | 11 |
| <b>4 Revision History</b> .....                  | 2  | <b>9 Applications and Implementation</b> .....                   | 12 |
| <b>5 Pin Configuration and Functions</b> .....   | 3  | 9.1 Application Information.....                                 | 12 |
| Pin Functions.....                               | 3  | 9.2 Typical Application.....                                     | 12 |
| <b>6 Specifications</b> .....                    | 4  | <b>10 Power Supply Recommendations</b> .....                     | 13 |
| 6.1 Absolute Maximum Ratings.....                | 4  | <b>11 Layout</b> .....   | 14 |
| 6.2 ESD Ratings.....                             | 4  | 11.1 Layout Guidelines.....                                      | 14 |
| 6.3 Recommended Operating Conditions.....        | 5  | 11.2 Layout Example.....   | 14 |
| 6.4 Thermal Information.....                     | 5  | <b>12 Device and Documentation Support</b> .....                 | 15 |
| 6.5 Electrical Characteristics.....              | 6  | 12.1 Documentation Support.....                                  | 15 |
| 6.6 Switching Characteristics.....               | 7  | 12.2 接收文档更新通知.....   | 15 |
| 6.7 Noise Characteristics.....                   | 8  | 12.3 支持资源.....   | 15 |
| 6.8 Operating Characteristics.....               | 8  | 12.4 Trademarks.....   | 15 |
| 6.9 Typical Characteristics.....                 | 8  | 12.5 Electrostatic Discharge Caution.....                        | 15 |
| <b>7 Parameter Measurement Information</b> ..... | 9  | 12.6 术语表.....  | 15 |
| <b>8 Detailed Description</b> .....              | 10 | <b>13 Mechanical, Packaging, and Orderable Information</b> ..... | 15 |
| 8.1 Overview.....                                | 10 |  |    |

## 4 Revision History

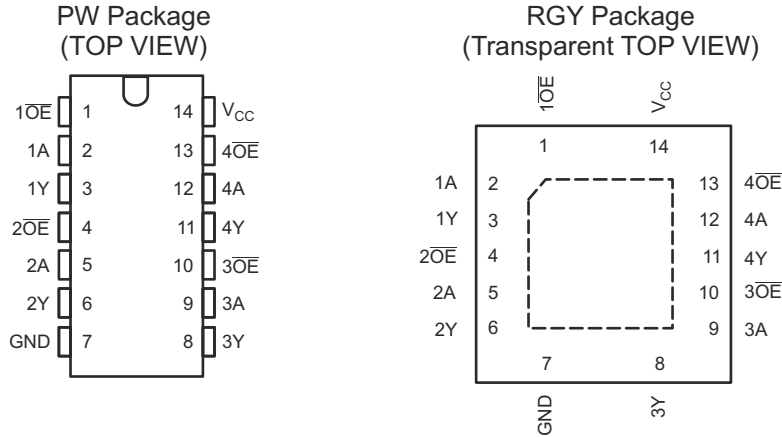
注：以前版本的页码可能与当前版本的页码不同

| <b>Changes from Revision B (March 2014) to Revision C (June 2022)</b> | <b>Page</b> |
|---|-------------|
| • 向“特性”部分添加了“ $I_{off}$ 支持局部关断模式运行”.....                              | 1           |
| • 更新了整个文档中的表格、图和交叉参考的编号格式。.....                                       | 1           |
| • 添加了“ESD 等级”表、“接收文档更新通知”部分和“支持资源”部分.....                             | 1           |

| <b>Changes from Revision A (March 2014) to Revision B (September 2014)</b>  | <b>Page</b> |
|---|-------------|
| • 更新了“特性”.....  | 1           |
| • Updated Pin Functions table. ....   | 3           |
| • Added ESD Ratings table, Thermal Information table, Typical Characteristics section, Pin Configuration and Functions section, Detailed Description section, Power Supply Recommendations section, Layout section, Receiving Notification of Documentation Updates section, and Community Resources section..... | 4           |
| • Updated Detailed Design Procedure section. ....   | 13          |

| <b>Changes from Revision * (February 2014) to Revision A (March 2014)</b> | <b>Page</b> |
|---|-------------|
| • 将第一页预览文档更新为完整版.....   | 1           |

## 5 Pin Configuration and Functions



## Pin Functions

| PIN |                   | TYPE (1) | DESCRIPTION |
|-----|-------------------|----------|-------------|
| NO. | NAME              |          |             |
| 1   | 1 $\overline{OE}$ | I        | Enable 1    |
| 2   | 1A                | I        | Input 1     |
| 3   | 1Y                | O        | Output 1    |
| 4   | 2 $\overline{OE}$ | I        | Enable 2    |
| 5   | 2A                | I        | Input 2     |
| 6   | 2Y                | O        | Output 2    |
| 7   | GND               | —        | Ground Pin  |
| 8   | 3Y                | O        | Output 3    |
| 9   | 3A                | I        | Input 3     |
| 10  | 3 $\overline{OE}$ | I        | Enable 3    |
| 11  | 4Y                | O        | Output 4    |
| 12  | 4A                | I        | Input 4     |
| 13  | 4 $\overline{OE}$ | I        | Enable 4    |
| 14  | V <sub>CC</sub>   | —        | Power Pin   |

(1) I = Input, O = Output, I/O = Input or Output, G = Ground, P = Power.

## 6 Specifications

### 6.1 Absolute Maximum Ratings

over operating free-air temperature range (unless otherwise noted)<sup>(1)</sup>

|                  |   | MIN  | MAX                   | UNIT |
|------------------|---|--|-----------------------|------|
| V <sub>CC</sub>  | Supply voltage range  | - 0.5  | 7.0                   | V    |
| V <sub>I</sub>   | Input voltage range <sup>(2)</sup>  | - 0.5  | 7.0                   | V    |
| V <sub>O</sub>   | Voltage range applied to any output in the high-impedance or power-off state <sup>(2)</sup> | - 0.5  | 4.6                   | V    |
|                  | Voltage range applied to any output in the high or low state <sup>(2)</sup>                 | - 0.5  | V <sub>CC</sub> + 0.5 |      |
| I <sub>IK</sub>  | Input clamp current   | V <sub>I</sub> < 0                                     | - 20                  | mA   |
| I <sub>OK</sub>  | Output clamp current  | V <sub>O</sub> < 0 or V <sub>O</sub> > V <sub>CC</sub> | ±50                   | mA   |
| I <sub>O</sub>   | Continuous output current   |  | ±35                   | mA   |
|                  | Continuous current through V <sub>CC</sub> or GND   |  | ±70                   | mA   |
| T <sub>J</sub>   | Junction temperature  |  | 150                   | °C   |
| T <sub>stg</sub> | Storage temperature   | - 65   | 150                   | °C   |

- (1) Stresses beyond those listed under *Absolute Maximum Ratings* may cause permanent damage to the device. These are stress ratings only, and functional operation of the device at these or any other conditions beyond those indicated under *Recommended Operating Conditions* is not implied. Exposure to absolute-maximum-rated conditions for extended periods may affect device reliability.
- (2) The input negative-voltage and output voltage ratings may be exceeded if the input and output current ratings are observed.

### 6.2 ESD Ratings

|   |   | VALUE | UNIT |
|---|---|-------|------|
| V <sub>(ESD)</sub>  | Electrostatic discharge   |       |      |
|   | Human-body model (HBM), per ANSI/ESDA/JEDEC JS-001 <sup>(1)</sup> | ±2000 | V    |
|   | Machine Model (MM), per JEDEC specification                       | ±200  |      |
| Charged-device model (CDM), per ANSI/ESDA/JEDEC JS-002 <sup>(2)</sup> | ±1000   |       |      |

- (1) JEDEC document JEP155 states that 500-V HBM allows safe manufacturing with a standard ESD control process.
- (2) JEDEC document JEP157 states that 250-V CDM allows safe manufacturing with a standard ESD control process.

### 6.3 Recommended Operating Conditions

over operating free-air temperature range (unless otherwise noted)<sup>(1)</sup>

|                 |                                    | MIN                              | MAX | UNIT            |      |
|-----------------|------------------------------------|----------------------------------|-----|-----------------|------|
| V <sub>CC</sub> | Supply voltage                     | 1.6                              | 5.5 | V               |      |
| V <sub>I</sub>  | Input voltage                      | 0                                | 5.5 | V               |      |
| V <sub>O</sub>  | Output voltage                     | High or Low State                | 0   | V <sub>CC</sub> | V    |
|                 |                                    | H-Z                              | 0   | V <sub>CC</sub> | V    |
| I <sub>OH</sub> | High-level output current          | V <sub>CC</sub> = 1.8 V          |     | -3              | mA   |
|                 |                                    | V <sub>CC</sub> = 2.5 V          |     | -5              |      |
|                 |                                    | V <sub>CC</sub> = 3.3 V          |     | -8              |      |
|                 |                                    | V <sub>CC</sub> = 5.0 V          |     | -16             |      |
| I <sub>OL</sub> | Low-level output current           | V <sub>CC</sub> = 1.8 V          |     | 3               | mA   |
|                 |                                    | V <sub>CC</sub> = 2.5 V          |     | 5               |      |
|                 |                                    | V <sub>CC</sub> = 3.3 V          |     | 8               |      |
|                 |                                    | V <sub>CC</sub> = 5.0 V          |     | 16              |      |
| Δt/Δv           | Input transition rise or fall rate | V <sub>CC</sub> = 1.6 V to 2.0 V |     | 20              | ns/V |
|                 |                                    | V <sub>CC</sub> = 2.3 V to 2.7 V |     | 20              |      |
|                 |                                    | V <sub>CC</sub> = 3 V or 3.6 V   |     | 20              |      |
|                 |                                    | V <sub>CC</sub> = 4.5 V to 5.0 V |     | 20              |      |
| T <sub>A</sub>  | Operating free-air temperature     | -40                              | 125 | °C              |      |

(1) All unused inputs of the device must be held at V<sub>CC</sub> or GND to ensure proper device operation. Refer to the TI application report, *Implications of Slow or Floating CMOS Inputs*, literature number [SCBA004](#).

### 6.4 Thermal Information

| THERMAL METRIC <sup>(1)</sup> | SN74LV4T125                                  |         | UNIT |      |
|-------------------------------|--|---------|------|------|
|                               | PW   | RGY     |      |      |
|                               | 14 PINS                                      | 14 PINS |      |      |
| R <sub>θJA</sub>              | Junction-to-ambient thermal resistance       | 126.9   | 52.9 | °C/W |
| R <sub>θJctop</sub>           | Junction-to-case (top) thermal resistance    | 54.2    | 67.8 |      |
| R <sub>θJB</sub>              | Junction-to-board thermal resistance         | 68.6    | 29.0 |      |
| ψ <sub>JT</sub>               | Junction-to-top characterization parameter   | 7.5     | 2.6  |      |
| ψ <sub>JB</sub>               | Junction-to-board characterization parameter | 68.0    | 29.1 |      |
| R <sub>θJCbot</sub>           | Junction-to-case (bottom) thermal resistance | —       | 9.3  |      |

(1) For more information about traditional and new thermal metrics, see the *IC Package Thermal Metrics* application report ([SPRA953](#)).

## 6.5 Electrical Characteristics

over recommended operating free-air temperature range (unless otherwise noted)

| PARAMETER                | TEST CONDITIONS                                 | V <sub>CC</sub>   | T <sub>A</sub> = 25°C                             |     |                        | T <sub>A</sub> = -40°C to 125°C |      | UNIT |    |
|--------------------------|---|---|---|-----|------------------------|---------------------------------|------|------|----|
|                          |   |   | MIN   | TYP | MAX                    | MIN                             | MAX  |      |    |
| V <sub>IH</sub>          | High-level input voltage                        | V <sub>CC</sub> = 1.65 V to 1.9 V   | 0.95  |     |                        | 1                               |      | V    |    |
|                          |   | V <sub>CC</sub> = 2.3 V to 2.7 V  | 1.1   |     |                        | 1.2                             |      |      |    |
|                          |   | V <sub>CC</sub> = 3 V to 3.6 V  | 1.3   |     |                        | 1.35                            |      |      |    |
|                          |   | V <sub>CC</sub> = 4.5 V to 5.0 V  | 2   |     |                        | 2                               |      |      |    |
| V <sub>IL</sub>          | Low-level input voltage                         | V <sub>CC</sub> = 1.65 V to 1.9 V   |   |     |                        | 0.55                            |      | V    |    |
|                          |   | V <sub>CC</sub> = 2.3 V to 2.77 V   |   |     |                        | 0.7                             |      |      |    |
|                          |   | V <sub>CC</sub> = 3 V to 3.6 V  |   |     |                        | 0.85                            |      |      |    |
|                          |   | V <sub>CC</sub> = 4.5 V to 5.5 V  |   |     |                        | 0.9                             |      |      |    |
| V <sub>OH</sub>          | High-level output voltage                       | I <sub>OH</sub> = -50 μA  | V <sub>CC</sub> = 1.65 V to 5.5 V                 |     | V <sub>CC</sub> - 0.1  |                                 | V    |      |    |
|                          |   | I <sub>OH</sub> = -2 mA   | V <sub>CC</sub> = 1.65 V                          |     | 1.4                    |                                 | 1.35 | V    |    |
|                          |   | I <sub>OH</sub> = -3 mA   | V <sub>CC</sub> = 2.3 V                           |     | 2.05                   |                                 | 2.0  |      | V  |
|                          |   | I <sub>OH</sub> = -5 mA   | V <sub>CC</sub> = 3.0 V                           |     | 2.7                    |                                 | 2.6  |      | V  |
|                          |   | I <sub>OH</sub> = -8 mA   |   |     | 2.6                    |                                 | 2.5  |      |    |
|                          |   | I <sub>OH</sub> = -8 mA   | V <sub>CC</sub> = 4.5 V                           |     | 3.7                    |                                 | 3.6  |      | V  |
|                          |   | I <sub>OH</sub> = -16 mA  |   |     | 3.8                    |                                 | 3.7  |      |    |
| I <sub>OH</sub> = -16 mA | V <sub>CC</sub> = 5.0 V                         |   | 4.4   |     | 4.3                    |                                 | V    |      |    |
| V <sub>OL</sub>          | Low-level output voltage                        | I <sub>OL</sub> = 50 μA   | V <sub>CC</sub> = 1.65 V to 5.5 V                 |     | 0.1                    |                                 | 0.1  |      | V  |
|                          |   | I <sub>OH</sub> = 2 mA  | V <sub>CC</sub> = 1.65 V                          |     | 0.1                    |                                 | 0.1  |      | V  |
|                          |   |   | V <sub>CC</sub> = 1.8 V                           |     | 0.2                    |                                 | 0.3  |      |    |
|                          |   | I <sub>OH</sub> = 3 mA  | V <sub>CC</sub> = 2.3 V                           |     | 0.2                    |                                 | 0.3  |      | V  |
|                          |   |   | V <sub>CC</sub> = 2.5 V                           |     | 0.25                   |                                 | 0.3  |      |    |
|                          |   | I <sub>OH</sub> = 5 mA  | V <sub>CC</sub> = 3.0 V                           |     | 0.35                   |                                 | 0.4  |      | V  |
|                          |   |   |   |     | I <sub>OH</sub> = 8 mA |                                 | 0.4  |      |    |
|                          |   | I <sub>OH</sub> = 8 mA  | V <sub>CC</sub> = 3.3 V                           |     | 0.45                   |                                 | 0.5  |      | V  |
|                          |   |   | V <sub>CC</sub> = 4.5 V                           |     | 0.50                   |                                 | 0.55 |      |    |
| I <sub>OH</sub> = 16 mA  | V <sub>CC</sub> = 5.0 V                         |   | 0.55  |     | 0.55                   |                                 | V    |      |    |
|                          |   |   | 0.55  |     | 0.55                   |                                 |      |      |    |
| I <sub>I</sub>           | Input leakage current                           | V <sub>I</sub> = 0 V or V <sub>CC</sub>   | V <sub>CC</sub> = 0 V, 1.8 V, 2.5 V, 3.3 V, 5.5 V |     | ±0.1                   |                                 | ±1   |      | μA |
| I <sub>CC</sub>          | Static supply current                           | V <sub>I</sub> = 0 V or V <sub>CC</sub> ,<br>I <sub>O</sub> = 0; open on loading            | V <sub>CC</sub> = 5.0 V                           |     | 2                      |                                 | 20   |      | μA |
|                          |   |   | V <sub>CC</sub> = 3.3 V                           |     | 2                      |                                 | 20   |      |    |
|                          |   |   | V <sub>CC</sub> = 2.5 V                           |     | 2                      |                                 | 20   |      |    |
|                          |   |   | V <sub>CC</sub> = 1.8 V                           |     | 2                      |                                 | 20   |      |    |
| ΔI <sub>CC</sub>         | Additional static supply current                | One input at 0.3 V or 3.4 V<br>Other inputs at 0 or V <sub>CC</sub> ,<br>I <sub>O</sub> = 0 | V <sub>CC</sub> = 5.5 V                           |     | 1.35                   |                                 | 1.5  |      | μA |
|                          |   | One input at 0.3 V or 1.1 V<br>Other inputs at 0 or V <sub>CC</sub> ,<br>I <sub>O</sub> = 0 | V <sub>CC</sub> = 1.8 V                           |     |                        |                                 |      |      |    |
| I <sub>OZ</sub>          | Off-state (High Impedance State) Output Current | V <sub>O</sub> = V <sub>CC</sub> or GND   | V <sub>CC</sub> = 5.5 V                           |     | ±0.25                  |                                 | ±2.5 |      | μA |
| I <sub>off</sub>         | Partial power down current                      | V <sub>O</sub> or V <sub>I</sub> = 0 to 5.5 V   | V <sub>CC</sub> = 0 V                             |     | 0.5                    |                                 | 5    |      | μA |
| C <sub>I</sub>           | Input capacitance                               | V <sub>I</sub> = V <sub>CC</sub> or GND   | V <sub>CC</sub> = 3.3 V                           |     | 1.6                    |                                 | 1.6  |      | pF |
| C <sub>O</sub>           | Output capacitance                              | V <sub>O</sub> = V <sub>CC</sub> or GND   | V <sub>CC</sub> = 3.3 V                           |     | 4.8                    |                                 | 4.8  |      | pF |

## 6.6 Switching Characteristics

over operating free-air temperature range (unless otherwise noted) (see 图 7-1)

| PARAMETER        | FROM (INPUT)           | TO (OUTPUT) | FREQUENCY (TYP) | V <sub>CC</sub> | C <sub>L</sub> | T <sub>A</sub> = 25°C |     |      | T <sub>A</sub> = -65°C to 125°C |     |     | UNIT |
|------------------|------------------------|-------------|-----------------|-----------------|----------------|-----------------------|-----|------|---------------------------------|-----|-----|------|
|                  |                        |             |                 |                 |                | MIN                   | TYP | MAX  | MIN                             | TYP | MAX |      |
| t <sub>pd</sub>  | Any In                 | Y           | DC to 50 MHz    | 5.0 V           | 15 pF          | 2.8                   | 3.2 | 3    | 3.5                             | ns  |     |      |
|                  |                        |             |                 |                 | 30 pF          | 3                     | 3.5 | 3    | 4.5                             |     |     |      |
|                  |                        |             | DC to 50 MHz    | 3.3 V           | 15 pF          | 4                     | 4.5 | 5    | 5.5                             |     |     |      |
|                  |                        |             |                 |                 | 30 pF          | 5                     | 5.5 | 5.5  | 6.5                             |     |     |      |
|                  |                        |             | DC to 50 MHz    | 2.5 V           | 15 pF          | 5.5                   | 6.5 | 7    | 7.5                             |     |     |      |
|                  |                        |             |                 |                 | 30 pF          | 6.5                   | 7   | 7.5  | 8.5                             |     |     |      |
| DC to 30 MHz     | 1.8 V                  | 15 pF       | 10              | 11              | 11             | 12                    |     |      |                                 |     |     |      |
|                  |                        | 30 pF       | 11              | 12              | 12.5           | 13                    |     |      |                                 |     |     |      |
| t <sub>pZH</sub> | $\overline{\text{OE}}$ | Y           | DC to 50 MHz    | 5.0 V           | 15 pF          | 3.5                   | 4   | 3.5  | 4                               | ns  |     |      |
|                  |                        |             |                 |                 | 30 pF          | 3.8                   | 4.2 | 4    | 4.5                             |     |     |      |
|                  |                        |             | DC to 50 MHz    | 3.3 V           | 15 pF          | 5                     | 5.8 | 5.8  | 6.1                             |     |     |      |
|                  |                        |             |                 |                 | 30 pF          | 5.5                   | 6   | 5.7  | 6.5                             |     |     |      |
|                  |                        |             | DC to 50 MHz    | 2.5 V           | 15 pF          | 7.5                   | 8   | 8.5  | 9                               |     |     |      |
|                  |                        |             |                 |                 | 30 pF          | 8                     | 8.5 | 9    | 9.5                             |     |     |      |
| DC to 30 MHz     | 1.8 V                  | 15 pF       | 14.5            | 15              | 15.5           | 16.5                  |     |      |                                 |     |     |      |
|                  |                        | 30 pF       | 15.5            | 16              | 16             | 17                    |     |      |                                 |     |     |      |
| t <sub>pZL</sub> | $\overline{\text{OE}}$ | Y           | DC to 50 MHz    | 5.0 V           | 15 pF          | 3                     | 3.5 | 3.5  | 4                               | ns  |     |      |
|                  |                        |             |                 |                 | 30 pF          | 3.5                   | 4   | 4    | 4.5                             |     |     |      |
|                  |                        |             | DC to 50 MHz    | 3.3 V           | 15 pF          | 5.3                   | 5.6 | 6    | 6.2                             |     |     |      |
|                  |                        |             |                 |                 | 30 pF          | 5.8                   | 6.2 | 7    | 7.5                             |     |     |      |
|                  |                        |             | DC to 50 MHz    | 2.5 V           | 15 pF          | 8                     | 8.5 | 9    | 9.5                             |     |     |      |
|                  |                        |             |                 |                 | 30 pF          | 9                     | 9.5 | 10.5 | 11                              |     |     |      |
| DC to 30 MHz     | 1.8 V                  | 15 pF       | 17              | 17.5            | 18             | 18.5                  |     |      |                                 |     |     |      |
|                  |                        | 30 pF       | 18              | 18.5            | 19             | 20                    |     |      |                                 |     |     |      |
| t <sub>pHZ</sub> | $\overline{\text{OE}}$ | Y           | DC to 50 MHz    | 5.0 V           | 15 pF          | 3                     | 3.5 | 3.5  | 4                               | ns  |     |      |
|                  |                        |             |                 |                 | 30 pF          | 3.5                   | 4   | 4    | 4.5                             |     |     |      |
|                  |                        |             | DC to 50 MHz    | 3.3 V           | 15 pF          | 3.5                   | 4   | 4.5  | 5                               |     |     |      |
|                  |                        |             |                 |                 | 30 pF          | 5                     | 6   | 6.5  | 7                               |     |     |      |
|                  |                        |             | DC to 50 MHz    | 2.5 V           | 15 pF          | 5.5                   | 6   | 6    | 6.5                             |     |     |      |
|                  |                        |             |                 |                 | 30 pF          | 7.5                   | 8   | 8    | 9                               |     |     |      |
| DC to 30 MHz     | 1.8 V                  | 15 pF       | 7.5             | 8               | 8              | 8.5                   |     |      |                                 |     |     |      |
|                  |                        | 30 pF       | 11              | 12              | 12             | 13                    |     |      |                                 |     |     |      |
| t <sub>pLZ</sub> | $\overline{\text{OE}}$ | Y           | DC to 50 MHz    | 5.0 V           | 15 pF          | 2                     | 2.5 | 2    | 2.7                             | ns  |     |      |
|                  |                        |             |                 |                 | 30 pF          | 2                     | 3   | 2    | 3.2                             |     |     |      |
|                  |                        |             | DC to 50 MHz    | 3.3 V           | 15 pF          | 2.3                   | 2.8 | 2.5  | 3.2                             |     |     |      |
|                  |                        |             |                 |                 | 30 pF          | 2.8                   | 3.2 | 3.3  | 4                               |     |     |      |
|                  |                        |             | DC to 50 MHz    | 2.5 V           | 15 pF          | 3.3                   | 3.8 | 3.8  | 4.2                             |     |     |      |
|                  |                        |             |                 |                 | 30 pF          | 4                     | 4.3 | 4.2  | 5                               |     |     |      |
| DC to 30 MHz     | 1.8 V                  | 15 pF       | 5               | 5.5             | 5              | 5.7                   |     |      |                                 |     |     |      |
|                  |                        | 30 pF       | 6.5             | 7               | 7              | 8.5                   |     |      |                                 |     |     |      |
| t <sub>sk</sub>  | Any In                 | Y           | DC to 50 MHz    | 5.0 V to 2.5 V  | 15 pF          |                       |     | 1    | 1                               | ns  |     |      |
|                  |                        |             | DC to 30 MHz    | 1.8 V           | 15 pF          |                       |     |      |                                 |     |     |      |

**SN74LV4T125**

ZHCSCA5C - FEBRUARY 2014 - REVISED JUNE 2022

## 6.7 Noise Characteristics

 $V_{CC} = 3.3\text{ V}$ ,  $C_L = 50\text{ pF}$ ,  $T_A = 25^\circ\text{C}^{(1)}$ 

| PARAMETER   |  | MIN  | TYP  | MAX  | UNIT |
|-------------|--|------|------|------|------|
| $V_{OL(P)}$ | Quiet output, maximum dynamic $V_{OL}$ |      | 0.4  | 0.8  | V    |
| $V_{OL(V)}$ | Quiet output, minimum dynamic $V_{OL}$ |      | -0.3 | -0.8 | V    |
| $V_{OH(V)}$ | Quiet output, minimum dynamic $V_{OH}$ |      | 3    |      | V    |
| $V_{IH(D)}$ | High-level dynamic input voltage       | 2.31 |      |      | V    |
| $V_{IL(D)}$ | Low-level dynamic input voltage        |      |      | 0.99 | V    |

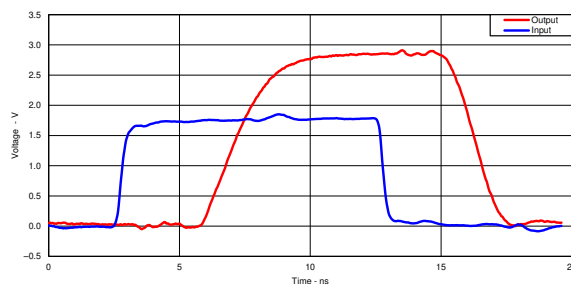
(1) Characteristics are for surface-mount packages only.

## 6.8 Operating Characteristics

 $V_{CC} = 5\text{ V}$ ,  $T_A = 25^\circ\text{C}$ 

| PARAMETER | TEST CONDITIONS               | TYP | UNIT |
|-----------|-------------------------------|-----|------|
| $C_{pd}$  | Power dissipation capacitance | 16  | pF   |

## 6.9 Typical Characteristics

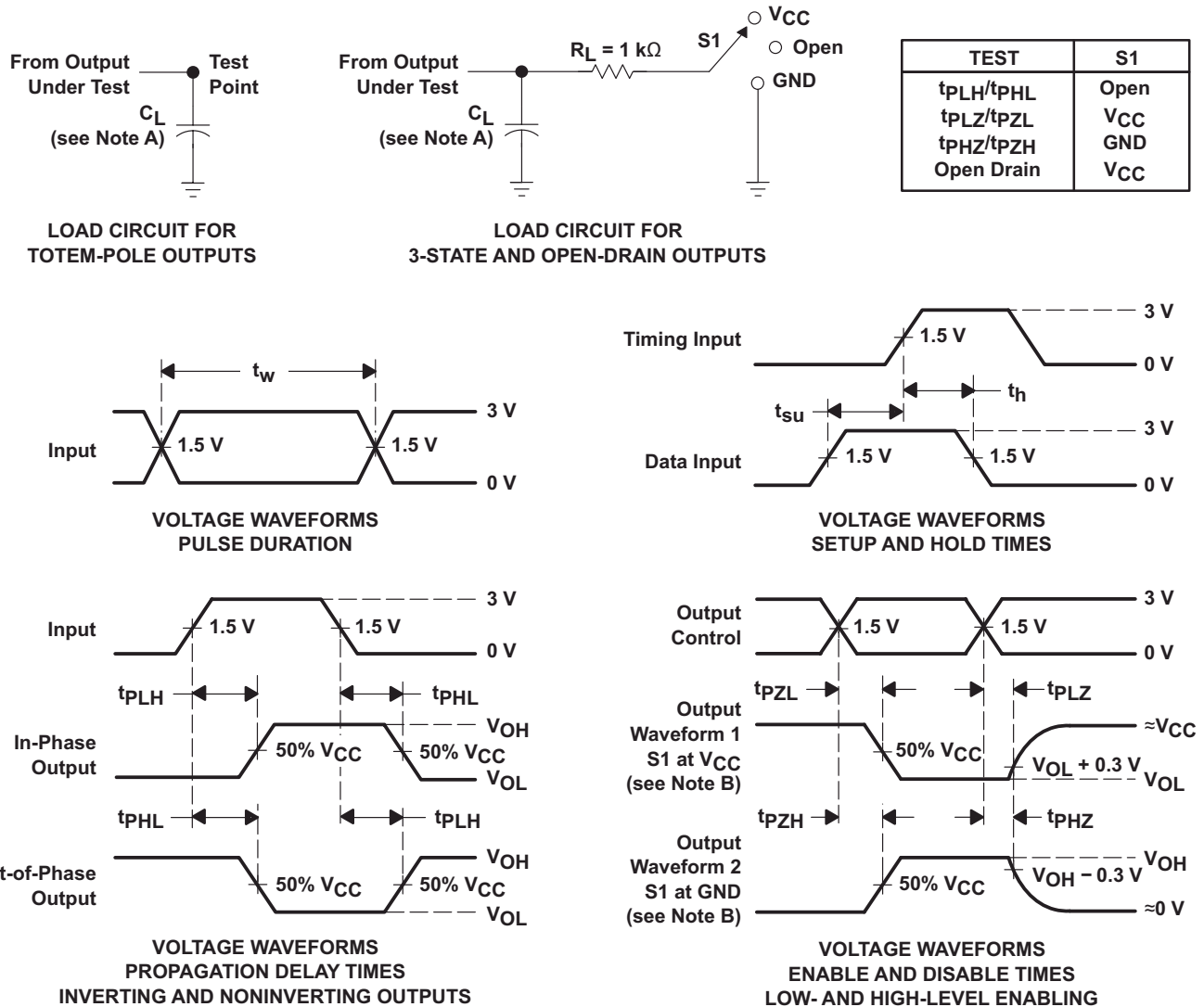


**图 6-1. Switching Characteristics at 50 MHz**  
**Excellent Signal Integrity (1.8 V to 3.3 V at 3.3-V  $V_{CC}$ )**



## 7 Parameter Measurement Information

### 7.1



- NOTES:
- $C_L$  includes probe and jig capacitance.
  - Waveform 1 is for an output with internal conditions such that the output is low, except when disabled by the output control. Waveform 2 is for an output with internal conditions such that the output is high, except when disabled by the output control.
  - All input pulses are supplied by generators having the following characteristics:  $PRR \leq 1\text{ MHz}$ ,  $Z_O = 50\ \Omega$ ,  $t_r \leq 3\text{ ns}$ ,  $t_f \leq 3\text{ ns}$ .
  - The outputs are measured one at a time, with one input transition per measurement.
  - All parameters and waveforms are not applicable to all devices.

图 7-1. Load Circuit and Voltage Waveforms

## 8 Detailed Description

### 8.1 Overview

The SN74LVxTxx family was created to allow up- or down-voltage translation with only one power rail. The family has over-voltage tolerant inputs that allow down translation from up to 5.5 V to the  $V_{CC}$  level that can be as low as 1.8 V. The family SN74LVxTxx also has a lowered switching threshold that allows it to translate up to the  $V_{CC}$  level that can be as high as 5.5 V.

#### 8.1.1 Translating Down

Using these parts to translate down is very simple. Because the inputs are tolerant to 5.5 V at any valid  $V_{CC}$ , they can be used to down translate. The input can be any level above  $V_{CC}$  up to 5.5 V and the output will equal the  $V_{CC}$  level, which can be as low as 1.8 V. One important advantage to down translating using this part is that the  $I_{CC}$  current will remain less than or equal to the specified value.

Down translation possibilities with SN74LVxTxx:

- With 1.8-V  $V_{CC}$  from 2.5 V, 3.3 V, or 5 V down to 1.8 V.
- With 2.5-V  $V_{CC}$  from 3.3 V or 5 V down to 2.5 V.
- With 3.3-V  $V_{CC}$  from 5 V down to 3.3 V.

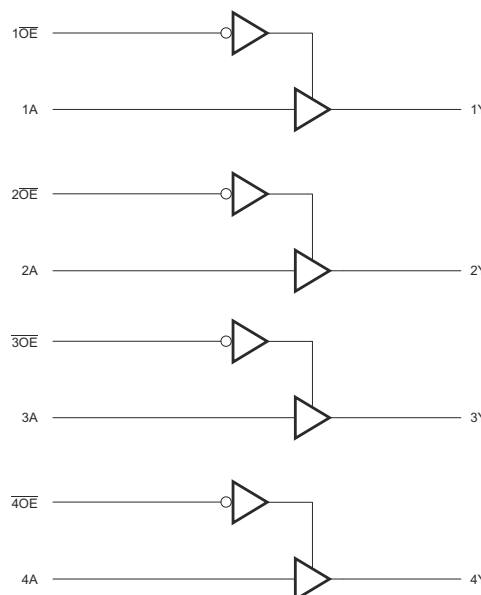
#### 8.1.2 Translating Up

Using the SN74LVxTxx family to translate up is very simple. The input switching threshold is lowered so the high level of the input voltage can be much lower than a typical CMOS  $V_{IH}$ . For instance, If the  $V_{CC}$  is 3.3 V then the typical CMOS switching threshold would be  $V_{CC} / 2$  or 1.65 V. This means the input high level must be at least  $V_{CC} \times 0.7$  or 2.31 V. On the LVxT devices the input threshold for 3.3-V  $V_{CC}$  is approximately 1 V. This allows a signal with a 1.8-V  $V_{IH}$  to be translated up to the  $V_{CC}$  level of 3.3 V.

Up translation possibilities with SN74LVxTxx:

- With 2.5-V  $V_{CC}$  from 1.8 V to 2.5 V.
- With 3.3-V  $V_{CC}$  from 1.8 V or 2.5 V to 3.3 V.
- With 5-V  $V_{CC}$  From 2.5 V or 3.3 V to 5 V.

## 8.2 Functional Block Diagram



### 8.3 Feature Description

This part is a single supply buffer that is capable up or down translation. The output will equal  $V_{CC}$  while the input can vary from 1.2 V to 5.5 V.

**Up Translation Mode:**

- 1.2 V to 1.8 V at 1.8-V  $V_{CC}$
- 1.5 V to 2.5 V at 2.5-V  $V_{CC}$
- 1.8 V to 3.3 V at 3.3-V  $V_{CC}$
- 3.3 V to 5.0 V at 5.0-V  $V_{CC}$

**Down Translation Mode:**

- 3.3 V to 1.8 V at 1.8-V  $V_{CC}$
- 3.3 V to 2.5 V at 2.5-V  $V_{CC}$
- 5.0 V to 3.3 V at 3.3-V  $V_{CC}$

**8.4 Device Functional Modes**

This device performs the function of a buffer where input logic level equals the output logic level, while providing buffering and drive to the output. The SN74LV4T125 device will also translate voltages up or down while performing this function.

**表 8-1. Function Table  
(Each Buffer)**

| INPUTS <sup>(1)</sup> |   | OUTPUT <sup>(2)</sup> |
|-----------------------|---|-----------------------|
| OE                    | A | Y                     |
| L                     | H | H                     |
| L                     | L | L                     |
| H                     | X | Z                     |

**表 8-2. Supply  $V_{CC} = 3.3$  V**

| INPUT b<br>(Lower Level Input) |   | OUTPUT<br>( $V_{CC}$ CMOS)   |
|--------------------------------|---|------------------------------|
| A                              | B | Y                            |
| $V_{IH}(\text{min}) = 1.35$ V  |   | $V_{OH}(\text{min}) = 2.9$ V |
| $V_{IL}(\text{max}) = 0.8$ V   |   | $V_{OL}(\text{max}) = 0.2$ V |

- (1) H = High Voltage Level, L = Low Voltage Level, X = Do not Care, Z = High Impedance  
 (2) H = Driving High, L = Driving Low, Z = High Impedance State

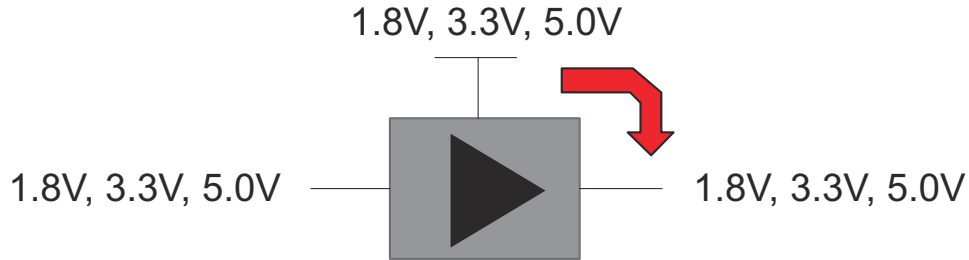
## 9 Applications and Implementation

### 备注

以下应用部分中的信息不属于 TI 器件规格的范围，TI 不担保其准确性和完整性。TI 的客户应负责确定器件是否适用于其应用。客户应验证并测试其设计，以确保系统功能。

### 9.1 Application Information

Based upon the lower-threshold circuit design of the LVxT family, the LVxT family also supports level translation. For level translation up and down, the LVxT family requires only a single power supply.



Standard Logic Mode 1.8V, 3.3V

### 9.2 Typical Application

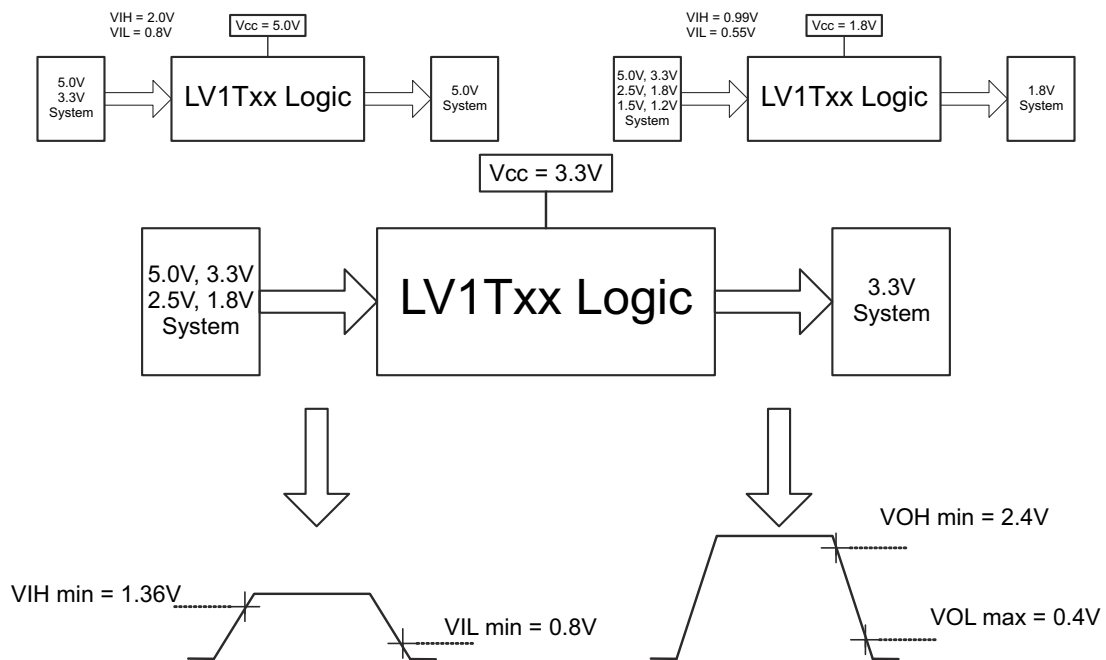


图 9-1. Switching Thresholds for 1.8 V to 3.3 V Translation

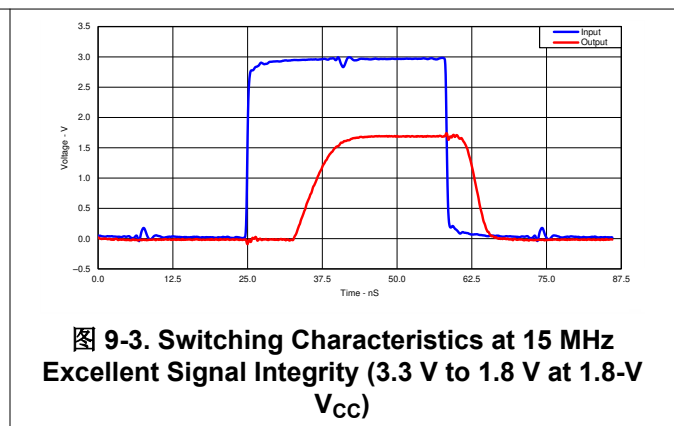
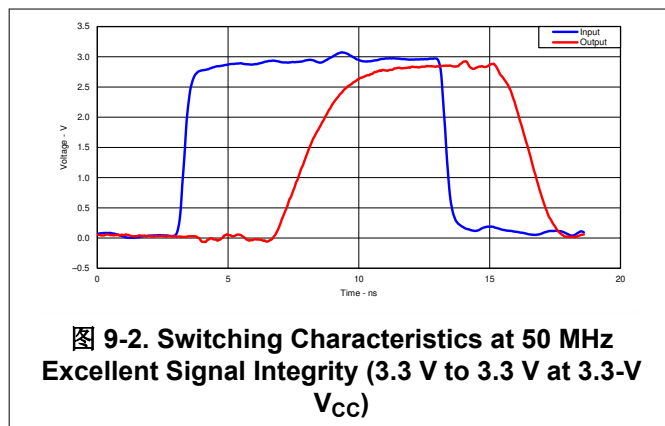
### 9.2.1 Design Requirements

This device uses CMOS technology and has balanced output drive. The input threshold levels are lowered to allow for up translation. At 5 V the device has equivalent TTL input levels.

### 9.2.2 Detailed Design Procedure

1. Recommended input conditions:
  - Rise time and fall time specifications. See ( $\Delta t / \Delta V$ ) in *Recommended Operating Conditions* table.
  - Specified high and low levels. See ( $V_{IH}$  and  $V_{IL}$ ) in *Recommended Operating Conditions* table.
  - Inputs are overvoltage tolerant allowing them to go as high as 5.5 V at any valid  $V_{CC}$ .
2. Recommend output conditions:
  - Load currents should not exceed 35 mA per output and 70 mA total for the part.
  - Outputs should not be pulled above  $V_{CC}$ .

### 9.2.3 Application Curves



## 10 Power Supply Recommendations

The power supply can be any voltage between the Min and Max supply voltage rating located in the *Recommended Operating Conditions*.

Each  $V_{CC}$  pin should have a good bypass capacitor to prevent power disturbance. For devices with a single supply, 0.1  $\mu\text{F}$  is recommended. If there are multiple  $V_{CC}$  pins, then 0.01  $\mu\text{F}$  or 0.022  $\mu\text{F}$  is recommended for each power pin. It is acceptable to parallel multiple bypass caps to reject different frequencies of noise. A 0.1  $\mu\text{F}$  and 1  $\mu\text{F}$  are commonly used in parallel. The bypass capacitor should be installed as close to the power pin as possible for best results.

## 11 Layout

### 11.1 Layout Guidelines

When using multiple bit logic devices inputs should not ever float.

In many cases, functions or parts of functions of digital logic devices are unused, for example, when only two inputs of a triple-input AND gate are used or only 3 of the 4 buffer gates are used. Such input pins should not be left unconnected because the undefined voltages at the outside connections result in undefined operational states. Specified in [Figure 11-1](#) are the rules that must be observed under all circumstances.

All unused inputs of digital logic devices must be connected to a high or low bias to prevent them from floating. The logic level that should be applied to any particular unused input depends on the function of the device. Generally they will be tied to GND or  $V_{CC}$  whichever make more sense or is more convenient.

It is generally acceptable to float outputs unless the part is a transceiver. If the transceiver has an output enable pin it will disable the outputs section of the part when asserted. This will not disable the input section of the IOs so they also cannot float when disabled.

### 11.2 Layout Example

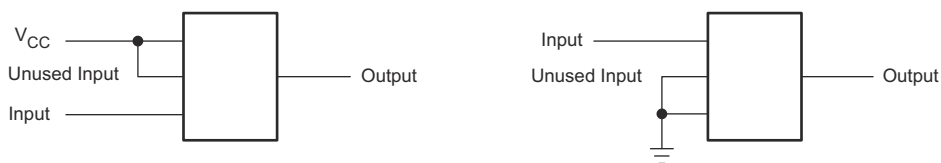


图 11-1. Layout Diagram

## 12 Device and Documentation Support

### 12.1 Documentation Support

#### 12.1.1 Additional Product Selection

| DEVICE      | PACKAGE       | DESCRIPTION                                      |
|-------------|---------------|--|
| SN74LV1T00  | DCK, DBV      | 2 - Input Positive - NAND Gate                   |
| SN74LV1T02  | DCK, DBV      | 2 - Input Positive - NOR Gate                    |
| SN74LV1T04  | DCK, DBV      | Inverter Gate                                    |
| SN74LV1T08  | DCK, DBV      | 2 - Input Positive - AND Gate                    |
| SN74LV1T34  | DCK, DBV, DRL | Single Buffer Gate                               |
| SN74LV1T14  | DCK, DBV      | Single Schmitt - Trigger Inverter Gate           |
| SN74LV1T32  | DCK, DBV      | 2 - Input Positive - OR Gate                     |
| SN74LV1T86  | DCK, DBV      | Single 2 - Input Exclusive - Or Gate             |
| SN74LV1T125 | DCK, DBV, DRL | Single Buffer Gate with 3 - state Output         |
| SN74LV1T126 | DCK, DBV, DRL | Single Buffer Gate with 3 - state Output         |
| SN74LV4T125 | RGY, PW       | Quadruple Bus Buffer Gate With 3 - State Outputs |

#### 12.2 接收文档更新通知

要接收文档更新通知，请导航至 [ti.com](http://ti.com) 上的器件产品文件夹。点击 [订阅更新](#) 进行注册，即可每周接收产品信息更改摘要。有关更改的详细信息，请查看任何已修订文档中包含的修订历史记录。

#### 12.3 支持资源

**TI E2E™ 支持论坛** 是工程师的重要参考资料，可直接从专家获得快速、经过验证的解答和设计帮助。搜索现有解答或提出自己的问题可获得所需的快速设计帮助。

链接的内容由各个贡献者“按原样”提供。这些内容并不构成 TI 技术规范，并且不一定反映 TI 的观点；请参阅 TI 的《[使用条款](#)》。

#### 12.4 Trademarks

TI E2E™ is a trademark of Texas Instruments.

所有商标均为其各自所有者的财产。

#### 12.5 Electrostatic Discharge Caution



This integrated circuit can be damaged by ESD. Texas Instruments recommends that all integrated circuits be handled with appropriate precautions. Failure to observe proper handling and installation procedures can cause damage.

ESD damage can range from subtle performance degradation to complete device failure. Precision integrated circuits may be more susceptible to damage because very small parametric changes could cause the device not to meet its published specifications.

#### 12.6 术语表

**TI 术语表** 本术语表列出并解释了术语、首字母缩略词和定义。

## 13 Mechanical, Packaging, and Orderable Information

The following pages include mechanical packaging and orderable information. This information is the most current data available for the designated devices. This data is subject to change without notice and revision of this document. For browser-based versions of this data sheet, refer to the left-hand navigation.

**PACKAGING INFORMATION**

| Orderable Device | Status<br>(1) | Package Type | Package Drawing | Pins | Package Qty | Eco Plan<br>(2) | Lead finish/<br>Ball material<br>(6) | MSL Peak Temp<br>(3) | Op Temp (°C) | Device Marking<br>(4/5) | Samples                 |
|------------------|---------------|--------------|-----------------|------|-------------|-----------------|--------------------------------------|----------------------|--------------|-------------------------|-------------------------|
| SN74LV4T125PWR   | ACTIVE        | TSSOP        | PW              | 14   | 2000        | RoHS & Green    | NIPDAU   SN                          | Level-1-260C-UNLIM   | -40 to 125   | LV4T125                 | <a href="#">Samples</a> |
| SN74LV4T125RGYR  | ACTIVE        | VQFN         | RGY             | 14   | 3000        | RoHS & Green    | NIPDAU                               | Level-1-260C-UNLIM   | -40 to 125   | LVT125                  | <a href="#">Samples</a> |

(1) The marketing status values are defined as follows:

**ACTIVE:** Product device recommended for new designs.

**LIFEBUY:** TI has announced that the device will be discontinued, and a lifetime-buy period is in effect.

**NRND:** Not recommended for new designs. Device is in production to support existing customers, but TI does not recommend using this part in a new design.

**PREVIEW:** Device has been announced but is not in production. Samples may or may not be available.

**OBSOLETE:** TI has discontinued the production of the device.

(2) **RoHS:** TI defines "RoHS" to mean semiconductor products that are compliant with the current EU RoHS requirements for all 10 RoHS substances, including the requirement that RoHS substance do not exceed 0.1% by weight in homogeneous materials. Where designed to be soldered at high temperatures, "RoHS" products are suitable for use in specified lead-free processes. TI may reference these types of products as "Pb-Free".

**RoHS Exempt:** TI defines "RoHS Exempt" to mean products that contain lead but are compliant with EU RoHS pursuant to a specific EU RoHS exemption.

**Green:** TI defines "Green" to mean the content of Chlorine (Cl) and Bromine (Br) based flame retardants meet JS709B low halogen requirements of <=1000ppm threshold. Antimony trioxide based flame retardants must also meet the <=1000ppm threshold requirement.

(3) MSL, Peak Temp. - The Moisture Sensitivity Level rating according to the JEDEC industry standard classifications, and peak solder temperature.

(4) There may be additional marking, which relates to the logo, the lot trace code information, or the environmental category on the device.

(5) Multiple Device Markings will be inside parentheses. Only one Device Marking contained in parentheses and separated by a "~" will appear on a device. If a line is indented then it is a continuation of the previous line and the two combined represent the entire Device Marking for that device.

(6) Lead finish/Ball material - Orderable Devices may have multiple material finish options. Finish options are separated by a vertical ruled line. Lead finish/Ball material values may wrap to two lines if the finish value exceeds the maximum column width.

**Important Information and Disclaimer:**The information provided on this page represents TI's knowledge and belief as of the date that it is provided. TI bases its knowledge and belief on information provided by third parties, and makes no representation or warranty as to the accuracy of such information. Efforts are underway to better integrate information from third parties. TI has taken and continues to take reasonable steps to provide representative and accurate information but may not have conducted destructive testing or chemical analysis on incoming materials and chemicals. TI and TI suppliers consider certain information to be proprietary, and thus CAS numbers and other limited information may not be available for release.

In no event shall TI's liability arising out of such information exceed the total purchase price of the TI part(s) at issue in this document sold by TI to Customer on an annual basis.



**OTHER QUALIFIED VERSIONS OF SN74LV4T125 :**

- Automotive : [SN74LV4T125-Q1](#)
- Enhanced Product : [SN74LV4T125-EP](#)

## NOTE: Qualified Version Definitions:

- Automotive - Q100 devices qualified for high-reliability automotive applications targeting zero defects
- Enhanced Product - Supports Defense, Aerospace and Medical Applications

## TAPE AND REEL INFORMATION



### QUADRANT ASSIGNMENTS FOR PIN 1 ORIENTATION IN TAPE



\*All dimensions are nominal

| Device          | Package Type | Package Drawing | Pins | SPQ  | Reel Diameter (mm) | Reel Width W1 (mm) | A0 (mm) | B0 (mm) | K0 (mm) | P1 (mm) | W (mm) | Pin1 Quadrant |
|-----------------|--------------|-----------------|------|------|--------------------|--------------------|---------|---------|---------|---------|--------|---------------|
| SN74LV4T125PWR  | TSSOP        | PW              | 14   | 2000 | 330.0              | 12.4               | 6.9     | 5.6     | 1.6     | 8.0     | 12.0   | Q1            |
| SN74LV4T125RGYR | VQFN         | RGY             | 14   | 3000 | 330.0              | 12.4               | 3.75    | 3.75    | 1.15    | 8.0     | 12.0   | Q1            |

**TAPE AND REEL BOX DIMENSIONS**


\*All dimensions are nominal

| Device          | Package Type | Package Drawing | Pins | SPQ  | Length (mm) | Width (mm) | Height (mm) |
|-----------------|--------------|-----------------|------|------|-------------|------------|-------------|
| SN74LV4T125PWR  | TSSOP        | PW              | 14   | 2000 | 353.0       | 353.0      | 32.0        |
| SN74LV4T125RGYR | VQFN         | RGY             | 14   | 3000 | 360.0       | 360.0      | 36.0        |

## GENERIC PACKAGE VIEW

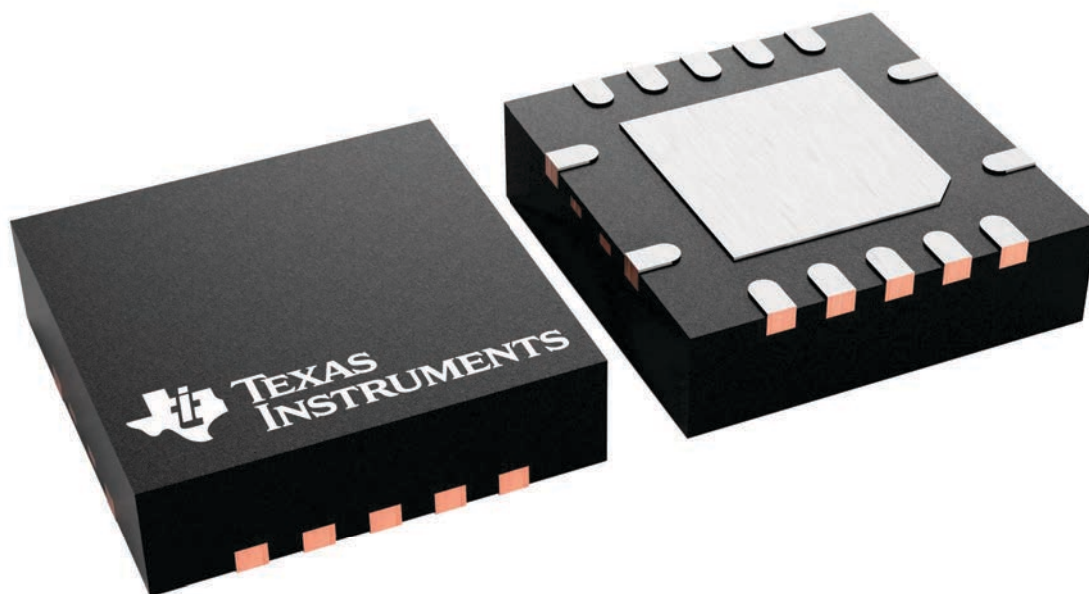
**RGY 14**

**VQFN - 1 mm max height**

3.5 x 3.5, 0.5 mm pitch

PLASTIC QUAD FLATPACK - NO LEAD

This image is a representation of the package family, actual package may vary.  
Refer to the product data sheet for package details.



4231541/A

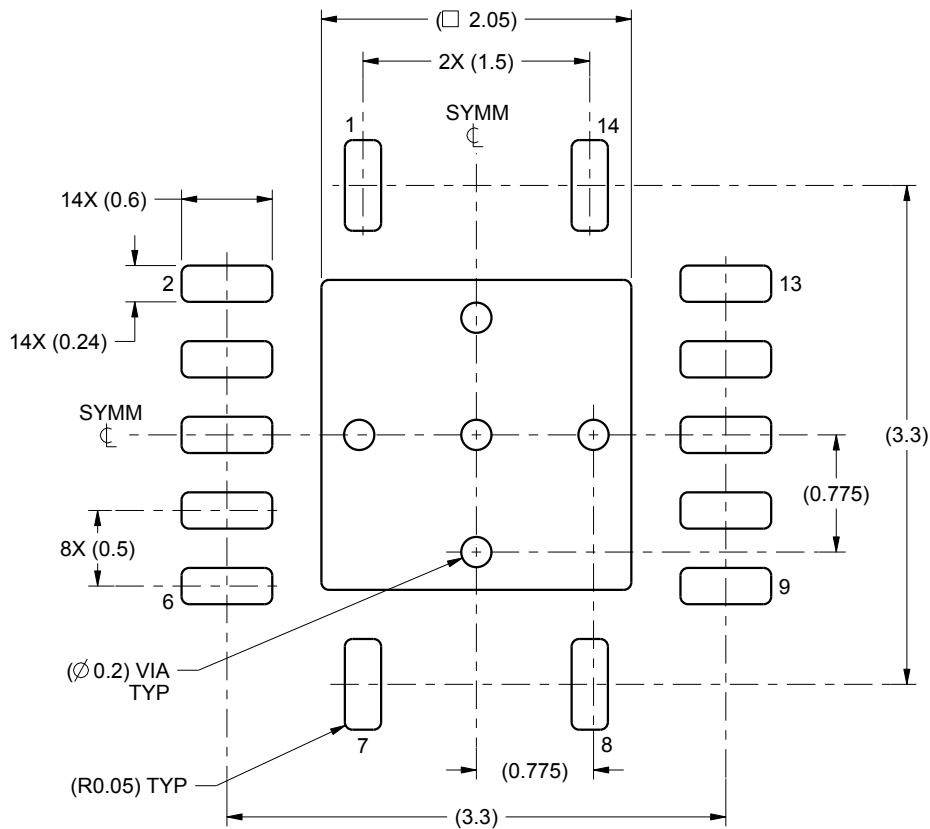


# EXAMPLE BOARD LAYOUT

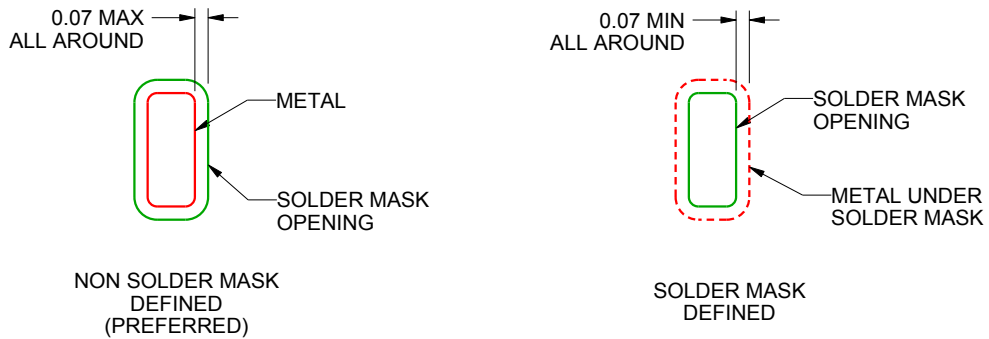
RGY0014A

VQFN - 1 mm max height

PLASTIC QUAD FLATPACK - NO LEAD



LAND PATTERN EXAMPLE  
SCALE:20X



SOLDER MASK DETAILS

4219040/A 09/2015

NOTES: (continued)

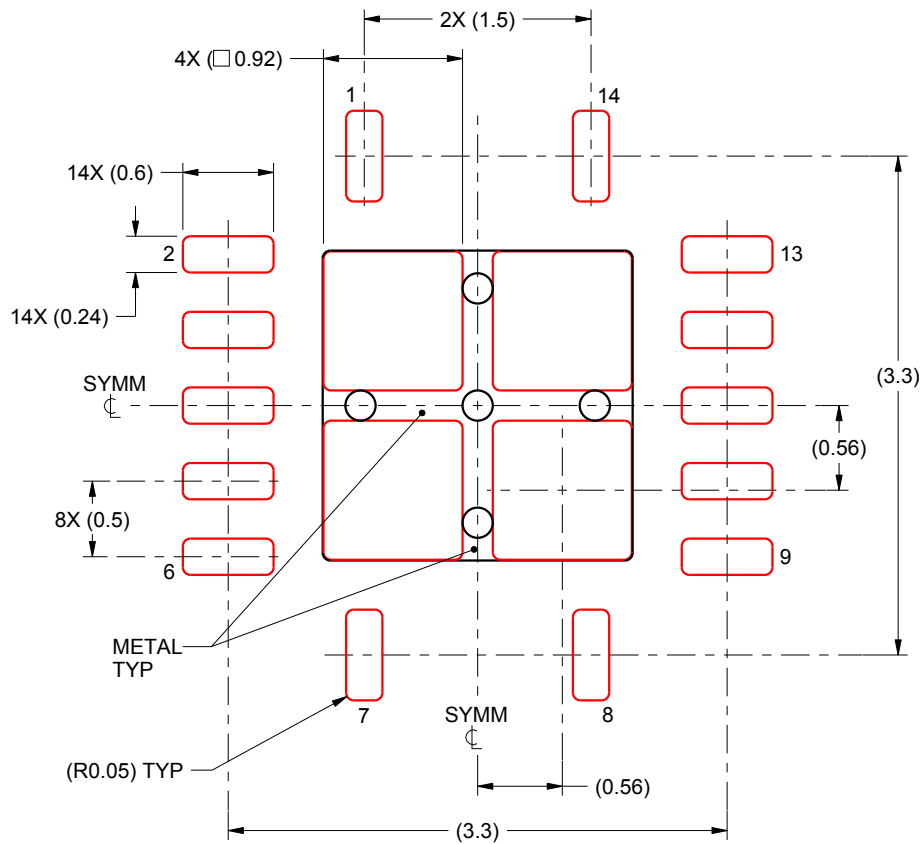
4. This package is designed to be soldered to a thermal pad on the board. For more information, see Texas Instruments literature number SLUA271 ([www.ti.com/lit/slua271](http://www.ti.com/lit/slua271)).

# EXAMPLE STENCIL DESIGN

RGY0014A

VQFN - 1 mm max height

PLASTIC QUAD FLATPACK - NO LEAD



**SOLDER PASTE EXAMPLE**  
BASED ON 0.125 mm THICK STENCIL

EXPOSED PAD  
80% PRINTED SOLDER COVERAGE BY AREA  
SCALE:20X

4219040/A 09/2015

NOTES: (continued)

5. Laser cutting apertures with trapezoidal walls and rounded corners may offer better paste release. IPC-7525 may have alternate design recommendations.



NOTES:

1. All linear dimensions are in millimeters. Any dimensions in parenthesis are for reference only. Dimensioning and tolerancing per ASME Y14.5M.
2. This drawing is subject to change without notice.
3. This dimension does not include mold flash, protrusions, or gate burrs. Mold flash, protrusions, or gate burrs shall not exceed 0.15 mm per side.
4. This dimension does not include interlead flash. Interlead flash shall not exceed 0.25 mm per side.
5. Reference JEDEC registration MO-153.



# EXAMPLE BOARD LAYOUT

PW0014A

TSSOP - 1.2 mm max height

SMALL OUTLINE PACKAGE



LAND PATTERN EXAMPLE  
EXPOSED METAL SHOWN  
SCALE: 10X



4220202/B 12/2023

NOTES: (continued)

- 6. Publication IPC-7351 may have alternate designs.
- 7. Solder mask tolerances between and around signal pads can vary based on board fabrication site.

# EXAMPLE STENCIL DESIGN

PW0014A

TSSOP - 1.2 mm max height

SMALL OUTLINE PACKAGE



SOLDER PASTE EXAMPLE  
BASED ON 0.125 mm THICK STENCIL  
SCALE: 10X

4220202/B 12/2023

NOTES: (continued)

8. Laser cutting apertures with trapezoidal walls and rounded corners may offer better paste release. IPC-7525 may have alternate design recommendations.
9. Board assembly site may have different recommendations for stencil design.

## 重要通知和免责声明

TI“按原样”提供技术和可靠性数据（包括数据表）、设计资源（包括参考设计）、应用或其他设计建议、网络工具、安全信息和其他资源，不保证没有瑕疵且不做任何明示或暗示的担保，包括但不限于对适销性、某特定用途方面的适用性或不侵犯任何第三方知识产权的暗示担保。

这些资源可供使用 TI 产品进行设计的熟练开发人员使用。您将自行承担以下全部责任：(1) 针对您的应用选择合适的 TI 产品，(2) 设计、验证并测试您的应用，(3) 确保您的应用满足相应标准以及任何其他功能安全、信息安全、监管或其他要求。

这些资源如有变更，恕不另行通知。TI 授权您仅可将这些资源用于研发本资源所述的 TI 产品的相关应用。严禁以其他方式对这些资源进行复制或展示。您无权使用任何其他 TI 知识产权或任何第三方知识产权。您应全额赔偿因在这些资源的使用中对 TI 及其代表造成的任何索赔、损害、成本、损失和债务，TI 对此概不负责。

TI 提供的产品受 [TI 的销售条款](#) 或 [ti.com](#) 上其他适用条款/TI 产品随附的其他适用条款的约束。TI 提供这些资源并不会扩展或以其他方式更改 TI 针对 TI 产品发布的适用的担保或担保免责声明。

TI 反对并拒绝您可能提出的任何其他或不同的条款。

邮寄地址：Texas Instruments, Post Office Box 655303, Dallas, Texas 75265  
版权所有 © 2025，德州仪器 (TI) 公司