

具有内部基准、振荡器和可编程比较器且兼容 I²C 的 ADS111x、超小型、低功耗 860SPS、16 位 ADC

1 特性

- 超小型 X2QFN 封装：
2mm × 1.5mm × 0.4mm
- 宽电源电压：2.0V 至 5.5V
- 低功耗：150μA
(连续转换模式)
- 可编程数据传输速率：
8SPS 至 860SPS
- 单周期稳定
- 内部低漂移电压基准
- 内部振荡器
- I²C 接口：四个引脚可选地址
- 四个单端输入或两个差分输入 (ADS1115)
- 可编程比较器 (ADS1114 和 ADS1115)
- 工作温度范围：
-40°C 至 +125°C

2 应用

- 便携式仪表
- 电池电压和电流监控
- 温度测量系统
- 消费类电子产品
- 工厂自动化和过程控制

3 说明

ADS1113、ADS1114 和 ADS1115 器件 (ADS111x) 是兼容 I²C 的 16 位高精度低功耗模数转换器 (ADC)，采用超小型无引线 X2QFN-10 封装和 VSSOP-10 封装。ADS111x 器件采用了低漂移电压基准和振荡器。ADS1114 和 ADS1115 还采用可编程增益放大器 (PGA) 和数字比较器。这些特性加以较宽的工作电源电压范围使得 ADS111x 非常适合功率受限和空间受限的传感器测量应用中经常遇到的特定频率下 OPax189 的 EMIRR +IN 值。

ADS111x 可在数据速率高达每秒 860 个样本 (SPS) 的情况下执行转换。PGA 可提供从 ±256mV 到 ±6.144V 的输入范围，从而实现精准的大小信号测量。ADS1115 具有一个输入多路复用器 (MUX)，可实现两次差动输入测量或四次单端输入测量。在 ADS1114 和 ADS1115 中可使用数字比较器进行欠压和过压检测。

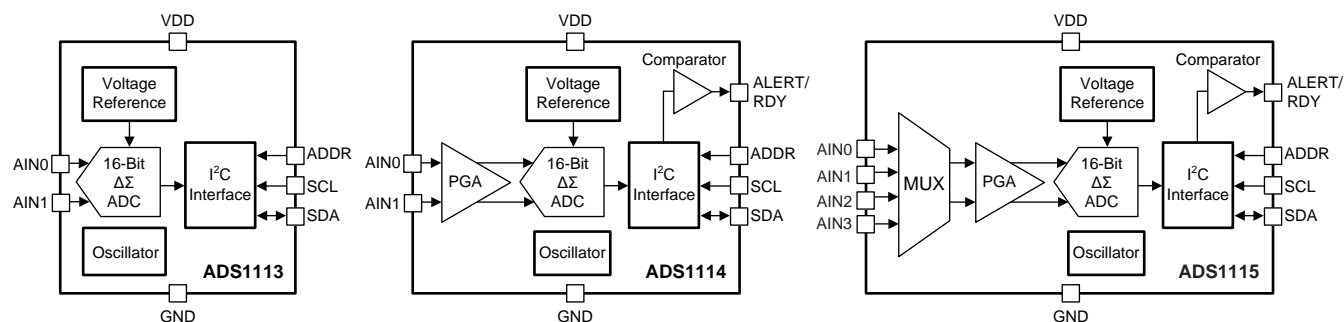
ADS111x 既可在连续转换模式下工作，也可在单冲模式下工作。在单冲模式下，这些器件可在一次转换后自动断电；因此显著降低了空闲期间的功耗。

Device Information⁽¹⁾

PART NUMBER	PACKAGE	BODY SIZE (NOM)
ADS111x	X2QFN (10)	1.50mm x 2.00mm
	VSSOP (10)	3.00mm x 3.00mm

(1) 要了解所有可用封装，请参见数据表末尾的封装选项附录。

简化的方框图



Copyright © 2016, Texas Instruments Incorporated



目录

1	特性	1	9.4	Device Functional Modes	21
2	应用	1	9.5	Programming	22
3	说明	1	9.6	Register Map	27
4	Revision History	2	10	Application and Implementation	31
5	Device Comparison Table	5	10.1	Application Information	31
6	Pin Configuration and Functions	5	10.2	Typical Application	36
7	Specifications	6	11	Power Supply Recommendations	40
7.1	Absolute Maximum Ratings	6	11.1	Power-Supply Sequencing	40
7.2	ESD Ratings	6	11.2	Power-Supply Decoupling	40
7.3	Recommended Operating Conditions	6	12	Layout	41
7.4	Thermal Information	6	12.1	Layout Guidelines	41
7.5	Electrical Characteristics	7	12.2	Layout Example	42
7.6	Timing Requirements: I ² C	8	13	器件和文档支持	43
7.7	Typical Characteristics	9	13.1	Documentation Support	43
8	Parameter Measurement Information	13	13.2	相关链接	43
8.1	Noise Performance	13	13.3	Receiving Notification of Documentation Updates	43
9	Detailed Description	14	13.4	社区资源	43
9.1	Overview	14	13.5	商标	43
9.2	Functional Block Diagrams	14	13.6	静电放电警告	43
9.3	Feature Description	15	13.7	Glossary	43
			14	机械、封装和可订购信息	43

4 Revision History

注：之前版本的页码可能与当前版本有所不同。

Changes from Revision C (December 2016) to Revision D	Page
• Changed <i>Digital input voltage</i> max value from VDD + 0.3 V to 5.5 V in <i>Absolute Maximum Ratings</i> table	6
• Added "over temperature" to Offset drift parameter for clarity	7
• Added Long-term Offset drift parameter in <i>Electrical Characteristics</i> table	7
• Added "over temperature" to Gain drift parameter for clarity	7
• Added Long-term gain drift parameter in <i>Electrical Characteristics</i> table	7
• Changed V _{IH} parameter max value from VDD to 5.5 V in <i>Electrical Characteristics</i> table	7
• Added <i>Output Data Rate and Conversion Time</i> section for clarity	17
• Changed Figure 28, <i>ALERT Pin Timing Diagram</i> , for clarity	19
• Changed Figure 39, <i>Typical Connections of the ADS1115</i> , for clarity	31
• Changed the resistor values in Figure 43, <i>Basic Hardware Configuration</i> , from 10 Ω to 10 kΩ	35

Changes from Revision B (October 2009) to Revision C	Page
• 已添加 增加了器件信息、ESD 额定值、建议运行条件和热性能信息表以及参数测量信息、详细 说明、应用范围和实 施、电源建议、布局、器件和文档支持 以及机械、封装和可订购信息 部分	1
• 已更改 标题 和说明、特性和应用 部分，以便辨别	1
• 已删除 从说明 部分删除了温度范围并移动至特性 部分	1
• Changed <i>Product Family</i> table title to <i>Device Comparison Table</i> and deleted <i>Package Designator</i> column	5
• Changed <i>Pin Functions</i> table for clarity	5
• Changed <i>Power-supply voltage</i> max value from 5.5 V to 7 V in <i>Absolute Maximum Ratings</i> table	6
• Changed <i>Analog input voltage</i> min value from –0.3 V to GND – 0.3 V in <i>Absolute Maximum Ratings</i> table	6
• Changed <i>Digital input voltage</i> min value from –0.5 V to GND – 0.3 V in <i>Absolute Maximum Ratings</i> table	6
• Changed <i>Digital input voltage</i> max value from 5.5 V to VDD + 0.3 V in <i>Absolute Maximum Ratings</i> table	6

• Deleted <i>Analog input current</i> rows in <i>Absolute Maximum Ratings</i> table.....	6
• Added <i>Input current</i> row in <i>Absolute Maximum Ratings</i> table	6
• Added <i>Operating temperature</i> range of –40°C to +125°C back into <i>Absolute Maximum Ratings</i> table	6
• Added minimum specification of –40°C for T_J in <i>Absolute Maximum Ratings</i> table	6
• Changed <i>Electrical Characteristics</i> table conditions line for clarity	7
• Changed all instances of "FS" to "FSR"	7
• Deleted FSR from <i>Electrical Characteristics</i> and moved to <i>Recommended Operating Conditions</i> table	7
• Added values from Table 2 to <i>Differential input impedance</i> parameter in <i>Electrical Characteristics</i> table	7
• Changed <i>Output noise</i> parameter link from "see <i>Typical Characteristics</i> " to "see <i>Noise Performance</i> section" in <i>Electrical Characteristics</i> table	7
• Changed <i>Offset error</i> empty min value to –3, and max value from ± 3 to 3 for clarity in <i>Electrical Characteristics</i> table	7
• Changed V_{IH} parameter max value from 5.5 V to VDD in <i>Electrical Characteristics</i> table	7
• Changed V_{IL} parameter min value from GND – 0.5 V to GND in <i>Electrical Characteristics</i> table	7
• Changed <i>Input leakage current</i> parameters from two rows to one row, changed test conditions from $V_{IH} = 5.5V$ and $V_{IL} = GND$ to $GND < V_{DIG} < VDD$, and changed min value from 10 μA to –10 μA in <i>Electrical Characteristics</i> table.....	7
• Changed text in note 1 of <i>Electrical Characteristics</i> table from "In no event should more than VDD + 0.3 V be applied to this device" to "No more than VDD + 0.3 V or 5.5 V (whichever is smaller) must be applied to this device. See Table 3 for more information."	7
• Deleted <i>Power-supply voltage</i> parameter from <i>Electrical Characteristics</i> and moved to <i>Recommended Operating Conditions</i> table	8
• Deleted <i>Specified temperature</i> parameter from <i>Electrical Characteristics</i> and moved to <i>Recommended Operating Conditions</i> table	8
• Deleted <i>Storage temperature</i> parameter from <i>Electrical Characteristics</i> and moved to <i>Absolute Maximum Ratings</i> table ..	8
• Added condition statement in <i>Timing Requirements: f^2C</i> table	8
• Added note 1 to <i>Timing Requirements</i> table	8
• Changed Figure 22; deleted "Gain = 2/3, 1, 2, 4, 8, or 16"	14
• Added <i>Functional Block Diagrams</i> for ADS1114 and ADS1113	14
• Changed <i>Analog Inputs</i> section to provide LSB size information instead of PGA setting	16
• Changed <i>Full-Scale Input</i> section title to <i>Full-Scale Range (FSR) and LSB Size</i> , and updated section for clarity	17
• Added <i>Voltage Reference</i> and <i>Oscillator</i> sections	17
• Changed <i>Comparator</i> section title to <i>Digital Comparator</i> , and updated section for clarity.	17
• Changed <i>Conversion Ready Pin</i> section for clarity	19
• Changed <i>Register Map</i> section for clarity	27
• Changed <i>Application Information</i> section for clarity	31
• Added <i>Input Protection</i> section.....	32
• Added <i>Unused Inputs and Outputs</i> section.....	32
• Changed <i>Aliasing</i> section title to <i>Analog Input Filtering</i> and updated section for clarity.....	33
• Added <i>Typical Application</i> section.....	36

Changes from Revision A (August 2009) to Revision B
Page

• 已删除 从“特性”部分删除了工作温度项目符号	1
• Deleted <i>Operating temperature range</i> from <i>Absolute Maximum Ratings</i> table.....	6
• Deleted <i>Operating temperature</i> parameter from <i>Temperature</i> section of <i>Electrical Characteristics</i> table.....	8
• Changed Figure 2, <i>Operating Current vs Temperature</i> , to reflect maximum operating temperature	9
• Changed Figure 3, <i>Power-Down Current vs Temperature</i> , to reflect maximum operating temperature.....	9
• Changed Figure 4, <i>Single-Ended Offset Error vs Temperature</i> , to reflect maximum operating temperature	9
• Changed Figure 5, <i>Differential Offset vs Temperature</i> , to reflect maximum operating temperature	9

ADS1113, ADS1114, ADS1115

ZHCS311D – MAY 2009 – REVISED JANUARY 2018

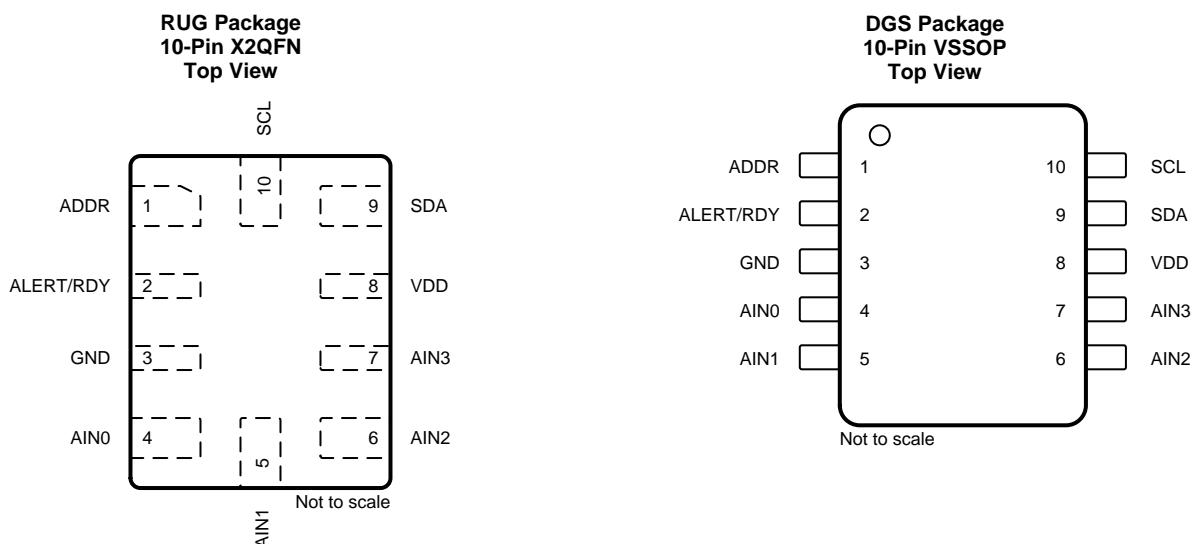
www.ti.com.cn

• Changed Figure 6, Gain Error vs Temperature, to reflect maximum operating temperature.....	9
• Changed 140°C to 125°C in Figure 9, INL vs Input Signal	9
• Changed +140°C to +125°C in Figure 10, INL vs Input Signal	9
• Changed +140°C to +125°C in Figure 11, INL vs Input Signal	9
• Changed +140°C to +125°C in Figure 12, INL vs Input Signal	9
• Changed Figure 13, INL vs Temperature, to reflect maximum operating temperature.....	9
• Changed Figure 16, Noise vs Temperature, to reflect maximum operating temperature	10
• Changed Figure 20, Data Rate vs Temperature, to reflect maximum operating temperature	11

5 Device Comparison Table

DEVICE	RESOLUTION (Bits)	MAXIMUM SAMPLE RATE (SPS)	INPUT CHANNELS Differential (Single-Ended)	PGA	INTERFACE	SPECIAL FEATURES
ADS1115	16	860	2 (4)	Yes	I ² C	Comparator
ADS1114	16	860	1 (1)	Yes	I ² C	Comparator
ADS1113	16	860	1(1)	No	I ² C	None
ADS1015	12	3300	2 (4)	Yes	I ² C	Comparator
ADS1014	12	3300	1 (1)	Yes	I ² C	Comparator
ADS1013	12	3300	1 (1)	No	I ² C	None
ADS1118	16	860	2 (4)	Yes	SPI	Temperature sensor
ADS1018	12	3300	2 (4)	Yes	SPI	Temperature sensor

6 Pin Configuration and Functions



Pin Functions

NAME	PIN ⁽¹⁾			TYPE	DESCRIPTION
	ADS1113	ADS1114	ADS1115		
ADDR	1	1	1	Digital input	I ² C slave address select
AIN0	4	4	4	Analog input	Analog input 0
AIN1	5	5	5	Analog input	Analog input 1
AIN2	—	—	6	Analog input	Analog input 2 (ADS1115 only)
AIN3	—	—	7	Analog input	Analog input 3 (ADS1115 only)
ALERT/RDY	—	2	2	Digital output	Comparator output or conversion ready (ADS1114 and ADS1115 only)
GND	3	3	3	Analog	Ground
NC	2, 6, 7	6, 7	—	—	Not connected
SCL	10	10	10	Digital input	Serial clock input. locks data on SDA
SDA	9	9	9	Digital I/O	Serial data. Transmits and receives data
VDD	8	8	8	Analog	Power supply. Connect a 0.1-μF, power-supply decoupling capacitor to GND.

(1) See the [Unused Inputs and Outputs](#) section for unused pin connections.

7 Specifications

7.1 Absolute Maximum Ratings

over operating free-air temperature range (unless otherwise noted)⁽¹⁾

		MIN	MAX	UNIT
Power-supply voltage	VDD to GND	-0.3	7	V
Analog input voltage	AIN0, AIN1, AIN2, AIN3	GND - 0.3	VDD + 0.3	V
Digital input voltage	SDA, SCL, ADDR, ALERT/RDY	GND - 0.3	5.5	V
Input current, continuous	Any pin except power supply pins	-10	10	mA
Temperature	Operating ambient, T _A	-40	125	°C
	Junction, T _J	-40	150	
	Storage, T _{stg}	-60	150	

- (1) Stresses beyond those listed under *Absolute Maximum Ratings* may cause permanent damage to the device. These are stress ratings only, which do not imply functional operation of the device at these or any other conditions beyond those indicated under *Recommended Operating Conditions*. Exposure to absolute-maximum-rated conditions for extended periods may affect device reliability.

7.2 ESD Ratings

		VALUE	UNIT
V _(ESD) Electrostatic discharge	Human-body model (HBM), per ANSI/ESDA/JEDEC JS-001 ⁽¹⁾	±2000	V
	Charged-device model (CDM), per JEDEC specification JESD22-C101 ⁽²⁾	±500	

- (1) JEDEC document JEP155 states that 500-V HBM allows safe manufacturing with a standard ESD control process.
 (2) JEDEC document JEP157 states that 250-V CDM allows safe manufacturing with a standard ESD control process.

7.3 Recommended Operating Conditions

		MIN	NOM	MAX	UNIT
POWER SUPPLY					
Power supply (VDD to GND)		2		5.5	V
ANALOG INPUTS⁽¹⁾					
FSR	Full-scale input voltage range ⁽²⁾ (V _{IN} = V _(AINP) - V _(AINN))	±0.256		±6.144	V
V _(AINx)	Absolute input voltage	GND		VDD	V
DIGITAL INPUTS					
V _{DIG}	Digital input voltage	GND		5.5	V
TEMPERATURE					
T _A	Operating ambient temperature	-40		125	°C

- (1) AINP and AINN denote the selected positive and negative inputs. AINx denotes one of the four available analog inputs.
 (2) This parameter expresses the full-scale range of the ADC scaling. No more than VDD + 0.3 V must be applied to the analog inputs of the device. See [Table 3](#) more information.

7.4 Thermal Information

THERMAL METRIC ⁽¹⁾	ADS111x		UNIT	
	DGS (VSSOP)	RUG (X2QFN)		
	10 PINS	10 PINS		
R _{θJA}	Junction-to-ambient thermal resistance	182.7	245.2	°C/W
R _{θJC(top)}	Junction-to-case (top) thermal resistance	67.2	69.3	°C/W
R _{θJB}	Junction-to-board thermal resistance	103.8	172.0	°C/W
ψ _{JT}	Junction-to-top characterization parameter	10.2	8.2	°C/W
ψ _{JB}	Junction-to-board characterization parameter	102.1	170.8	°C/W
R _{θJC(bot)}	Junction-to-case (bottom) thermal resistance	N/A	N/A	°C/W

- (1) For more information about traditional and new thermal metrics, see the [Semiconductor and IC Package Thermal Metrics](#) application report.

7.5 Electrical Characteristics

At VDD = 3.3 V, data rate = 8 SPS, and full-scale input voltage range (FSR) = ±2.048 V (unless otherwise noted). Maximum and minimum specifications apply from TA = –40°C to +125°C. Typical specifications are at TA = 25°C.

PARAMETER		TEST CONDITIONS	MIN	TYP	MAX	UNIT
ANALOG INPUT						
Common-mode input impedance	FSR = ±6.144 V ⁽¹⁾		10		MΩ	
	FSR = ±4.096 V ⁽¹⁾ , FSR = ±2.048 V		6			
	FSR = ±1.024 V		3			
	FSR = ±0.512 V, FSR = ±0.256 V		100			
Differential input impedance	FSR = ±6.144 V ⁽¹⁾		22		MΩ	
	FSR = ±4.096 V ⁽¹⁾		15			
	FSR = ±2.048 V		4.9			
	FSR = ±1.024 V		2.4		kΩ	
	FSR = ±0.512 V, ±0.256 V		710			
SYSTEM PERFORMANCE						
Resolution (no missing codes)		16		Bits		
DR	Data rate	8, 16, 32, 64, 128, 250, 475, 860		SPS		
Data rate variation		All data rates		–10%	10%	
Output noise		See Noise Performance section				
INL	Integral nonlinearity	DR = 8 SPS, FSR = ±2.048 V ⁽²⁾		1		LSB
Offset error	FSR = ±2.048 V, differential inputs		–3	±1	3	
	FSR = ±2.048 V, single-ended inputs		±3			
Offset drift over temperature		FSR = ±2.048 V		0.005		LSB/°C
Long-term Offset drift		FSR = ±2.048 V, TA = 125°C, 1000 hrs		±1		LSB
Offset power-supply rejection		FSR = ±2.048 V, DC supply variation		1		LSB/V
Offset channel match		Match between any two inputs		3		LSB
Gain error ⁽³⁾		FSR = ±2.048 V, TA = 25°C		0.01%	0.15%	
Gain drift over temperature ⁽³⁾	FSR = ±0.256 V		7		ppm/°C	
	FSR = ±2.048 V		5			
	FSR = ±6.144 V ⁽¹⁾		5			
Long-term gain drift ⁽³⁾		FSR = ±2.048 V, TA = 125°C, 1000 hrs		±0.05		%
Gain power-supply rejection				80		ppm/V
Gain match ⁽³⁾		Match between any two gains		0.02%	0.1%	
Gain channel match		Match between any two inputs		0.05%	0.1%	
CMRR	Common-mode rejection ratio	At DC, FSR = ±0.256 V		105		dB
		At DC, FSR = ±2.048 V		100		
		At DC, FSR = ±6.144 V ⁽¹⁾		90		
		f _{CM} = 60 Hz, DR = 8 SPS		105		
		f _{CM} = 50 Hz, DR = 8 SPS		105		
DIGITAL INPUT/OUTPUT						
V _{IH}	High-level input voltage	0.7 VDD		5.5		V
V _{IL}	Low-level input voltage	GND		0.3 VDD		V
V _{OL}	Low-level output voltage	I _{OL} = 3 mA		GND	0.15	0.4
Input leakage current		GND < V _{DIG} < VDD		–10	10	

(1) This parameter expresses the full-scale range of the ADC scaling. No more than VDD + 0.3 V must be applied to the analog inputs of the device. See [Table 3](#) more information.

(2) Best-fit INL; covers 99% of full-scale.

(3) Includes all errors from onboard PGA and voltage reference.

Electrical Characteristics (continued)

At VDD = 3.3 V, data rate = 8 SPS, and full-scale input voltage range (FSR) = ±2.048 V (unless otherwise noted). Maximum and minimum specifications apply from TA = –40°C to +125°C. Typical specifications are at TA = 25°C.

PARAMETER	TEST CONDITIONS	MIN	TYP	MAX	UNIT	
POWER-SUPPLY						
I _{VDD} Supply current	Power-down	TA = 25°C	0.5	2	μA	
				5		
	Operating	TA = 25°C		150		200
						300
P _D Power dissipation	VDD = 5.0 V		0.9		mW	
	VDD = 3.3 V		0.5			
	VDD = 2.0 V		0.3			

7.6 Timing Requirements: I²C

over operating ambient temperature range and VDD = 2.0 V to 5.5 V (unless otherwise noted)

		FAST MODE		HIGH-SPEED MODE		UNIT
		MIN	MAX	MIN	MAX	
f _{SCL}	SCL clock frequency	0.01	0.4	0.01	3.4	MHz
t _{BUF}	Bus free time between START and STOP condition	600		160		ns
t _{HDSTA}	Hold time after repeated START condition. After this period, the first clock is generated.	600		160		ns
t _{SUSTA}	Setup time for a repeated START condition	600		160		ns
t _{SUSTO}	Setup time for STOP condition	600		160		ns
t _{HDDAT}	Data hold time	0		0		ns
t _{SUDAT}	Data setup time	100		10		ns
t _{LOW}	Low period of the SCL clock pin	1300		160		ns
t _{HIGH}	High period for the SCL clock pin	600		60		ns
t _F	Rise time for both SDA and SCL signals ⁽¹⁾		300		160	ns
t _R	Fall time for both SDA and SCL signals ⁽¹⁾		300		160	ns

(1) For high-speed mode maximum values, the capacitive load on the bus line must not exceed 400 pF.

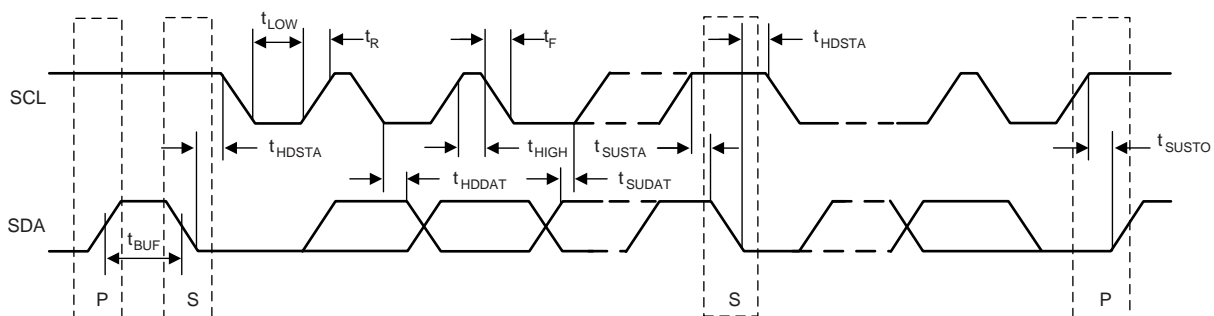


Figure 1. I²C Interface Timing

7.7 Typical Characteristics

at $T_A = 25^\circ\text{C}$, $V_{DD} = 3.3\text{ V}$, $\text{FSR} = \pm 2.048\text{ V}$, $\text{DR} = 8\text{ SPS}$ (unless otherwise noted)

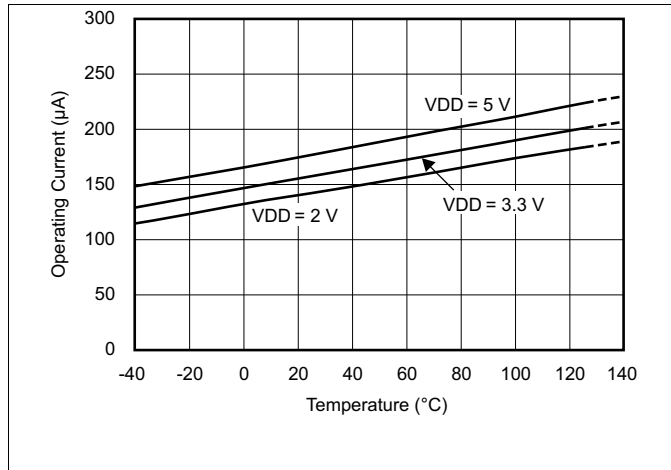


Figure 2. Operating Current vs Temperature

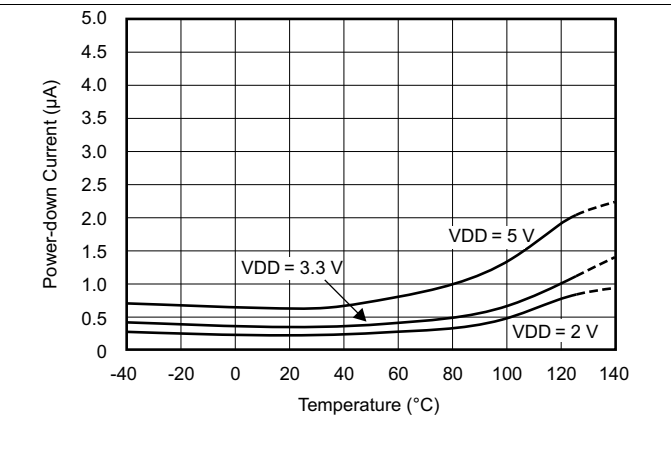


Figure 3. Power-Down Current vs Temperature

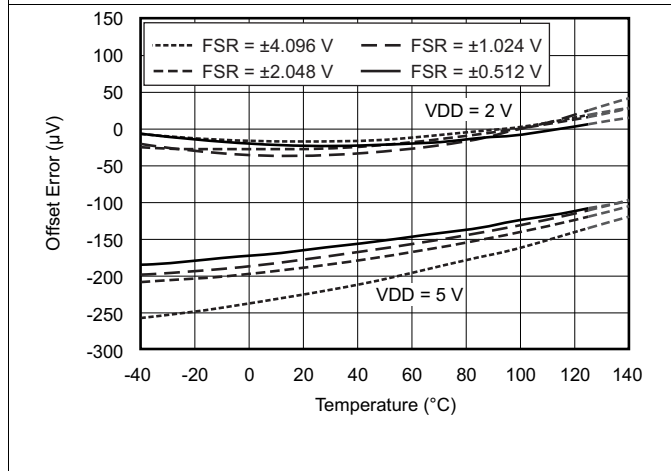


Figure 4. Single-Ended Offset Error vs Temperature

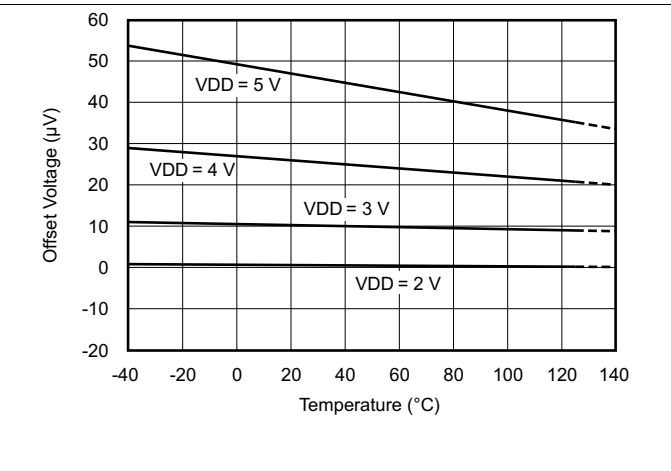


Figure 5. Differential Offset vs Temperature

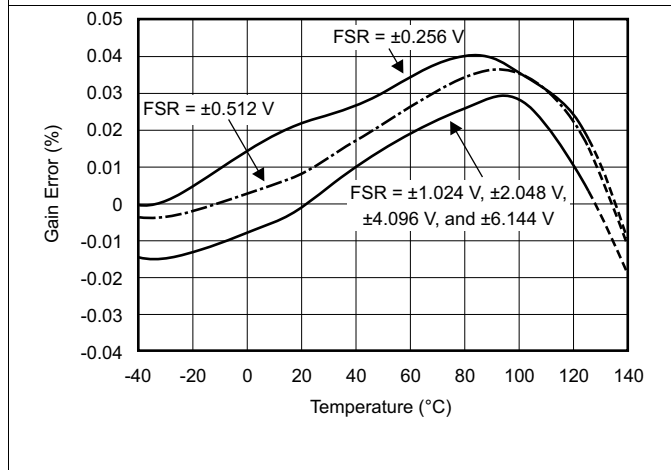


Figure 6. Gain Error vs Temperature

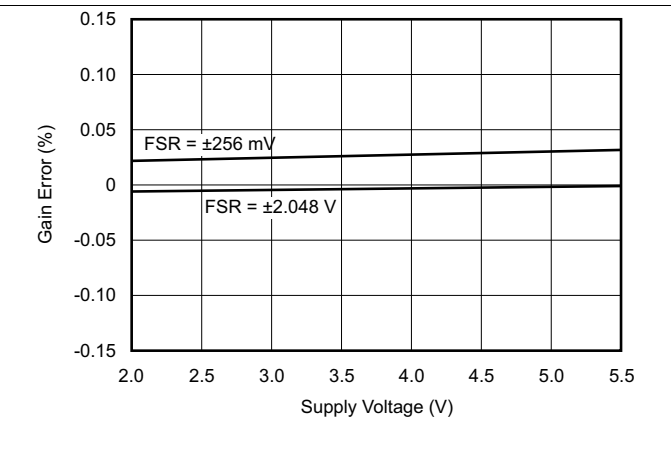


Figure 7. Gain Error vs Supply Voltage

Typical Characteristics (continued)

at $T_A = 25^\circ\text{C}$, $V_{DD} = 3.3\text{ V}$, $\text{FSR} = \pm 2.048\text{ V}$, $\text{DR} = 8\text{ SPS}$ (unless otherwise noted)

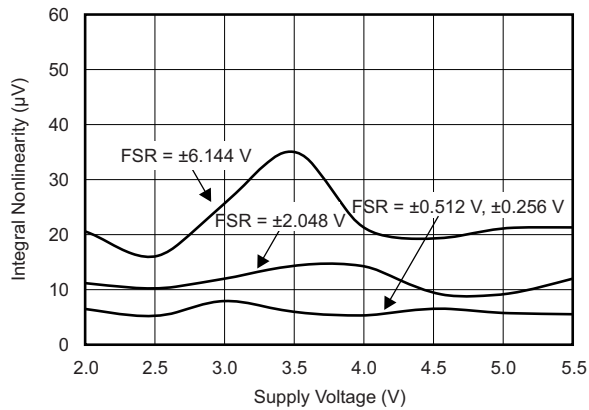


Figure 8. INL vs Supply Voltage

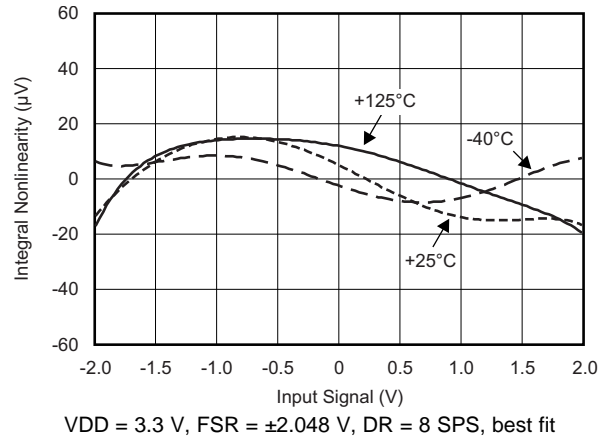


Figure 9. INL vs Input Signal

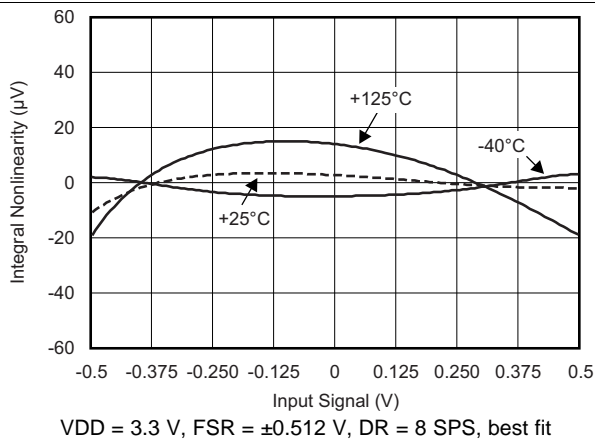


Figure 10. INL vs Input Signal

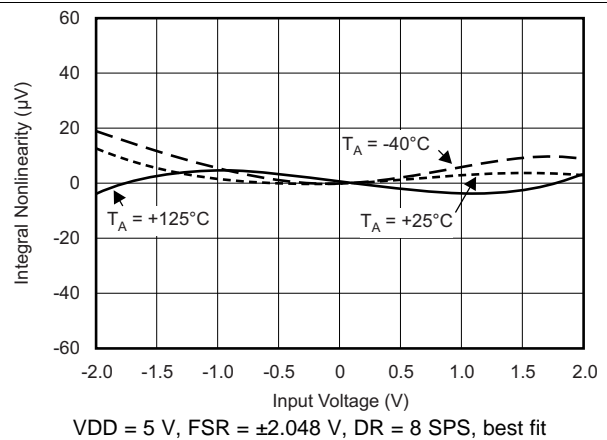


Figure 11. INL vs Input Signal

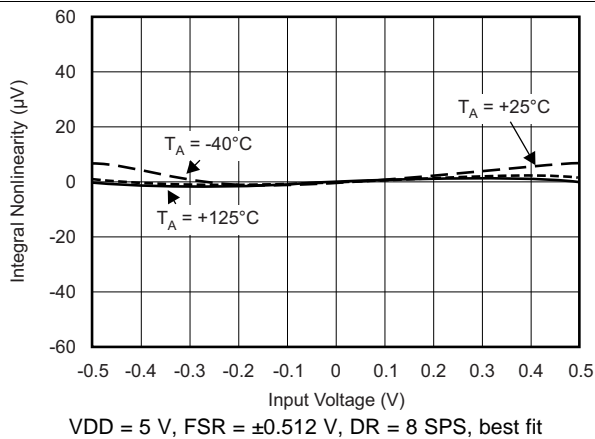


Figure 12. INL vs Input Signal

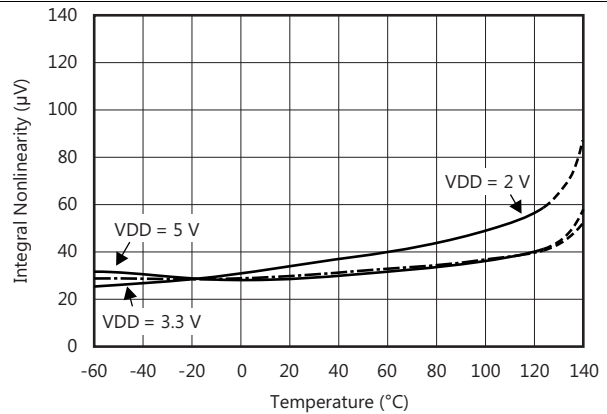


Figure 13. INL vs Temperature

Typical Characteristics (continued)

at $T_A = 25^\circ\text{C}$, $V_{DD} = 3.3\text{ V}$, $\text{FSR} = \pm 2.048\text{ V}$, $\text{DR} = 8\text{ SPS}$ (unless otherwise noted)

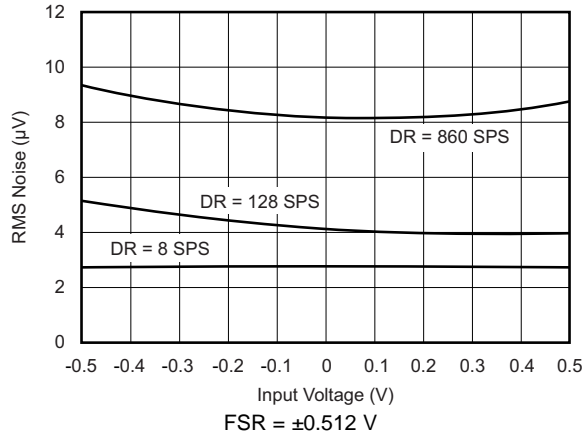


Figure 14. Noise vs Input Signal

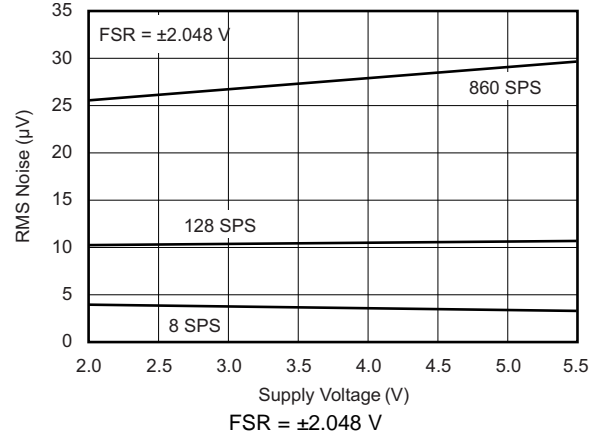


Figure 15. Noise vs Supply Voltage

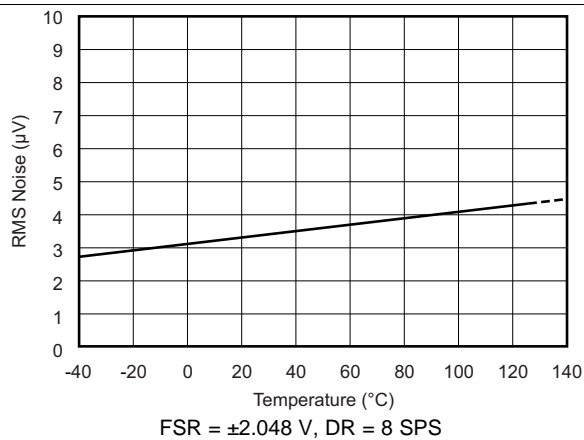


Figure 16. Noise vs Temperature

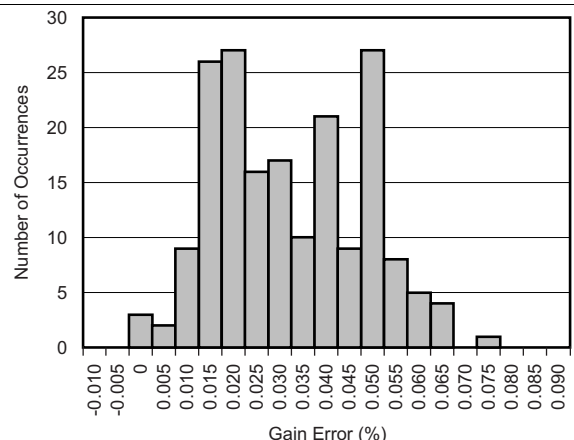


Figure 17. Gain Error Histogram

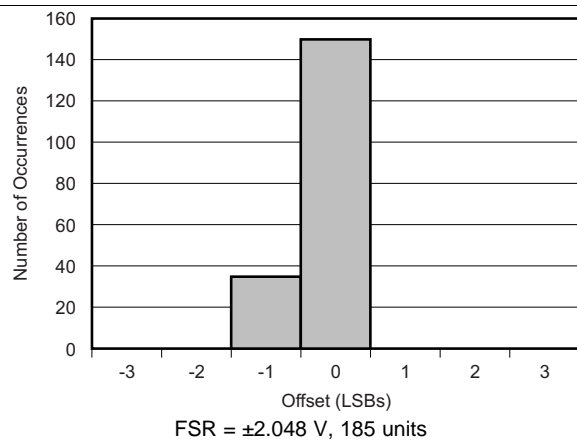


Figure 18. Offset Histogram

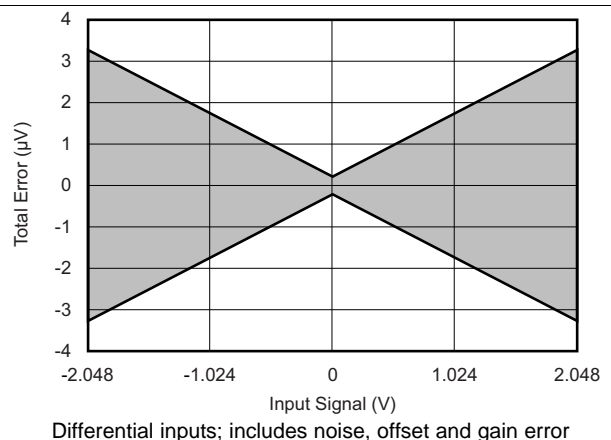
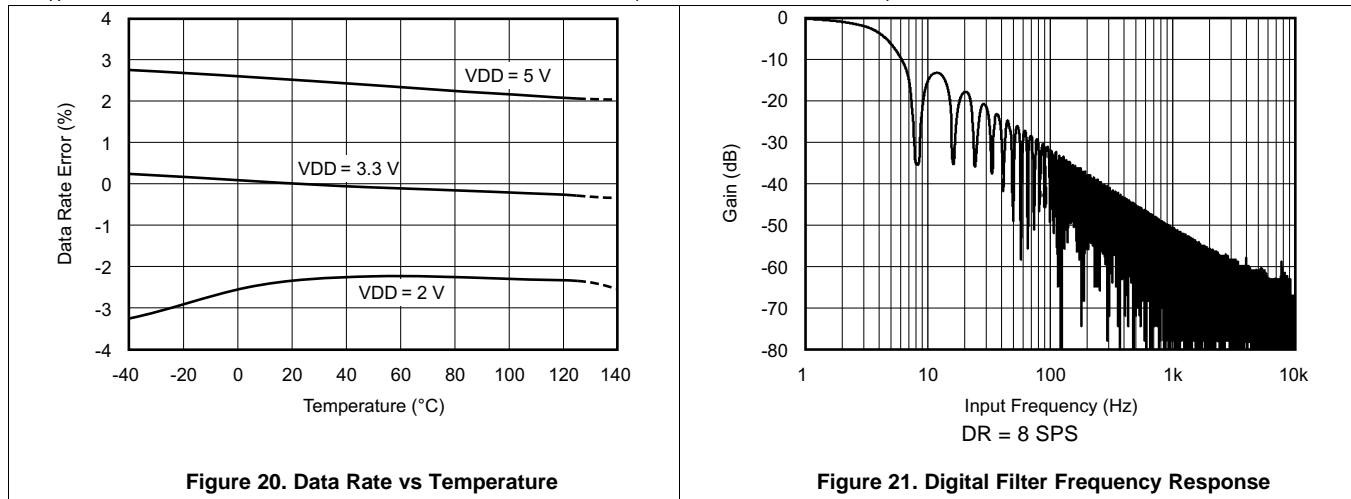


Figure 19. Total Error vs Input Signal

Typical Characteristics (continued)

at $T_A = 25^\circ\text{C}$, $V_{DD} = 3.3\text{ V}$, $\text{FSR} = \pm 2.048\text{ V}$, $\text{DR} = 8\text{ SPS}$ (unless otherwise noted)



8 Parameter Measurement Information

8.1 Noise Performance

Delta-sigma ($\Delta\Sigma$) analog-to-digital converters (ADCs) are based on the principle of oversampling. The input signal of a $\Delta\Sigma$ ADC is sampled at a high frequency (modulator frequency) and subsequently filtered and decimated in the digital domain to yield a conversion result at the respective output data rate. The ratio between modulator frequency and output data rate is called *oversampling ratio* (OSR). By increasing the OSR, and thus reducing the output data rate, the noise performance of the ADC can be optimized. In other words, the input-referred noise drops when reducing the output data rate because more samples of the internal modulator are averaged to yield one conversion result. Increasing the gain also reduces the input-referred noise, which is particularly useful when measuring low-level signals.

Table 1 and Table 2 summarize the ADS111x noise performance. Data are representative of typical noise performance at $T_A = 25^\circ\text{C}$ with the inputs shorted together externally. Table 1 shows the input-referred noise in units of μV_{RMS} for the conditions shown. Note that μV_{PP} values are shown in parenthesis. Table 2 shows the effective resolution calculated from μV_{RMS} values using Equation 1. The noise-free resolution calculated from peak-to-peak noise values using Equation 2 are shown in parenthesis.

$$\text{Effective Resolution} = \ln(\text{FSR} / V_{\text{RMS-Noise}}) / \ln(2) \quad (1)$$

$$\text{Noise-Free Resolution} = \ln(\text{FSR} / V_{\text{PP-Noise}}) / \ln(2) \quad (2)$$

Table 1. Noise in μV_{RMS} (μV_{PP}) at VDD = 3.3 V

DATA RATE (SPS)	FSR (Full-Scale Range)					
	$\pm 6.144 \text{ V}$	$\pm 4.096 \text{ V}$	$\pm 2.048 \text{ V}$	$\pm 1.024 \text{ V}$	$\pm 0.512 \text{ V}$	$\pm 0.256 \text{ V}$
8	187.5 (187.5)	125 (125)	62.5 (62.5)	31.25 (31.25)	15.62 (15.62)	7.81 (7.81)
16	187.5 (187.5)	125 (125)	62.5 (62.5)	31.25 (31.25)	15.62 (15.62)	7.81 (7.81)
32	187.5 (187.5)	125 (125)	62.5 (62.5)	31.25 (31.25)	15.62 (15.62)	7.81 (7.81)
64	187.5 (187.5)	125 (125)	62.5 (62.5)	31.25 (31.25)	15.62 (15.62)	7.81 (7.81)
128	187.5 (187.5)	125 (125)	62.5 (62.5)	31.25 (31.25)	15.62 (15.62)	7.81 (12.35)
250	187.5 (252.09)	125 (148.28)	62.5 (84.03)	31.25 (39.54)	15.62 (16.06)	7.81 (18.53)
475	187.5 (266.92)	125 (227.38)	62.5 (79.08)	31.25 (56.84)	15.62 (32.13)	7.81 (25.95)
860	187.5 (430.06)	125 (266.93)	62.5 (118.63)	31.25 (64.26)	15.62 (40.78)	7.81 (35.83)

Table 2. Effective Resolution from RMS Noise (Noise-Free Resolution from Peak-to-Peak Noise) at VDD = 3.3 V

DATA RATE (SPS)	FSR (Full-Scale Range)					
	$\pm 6.144 \text{ V}$	$\pm 4.096 \text{ V}$	$\pm 2.048 \text{ V}$	$\pm 1.024 \text{ V}$	$\pm 0.512 \text{ V}$	$\pm 0.256 \text{ V}$
8	16 (16)	16 (16)	16 (16)	16 (16)	16 (16)	16 (16)
16	16 (16)	16 (16)	16 (16)	16 (16)	16 (16)	16 (16)
32	16 (16)	16 (16)	16 (16)	16 (16)	16 (16)	16 (16)
64	16 (16)	16 (16)	16 (16)	16 (16)	16 (16)	16 (16)
128	16 (16)	16 (16)	16 (16)	16 (16)	16 (16)	16 (15.33)
250	16 (15.57)	16 (15.75)	16 (15.57)	16 (15.66)	16 (15.96)	16 (14.75)
475	16 (15.49)	16 (15.13)	16 (15.66)	16 (15.13)	16 (14.95)	16 (14.26)
860	16 (14.8)	16 (14.9)	16 (15.07)	16 (14.95)	16 (14.61)	16 (13.8)

9 Detailed Description

9.1 Overview

The ADS111x are very small, low-power, 16-bit, delta-sigma ($\Delta\Sigma$) analog-to-digital converters (ADCs). The ADS111x consist of a $\Delta\Sigma$ ADC core with an internal voltage reference, a clock oscillator and an I²C interface. The ADS1114 and ADS1115 also integrate a programmable gain amplifier (PGA) and a programmable digital comparator. Figure 22, Figure 23, and Figure 24 show the functional block diagrams of ADS1115, ADS1114, and ADS1113, respectively.

The ADS111x ADC core measures a differential signal, V_{IN} , that is the difference of $V_{(AINP)}$ and $V_{(AINN)}$. The converter core consists of a differential, switched-capacitor $\Delta\Sigma$ modulator followed by a digital filter. This architecture results in a very strong attenuation of any common-mode signals. Input signals are compared to the internal voltage reference. The digital filter receives a high-speed bitstream from the modulator and outputs a code proportional to the input voltage.

The ADS111x have two available conversion modes: single-shot and continuous-conversion. In single-shot mode, the ADC performs one conversion of the input signal upon request, stores the conversion value to an internal conversion register, and then enters a power-down state. This mode is intended to provide significant power savings in systems that only require periodic conversions or when there are long idle periods between conversions. In continuous-conversion mode, the ADC automatically begins a conversion of the input signal as soon as the previous conversion is completed. The rate of continuous conversion is equal to the programmed data rate. Data can be read at any time and always reflect the most recent completed conversion.

9.2 Functional Block Diagrams

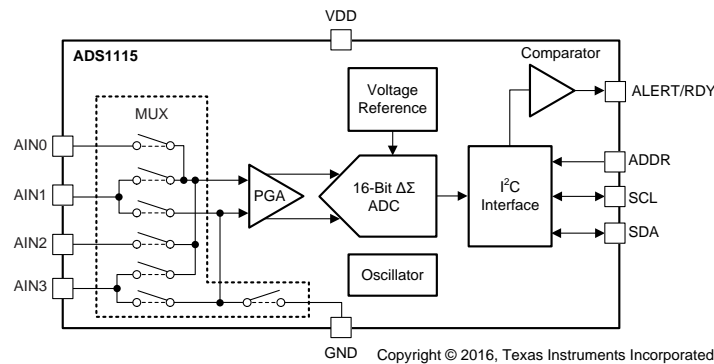


Figure 22. ADS1115 Block Diagram

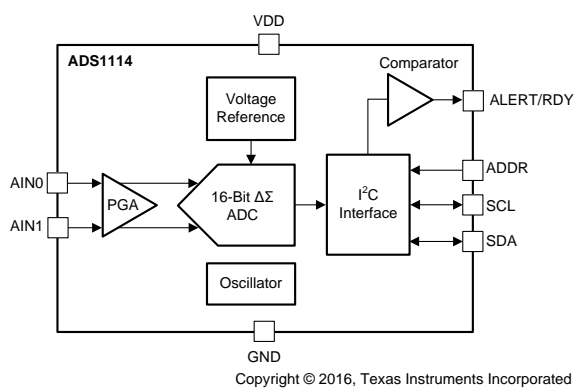


Figure 23. ADS1114 Block Diagram

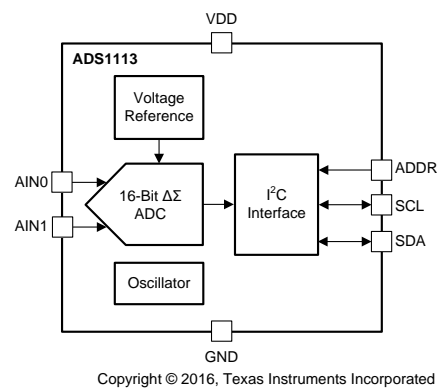
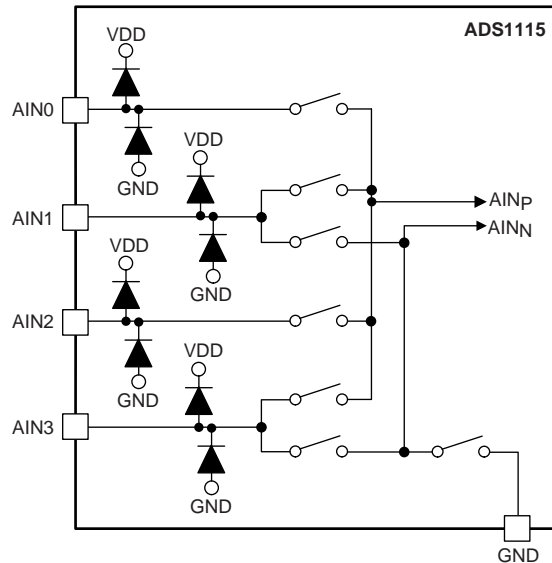


Figure 24. ADS1113 Block Diagram

9.3 Feature Description

9.3.1 Multiplexer

The ADS1115 contains an input multiplexer (MUX), as shown in [Figure 25](#). Either four single-ended or two differential signals can be measured. Additionally, AIN0 and AIN1 may be measured differentially to AIN3. The multiplexer is configured by bits MUX[2:0] in the [Config register](#). When single-ended signals are measured, the negative input of the ADC is internally connected to GND by a switch within the multiplexer.



Copyright © 2016, Texas Instruments Incorporated

Figure 25. Input Multiplexer

The ADS1113 and ADS1114 do not have an input multiplexer and can measure either one differential signal or one single-ended signal. For single-ended measurements, connect the AIN1 pin to GND externally. In subsequent sections of this data sheet, AIN_P refers to AIN0 and AIN_N refers to AIN1 for the ADS1113 and ADS1114.

Electrostatic discharge (ESD) diodes connected to VDD and GND protect the ADS111x analog inputs. Keep the absolute voltage of any input within the range shown in [Equation 3](#) to prevent the ESD diodes from turning on.

$$\text{GND} - 0.3 \text{ V} < V_{(\text{AINX})} < \text{VDD} + 0.3 \text{ V} \quad (3)$$

If the voltages on the input pins can potentially violate these conditions, use external Schottky diodes and series resistors to limit the input current to safe values (see the [Absolute Maximum Ratings](#) table).

Feature Description (continued)

9.3.2 Analog Inputs

The ADS111x use a switched-capacitor input stage where capacitors are continuously charged and then discharged to measure the voltage between A_{INP} and A_{INN} . The frequency at which the input signal is sampled is called the sampling frequency or the modulator frequency (f_{MOD}). The ADS111x has a 1-MHz internal oscillator that is further divided by a factor of 4 to generate f_{MOD} at 250 kHz. The capacitors used in this input stage are small, and to external circuitry, the average loading appears resistive. Figure 26 shows this structure. The capacitor values set the resistance and switching rate. Figure 27 shows the timing for the switches in Figure 26. During the sampling phase, switches S_1 are closed. This event charges C_{A1} to $V_{(A_{INP})}$, C_{A2} to $V_{(A_{INN})}$, and C_B to $(V_{(A_{INP})} - V_{(A_{INN})})$. During the discharge phase, S_1 is first opened and then S_2 is closed. Both C_{A1} and C_{A2} then discharge to approximately 0.7 V and C_B discharges to 0 V. This charging draws a very small transient current from the source driving the ADS111x analog inputs. The average value of this current can be used to calculate the effective impedance (Z_{eff}), where $Z_{eff} = V_{IN} / I_{AVERAGE}$.

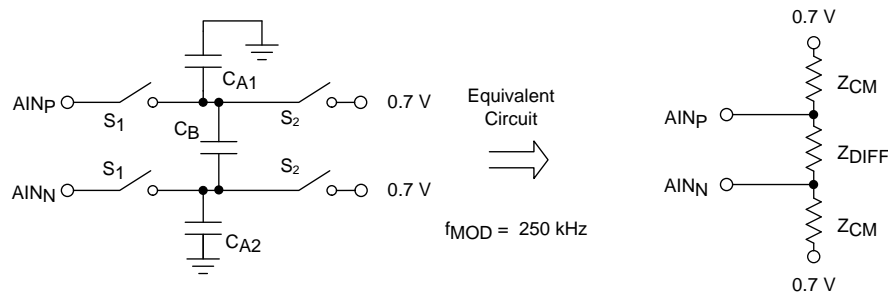


Figure 26. Simplified Analog Input Circuit

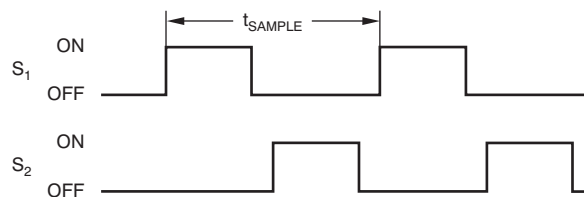


Figure 27. S_1 and S_2 Switch Timing

The common-mode input impedance is measured by applying a common-mode signal to the shorted A_{INP} and A_{INN} inputs and measuring the average current consumed by each pin. The common-mode input impedance changes depending on the full-scale range, but is approximately 6 M Ω for the default full-scale range. In Figure 26, the common-mode input impedance is Z_{CM} .

The differential input impedance is measured by applying a differential signal to A_{INP} and A_{INN} inputs where one input is held at 0.7 V. The current that flows through the pin connected to 0.7 V is the differential current and scales with the full-scale range. In Figure 26, the differential input impedance is Z_{DIFF} .

Make sure to consider the typical value of the input impedance. Unless the input source has a low impedance, the ADS111x input impedance may affect the measurement accuracy. For sources with high-output impedance, buffering may be necessary. Active buffers introduce noise, and also introduce offset and gain errors. Consider all of these factors in high-accuracy applications.

The clock oscillator frequency drifts slightly with temperature; therefore, the input impedances also drift. For most applications, this input impedance drift is negligible, and can be ignored.

Feature Description (continued)

9.3.3 Full-Scale Range (FSR) and LSB Size

A programmable gain amplifier (PGA) is implemented before the $\Delta\Sigma$ ADC of the ADS1114 and ADS1115. The full-scale range is configured by bits PGA[2:0] in the [Config register](#) and can be set to ± 6.144 V, ± 4.096 V, ± 2.048 V, ± 1.024 V, ± 0.512 V, ± 0.256 V. [Table 3](#) shows the FSR together with the corresponding LSB size. [Equation 4](#) shows how to calculate the LSB size from the selected full-scale range.

$$\text{LSB} = \text{FSR} / 2^{16} \quad (4)$$

Table 3. Full-Scale Range and Corresponding LSB Size

FSR	LSB SIZE
± 6.144 V ⁽¹⁾	187.5 μ V
± 4.096 V ⁽¹⁾	125 μ V
± 2.048 V	62.5 μ V
± 1.024 V	31.25 μ V
± 0.512 V	15.625 μ V
± 0.256 V	7.8125 μ V

(1) This parameter expresses the full-scale range of the ADC scaling. Do not apply more than VDD + 0.3 V to the analog inputs of the device.

The FSR of the ADS1113 is fixed at ± 2.048 V.

Analog input voltages must never exceed the analog input voltage limits given in the [Absolute Maximum Ratings](#). If a VDD supply voltage greater than 4 V is used, the ± 6.144 V full-scale range allows input voltages to extend up to the supply. Although in this case (or whenever the supply voltage is less than the full-scale range; for example, VDD = 3.3 V and full-scale range = ± 4.096 V), a full-scale ADC output code cannot be obtained. For example, with VDD = 3.3 V and FSR = ± 4.096 V, only signals up to $V_{IN} = \pm 3.3$ V can be measured. The code range that represents voltages $|V_{IN}| > 3.3$ V is not used in this case.

9.3.4 Voltage Reference

The ADS111x have an integrated voltage reference. An external reference cannot be used with these devices. Errors associated with the initial voltage reference accuracy and the reference drift with temperature are included in the gain error and gain drift specifications in the [Electrical Characteristics](#) table.

9.3.5 Oscillator

The ADS111x have an integrated oscillator running at 1 MHz. No external clock can be applied to operate these devices. The internal oscillator drifts over temperature and time. The output data rate scales proportionally with the oscillator frequency.

9.3.6 Output Data Rate and Conversion Time

The ADS111x offer programmable output data rates. Use the DR[2:0] bits in the [Config register](#) to select output data rates of 8 SPS, 16 SPS, 32 SPS, 64 SPS, 128 SPS, 250 SPS, 475 SPS, or 860 SPS.

Conversions in the ADS111x settle within a single cycle; thus, the conversion time is equal to 1 / DR.

9.3.7 Digital Comparator (ADS1114 and ADS1115 Only)

The ADS1115 and ADS1114 feature a programmable digital comparator that can issue an alert on the ALERT/RDY pin. The COMP_MODE bit in the [Config register](#) configures the comparator as either a traditional comparator or a window comparator. In traditional comparator mode, the ALERT/RDY pin asserts (active low by default) when conversion data exceeds the limit set in the high-threshold register (Hi_thresh). The comparator then deasserts only when the conversion data falls below the limit set in the low-threshold register (Lo_thresh). In window comparator mode, the ALERT/RDY pin asserts when the conversion data exceed the Hi_thresh register or fall below the Lo_thresh register value.

ADS1113, ADS1114, ADS1115

ZHCS311D –MAY 2009–REVISED JANUARY 2018

www.ti.com.cn

In either window or traditional comparator mode, the comparator can be configured to latch after being asserted by the COMP_LAT bit in the Config register. This setting causes the assertion to remain even if the input signal is not beyond the bounds of the threshold registers. This latched assertion can only be cleared by issuing an SMBus alert response or by reading the [Conversion register](#). The ALERT/RDY pin can be configured as active high or active low by the COMP_POL bit in the Config register. Operational diagrams for both the comparator modes are shown in [Figure 28](#).

The comparator can also be configured to activate the ALERT/RDY pin only after a set number of successive readings exceed the threshold values set in the threshold registers (Hi_thresh and Lo_thresh). The COMP_QUE[1:0] bits in the Config register configures the comparator to wait for one, two, or four readings beyond the threshold before activating the ALERT/RDY pin. The COMP_QUE[1:0] bits can also disable the comparator function, and put the ALERT/RDY pin into a high state.

9.3.8 Conversion Ready Pin (ADS1114 and ADS1115 Only)

The ALERT/RDY pin can also be configured as a conversion ready pin. Set the most-significant bit of the Hi_thresh register to 1 and the most-significant bit of Lo_thresh register to 0 to enable the pin as a conversion ready pin. The COMP_POL bit continues to function as expected. Set the COMP_QUE[1:0] bits to any 2-bit value other than 11 to keep the ALERT/RDY pin enabled, and allow the conversion ready signal to appear at the ALERT/RDY pin output. The COMP_MODE and COMP_LAT bits no longer control any function. When configured as a conversion ready pin, ALERT/RDY continues to require a pullup resistor. The ADS111x provide an approximately 8- μ s conversion ready pulse on the ALERT/RDY pin at the end of each conversion in continuous-conversion mode, as shown in Figure 29. In single-shot mode, the ALERT/RDY pin asserts low at the end of a conversion if the COMP_POL bit is set to 0.

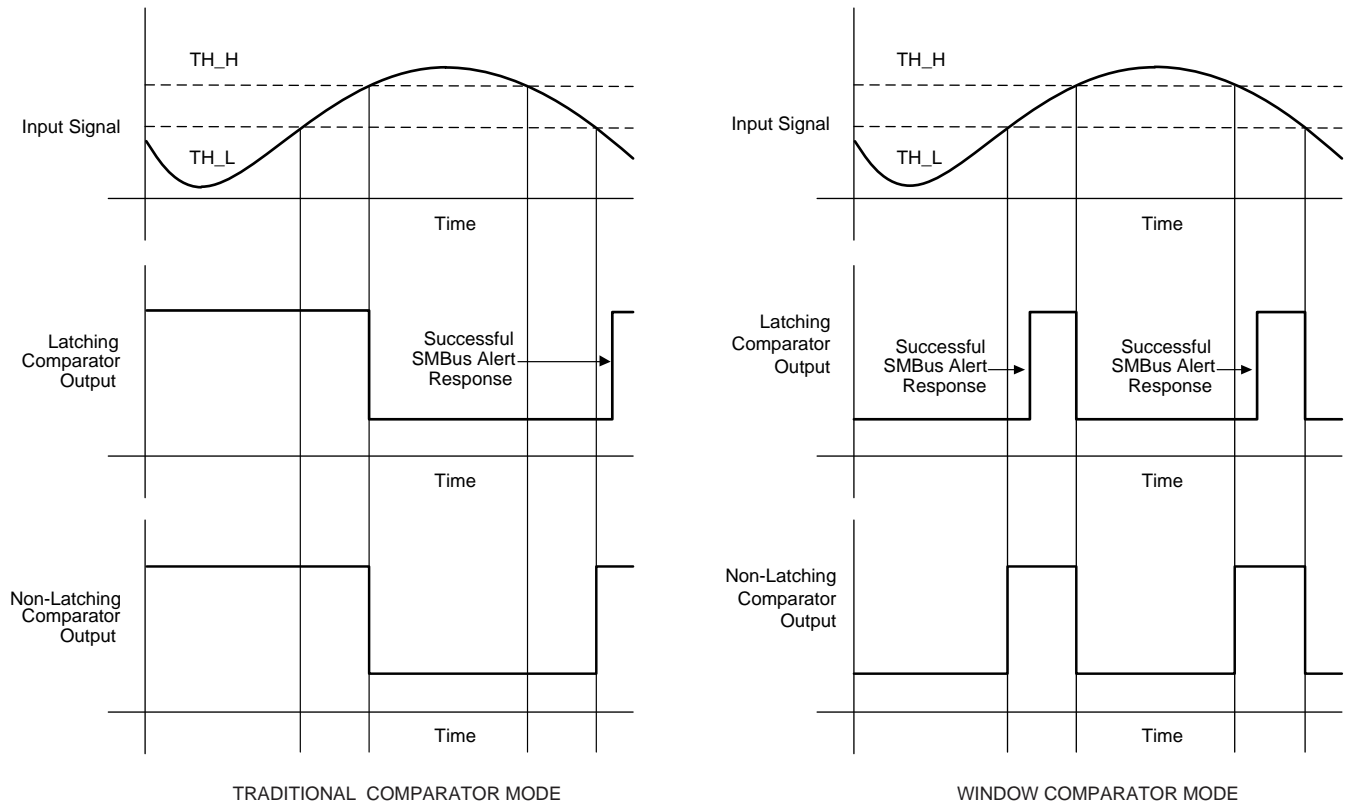


Figure 28. ALERT Pin Timing Diagram

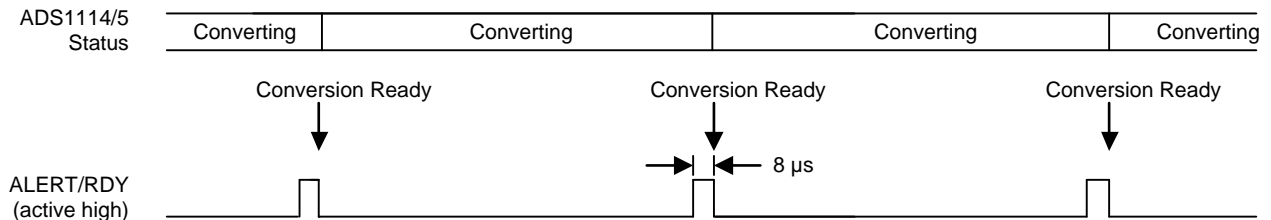


Figure 29. Conversion Ready Pulse in Continuous-Conversion Mode

9.3.9 SMBus Alert Response

In latching comparator mode ($COMP_LAT = 1$), the ALERT/RDY pin asserts when the comparator detects a conversion that exceeds the upper or lower threshold value. This assertion is latched and can be cleared only by reading conversion data, or by issuing a successful SMBus alert response and reading the asserting device I²C address. If conversion data exceed the upper or lower threshold values after being cleared, the pin reasserts. This assertion does not affect conversions that are already in progress. The ALERT/RDY pin is an open-drain output. This architecture allows several devices to share the same interface bus. When disabled, the pin holds a high state so that the pin does not interfere with other devices on the same bus line.

When the master senses that the ALERT/RDY pin has latched, the master issues an SMBus alert command (00011001) to the I²C bus. Any ADS1114 and ADS1115 data converters on the I²C bus with the ALERT/RDY pins asserted respond to the command with the slave address. If more than one ADS111x on the I²C bus assert the latched ALERT/RDY pin, arbitration during the address response portion of the SMBus alert determines which device clears assertion. The device with the lowest I²C address always wins arbitration. If a device loses arbitration, the device does not clear the comparator output pin assertion. The master then repeats the SMBus alert response until all devices have the respective assertions cleared. In window comparator mode, the SMBus alert status bit indicates a 1 if signals exceed the high threshold, and a 0 if signals exceed the low threshold.

9.4 Device Functional Modes

9.4.1 Reset and Power-Up

The ADS111x reset on power-up and set all the bits in the [Config register](#) to the respective default settings. The ADS111x enter a power-down state after completion of the reset process. The device interface and digital blocks are active, but no data conversions are performed. The initial power-down state of the ADS111x relieves systems with tight power-supply requirements from encountering a surge during power-up.

The ADS111x respond to the I²C general-call reset commands. When the ADS111x receive a general call reset command (06h), an internal reset is performed as if the device is powered-up.

9.4.2 Operating Modes

The ADS111x operate in one of two modes: continuous-conversion or single-shot. The MODE bit in the Config register selects the respective operating mode.

9.4.2.1 Single-Shot Mode

When the MODE bit in the Config register is set to 1, the ADS111x enter a power-down state, and operate in single-shot mode. This power-down state is the default state for the ADS111x when power is first applied. Although powered down, the devices still respond to commands. The ADS111x remain in this power-down state until a 1 is written to the operational status (OS) bit in the Config register. When the OS bit is asserted, the device powers up in approximately 25 μ s, resets the OS bit to 0, and starts a single conversion. When conversion data are ready for retrieval, the device powers down again. Writing a 1 to the OS bit while a conversion is ongoing has no effect. To switch to continuous-conversion mode, write a 0 to the MODE bit in the Config register.

9.4.2.2 Continuous-Conversion Mode

In continuous-conversion mode (MODE bit set to 0), the ADS111x perform conversions continuously. When a conversion is complete, the ADS111x place the result in the [Conversion register](#) and immediately begin another conversion. When writing new configuration settings, the currently ongoing conversion completes with the previous configuration settings. Thereafter, continuous conversions with the new configuration settings start. To switch to single-shot conversion mode, write a 1 to the MODE bit in the configuration register or reset the device.

9.4.3 Duty Cycling For Low Power

The noise performance of a $\Delta\Sigma$ ADC generally improves when lowering the output data rate because more samples of the internal modulator are averaged to yield one conversion result. In applications where power consumption is critical, the improved noise performance at low data rates may not be required. For these applications, the ADS111x support duty cycling that yield significant power savings by periodically requesting high data rate readings at an effectively lower data rate. For example, an ADS111x in power-down state with a data rate set to 860 SPS can be operated by a microcontroller that instructs a single-shot conversion every 125 ms (8 SPS). A conversion at 860 SPS only requires approximately 1.2 ms, so the ADS111x enter power-down state for the remaining 123.8 ms. In this configuration, the ADS111x consume approximately 1/100th the power that is otherwise consumed in continuous-conversion mode. The duty cycling rate is completely arbitrary and is defined by the master controller. The ADS111x offer lower data rates that do not implement duty cycling and also offer improved noise performance if required.

9.5 Programming

9.5.1 I²C Interface

The ADS111x communicate through an I²C interface. I²C is a two-wire open-drain interface that supports multiple devices and masters on a single bus. Devices on the I²C bus only drive the bus lines low by connecting them to ground; the devices never drive the bus lines high. Instead, the bus wires are pulled high by pullup resistors, so the bus wires are always high when no device is driving them low. As a result of this configuration, two devices cannot conflict. If two devices drive the bus simultaneously, there is no driver contention.

Communication on the I²C bus always takes place between two devices, one acting as the master and the other as the slave. Both the master and slave can read and write, but the slave can only do so under the direction of the master. Some I²C devices can act as a master or slave, but the ADS111x can only act as a slave device.

An I²C bus consists of two lines: SDA and SCL. SDA carries data; SCL provides the clock. All data are transmitted across the I²C bus in groups of eight bits. To send a bit on the I²C bus, drive the SDA line to the appropriate level while SCL is low (a low on SDA indicates the bit is zero; a high indicates the bit is one). After the SDA line settles, the SCL line is brought high, then low. This pulse on SCL clocks the SDA bit into the receiver shift register. If the I²C bus is held idle for more than 25 ms, the bus times out.

The I²C bus is bidirectional; that is, the SDA line is used for both transmitting and receiving data. When the master reads from a slave, the slave drives the data line; when the master sends to a slave, the master drives the data line. The master always drives the clock line. The ADS111x cannot act as a master, and therefore can never drive SCL.

Most of the time the bus is idle; no communication occurs, and both lines are high. When communication takes place, the bus is active. Only a master device can start a communication and initiate a START condition on the bus. Normally, the data line is only allowed to change state while the clock line is low. If the data line changes state while the clock line is high, it is either a START condition or a STOP condition. A START condition occurs when the clock line is high, and the data line goes from high to low. A STOP condition occurs when the clock line is high, and the data line goes from low to high.

After the master issues a START condition, the master sends a byte that indicates with which slave device to communicate. This byte is called the *address byte*. Each device on an I²C bus has a unique 7-bit address to which it responds. The master sends an address in the address byte, together with a bit that indicates whether the master wishes to read from or write to the slave device.

Every byte (address and data) transmitted on the I²C bus is acknowledged with an *acknowledge* bit. When the master finishes sending a byte (eight data bits) to a slave, the master stops driving SDA and waits for the slave to acknowledge the byte. The slave acknowledges the byte by pulling SDA low. The master then sends a clock pulse to clock the acknowledge bit. Similarly, when the master completes reading a byte, the master pulls SDA low to acknowledge this completion to the slave. The master then sends a clock pulse to clock the bit. The master always drives the clock line.

If a device is not present on the bus, and the master attempts to address it, it receives a *not-acknowledge* because no device is present at that address to pull the line low. A not-acknowledge is performed by simply leaving SDA high during an acknowledge cycle.

When the master has finished communicating with a slave, it may issue a STOP condition. When a STOP condition is issued, the bus becomes idle again. The master may also issue another START condition. When a START condition is issued while the bus is active, it is called a repeated start condition.

The [Timing Requirements](#) section shows a timing diagram for the ADS111x I²C communication.

Programming (continued)

9.5.1.1 I²C Address Selection

The ADS111x have one address pin, ADDR, that configures the I²C address of the device. This pin can be connected to GND, VDD, SDA, or SCL, allowing for four different addresses to be selected with one pin, as shown in [Table 4](#). The state of address pin ADDR is sampled continuously. Use the GND, VDD and SCL addresses first. If SDA is used as the device address, hold the SDA line low for at least 100 ns after the SCL line goes low to make sure the device decodes the address correctly during I²C communication.

Table 4. ADDR Pin Connection and Corresponding Slave Address

ADDR PIN CONNECTION	SLAVE ADDRESS
GND	1001000
VDD	1001001
SDA	1001010
SCL	1001011

9.5.1.2 I²C General Call

The ADS111x respond to the I²C general call address (0000000) if the eighth bit is 0. The devices acknowledge the general call address and respond to commands in the second byte. If the second byte is 00000110 (06h), the ADS111x reset the internal registers and enter a power-down state.

9.5.1.3 I²C Speed Modes

The I²C bus operates at one of three speeds. Standard mode allows a clock frequency of up to 100 kHz; fast mode permits a clock frequency of up to 400 kHz; and high-speed mode (also called Hs mode) allows a clock frequency of up to 3.4 MHz. The ADS111x are fully compatible with all three modes.

No special action is required to use the ADS111x in standard or fast mode, but high-speed mode must be activated. To activate high-speed mode, send a special address byte of 00001xxx following the START condition, where xxx are bits unique to the Hs-capable master. This byte is called the Hs master code, and is different from normal address bytes; the eighth bit does not indicate read/write status. The ADS111x do not acknowledge this byte; the I²C specification prohibits acknowledgment of the Hs master code. Upon receiving a master code, the ADS111x switch on Hs mode filters, and communicate at up to 3.4 MHz. The ADS111x switch out of Hs mode with the next STOP condition.

For more information on high-speed mode, consult the I²C specification.

9.5.2 Slave Mode Operations

The ADS111x act as slave receivers or slave transmitters. The ADS111x cannot drive the SCL line as slave devices.

9.5.2.1 Receive Mode

In slave receive mode, the first byte transmitted from the master to the slave consists of the 7-bit device address followed by a low R/W bit. The next byte transmitted by the master is the [Address Pointer register](#). The ADS111x then acknowledge receipt of the Address Pointer register byte. The next two bytes are written to the address given by the register address pointer bits, P[1:0]. The ADS111x acknowledge each byte sent. Register bytes are sent with the most significant byte first, followed by the least significant byte.

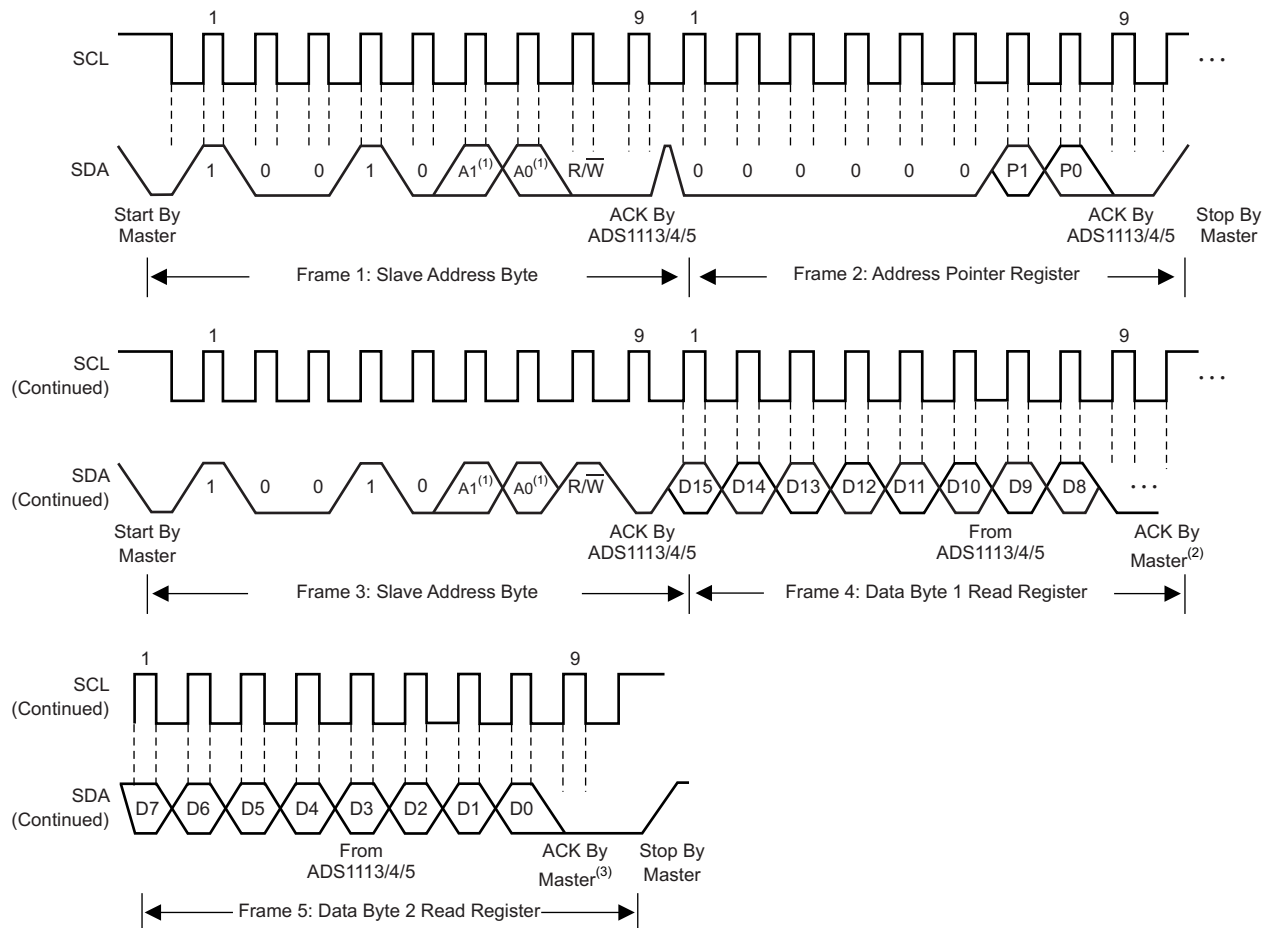
9.5.2.2 Transmit Mode

In slave transmit mode, the first byte transmitted by the master is the 7-bit slave address followed by the high R/W bit. This byte places the slave into transmit mode and indicates that the ADS111x are being read from. The next byte transmitted by the slave is the most significant byte of the register that is indicated by the register address pointer bits, P[1:0]. This byte is followed by an acknowledgment from the master. The remaining least significant byte is then sent by the slave and is followed by an acknowledgment from the master. The master may terminate transmission after any byte by not acknowledging or issuing a START or STOP condition.

9.5.3 Writing To and Reading From the Registers

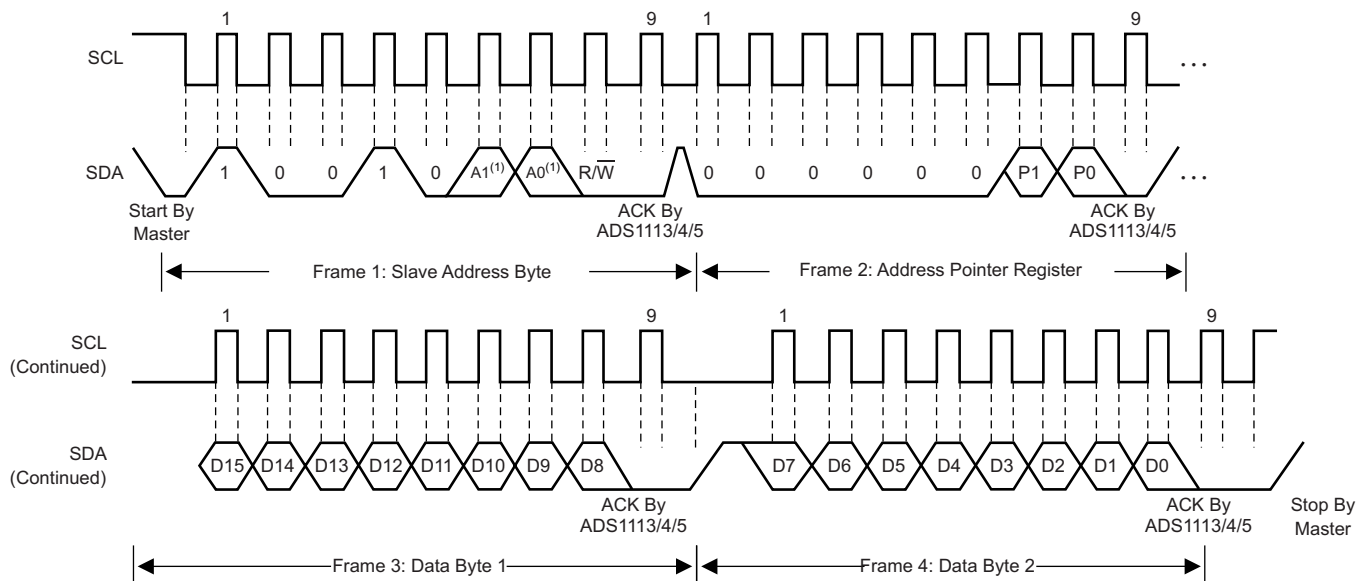
To access a specific register from the ADS111x, the master must first write an appropriate value to register address pointer bits P[1:0] in the [Address Pointer register](#). The Address Pointer register is written to directly after the slave address byte, low R/W bit, and a successful slave acknowledgment. After the Address Pointer register is written, the slave acknowledges, and the master issues a STOP or a repeated START condition.

When reading from the ADS111x, the previous value written to bits P[1:0] determines the register that is read. To change which register is read, a new value must be written to P[1:0]. To write a new value to P[1:0], the master issues a slave address byte with the R/W bit low, followed by the Address Pointer register byte. No additional data has to be transmitted, and a STOP condition can be issued by the master. The master can now issue a START condition and send the slave address byte with the R/W bit high to begin the read. [Figure 37](#) details this sequence. If repeated reads from the same register are desired, there is no need to continually send the Address Pointer register, because the ADS111x store the value of P[1:0] until it is modified by a write operation. However, for every write operation, the Address Pointer register must be written with the appropriate values.



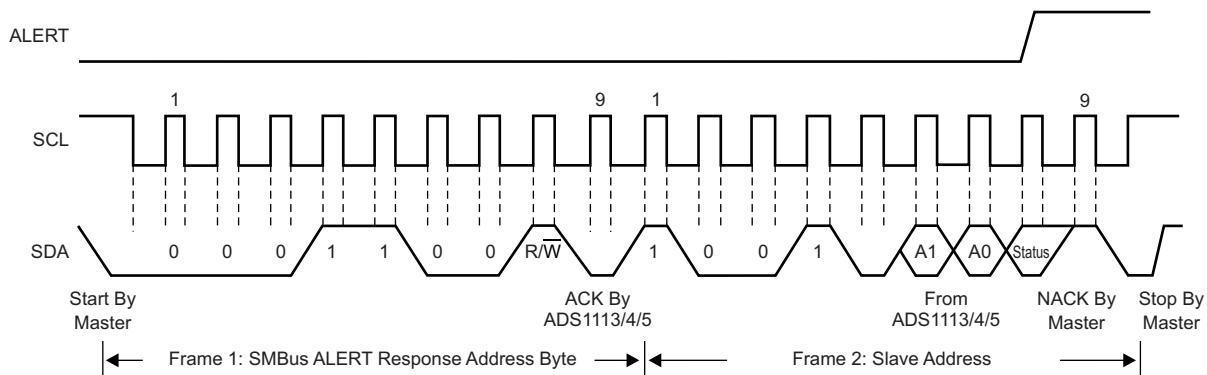
- (1) The values of A0 and A1 are determined by the ADDR pin.
- (2) Master can leave SDA high to terminate a single-byte read operation.
- (3) Master can leave SDA high to terminate a two-byte read operation.

Figure 30. Timing Diagram for Reading From ADS111x



(1) The values of A0 and A1 are determined by the ADDR pin.

Figure 31. Timing Diagram for Writing to ADS111x



(1) The values of A0 and A1 are determined by the ADDR pin.

Figure 32. Timing Diagram for SMBus Alert Response

9.5.4 Data Format

The ADS111x provide 16 bits of data in binary two's complement format. A positive full-scale (+FS) input produces an output code of 7FFFh and a negative full-scale (–FS) input produces an output code of 8000h. The output clips at these codes for signals that exceed full-scale. Table 5 summarizes the ideal output codes for different input signals. Figure 33 shows code transitions versus input voltage.

Table 5. Input Signal Versus Ideal Output Code

INPUT SIGNAL $V_{IN} = (V_{AINP} - V_{AINN})$	IDEAL OUTPUT CODE ⁽¹⁾⁽¹⁾
$\geq +FS (2^{15} - 1)/2^{15}$	7FFFh
$+FS/2^{15}$	0001h
0	0000h
$-FS/2^{15}$	FFFFh
$\leq -FS$	8000h

(1) Excludes the effects of noise, INL, offset, and gain errors.

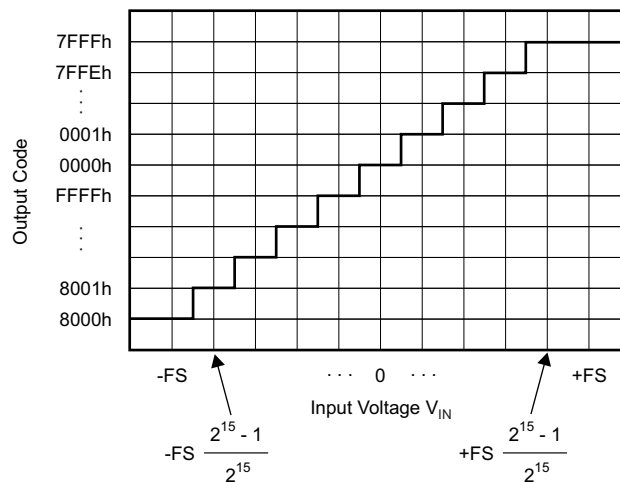


Figure 33. Code Transition Diagram

NOTE

Single-ended signal measurements, where $V_{AINN} = 0$ V and $V_{AINP} = 0$ V to +FS, only use the positive code range from 0000h to 7FFFh. However, because of device offset, the ADS111x can still output negative codes in case V_{AINP} is close to 0 V.

9.6 Register Map

The ADS111x have four registers that are accessible through the I²C interface using the [Address Pointer register](#). The [Conversion register](#) contains the result of the last conversion. The [Config register](#) is used to change the ADS111x operating modes and query the status of the device. The other two registers, Lo_thresh and Hi_thresh, set the threshold values used for the comparator function, and are not available in the ADS1113.

9.6.1 Address Pointer Register (address = N/A) [reset = N/A]

All four registers are accessed by writing to the Address Pointer register; see [Figure 30](#).

Figure 34. Address Pointer Register

7	6	5	4	3	2	1	0
0	0	0	0	0	0	P[1:0]	
W-0h	W-0h	W-0h	W-0h	W-0h	W-0h	W-0h	

LEGEND: R/W = Read/Write; R = Read only; W = Write only; -n = value after reset

Table 6. Address Pointer Register Field Descriptions

Bit	Field	Type	Reset	Description
7:2	Reserved	W	0h	Always write 0h
1:0	P[1:0]	W	0h	Register address pointer 00 : Conversion register 01 : Config register 10 : Lo_thresh register 11 : Hi_thresh register

9.6.2 Conversion Register (P[1:0] = 0h) [reset = 0000h]

The 16-bit Conversion register contains the result of the last conversion in binary two's complement format. Following power-up, the Conversion register is cleared to 0, and remains 0 until the first conversion is completed.

Figure 35. Conversion Register

15	14	13	12	11	10	9	8
D15	D14	D13	D12	D11	D10	D9	D8
R-0h	R-0h	R-0h	R-0h	R-0h	R-0h	R-0h	R-0h
7	6	5	4	3	2	1	0
D7	D6	D5	D4	D3	D2	D1	D0
R-0h	R-0h	R-0h	R-0h	R-0h	R-0h	R-0h	R-0h

LEGEND: R/W = Read/Write; R = Read only; -n = value after reset

Table 7. Conversion Register Field Descriptions

Bit	Field	Type	Reset	Description
15:0	D[15:0]	R	0000h	16-bit conversion result

9.6.3 Config Register (P[1:0] = 1h) [reset = 8583h]

The 16-bit Config register is used to control the operating mode, input selection, data rate, full-scale range, and comparator modes.

Figure 36. Config Register

15	14	13	12	11	10	9	8
OS	MUX[2:0]			PGA[2:0]			MODE
R/W-1h		R/W-0h			R/W-2h		R/W-1h
7	6	5	4	3	2	1	0
DR[2:0]			COMP_MODE	COMP_POL	COMP_LAT	COMP_QUE[1:0]	
R/W-4h			R/W-0h	R/W-0h	R/W-0h	R/W-3h	

LEGEND: R/W = Read/Write; R = Read only; -n = value after reset

Table 8. Config Register Field Descriptions

Bit	Field	Type	Reset	Description
15	OS	R/W	1h	<p>Operational status or single-shot conversion start This bit determines the operational status of the device. OS can only be written when in power-down state and has no effect when a conversion is ongoing.</p> <p>When writing: 0 : No effect 1 : Start a single conversion (when in power-down state)</p> <p>When reading: 0 : Device is currently performing a conversion 1 : Device is not currently performing a conversion</p>
14:12	MUX[2:0]	R/W	0h	<p>Input multiplexer configuration (ADS1115 only) These bits configure the input multiplexer. These bits serve no function on the ADS1113 and ADS1114.</p> <p>000 : AIN_P = AIN0 and AIN_N = AIN1 (default) 001 : AIN_P = AIN0 and AIN_N = AIN3 010 : AIN_P = AIN1 and AIN_N = AIN3 011 : AIN_P = AIN2 and AIN_N = AIN3 100 : AIN_P = AIN0 and AIN_N = GND 101 : AIN_P = AIN1 and AIN_N = GND 110 : AIN_P = AIN2 and AIN_N = GND 111 : AIN_P = AIN3 and AIN_N = GND</p>
11:9	PGA[2:0]	R/W	2h	<p>Programmable gain amplifier configuration These bits set the FSR of the programmable gain amplifier. These bits serve no function on the ADS1113.</p> <p>000 : FSR = ±6.144 V⁽¹⁾ 001 : FSR = ±4.096 V⁽¹⁾ 010 : FSR = ±2.048 V (default) 011 : FSR = ±1.024 V 100 : FSR = ±0.512 V 101 : FSR = ±0.256 V 110 : FSR = ±0.256 V 111 : FSR = ±0.256 V</p>
8	MODE	R/W	1h	<p>Device operating mode This bit controls the operating mode.</p> <p>0 : Continuous-conversion mode 1 : Single-shot mode or power-down state (default)</p>
7:5	DR[2:0]	R/W	4h	<p>Data rate These bits control the data rate setting.</p> <p>000 : 8 SPS 001 : 16 SPS 010 : 32 SPS 011 : 64 SPS 100 : 128 SPS (default) 101 : 250 SPS 110 : 475 SPS 111 : 860 SPS</p>

(1) This parameter expresses the full-scale range of the ADC scaling. Do not apply more than VDD + 0.3 V to the analog inputs of the device.

Table 8. Config Register Field Descriptions (continued)

Bit	Field	Type	Reset	Description
4	COMP_MODE	R/W	0h	Comparator mode (ADS1114 and ADS1115 only) This bit configures the comparator operating mode. This bit serves no function on the ADS1113. 0 : Traditional comparator (default) 1 : Window comparator
3	COMP_POL	R/W	0h	Comparator polarity (ADS1114 and ADS1115 only) This bit controls the polarity of the ALERT/RDY pin. This bit serves no function on the ADS1113. 0 : Active low (default) 1 : Active high
2	COMP_LAT	R/W	0h	Latching comparator (ADS1114 and ADS1115 only) This bit controls whether the ALERT/RDY pin latches after being asserted or clears after conversions are within the margin of the upper and lower threshold values. This bit serves no function on the ADS1113. 0 : Nonlatching comparator . The ALERT/RDY pin does not latch when asserted (default). 1 : Latching comparator. The asserted ALERT/RDY pin remains latched until conversion data are read by the master or an appropriate SMBus alert response is sent by the master. The device responds with its address, and it is the lowest address currently asserting the ALERT/RDY bus line.
1:0	COMP_QUEUE[1:0]	R/W	3h	Comparator queue and disable (ADS1114 and ADS1115 only) These bits perform two functions. When set to 11, the comparator is disabled and the ALERT/RDY pin is set to a high-impedance state. When set to any other value, the ALERT/RDY pin and the comparator function are enabled, and the set value determines the number of successive conversions exceeding the upper or lower threshold required before asserting the ALERT/RDY pin. These bits serve no function on the ADS1113. 00 : Assert after one conversion 01 : Assert after two conversions 10 : Assert after four conversions 11 : Disable comparator and set ALERT/RDY pin to high-impedance (default)

9.6.4 Lo_thresh (P[1:0] = 2h) [reset = 8000h] and Hi_thresh (P[1:0] = 3h) [reset = 7FFFh] Registers

The upper and lower threshold values used by the comparator are stored in two 16-bit registers in two's complement format. The comparator is implemented as a digital comparator; therefore, the values in these registers must be updated whenever the PGA settings are changed.

The conversion-ready function of the ALERT/RDY pin is enabled by setting the Hi_thresh register MSB to 1 and the Lo_thresh register MSB to 0. To use the comparator function of the ALERT/RDY pin, the Hi_thresh register value must always be greater than the Lo_thresh register value. The threshold register formats are shown in Figure 37. When set to RDY mode, the ALERT/RDY pin outputs the OS bit when in single-shot mode, and provides a continuous-conversion ready pulse when in continuous-conversion mode.

Figure 37. Lo_thresh Register

15	14	13	12	11	10	9	8
Lo_thresh15	Lo_thresh14	Lo_thresh13	Lo_thresh12	Lo_thresh11	Lo_thresh10	Lo_thresh9	Lo_thresh8
R/W-1h	R/W-0h	R/W-0h	R/W-0h	R/W-0h	R/W-0h	R/W-0h	R/W-0h
7	6	5	4	3	2	1	0
Lo_thresh7	Lo_thresh6	Lo_thresh5	Lo_thresh4	Lo_thresh3	Lo_thresh2	Lo_thresh1	Lo_thresh0
R/W-0h	R/W-0h	R/W-0h	R/W-0h	R/W-0h	R/W-0h	R/W-0h	R/W-0h

LEGEND: R/W = Read/Write; R = Read only; -n = value after reset

Figure 38. Hi_thresh Register

15	14	13	12	11	10	9	8
Hi_thresh15	Hi_thresh14	Hi_thresh13	Hi_thresh12	Hi_thresh11	Hi_thresh10	Hi_thresh9	Hi_thresh8
R/W-0h	R/W-1h	R/W-1h	R/W-1h	R/W-1h	R/W-1h	R/W-1h	R/W-1h
7	6	5	4	3	2	1	0
Hi_thresh7	Hi_thresh6	Hi_thresh5	Hi_thresh4	Hi_thresh3	Hi_thresh2	Hi_thresh1	Hi_thresh0
R/W-1h	R/W-1h	R/W-1h	R/W-1h	R/W-1h	R/W-1h	R/W-1h	R/W-1h

LEGEND: R/W = Read/Write; R = Read only; -n = value after reset

Table 9. Lo_thresh and Hi_thresh Register Field Descriptions

Bit	Field	Type	Reset	Description
15:0	Lo_thresh[15:0]	R/W	8000h	Low threshold value
15:0	Hi_thresh[15:0]	R/W	7FFFh	High threshold value

10 Application and Implementation

NOTE

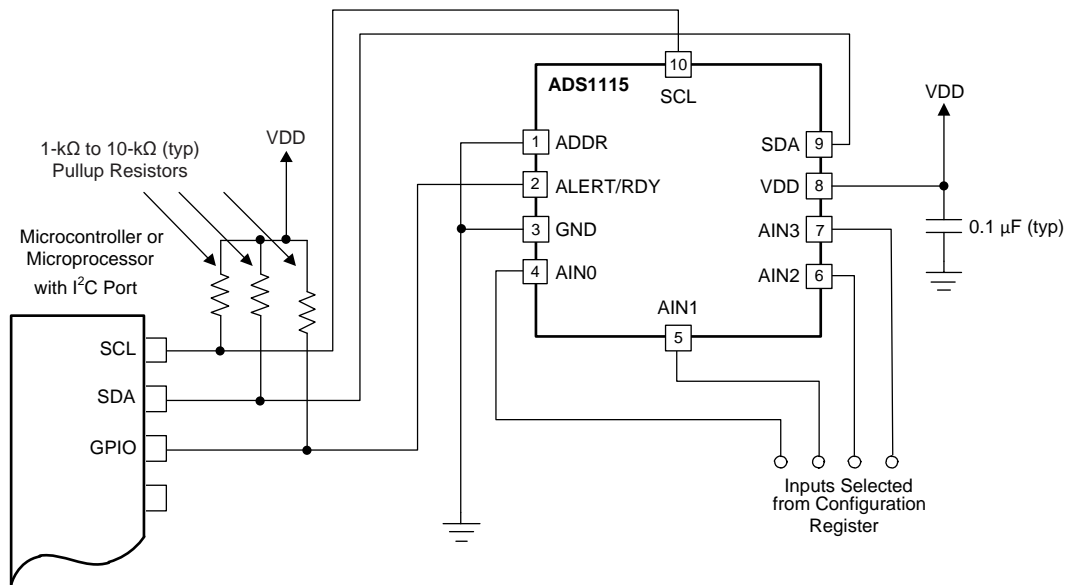
Information in the following applications sections is not part of the TI component specification, and TI does not warrant its accuracy or completeness. TI's customers are responsible for determining suitability of components for their purposes. Customers should validate and test their design implementation to confirm system functionality.

10.1 Application Information

The following sections give example circuits and suggestions for using the ADS111x in various situations.

10.1.1 Basic Connections

The principle I²C connections for the ADS1115 are shown in Figure 39.



Copyright © 2016, Texas Instruments Incorporated

Figure 39. Typical Connections of the ADS1115

The fully-differential voltage input of the ADS111x is ideal for connection to differential sources with moderately low source impedance, such as thermocouples and thermistors. Although the ADS111x can read bipolar differential signals, these devices cannot accept negative voltages on either input.

The ADS111x draw transient currents during conversion. A 0.1-μF power-supply bypass capacitor supplies the momentary bursts of extra current required from the supply.

The ADS111x interface directly to standard mode, fast mode, and high-speed mode I²C controllers. Any microcontroller I²C peripheral, including master-only and single-master I²C peripherals, operates with the ADS111x. The ADS111x does not perform clock-stretching (that is, the device never pulls the clock line low), so it is not necessary to provide for this function unless other clock-stretching devices are on the same I²C bus.

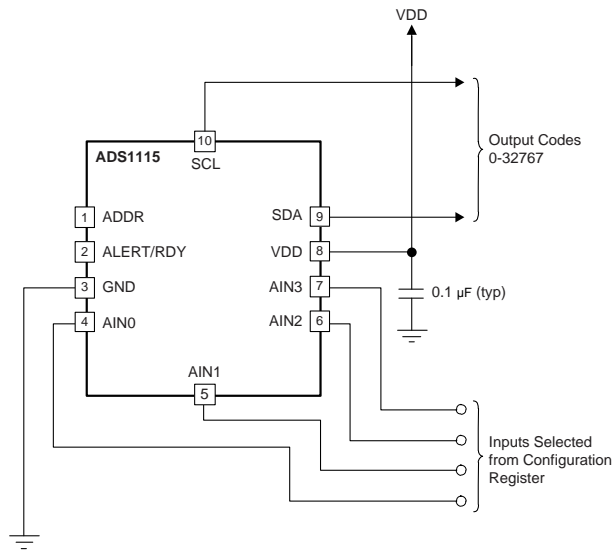
Pullup resistors are required on both the SDA and SCL lines because I²C bus drivers are open drain. The size of these resistors depends on the bus operating speed and capacitance of the bus lines. Higher-value resistors consume less power, but increase the transition times on the bus, thus limiting the bus speed. Lower-value resistors allow higher speed, but at the expense of higher power consumption. Long bus lines have higher capacitance and require smaller pullup resistors to compensate. Do not use resistors that are too small because the bus drivers may not be able to pull the bus lines low.

Application Information (continued)

10.1.2 Single-Ended Inputs

The ADS1113 and ADS1114 can measure one, and the ADS1115 up to four, single-ended signals. The ADS1113 and ADS1114 can measure single-ended signals by connecting AIN1 to GND externally. The ADS1115 measures single-ended signals by appropriate configuration of the MUX[2:0] bits in the [Config register](#). [Figure 40](#) shows a single-ended connection scheme for ADS1115. The single-ended signal ranges from 0 V up to positive supply or +FS, whichever is lower. Negative voltages cannot be applied to these devices because the ADS111x can only accept positive voltages with respect to ground. The ADS111x do not lose linearity within the input range.

The ADS111x offer a differential input voltage range of \pm FSR. Single-ended configurations use only one-half of the full-scale input voltage range. Differential configurations maximize the dynamic range of the ADC, and provide better common-mode noise rejection than single-ended configurations.



Copyright © 2016, Texas Instruments Incorporated

NOTE: Digital pin connections omitted for clarity.

Figure 40. Measuring Single-Ended Inputs

The ADS1115 also allows AIN3 to serve as a common point for measurements by appropriate setting of the MUX[2:0] bits. AIN0, AIN1, and AIN2 can all be measured with respect to AIN3. In this configuration, the ADS1115 operates with inputs, where AIN3 serves as the common point. This ability improves the usable range over the single-ended configuration because negative differential voltages are allowed when $GND < V_{(AIN3)} < VDD$; however, common-mode noise attenuation is not offered.

10.1.3 Input Protection

The ADS111x are fabricated in a small-geometry, low-voltage process. The analog inputs feature protection diodes to the supply rails. However, the current-handling ability of these diodes is limited, and the ADS111x can be permanently damaged by analog input voltages that exceed approximately 300 mV beyond the rails for extended periods. One way to protect against overvoltage is to place current-limiting resistors on the input lines. The ADS111x analog inputs can withstand continuous currents as large as 10 mA.

10.1.4 Unused Inputs and Outputs

Either float unused analog inputs, or tie the unused analog inputs to midsupply or VDD. Connecting unused analog inputs to GND is possible, but may yield higher leakage currents than the previous options.

Either float NC (not-connected) pins, or tie the NC pins to GND. If the ALERT/RDY output pin is not used, leave the pin unconnected or tie the pin to VDD using a weak pullup resistor.

Application Information (continued)

10.1.5 Analog Input Filtering

Analog input filtering serves two purposes:

1. Limits the effect of aliasing during the sampling process
2. Reduces external noise from being a part of the measurement

Aliasing occurs when frequency components are present in the input signal that are higher than half the sampling frequency of the ADC (also known as the *Nyquist frequency*). These frequency components fold back and show up in the actual frequency band of interest below half the sampling frequency. The filter response of the digital filter repeats at multiples of the sampling frequency, also known as the modulator frequency (f_{MOD}), as shown in Figure 41. Signals or noise up to a frequency where the filter response repeats are attenuated to a certain amount by the digital filter depending on the filter architecture. Any frequency components present in the input signal around the modulator frequency, or multiples thereof, are not attenuated and alias back into the band of interest, unless attenuated by an external analog filter.

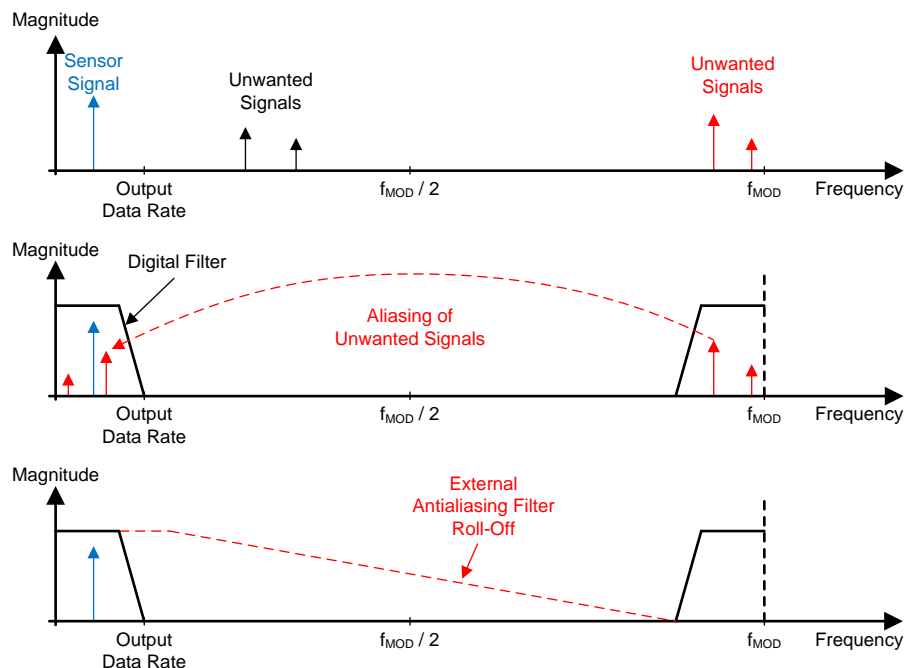


Figure 41. Effect of Aliasing

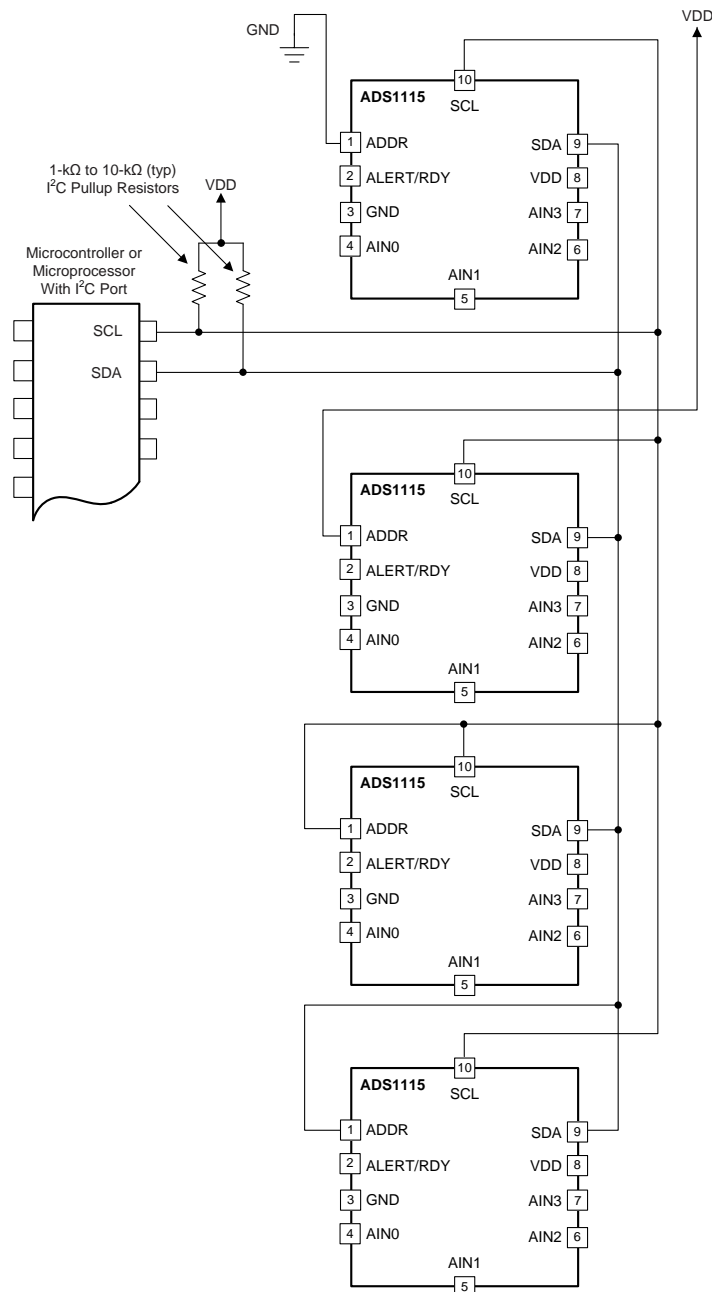
Many sensor signals are inherently band-limited; for example, the output of a thermocouple has a limited rate of change. In this case, the sensor signal does not alias back into the pass-band when using a $\Delta\Sigma$ ADC. However, any noise pick-up along the sensor wiring or the application circuitry can potentially alias into the pass-band. Power line-cycle frequency and harmonics are one common noise source. External noise can also be generated from electromagnetic interference (EMI) or radio frequency interference (RFI) sources, such as nearby motors and cellular phones. Another noise source typically exists on the printed-circuit-board (PCB) itself in the form of clocks and other digital signals. Analog input filtering helps remove unwanted signals from affecting the measurement result.

A first-order resistor-capacitor (RC) filter is (in most cases) sufficient to either totally eliminate aliasing, or to reduce the effect of aliasing to a level within the noise floor of the sensor. Ideally, any signal beyond $f_{MOD} / 2$ is attenuated to a level below the noise floor of the ADC. The digital filter of the ADS111x attenuate signals to a certain degree, as shown in Figure 21. In addition, noise components are usually smaller in magnitude than the actual sensor signal. Therefore, use a first-order RC filter with a cutoff frequency set at the output data rate or 10x higher as a generally good starting point for a system design.

Application Information (continued)

10.1.6 Connecting Multiple Devices

It is possible to connect up to four ADS111x devices to a single I²C bus using different address pin configurations for each device. Use the address pin to set the ADS111x to one of four different I²C addresses. Use the GND, VDD and SCL addresses first. If SDA is used as the device address, hold the SDA line low for at least 100 ns after the SCL line goes low to make sure the device decodes the address correctly during I²C communication. An example showing four ADS111x devices on the same I²C bus is shown in Figure 42. One set of pullup resistors is required per bus. The pullup resistor values may need to be lowered to compensate for the additional bus capacitance presented by multiple devices and increased line length.



Copyright © 2016, Texas Instruments Incorporated

NOTE: ADS111x power and input connections omitted for clarity. The ADDR pin selects the I²C address.

Figure 42. Connecting Multiple ADS111x Devices

Application Information (continued)

10.1.7 Quickstart Guide

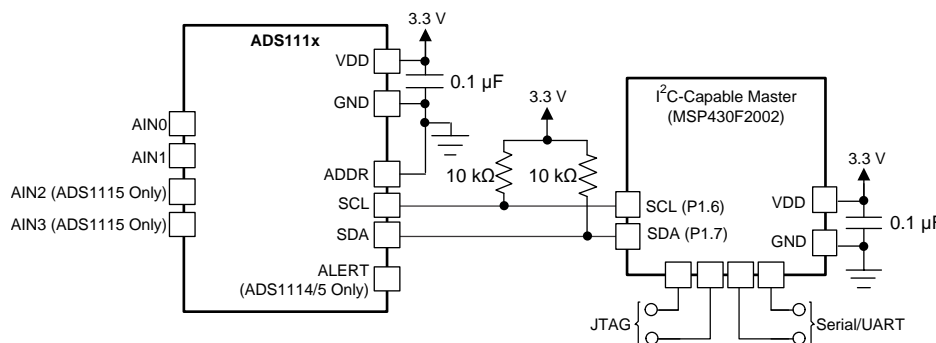
This section provides a brief example of ADS111x communications. See subsequent sections of this data sheet for more detailed explanations. Hardware for this design includes: one ADS111x configured with an I²C address of 1001000; a microcontroller with an I²C interface; discrete components such as resistors, capacitors, and serial connectors; and a 2 V to 5 V power supply. Figure 43 shows the basic hardware configuration.

The ADS111x communicate with the master (microcontroller) through an I²C interface. The master provides a clock signal on the SCL pin and data are transferred using the SDA pin. The ADS111x never drive the SCL pin. For information on programming and debugging the microcontroller being used, see the device-specific product data sheet.

The first byte sent by the master is the ADS111x address, followed by the R/W bit that instructs the ADS111x to listen for a subsequent byte. The second byte is the [Address Pointer register](#) byte. The third and fourth bytes sent from the master are written to the register indicated in register address pointer bits P[1:0]. See [Figure 30](#) and [Figure 31](#) for read and write operation timing diagrams, respectively. All read and write transactions with the ADS111x must be preceded by a START condition, and followed by a STOP condition.

For example, to write to the configuration register to set the ADS111x to continuous-conversion mode and then read the conversion result, send the following bytes in this order:

1. **Write to Config register:**
 - First byte: 0b10010000 (first 7-bit I²C address followed by a low R/W bit)
 - Second byte: 0b00000001 (points to Config register)
 - Third byte: 0b10000100 (MSB of the Config register to be written)
 - Fourth byte: 0b10000011 (LSB of the Config register to be written)
2. **Write to Address Pointer register:**
 - First byte: 0b10010000 (first 7-bit I²C address followed by a low R/W bit)
 - Second byte: 0b00000000 (points to Conversion register)
3. **Read Conversion register:**
 - First byte: 0b10010001 (first 7-bit I²C address followed by a high R/W bit)
 - Second byte: the ADS111x response with the MSB of the Conversion register
 - Third byte: the ADS111x response with the LSB of the Conversion register



Copyright © 2016, Texas Instruments Incorporated

Figure 43. Basic Hardware Configuration

10.2 Typical Application

Shunt-based, current-measurement solutions are widely used to monitor load currents. Low-side, current-shunt measurements are independent of the bus voltage because the shunt common-mode voltage is near ground. [Figure 44](#) shows an example circuit for a bidirectional, low-side, current-shunt measurement system. The load current is determined by measuring the voltage across the shunt resistor that is amplified and level-shifted by a low-drift operational amplifier, [OPA333](#). The OPA333 output voltage is digitized with [ADS1115](#) and sent to the microcontroller using the I²C interface. This circuit is capable of measuring bidirectional currents flowing through the shunt resistor with great accuracy and precision.

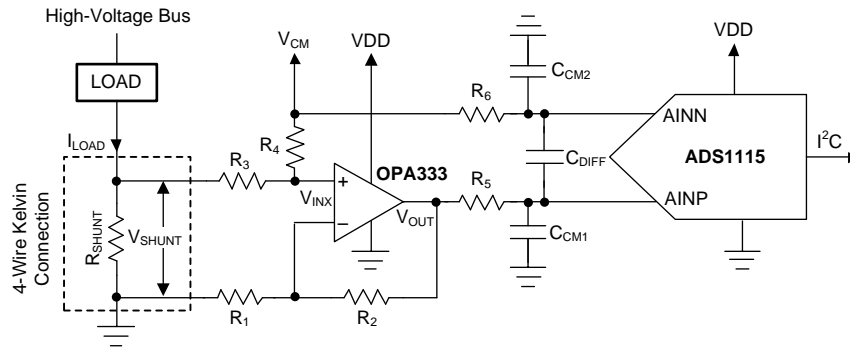


Figure 44. Low-Side Current Shunt Monitoring

10.2.1 Design Requirements

[Table 10](#) shows the design parameters for this application.

Table 10. Design Parameters

DESIGN PARAMETER	VALUE
Supply voltage (VDD)	5 V
Voltage across Shunt Resistor (V_{SHUNT})	± 50 mV
Output Data Rate (DR)	≥ 200 readings per second
Typical measurement accuracy at $T_A = 25^\circ\text{C}$ ⁽¹⁾	$\pm 0.2\%$

(1) Does not account for inaccuracy of shunt resistor and the precision resistors used in the application.

10.2.2 Detailed Design Procedure

The first stage of the application circuit consists of an OPA333 in a noninverting summing amplifier configuration and serves two purposes:

- To level-shift the ground-referenced signal to allow bidirectional current measurements while running off a unipolar supply. The voltage across the shunt resistor, V_{SHUNT} , is level-shifted by a common-mode voltage, V_{CM} , as shown in [Figure 44](#). The level-shifted voltage, V_{INX} , at the noninverting input is given by [Equation 5](#).

$$V_{INX} = (V_{CM} \cdot R_3 + V_{SHUNT} \cdot R_4) / (R_3 + R_4) \quad (5)$$

- To amplify the level-shifted voltage (V_{INX}). The OPA333 is configured in a noninverting gain configuration with the output voltage, V_{OUT} , given by [Equation 6](#).

$$V_{OUT} = V_{INX} \cdot (1 + R_2 / R_1) \quad (6)$$

Using [Equation 5](#) and [Equation 6](#), V_{OUT} is given as a function of V_{SHUNT} and V_{CM} by [Equation 7](#).

$$V_{OUT} = (V_{CM} \cdot R_3 + V_{SHUNT} \cdot R_4) / (R_3 + R_4) \cdot (1 + R_2 / R_1) \quad (7)$$

Using [Equation 7](#) the ADC differential input voltage, before the first-order RC filter, is given by [Equation 8](#).

$$V_{OUT} - V_{CM} = V_{SHUNT} \cdot (1 + R_2 / R_1) / (1 + R_4 / R_3) + V_{CM} \cdot (R_2 / R_1 - R_3 / R_4) / (1 + R_3 / R_4) \quad (8)$$

If $R_1 = R_3$ and $R_2 = R_4$, [Equation 8](#) is simplified to [Equation 9](#).

$$V_{OUT} - V_{CM} = V_{SHUNT} \cdot (1 + R_2 / R_1) / (1 + R_4 / R_3) \quad (9)$$

10.2.2.1 Shunt Resistor Considerations

A shunt resistor (R_{SHUNT}) is an accurate resistance inserted in series with the load as shown in [Figure 44](#). If the absolute voltage drop across the shunt, $|V_{SHUNT}|$, is a larger percentage of the bus voltage, the voltage drop may reduce the overall efficiency and system performance. If $|V_{SHUNT}|$ is too low, measuring the small voltage drop requires careful design attention and proper selection of the ADC, operation amplifier, and precision resistors. Make sure that the absolute voltage at the shunt terminals does not result in violation of the input common-mode voltage range requirements of the operational amplifier. The power dissipation on the shunt resistor increases the temperature because of the current flowing through it. To minimize the measurement errors due to variation in temperature, select a low-drift shunt resistor. To minimize the measurement gain error, select a shunt resistor with low tolerance value. To remove the errors due to stray ground resistance, use a four-wire Kelvin-connected shunt resistor, as shown in [Figure 44](#).

10.2.2.2 Operational Amplifier Considerations

The operational amplifier used for this design example requires the following features:

- Unipolar supply operation (5 V)
- Low input offset voltage ($< 10 \mu\text{V}$) and input offset voltage drift ($< 0.5 \mu\text{V}/^\circ\text{C}$)
- Rail-to-rail input and output capability
- Low thermal and flicker noise
- High common-mode rejection ($> 100 \text{ dB}$)

OPA333 offers all these benefits and is selected for this application.

10.2.2.3 ADC Input Common-Mode Considerations

V_{CM} sets the V_{OUT} common-mode voltage by appropriate selection of precision resistors R_1 , R_2 , R_3 , and R_4 .

If $R_1 = R_3$, $R_2 = R_4$, and $V_{SHUNT} = 0 \text{ V}$, V_{OUT} is given by [Equation 10](#).

$$V_{OUT} = V_{CM} \quad (10)$$

If V_{OUT} is connected to the ADC positive input (AINP) and V_{CM} is connected to the ADC negative input (AINN), V_{CM} appears as a common-mode voltage to the ADC. This configuration allows pseudo-differential measurements and uses the maximum dynamic range of the ADC if V_{CM} is set at midsupply ($V_{DD} / 2$). A resistor divider from V_{DD} to GND followed by a buffer amplifier can be used to generate V_{CM} .

10.2.2.4 Resistor (R_1 , R_2 , R_3 , R_4) Considerations

Proper selection of resistors R_1 , R_2 , R_3 and R_4 is critical for meeting the overall accuracy requirements.

Using [Equation 8](#), the offset term, V_{OUT-OS} , and the gain term, A_{OUT} , of the differential ADC input are represented by [Equation 11](#) and [Equation 12](#) respectively. The error contributions from the first-order RC filters are ignored.

$$V_{OUT-OS} = V_{CM} \cdot (R_2 / R_1 - R_3 / R_4) / (1 + R_3 / R_4) \quad (11)$$

$$A_{OUT} = (1 + R_2 / R_1) / (1 + R_4 / R_3) \quad (12)$$

The tolerance, drift and linearity performance of these resistors is critical to meeting the overall accuracy requirements. In [Equation 11](#), if $R_1 = R_3$ and $R_2 = R_4$, $V_{OUT-OS} = 0 \text{ V}$ and therefore, the common-mode voltage, V_{CM} , only contributes to level-shift V_{SHUNT} and does not introduce any error at the differential ADC inputs. High-precision resistors provide better common-mode rejection from V_{CM} .

10.2.2.5 Noise and Input Impedance Considerations

If v_{n_res} represents the input-referred rms noise from all the resistors, v_{n_op} represents the input-referred rms noise of OPA333, and v_{n_ADC} represents the input-referred rms noise of ADS1115, the total input-referred noise of the entire system, v_N , can be approximated by [Equation 13](#).

$$v_N^2 = v_{n_res}^2 + v_{n_op}^2 + v_{n_ADC} / (1 + R_2 / R_1)^2 \quad (13)$$

It is important to note that the ADC noise contribution, v_{n_ADC} , is attenuated by the non-inverting gain stage.

If the gain of the noninverting gain stage is high (≥ 5), a good approximation for $v_{n_res}^2$ is given by Equation 14. The noise contribution from resistors R_2 , R_4 , R_5 , and R_6 when referred to the input is smaller in comparison to R_1 and R_3 and can be neglected for approximation purposes.

$$v_{n_res}^2 = 4 \cdot k \cdot T \cdot (R_1 + R_3) \cdot \Delta f$$

where

- where k = Boltzmann constant
- T = temperature (in kelvins)
- Δf = noise bandwidth

(14)

An approximation for the input impedance, R_{IN} , of the application circuit is given by Equation 15. R_{IN} can be modeled as a resistor in parallel with the shunt resistor, and can contribute to additional gain error.

$$R_{IN} = R_3 + R_4 \quad (15)$$

From Equation 14 and Equation 15, a trade-off exists between v_N and R_{IN} . If R_3 increases, v_{n_res} increases, and therefore, the total input-referred rms system noise, v_N , increases. If R_3 decreases, the input impedance, R_{IN} , drops, and causes additional gain error.

10.2.2.6 First-order RC Filter Considerations

Although the device digital filter attenuates high-frequency noise, use a first order low-pass RC filter at the ADC inputs to further reject out-of-bandwidth noise and avoid aliasing. A differential low-pass RC filter formed by R_5 , R_6 , and the differential capacitor C_{DIFF} sets the -3 -dB cutoff frequency, f_C , given by Equation 16. These filter resistors produce a voltage drop because of the input currents flowing into and out of the ADC. This voltage drop could contribute to an additional gain error. Limit the filter resistor values to below 1 k Ω .

$$f_C = 1 / [2\pi \cdot (R_5 + R_6) \cdot C_{DIFF}] \quad (16)$$

Two common-mode filter capacitors (C_{CM1} and C_{CM2}) are also added to offer attenuation of high-frequency, common-mode noise components. Select a differential capacitor, C_{DIFF} , that is at least an order of magnitude (10x) larger than these common-mode capacitors because mismatches in these common-mode capacitors can convert common-mode noise into differential noise.

10.2.2.7 Circuit Implementation

Table 11 shows the chosen values for this design.

Table 11. Parameters

PARAMETER	VALUE
V_{CM}	2.5 V
FSR of ADC	± 0.256 V
Output Data Rate	250 SPS
R_1, R_3	1 k Ω ⁽¹⁾
R_2, R_4	5 k Ω ⁽¹⁾
R_5, R_6	100 Ω ⁽¹⁾
C_{DIFF}	0.22 μ F
C_{CM1}, C_{CM2}	0.022 μ F

(1) 1% precision resistors used

Using Equation 7, if V_{SHUNT} ranges from -50 mV to $+50$ mV, the application circuit produces a differential voltage ranging from -0.250 V to $+0.250$ V across the ADC inputs. The ADC is therefore configured at a FSR of ± 0.256 V to maximize the dynamic range of the ADC.

The -3 dB cutoff frequencies of the differential low-pass filter and the common-mode low-pass filters are set at 3.6 kHz and 0.36 kHz, respectively.

R_{SHUNT} typically ranges from 0.01 m Ω to 100 m Ω . Therefore, if $R_1 = R_3 = 1$ k Ω , a good trade-off exists between the circuit input impedance and input referred resistor noise as explained in the Noise and Input Impedance Considerations section.

A simple resistor divider followed by a buffer amplifier is used to generate V_{CM} of 2.5 V from a 5-V supply.

10.2.2.8 Results Summary

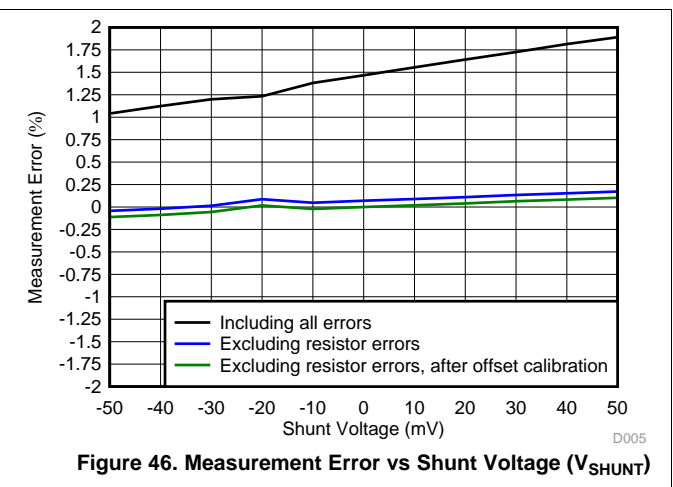
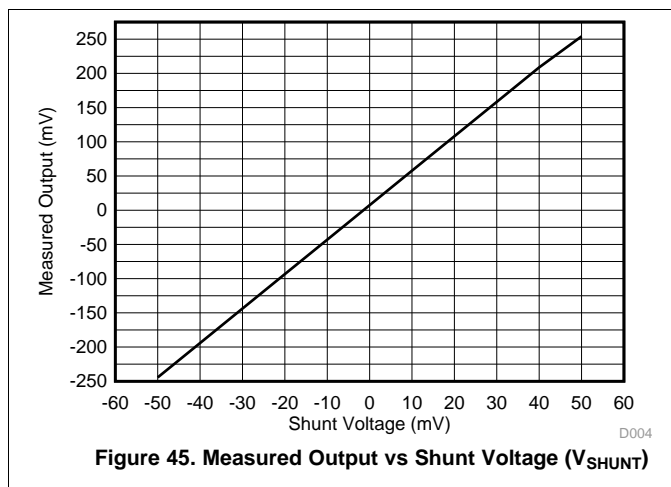
A precision voltage source is used to sweep V_{SHUNT} from -50 mV to $+50$ mV. The application circuit produces a differential voltage of -250 mV to $+250$ mV across the ADC inputs. Figure 45 and Figure 46 show the measurement results. The measurements are taken at $T_A = 25^\circ\text{C}$. Although 1% tolerance resistors are used, the exact value of these resistors are measured with a Fluke 4.5 digit multimeter to exclude the errors due to inaccuracy of these resistors. In Figure 45, the x-axis represents V_{SHUNT} and the black line represents the measured digital output voltage in mV. In Figure 46, the x-axis represents V_{SHUNT} , the black line represents the total measurement error in %, the blue line represents the total measurement error in % after excluding the errors from precision resistors and the green line represents the total measurement error in % after excluding the errors from precision resistors and performing a system offset calibration with $V_{SHUNT} = 0$ V. Table 12 shows a results summary.

Table 12. Results Summary⁽¹⁾

PARAMETER	VALUE
Total error, including errors from 1% precision resistors	1.89%
Total error, excluding errors from 1% precision resistors	0.17%
Total error, after offset calibration, excluding errors from 1% precision resistors	0.11%

(1) $T_A = 25^\circ\text{C}$, not accounting for inaccuracy of shunt resistor.

10.2.3 Application Curves



11 Power Supply Recommendations

The device requires a single unipolar supply, VDD, to power both the analog and digital circuitry of the device.

11.1 Power-Supply Sequencing

Wait approximately 50 μs after VDD is stabilized before communicating with the device to allow the power-up reset process to complete.

11.2 Power-Supply Decoupling

Good power-supply decoupling is important to achieve optimum performance. VDD must be decoupled with at least a 0.1- μF capacitor, as shown in Figure 47. The 0.1- μF bypass capacitor supplies the momentary bursts of extra current required from the supply when the device is converting. Place the bypass capacitor as close to the power-supply pin of the device as possible using low-impedance connections. Use multilayer ceramic chip capacitors (MLCCs) that offer low equivalent series resistance (ESR) and inductance (ESL) characteristics for power-supply decoupling purposes. For very sensitive systems, or for systems in harsh noise environments, avoid the use of vias for connecting the capacitors to the device pins for better noise immunity. The use of multiple vias in parallel lowers the overall inductance, and is beneficial for connections to ground planes.

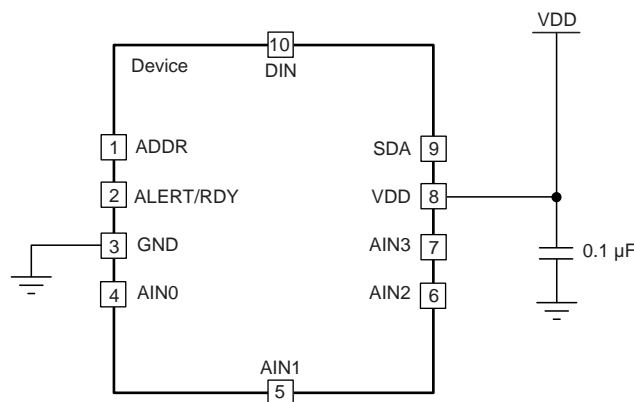


Figure 47. ADS1115 Power-Supply Decoupling

12 Layout

12.1 Layout Guidelines

Employ best design practices when laying out a printed-circuit board (PCB) for both analog and digital components. For optimal performance, separate the analog components [such as ADCs, amplifiers, references, digital-to-analog converters (DACs), and analog MUXs] from digital components [such as microcontrollers, complex programmable logic devices (CPLDs), field-programmable gate arrays (FPGAs), radio frequency (RF) transceivers, universal serial bus (USB) transceivers, and switching regulators]. An example of good component placement is shown in Figure 48. Although Figure 48 provides a good example of component placement, the best placement for each application is unique to the geometries, components, and PCB fabrication capabilities employed. That is, there is no single layout that is perfect for every design and careful consideration must always be used when designing with any analog component.

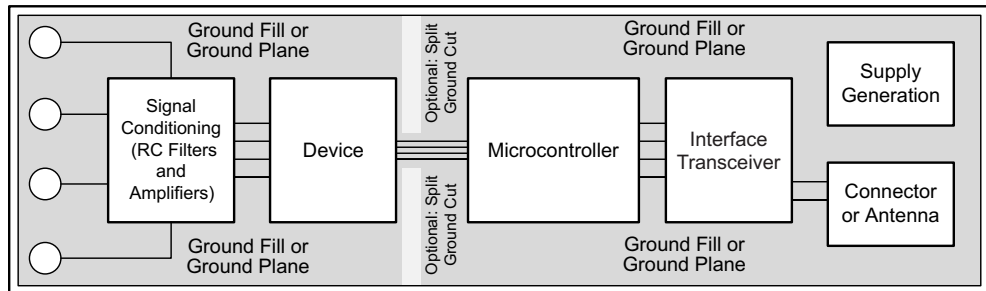


Figure 48. System Component Placement

The following outlines some basic recommendations for the layout of the ADS111x to get the best possible performance of the ADC. A good design can be ruined with a bad circuit layout.

- Separate analog and digital signals. To start, partition the board into analog and digital sections where the layout permits. Route digital lines away from analog lines. This prevents digital noise from coupling back into analog signals.
- Fill void areas on signal layers with ground fill.
- Provide good ground return paths. Signal return currents flow on the path of least impedance. If the ground plane is cut or has other traces that block the current from flowing right next to the signal trace, it has to find another path to return to the source and complete the circuit. If it is forced into a larger path, it increases the chance that the signal radiates. Sensitive signals are more susceptible to EMI interference.
- Use bypass capacitors on supplies to reduce high-frequency noise. Do not place vias between bypass capacitors and the active device. Placing the bypass capacitors on the same layer as close to the active device yields the best results.
- Consider the resistance and inductance of the routing. Often, traces for the inputs have resistances that react with the input bias current and cause an added error voltage. Reduce the loop area enclosed by the source signal and the return current in order to reduce the inductance in the path. Reduce the inductance to reduce the EMI pickup, and reduce the high frequency impedance seen by the device.
- Differential inputs must be matched for both the inputs going to the measurement source.
- Analog inputs with differential connections must have a capacitor placed differentially across the inputs. Best input combinations for differential measurements use adjacent analog input lines such as AIN0, AIN1 and AIN2, AIN3. The differential capacitors must be of high quality. The best ceramic chip capacitors are C0G (NPO), which have stable properties and low-noise characteristics.

12.2 Layout Example

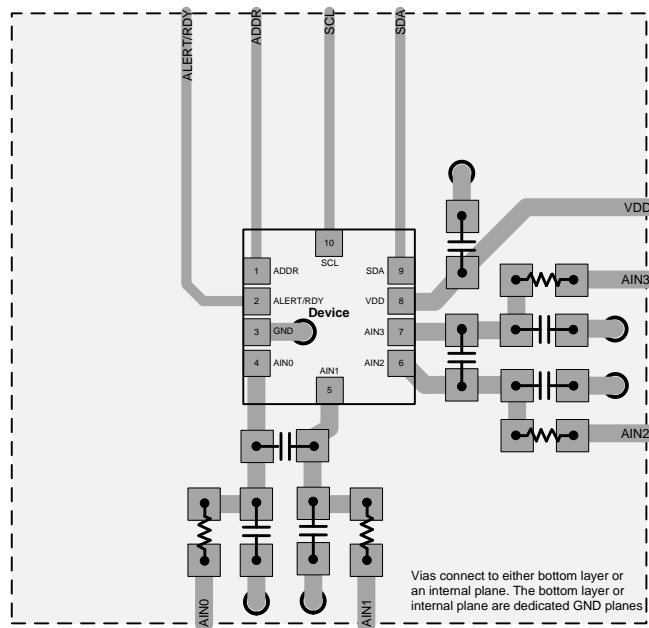


Figure 49. ADS1115 X2QFN Package

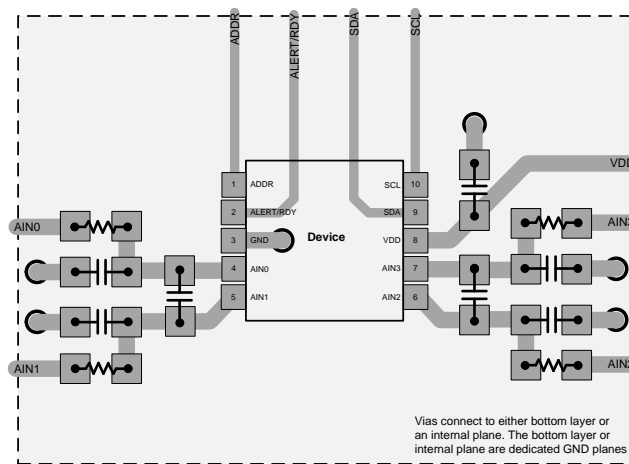


Figure 50. ADS1115 VSSOP Package

13 器件和文档支持

13.1 Documentation Support

13.1.1 相关文档

如需相关文档，请参阅：

- [OPAx333 1.8V 低功耗 CMOS 运算放大器零漂移系列 \(SBOS351\)](#)
- [MSP430F20x1、MSP430F20x2、MSP430F20x3 混合信号微控制器 \(SLAS491\)](#)
- [TIDA-00824 可穿戴式体温传感 应用 参考设计 \(TIDUAY7\)](#)

13.2 相关链接

下面的表格中列出了快速访问链接。类别包括技术文档、支持与社区资源、工具和软件，以及申请样片或购买产品的快速链接。

表 13. 相关链接

器件	产品文件夹	样片与购买	技术文档	工具和软件	支持和社区
ADS1113	请单击此处	请单击此处	请单击此处	请单击此处	请单击此处
ADS1114	请单击此处	请单击此处	请单击此处	请单击此处	请单击此处
ADS1115	请单击此处	请单击此处	请单击此处	请单击此处	请单击此处

13.3 Receiving Notification of Documentation Updates

To receive notification of documentation updates, navigate to the device product folder on ti.com. In the upper right corner, click on *Alert me* to register and receive a weekly digest of any product information that has changed. 有关更改的详细信息，请查看任何已修订文档中包含的修订历史记录。

13.4 社区资源

下列链接提供到 TI 社区资源的连接。链接的内容由各个分销商“按照原样”提供。这些内容并不构成 TI 技术规范，并且不一定反映 TI 的观点；请参阅 TI 的 [《使用条款》](#)。

TI E2E™ 在线社区 *TI 的工程师对工程师 (E2E) 社区*。此社区的创建目的在于促进工程师之间的协作。在 e2e.ti.com 中，您可以咨询问题、分享知识、拓展思路并与同行工程师一道帮助解决问题。

设计支持 *TI 参考设计支持* 可帮助您快速查找有帮助的 E2E 论坛、设计支持工具以及技术支持的联系信息。

13.5 商标

E2E is a trademark of Texas Instruments.

All other trademarks are the property of their respective owners.

13.6 静电放电警告



ESD 可能会损坏该集成电路。德州仪器 (TI) 建议通过适当的预防措施处理所有集成电路。如果不遵守正确的处理措施和安装程序，可能会损坏集成电路。

ESD 的损坏小至导致微小的性能降级，大至整个器件故障。精密的集成电路可能更容易受到损坏，这是因为非常细微的参数更改都可能会导致器件与其发布的规格不相符。

13.7 Glossary

[SLYZ022](#) — *TI Glossary*.

This glossary lists and explains terms, acronyms, and definitions.

14 机械、封装和可订购信息

以下页面包含机械、封装和可订购信息。这些信息是指定器件的最新可用数据。数据如有变更，恕不另行通知和修订此文档。如欲获取此数据表的浏览器版本，请参阅左侧的导航。

PACKAGING INFORMATION

Orderable Device	Status (1)	Package Type	Package Drawing	Pins	Package Qty	Eco Plan (2)	Lead finish/ Ball material (6)	MSL Peak Temp (3)	Op Temp (°C)	Device Marking (4/5)	Samples
ADS1113IDGSR	ACTIVE	VSSOP	DGS	10	2500	RoHS & Green	NIPDAU	Level-2-260C-1 YEAR	-40 to 125	BROI	Samples
ADS1113IDGST	ACTIVE	VSSOP	DGS	10	250	RoHS & Green	NIPDAU	Level-2-260C-1 YEAR	-40 to 125	BROI	Samples
ADS1113IRUGR	ACTIVE	X2QFN	RUG	10	3000	RoHS & Green	NIPDAU	Level-1-260C-UNLIM	-40 to 125	N6J	Samples
ADS1113IRUGT	ACTIVE	X2QFN	RUG	10	250	RoHS & Green	NIPDAU	Level-1-260C-UNLIM	-40 to 125	N6J	Samples
ADS1114IDGSR	ACTIVE	VSSOP	DGS	10	2500	RoHS & Green	NIPDAU	Level-2-260C-1 YEAR	-40 to 125	BRNI	Samples
ADS1114IDGST	ACTIVE	VSSOP	DGS	10	250	RoHS & Green	NIPDAU	Level-2-260C-1 YEAR	-40 to 125	BRNI	Samples
ADS1114IRUGR	ACTIVE	X2QFN	RUG	10	3000	RoHS & Green	NIPDAU	Level-1-260C-UNLIM	-40 to 125	N5J	Samples
ADS1114IRUGT	ACTIVE	X2QFN	RUG	10	250	RoHS & Green	NIPDAU	Level-1-260C-UNLIM	-40 to 125	N5J	Samples
ADS1115IDGSR	ACTIVE	VSSOP	DGS	10	2500	RoHS & Green	NIPDAU	Level-2-260C-1 YEAR	-40 to 125	BOGI	Samples
ADS1115IDGST	ACTIVE	VSSOP	DGS	10	250	RoHS & Green	NIPDAU	Level-2-260C-1 YEAR	-40 to 125	BOGI	Samples
ADS1115IRUGR	ACTIVE	X2QFN	RUG	10	3000	RoHS & Green	NIPDAU	Level-1-260C-UNLIM	-40 to 125	N4J	Samples
ADS1115IRUGT	ACTIVE	X2QFN	RUG	10	250	RoHS & Green	NIPDAU	Level-1-260C-UNLIM	-40 to 125	N4J	Samples

(1) The marketing status values are defined as follows:

ACTIVE: Product device recommended for new designs.

LIFEBUY: TI has announced that the device will be discontinued, and a lifetime-buy period is in effect.

NRND: Not recommended for new designs. Device is in production to support existing customers, but TI does not recommend using this part in a new design.

PREVIEW: Device has been announced but is not in production. Samples may or may not be available.

OBSOLETE: TI has discontinued the production of the device.

(2) **RoHS:** TI defines "RoHS" to mean semiconductor products that are compliant with the current EU RoHS requirements for all 10 RoHS substances, including the requirement that RoHS substance do not exceed 0.1% by weight in homogeneous materials. Where designed to be soldered at high temperatures, "RoHS" products are suitable for use in specified lead-free processes. TI may reference these types of products as "Pb-Free".

RoHS Exempt: TI defines "RoHS Exempt" to mean products that contain lead but are compliant with EU RoHS pursuant to a specific EU RoHS exemption.

Green: TI defines "Green" to mean the content of Chlorine (Cl) and Bromine (Br) based flame retardants meet JS709B low halogen requirements of <=1000ppm threshold. Antimony trioxide based flame retardants must also meet the <=1000ppm threshold requirement.

- (3) MSL, Peak Temp. - The Moisture Sensitivity Level rating according to the JEDEC industry standard classifications, and peak solder temperature.
- (4) There may be additional marking, which relates to the logo, the lot trace code information, or the environmental category on the device.
- (5) Multiple Device Markings will be inside parentheses. Only one Device Marking contained in parentheses and separated by a "-" will appear on a device. If a line is indented then it is a continuation of the previous line and the two combined represent the entire Device Marking for that device.
- (6) Lead finish/Ball material - Orderable Devices may have multiple material finish options. Finish options are separated by a vertical ruled line. Lead finish/Ball material values may wrap to two lines if the finish value exceeds the maximum column width.

Important Information and Disclaimer:The information provided on this page represents TI's knowledge and belief as of the date that it is provided. TI bases its knowledge and belief on information provided by third parties, and makes no representation or warranty as to the accuracy of such information. Efforts are underway to better integrate information from third parties. TI has taken and continues to take reasonable steps to provide representative and accurate information but may not have conducted destructive testing or chemical analysis on incoming materials and chemicals. TI and TI suppliers consider certain information to be proprietary, and thus CAS numbers and other limited information may not be available for release.

In no event shall TI's liability arising out of such information exceed the total purchase price of the TI part(s) at issue in this document sold by TI to Customer on an annual basis.

OTHER QUALIFIED VERSIONS OF ADS1113, ADS1114, ADS1115 :

- Automotive : [ADS1113-Q1](#), [ADS1114-Q1](#), [ADS1115-Q1](#)

NOTE: Qualified Version Definitions:

- Automotive - Q100 devices qualified for high-reliability automotive applications targeting zero defects

TAPE AND REEL INFORMATION

QUADRANT ASSIGNMENTS FOR PIN 1 ORIENTATION IN TAPE


*All dimensions are nominal

Device	Package Type	Package Drawing	Pins	SPQ	Reel Diameter (mm)	Reel Width W1 (mm)	A0 (mm)	B0 (mm)	K0 (mm)	P1 (mm)	W (mm)	Pin1 Quadrant
ADS1113IDGSR	VSSOP	DGS	10	2500	330.0	12.4	5.3	3.3	1.3	8.0	12.0	Q1
ADS1113IDGST	VSSOP	DGS	10	250	180.0	12.4	5.3	3.3	1.3	8.0	12.0	Q1
ADS1113IRUGR	X2QFN	RUG	10	3000	180.0	8.4	1.75	2.25	0.55	4.0	8.0	Q1
ADS1113IRUGT	X2QFN	RUG	10	250	180.0	8.4	1.75	2.25	0.55	4.0	8.0	Q1
ADS1114IDGSR	VSSOP	DGS	10	2500	330.0	12.4	5.3	3.3	1.3	8.0	12.0	Q1
ADS1114IDGST	VSSOP	DGS	10	250	180.0	12.4	5.3	3.3	1.3	8.0	12.0	Q1
ADS1114IRUGR	X2QFN	RUG	10	3000	180.0	8.4	1.75	2.25	0.55	4.0	8.0	Q1
ADS1114IRUGT	X2QFN	RUG	10	250	180.0	8.4	1.75	2.25	0.55	4.0	8.0	Q1
ADS1115IDGSR	VSSOP	DGS	10	2500	330.0	12.4	5.3	3.3	1.3	8.0	12.0	Q1
ADS1115IDGST	VSSOP	DGS	10	250	180.0	12.4	5.3	3.3	1.3	8.0	12.0	Q1
ADS1115IRUGR	X2QFN	RUG	10	3000	180.0	8.4	1.75	2.25	0.55	4.0	8.0	Q1
ADS1115IRUGT	X2QFN	RUG	10	250	180.0	8.4	1.75	2.25	0.55	4.0	8.0	Q1

TAPE AND REEL BOX DIMENSIONS



*All dimensions are nominal

Device	Package Type	Package Drawing	Pins	SPQ	Length (mm)	Width (mm)	Height (mm)
ADS1113IDGSR	VSSOP	DGS	10	2500	367.0	367.0	38.0
ADS1113IDGST	VSSOP	DGS	10	250	213.0	191.0	35.0
ADS1113IRUGR	X2QFN	RUG	10	3000	210.0	185.0	35.0
ADS1113IRUGT	X2QFN	RUG	10	250	210.0	185.0	35.0
ADS1114IDGSR	VSSOP	DGS	10	2500	367.0	367.0	38.0
ADS1114IDGST	VSSOP	DGS	10	250	213.0	191.0	35.0
ADS1114IRUGR	X2QFN	RUG	10	3000	210.0	185.0	35.0
ADS1114IRUGT	X2QFN	RUG	10	250	210.0	185.0	35.0
ADS1115IDGSR	VSSOP	DGS	10	2500	367.0	367.0	38.0
ADS1115IDGST	VSSOP	DGS	10	250	213.0	191.0	35.0
ADS1115IRUGR	X2QFN	RUG	10	3000	210.0	185.0	35.0
ADS1115IRUGT	X2QFN	RUG	10	250	210.0	185.0	35.0

DGS0010A



PACKAGE OUTLINE

VSSOP - 1.1 mm max height

SMALL OUTLINE PACKAGE



4221984/A 05/2015

NOTES:

1. All linear dimensions are in millimeters. Any dimensions in parenthesis are for reference only. Dimensioning and tolerancing per ASME Y14.5M.
2. This drawing is subject to change without notice.
3. This dimension does not include mold flash, protrusions, or gate burrs. Mold flash, protrusions, or gate burrs shall not exceed 0.15 mm per side.
4. This dimension does not include interlead flash. Interlead flash shall not exceed 0.25 mm per side.
5. Reference JEDEC registration MO-187, variation BA.

EXAMPLE BOARD LAYOUT

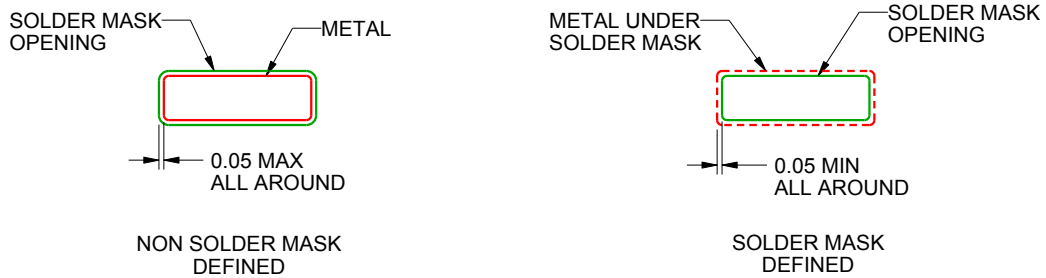
DGS0010A

VSSOP - 1.1 mm max height

SMALL OUTLINE PACKAGE



LAND PATTERN EXAMPLE
SCALE:10X



SOLDER MASK DETAILS
NOT TO SCALE

4221984/A 05/2015

NOTES: (continued)

- 6. Publication IPC-7351 may have alternate designs.
- 7. Solder mask tolerances between and around signal pads can vary based on board fabrication site.

EXAMPLE STENCIL DESIGN

DGS0010A

VSSOP - 1.1 mm max height

SMALL OUTLINE PACKAGE



SOLDER PASTE EXAMPLE
BASED ON 0.125 mm THICK STENCIL
SCALE:10X

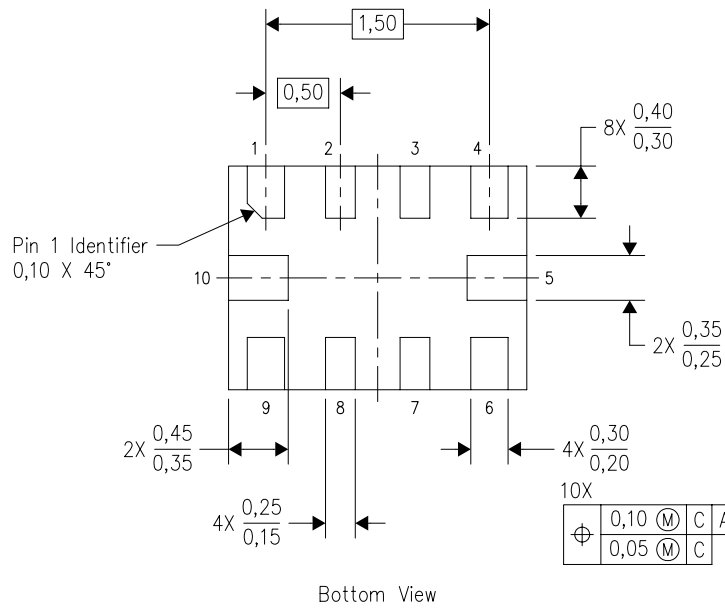
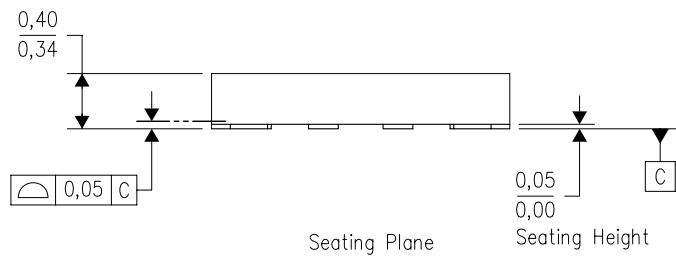
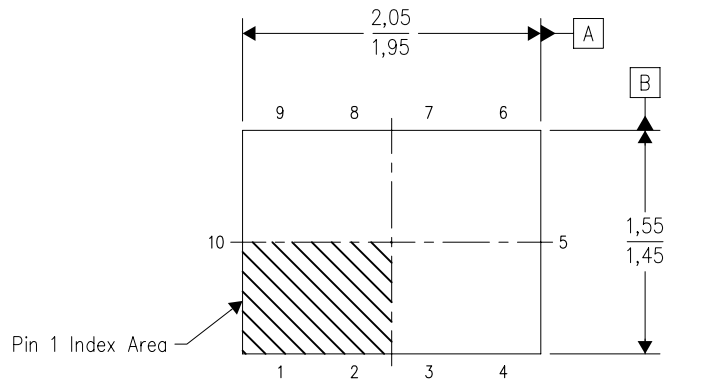
4221984/A 05/2015

NOTES: (continued)

8. Laser cutting apertures with trapezoidal walls and rounded corners may offer better paste release. IPC-7525 may have alternate design recommendations.
9. Board assembly site may have different recommendations for stencil design.

RUG (R-PQFP-N10)

PLASTIC QUAD FLATPACK



10X	0,10	(M)	C	A	B
	0,05	(M)	C		

4208528-3/B 04/2008

- NOTES:
- A. All linear dimensions are in millimeters. Dimensioning and tolerancing per ASME Y14.5M-1994.
 - B. This drawing is subject to change without notice.
 - C. QFN (Quad Flatpack No-Lead) package configuration.
 - D. This package complies to JEDEC MO-288 variation X2EFD.

重要声明和免责声明

TI“按原样”提供技术和可靠性数据（包括数据表）、设计资源（包括参考设计）、应用或其他设计建议、网络工具、安全信息和其他资源，不保证没有瑕疵且不做任何明示或暗示的担保，包括但不限于对适销性、某特定用途方面的适用性或不侵犯任何第三方知识产权的暗示担保。

这些资源可供使用 TI 产品进行设计的熟练开发人员使用。您将自行承担以下全部责任：(1) 针对您的应用选择合适的 TI 产品，(2) 设计、验证并测试您的应用，(3) 确保您的应用满足相应标准以及任何其他功能安全、信息安全、监管或其他要求。

这些资源如有变更，恕不另行通知。TI 授权您仅可将这些资源用于研发本资源所述的 TI 产品的应用。严禁对这些资源进行其他复制或展示。您无权使用任何其他 TI 知识产权或任何第三方知识产权。您应全额赔偿因在这些资源的使用中对 TI 及其代表造成的任何索赔、损害、成本、损失和债务，TI 对此概不负责。

TI 提供的产品受 [TI 的销售条款](#) 或 [ti.com](#) 上其他适用条款/TI 产品随附的其他适用条款的约束。TI 提供这些资源并不会扩展或以其他方式更改 TI 针对 TI 产品发布的适用的担保或担保免责声明。

TI 反对并拒绝您可能提出的任何其他或不同的条款。

邮寄地址：Texas Instruments, Post Office Box 655303, Dallas, Texas 75265

Copyright © 2024，德州仪器 (TI) 公司