

TLV61220 采用薄型 SOT-23 封装的低输入电压升压转换器

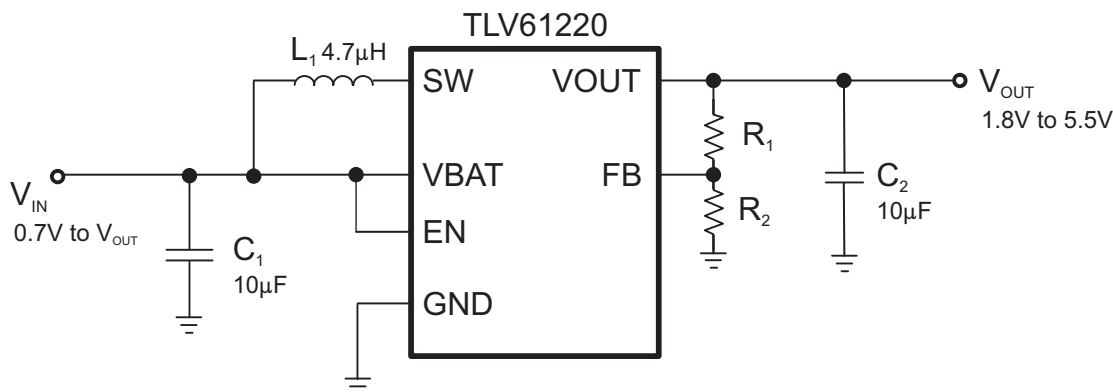
1 特性

- 在典型工作条件下效率高达 95%
- 5.5 μ A 静态电流
- 负载的启动输入电压为 0.7V
- 运行输入电压范围为 0.7V 至 5.5V
- 停机期间具有导通功能
- 最小开关电流为 200mA
- 保护特性:
 - 输出过压
 - 过热
 - 输入欠压闭锁
- 可调节输出电压范围为 1.8V 至 5.5V
- 小型 6 引脚超薄小外形尺寸晶体管 (SOT)-23 封装

2 应用范围

- 电池供电类 应用
 - 1 至 3 节碱性电池、镍镉电池 (NiCd) 或者镍氢电池 (NiMH)
 - 1 节锂离子或者锂离子一次性电池
- 太阳能或燃料电池供电 应用
- 消费类及便携式医疗产品
- 个人护理产品
- 白色或者状态发光二极管 (LED)
- 智能电话

4 典型应用电路原理图



3 说明

TLV61220 器件可以由单节、2 节或 3 节碱性、镍镉或镍氢电池或单节锂离子或锂聚合物电池供电的产品提供电源解决方案。可实现的输出电流取决于输入输出电压比。升压转换器建立在采用同步整流的磁滞控制器拓扑基础之上，能够以最少的静态电流实现最高的效率。可通过一个外部电阻分压器对此可调版本的输出电压进行设定，或者可将此电压内部设定为一个固定值。此转换器可由一个特定的使能引脚关闭。关闭时，电池消耗降至最低。此器件采用一个 6 引脚超薄 SOT-23 封装 (DBV)。

器件信息(1)

器件型号	封装	封装尺寸 (标称值)
TLV61220	SOT (6)	2.90mm x 1.60mm

(1) 如需了解所有可用封装，请见数据表末尾的可订购产品附录。



目录

1	特性	1	10.2	Functional Block Diagram	10
2	应用范围	1	10.3	Feature Description	10
3	说明	1	10.4	Device Functional Modes	11
4	典型应用电路原理图	1	11	Application and Implementation	12
5	修订历史记录	2	11.1	Application Information	12
6	Device Options	3	11.2	Typical Application	12
7	Pin Configuration and Functions	3	12	Power Supply Recommendations	16
8	Specifications	4	13	Layout	16
8.1	Absolute Maximum Ratings	4	13.1	Layout Guidelines	16
8.2	ESD Ratings	4	13.2	Layout Example	16
8.3	Recommended Operating Conditions	4	13.3	Thermal Considerations	16
8.4	Thermal Information	4	14	器件和文档支持	17
8.5	Electrical Characteristics	5	14.1	器件支持	17
8.6	Typical Characteristics	6	14.2	文档支持	17
9	Parameter Measurement Information	9	14.3	商标	17
10	Detailed Description	10	14.4	静电放电警告	17
10.1	Overview	10	14.5	术语表	17
			15	机械、封装和可订购信息	17

5 修订历史记录

Changes from Original (May 2012) to Revision A

Page

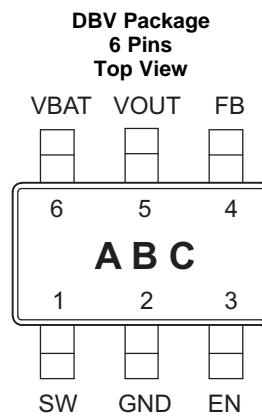
- 已添加 *ESD* 额定值表, 特性 描述部分, 器件功能模式, 应用和实施部分, 电源相关建议部分, 布局部分, 器件和文档支持部分以及机械、封装和可订购信息部分

1

6 Device Options

T _A	OUTPUT VOLTAGE DC/DC	PACKAGE	PART NUMBER
–40°C to 85°C	Adjustable	6-Pin SOT-23	TLV61220DBV

7 Pin Configuration and Functions



Pin Functions

PIN		I/O	DESCRIPTION
NAME	NO.		
EN	3	I	Enable input (VBAT enabled, GND disabled)
FB	4	I	Voltage feedback for programming the output voltage
GND	2	—	IC ground connection for logic and power
SW	1	I	Boost and rectifying switch input
VBAT	6	I	Supply voltage
VOUT	5	O	Boost converter output

8 Specifications

8.1 Absolute Maximum Ratings

over operating free-air temperature range (unless otherwise noted) ⁽¹⁾

		MIN	MAX	UNIT
V _{IN}	Input voltage on VBAT, SW, VOUT, EN, FB	-0.3	7.5	V
T _J	Operating junction temperature	-40	150	°C
T _{stg}	Storage temperature	-65	150	°C

- (1) Stresses beyond those listed under *Absolute Maximum Ratings* may cause permanent damage to the device. These are stress ratings only, which do not imply functional operation of the device at these or any other conditions beyond those indicated under *Recommended Operating Conditions*. Exposure to absolute-maximum-rated conditions for extended periods may affect device reliability.

8.2 ESD Ratings

		VALUE	UNIT
V _(ESD)	Electrostatic discharge	Human-body model (HBM), per ANSI/ESDA/JEDEC JS-001 ⁽¹⁾	±2000
		Charged-device model (CDM), per JEDEC specification JESD22-C101 ⁽²⁾	±1500

- (1) JEDEC document JEP155 states that 500-V HBM allows safe manufacturing with a standard ESD control process.
 (2) JEDEC document JEP157 states that 250-V CDM allows safe manufacturing with a standard ESD control process.

8.3 Recommended Operating Conditions

		MIN	NOM	MAX	UNIT
V _{IN}	Supply voltage at VIN	0.7		5.5	V
T _A	Operating free air temperature range	-40		85	°C
T _J	Operating virtual junction temperature range	-40		125	°C

8.4 Thermal Information

THERMAL METRIC ⁽¹⁾	TLV61220	UNIT	
	DBV		
	6 PINS		
R _{θJA}	Junction-to-ambient thermal resistance	185.7	°C/W
R _{θJC(top)}	Junction-to-case (top) thermal resistance	124.3	
R _{θJB}	Junction-to-board thermal resistance	31.3	
ψ _{JT}	Junction-to-top characterization parameter	22.9	
ψ _{JB}	Junction-to-board characterization parameter	30.8	
R _{θJC(bot)}	Junction-to-case (bottom) thermal resistance	N/A	

- (1) For more information about traditional and new thermal metrics, see the *IC Package Thermal Metrics* application report, [SPRA953](#).

8.5 Electrical Characteristics

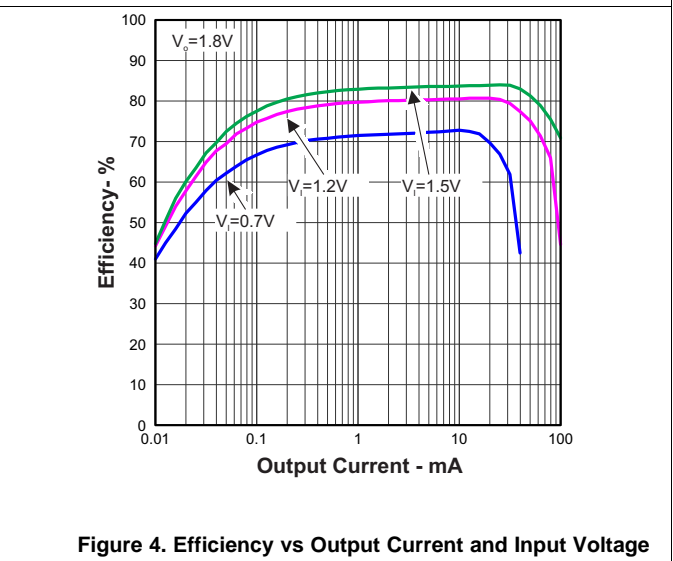
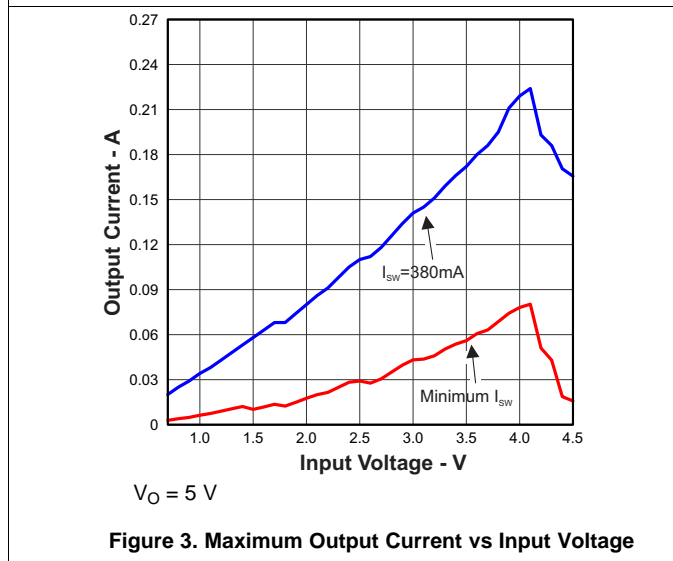
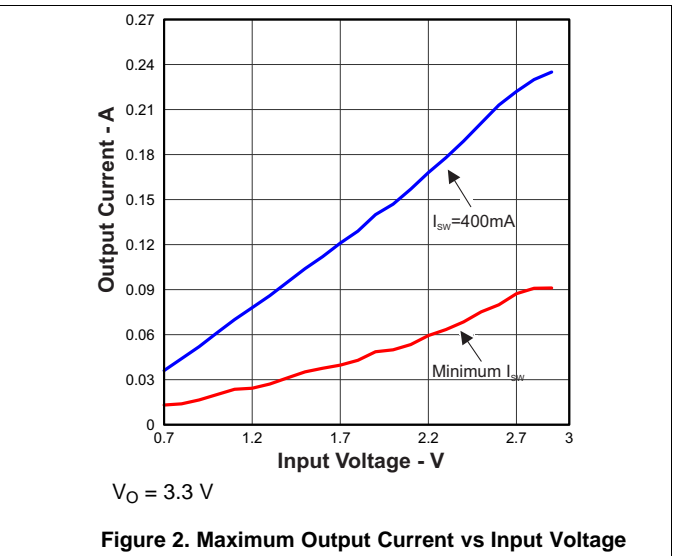
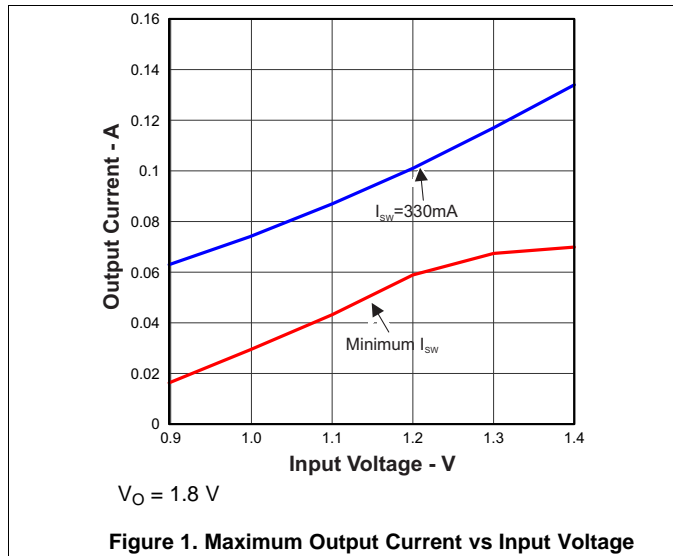
over recommended free-air temperature range and over recommended input voltage range (typical at an ambient temperature range of 25°C) (unless otherwise noted)

PARAMETER		TEST CONDITIONS	MIN	TYP	MAX	UNIT
DC/DC STAGE						
V_{IN}	Input voltage range		0.7		5.5	V
V_{IN}	Minimum input voltage at startup	$R_{Load} \geq 150 \Omega$			0.7	V
V_{OUT}	TLV61220 output voltage range	$V_{IN} < V_{OUT}$	1.8		5.5	V
V_{FB}	TLV61220 feedback voltage		483	500	513	mV
I_{LH}	Inductor current ripple			200		mA
I_{SW}	switch current limit	$V_{OUT} = 3.3 \text{ V}, V_{IN} = 1.2 \text{ V}, T_A = 25 \text{ }^\circ\text{C}$	220	400		mA
		$V_{OUT} = 3.3 \text{ V}, T_A = -40^\circ\text{C to } 85 \text{ }^\circ\text{C}$	180	400		mA
		$V_{OUT} = 3.3 \text{ V}, T_A = 0^\circ\text{C to } 85 \text{ }^\circ\text{C}$	200	400		mA
$R_{DS(on)}$	Rectifying switch on resistance, HSD	$V_{OUT} = 3.3 \text{ V}$		1000		m Ω
		$V_{OUT} = 5 \text{ V}$		700		m Ω
	Main switch on resistance, LSD	$V_{OUT} = 3.3 \text{ V}$		600		m Ω
		$V_{OUT} = 5 \text{ V}$		550		m Ω
	Line regulation	$V_{IN} < V_{OUT}$		0.5%		
	Load regulation	$V_{IN} < V_{OUT}$		0.5%		
I_Q	Quiescent current	V_{IN}	$I_O = 0 \text{ mA}, V_{EN} = V_{IN} = 1.2 \text{ V}, V_{OUT} = 3.3 \text{ V}$	0.5	0.9	μA
		V_{OUT}		5	7.5	μA
I_{SD}	Shutdown current	V_{IN}	$V_{EN} = 0 \text{ V}, V_{IN} = 1.2 \text{ V}, V_{OUT} \geq V_{IN}$	0.2	0.5	μA
I_{LKG}	Leakage current into VOUT		$V_{EN} = 0 \text{ V}, V_{IN} = 1.2 \text{ V}, V_{OUT} = 3.3 \text{ V}$	1		μA
	Leakage current into SW		$V_{EN} = 0 \text{ V}, V_{IN} = 1.2 \text{ V}, V_{SW} = 1.2 \text{ V}, V_{OUT} \geq V_{IN}$	0.01	0.2	μA
I_{FB}	TLV61220 Feedback input current		$V_{FB} = 0.5 \text{ V}$	0.01		μA
I_{EN}	EN input current		Clamped on GND or V_{IN} ($V_{IN} < 1.5 \text{ V}$)	0.005	0.1	μA
CONTROL STAGE						
V_{IL}	EN input low voltage	$V_{IN} \leq 1.5 \text{ V}$			$0.2 \times V_{IN}$	V
V_{IH}	EN input high voltage	$V_{IN} \leq 1.5 \text{ V}$	$0.8 \times V_{IN}$			V
V_{IL}	EN input low voltage	$5 \text{ V} > V_{IN} > 1.5 \text{ V}$			0.4	V
V_{IH}	EN input high voltage	$5 \text{ V} > V_{IN} > 1.5 \text{ V}$	1.2			V
V_{UVLO}	Undervoltage lockout threshold for turn off	V_{IN} decreasing		0.5	0.7	V
	Overvoltage protection threshold		5.5		7.5	V
	Overtemperature protection			140		$^\circ\text{C}$
	Overtemperature hysteresis			20		$^\circ\text{C}$

8.6 Typical Characteristics

Table 1. Table of Graphs

		FIGURE
Output Current	Input Voltage, $I_{SW} = 330\text{ mA}$, Minimum $I_{SW} = 200\text{ mA}$, $V_O = 1.8\text{ V}$	Figure 1
	Input Voltage, $I_{SW} = 400\text{ mA}$, Minimum $I_{SW} = 200\text{ mA}$, $V_O = 3.3\text{ V}$	Figure 2
	Input Voltage, $I_{SW} = 380\text{ mA}$, Minimum $I_{SW} = 200\text{ mA}$, $V_O = 5\text{ V}$	Figure 3
Efficiency	vs Output Current, $V_O = 1.8\text{ V}$, $V_I = [0.7\text{ V}; 1.2\text{ V}; 1.5\text{ V}]$	Figure 4
	vs Output Current, $V_O = 3.3\text{ V}$, $V_I = [0.7\text{ V}; 1.2\text{ V}; 2.4\text{ V}; 3\text{ V}]$	Figure 5
	vs Output Current, $V_O = 5\text{ V}$, $V_I = [0.7\text{ V}; 1.2\text{ V}; 3.6\text{ V}; 4.2\text{ V}]$	Figure 6
Efficiency	vs Input Voltage, $V_O = 1.8\text{ V}$, $I_O = [100\mu\text{A}; 1\text{ mA}; 10\text{ mA}; 50\text{ mA}]$	Figure 7
	vs Input Voltage, $V_O = 3.3\text{ V}$, $I_O = [100\mu\text{A}; 1\text{ mA}; 10\text{ mA}; 50\text{ mA}]$	Figure 8
	vs Input Voltage, $V_O = 5\text{ V}$, $I_O = [100\mu\text{A}; 1\text{ mA}; 10\text{ mA}; 50\text{ mA}]$	Figure 9
Output Voltage	vs Output Current, $V_O = 1.8\text{ V}$, $V_I = [0.7\text{ V}; 1.2\text{ V}]$	Figure 10
	vs Output Current, $V_O = 3.3\text{ V}$, $V_I = [0.7\text{ V}; 1.2\text{ V}; 2.4\text{ V}]$	Figure 11



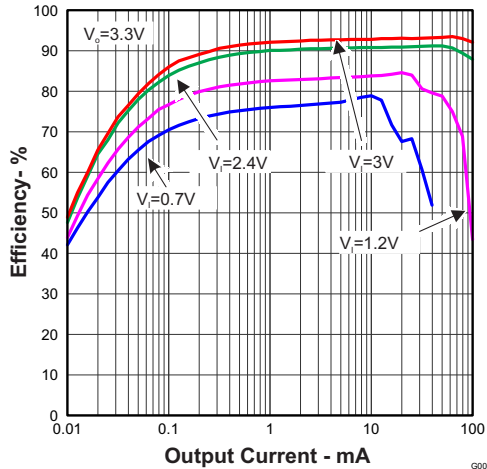


Figure 5. Efficiency vs Output Current and Input Voltage

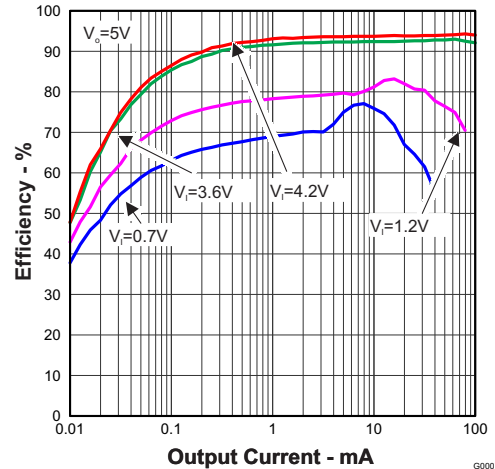


Figure 6. Efficiency vs Input Voltage and Output Current

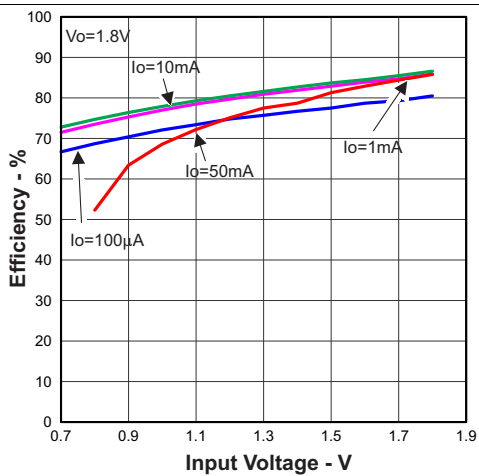


Figure 7. Efficiency vs Input Voltage and Output Current

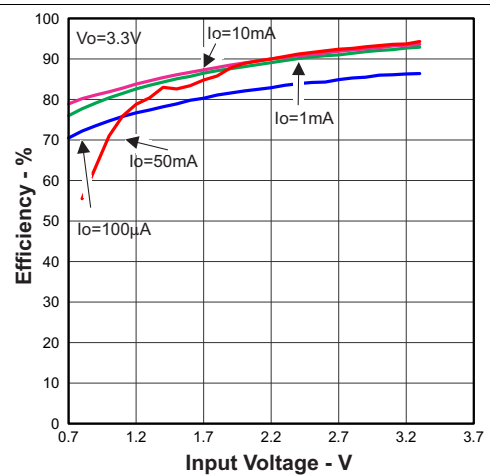


Figure 8. Efficiency vs Input Voltage and Output Current

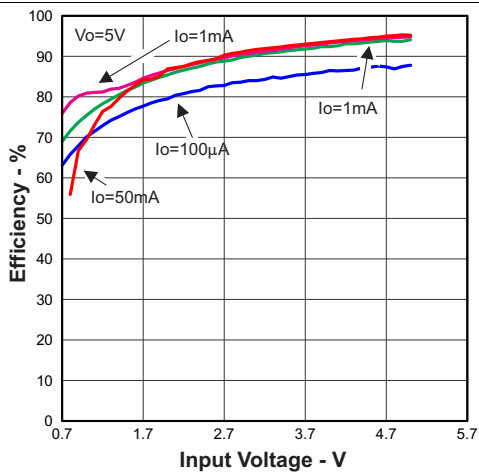


Figure 9. Efficiency vs Input Voltage and Output Current

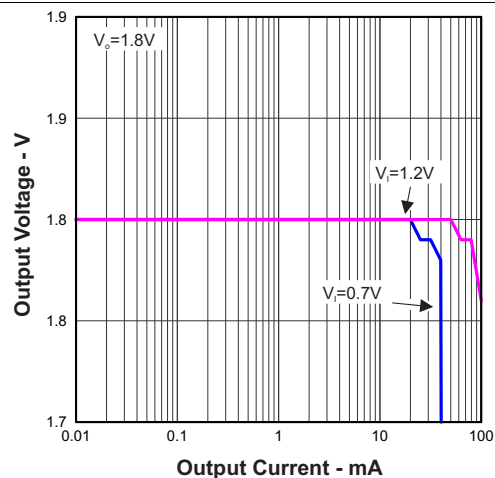


Figure 10. Output Voltage vs Output Current and Input Voltage

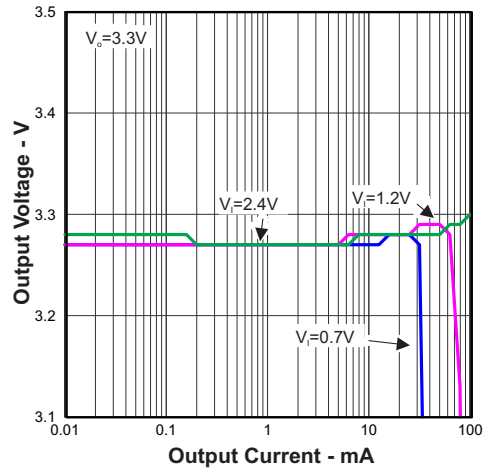


Figure 11. Output Voltage vs Output Current and Input Voltage

9 Parameter Measurement Information

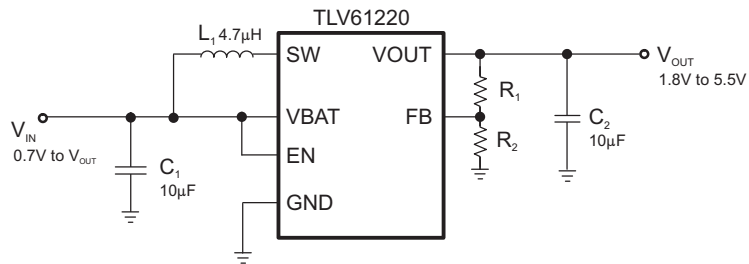


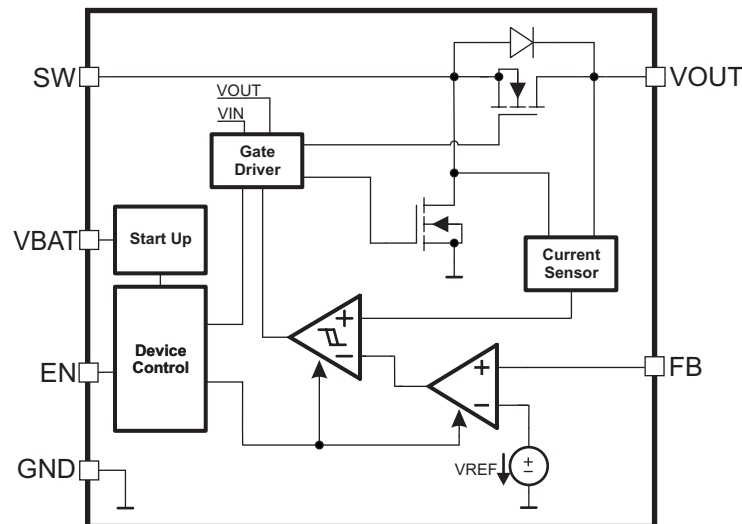
Figure 12. Parameter Measurement Schematic

10 Detailed Description

10.1 Overview

The TLV61220 is a high performance, highly efficient boost converter. To achieve high efficiency the power stage is realized as a synchronous boost topology. For the power switching two actively controlled low $R_{DS(on)}$ power MOSFETs are implemented.

10.2 Functional Block Diagram



10.3 Feature Description

10.3.1 Controller Circuit

The device is controlled by a hysteretic current mode controller. This controller regulates the output voltage by keeping the inductor ripple current constant in the range of 200 mA and adjusting the offset of this inductor current depending on the output load. In case the required average input current is lower than the average inductor current defined by this constant ripple the inductor current gets discontinuous to keep the efficiency high at low load conditions.

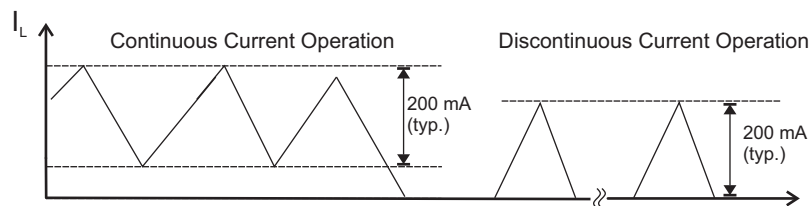


Figure 13. Hysteretic Current Operation

The output voltage V_{OUT} is monitored via the feedback network which is connected to the voltage error amplifier. To regulate the output voltage, the voltage error amplifier compares this feedback voltage to the internal voltage reference and adjusts the required offset of the inductor current accordingly. An external resistor divider needs to be connected.

The self oscillating hysteretic current mode architecture is inherently stable and allows fast response to load variations. It also allows using inductors and capacitors over a wide value range.

Feature Description (continued)

10.3.1.1 Startup

After the EN pin is tied high, the device starts to operate. In case the input voltage is not high enough to supply the control circuit properly a startup oscillator starts to operate the switches. During this phase the switching frequency is controlled by the oscillator and the maximum switch current is limited. As soon as the device has built up the output voltage to about 1.8 V, high enough for supplying the control circuit, the device switches to its normal hysteretic current mode operation. The startup time depends on input voltage and load current.

10.3.1.2 Operation at Output Overload

If in normal boost operation the inductor current reaches the internal switch current limit threshold the main switch is turned off to stop further increase of the input current.

In this case the output voltage will decrease since the device can not provide sufficient power to maintain the set output voltage.

If the output voltage drops below the input voltage the backgate diode of the rectifying switch gets forward biased and current starts flow through it. This diode cannot be turned off, so the current finally is only limited by the remaining DC resistances. As soon as the overload condition is removed, the converter resumes providing the set output voltage.

10.3.1.3 Undervoltage Lockout

An implemented undervoltage lockout function stops the operation of the converter if the input voltage drops below the typical undervoltage lockout threshold. This function is implemented in order to prevent malfunctioning of the converter.

10.3.1.4 Overvoltage Protection

If, for any reason, the output voltage is not fed back properly to the input of the voltage amplifier, control of the output voltage will not work anymore. Therefore an overvoltage protection is implemented to avoid the output voltage exceeding critical values for the device and possibly for the system it is supplying. For this protection the TLV61220 output voltage is also monitored internally. In case it reaches the internally programmed threshold of 6.5 V typically the voltage amplifier regulates the output voltage to this value.

If the TLV61220 is used to drive LEDs, this feature protects the circuit if the LED fails.

10.3.1.5 Overtemperature Protection

The device has a built-in temperature sensor which monitors the internal IC junction temperature. If the temperature exceeds the programmed threshold (see electrical characteristics table), the device stops operating. As soon as the IC temperature has decreased below the programmed threshold, it starts operating again. To prevent unstable operation close to the region of overtemperature threshold, a built-in hysteresis is implemented.

10.4 Device Functional Modes

10.4.1 Device Enable and Shutdown Mode

The device is enabled when EN is set high and shut down when EN is low. During shutdown, the converter stops switching and all internal control circuitry is turned off. In this case the input voltage is connected to the output through the back-gate diode of the rectifying MOSFET. This means that there always will be voltage at the output which can be as high as the input voltage or lower depending on the load.

11 Application and Implementation

NOTE

Information in the following applications sections is not part of the TI component specification, and TI does not warrant its accuracy or completeness. TI's customers are responsible for determining suitability of components for their purposes. Customers should validate and test their design implementation to confirm system functionality.

11.1 Application Information

The TLV61220 is intended for systems powered by a single cell battery to up to three Alkaline, NiCd or NiMH cells with a typical terminal voltage between 0.7 V and 5.5 V. It can also be used in systems powered by one-cell Li-Ion or Li-Polymer batteries with a typical voltage between 2.5 V and 4.2 V. Additionally, any other voltage source with a typical output voltage between 0.7 V and 5.5 V can be used with the TLV61220.

11.2 Typical Application

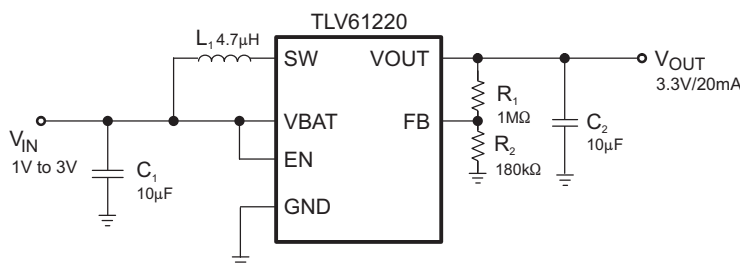


Figure 14. Typical Application Circuit for Adjustable Output Voltage Option

11.2.1 Design Requirements

In this example, TLV61220 is used to design a 3.3-V power supply with up to 50-mA output current capability. The TLV61220 can be powered by a single-cell battery to up to three Alkaline, NiCd or NiMH cells with a typical terminal voltage between 0.7 V and 5.5 V. It can also be used in systems powered by one-cell Li-Ion or Li-Polymer batteries with a typical voltage between 2.5 V and 4.2 V. In this example, the input voltage range is from 2 V to 3 V for one-cell coin cell battery input design.

Table 2. TLV61220 3.3 V Output Design Requirements

PARAMETERS	VALUES
Input Voltage	2 V to 3 V
Output Voltage	3.3 V
Output Current	50 mA

11.2.2 Detailed Design Procedure

Table 3. List of Components

COMPONENT REFERENCE	PART NUMBER	MANUFACTURER	VALUE
C ₁	GRM188R60J106ME84D	Murata	10 µF, 6.3V. X5R Ceramic
C ₂	GRM188R60J106ME84D	Murata	10 µF, 6.3V. X5R Ceramic
L ₁	1269AS-H-4ZR7N	Toko	4.7 µH
R ₁ , R ₂			R ₁ = 1MΩ, R ₂ = Values depending on the programmed output voltage

11.2.2.1 Adjustable Output Voltage Version

An external resistor divider is used to adjust the output voltage. The resistor divider needs to be connected between VOUT, FB and GND as shown in [Figure 14](#). When the output voltage is regulated properly, the typical voltage value at the FB pin is 500 mV. The maximum recommended value for the output voltage is 5.5 V. The current through the resistive divider should be about 100 times greater than the current into the FB pin. The typical current into the FB pin is 0.01 μA , and the voltage across the resistor between FB and GND, R_2 , is typically 500 mV. Based on those two values, the recommended value for R_2 should be lower than 500 k Ω , in order to set the divider current to 1 μA or higher. The value of the resistor connected between VOUT and FB, R_1 , depending on the needed output voltage (V_{OUT}), can be calculated using [Equation 1](#):

$$R_1 = R_2 \times \left(\frac{V_{\text{OUT}}}{V_{\text{FB}}} - 1 \right) \quad (1)$$

As an example, if an output voltage of 3.3 V is needed, a 1-M Ω resistor is calculated for R_1 when for R_2 a 180-k Ω has been selected.

11.2.2.2 Inductor Selection

To make sure that the TLV61220 can operate, a suitable inductor must be connected between pin VBAT and pin SW. Inductor values of 4.7 μH show good performance over the whole input and output voltage range .

Choosing other inductance values affects the switching frequency f proportional to $1/L$ as shown in [Equation 2](#).

$$L = \frac{1}{f \times 200 \text{ mA}} \times \frac{V_{\text{IN}} \times (V_{\text{OUT}} - V_{\text{IN}})}{V_{\text{OUT}}} \quad (2)$$

Choosing inductor values higher than 4.7 μH can improve efficiency due to reduced switching frequency and, therefore, with reduced switching losses. Using inductor values below 2.2 μH is not recommended.

Having selected an inductance value, the peak current for the inductor in steady state operation can be calculated. [Equation 3](#) gives the peak current estimate.

$$I_{L,\text{MAX}} = \begin{cases} \frac{V_{\text{OUT}} \times I_{\text{OUT}}}{0.8 \times V_{\text{IN}}} + 100 \text{ mA}; & \text{continuous current operation} \\ 200 \text{ mA}; & \text{discontinuous current operation} \end{cases} \quad (3)$$

For selecting the inductor this would be the suitable value for the current rating. It also needs to be taken into account that load transients and error conditions may cause higher inductor currents.

[Equation 4](#) helps to estimate whether the device will work in continuous or discontinuous operation depending on the operating points. As long as the inequation is true, continuous operation is typically established. If the inequation becomes false, discontinuous operation is typically established.

$$\frac{V_{\text{OUT}} \times I_{\text{OUT}}}{V_{\text{IN}}} > 0.8 \times 100 \text{ mA} \quad (4)$$

The following inductor series from different suppliers have been used with TLV61220 converters:

Table 4. List of Inductors

VENDOR	INDUCTOR SERIES
Toko	DFE252010C
Coilcraft	EPL3015
	EPL2010
Murata	LQH3NP
Taiyo Yuden	NR3015
Würth Elektronik	WE-TPC Typ S

11.2.2.3 Capacitor Selection

11.2.2.3.1 Input Capacitor

At least a 10-μF input capacitor is recommended to improve transient behavior of the regulator and EMI behavior of the total power supply circuit. A ceramic capacitor placed as close as possible to the VBAT and GND pins of the IC is recommended.

11.2.2.3.2 Output Capacitor

For the output capacitor C_2 , it is recommended to use small ceramic capacitors placed as close as possible to the VOUT and GND pins of the IC. If, for any reason, the application requires the use of large capacitors which can not be placed close to the IC, the use of a small ceramic capacitor with an capacitance value of around 2.2μF in parallel to the large one is recommended. This small capacitor should be placed as close as possible to the VOUT and GND pins of the IC.

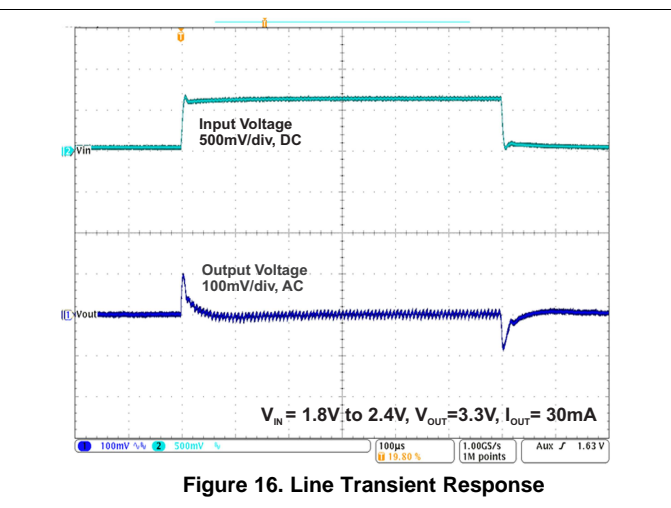
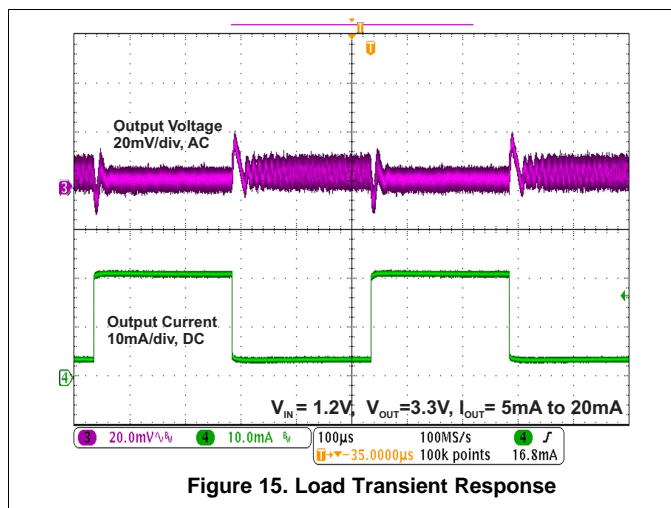
A minimum capacitance value of 4.7 μF should be used, 10 μF are recommended. If the inductor value exceeds 4.7 μH, the value of the output capacitance value needs to be half the inductance value or higher for stability reasons, see Equation 5.

$$C_2 \geq \frac{L}{2} \times \frac{\mu\text{F}}{\mu\text{H}} \tag{5}$$

The TLV61220 is not sensitive to the ESR in terms of stability. Using low ESR capacitors, such as ceramic capacitors, is recommended anyway to minimize output voltage ripple. If heavy load changes are expected, the output capacitor value should be increased to avoid output voltage drops during fast load transients.

11.2.3 Application Curves

	FIGURE
Load transient, $V_I = 1.2\text{ V}$, $V_O = 3.3\text{ V}$, $I_O = 5\text{ mA}$ to 20 mA	Figure 15
Line transient, $V_I = 1.8\text{ V}$ to 2.4 V , $V_O = 3.3\text{ V}$, $I_O = 30\text{ mA}$	Figure 16
Startup after Enable, $V_I = 1.2\text{ V}$, $V_O = 3.3\text{ V}$, $R_{LOAD} = 50\ \Omega$	Figure 17



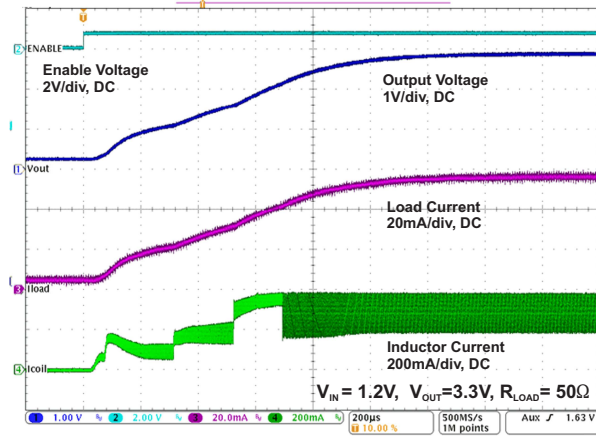


Figure 17. Start Up After Enable

12 Power Supply Recommendations

The power supply can be single-cell, two-cell, or three-cell alkaline, NiCd or NiMH, or one-cell Li-Ion or Li-polymer battery.

The input supply should be well regulated with the rating of TLV61220. If the input supply is located more than a few inches from the device, additional bulk capacitance may be required in addition to the ceramic bypass capacitors. An electrolytic or tantalum capacitor with a value of 47 μF is a typical choice.

13 Layout

13.1 Layout Guidelines

As for all switching power supplies, the layout is an important step in the design, especially at high peak currents and high switching frequencies. If the layout is not carefully done, the regulator could show stability problems as well as EMI problems. Therefore, use wide and short traces for the main current path and for the power ground paths. The input and output capacitor, as well as the inductor should be placed as close as possible to the IC.

The feedback divider should be placed as close as possible to the control ground pin of the IC. To lay out the ground, it is recommended to use short traces as well, separated from the power ground traces. This avoids ground shift problems, which can occur due to superimposition of power ground current and control ground current. Assure that the ground traces are connected close to the device GND pin.

13.2 Layout Example

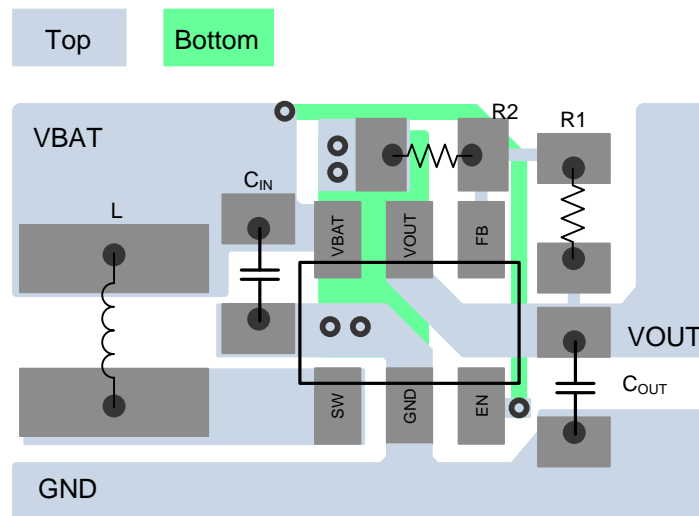


Figure 18. PCB Layout Recommendation

13.3 Thermal Considerations

Implementation of integrated circuits in low-profile and fine-pitch surface-mount packages typically requires special attention to power dissipation. Many system-dependent issues such as thermal coupling, airflow, added heat sinks and convection surfaces, and the presence of other heat-generating components affect the power-dissipation limits of a given component.

Three basic approaches for enhancing thermal performance are listed below.

- Improving the power-dissipation capability of the PCB design
- Improving the thermal coupling of the component to the PCB
- Introducing airflow in the system

For more details on how to use the thermal parameters in the dissipation ratings table please check the [Thermal Characteristics Application Note \(SZZA017\)](#) and the [IC Package Thermal Metrics Application Note \(SPRA953\)](#).

14 器件和文档支持

14.1 器件支持

14.1.1 第三方产品免责声明

TI 发布的与第三方产品或服务有关的信息，不能构成与此类产品或服务或保修的适用性有关的认可，不能构成此类产品或服务单独或与任何 TI 产品或服务一起的表示或认可。

14.2 文档支持

14.2.1 相关文档

相关文档请参见以下部分：

- 《散热特性数据应用手册》，[SZZA017](#)
- 应用手册《IC 封装热指标》（文献编号：[SPRA953](#)）

14.3 商标

All trademarks are the property of their respective owners.

14.4 静电放电警告



这些装置包含有限的内置 ESD 保护。存储或装卸时，应将导线一起截短或将装置放置于导电泡棉中，以防止 MOS 门极遭受静电损伤。

14.5 术语表

[SLYZ022](#) — TI 术语表。

这份术语表列出并解释术语、首字母缩略词和定义。

15 机械、封装和可订购信息

以下页中包括机械、封装和可订购信息。这些信息是针对指定器件可提供的最新数据。这些数据会在无通知且不对本文档进行修订的情况下发生改变。欲获得该数据表的浏览器版本，请查阅左侧的导航栏。

PACKAGING INFORMATION

Orderable Device	Status (1)	Package Type	Package Drawing	Pins	Package Qty	Eco Plan (2)	Lead finish/ Ball material (6)	MSL Peak Temp (3)	Op Temp (°C)	Device Marking (4/5)	Samples
TLV61220DBVR	ACTIVE	SOT-23	DBV	6	3000	RoHS & Green	NIPDAU	Level-1-260C-UNLIM	-40 to 85	VUAI	Samples
TLV61220DBVT	ACTIVE	SOT-23	DBV	6	250	RoHS & Green	NIPDAU	Level-1-260C-UNLIM	-40 to 85	VUAI	Samples

(1) The marketing status values are defined as follows:

ACTIVE: Product device recommended for new designs.

LIFEBUY: TI has announced that the device will be discontinued, and a lifetime-buy period is in effect.

NRND: Not recommended for new designs. Device is in production to support existing customers, but TI does not recommend using this part in a new design.

PREVIEW: Device has been announced but is not in production. Samples may or may not be available.

OBSOLETE: TI has discontinued the production of the device.

(2) **RoHS:** TI defines "RoHS" to mean semiconductor products that are compliant with the current EU RoHS requirements for all 10 RoHS substances, including the requirement that RoHS substance do not exceed 0.1% by weight in homogeneous materials. Where designed to be soldered at high temperatures, "RoHS" products are suitable for use in specified lead-free processes. TI may reference these types of products as "Pb-Free".

RoHS Exempt: TI defines "RoHS Exempt" to mean products that contain lead but are compliant with EU RoHS pursuant to a specific EU RoHS exemption.

Green: TI defines "Green" to mean the content of Chlorine (Cl) and Bromine (Br) based flame retardants meet JS709B low halogen requirements of <=1000ppm threshold. Antimony trioxide based flame retardants must also meet the <=1000ppm threshold requirement.

(3) MSL, Peak Temp. - The Moisture Sensitivity Level rating according to the JEDEC industry standard classifications, and peak solder temperature.

(4) There may be additional marking, which relates to the logo, the lot trace code information, or the environmental category on the device.

(5) Multiple Device Markings will be inside parentheses. Only one Device Marking contained in parentheses and separated by a "~" will appear on a device. If a line is indented then it is a continuation of the previous line and the two combined represent the entire Device Marking for that device.

(6) Lead finish/Ball material - Orderable Devices may have multiple material finish options. Finish options are separated by a vertical ruled line. Lead finish/Ball material values may wrap to two lines if the finish value exceeds the maximum column width.

Important Information and Disclaimer:The information provided on this page represents TI's knowledge and belief as of the date that it is provided. TI bases its knowledge and belief on information provided by third parties, and makes no representation or warranty as to the accuracy of such information. Efforts are underway to better integrate information from third parties. TI has taken and continues to take reasonable steps to provide representative and accurate information but may not have conducted destructive testing or chemical analysis on incoming materials and chemicals. TI and TI suppliers consider certain information to be proprietary, and thus CAS numbers and other limited information may not be available for release.

In no event shall TI's liability arising out of such information exceed the total purchase price of the TI part(s) at issue in this document sold by TI to Customer on an annual basis.

EXAMPLE BOARD LAYOUT

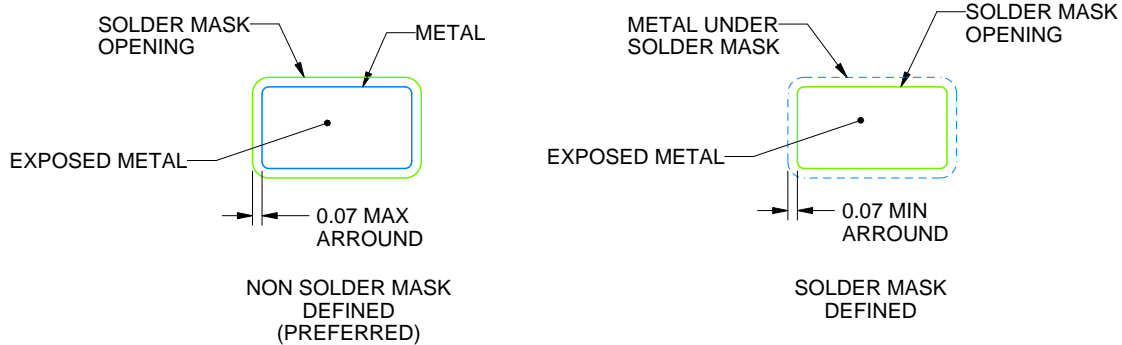
DBV0006A

SOT-23 - 1.45 mm max height

SMALL OUTLINE TRANSISTOR



LAND PATTERN EXAMPLE
EXPOSED METAL SHOWN
SCALE:15X



SOLDER MASK DETAILS

4214840/G 08/2024

NOTES: (continued)

6. Publication IPC-7351 may have alternate designs.
7. Solder mask tolerances between and around signal pads can vary based on board fabrication site.

EXAMPLE STENCIL DESIGN

DBV0006A

SOT-23 - 1.45 mm max height

SMALL OUTLINE TRANSISTOR



SOLDER PASTE EXAMPLE
BASED ON 0.125 mm THICK STENCIL
SCALE:15X

4214840/G 08/2024

NOTES: (continued)

8. Laser cutting apertures with trapezoidal walls and rounded corners may offer better paste release. IPC-7525 may have alternate design recommendations.
9. Board assembly site may have different recommendations for stencil design.

重要声明和免责声明

TI“按原样”提供技术和可靠性数据（包括数据表）、设计资源（包括参考设计）、应用或其他设计建议、网络工具、安全信息和其他资源，不保证没有瑕疵且不做任何明示或暗示的担保，包括但不限于对适销性、某特定用途方面的适用性或不侵犯任何第三方知识产权的暗示担保。

这些资源可供使用 TI 产品进行设计的熟练开发人员使用。您将自行承担以下全部责任：(1) 针对您的应用选择合适的 TI 产品，(2) 设计、验证并测试您的应用，(3) 确保您的应用满足相应标准以及任何其他功能安全、信息安全、监管或其他要求。

这些资源如有变更，恕不另行通知。TI 授权您仅可将这些资源用于研发本资源所述的 TI 产品的应用。严禁对这些资源进行其他复制或展示。您无权使用任何其他 TI 知识产权或任何第三方知识产权。您应全额赔偿因在这些资源的使用中对 TI 及其代表造成的任何索赔、损害、成本、损失和债务，TI 对此概不负责。

TI 提供的产品受 [TI 的销售条款](#) 或 [ti.com](#) 上其他适用条款/TI 产品随附的其他适用条款的约束。TI 提供这些资源并不会扩展或以其他方式更改 TI 针对 TI 产品发布的适用的担保或担保免责声明。

TI 反对并拒绝您可能提出的任何其他或不同的条款。

邮寄地址：Texas Instruments, Post Office Box 655303, Dallas, Texas 75265

Copyright © 2024，德州仪器 (TI) 公司