

具有电池平衡功能且适用于 USB 输入的 BQ25887 I2C 控制型 2 节电池、2A 升压模式电池充电器

1 特性

- 高效的 2A、1.5MHz 开关模式升压充电器
 - 在 5V 适配器、7.6V 电池、充电电流为 1A 下的充电效率为 93.4%
 - 针对 USB 输入和 2 节锂离子电池进行了优化
 - 用于轻负载运行的可选低功耗 PFM 模式
- 单个输入，支持 USB 输入适配器
 - 支持 3.9V 至 6.2V 的输入电压范围，绝对最大输入电压额定值为 20V
 - 输入电流限制（500mA 至 3.3A，精度为 100-mA），支持 USB2.0、USB3.0 标准适配器
 - 通过高达 5.5V 的输入电压限制进行最大功率跟踪
- 电池平衡和 I²C 控制功能
 - 集成式 FET，可支持高达 400mA 的平衡电流
 - 采用默认寄存器设置的自动电池平衡功能
- 输入电流优化器 (ICO)，无需过载适配器即可最大限度地提高输入功率
- 集成式 16 位 ADC，用于系统监控（总线电压和电流、电池电压、充电电流、以及 NTC 和裸片温度）
- 高集成度包括所有 MOSFET、电流检测和环路补偿

- 高精度
 - $\pm 0.5\%$ 充电电压调节
 - $\pm 5\%$ 充电电流调节
 - $\pm 7.5\%$ 输入电流调节
- 安全
 - 在充电下的电池温度检测
 - 热调节和热关断

2 应用

- 电动玩具和机器人玩具
- 虚拟现实耳麦
- IP 网络摄像头
- 无人机有效载荷控制

3 说明

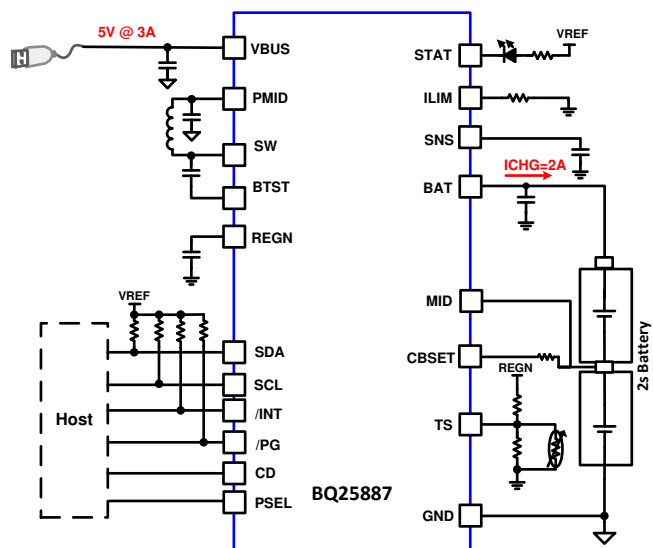
BQ25887 是一款高度集成的 2A 升压开关模式电池充电管理器件，适用于 2 节 (2s) 锂离子和锂聚合物电池。BQ25887 具有 I2C 控制和电池平衡功能，适用于 USB 输入。

器件信息⁽¹⁾

器件型号	封装	封装尺寸 (标称值)
BQ25887	VQFN (24)	4.00mm x 4.00mm

(1) 如需了解所有可用封装，请参阅数据表末尾的可订购产品附录。

简化原理图



目录

1	特性	1	8.4	Device Functional Modes	30
2	应用	1	8.5	Register Maps	31
3	说明	1	9	Application and Implementation	69
4	修订历史记录	2	9.1	Application Information	69
5	Device Comparison Table	3	9.2	Typical Application	69
6	Pin Configuration and Functions	4	10	Power Supply Recommendations	74
7	Specifications	6	11	Layout	74
7.1	Absolute Maximum Ratings	6	11.1	Layout Guidelines	74
7.2	ESD Ratings	6	11.2	Layout Example	75
7.3	Recommended Operating Conditions	6	12	器件和文档支持	76
7.4	Thermal Information	7	12.1	器件支持	76
7.5	Electrical Characteristics	7	12.2	文档支持	76
7.6	Timing Requirements	11	12.3	接收文档更新通知	76
7.7	Typical Characteristics	13	12.4	支持资源	76
8	Detailed Description	15	12.5	商标	76
8.1	Overview	15	12.6	静电放电警告	76
8.2	Functional Block Diagram	15	12.7	Glossary	76
8.3	Feature Description	16	13	机械、封装和可订购信息	77

4 修订历史记录

注：之前版本的页码可能与当前版本有所不同。

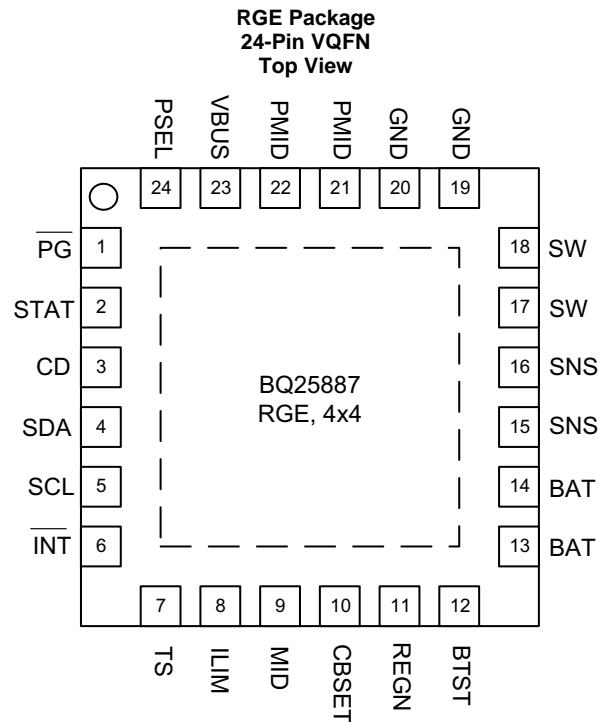
Changes from Revision A (May 2019) to Revision B	Page
• 已更改 更改了“应用”部分	1
• 已删除 删除了无 OTG 和无电源路径，目标位置：说明	1
• 已添加 note to Absolute Maximum Ratings	7
• 已添加 图 79	72
• 已添加 图 80	72

Changes from Original (February 2019) to Revision A	Page
• 已更改 将“预告信息”更改为“生产数据”	1

5 Device Comparison Table

PART NUMBER	BQ25882	BQ25883	BQ25886	BQ25887
VBUS Operating Range	3.9 to 6.2 V	3.9 to 6.2 V	4.3 to 6.2 V	3.9 to 6.2 V
USB Detection	D+/D-	D+/D-	D+/D-	PSEL
Power path	Yes	Yes	Yes	No
Cell Balancing	No	No	No	Yes
OTG	Up to 2 A	Up to 2 A	Up to 2 A	No OTG
16 bit ADC	Yes	Yes	No	Yes
Control Interface	I2C	I2C	Standalone	I2C
Status Pin	/PG	STAT, /PG	STAT, /PG	STAT, /PG
Package	2.1x2.1 WCSP-25	4x4 QFN-24	4x4 QFN-24	4x4 QFN-24

6 Pin Configuration and Functions



Pin Functions

PIN		I/O	DESCRIPTION
NAME	NO.		
$\overline{\text{PG}}$	1	DO	Open drain active low power good indicator – Connect to the pull up rail via 10-k Ω resistor. LOW indicates a good input source if the input voltage is within VVBUS_OP, and can provide more than IPOORSRC (30mA).
STAT	2	DO	Open drain charge status indicator – Connect to the pull-up rail via 10-k Ω resistor. LOW indicates charge in progress. HIGH indicates charge complete or charge disabled. When any fault occurs, the STAT pin blinks at 1Hz. The STAT function can be disabled when the STAT_DIS bit is set.
CD	3	DI	Active High Chip Disable Pin – Pull CD high to disable charge and place the device in HIZ mode. ADC operation and I2C is still allowed when CD is high. Converter is enabled when CD pin is LOW and EN_CHG bit is 1. CD pin is internally pulled low with 900-k Ω resistor.
SDA	4	DIO	I2C Interface Data – Connect SDA to the pull up rail through a 10-k Ω resistor.
SCL	5	DI	I2C Interface Clock – Connect SCL to the pull up rail through a 10-k Ω resistor.
$\overline{\text{INT}}$	6	DO	Open drain active Interrupt Output – Connect $\overline{\text{INT}}$ to the pull up rail via a 10-k Ω resistor. The $\overline{\text{INT}}$ pin sends active low, 256- μ s pulse to the host to report charger device status and fault.
TS	7	AI	Temperature Qualification Voltage – Connect a negative temperature coefficient thermistor. Program temperature window with a resistor divider from REGN to TS to GND. Charge suspends when TS pin is out of range. Recommend 103AT-2 thermistor.
ILIM	8	AI	Input Current Limit (IINDPM) – ILIM pin sets the maximum input current and can be used to monitor input current. IINDPM loop regulates ILIM pin voltage at 0.8V. When ILIM pin is less than 0.8V, the input current can be calculated by $IIN = KILIM \times VILIM / (RILIM \times 0.8V)$. A resistor connected from ILIM pin to ground sets the input current limit as maximum ($IINMAX = KILIM / RILIM$). When ILIM pin is short to GND, the input current limit is set to maximum by ILIM. The actual input current limit is the lower limit set by ILIM pin (when EN_ILIM bit is HIGH) or IINDPM register bits. Input current limit less than 500mA is not supported on ILIM pin. The ILIM pin function can be disabled when EN_ILIM bit is 0. If ILIM pin is not used, pull this pin to GND. Do not float this pin.
MID	9	AI	Voltage Input for Mid Point Between Cells in 2S1P Configuration – Connect MID to the negative terminal of the top cell and the positive terminal of the bottom cell. This pin measures the voltage of the bottom cell for cell balancing and VMID ADC measurement. For protection of bottom cell reverse plug in, connect a 300 ohm resistor in series between MID pin and mid connection point of the two battery cell.

Pin Functions (continued)

PIN		I/O	DESCRIPTION
NAME	NO.		
CBSET	10	P	Power pin for Cell Balancing – Connect CBSET to the mid point between the two batteries in 2S configuration with a current limit resistor. The resistor value determines the cell balancing current as calculated in Cell Balancing Section. The resistor chosen should not exceed 400 mA for cell balancing.
REGN	11	P	Gate Drive Supply – Bias supply for internal MOSFETs driver and IC. Bypass REGN to GND with a 4.7- μ F ceramic capacitor. REGN current limit is 50 mA.
BTST	12	P	PWM High-side Driver Supply – Internally, BTST is connected to the cathode of the boot-strap diode. Connect a 47nF bootstrap capacitor from SW to BTST.
BAT	13, 14	P	Battery Power Connection – Connect minimum recommended 10- μ F capacitance after derating closely to the BAT pin and GND.
SNS	15, 16	AO	Sense Output – Charge current sense pin. Place a 44- μ F ceramic capacitor on this pin for stability of this output.
SW	17, 18	P	Inductor Connection – Connect to the switched side of the external inductor.
GND	19, 20	–	Ground Return
PMID	21, 22	P	Blocking MOSFET Connection – The minimum recommended total input low-ESR capacitance on VBUS and PMID, after applied derating, is 10 μ F. At least 1- μ F is recommended at VBUS with the remainder at PMID. Typical value for PMID is 10 μ F.
VBUS	23	P	Input Supply – VBUS is connected to the external DC supply. Bypass VBUS to GND with at least 1- μ F ceramic capacitor, placed as close to the IC as possible.
PSEL	24	DI	Power Source Selection – HIGH indicates USB host source (500mA) and LOW indicates adapter source (3.0A).

7 Specifications

7.1 Absolute Maximum Ratings

 over operating free-air temperature range (unless otherwise noted) ⁽¹⁾

		MIN	MAX	UNIT
Voltage Range (with respect to GND unless otherwise specified)	V _{BUS} (converter not switching)	-0.3	20	V
	P _{MID} (converter not switching)	-0.3	8.5	V
	BAT, SNS, MID, CBSET (converter not switching)	-0.3	12	V
	SW	-0.3 ⁽²⁾	13	V
	BTST	-0.3	19	V
	REGN, STAT, /PG, TS	-0.3	6	V
	ILIM	-0.3	5	V
	BTST to SW	-0.3	6	V
	SDA, SCL, /INT, CD, PSEL,	-0.3	6	V
Voltage Range (with respect to GND unless otherwise specified)	BAT to CBSET	0	12	V
Output Sink Current	/INT, STAT, /PG		6	mA
Junction Temperature, T _J		-40	150	°C
Storage temperature, T _{stg}		-40	150	°C

- (1) Stresses beyond those listed under *Absolute Maximum Ratings* may cause permanent damage to the device. These are stress ratings only, which do not imply functional operation of the device at these or any other conditions beyond those indicated under *Recommended Operating Conditions*. Exposure to absolute-maximum-rated conditions for extended periods may affect device reliability.
- (2) -2V for 50ns

7.2 ESD Ratings

			VALUE	UNIT
V _(ESD)	Electrostatic discharge	Human body model (HBM), per ANSI/ESDA/JEDEC JS-001 ⁽¹⁾	±2000	V
		Charged device model (CDM), per JEDEC specification JESD22-C101 ⁽²⁾	±250	

- (1) JEDEC document JEP155 states that 500-V HBM allows safe manufacturing with a standard ESD control process.
- (2) JEDEC document JEP157 states that 250-V CDM allows safe manufacturing with a standard ESD control process.

7.3 Recommended Operating Conditions

over operating free-air temperature range (unless otherwise noted)

		MIN	NOM	MAX	UNIT
V _{VBUS}	Input Voltage	3.9		6.2	V
I _{VBUS}	Average input current (VBUS)			3.3	A
I _{BAT}	Average charge current (IBAT)			2.2	A
I _{BAT_RMS}	RMS discharging current with internal MOSFET			5	A
I _{BAT_PK}	Peak discharging current with internal MOSFET			9 (up to 1us)	A
V _{BAT}	Battery Voltage			9.2 ⁽¹⁾	V
T _A	Operating free-air temperature range	-40		85	°C

- (1) The inherent switching noise voltage spikes should not exceed the absolute maximum rating on SW pin. A tight layout minimizes switching noise.

7.4 Thermal Information

over operating free-air temperature range (unless otherwise noted)

THERMAL METRIC ⁽¹⁾		bq25887	
		RGE (VQFN)	
		24-PIN	
			UNIT
$R_{\theta JA}$	Junction-to-ambient thermal resistance (JEDEC ⁽¹⁾)	32.4	°C/W
$R_{\theta JC(top)}$	Junction-to-case (top) thermal resistance	26.7	°C/W
$R_{\theta JB}$	Junction-to-board thermal resistance	10.7	°C/W
Ψ_{JT}	Junction-to-top characterization parameter	0.4	°C/W
Ψ_{JB}	Junction-to-board characterization parameter	10.6	°C/W
$R_{\theta JC(bot)}$	Junction-to-case (bottom) thermal resistance	3.7	°C/W

(1) For more information about traditional and new thermal metrics, see the Semiconductor and IC Package Thermal Metrics application report, [SPRA953](#).

7.5 Electrical Characteristics

 $V_{VBUS_UVLO_RISING} < V_{VBUS} < V_{VBUS_OV}$, $T_J = -40^{\circ}\text{C}$ to $+125^{\circ}\text{C}$, and $T_J = 25^{\circ}\text{C}$ for typical values (unless otherwise noted)

PARAMETER		TEST CONDITIONS	MIN	TYP	MAX	UNIT
QUIESCENT CURRENTS						
I_{BAT}	Battery discharge current (BAT)	VBAT = 9 V, No VBUS, SCL, SDA = 0 V or 1.8 V, $T_J = 25^{\circ}\text{C}$, ADC Disabled		12	14	μA
		VBAT = 9 V, No VBUS, SCL, SDA = 0 V or 1.8 V, $T_J < 85^{\circ}\text{C}$, ADC Disabled		12	20	μA
I_{VBUS_HIZ}	Input supply current (VBUS) in HIZ	VBUS = 5 V, High-Z Mode, no battery, ADC Disabled, 25°C		30	38	μA
		VBUS = 5 V, High-Z Mode, no battery, ADC Disabled, $< 85^{\circ}\text{C}$		30	48	μA
I_{VBUS}	Input supply current (VBUS)	VBUS = 5 V, $V_{BAT} = 7.6$ V, converter not switching		1.5	3	mA
		VBUS = 5 V, $V_{BAT} = 7.6$ V, converter switching		3		mA
VBUS/VBAT POWER UP						
V_{VBUS_OP}	VBUS operating range		3.9		6.2	V
$V_{VBUS_UVLO_RISING}$	VBUS rising for active I2C, no battery	VBUS rising		3.3	3.68	V
V_{VBUS_OV}	VBUS over-voltage rising threshold	VBUS rising		6.2	6.6	V
	VBUS over-voltage falling threshold	VBUS falling		5.9	6.4	V
$V_{BAT_UVLO_RISING}$	Battery for active I2C	VBAT rising		3.7	4.42	V
$V_{POORSRC_FALLING}$	Bad adapter detection threshold	VBUS falling below $V_{POORSRC_FALLING}$		3.7		V
$I_{POORSRC}$	Bad adapter detection current source			15		mA
BATTERY CHARGER						
$V_{CELLREG_RANGE}$	Typical charge voltage regulation range		3.4		4.6	V
$V_{CELLREG_STEP}$	Typical charge voltage step			5		mV
$V_{CELLREG_ACC}$	Charge voltage	VREG = 4.20 V, $T_J = 0^{\circ}\text{C}$ to 85°C ,	4.179	4.2	4.221	V
$V_{CELLREG_ACC}$	Charge voltage	VREG = 4.35 V, $T_J = 0^{\circ}\text{C}$ to 85°C	4.328	4.35	4.372	V
I_{CHG_RANGE}	Charge current regulation range		100		2200	mA
I_{CHG_STEP}	Charge current regulation step			50		mA
I_{CHG_ACC}	Fast Charge current regulation accuracy	ICHG = 1000 mA, VBAT = 6.2 V or 7.6 V, $T_J = 0^{\circ}\text{C}$ to 85°C	-7.5		7.5	%
I_{CHG_ACC}	Fast Charge current regulation accuracy	ICHG = 500mA, VBAT = 6.2 V or 7.6 V, $T_J = 0^{\circ}\text{C}$ to 85°C	-15		15	%
I_{CHG_ACC}	Fast Charge current regulation accuracy	ICHG = 250 mA, VBAT = 6.2 V or 7.6 V, $T_J = 0^{\circ}\text{C}$ to 85°C	-25		25	%
I_{PRECHG_RANGE}	Precharge current range		50		800	mA

Electrical Characteristics (continued)
 $V_{VBUS_UVLO_RISING} < V_{VBUS} < V_{VBUS_OV}$, $T_J = -40^{\circ}\text{C}$ to $+125^{\circ}\text{C}$, and $T_J = 25^{\circ}\text{C}$ for typical values (unless otherwise noted)

PARAMETER		TEST CONDITIONS	MIN	TYP	MAX	UNIT
I_{PRECHG_STEP}	Typical precharge current step			50		mA
I_{PRECHG_ACC}	Precharge current accuracy	$VBAT = 5.2\text{ V}$, $I_{PRECHG} = 200\text{ mA}$, $T_J = 25^{\circ}\text{C}$	170		237	mA
		$VBAT = 5.2\text{ V}$, $I_{PRECHG} = 200\text{ mA}$, $T_J = 0^{\circ}\text{C}$ to 85°C	150		245	mA
I_{TERM_RANGE}	Termination current range		50		800	mA
I_{TERM_STEP}	Typical termination current step			50		mA
I_{TERM_ACC}	Termination current accuracy	$ICHG = 1.5\text{ A}$, $I_{TERM} = 150\text{ mA}$, $T_J = 25^{\circ}\text{C}$	143		157	mA
		$ICHG = 1.5\text{ A}$, $I_{TERM} = 150\text{ mA}$, $T_J = 0^{\circ}\text{C}$ to 85°C	120		180	mA
		$ICHG = 1.5\text{ A}$, $I_{TERM} = 50\text{ mA}$, $T_J = 25^{\circ}\text{C}$	45		60	mA
		$ICHG = 1.5\text{ A}$, $I_{TERM} = 50\text{ mA}$, $T_J = 0^{\circ}\text{C}$ to 85°C	22		75	mA
$V_{CELL_SHORT_RISING}$	Short Battery Voltage rising threshold to start pre-charging	VCELL rising	2.05	2.2	2.35	V
$V_{CELL_SHORT_FALLING}$	Short Battery Voltage falling threshold to stop pre-charging	VCELL falling	1.85	2	2.15	V
I_{BAT_SHORT}	Low Battery Voltage trickle charging current	$V_{TOPCELL} < 2.2\text{ V}$, $V_{BOTCELL} < V_{REG} - V_{RCHG}$; Or $V_{BOTCELL} < 2.2\text{ V}$, $V_{TOPCELL} < V_{REG} - V_{RCHG}$		100		mA
$V_{CELL_LOWV_RISING}$	VCELL LOWV Rising threshold to start fast-charging	VCELL rising, $VBATLOW = 2.8\text{ V}$	2.65	2.8	2.95	V
		VCELL rising, $VBATLOWV = 3.0\text{ V}$	2.85	3	3.15	V
$V_{CELL_LOWV_FALLING}$	VCELL LOWV falling threshold to start fast-charging	VCELL falling, $VBATLOW = 2.8\text{ V}$	2.45	2.6	2.75	V
		VCELL falling, $VBATLOWV = 3.0\text{ V}$	2.65	2.8	2.95	V
V_{CELL_RECHG}	Recharge threshold below $V_{CELLREG}$	VCELL falling, $V_{CELL_RECHG}[1:0] = 01$		100		mV
R_{ON_QHS} (Q2)	High-side switching MOSFET on-resistance between SW and SNS (Q2)	$T_J = 25^{\circ}\text{C}$		32	35	$\text{m}\Omega$
		$T_J = -40^{\circ}\text{C}$ to 125°C		32	47	$\text{m}\Omega$
R_{ON_QLS} (Q3)	Low-side switching MOSFET on-resistance between SW and GND (Q3)	$T_J = 25^{\circ}\text{C}$		42	46	$\text{m}\Omega$
		$T_J = -40^{\circ}\text{C}$ to 125°C		42	63	$\text{m}\Omega$
I_{BAT_DISCHG}	BAT Discharge current source	$VBAT = 8\text{ V}$, $EN_BAT_DISCHG = 1$	8	11.5	16	mA
INPUT VOLTAGE / CURRENT REGULATION						
V_{INDPM_RANGE}	Input voltage regulation range		3.9		5.5	V
V_{INDPM_STEP}	Input voltage regulation step			100		mV
V_{INDPM}	Input voltage limit	$V_{INDPM} = 3.9\text{ V}$	3.783	3.9	4.017	V
		$V_{INDPM} = 4.4\text{ V}$	4.268	4.4	4.532	V
I_{INDPM_RANGE}	Input current regulation range		500		3300	mA
I_{INDPM_STEP}	Input current regulation step			100		mA
I_{INDPM_ACC}	Input current regulation limit	$I_{INDPM} = 500\text{ mA}$	438	469	500	mA
		$I_{INDPM} = 900\text{ mA}$	765	832	900	mA
		$I_{INDPM} = 2500\text{ mA}$	2125	2312	2500	mA
		$I_{INDPM} = 3000\text{ mA}$	2550	2775	3000	mA
K_{ILIM}	$I_{INMAX} = K_{ILIM}/R_{ILIM}$	Input Current regulation by ILIM pin		1110		$\text{A} \times \Omega$
I_{INDPM}	Input current regulation limit, $I_{INMAX} = K_{ILIM}/R_{ILIM}$	Input Current regulation by ILIM pin = 0.5A	457	505	553	mA
		Input Current regulation by ILIM pin = 0.9A	839	909	980	mA
		Input Current regulation by ILIM pin = 1.5A	1413	1518	1624	mA
R_{ON_QBLK} (Q1)	Blocking MOSFET on-resistance between VBUS and PMID (QBLK)	$T_J = 25^{\circ}\text{C}$		33	37	$\text{m}\Omega$
		$T_J = -40^{\circ}\text{C}$ to 125°C		33	51	$\text{m}\Omega$

Electrical Characteristics (continued)

 $V_{VBUS_UVLO_RISING} < V_{VBUS} < V_{VBUS_OV}$, $T_J = -40^{\circ}\text{C}$ to $+125^{\circ}\text{C}$, and $T_J = 25^{\circ}\text{C}$ for typical values (unless otherwise noted)

PARAMETER		TEST CONDITIONS	MIN	TYP	MAX	UNIT
THERMAL REGULATION AND THERMAL SHUTDOWN						
T_{REG}	Junction temperature regulation accuracy	$T_{REG} = 120^{\circ}\text{C}$		120		$^{\circ}\text{C}$
T_{SHUT_RISING}	Thermal Shutdown Rising threshold	Temperature Increasing		150		$^{\circ}\text{C}$
	Thermal Shutdown Falling threshold	Temperature Decreasing		120		$^{\circ}\text{C}$
JEITA THERMISTOR COMPARATOR (BOOST MODE)						
V_{T1}	TS pin voltage rising. T1 (0°C) threshold, Charge suspended below this temperature.	As Percentage to REGN	72.75	73.25	73.75	%
V_{T1_HYS}	TS pin voltage falling. Charge re-enabled to ICHG/2 and VREG above this temperature	As Percentage to REGN		1.3		%
V_{T2}	TS pin voltage rising. T2 (10°C) threshold, charge set to ICHG/2 and VREG below this temperature	As Percentage to REGN	67.75	68.25	68.75	%
V_{T2_HYS}	TS pin voltage falling. Charge set to ICHG and VREG above this temperature	As Percentage to REGN		1.2		%
V_{T3}	TS pin voltage falling. T3 (45°C) threshold, charge set to ICHG and 8.1 V above this temperature.	As Percentage to REGN	44.25	44.75	45.25	%
V_{T3_HYS}	TS pin voltage rising. Charge set to ICHG and VREG below this temperature	As Percentage to REGN		1		%
V_{T5}	TS pin voltage falling. T5 (60°C) threshold, charge suspended above this temperature.	As Percentage to REGN	33.875	34.375	34.875	%
V_{T5_HYS}	TS pin voltage rising. Charge set to ICHG and 8.1 V below this temperature	As Percentage to REGN		1.35		%
BOOST MODE CONVERTER						
F_{SW}	PWM switching frequency	Oscillator frequency	1.35	1.5	1.65	MHz
CELL BALANCING						
I_{CB_MAX}	Maximum recommended cell balancing current	$V_{CELL} = 4.2\text{V}$, $R_{CBSET} = 9.5\Omega$, $R_{DSON_QCBX} = 1\Omega$			400	mA
R_{DSON_QCBH}	MOSFET on resistance between BAT and MID	Cell balance enabled ($REG0x2A[0] = 1$); $V_{CELL_HS} > 3.7\text{V}$, $V_{CELL_HS} > V_{CELL_LS}$; $V_{BAT} - V_{MID} - V_{MID} > 80\text{mV}$, $ICB \leq 400\text{mA}$		1	1.2	Ω
R_{DSON_QCBL}	MOSFET on resistance between MID and GND	Cell balance enabled ($REG0x2A[0] = 1$); $V_{CELL_LS} > 3.7\text{V}$, $V_{CELL_LS} > V_{CELL_HS}$, $V_{MID} - (V_{BAT} - V_{MID}) > 80\text{mV}$, $ICB \leq 400\text{mA}$		1	1.2	Ω
V_{CBEN_RISING}	Cell balance function qualification threshold	Cell balance enabled rising threshold	3.65	3.7	3.75	V
V_{CBEN_HYS}	Cell balance function qualification hysteresis	Cell balance enabled falling hysteresis		200		mV
$V_{QUAL_TH_RANGE}$	Cell balance pre-qualification mode to qualification mode threshold range	Cell balance enabled ($REG0x2A[0]=1$); V_{CELL_LS} or $V_{CELL_HS}>3.7\text{V}$, increase the voltage delta between the two cells	40		180	mV
$V_{QUAL_TH_STEP}$	Cell balance pre-qualification mode to qualification mode threshold step size	Cell balance enabled ($REG0x2A[0]=1$); V_{CELL_LS} or $V_{CELL_HS}>3.7\text{V}$, increase the voltage delta between the two cells		10		mV
V_{QUAL_TH}	Cell balance pre-qualification mode to qualification mode threshold.	Cell balance enabled ($REG0x2A[0]=1$); V_{CELL_LS} or $V_{CELL_HS}>3.7\text{V}$, increase the voltage delta between the two cells		80		mV

Electrical Characteristics (continued)
 $V_{\text{VBUS_UVLO_RISING}} < V_{\text{VBUS}} < V_{\text{VBUS_OV}}$, $T_J = -40^{\circ}\text{C}$ to $+125^{\circ}\text{C}$, and $T_J = 25^{\circ}\text{C}$ for typical values (unless otherwise noted)

PARAMETER		TEST CONDITIONS	MIN	TYP	MAX	UNIT
$V_{\text{DIFF_START_RANGE}}$	Balance discharge start cell voltage difference threshold range	Cell balance enabled (REG0x2A[0] = 1); Difference between the two cells to turn on cell balancing MOSFET	40		190	mV
$V_{\text{DIFF_START_STEP}}$	Balance discharge start cell voltage difference threshold step size	Cell balance enabled (REG0x2A[0] = 1); Difference between the two cells to turn on cell balancing MOSFET		10		mV
$V_{\text{DIFF_START}}$	Balance discharge start cell voltage difference threshold	Cell balance enabled (REG0x2A[0] = 1); Difference between the two cells to turn on cell balancing MOSFET set to 120mV (REG0x29[3:0] = 1000)		120		mV
$V_{\text{DIFF_START}}$	Balance discharge start cell voltage difference threshold	Cell balance enabled (REG0x2A[0] = 1); Difference between the two cells to turn on cell balancing MOSFET set to 80mV (REG0x29[3:0] = 0100)		80		mV
$V_{\text{DIFF_END_RANGE}}$	Balance discharge stop cell voltage difference threshold range	Cell balance enabled (REG0x2A[0] = 1); Difference between the two cells to turn off cell balancing MOSFET	30		100	mV
$V_{\text{DIFF_END_STEP}}$	Balance discharge stop cell voltage difference threshold step size	Cell balance enabled (REG0x2A[0] = 1); Difference between the two cells to turn off cell balancing MOSFET		10		mV
$V_{\text{DIFF_END}}$	Balance discharge stop cell voltage difference threshold	Cell balance enabled (REG0x2A[0] = 1); Difference between the two cells to turn off cell balancing MOSFET set to (REG0x29[3:0] = 1000, REG0x28[7:5]=010)		70		mV
$V_{\text{DIFF_END}}$	Balance discharge stop cell voltage difference threshold	Cell balance enabled (REG0x28[7] = 1); Difference between the two cells to turn off cell balancing MOSFET set to 45mV (REG0x29[3:0] = 0100, REG0x28[7:5]=001)		40		mV
$V_{\text{CELL_OVP_RISING}}$	Cell over voltage rising threshold	VCELL rising, as percentage of VCELLREG	102.5	104	105	%
$V_{\text{CELL_OVP_FALLING}}$	Cell over voltage falling threshold	VCELL rising, as percentage of VCELLREG	100.8	102	103.3	%
$I_{\text{QCBX_OC}}$	Cell Balance MOSFET over-current protection	ICB > 500mA	400	500	600	mA
$I_{\text{MID_BIAS}}$	MID pin bias current	Voltage difference between the two battery cells \leq 400mV			15	μ A
REGN LDO						
V_{REGN}	REGN LDO output voltage	$V_{\text{VBUS}} = 5\text{ V}$, $I_{\text{REGN}} = 20\text{ mA}$	4.7	4.8	5.15	V
I_{REGN}	REGN LDO current limit	$V_{\text{VBUS}} = 5\text{ V}$, $V_{\text{REGN}} = 3.8\text{ V}$	50			mA
Analog-to-Digital Converter (ADC)						
$t_{\text{ADC_CONV}}$	Conversion time, each measurement	ADC_SAMPLE[1:0] = 11		24		ms
		ADC_SAMPLE[1:0] = 10		12		ms
		ADC_SAMPLE[1:0] = 01		6		ms
		ADC_SAMPLE[1:0] = 00		3		ms
ADCRES	Effective resolution	ADC_SAMPLE[1:0] = 11	14	15		bits
		ADC_SAMPLE[1:0] = 10	13	14		bits
		ADC_SAMPLE[1:0] = 01	12	13		bits
		ADC_SAMPLE[1:0] = 00	10	12		bits
ADC MEASUREMENT RANGES AND LSB						
$I_{\text{BUS_ADC_RANGE}}$	ADC BUS current range		0		4	A
$I_{\text{BUS_ADC_LSB}}$	ADC BUS current LSB			1		mA
$I_{\text{BAT_ADC_RANGE}}$	ADC BAT current range		0		4	A

Electrical Characteristics (continued)

 $V_{VBUS_UVLO_RISING} < V_{VBUS} < V_{VBUS_OV}$, $T_J = -40^{\circ}\text{C}$ to $+125^{\circ}\text{C}$, and $T_J = 25^{\circ}\text{C}$ for typical values (unless otherwise noted)

PARAMETER		TEST CONDITIONS	MIN	TYP	MAX	UNIT
$I_{BAT_ADC_LSB}$	ADC BAT current LSB			1		mA
$V_{BUS_ADC_RANGE}$	ADC BUS voltage range		0		6.5	V
$V_{BUS_ADC_LSB}$	ADC BUS voltage LSB			1		mV
$V_{BAT_ADC_RANGE}$	ADC BAT voltage range		0		10	V
$V_{BAT_ADC_LSB}$	ADC BAT voltage LSB			1		mV
$V_{CELLTOP_ADC_RANGE}$	ADC MID voltage range		0		5	V
$V_{CELLTOP_ADC_LSB}$	ADC MID voltage LSB			1		mV
$V_{CELLBOT_ADC_RANGE}$	ADC MID voltage range		0		5	V
$V_{CELLBOT_ADC_LSB}$	ADC MID voltage LSB			1		mV
$V_{TS_ADC_RANGE}$	ADC TS voltage range		20		80	%
$V_{TS_ADC_LSB}$	ADC TS voltage LSB			0.098		%
$V_{TDIE_ADC_RANGE}$	ADC Die temperature range		0		150	$^{\circ}\text{C}$
$V_{TDIE_ADC_LSB}$	ADC Die temperature LSB			0.5		$^{\circ}\text{C}$
I2C INTERFACE (SCL, SDA)						
V_{IH}	Input high threshold level, SDA and SCL	Pull-up rail 1.8 V	1.3			V
V_{IL}	Input low threshold level	Pull-up rail 1.8 V			0.4	V
V_{OL}	Output low threshold level	Sink current = 5 mA			0.4	V
I_{BIAS}	High level leakage current	Pull-up rail 1.8 V			1	μA
LOGIC I/O PIN (CD, PSEL)						
V_{IH_CD}	Input high threshold level, CD		1.3			V
V_{IL_CD}	Input low threshold level, CD				0.4	V
$I_{IN_BIAS_CD}$	High level leakage current, CD	Pull-up rail 1.8 V			2.5	μA
V_{IH_PSEL}	Input high threshold level, PSEL		1.3			V
V_{IL_PSEL}	Input low threshold level, PSEL				0.4	V
$I_{IN_BIAS_PSEL}$	High level leakage current, PSEL	Pull-up rail 1.8 V			1	μA
LOGIC O PIN (/INT, /PG, STAT)						
V_{OL}	Output low threshold level	Sink current = 5 mA			0.4	V
I_{OUT_BIAS}	High level leakage current	Pull-up rail 1.8 V			1	μA

7.6 Timing Requirements

PARAMETER		TEST CONDITIONS	MIN	NOM	MAX	UNIT
VBUS/BAT POWER UP						
t_{VBUS_OV}	VBUS OVP reaction time	VBUS rising above V_{VBUS_OV} threshold to converter turn off		200		ns
$t_{POORSRC}$	Bad adapter detection duration			30		ms
BATTERY CHARGER						
t_{TERM_DGL}	Deglintch time for charge termination	Charge current falling below I_{TERM}		250		ms
t_{RECGH_DGL}	Deglintch time for recharge threshold	BAT voltage falling below $V_{RECHG} = 100$ mV		250		ms
$t_{BAT_OVP_DGL}$	Deglintch time for battery over-voltage to disable charge			1		μs
t_{TOP_OFF}	Typical Top-Off Timer Accuracy	TOP_OFF_TIMER = 30 min	24	30	36	min
t_{SAFETY}	Charge Safety Timer Accuracy	CHG_TIMER = 12 hours	10.8	12	13.2	hr
I2C INTERFACE						
f_{SCL}	SCL clock frequency				1000	KHZ

Timing Requirements (continued)

PARAMETER		TEST CONDITIONS	MIN	NOM	MAX	UNIT
t_{SU_STA}	Data set-up time		10			ns
t_{HD_DAT}	Data hold time		0		70	ns
t_{rDA}	Rise time of SDA signal		10		80	ns
t_{fDA}	Fall time of SDA signal		10		80	ns
DIGITAL CLOCK AND WATCHDOG TIMER						
f_{LPDIG}	Digital low power clock	REGN LDO disabled	18	30	45	kHZ
f_{DIG}	Digital clock	REGN LDO enabled	1.35	1.5	1.65	MHz
t_{WDT}	Watchdog Reset time	WATCHDOG[1:0] = 160 s, REGN LDO disabled	100	160		sec
t_{WDT}	Watchdog Reset time	WATCHDOG[1:0] = 160 s, REGN LDO enabled	136	160		sec

7.7 Typical Characteristics

$C_{VBUS} = 1\mu\text{F}$, $C_{PMID} = 10\mu\text{F}$, $C_{SNS} = 44\mu\text{F}$, $C_{BAT} = 10\mu\text{F}$, $L = 1\mu\text{H}$ (DFE252012F-1R0) (unless otherwise specified)

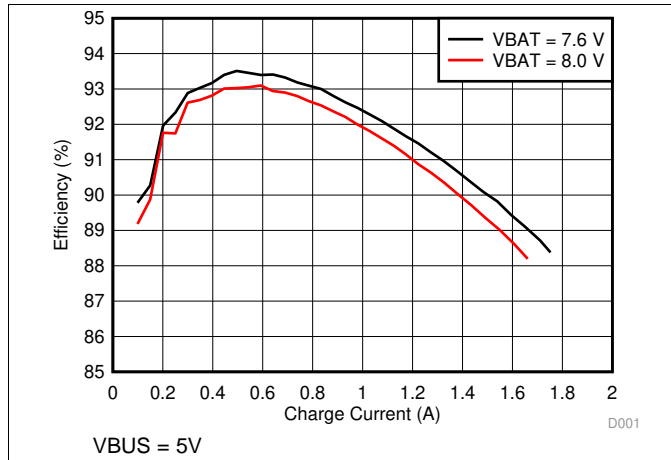


图 1. Charge Efficiency vs. Charge Current

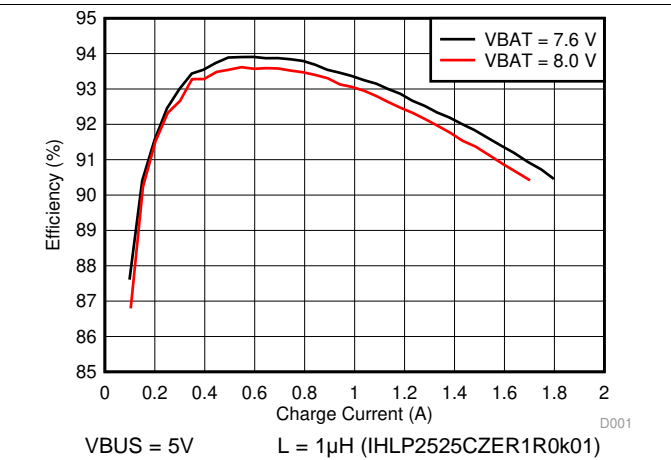


图 2. Charge Efficiency vs. Charge Current

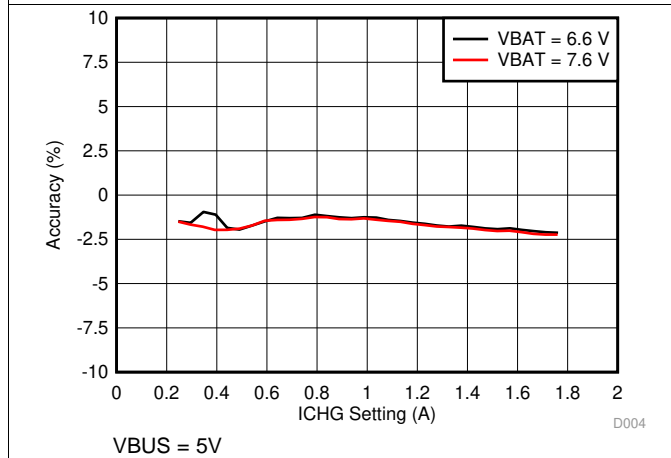


图 3. Charge Current Accuracy vs. ICHG Setting

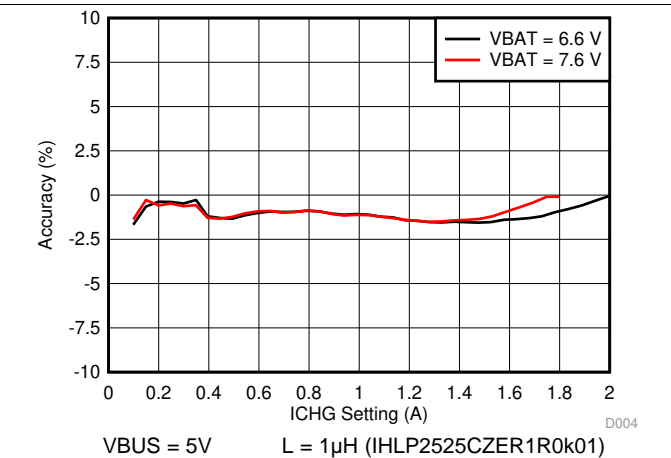


图 4. Charge Current Accuracy vs. ICHG Setting

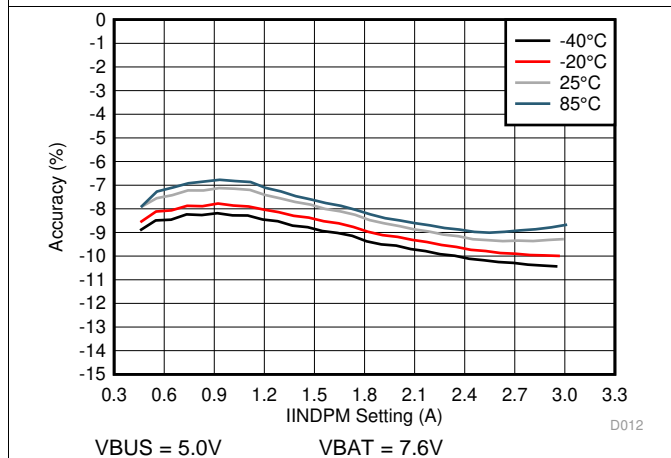


图 5. Input Current Limit Accuracy vs. IINDPM Setting

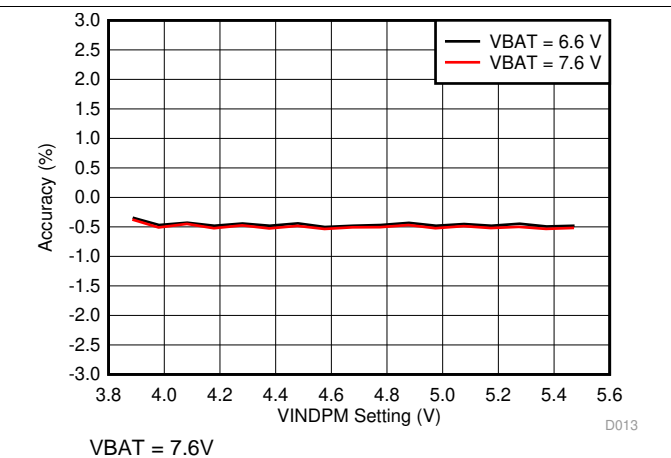
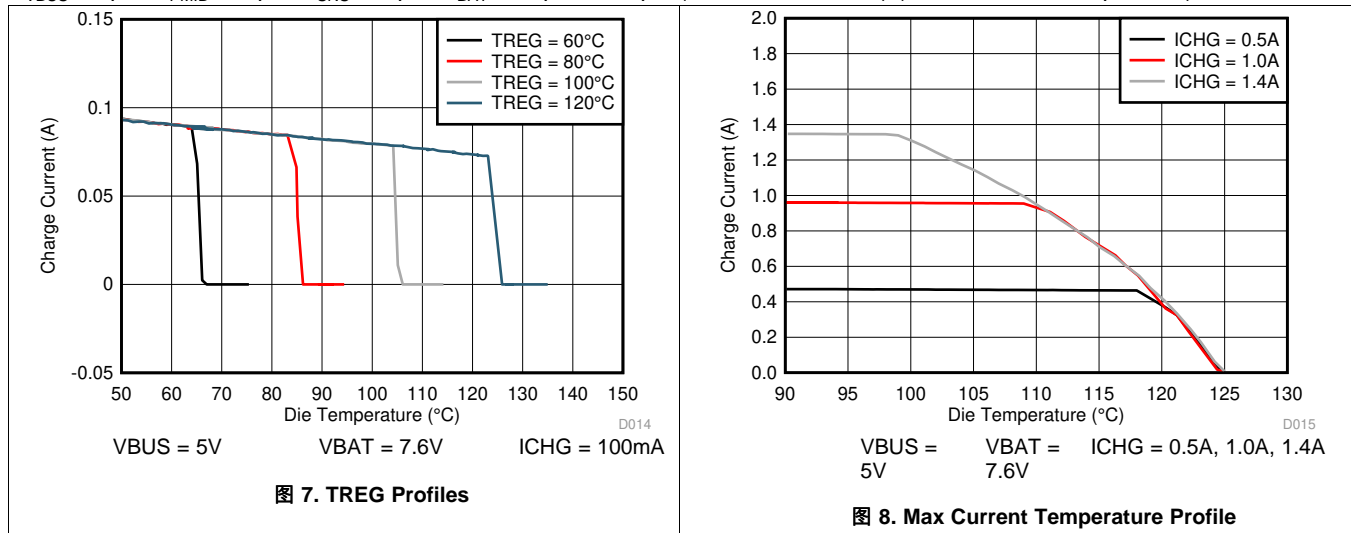


图 6. Input Voltage Limit Accuracy vs. VINDPM Setting

Typical Characteristics (接下页)

$C_{VBUS} = 1\mu F$, $C_{PMID} = 10\mu F$, $C_{SNS} = 44\mu F$, $C_{BAT} = 10\mu F$, $L = 1\mu H$ (DFE252012F-1R0) (unless otherwise specified)

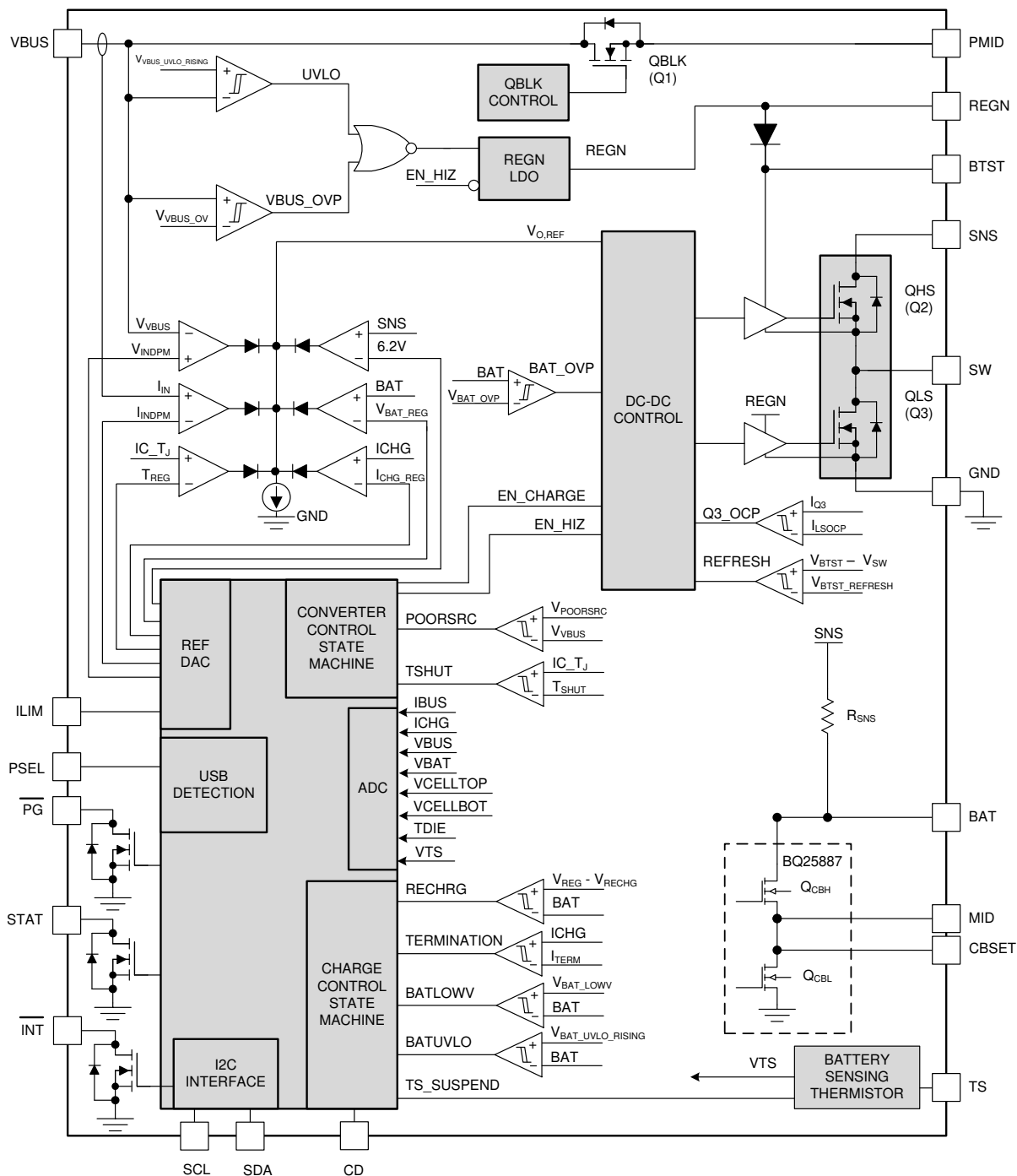


8 Detailed Description

8.1 Overview

The BQ25887 device is a highly integrated 2-A switch-mode battery charger for 2s Li-Ion and Li-Polymer battery. It integrates the input blocking FET (Q1, QBLK), high-side switching FET (Q2, QHS), and low-side switching FET (Q3, QLS). The device also integrates the boot-strap diode for high-side gate drive.

8.2 Functional Block Diagram



8.3 Feature Description

8.3.1 Device Power-On-Reset

The internal bias circuits are powered from either VBAT or VBUS when it rises above $V_{VBUS_UVLO_RISING}$ or $V_{BAT_UVLO_RISING}$. I2C interface is ready for communication and all the registers are reset to default value. The host can access all the registers after POR.

8.3.2 Device Power Up from Input Source

When an input source is plugged in, the device checks the input source voltage to turn on REGN LDO and all the bias circuits. It detects and sets the input current limit before the boost converter is started. The power up sequence from input source is as listed:

1. Poor Source Qualification
2. Input Source Type Detection based on PSEL to set default Input Current Limit (IINDPM) register and input source type
3. Power Up REGN LDO
4. Converter Power-up

8.3.2.1 Poor Source Qualification

After REGN LDO powers up, the device checks the current capability of the input source. The input source has to meet the following requirements in order to start the boost converter.

1. VBUS voltage below V_{VBUS_OVP}
2. VBUS voltage above $V_{POORSRC}$ when pulling $I_{POORSRC}$ (typical 15mA)

If V_{BUS_OVP} is detected (condition 1 above), the device automatically retries detection once the over-voltage fault goes away. If a poor source is detected (condition 2 above), the device repeats poor source qualification routine every 2 seconds. After 7 consecutive failures, the device sets $VBUS_STAT[2:0] = '0b100'$, $EN_HIZ = 1$, and goes to HIZ mode. On BQ25887 adapter re-plug-in and/or EN_HIZ bit toggle is required to restart device operation. The EN_HIZ bit is cleared automatically when the adapter is plugged in. If the fault is not removed, the part will enter HIZ mode again after the 7 consecutive failures.

8.3.2.2 Input Source Type Detection

After the PG_STAT bit is set and input source is qualified, the charger device runs input source type detection when $AUTO_INDET_EN$ bit is set.

The BQ25887 sets input current limit through PSEL pin. After input source type detection, the following registers and pins are changed:

1. Input Current Limit (IINDPM) register is changed to set current limit
2. Input Voltage Limit (VINDPM) register is changed to set default limit (if $EN_VINDPM_RST = 1$, otherwise VINDPM value remains unchanged)
3. $VBUS_STAT$ bits change to reflect the detected source
4. \overline{INT} pin pulses to notify the host
5. \overline{PG} pin is pulled LOW, and PG_STAT bit is set to '1'

After detection is completed, the host can over-write IINDPM or VINDPM registers to change the input current, or input voltage limit if needed. The charger input current is always limited by the lower of IINDPM register, ILIM pin, or Input Current Optimizer (ICO) setting when ICO is enabled.

When $AUTO_INDET_EN$ is disabled, the Input Source Type Detection is bypassed, and the Input Current Limit (IINDPM) register remains unchanged from previous value. When EN_VINDPM_RST is disabled, the Input Voltage Limit (VINDPM) register remains unchanged from previous value.

8.3.2.2.1 PSEL Sets Input Current Limit

The BQ25887 has PSEL pin for input current limit setting to interface with USB PHY. It directly takes the USB PHY device output to decide whether the input is USB host or charging port. PSEL HIGH sets the input current limit to 500 mA and PSEL LOW sets the input current limit to 3 A. Automatic start ICO is disabled when PSEL is HIGH. When no input source is connected, input current limit will not be updated by PSEL change.

Feature Description (接下页)

During default mode, after input source type detection is completed with an input source already plugged in, the PSEL pin is monitored. When the pin status changes, the input current limit is changed based on the pin status.

During host mode, after input source type detection is completed with an input source already plugged in, the PSEL pin is NOT monitored. The host needs to set the FORCE_INDET bit to 1 in order to read the PSEL value. After the detection is completed, the input current limit (IINDPM), and the VBUS_STAT bits can be changed due to the detection result.

8.3.2.2 Force Input Current Limit Detection

In host mode, the host can force the device to run Input Current Limit Detection by setting FORCE_INDET bit. After the detection is completed, FORCE_INDET bit returns to 0 by itself and input result is updated.

8.3.2.3 Power Up REGN Regulator (LDO)

The REGN LDO supplies internal bias circuits as well as the QHS and QLS gate drive. The LDO also provides bias rail to TS external resistors. The pull-up rail of STAT and PG can be connected to REGN as well. The REGN is enabled when all the below conditions are valid.

1. VBUS above $V_{VBUS_UVLO_RISING}$ in boost mode or VBUS below $V_{VBUS_UVLO_RISING}$ in buck mode
2. Poor Source Qualification detects a valid input source
3. Input Source Type Detection completes and sets appropriate input current limit
4. After 220-ms delay is complete

If one of the above conditions is not valid, the device is in high impedance mode (HIZ) with REGN LDO off. The device draws less than I_{VBUS_HIZ} from VBUS during HIZ state. The battery powers up the system when the device is in HIZ.

8.3.2.4 Converter Power Up

After the input current limit is set, the \overline{PG} pin is pulled LOW, the PG_STAT and VBUS_STAT bits are changed, and the converter is enabled, allowing the QHS and QLS to start switching. Before charging begins, the battery discharge source (IBAT_DISCHG) is enabled automatically to detect the presence of battery. The host can enable IBAT_DISCHG via the EN_BAT_DISCHG bit at any point during operation, including in Battery Only or HIZ modes. The device provides soft-start when converter output voltage is ramped up.

As a battery charger, the device deploys a highly efficient 1.5-MHz boost switching regulator. The fixed frequency oscillator keeps tight control of the switching frequency under all conditions of input voltage, battery voltage, charge current and temperature, simplifying output filter design.

In order to improve light-load efficiency, the device switches to PFM (Pulse Frequency Modulation) control at light load when battery is below 6.4V or charging is disabled. During the PFM operation, the switching duty cycle is set by the ratio of SNS and VBUS.

8.3.3 Input Current Optimizer (ICO)

The device provides innovative Input Current Optimizer (ICO) to identify maximum power point without overloading the input source. The algorithm automatically identifies maximum input current limit of a power source without staying in VINDPM to avoid input source overload.

On BQ25887, this feature is enabled by default ($EN_ICO = 1$) and can be disabled by setting EN_ICO bit to 0. After DCP type input source is detected based on the procedures describe above (Input Source Type Detection). The algorithm runs automatically when EN_ICO bit is set. The algorithm can also be forced to execute by setting FORCE_ICO bit regardless of input source type detected .

Feature Description (接下页)
表 1. Input Current Optimizer Automatic Operation

DEVICE	INPUT SOURCE	INPUT CURRENT LIMIT (IINDPM)	AUTOMATIC START ICO ALGORITHM
BQ25887	PSEL = HI	500 mA	Disable
	PSEL = LOW	3.0 A	Enable

The actual input current limit used by the Dynamic Power Management is reported in ICO_ILIM register while Input Current Optimizer is enabled (EN_ICO = 1) or set by IINDPM register when the algorithm is disabled (EN_ICO = 0). In addition, the current limit is clamped by ILIM pin unless EN_ILIM bit is 0 to disable ILIM pin function.

When the algorithm is enabled, it runs continuously to adjust input current limit of Dynamic Power Management (IINDPM) using ICO_ILIM register until ICO_STAT[1:0] and ICO_FLAG bits are set (the ICO_FLAG bit indicates any change in ICO_STAT[1:0] bits). The algorithm operates depending on battery voltage:

1. When voltage at BAT pin is below 6.2 V, the algorithm starts ICO_ILIM register with IINDPM which is the maximum input current limit allowed by system
2. When voltage at BAT is above 6.2 V, the algorithm starts ICO_ILIM register with 500mA which is the minimum input current limit to minimize adapter overload

When optimal input current is identified, the ICO_STAT[1:0] and ICO_FLAG bits are set to indicate input current limit in ICO_ILIM register would not be changed until the algorithm is forced to run by the following event (these events also reset the ICO_STAT[1:0] bits to '01'):

1. A new input source is plugged-in, or EN_HIZ bit is toggled
2. IINDPM register is changed
3. VINDPM register is changed
4. FORCE_ICO bit is set to 1
5. VBUS_OVP event

8.3.4 Battery Charging Management

The BQ25887 charges 2-cell Li-Ion battery with up to 2.2-A charge current for high capacity battery.

8.3.4.1 Autonomous Charging Cycle

When battery charging is enabled (EN_CHG = 1 and CD pin is LOW;), the device autonomously completes a charging cycle without host involvement. The device default charging parameters are listed in 表 2 below. On BQ25887, the host can always control the charging operation and optimize the charging parameters by writing to the corresponding registers through I²C.

表 2. Charging Parameter Default Settings

DEFAULT MODE	BQ25887
Charging Voltage	4.2V/Cell
Charging Current	1.50 A
Pre-Charge Current	150 mA
Termination Current	150 mA
Temperature Profile	JEITA
Safety Timer	12 hours
Topoff Timer	Disabled

A new charge cycle starts when the following conditions are valid:

1. Converter starts
2. Battery charging is enabled by I²C register bit (EN_CHG = 1 and CD pin is LOW and ICHG register is not 0 mA)
3. No thermistor fault on TS
4. No safety timer fault

The charger automatically terminates the charging cycle when the charging current is below termination threshold, charge voltage is above recharge threshold, and device is not in DPM mode or thermal regulation. When a full battery voltage is discharged below recharge threshold (threshold selectable via VCELL_RECHG[1:0] bits on BQ25887), the device automatically starts a new charging cycle. After the charge is done, toggle CD pin or EN_CHG bit can initiate a new charging cycle.

The STAT output indicates the charging status of: charging (LOW), charging complete or charge disable (HIGH) or charging fault (Blinking). If no battery is connected, the STAT pin blinks as capacitance connected at BAT charges, discharges, then recharges. The STAT output can be disabled by setting STAT_DIS bit. In addition, the status register (CHRG_STAT) indicates the different charging phases as:

- 000 – Not Charging
- 001 – Trickle Charge ($V_{BAT} < V_{BAT_SHORT}$)
- 010 – Pre-charge ($V_{BAT_SHORT} < V_{BAT} < V_{BAT_LOWV}$)
- 011 – Fast-charge (CC mode)
- 100 – Taper Charge (CV mode)
- 101 – Top-off Timer Charging
- 110 – Charge Termination Done

When the charger transitions to any of these states, including when charge cycle is completed, an \overline{INT} is asserted to notify the host.

8.3.4.2 Battery Charging Profile

The device charges the battery in five phases: trickle charge, pre-charge, constant current, constant voltage, and top-off timer charging (optional). At the beginning of a charging cycle, the device checks the battery voltage and regulates current/voltage accordingly.

表 3. Default Charging Current Setting

VBAT	CHARGING CURRENT	REGISTER DEFAULT SETTING	CHRG_STAT
$< V_{CELL_SHORT}$	I_{BAT_SHORT}	100 mA	001
$V_{CELL_SHORT} - V_{CELL_LOWV}$	I_{PRECHG}	150 mA	010
$> V_{CELL_LOWV}$	I_{CHG}	1500 mA	011

If the charger device is in DPM regulation or thermal regulation during charging, the actual charging current will be less than the programmed value. In this case, termination is temporarily disabled and the charging safety timer is counted at half the clock rate, as explained in the [Charging Safety Timer](#) section.

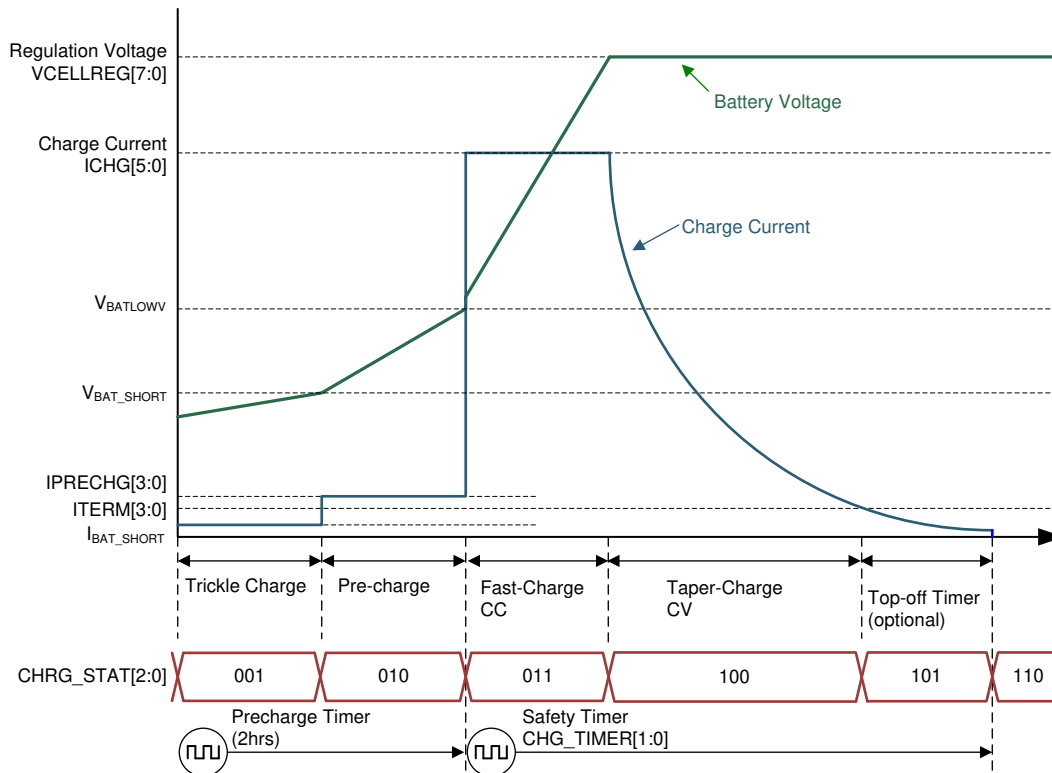


图 9. Battery Charging Profile

8.3.4.3 Cell Balancing During Charging

Some applications require cell balancing when the user can replace one or both of the cells in the 2S1P configuration. When charging two batteries with different voltages, cell balancing is required, as the cell with the higher voltage is at risk of being overcharged. For extremely unbalanced cells, charging the lower voltage cell as well as fast cell balancing is desired.

The BQ25887 implements a passive cell balancing scheme with a recommended maximum discharge current of 400 mA. Balancing current is limited by external resistors placed between the CBSET pin and the mid-point of the two cells. Low side cell voltage is sensed at MID pin. Cell balancing can be enabled in the I2C registers.

The Cell Balancing current limit resistor, R_{CBSET} , can be calculated as below.

$$I_{CB_LIM} = V_{CELLREG} / (R_{CBSET} + R_{DSON_QCBX})$$

For example, the maximum recommended cell balancing current is 400 mA. For 4.2-V battery cell, R_{CBSET} can be calculated as 9.5 Ω (typical).

Cell balancing status register, CB_STAT, HS_CV_STAT and LS_CV_STAT is active in both automatic cell balancing mode and manual cell balancing mode.

The default setting of the cell balancing parameters are below.

表 4. Cell Balancing Default Setting

PARAMETER	REGISTER	DEFAULT VALUE
Enable Auto Cell Balancing Mode (CB_AUTO_EN)	REG0x2A [6]	1 = Enable

表 4. Cell Balancing Default Setting (接下页)

PARAMETER	REGISTER	DEFAULT VALUE
Disable Charge for Accurate Cell Balancing Measurement (CB_CHG_DIS)	REG0x2A [7]	1 = Charge Disable for Cell Balancing Voltage Measurement
Voltage Threshold Enter Cell Balancing Qualification Mode from Pre-Qualification Mode (VQUAL_TH)	REG0x29h [7:4]	1111 = Disable Pre-Qualification Mode
Voltage Threshold Enter Cell Balancing Active Mode from Qualification Mode (VDIFF_START)	REG0x29h [3:0]	0100 = 80 mV
Voltage Threshold Exit Cell Balancing Offset from VDIFF_START (VDIFF_END_OFFSET)	REG0x28 [7:5]	001 = 40 mV
Time Interval between Taking Measurements in Pre-Qualification Mode (TCB_QUAL_INTERVAL)	REG0x0x28 [4]	0 = 2 min
Time Interval between Taking Measurements in Cell Balancing Active Mode (TCB_ACTIVE)	REG0x28 [3:2]	10 = 2 min
Time Delay between Charge Disable and Cell Voltage Measurement (TSETTLE)	REG0x28 [1]	10 = 1 sec

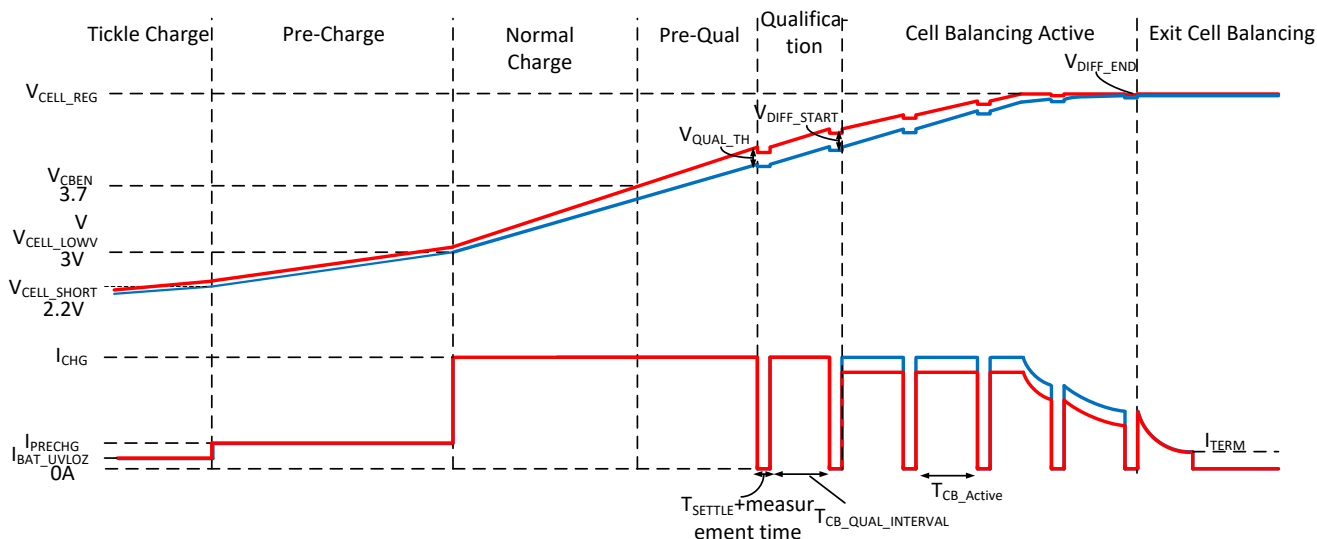


图 10. Cell Balancing Timing Diagram

8.3.4.4 Charging Termination

The device terminates a charge cycle when the battery voltage is above recharge threshold, and the current is below termination current.

When termination occurs, the STAT pin goes HIGH (charge current will continue to taper if top-off timer is enabled), status register CHRГ_STAT is set to 110, and an INT pulse is asserted to the host. Termination is temporarily disabled when the charger device is in input current, voltage or thermal regulation. Termination can be permanently disabled by writing 0 to EN_TERM bit prior to charge termination.

At low termination currents (50 mA - 100 mA), due to the comparator offset, the actual termination current may be up to 20% higher than the termination target. In order to compensate for comparator offset, a programmable top-off timer (default disabled) can be applied after termination is detected. The top-off timer will follow safety timer constraints, such that if safety timer is suspended, so will the top-off timer. Similarly, if safety timer is doubled, so will the top-off timer. CHRГ_STAT reports whether the top off timer is active via the 101 code. Once the Top-Off timer expires, the CHRГ_STAT register is set to 110 and an INT pulse is asserted to the host.

Top-off timer gets reset (set to 0 and counting resumes when appropriate) for any of the following conditions:

1. Charge disable to enable

2. Termination status low to high
3. REG_RST register bit is set (disables top-off timer)

The top-off timer settings are read in once termination is detected by the charger. Programming a top-off timer value after termination will have no effect unless a recharge cycle is initiated. An \overline{INT} is asserted to the host when entering top-off timer segment as well as when top-off timer expires. All charge cycle related \overline{INT} pulses (including top-off timer \overline{INT} pulses) can be masked by CHRG_MASK bit.

8.3.4.5 Thermistor Qualification

The charger device provides a single thermistor input for battery temperature monitor.

8.3.4.5.1 JEITA Guideline Compliance in Charge Mode

To improve the safety of charging Li-ion batteries, JEITA guideline was released on April 20, 2007. The guideline emphasized the importance of avoiding a high charge current and high charge voltage at certain low and high temperature ranges.

To initiate a charge cycle, the voltage on TS pin must be within the VT1 to VT5 thresholds. If TS voltage exceeds the T1-T5 range, the controller suspends charging and waits until the battery temperature is within the T1 to T5 range. At cool temperature (T1-T2), JEITA recommends the charge current to be reduced to half of the charge current or lower. At warm temperature (T3-T5), JEITA recommends charge voltage less than 4.1 V / cell.

On BQ25887, the charger provides flexible voltage/current settings beyond JEITA requirement. The Voltage setting at warm temperature (T3-T5) can be VCELLREG, 4.0 V, 4.15 V, or charge suspended (configured by JEITA_VSET [1:0]). The fast charge current setting at warm temperature (T3-T5) can be 100%, or 40% of fast charge current, ICHG (configured by JEITA_ISETH). The fast charge current setting at cool temperature (T1-T2) can be 100%, 40%, or 20% of fast charge current, ICHG, or charge suspend (configured by JEITA_ISETC[1:0]). Whenever the charger detects "warm" or "cool" temperature, termination is automatically disabled regardless of JEITA_VSET, JEITA_ISETH and JEITA_ISETC register bit settings.

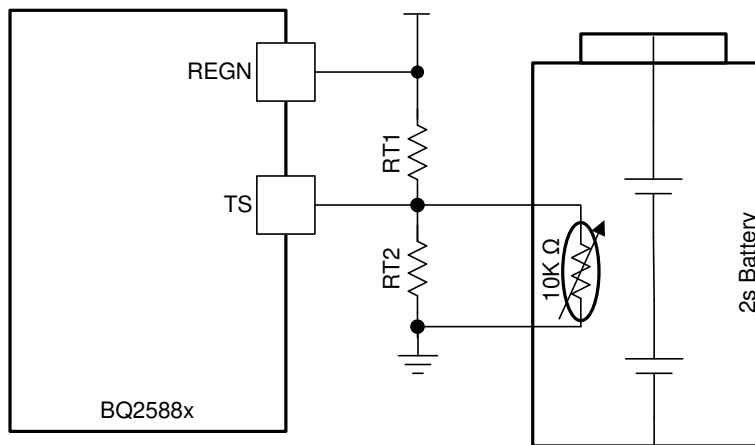


图 11. TS Resistor Network

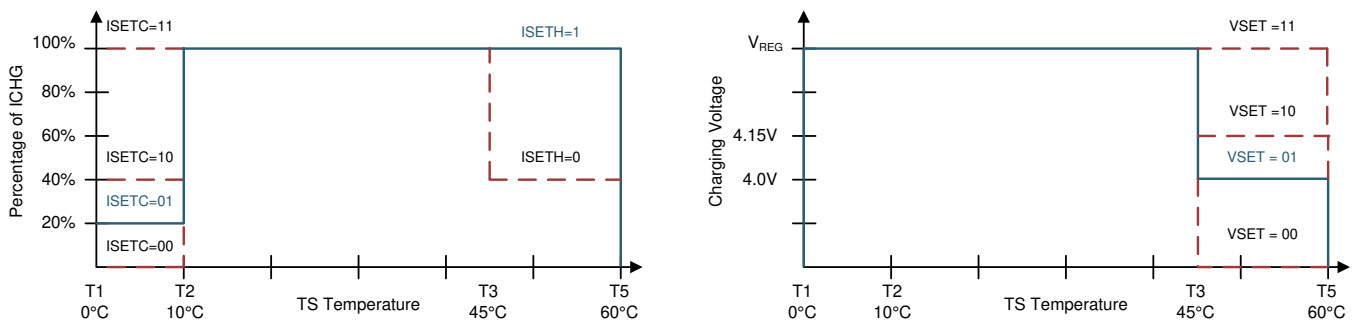


图 12. TS Charging Values

Assuming a 103AT NTC (Negative Temperature Coefficient) thermistor on the battery pack as shown above, the value of RT1 and RT2 can be determined by:

$$RT2 = \frac{R_{NTC,T1} \times R_{NTC,T5} \times \left(\frac{1}{V_{T5}} - \frac{1}{V_{T1}} \right)}{R_{NTC,T1} \times \left(\frac{1}{V_{T1}} - 1 \right) - R_{NTC,T5} \times \left(\frac{1}{V_{T5}} - 1 \right)} \quad (1)$$

$$RT1 = \frac{\frac{1}{V_{T1}} - 1}{\frac{1}{R_{T2}} + \frac{1}{R_{NTC,T1}}} \quad (2)$$

Select 0°C to 60°C range for Li-ion or Li-polymer battery:

$$R_{NTC,T1} = 27.28 \text{ k}\Omega$$

$$R_{NTC,T5} = 3.02 \text{ k}\Omega$$

$$RT1 = 5.24 \text{ k}\Omega$$

$$RT2 = 30.31 \text{ k}\Omega$$

8.3.4.6 Charging Safety Timer

The device has built-in safety timer to prevent extended charging cycle due to abnormal battery conditions. The user can program fast charge safety timer through I²C (CHG_TIMER bits). When safety timer expires, the fault register TMR_STAT bit is set to 1, and an INT pulse is asserted to the host. The safety timer feature can be disabled by clearing EN_TIMER bit.

During input voltage, current or thermal regulation or cell balancing active mode (cell balancing discharging), the safety timer counts at half clock rate as the actual charge current is likely to be below the register setting. For example, if the charger is in input current regulation (IINDPM_STAT=1) throughout the whole charging cycle, and the safety timer is set to 12 hours, then the timer will expire in 24 hours. This half clock rate feature can be disabled by setting TMR2X_EN = 0. Changing the TMR2X_EN bit while the device is running has no effect on the safety timer count, other than forcing the timer to count at half the rate under the conditions dictated above.

During faults which disable charging, or supplement mode, timer is suspended. Since the timer is not counting in this state, the TMR2X_EN bit has no effect. Once the fault goes away, safety timer resumes. If the charging cycle is stopped and started again, the timer gets reset.

The safety timer is reset for the following events:

1. Charging cycle stop and restart (toggle CD pin, EN_CHG bit, or charged battery falls below recharge threshold).
2. BAT voltage changes from pre-charge to fast-charge or vice versa (in host-mode or default mode).

The precharge safety timer (fixed 2hr counter that runs when VBAT < V_{BAT_LOWV}), follows the same rules as the fast-charge safety timer in terms of getting suspended, reset, and counting at half-rate when TMR2X_EN is set.

8.3.5 Integrated 16-Bit ADC for Monitoring

The device includes a 16-bit ADC to monitor critical system information based on the device's modes of operation. The control of the ADC is done through the [ADC Control Register \(Address = 15h\) \[reset = 30h\]](#). The ADC_EN bit provides the ability to enable and disable the ADC to conserve power. The ADC_RATE bit allows continuous conversion or one-shot behavior. After a one-shot conversion finishes, the ADC_EN bit is cleared, and must be re-asserted to start a new conversion.

To enable the ADC, the ADC_EN bit must be set to '1'. The ADC is allowed to operate if either the V_{VBUS} > V_{VBUS_UVLO_RISING} or V_{BAT} > V_{BAT_UVLO_RISING} is valid. If no adapter is present, and the VBAT is less than V_{BAT_UVLO_RISING}, the device will not perform an ADC measurement, nor update the ADC read-back values in REG17 through REG24. Additionally, the device will immediately reset ADC_EN bit without sending any interrupt. The same will happen if the ADC is enabled when all ADC channels are disabled. It is recommended to read

back ADC_EN after setting it to '1' to ensure ADC is running a conversion. If the charger changes mode (for example, if adapter is connected, EN_HIZ goes to '1', or CD goes high,) while an ADC conversion is running, the conversion is interrupted. Once the mode change is complete, the ADC resumes conversion, starting with the channel where it was interrupted. When device is in HIZ mode, ADC conversion can still be enabled through I²C. In HIZ mode, device power up internally to start ADC conversion and turn back down when ADC conversion is completed.

When TS_ADC conversion performs in battery only mode, the REGN is powered and extra battery current would be drawn. Battery current can be kept low by disabling the TS_ADC conversion in battery only mode.

The integrated ADC has two rate conversion options: a one-shot mode and a continuous conversion mode set by the ADC_RATE bit. By default, all ADC parameters will be converted in one-shot or continuous conversion mode unless disabled in the *ADC Function Disable Register (Address = 16h) [reset = 00h]*. If an ADC parameter is disabled by setting the corresponding bit in REG16, then the read-back value in the corresponding register will be from the last valid ADC conversion or the default POR value (all zeros if no conversions have taken place). If an ADC parameter is disabled in the middle of an ADC measurement cycle, the device will finish the conversion of that parameter, but will not convert the parameter starting the next conversion cycle. Even though no conversion takes place when all ADC measurement parameters are disabled, the ADC circuitry is active and ready to begin conversion as soon as one of the bits in the ADC Function Disable register is set to '0'. If all channels are disabled in one-shot conversion mode, the ADC_EN bit is cleared.

The ADC_DONE_STAT and ADC_DONE_FLAG bits signal when a conversion is completed in one-shot mode only. This event produces an INT pulse, which can be masked with ADC_DONE_MASK. During continuous conversion mode, the ADC_DONE_STAT bit has no meaning and will be '0'. The ADC_DONE_FLAG bit will remain unchanged in continuous conversion mode.

ADC conversion operates independently of the faults present in the device. ADC conversion will continue even after a fault has occurred (such as one that causes the power stage to be disabled), and the host must set ADC_EN = '0' to disable the ADC. ADC conversion is interrupted upon adapter plug-in, and will only resume until after Input Source Type Detection is complete. ADC readings are only valid for DC states and not for transients. When host writes ADC_EN = 0, the ADC stops immediately, and ADC measurement values correspond to last valid ADC reading.

A recommended method to exit ADC conversion is described below:

1. Write ADC_RATE to one-shot, and the ADC will stop at the end of a complete cycle of conversions, or
2. Disable all ADC conversion channels, and the ADC will stop at the end of the current measurement.

8.3.6 Status Outputs

8.3.6.1 Power Good Indicator (\overline{PG})

The PG_STAT bit goes HIGH and open drain \overline{PG} pin goes low to indicate a good input source when:

1. VBUS above $V_{VBUS_UVLO_RISING}$
2. VBUS below V_{VBUS_OV} threshold
3. VBUS above $V_{POORSRC}$ (typ. 3.7 V) when $I_{POORSRC}$ (typ. 30 mA) current is applied (not a poor source)
4. Input Source Type Detection is completed
5. CD pin is LOW

8.3.6.2 Charging Status Indicator (STAT)

The device indicates charging state on the open drain STAT pin. The STAT pin can drive LED. The STAT pin function can be disabled via the STAT_DIS bit. When CD is high, the device is in HIZ mode and STAT will not reflect charging state.

表 5. STAT Pin State

CHARGING STATE	STAT INDICATOR
Charging in progress (including trickle charge, pre-charge, fast-charge, recharge)	LOW
Charging complete (including top-off)	HIGH
Sleep mode, charge disable	HIGH

表 5. STAT Pin State (接下页)

CHARGING STATE	STAT INDICATOR
Charge suspend (Input over-voltage, TS fault, timer fault or battery over-voltage)	Blinking at 1Hz

8.3.6.3 Interrupt to Host

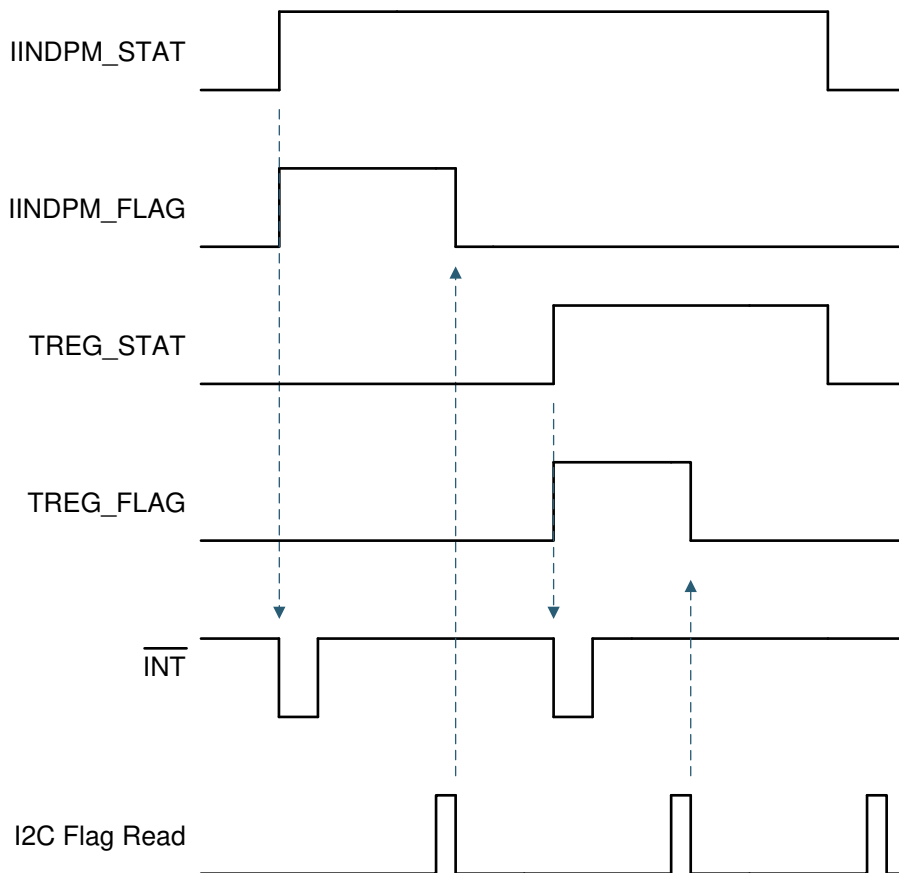
In some applications, the host does not always monitor the charger operation. The $\overline{\text{INT}}$ pin notifies the system host on the device operation. By default, the following events will generate an active-low, 256- μs $\overline{\text{INT}}$ pulse.

1. Good input source detected
 - $V_{\text{VBUS}} < V_{\text{VBUS_OV}}$ threshold
 - $V_{\text{VBUS}} > V_{\text{POORSRC}}$ (typ. 3.7 V) when I_{POORSRC} (typ. 30 mA) current is applied (not a poor source)
2. VBUS_STAT changes state (VBUS_STAT any bit change)
3. Good input source removed
4. Entering IINDPM regulation
5. Entering VINDPM regulation
6. Entering IC junction temperature regulation (TREG)
7. I2C Watchdog timer expired
 - At initial power up, this $\overline{\text{INT}}$ gets asserted to signal I²C is ready for communication
8. Charger status changes state (CHRG_STAT value change), including Charge Complete
9. TS_STAT changes state (TS_STAT any bit change)
10. VBUS over-voltage detected (VBUS_OVP)
11. Junction temperature shutdown (TSHUT)
12. Cell over-voltage detected (CELLOVP)
13. Cell over-voltage detected (HS_OV or LS_OV)
14. Charge safety timer expired
15. A rising edge on any of the *_STAT bits

Each one of these $\overline{\text{INT}}$ sources can be masked off to prevent $\overline{\text{INT}}$ pulses from being sent out when they occur. Three bits exist for each one of these events:

- The STAT bit holds the *current status* of each $\overline{\text{INT}}$ source
- The FLAG bit holds information on which source produced an $\overline{\text{INT}}$, regardless of the current status
- The MASK bit is used to prevent the device from sending out $\overline{\text{INT}}$ for each particular event

When one of the above conditions occurs (a rising edge on any of the *_STAT bits), the device sends out an $\overline{\text{INT}}$ pulse and keeps track of which source generated the $\overline{\text{INT}}$ via the FLAG registers. The FLAG register bits are automatically reset to zero after the host reads them, and a new edge on STAT bit is required to re-assert the FLAG.


图 13. INT Generation Behavior Example

8.3.7 Input Current Limit on ILIM Pin

For safe operation, the BQ2588x has an additional hardware pin on ILIM to limit maximum input current. The maximum input current is set by a resistor from ILIM pin to ground as:

$$I_{INMAX} = \frac{K_{ILIM}}{R_{ILIM}} \quad (3)$$

The actual input current limit is the lower value between ILIM pin setting and register setting (IINDPM). For example, if the register setting is 3.3 A (0x1C), and ILIM has a 820-Ω resistor ($K_{ILIM} = 1276$ max) to ground for 1.55 A, the input current limit is 1.55 A. ILIM pin can be used to set the input current limit rather than the register settings when EN_ILIM bit is set. The device regulates ILIM pin at 0.8 V. If ILIM voltage exceeds 0.8 V, the device enters input current regulation (refer to section). Entering IINDPM through ILIM pin sets the IINDPM_STAT and FLAG bits, and produces an interrupt to host. The interrupt can be masked via the IINDPM_MASK bit.

The ILIM pin can also be used to monitor input current when EN_ILIM is set. The voltage on ILIM pin is proportional to the input current. ILIM can be used to monitor input current with the following relationship:

$$I_{IN} = \frac{K_{ILIM} \times V_{ILIM}}{R_{ILIM} \times 0.8V} \quad (4)$$

For example, if ILIM pin is set with 820-Ω resistor, and the ILIM voltage 0.5V, the actual input current is 0.795 A to 0.973 A. If ILIM pin is open, the input current is limited to zero since ILIM voltage floats above 0.8 V. If ILIM pin is shorted, the input current limit is set by the register.

The ILIM pin function can be disabled by setting the EN_ILIM bit to 0. When the pin is disabled, both input current limit function and monitoring function are not available.

8.3.8 Voltage and Current Monitoring

The device closely monitors the input voltage, as well as internal FET currents for safe boost and buck mode operation.

8.3.8.1 Voltage and Current Monitoring in Boost Mode

8.3.8.1.1 Input Over-Voltage Protection

The valid input voltage range for boost mode operation is V_{VBUS_OP} . If VBUS voltage exceeds V_{VBUS_OV} , the device stops switching immediately to protect the power FETs. During input over-voltage, an \overline{INT} pulse is asserted to signal the host, and the `VBUS_OVP_STAT` and `VBUS_OVP_FLAG` fault registers get set. The device automatically starts switching again when the over-voltage condition goes away.

8.3.8.1.2 Input Under-Voltage Protection

The valid input voltage range for boost mode operation is V_{VBUS_OP} . If VBUS voltage falls below V_{POOR_SRC} during operation, the device stops switching. During input under-voltage, an \overline{INT} pulse is asserted to signal the host, and the `PG_STAT` bit gets cleared. The `PG_FLAG` bit will get set to signal this event. The device automatically attempts to restart switching when the under-voltage condition goes away.

8.3.9 Thermal Regulation and Thermal Shutdown

8.3.9.1 Thermal Protection in Boost Mode

The device monitors internal junction temperature, T_J , to avoid overheating and limits the IC surface temperature in boost mode. When the internal junction temperature exceeds the preset thermal regulation limit (TREG bits), the device reduces charge current. A wide thermal regulation range from 60°C to 120°C allows optimization for the system thermal performance.

During thermal regulation, the actual charging current is usually below the programmed value in `ICHG` registers. Therefore, termination is disabled, the safety timer runs at half the clock rate, the status register `TREG_STAT` bit goes high, and an \overline{INT} is asserted to the host.

Additionally, the device has thermal shutdown to turn off the converter when `IC` surface temperature exceeds T_{SHUT} . The fault register bits `TSHUT_STAT` and `TSHUT_FLAG` are set and an \overline{INT} pulse is asserted to the host. The converter turns back on when IC temperature is below T_{SHUT_HYS} .

8.3.10 Battery Protection

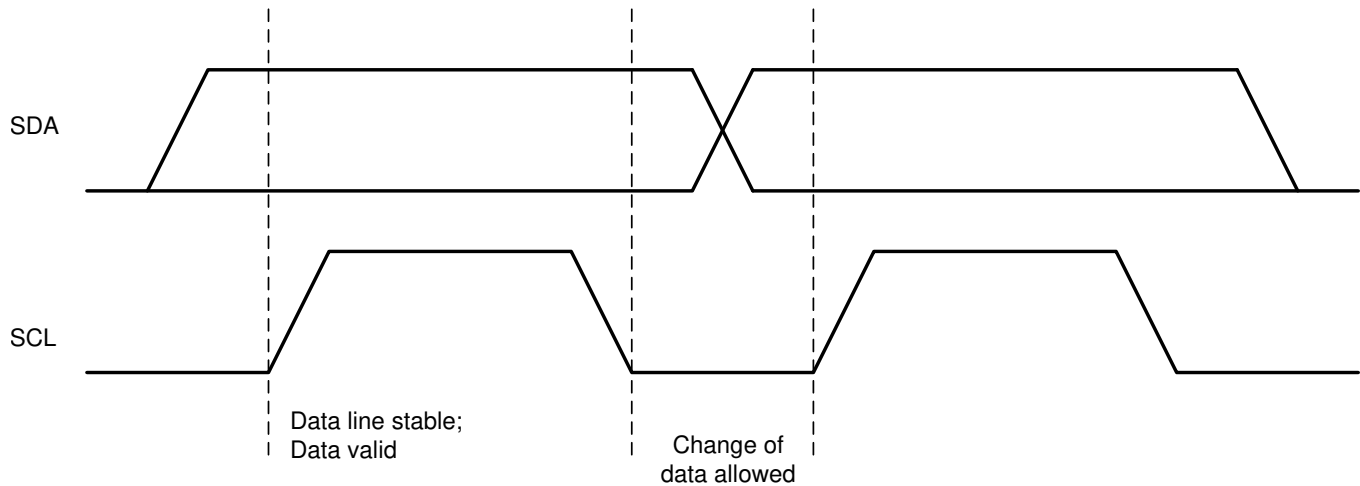
8.3.11 Serial Interface

The device uses I²C compatible interface for flexible charging parameter programming and instantaneous device status reporting. I²C is a bi-directional 2-wire serial interface. Only two open-drain bus lines are required: a serial data line (SDA), and a serial clock line (SCL). Devices can be considered as masters or slaves when performing data transfers. A master is a device which initiates a data transfer on the bus and generates the clock signals to permit that transfer. At that time, any device addressed is considered a slave.

The device operates as a slave device with address 0x6A, receiving control inputs from the master device like micro-controller or digital signal processor through `REG00` – `REG2C`. Register read beyond `REG2C` (0x2C), returns 0xFF. The I²C interface supports both standard mode (up to 100kbits/s), and fast mode (up to 400 kbits/s). When the bus is free, both lines are HIGH. The SDA and SCL pins are open drain and must be connected to the positive supply voltage via a current source or pull-up resistor.

8.3.11.1 Data Validity

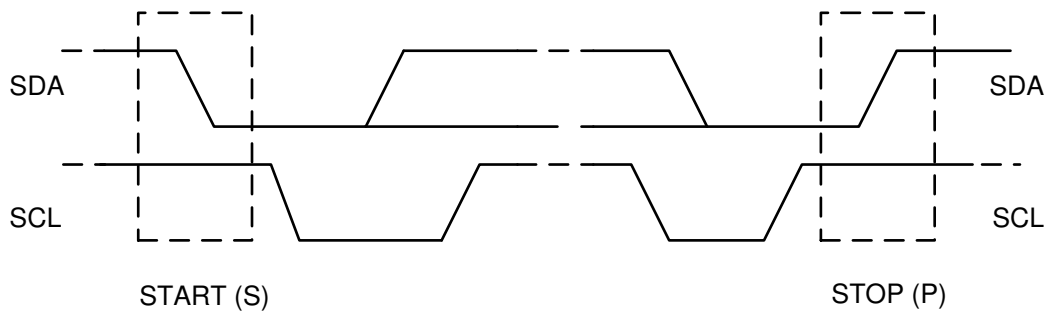
The data on the SDA line must be stable during the HIGH period of the clock. The HIGH or LOW state of the data line can only change when the clock signal on SCL line is LOW. One clock pulse is generated for each data bit transferred.


图 14. Bit Transfers on the I2C bus

8.3.11.2 START and STOP Conditions

All transactions begin with a START (S) and are terminated with a STOP (P). A HIGH to LOW transition on the SDA line while SCL is HIGH defines a START condition. A LOW to HIGH transition on the SDA line when the SCL is HIGH defines a STOP condition.

START and STOP conditions are always generated by the master. The bus is considered busy after the START condition, and free after the STOP condition.


图 15. START and STOP conditions on the I2C bus

8.3.11.3 Byte Format

Every byte on the SDA line must be 8 bits long. The number of bytes to be transmitted per transfer is unrestricted. Each byte has to be followed by an ACKNOWLEDGE (ACK) bit. Data is transferred with the Most Significant Bit (MSB) first. If a slave cannot receive or transmit another complete byte of data until it has performed some other function, it can hold the SCL line low to force the master into a wait state (clock stretching). Data transfer then continues when the slave is ready for another byte of data and releases the SCL line.

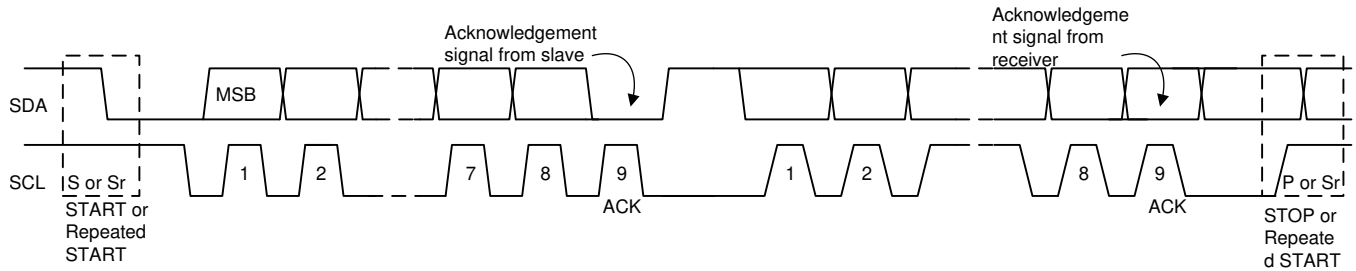


图 16. Data Transfer on the I2C Bus

8.3.11.4 Acknowledge (ACK) and Not Acknowledge (NACK)

The ACK signaling takes place after byte. The ACK bit allows the receiver to signal the transmitter that the byte was successfully received and another byte may be sent. All clock pulses, including the acknowledge 9th clock pulse, are generated by the master.

The transmitter releases the SDA line during the acknowledge clock pulse so the receiver can pull the SDA line LOW and it remains stable LOW during the HIGH period of this 9th clock pulse.

A NACK is signaled when the SDA line remains HIGH during the 9th clock pulse. The master can then generate either a STOP to abort the transfer or a repeated START to start a new transfer.

8.3.11.5 Slave Address and Data Direction Bit

After the START signal, a slave address is sent. This address is 7 bits long, followed by the 8 bit as a data direction bit (bit R/W). A zero indicates a transmission (WRITE) and a one indicates a request for data (READ). The device 7-bit address is defined as 1101 011' (0x6B) by default. The address bit arrangement is shown below.

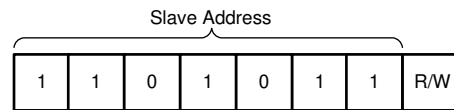


图 17. 7-Bit Addressing (0x6B)

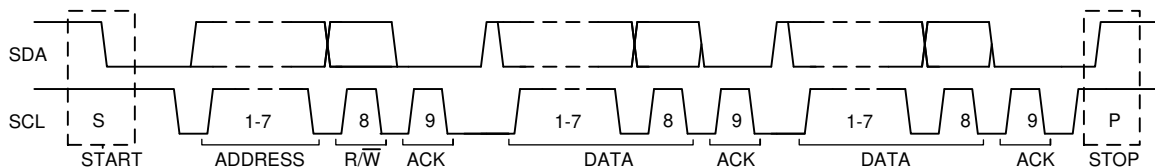


图 18. Complete Data Transfer on the I2C Bus

8.3.11.6 Single Write and Read

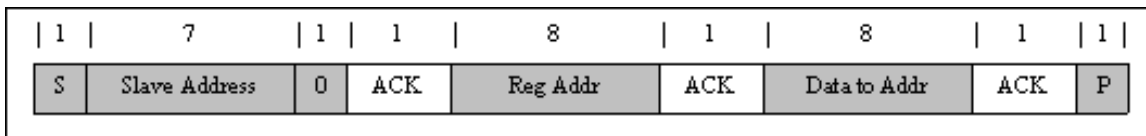
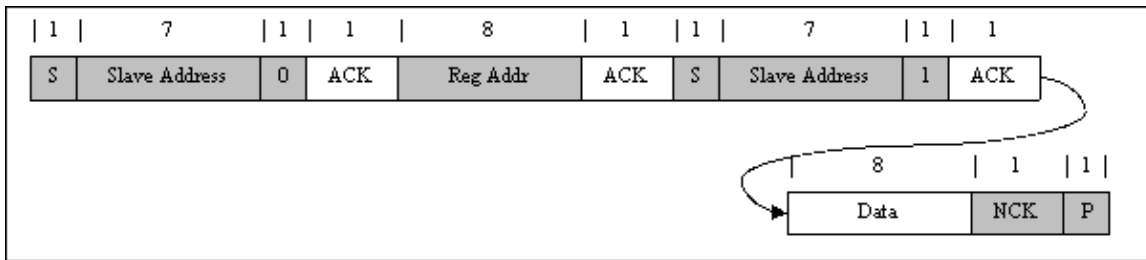


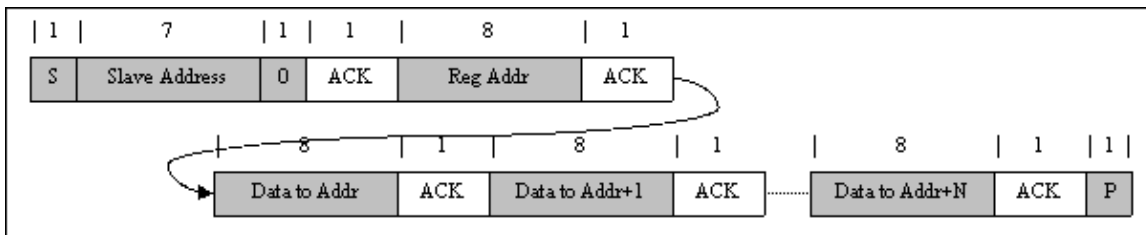
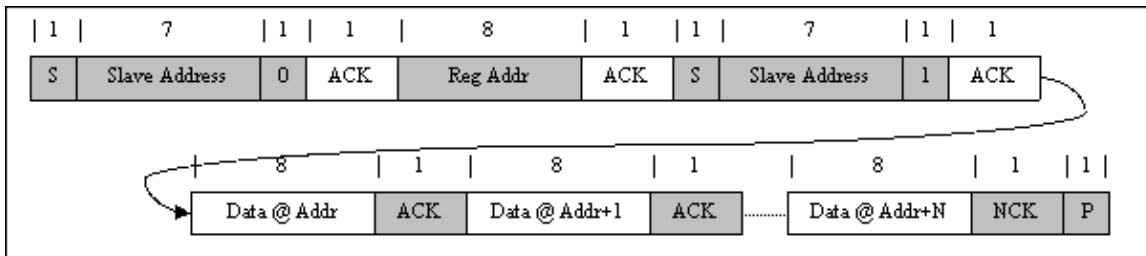
图 19. Single Write


图 20. Single Read

If the register address is not defined, the charger IC sends back NACK and returns to the idle state.

8.3.11.7 Multi-Write and Multi-Read

The charger device supports multi-read and multi-write of all registers.


图 21. Multi-Write

图 22. Multi-Read

8.4 Device Functional Modes

8.4.1 Host Mode and Default Mode

The BQ2588x is a host controlled charger, but it can operate in default mode without host management. In default mode, the device can be used as an autonomous charger with no host or while host is in sleep mode. When the charger is in default mode, WD_STAT bit is HIGH. When the charger is in host mode, WD_STAT bit is LOW.

After power-on-reset, the device starts in default mode with watchdog timer expired, or default mode. All the registers are in the default settings. During default mode, any change on PSEL pin will make real time internal reference change.

In default mode, the device keeps charging the battery with default 12-hour fast charging safety timer.

A I2C write to the registers transitions the charger from default mode to host mode and watchdog timer is reset. All the device parameters can be programmed by the host. To keep the device in host mode, the host has to reset the watchdog timer by writing 1 to WD_RST bit before the watchdog timer expires (WD_STAT bit is set), or disable watchdog timer by setting WATCHDOG bits = 00.

Device Functional Modes (接下页)

When the watchdog timer (WD_STAT bit = 1) is expired, the device returns to default mode and all registers are reset to default values except as detailed in the [Register Maps](#) section. The Watchdog timer will be reset on any write if the watchdog timer has expired.

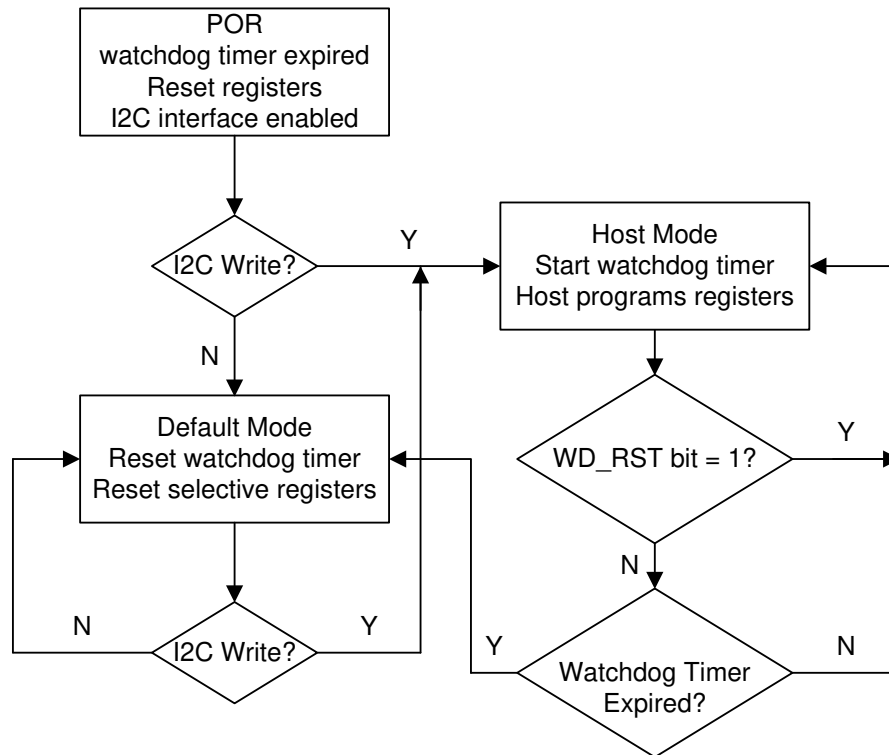


图 23. Watchdog Timer Flow Chart

8.5 Register Maps

Default I²C Slave Address: 0x6B (1101 011B + R/W)

表 6. I²C Registers

Address	Access Type	Acronym	Register Name	Section
00h	R/W	REG00	Cell Voltage Limit	Go
01h	R/W	REG01	Charge Current Limit	Go
02h	R/W	REG02	Input Voltage Limit	Go
03h	R/W	REG03	Input Current Limit	Go
04h	R/W	REG04	Precharge and Termination Control	Go
05h	R/W	REG05	Charger Control 1	Go
06h	R/W	REG06	Charger Control 2	Go
07h	R/W	REG07	Charger Control 3	Go
08h	R/W	REG08	Charger Control 4	Go
09h	R/W	REG09	Reserved	Go
0Ah	R	REG0A	ICO Current Limit	Go
0Bh	R	REG0B	Charger Status 1	Go
0Ch	R	REG0C	Charger Status 2	Go
0Dh	R	REG0D	NTC Status	Go
0Eh	R	REG0E	FAULT Status	Go

表 6. I²C Registers (接下页)

Address	Access Type	Acronym	Register Name	Section
0Fh	R	REG0F	Charger Flag 1	Go
10h	R	REG10	Charger Flag 2	Go
11h	R	REG11	Fault Flag	Go
12h	R/W	REG12	Charger Mask 1	Go
13h	R/W	REG13	Charger Mask 2	Go
14h	R/W	REG14	Fault Mask	Go
15h	R/W	REG15	ADC Control	Go
16h	R/W	REG16	ADC Function Disable	Go
17h	R	REG17	IBUS ADC1	Go
18h	R	REG18	IBUS ADC0	Go
19h	R	REG19	ICHG ADC1	Go
1Ah	R	REG1A	ICHG ADC0	Go
1Bh	R	REG1B	VBUS ADC1	Go
1Ch	R	REG1C	VBUS ADC0	Go
1Dh	R	REG1D	VBAT ADC1	Go
1Eh	R	REG1E	VBAT ADC0	Go
1Fh	R	REG1F	VCELLTOP ADC1	Go
20h	R	REG20	VCELLTOP ADC0	Go
21h	R	REG21	TS ADC1	Go
22h	R	REG22	TS ADC0	Go
23h	R	REG23	TDIE ADC1	Go
24h	R	REG24	TDIE ADC0	Go
25h	R/W	REG25	Part Information	Go
26h	R	REG26	VCELLBOT ADC1	Go
27h	R	REG27	VCELLBOT ADC0	Go
28h	R/W	REG28	Cell Balancing Control 1	Go
29h	R/W	REG29	Cell Balancing Control 2	Go
2Ah	R/W	REG2A	Cell Balancing Status and Control	Go
2Bh	R	REG2B	Cell Balancing Flag	Go
2Ch	R/W	REG2C	Cell Balancing Mask	Go

Complex bit access types are encoded to fit into small table cells. 表 7 shows the codes that are used for access types in this section.

表 7. I²C Access Type Codes

Access Type	Code	Description
Read Type		
R	R	Read
Write Type		
W	W	Write
Reset Value		
-n		Value after reset
-X		Undefined value

8.5.1 Cell Voltage Regulation Limit Register (Address = 00h) [reset = A0h]

REG00 is shown in [图 24](#) and described in .

Return to [Summary Table](#).

图 24. REG00 Register

Bit	7	6	5	4	3	2	1	0
Field	VCELLREG[7:0]							

表 8. REG00 Register Field Descriptions

Bit	Field	Type	Reset by REG_RST	Reset by WATCHDOG	Description
7	VCELLREG[7]	R/W	Yes	Yes	640 mV
6	VCELLREG[6]	R/W	Yes	Yes	320 mV
5	VCELLREG[5]	R/W	Yes	Yes	160 mV
4	VCELLREG[4]	R/W	Yes	Yes	80 mV
3	VCELLREG[3]	R/W	Yes	Yes	40 mV
2	VCELLREG[2]	R/W	Yes	Yes	20 mV
1	VCELLREG[1]	R/W	Yes	Yes	10 mV
0	VCELLREG[0]	R/W	Yes	Yes	5 mV

Cell Charge voltage limit
Offset: 3.40 V
Range: 3.40 V to 4.60 V
Default 4.20 V

8.5.2 Charger Current Limit Register (Address = 01h) [reset = 5Eh]

REG01 is shown in [图 25](#) and described in [表 9](#).

Return to [Summary Table](#).

图 25. REG01 Register

Bit	7	6	5	4	3	2	1	0
Field	EN_HIZ	EN_ILIM	ICHG[5:0]					

表 9. REG01 Register Field Descriptions

Bit	Field	Type	Reset by REG_RST	Reset by WATCHDOG	Description
7	EN_HIZ	R/W	Yes	Yes	Enable HIZ Mode: 0 – Disable (default) 1 – Enable
6	EN_ILIM	R/W	Yes	Yes	Enable ILIM Pin Function: 0 – Disable 1 – Enable (default)
5	ICHG[5]	R/W	Yes	Yes	1600 mA
4	ICHG[4]	R/W	Yes	Yes	800 mA
3	ICHG[3]	R/W	Yes	Yes	400 mA
2	ICHG[2]	R/W	Yes	Yes	200 mA
1	ICHG[1]	R/W	Yes	Yes	100 mA
0	ICHG[0]	R/W	Yes	Yes	50 mA

Fast Charge Current Limit
Offset: 0 mA
Range: 100 mA – 2200 mA
Default 1500 mA
Note: ICHG > 2.2 A (2Ch) clamped to 2.2 A. ICHG < 100 mA (01h) clamped at 100 mA

8.5.3 Input Voltage Limit Register (Address = 02h) [reset = 84h]

REG02 is shown in [图 26](#) and described in [表 10](#).

Return to [Summary Table](#).

图 26. REG02 Register

Bit	7	6	5	4	3	2	1	0
Reset	1h	0h	0h	04h				
Field	EN_VINDPM_RST	EN_BAT_DISCHG	PFM_OOA_DIS	VINDPM[4:0]				

表 10. REG02 Register Field Descriptions

Bit	Field	Type	Reset by REG_RST	Reset by WATCHDOG	Description	
7	EN_VINDPM_RST	R/W	Yes	Yes	Enable VINDPM automatic reset upon adapter plugin: 0 – Disable VINDPM reset when adapter is plugged in 1 – Enable VINDPM reset when adapter is plugged in (VINDPM resets to default value after Input Source Type Detection) (Default)	
6	EN_BAT_DISCHG	R/W	Yes	Yes	Enable BAT pin discharge load (IBAT_DISCHG): 0 – Disable load (Default) 1 – Enable BAT discharge load	
5	PFM_OOA_DIS	R/W	Yes	No	PFM Out-of-Audio (OOA) Mode Disable: 0 – Out-of-audio mode enabled while converter is in PFM (Default) 1 – Out-of-audio mode disabled while converter is in PFM	
4	VINDPM[4]	R/W	Yes	No	1600 mV	Absolute Input Voltage Limit: Offset: 3.9 V Range: 3.9 V – 5.5 V Default: 4.3 V Note: VINDPM > 5.5 V (10h) clamped to 5.5 V. VINDPM register is reset upon adapter plug-in if EN_VINDPM_RST = 1.
3	VINDPM[3]	R/W	Yes	No	800 mV	
2	VINDPM[2]	R/W	Yes	No	400 mV	
1	VINDPM[1]	R/W	Yes	No	200 mV	
0	VINDPM[0]	R/W	Yes	No	100 mV	

8.5.4 Input Current Limit Register (Address = 03h) [reset = 39h]

REG03 is shown in 图 27 and described in 表 11.

Return to [Summary Table](#).

图 27. REG03 Register

Bit	7	6	5	4	3	2	1	0
Field	FORCE_ICO	FORCE_INDET	EN_ICO	IINDPM[4:0]				

表 11. REG03 Register Field Descriptions

Bit	Field	Type	Reset by REG_RST	Reset by WATCHDOG	Description
7	FORCE_ICO	R/W	Yes	Yes	Force Start Input Current Optimizer (ICO): 0 – Do not force ICO (default) 1 – Force ICO start Note: This bit can only be set and always returns 0 after ICO starts. This bit only valid when EN_ICO = 1.
6	FORCE_INDET	R/W	Yes	Yes	Force PSEL Detection: 0 – Not in PSEL detection (default) 1 – Force PSEL detection
5	EN_ICO	R/W	Yes	No	Input Current Optimization (ICO) Algorithm Control: 0 – Disable ICO 1 – Enable ICO (default)
4	IINDPM[4]	R/W	Yes	No	1600 mA
3	IINDPM[3]	R/W	Yes	No	800 mA
2	IINDPM[2]	R/W	Yes	No	400 mA
1	IINDPM[1]	R/W	Yes	No	200 mA
0	IINDPM[0]	R/W	Yes	No	100 mA

Input Current Limit:
Offset: 500 mA
Range: 500 mA – 3300 mA
Default: 3000 mA
Note: IINDPM > 3300 mA (1Ch) clamped to 3300 mA. Actual input current limit is lower of I²C, ICO_ILIM, ILIM pin or PSEL.

8.5.5 Precharge and Termination Current Limit Register (Address = 04h) [reset = 22h]

REG04 is shown in [图 28](#) and described in [表 12](#).

Return to [Summary Table](#).

图 28. REG04 Register

Bit	7	6	5	4	3	2	1	0
Field	IPRECHG[3:0]				ITERM[3:0]			

表 12. REG04 Register Field Descriptions

Bit	Field	Type	Reset by REG_RST	Reset by WATCHDOG	Description
7	IPRECHG[3]	R/W	Yes	Yes	Precharge Current Limit: Offset: 50 mA Range: 50 mA – 800 mA Default: 150 mA
6	IPRECHG[2]	R/W	Yes	Yes	
5	IPRECHG[1]	R/W	Yes	Yes	
4	IPRECHG[0]	R/W	Yes	Yes	
3	ITERM[3]	R/W	Yes	Yes	Termination Current Limit: Offset: 50 mA Range: 50 mA – 800 mA Default: 150 mA
2	ITERM[2]	R/W	Yes	Yes	
1	ITERM[1]	R/W	Yes	Yes	
0	ITERM[0]	R/W	Yes	Yes	

8.5.6 Charger Control 1 Register (Address = 05h) [reset = 9Dh]

REG05 is shown in [图 29](#) and described in [表 13](#).

Return to [Summary Table](#).

图 29. REG05 Register

Bit	7	6	5	4	3	2	1	0
Field	EN_TERM	STAT_DIS	WATCHDOG[1:0]		EN_TIMER	CHG_TIMER[1:0]		TMR2X_EN

表 13. REG05 Register Field Descriptions

Bit	Field	Type	Reset by REG_RST	Reset by WATCHDOG	Description
7	EN_TERM	R/W	Yes	Yes	Termination Control: 0 – Disable termination 1 – Enable termination (default)
6	STAT_DIS	R/W	Yes	Yes	STAT Pin Disable: 0 – Enable STAT pin function (default) 1 – Disable STAT pin function
5	WATCHDOG[1]	R/W	Yes	Yes	I2C Watchdog Timer Settings: 00 – Disable WD Timer 01 – 40 s (default) 10 – 80 s 11 – 160 s
4	WATCHDOG[0]	R/W	Yes	Yes	
3	EN_TIMER	R/W	Yes	Yes	Charging Safety Timer Enable 0 – Disable 1 – Enable (Default)
2	CHG_TIMER[1]	R/W	Yes	Yes	Fast Charge Timer Setting 00 – 5 hrs 01 – 8 hrs 10 – 12 hrs (Default) 11 – 20 hrs
1	CHG_TIMER[0]	R/W	Yes	Yes	
0	TMR2X_EN	R/W	Yes	Yes	Safety Timer during DPM or TREG 0 – Safety timer always count normally 1 – Safety timer slowed by 2X during input DPM or TREG (Default)

8.5.7 Charger Control 2 Register (Address = 06h) [reset = 7Dh]

REG06 is shown in [图 30](#) and described in [表 14](#).

Return to [Summary Table](#).

图 30. REG06 Register

Bit	7	6	5	4	3	2	1	0
Field	Reserved	AUTO_INDET_EN	TREG[1:0]		EN_CHG	CELLLOWV	VRECHG[1:0]	

表 14. REG06 Register Field Descriptions

Bit	Field	Type	Reset by REG_RST	Reset by WATCHDOG	Description	
7	Reserved	R/W	Yes	Yes	Reserved bit always reads 0.	
6	AUTO_INDET_EN	R/W	Yes	Yes	Automatic PSEL Detection Enable: 0 – Disable PSELL detection when VBUS plugs in 1 – Enable PSEL detection when VBUS plugs in (default)	
5	TREG[1]	R/W	Yes	Yes	Thermal Regulation Threshold 00 – 60°C 01 – 80°C 10 – 100°C 11 – 120°C (Default)	
4	TREG[0]	R/W	Yes	Yes		
3	EN_CHG	R/W	Yes	Yes	Charger Enable Configuration 0 – Charge Disable 1 – Charge Enable (default) Note: If EN_OTG and EN_CHG are set simultaneously, EN_CHG takes priority	
2	CELLLOWV	R/W	Yes	Yes	Battery precharge to fast-charge threshold: 0 – 2.8 V 1 – 3.0 V (default)	
1	VCELL_RECHG[1]	R/W	Yes	No	100 mV	Cell Recharge Threshold Offset (below VCELLREG) Offset: 50 mV Range: 50 mV – 200 mV Default: 100 mV
0	VCELL_RECHG[0]	R/W	Yes	No	50 mV	

8.5.8 Charger Control 3 Register (Address = 07h) [reset = 00h]

REG07 is shown in [图 31](#) and described in [表 15](#).

Return to [Summary Table](#).

图 31. REG07 Register

Bit	7	6	5	4	3	2	1	0
Reset	0h	0h	0h		0h			
Field	PFM_DIS	WD_RST	TOPOFF_TIMER[1:0]		Reserved			

表 15. REG07 Register Field Descriptions

Bit	Field	Type	Reset by REG_RST	Reset by WATCHDOG	Description
7	PFM_DIS	R/W	Yes	No	PFM Mode Disable control: 0 – Enable PFM operation (default) 1 – Disable PFM operation
6	WD_RST	R/W	Yes	Yes	I2C Watchdog Timer Reset: 0 – Normal 1 – Reset (Bit goes back to 0 after timer reset)
5	TOPOFF_TIMER[1]	R/W	Yes	Yes	Top-off Timer Control : 00 – Disabled (default) 01 – 15 mins 10 – 30 mins 11 – 45 mins
4	TOPOFF_TIMER[0]	R/W	Yes	Yes	
3	RESERVED	R	No	No	Reserved bit always reads 0
2	RESERVED	R	No	No	Reserved bit always reads 0
1	RESERVED	R	No	No	This bit reads back 1.
0	RESERVED	R	No	No	Reserved bit always reads 0

8.5.9 Charger Control 4 Register (Address = 08h) [reset = 0Dh]

REG08 is shown in [图 32](#) and described in [表 16](#).

Return to [Summary Table](#).

图 32. REG08 Register

Bit	7	6	5	4	3	2	1	0
Reset	0h			1h		1h	1h	
Field	Reserved[2:0]			JEITA_VSET[1:0]		JEITA_ISETH	JEITA_ISETC[1:0]	

表 16. REG08 Register Field Descriptions

Bit	Field	Type	Reset by REG_RST	Reset by WATCHDOG	Description
7	RESERVED	R	No	No	Reserved bit always reads 0
6	RESERVED	R	No	No	Reserved bit always reads 0
5	RESERVED	R	No	No	Reserved bit always reads 0
4	JEITA_VSET[1]	R/W	Yes	Yes	JEITA High Temp. (45C – 60C) Voltage Setting: 00 – Charge Suspend 01 – Set VREG to 8.0V (default) 10 – Set VREG to 8.3V 11 – VREG unchanged
3	JEITA_VSET[0]	R/W	Yes	Yes	
2	JEITA_ISETH	R/W	Yes	Yes	JEITA High Temp. (45C – 60C) Current Setting (percentage with respect to ICHG REG01[5:0]): 0 – 40% of ICHG 1 – 100% of ICHG (default)
1	JEITA_ISETC[1]	R/W	Yes	Yes	JEITA Low Temp. (0C – 10C) Current Setting (percentage with respect to ICHG REG01[5:0]): 00 – Charge Suspend 01 – 20% of ICHG (default) 10 – 40% of ICHG 11 – 100% of ICHG
0	JEITA_ISETC[0]	R/W	Yes	Yes	

8.5.10 Reserved Register (Address = 09h) [reset = 00h]

REG09 is shown in [图 33](#) and described in [表 17](#).

Return to [Summary Table](#).

图 33. REG09 Register

Bit	7	6	5	4	3	2	1	0
Reset	0h							
Field	Reserved[7:0]							

表 17. REG09 Register Field Descriptions

Bit	Field	Type	Reset by REG_RST	Reset by WATCHDOG	Description
7:0	RESERVED	R	No	No	Reserved bit always reads 0h

8.5.11 ICO Current Limit in Use Register (Address = 0Ah) [reset = XXh]

 REG0A is shown in [图 34](#) and described in [表 18](#).

 Return to [Summary Table](#).

图 34. REG0A Register

Bit	7	6	5	4	3	2	1	0
Reset	0	0	0	X	X	X	X	X
Field	RESERVED	RESERVED	RESERVED	ICO_ILIM[4:0]				

表 18. REG0A Register Field Descriptions

Bit	Field	Type	Reset by REG_RST	Reset by WATCHDOG	Description
7	RESERVED	R	No	No	Reserved bit always reads 0
6	RESERVED	R	No	No	Reserved bit always reads 0
5	RESERVED	R	No	No	Reserved bit always reads 0
4	ICO_ILIM[4]	R	No	No	1600 mA
3	ICO_ILIM[3]	R	No	No	800 mA
2	ICO_ILIM[2]	R	No	No	400 mA
1	ICO_ILIM[1]	R	No	No	200 mA
0	ICO_ILIM[0]	R	No	No	100 mA

Input Current Limit in use when ICO is enabled:
Offset: 500 mA
Range: 500 mA – 3300 mA

8.5.12 Charger Status 1 Register (Address = 0Bh) [reset = XXh]

REG0B is shown in [图 35](#) and described in [表 19](#).

Return to [Summary Table](#).

图 35. REG0B Register

Bit	7	6	5	4	3	2	1	0
Reset	X	X	X	X	X	X	X	X
Field	Reserved	IINDPM_STAT	VINDPM_STAT	TREG_STAT	WD_STAT	CHRG_STAT[2:0]		

表 19. REG0B Register Field Descriptions

Bit	Field	Type	Reset by REG_RST	Reset by WATCHDOG	Description
7	Reserved	R	No	No	Reserved bit always reads 0
6	IINDPM_STAT	R	No	No	IINDPM Status: 0 – Normal 1 – In IINDPM Regulation (ILIM pin or IINDPM register)
5	VINDPM_STAT	R	No	No	VINDPM Status: 0 – Normal 1 – In VINDPM Regulation
4	TREG_STAT	R	No	No	IC Thermal regulation Status: 0 – Normal 1 – In Thermal Regulation
3	WD_STAT	R	No	No	I2C Watchdog Timer Status bit: 0 – Normal 1 – WD Timer expired
2	CHRG_STAT[2]	R	No	No	Charge Status bits: 000 – Not Charging 001 – Trickle Charge (VBAT < VBAT_SHORT) 010 – Pre-charge (VBAT_UVLO_RISING < VBAT < VBAT_LOWV) 011 – Fast-charge (CC mode) 100 – Taper Charge (CV mode) 101 – Top-off Timer Charging 110 – Charge Termination Done 111 – Reserved
1	CHRG_STAT[1]	R	No	No	
0	CHRG_STAT[0]	R	No	No	

8.5.13 Charger Status 2 Register (Address = 0Ch) [reset = XXh]

REG0C is shown in [图 36](#) and described in [表 20](#).

Return to [Summary Table](#).

图 36. REG0C Register

Bit	7	6	5	4	3	2	1	0
Reset	X	X	X	X	0	X	X	X
Field	PG_STAT	VBUS_STAT[2:0]			RESERVED	ICO_STAT[1]	ICO_STAT[0]	Reserved

表 20. REG0C Register Field Descriptions

Bit	Field	Type	Reset by REG_RST	Reset by WATCHDOG	Description
7	PG_STAT	R	No	No	Power Good Status: 0 – Not Power Good 1 – Power Good
6	VBUS_STAT[2]	R	No	No	VBUS Detection Status 000 – No Input 001 – USB Host SDP ----> PSEL High 010 - USB CDP (1.5 A) 011 – Adapter (3.0 A) ----> PSEL low 100 – POORSRC detected 7 consecutive times 101 - Unknown Adapter (500 mA) 110 - Non-standard Adapter (1 A/2 A/2.1 A/2.4 A)
5	VBUS_STAT[1]	R	No	No	
4	VBUS_STAT[0]	R	No	No	
3	RESERVED	R	No	No	Reserved bit always reads 0h
2	ICO_STAT[1]	R	No	No	Input Current Optimizer (ICO) Status: 00 – ICO Disabled 01 – ICO Optimization is in progress 10 – Maximum input current detected 11 – Reserved
1	ICO_STAT[0]	R	No	No	
0	Reserved	R	No	No	Reserved bit always reads 0h

8.5.14 NTC Status Register (Address = 0Dh) [reset = 0Xh]

 REG0D is shown in [图 37](#) and described in [表 21](#).

 Return to [Summary Table](#).

图 37. REG0D Register

Bit	7	6	5	4	3	2	1	0
Reset	0	0	0	0	0	X	X	X
Field	RESERVED		RESERVED	RESERVED	RESERVED	TS_STAT[2:0]		

表 21. REG0D Register Field Descriptions

Bit	Field	Type	Reset by REG_RST	Reset by WATCHDOG	Description
7	RESERVED	R	Yes	No	Reserved bit always reads 0h
6	RESERVED	R	Yes	No	Reserved bit always reads 0h
5	RESERVED	R	Yes	No	Reserved bit always reads 0h
4	RESERVED	R	Yes	No	Reserved bit always reads 0h
3	RESERVED	R	Yes	No	Reserved bit always reads 0h
2	TS_STAT[2]	R	No	No	NTC (TS) Status: 000 – Normal 010 – TS Warm 011 – TS Cool 101 – TS Cold 110 – TS Hot
1	TS_STAT[1]	R	No	No	
0	TS_STAT[0]	R	No	No	

8.5.15 FAULT Status Register (Address = 0Eh) [reset = XXh]

 REG0E is shown in [图 38](#) and described in [表 22](#).

 Return to [Summary Table](#).

图 38. REG0E Register

Bit	7	6	5	4	3	2	1	0
Reset	X	X	0	X	0	0	0	X
Field	VBUS_OVP_STAT	TSHUT_STAT	Reserved	TMR_STAT	RESERVED	RESERVED	RESERVED	Reserved

表 22. REG0E Register Field Descriptions

Bit	Field	Type	Reset by REG_RST	Reset by WATCHDOG	Description
7	VBUS_OVP_STAT	R	No	No	Input over-voltage Status: 0 – Normal 1 – Device in over-voltage protection
6	TSHUT_STAT	R	No	No	IC Temperature shutdown Status: 0 – Normal 1 – Device in thermal shutdown protection
5	RESERVED	R	No	No	Reserved bit always reads 0h
4	TMR_STAT	R	No	No	Charge Safety timer Status: 0 – Normal 1 – Charge Safety timer expired
3	RESERVED	R	No	No	Reserved bit always reads 0h
2	RESERVED	R	No	No	Reserved bit always reads 0h
1	RESERVED	R	No	No	Reserved bit always reads 0h
0	RESERVED	R	No	No	Reserved bit always reads 0h

8.5.16 Charger Flag 1 Register (Address = 0Fh) [reset = 00h]

REG0F is shown in 图 39 and described in 表 23.

Return to [Summary Table](#).

图 39. REG0F Register

Bit	7	6	5	4	3	2	1	0
Reset	0	0	0	0	0	0	0	0
Field	Reserved	IINDPM_FLAG	VINDPM_FLAG	TREG_FLAG	WD_FLAG	RESERVED	RESERVED	CHRG_FLAG

表 23. REG0F Register Field Descriptions

Bit	Field	Type	Reset by REG_RST	Reset by WATCHDOG	Description
7	Reserved	R	Yes	No	Reserved bit always reads 0
6	IINDPM_FLAG	R	Yes	No	IINDPM Regulation $\overline{\text{INT}}$ Flag: 0 – Normal 1 – IINDPM signal rising edge detected
5	VINDPM_FLAG	R	Yes	No	VINDPM regulation $\overline{\text{INT}}$ Flag: 0 – Normal 1 – VINDPM signal rising edge detected
4	TREG_FLAG	R	Yes	No	IC Temperature Regulation $\overline{\text{INT}}$ Flag: 0 – Normal 1 – TREG signal rising edge detected
3	WD_FLAG	R	Yes	No	I2C Watchdog $\overline{\text{INT}}$ Flag: 0 – Normal 1 – WD_STAT signal rising edge detected
2	RESERVED	R	Yes	No	Reserved bit always reads 0h
1	RESERVED	R	Yes	No	Reserved bit always reads 0h
0	CHRG_FLAG	R	Yes	No	Charge Status $\overline{\text{INT}}$ Flag: 0 – Normal 1 – CHRG_STAT[2:0] bits changed (transition to any state)

8.5.17 Charger Flag 2 Register (Address = 10h) [reset = 00h]

REG10 is shown in [图 40](#) and described in [表 24](#).

Return to [Summary Table](#).

图 40. REG10 Register

Bit	7	6	5	4	3	2	1	0
Reset	0	0	0	0	0	0	0	0
Field	PG_FLAG	RESERVED	RESERVED	VBUS_FLAG	RESERVED	TS_FLAG	ICO_FLAG	Reserved

表 24. REG10 Register Field Descriptions

Bit	Field	Type	Reset by REG_RST	Reset by WATCHDOG	Description
7	PG_FLAG	R	Yes	No	Power Good $\overline{\text{INT}}$ Flag: 0 – Normal 1 – PG signal toggle detected
6	RESERVED	R	Yes	No	Reserved bit always reads 0h
5	RESERVED	R	Yes	No	Reserved bit always reads 0h
4	VBUS_FLAG	R	Yes	No	VBUS Status $\overline{\text{INT}}$ Flag: 0 – Normal 1 – VBUS_STAT[2:0] bits changed (transition to any state)
3	RESERVED	R	Yes	No	Reserved bit always reads 0h
2	TS_FLAG	R	Yes	No	TS Status $\overline{\text{INT}}$ Flag: 0 – Normal 1 – TS_STAT[2:0] bits changed (transition to any state)
1	ICO_FLAG	R	Yes	No	Input Current Optimizer (ICO) $\overline{\text{INT}}$ Flag: 0 – Normal 1 – ICO_STAT[1:0] changed (transition to any state)
0	RESERVED	R	Yes	No	Reserved bit always reads 0h

8.5.18 FAULT Flag Register (Address = 11h) [reset = 00h]

 REG11 is shown in [图 41](#) and described in [表 25](#).

 Return to [Summary Table](#).

图 41. REG11 Register

Bit	7	6	5	4	3	2	1	0
Reset	0	0	0	0	0	0	0	0
Field	VBUS_OVP_FLAG AG	TSHUT_FLAG	Reserved	TMR_FLAG	RESERVED	RESERVED	RESERVED	Reserved

表 25. REG11 Register Field Descriptions

Bit	Field	Type	Reset by REG_RST	Reset by WATCHDOG	Description
7	VBUS_OVP_FLAG	R	Yes	No	Input over-voltage $\overline{\text{INT}}$ Flag: 0 – Normal 1 – Entered VBUS_OVP Fault
6	TSHUT_FLAG	R	Yes	No	IC Temperature shutdown $\overline{\text{INT}}$ Flag: 0 – Normal 1 – Entered TSHUT Fault
5	RESERVED	R	Yes	No	Reserved bit always reads 0h
4	TMR_FLAG	R	Yes	No	Charge Safety timer Fault $\overline{\text{INT}}$ Flag: 0 – Normal 1 – Charge Safety timer expired rising edge detected
3	RESERVED	R	Yes	No	Reserved bit always reads 0
2	RESERVED	R	Yes	No	Reserved bit always reads 0h
1	RESERVED	R	Yes	No	Reserved bit always reads 0h
0	RESERVED	R	Yes	No	Reserved bit always reads 0h

8.5.19 Charger Mask 1 Register (Address = 12h) [reset = 00h]

REG12 is shown in [图 42](#) and described in [表 26](#).

Return to [Summary Table](#).

图 42. REG12 Register

Bit	7	6	5	4	3	2	1	0
Reset	0	1	1	1	0	0	0	0
Field	ADC_DONE_M ASK	IINDPM_MASK	VINDPM_MASK	TREG_MASK	WD_MASK	RESERVED	RESERVED	CHRG_MASK

表 26. REG12 Register Field Descriptions

Bit	Field	Type	Reset by REG_RST	Reset by WATCHDOG	Description
7	ADC_DONE_MASK	R/W	Yes	No	ADC Conversion $\overline{\text{INT}}$ Mask Flag (only one-shot mode) 0 – ADC_DONE does produce $\overline{\text{INT}}$ pulse 1 – ADC_DONE does produce not $\overline{\text{INT}}$ pulse Reserved bit always reads 0
6	IINDPM_MASK	R/W	Yes	No	IINDPM Regulation $\overline{\text{INT}}$ Mask 0 – IINDPM entry produces $\overline{\text{INT}}$ pulse 1 – IINDPM entry does not produce $\overline{\text{INT}}$ pulse
5	VINDPM_MASK	R/W	Yes	No	VINDPM Regulation $\overline{\text{INT}}$ Mask 0 – VINDPM entry produces $\overline{\text{INT}}$ pulse 1 – VINDPM entry not produce $\overline{\text{INT}}$ pulse
4	TREG_MASK	R/W	Yes	No	IC Temperature Regulation $\overline{\text{INT}}$ Mask 0 – TREG entry produces $\overline{\text{INT}}$ pulse 1 – TREG entry produce $\overline{\text{INT}}$ pulse
3	WD_MASK	R/W	Yes	No	I2C Watchdog Timer $\overline{\text{INT}}$ Mask 0 – WD_STAT rising edge produces $\overline{\text{INT}}$ pulse 1 – WD_STAT rising edge does not produce $\overline{\text{INT}}$
2	RESERVED	R	Yes	No	Reserved bit always reads 0h
1	RESERVED	R	Yes	No	Reserved bit always reads 0h
0	CHRG_MASK	R/W	Yes	No	Charge Status $\overline{\text{INT}}$ Mask 0 – CHRG_STAT[2:0] bit change produces $\overline{\text{INT}}$ 1 – CHRG_STAT[2:0] bit change does not produce $\overline{\text{INT}}$ pulse

8.5.20 Charger Mask 2 Register (Address = 13h) [reset = 00h]

REG13 is shown in 图 43 and described in 表 27.

Return to [Summary Table](#).

图 43. REG13 Register

Bit	7	6	5	4	3	2	1	0
Reset	0	0	0	0	0	0	0	0
Field	PG_MASK	RESERVED	RESERVED	VBUS_MASK	RESERVED	TS_MASK	ICO_MASK	Reserved

表 27. REG13 Register Field Descriptions

Bit	Field	Type	Reset by REG_RST	Reset by WATCHDOG	Description
7	PG_MASK	R/W	Yes	No	Power Good $\overline{\text{INT}}$ Mask: 0 – PG toggle produces $\overline{\text{INT}}$ pulse 1 – PG toggle does not produce $\overline{\text{INT}}$ pulse
6	RESERVED	R	Yes	No	Reserved bit always reads 0h
5	RESERVED	R	Yes	No	Reserved bit always reads 0h
4	VBUS_MASK	R/W	Yes	No	VBUS Status $\overline{\text{INT}}$ Mask: 0 – VBUS_STAT[2:0] bit change produces $\overline{\text{INT}}$ 1 – VBUS_STAT[2:0] bit change does not produces $\overline{\text{INT}}$
3	RESERVED	R	Yes	No	Reserved bit always reads 0h
2	TS_MASK	R/W	Yes	No	TS Status $\overline{\text{INT}}$ Mask: 0 – TS_STAT[2:0] bit change produces $\overline{\text{INT}}$ 1 – TS_STAT[2:0] bit change does not produces $\overline{\text{INT}}$ pulse
1	ICO_MASK	R/W	Yes	No	Input Current Optimizer (ICO) $\overline{\text{INT}}$ Mask: 0 – ICO_STAT rising edge produces $\overline{\text{INT}}$ 1 – ICO_STAT rising edge does not produce $\overline{\text{INT}}$
0	RESERVED	R	Yes	No	Reserved bit always reads 0h

8.5.21 FAULT Mask Register (Address = 14h) [reset = 00h]

REG14 is shown in [图 44](#) and described in [表 28](#).

Return to [Summary Table](#).

图 44. REG14 Register

Bit	7	6	5	4	3	2	1	0
Reset	0	0	0	0	0	0	0	0
Field	VBUS_OVP_M ASK	TSHUT_MASK	Reserved	TMR_MASK	SNS_SHORT_ MASK	RESERVED	RESERVED	Reserved

表 28. REG14 Register Field Descriptions

Bit	Field	Type	Reset by REG_RST	Reset by WATCHDOG	Description
7	VBUS_OVP_MASK	R/W	Yes	No	Input over-voltage $\overline{\text{INT}}$ Mask: 0 – VBUS_OVP rising edge produces $\overline{\text{INT}}$ pulse 1 – VBUS_OVP rising edge does not produce $\overline{\text{INT}}$ pulse
6	TSHUT_MASK	R/W	Yes	No	Thermal Shutdown $\overline{\text{INT}}$ Mask: 0 – TSHUT rising edge produces $\overline{\text{INT}}$ pulse 1 – TSHUT rising edge does not produce $\overline{\text{INT}}$ pulse
5	RESERVED	R	Yes	No	Reserved bit always reads 0h
4	TMR_MASK	R/W	Yes	No	Charge Safety Timer Fault $\overline{\text{INT}}$ Mask: 0 – Timer expired rising edge produces $\overline{\text{INT}}$ pulse 1 – Timer expired rising edge does not produce $\overline{\text{INT}}$ pulse
3	SNS_SHORT_MASK	R/W	Yes	No	SNS Short Fault $\overline{\text{INT}}$ Mask: 0 – SNS short rising edge produces $\overline{\text{INT}}$ pulse 1 – SNS short rising edge does not produce $\overline{\text{INT}}$ pulse
2	RESERVED	R	Yes	No	Reserved bit always reads 0h
1	RESERVED	R	Yes	No	Reserved bit always reads 0h
0	RESERVED	R	Yes	No	Reserved bit always reads 0h

8.5.22 ADC Control Register (Address = 15h) [reset = 30h]

REG15 is shown in [图 45](#) and described in [表 29](#).

Return to [Summary Table](#).

图 45. REG15 Register

Bit	7	6	5	4	3	2	1	0
Reset	0	0	1	1	0	0	0	0
Field	ADC_EN	ADC_RATE	ADC_SAMPLE[1:0]		RESERVED	RESERVED	RESERVED	RESERVED

表 29. REG15 Register Field Descriptions

Bit	Field	Type	Reset by REG_RST	Reset by WATCHDOG	Description
7	ADC_EN	R/W	Yes	Yes	ADC Control: 0 – Disable ADC 1 – Enable ADC
6	ADC_RATE	R/W	Yes	No	0 – Continuous conversion 1 – One-shot conversion
5	ADC_SAMPLE[1]	R/W	Yes	No	Sample Speed of ADC: 00 – 15 bit effective resolution 01 – 14 bit effective resolution 10 – 13 bit effective resolution 11 – 12 bit effective resolution
4	ADC_SAMPLE[0]	R/W	Yes	No	
3	RESERVED	R	Yes	No	Reserved bit always reads 0h
2	RESERVED	R	Yes	No	Reserved bit always reads 0h
1	RESERVED	R	Yes	No	Reserved bit always reads 0h
0	RESERVED	R	Yes	No	Reserved bit always reads 0h

8.5.23 ADC Function Disable Register (Address = 16h) [reset = 00h]

REG16 is shown in [图 46](#) and described in [表 30](#).

Return to [Summary Table](#).

图 46. REG16 Register

Bit	7	6	5	4	3	2	1	0
Reset	0	0	0	0	0	0	0	0
Field	IBUS_ADC_DIS	ICHG_ADC_D IS	VBUS_ADC_DI S	VBAT_ADC_DI S	Reserved	TS_ADC_DIS	VCELL_ADC_D IS	TDIE_ADC_DIS

表 30. REG16 Register Field Descriptions

Bit	Field	Type	Reset by REG_RST	Reset by WATCHDOG	Description
7	IBUS_ADC_DIS	R/W	Yes	No	0 – Enable conversion 1 – Disable conversion
6	ICHG_ADC_DIS	R/W	Yes	No	0 – Enable conversion 1 – Disable conversion
5	VBUS_ADC_DIS	R/W	Yes	No	0 – Enable conversion 1 – Disable conversion
4	VBAT_ADC_DIS	R	Yes	No	0 – Enable conversion 1 – Disable conversion
3	RESERVED	R	Yes	No	Reserved bit always reads 0h
2	TS_ADC_DIS	R/W	Yes	No	0 – Enable conversion 1 – Disable conversion
1	VCELL_ADC_DIS	R/W	Yes	No	0 – Enable conversion 1 – Disable conversion
0	TDIE_ADC_DIS	R/W	Yes	No	0 – Enable conversion 1 – Disable conversion

8.5.24 IBUS ADC 1 Register (Address = 17h) [reset = 00h]

REG17 is shown in 图 47 and described in 表 31.

Return to [Summary Table](#).

图 47. REG17 Register

Bit	7	6	5	4	3	2	1	0
Reset	0	0	0	0	0	0	0	0
Field	IBUS_ADC[15:8]							

表 31. REG17 Register Field Descriptions

Bit	Field	Type	Reset by REG_RST	Reset by WATCHDOG	Description
7	IBUS_ADC[15]	R	Yes	No	Sign bit: overall results reported in two's complement.
6	IBUS_ADC[14]	R	Yes	No	16384 mA
5	IBUS_ADC[13]	R	Yes	No	8192 mA
4	IBUS_ADC[12]	R	Yes	No	4096 mA
3	IBUS_ADC[11]	R	Yes	No	2048 mA
2	IBUS_ADC[10]	R	Yes	No	1024 mA
1	IBUS_ADC[9]	R	Yes	No	512 mA
0	IBUS_ADC[8]	R	Yes	No	256 mA

VBUS Current Reading (positive current flows into VBUS pin, negative current flows out of VBUS pin):
Range: 0 A – 4 A

8.5.25 IBUS ADC 0 Register (Address = 18h) [reset = 00h]

REG18 is shown in 图 48 and described in 表 32.

Return to [Summary Table](#).

图 48. REG18 Register

Bit	7	6	5	4	3	2	1	0
Reset	0	0	0	0	0	0	0	0
Field	IBUS_ADC[7:0]							

表 32. REG18 Register Field Descriptions

Bit	Field	Type	Reset by REG_RST	Reset by WATCHDOG	Description
7	IBUS_ADC[7]	R	Yes	No	128 mA
6	IBUS_ADC[6]	R	Yes	No	64 mA
5	IBUS_ADC[5]	R	Yes	No	32 mA
4	IBUS_ADC[4]	R	Yes	No	16 mA
3	IBUS_ADC[3]	R	Yes	No	8 mA
2	IBUS_ADC[2]	R	Yes	No	4 mA
1	IBUS_ADC[1]	R	Yes	No	2 mA
0	IBUS_ADC[0]	R	Yes	No	1 mA

VBUS Current Reading (positive current flows into VBUS pin, negative current flows out of VBUS pin):
Range: 0 A – 4 A

8.5.26 ICHG ADC 1 Register (Address = 19h) [reset = 00h]

REG19 is shown in [图 49](#) and described in [表 33](#).

Return to [Summary Table](#).

图 49. REG19 Register

Bit	7	6	5	4	3	2	1	0
Reset	0	0	0	0	0	0	0	0
Field	RESERVED	ICHG_ADC[14:8]						

表 33. REG19 Register Field Descriptions

Bit	Field	Type	Reset by REG_RST	Reset by WATCHDOG	Description
7	Reserved	R	Yes	No	Reserved register always reads 0h.
6	ICHG_ADC[14]	R	Yes	No	16384 mA
5	ICHG_ADC[13]	R	Yes	No	8192 mA
4	ICHG_ADC[12]	R	Yes	No	4096 mA
3	ICHG_ADC[11]	R	Yes	No	2048 mA
2	ICHG_ADC[10]	R	Yes	No	1024 mA
1	ICHG_ADC[9]	R	Yes	No	512 mA
0	ICHG_ADC[8]	R	Yes	No	256 mA

Charge Current Reading:
Range: 0 A – 4 A

8.5.27 ICHG ADC 0 Register (Address = 1Ah) [reset = 00h]

REG1A is shown in [图 50](#) and described in [表 34](#).

Return to [Summary Table](#).

图 50. REG1A Register

Bit	7	6	5	4	3	2	1	0
Reset	0	0	0	0	0	0	0	0
Field	ICHG_ADC[7:0]							

表 34. REG1A Register Field Descriptions

Bit	Field	Type	Reset by REG_RST	Reset by WATCHDOG	Description
7	ICHG_ADC[7]	R	Yes	No	128 mA
6	ICHG_ADC[6]	R	Yes	No	64 mA
5	ICHG_ADC[5]	R	Yes	No	32 mA
4	ICHG_ADC[4]	R	Yes	No	16 mA
3	ICHG_ADC[3]	R	Yes	No	8 mA
2	ICHG_ADC[2]	R	Yes	No	4 mA
1	ICHG_ADC[1]	R	Yes	No	2 mA
0	ICHG_ADC[0]	R	Yes	No	1 mA

Charge Current Reading:
Range: 0 A – 4 A

8.5.28 VBUS ADC 1 Register (Address = 1Bh) [reset = 00h]

REG1B is shown in [图 51](#) and described in [表 35](#).

Return to [Summary Table](#).

图 51. REG1B Register

Bit	7	6	5	4	3	2	1	0
Reset	0	0	0	0	0	0	0	0
Field	VBUS_ADC[15:8]							

表 35. REG1B Register Field Descriptions

Bit	Field	Type	Reset by REG_RST	Reset by WATCHDOG	Description
7	VBUS_ADC[15]	R	Yes	No	Sign bit: overall results reported in two's complement.
6	VBUS_ADC[14]	R	Yes	No	16384 mV
5	VBUS_ADC[13]	R	Yes	No	8192 mV
4	VBUS_ADC[12]	R	Yes	No	4096 mV
3	VBUS_ADC[11]	R	Yes	No	2048 mV
2	VBUS_ADC[10]	R	Yes	No	1024 mV
1	VBUS_ADC[9]	R	Yes	No	512 mV
0	VBUS_ADC[8]	R	Yes	No	256 mV

VBUS Voltage reading
Range: 0 V – 10 V

8.5.29 VBUS ADC 0 Register (Address = 1Ch) [reset = 00h]

REG1C is shown in [图 52](#) and described in [表 36](#).

Return to [Summary Table](#).

图 52. REG1C Register

Bit	7	6	5	4	3	2	1	0
Reset	0	0	0	0	0	0	0	0
Field	VBUS_ADC[7:0]							

表 36. REG1C Register Field Descriptions

Bit	Field	Type	Reset by REG_RST	Reset by WATCHDOG	Description
7	VBUS_ADC[7]	R	Yes	No	128 mV
6	VBUS_ADC[6]	R	Yes	No	64 mV
5	VBUS_ADC[5]	R	Yes	No	32 mV
4	VBUS_ADC[4]	R	Yes	No	16 mV
3	VBUS_ADC[3]	R	Yes	No	8 mV
2	VBUS_ADC[2]	R	Yes	No	4 mV
1	VBUS_ADC[1]	R	Yes	No	2 mV
0	VBUS_ADC[0]	R	Yes	No	1 mV

VBUS Voltage Reading:
Range: 0 V – 10 V

8.5.30 VBAT ADC 1 Register (Address = 1Dh) [reset = 00h]

REG1D is shown in [图 53](#) and described in [表 37](#).

Return to [Summary Table](#).

图 53. REG1D Register

Bit	7	6	5	4	3	2	1	0
Reset	0	0	0	0	0	0	0	0
Field	VBAT_ADC[15:8]							

表 37. REG1D Register Field Descriptions

Bit	Field	Type	Reset by REG_RST	Reset by WATCHDOG	Description
7	VBAT_ADC[15]	R	Yes	No	Sign bit: overall results reported in two's complement.
6	VBAT_ADC[14]	R	Yes	No	16384 mV
5	VBAT_ADC[13]	R	Yes	No	8192 mV
4	VBAT_ADC[12]	R	Yes	No	4096 mV
3	VBAT_ADC[11]	R	Yes	No	2048 mV
2	VBAT_ADC[10]	R	Yes	No	1024 mV
1	VBAT_ADC[9]	R	Yes	No	512 mV
0	VBAT_ADC[8]	R	Yes	No	256 mV

VBAT Voltage reading:
Range: 0 V – 10 V

8.5.31 VBAT ADC 0 Register (Address = 1Eh) [reset = 00h]

REG1E is shown in [图 54](#) and described in [表 38](#).

Return to [Summary Table](#).

图 54. REG1E Register

Bit	7	6	5	4	3	2	1	0
Reset	0	0	0	0	0	0	0	0
Field	VBAT_ADC[7:0]							

表 38. REG1E Register Field Descriptions

Bit	Field	Type	Reset by REG_RST	Reset by WATCHDOG	Description
7	VBAT_ADC[7]	R	Yes	No	128 mV
6	VBAT_ADC[6]	R	Yes	No	64 mV
5	VBAT_ADC[5]	R	Yes	No	32 mV
4	VBAT_ADC[4]	R	Yes	No	16 mV
3	VBAT_ADC[3]	R	Yes	No	8 mV
2	VBAT_ADC[2]	R	Yes	No	4 mV
1	VBAT_ADC[1]	R	Yes	No	2 mV
0	VBAT_ADC[0]	R	Yes	No	1 mV

VBAT Voltage reading:
Range: 0 V – 10 V

8.5.32 VCELLTOP ADC 1 Register (Address = 1Fh) [reset = 00h]

REG1F is shown in 图 55 and described in 表 39.

Return to [Summary Table](#).

图 55. REG1F Register

Bit	7	6	5	4	3	2	1	0
Reset	0	0	0	0	0	0	0	0
Field	VCELLTOP_ADC[15:8]							

表 39. REG1F Register Field Descriptions

Bit	Field	Type	Reset by REG_RST	Reset by WATCHDOG	Description
7	VCELLTOP_ADC[15]	R	Yes	No	Sign bit: overall results reported in two's complement.
6	VCELLTOP_ADC[14]	R	Yes	No	16384 mV
5	VCELLTOP_ADC[13]	R	Yes	No	8192 mV
4	VCELLTOP_ADC[12]	R	Yes	No	4096 mV
3	VCELLTOP_ADC[11]	R	Yes	No	2048 mV
2	VCELLTOP_ADC[10]	R	Yes	No	1024 mV
1	VCELLTOP_ADC[9]	R	Yes	No	512 mV
0	VCELLTOP_ADC[8]	R	Yes	No	256 mV

VCELLTOP Voltage reading:
Range: 0 V – 5 V
Note: cell balancing voltage measurement is measured through internal comparator. ADC reading may not reflect the actual cell balancing voltage measurement.

8.5.33 VCELLTOP ADC 0 Register (Address = 20h) [reset = 00h]

REG20 is shown in 图 56 and described in 表 40.

Return to [Summary Table](#).

图 56. REG20 Register

Bit	7	6	5	4	3	2	1	0
Reset	0	0	0	0	0	0	0	0
Field	VCELLTOP_ADC[7:0]							

表 40. REG20 Register Field Descriptions

Bit	Field	Type	Reset by REG_RST	Reset by WATCHDOG	Description
7	VCELLTOP_ADC[7]	R	Yes	No	128 mV
6	VCELLTOP_ADC[6]	R	Yes	No	64 mV
5	VCELLTOP_ADC[5]	R	Yes	No	32 mV
4	VCELLTOP_ADC[4]	R	Yes	No	16 mV
3	VCELLTOP_ADC[3]	R	Yes	No	8 mV
2	VCELLTOP_ADC[2]	R	Yes	No	4 mV
1	VCELLTOP_ADC[1]	R	Yes	No	2 mV
0	VCELLTOP_ADC[0]	R	Yes	No	1 mV

VCELLTOP Voltage reading:
Range: 0 V – 5 V
Note: cell balancing voltage measurement is measured through internal comparator. ADC reading may not reflect the actual cell balancing voltage measurement.

8.5.34 TS ADC 1 Register (Address = 21h) [reset = 00h]

REG21 is shown in 图 57 and described in 表 41.

Return to [Summary Table](#).

图 57. REG21 Register

Bit	7	6	5	4	3	2	1	0
Reset	0	0	0	0	0	0	0	0
Field	TS_ADC[15:8]							

表 41. REG21 Register Field Descriptions

Bit	Field	Type	Reset by REG_RST	Reset by WATCHDOG	Description
7	TS_ADC[15]	R	Yes	No	Sign bit: overall results reported in two's complement.
6	TS_ADC[14]	R	Yes	No	
5	TS_ADC[13]	R	Yes	No	
4	TS_ADC[12]	R	Yes	No	
3	TS_ADC[11]	R	Yes	No	
2	TS_ADC[10]	R	Yes	No	
1	TS_ADC[9]	R	Yes	No	50.0 %
0	TS_ADC[8]	R	Yes	No	25.0 %

TS as percentage of REGN reading:
Range: 0% – 94.9%

8.5.35 TS ADC 0 Register (Address = 22h) [reset = 00h]

REG22 is shown in 图 58 and described in 表 42.

Return to [Summary Table](#).

图 58. REG22 Register

Bit	7	6	5	4	3	2	1	0
Reset	0	0	0	0	0	0	0	0
Field	TS_ADC[7:0]							

表 42. REG22 Register Field Descriptions

Bit	Field	Type	Reset by REG_RST	Reset by WATCHDOG	Description
7	TS_ADC[7]	R	Yes	No	12.50 %
6	TS_ADC[6]	R	Yes	No	6.25 %
5	TS_ADC[5]	R	Yes	No	3.125 %
4	TS_ADC[4]	R	Yes	No	1.563 %
3	TS_ADC[3]	R	Yes	No	0.781 %
2	TS_ADC[2]	R	Yes	No	0.391 %
1	TS_ADC[1]	R	Yes	No	0.195 %
0	TS_ADC[0]	R	Yes	No	0.098 %

TS as percentage of REGN reading:
Range: 0% – 94.9%

8.5.36 TDIE ADC 1 Register (Address = 23h) [reset = 00h]

REG23 is shown in 图 59 and described in 表 43.

Return to [Summary Table](#).

图 59. REG23 Register

Bit	7	6	5	4	3	2	1	0
Reset	0	0	0	0	0	0	0	0
Field	TDIE_ADC[15:8]							

表 43. REG23 Register Field Descriptions

Bit	Field	Type	Reset by REG_RST	Reset by WATCHDOG	Description
7	TDIE_ADC[15]	R	Yes	No	Sign bit: overall results reported in two's complement.
6	TDIE_ADC[14]	R	Yes	No	
5	TDIE_ADC[13]	R	Yes	No	
4	TDIE_ADC[12]	R	Yes	No	
3	TDIE_ADC[11]	R	Yes	No	
2	TDIE_ADC[10]	R	Yes	No	
1	TDIE_ADC[9]	R	Yes	No	
0	TDIE_ADC[8]	R	Yes	No	128 °C TDIE (IC Temperature) reading: Range: 0°C – 128°C

8.5.37 TDIE ADC 0 Register (Address = 24h) [reset = 00h]

REG24 is shown in 图 60 and described in 表 44.

Return to [Summary Table](#).

图 60. REG24 Register

Bit	7	6	5	4	3	2	1	0
Reset	0	0	0	0	0	0	0	0
Field	TDIE_ADC[7:0]							

表 44. REG24 Register Field Descriptions

Bit	Field	Type	Reset by REG_RST	Reset by WATCHDOG	Description
7	TDIE_ADC[7]	R	Yes	No	64 °C
6	TDIE_ADC[6]	R	Yes	No	32 °C
5	TDIE_ADC[5]	R	Yes	No	16 °C
4	TDIE_ADC[4]	R	Yes	No	8 °C
3	TDIE_ADC[3]	R	Yes	No	4 °C
2	TDIE_ADC[2]	R	Yes	No	2 °C
1	TDIE_ADC[1]	R	Yes	No	1 °C
0	TDIE_ADC[0]	R	Yes	No	0.5 °C

8.5.38 Part Information Register (Address = 25h) [reset = 28h]

REG25 is shown in [图 61](#) and described in [表 45](#).

Return to [Summary Table](#).

图 61. REG25 Register

Bit	7	6	5	4	3	2	1	0
Reset	0	0	1	0	1	0	0	0
Field	REG_RST	PN[3:0]			DEV_REV[2:0]			

表 45. REG25 Register Field Descriptions

Bit	Field	Type	Reset by REG_RST	Reset by WATCHDOG	Description
7	REG_RST	R/W	Yes	No	Register Reset: 0 – Keep current register settings 1 – Reset to default register value and reset safety timer (bit resets to 0 after register reset is complete)
6	PN[3]	R	Yes	No	0101: BQ25887
5	PN[2]	R	Yes	No	
4	PN[1]	R	Yes	No	
3	PN[0]	R	Yes	No	
2	DEV_REV[2]	R	Yes	No	Device revision: 001
1	DEV_REV[1]	R	Yes	No	
0	DEV_REV[0]	R	Yes	No	

8.5.39 VCELLBOT ADC 1 Register (Address = 26h) [reset = 00h]

REG26 is shown in 图 62 and described in 表 46.

Return to [Summary Table](#).

图 62. REG26 Register

Bit	7	6	5	4	3	2	1	0
Reset	0	0	0	0	0	0	0	0
Field	VCELLBOT_ADC[15:8]							

表 46. REG26 Register Field Descriptions

Bit	Field	Type	Reset by REG_RST	Reset by WATCHDOG	Description
7	VCELLBOT_ADC[15]	R	Yes	No	Sign bit: overall results reported in two's complement.
6	VCELLBOT_ADC[14]	R	Yes	No	16384 mV
5	VCELLBOT_ADC[13]	R	Yes	No	8192 mV
4	VCELLBOT_ADC[12]	R	Yes	No	4096 mV
3	VCELLBOT_ADC[11]	R	Yes	No	2048 mV
2	VCELLBOT_ADC[10]	R	Yes	No	1024 mV
1	VCELLBOT_ADC[9]	R	Yes	No	512 mV
0	VCELLBOT_ADC[8]	R	Yes	No	256 mV

Bottom Cell Voltage from MID to GND Voltage reading:
Range: 0 V – 5 V

8.5.40 VCELLBOT ADC 0 Register (Address = 27h) [reset = 00h]

REG27 is shown in 图 63 and described in 表 47.

Return to [Summary Table](#).

图 63. REG27 Register

Bit	7	6	5	4	3	2	1	0
Reset	0	0	0	0	0	0	0	0
Field	VCELLBOT_ADC[7:0]							

表 47. REG27 Register Field Descriptions

Bit	Field	Type	Reset by REG_RST	Reset by WATCHDOG	Description
7	VCELLBOT_ADC[7]	R	Yes	No	128 mV
6	VCELLBOT_ADC[6]	R	Yes	No	64 mV
5	VCELLBOT_ADC[5]	R	Yes	No	32 mV
4	VCELLBOT_ADC[4]	R	Yes	No	16 mV
3	VCELLBOT_ADC[3]	R	Yes	No	8 mV
2	VCELLBOT_ADC[2]	R	Yes	No	4 mV
1	VCELLBOT_ADC[1]	R	Yes	No	2 mV
0	VCELLBOT_ADC[0]	R	Yes	No	1 mV

Bottom Cell Voltage from MID to GND Voltage reading:
Range: 0 V – 10 V

8.5.41 Cell Balancing Control 1 Register (Address = 28h) [reset = 2Ah]

REG28 is shown in [图 64](#) and described in [表 48](#).

Return to [Summary Table](#).

图 64. REG28 Register

Bit	7	6	5	4	3	2	1	0
Reset	0	0	1	0	1	0	1	0
Field	VDIFF_END_OFFSET[2:0]		TCB_QUAL_IN TERVAL		TCB_ACTIVE[1:0]		TSETTLE[1:0]	

表 48. REG28 Register Field Descriptions

Bit	Field	Type	Reset by REG_RST	Reset by WATCHDOG	Description
7	VDIFF_END_OFFSET[2]	R/W	Yes	No	Cell balancing exit threshold is programmed as an offset from the VDIFF_START. Range is 30 mV to 100 mV with 10-mV resolution. Note that VDIFF_END_OFFSET should be less than the selected VDIFF_START. VDIFF_END = VDIFF_START – VDIFF_END_OFFSET. If VDIFF_END is less than 10 mV, then the charger should clamp VDIFF_END to 10 mV. 000 – 30 mV 001 – 40 mV (Default) 010 – 50 mV 011 – 60 mV 100 – 70 mV 101 – 80 mV 110 – 90 mV 111 – 100 mV
6	VDIFF_END_OFFSET[1]	R/W	Yes	No	
5	VDIFF_END_OFFSET[0]	R/W	Yes	No	
4	TCB_QUAL_INTERVAL	R/W	Yes	No	Options for the interval between taking measurements to enter cell balancing mode: 0 – 2 min (default) 1 – 4 min
3	TCB_ACTIVE[1]	R/W	Yes	No	Register to select time interval to stop charging and cell balancing discharging for cell voltage measurements 00 – 4 s 01 – 32 s 10 – 2 min (default) 11 – 4 min
2	TCB_ACTIVE[0]	R/W	Yes	No	
1	TSETTLE[1]	R/W	Yes	No	Register to set delay between charge disable and voltage measurement. 00 – 10 ms 01 – 100 ms 10 – 1 s (default) 11 – 2 s
0	TSETTLE[0]	R/W	Yes	No	

8.5.42 Cell Balancing Control 2 Register (Address = 29h) [reset = F4h]

REG29 is shown in [图 65](#) and described in [表 49](#).

Return to [Summary Table](#).

图 65. REG29 Register

Bit	7	6	5	4	3	2	1	0
Reset	1	1	1	1	0	1	0	0
Field	VQUAL_TH				VDIFF_START			

表 49. REG29 Register Field Descriptions

Bit	Field	Type	Reset by REG_RST	Reset by WATCHDOG	Description
7	VQUAL_TH [3]	R/W	Yes	No	80 mV
6	VQUAL_TH [2]	R/W	Yes	No	40 mV
5	VQUAL_TH [1]	R/W	Yes	No	20 mV
4	VQUAL_TH [0]	R/W	Yes	No	10 mV
The threshold from cell balancing pre-qualification mode to cell balancing qualification mode. This is the differential threshold between the two cells when charging is enabled. Offset is 40mV. Range from 40mV to 180mV with 10mV step. 0000 – 40 mV 0001 – 50 mV 0010 – 60 mV 0011 – 70 mV 0100 – 80 mV 0101 – 90 mV 0110 – 100 mV 0111 – 110 mV 1000 – 120 mV 1001 – 130 mV 1010 – 140 mV 1011 – 150 mV 1100: 160 mV 1101 – 170 mV 1110 – 180 mV 1111 – Disable pre-qualification (Default)					
3	VDIFF_START [3]	R/W	Yes	No	80 mV
2	VDIFF_START [2]	R/W	Yes	No	40 mV
1	VDIFF_START [0]	R/W	Yes	No	20 mV
0	VDIFF_START [1]	R/W	Yes	No	10 mV
The threshold from cell balancing qualification mode to cell balancing active mode. This is the differential threshold between the two cells when charging is enabled. Offset is 40mV. Range from 40 mV to 190 mV with 10-mV step. Default VDIFF_START is 0100 (80 mV) 0000 – 40 mV 0001 – 50 mV 0010 – 60 mV 0011 – 70 mV 0100 – 80 mV (Default) 0101 – 90 mV 0110 – 100 mV 0111 – 110 mV 1000 – 120 mV 1001 – 130 mV 1010 – 140 mV 1011 – 150 mV 1100 – 160 mV 1101 – 170 mV 1110 – 180 mV 1111 – 190 mV					

8.5.43 Cell Balancing Status and Control Register (Address = 2Ah) [reset = 81h]

REG29 is shown in [图 66](#) and described in [表 50](#).

Return to [Summary Table](#).

图 66. REG2A Register

Bit	7	6	5	4	3	2	1	0
Reset	1	1	0	0	0	0	0	0
Field	CB_CHG_DIS	CB_AUTO_EN	CB_STAT	HS_CV_STAT	LS_CV_STAT	HS_OV_STAT	LS_OV_STAT	CB_OC_STAT

表 50. REG2A Register Field Descriptions

Bit	Field	Type	Reset by REG_RST	Reset by WATCHDOG	Description
7	CB_CHG_DIS	R/W	Yes	No	Bit to disable charge for accurate cell balancing measurement. CB discharge will still be disabled for measurement. 0 – Charge is continuous during cell balancing cell voltage measurement 1 – Charge is disabled during cell balancing cell voltage measurement. (Default)
6	CB_AUTO_EN	R/W	Yes	No	Bit to enable automatic cell balancing mode. This bit must be low to allow the manual cell discharge function. 0 – Disable auto cell balancing 1 – Enable auto cell balancing (Default)
5	CB_STAT	R	Yes	No	Anytime cell balance is active, the is bit is set to high. Once cell balance is exit, this bit returns to low. 0 – Cell balance not active or cell balance is exit. 1 – Cell balance active mode.
4	HS_CV_STAT	R	Yes	No	If this bit is set, the high side cell is in CV mode
3	LS_CV_STAT	R	Yes	No	If this bit is set, the low side cell is in CV mode
2	HS_OV_STAT	R	Yes	No	If this bit is set, the high side cell is in over-voltage
1	LS_OV_STAT	R	Yes	No	If this bit is set, the low side cell is in over-voltage
0	CB_OC_STAT	R	Yes	No	If this bit is set, the Cell Balance Over-Current Protection is active

8.5.44 Cell Balancing Flag Register (Address = 2Bh) [reset = 00h]

REG2A is shown in 图 67 and described in 表 51.

Return to [Summary Table](#).

图 67. REG2B Register

Bit	7	6	5	4	3	2	1	0
Reset	0	0	0	0	0	0	0	0
Field	QCBH_EN	QCBL_EN	CB_FLAG	HS_CV_FLAG	LS_CV_FLAG	HS_OV_FLAG	LS_OV_FLAG	CB_OC_FLAG

表 51. REG2B Register Field Descriptions

Bit	Field	Type	Reset by REG_RST	Reset by WATCHDOG	Description
7	QCBH_EN	R/W	Yes	No	Bit to turn on QCBH to discharge the top cell. 0 – Turn off QCBH (Default) 1 – Turn on QCBH
6	QCBL_EN	R/W	Yes	No	Bit to turn on QCBL to discharge the bottom cell. 0 – Turn off QCBL (Default) 1 – Turn on QCBL
5	CB_FLAG	R	Yes	No	Cell balancing status $\overline{\text{INT}}$ Flag 0 – Normal 1 – Entered or exited cell balancing
4	HS_CV_FLAG	R	Yes	No	If this bit is set, the high side cell balancing FET is in CV mode, or has been in CV mode. This bit is cleared upon read.
3	LS_CV_FLAG	R	Yes	No	If this bit is set, the low side cell balancing FET is in CV mode, or has been in CV mode. This bit is cleared upon read.
2	HS_OV_FLAG	R	Yes	No	If this bit is set, the high side cell is in over-voltage, or has been in over-voltage. This bit is cleared upon read.
1	LS_OV_FLAG	R	Yes	No	If this bit is set, the low side cell is in over-voltage, or has been in over-voltage. This bit is cleared upon read.
0	CB_OC_FLAG	R	Yes	No	If this bit is set, the Cell Balance Over-Current Protection is active, or has been active. This bit is cleared upon read.

8.5.45 Cell Balancing Mask Register (Address = 2Ch) [reset = 00h]

REG2B is shown in 图 68 and described in 表 52.

Return to [Summary Table](#).

图 68. REG2C Register

Bit	7	6	5	4	3	2	1	0
Reset	0	0	0	0	0	0	0	0
Field	Reserved	Reserved	CB_MASK	HS_CV_MASK	LS_CV_MASK	HS_OV_MASK	LS_OV_MASK	CB_OC_MASK

表 52. REG2C Register Field Descriptions

Bit	Field	Type	Reset by REG_RST	Reset by WATCHDOG	Description
7	Reserved	R	Yes	No	Reserved bit always reads 0h
6	Reserved	R	Yes	No	Reserved bit always reads 0h
5	CB_MASK	R/W	Yes	No	When set, the device will not send an interrupt on the $\overline{\text{INT}}$ pin when the device enters or exits cell balance mode.
4	HS_CV_MASK	R/W	Yes	No	When set, the device will not send an interrupt on the $\overline{\text{INT}}$ pin when the high side cell balancing FET is in CV mode.
3	LS_CV_MASK	R/W	Yes	No	When set, the device will not send an interrupt on the $\overline{\text{INT}}$ pin when the low side cell balancing FET is in CV mode.
2	HS_OV_MASK	R/W	Yes	No	When set, the device will not send an interrupt on the $\overline{\text{INT}}$ pin when the high side cell is in over-voltage.
1	LS_OV_MASK	R/W	Yes	No	When set, the device will not send an interrupt on the $\overline{\text{INT}}$ pin when the low side cell is in over-voltage.
0	CB_OC_MASK	R/W	Yes	No	When set, the device will not send an interrupt on the $\overline{\text{INT}}$ pin when the Cell Balance Over-Current Protections is active.

9 Application and Implementation

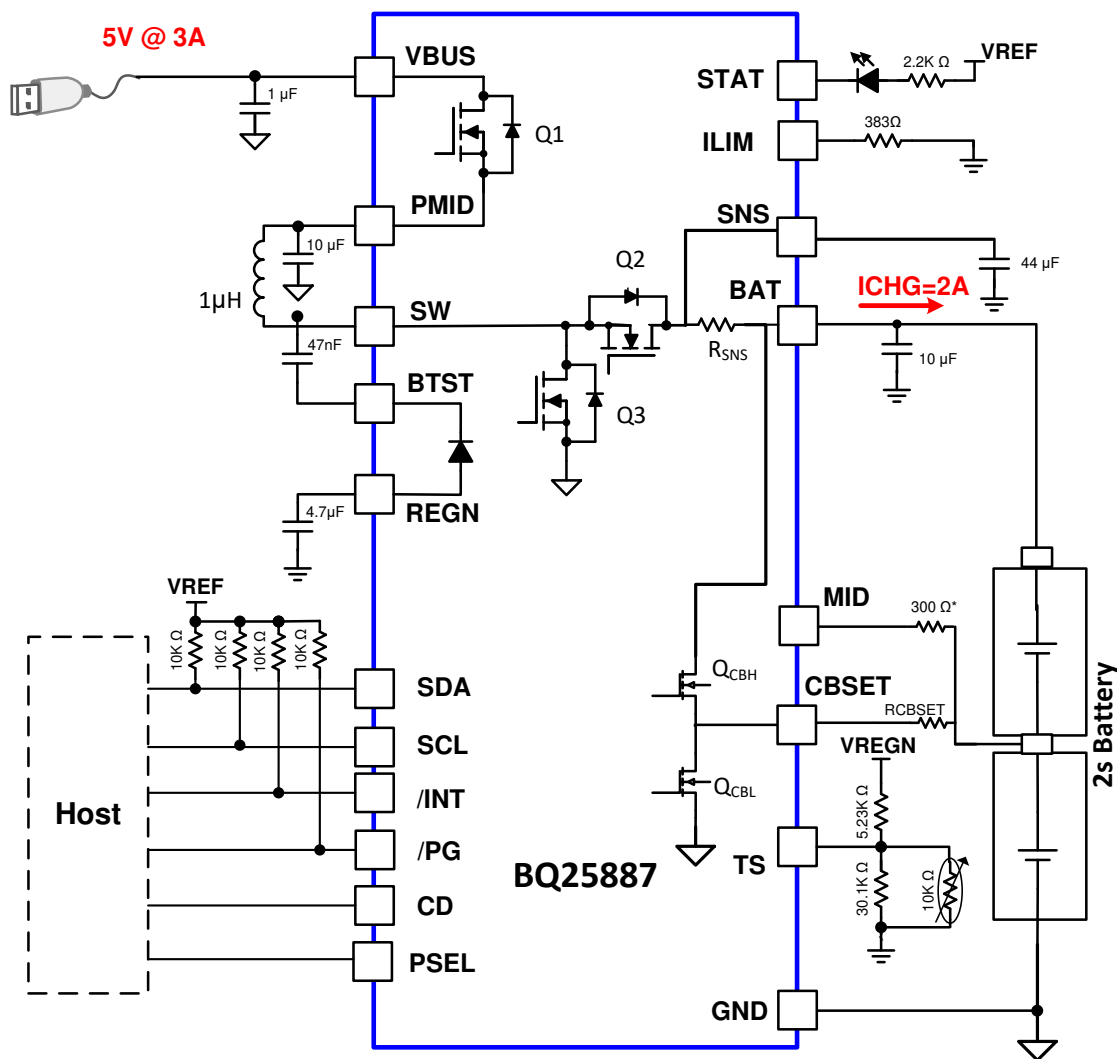
注

Information in the following applications sections is not part of the TI component specification, and TI does not warrant its accuracy or completeness. TI's customers are responsible for determining suitability of components for their purposes. Customers should validate and test their design implementation to confirm system functionality.

9.1 Application Information

A typical application consists of the BQ25887 configured as an I²C controlled device and a 2s battery charger with cell balancing for Li-Ion and Li-polymer batteries used in a wide range of E-cig and other portable devices. It integrates an input blocking FET (QBLK, Q1), high-side switching FET (QHS, Q2), and low-side switching FET (QLS, Q3). The device also integrates a bootstrap diode for the high-side gate drive.

9.2 Typical Application



*Note: 300Ω resistor on MID pin is used to limit the current in the case where the bottom cell is plugged in reversly

图 69. BQ25887 (Cell Balancing and I²C) Typical Application Diagram

Typical Application (接下页)

9.2.1 Design Requirements

For this design example, use the parameters shown in 表 53 below.

表 53. Design Parameters

PARAMETER	VALUE
V _{BUS} voltage range	3.9 V to 6.2 V
Input current limit (I _{INDPM} [4:0])	2.4 A
Fast charge current limit (I _{CHG} [5:0])	1.5 A
Battery Regulation Voltage (V _{CELLREG} [7:0])	4.2 V

9.2.2 Detailed Design Procedure

9.2.2.1 Inductor Selection

The device has 1.5-MHz switching frequency to allow the use of small inductor and capacitor values. The inductor saturation current should be higher than the input current (I_{IN}) plus half the ripple current (I_{RIPPLE}):

$$I_{SAT} \geq I_{IN} + \frac{I_{RIPPLE}}{2} \quad (5)$$

The inductor ripple current (I_{RIPPLE}) depends on input voltage (V_{VBUS}), duty cycle (D = V_{BAT}/V_{BUS}), switching frequency (f_{SW}) and inductance (L):

$$I_{RIPPLE} = \frac{V_{BUS} \times (V_{SYS} - V_{BUS})}{V_{SYS} \times f_{SW} \times L} \quad (6)$$

The maximum inductor ripple current happens in the vicinity of D = 0.5. Usually inductor ripple is designed in the range of (20 – 40%) maximum charging current as a trade-off between inductor size and efficiency for a practical design.

9.2.2.2 Input (VBUS / PMID) Capacitor

The input capacitor should have enough ripple current rating to absorb input switching ripple current. The worst case RMS ripple current occurs when duty cycle is 0.5. If the converter does not operate at 50% duty cycle, then the worst case capacitor RMS current I_{PMID} occurs where the duty cycle is closest to 50% and can be estimated by

$$I_{PMID} = \frac{I_{RIPPLE}}{2 \times \sqrt{3}} \approx 0.29 \times I_{RIPPLE} \quad (7)$$

A low ESR ceramic capacitor such as X7R or X5R is preferred for input decoupling capacitor and should be placed close to the PMID and GND pins of the IC. Voltage rating of the capacitor must be higher than normal input voltage level. 25-V rating or higher capacitor is preferred for up to 5-V input voltage. A minimum 10-μF capacitor is suggested for up to 3.3-A input current. Keep in mind, long impedance cable would cause significant voltage drop with higher inrush current. For optimal performance, 44-μF cap on PMID is recommended. In addition, a minimum 1-μF capacitor is suggested at V_{BUS} pin.

9.2.2.3 Output (VSNS) Capacitor

The SYS capacitor is the boost converter output capacitor and should also have enough ripple current rating to absorb output switching ripple current. The output capacitor RMS current I_{COU_T} is given:

$$I_{CSYS, rms} = I_{OUT} \times \sqrt{\frac{D}{1-D}} \quad (8)$$

The output capacitor voltage ripple is a function of the boost output current (I_{OUT}), and can be calculated as follows:

$$\Delta V_{SYS} = \frac{I_{OUT} \times D}{f_{SW} \times C_{SYS}} \quad (9)$$

A low ESR ceramic capacitor such as X7R or X5R is preferred for SNS decoupling capacitor and should be placed close to the SNS and GND pins of the IC. Voltage rating of the capacitor must be higher than normal output voltage level. 16-V rating or higher capacitor is preferred. Minimum 44- μ F capacitor is suggested for up to 2.2-A boost converter output current.

9.2.3 Application Curves

$C_{VBUS} = 1 \mu\text{F}$, $C_{PMID} = 10 \mu\text{F}$, $C_{BAT} = 10 \mu\text{F}$, $C_{SNS} = 44 \mu\text{F}$, $L = \text{DFE252012F-1R0}$ ($1 \mu\text{H}$) (unless otherwise specified)

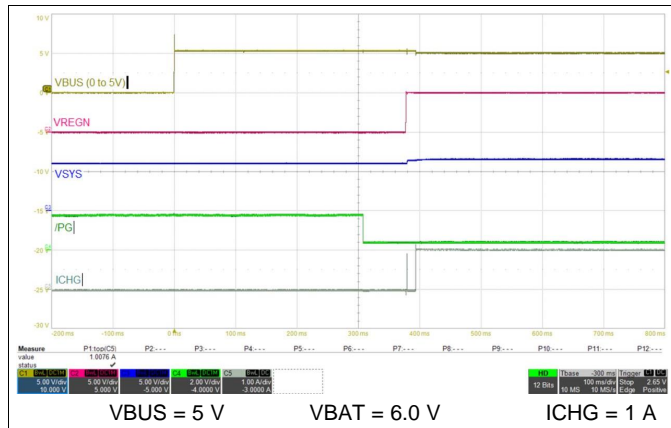


图 70. Adapter Power Up with Charge Enabled

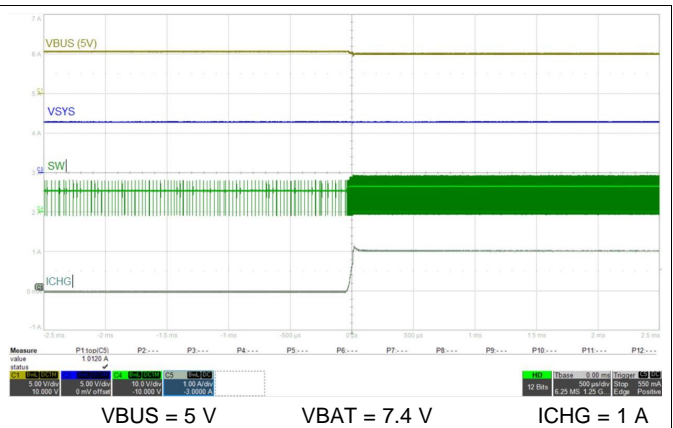


图 71. Charge Enable

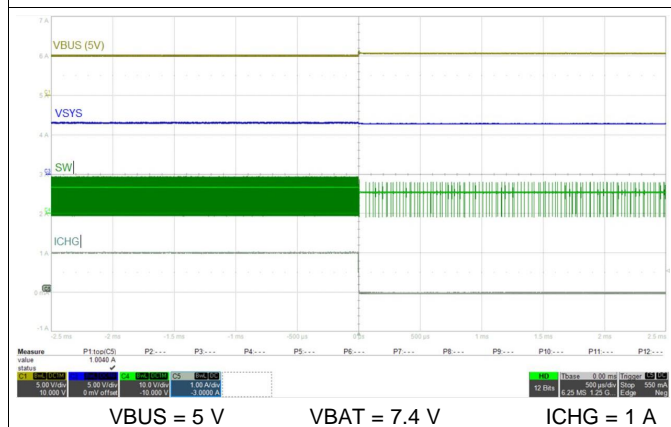


图 72. Charge Disabled

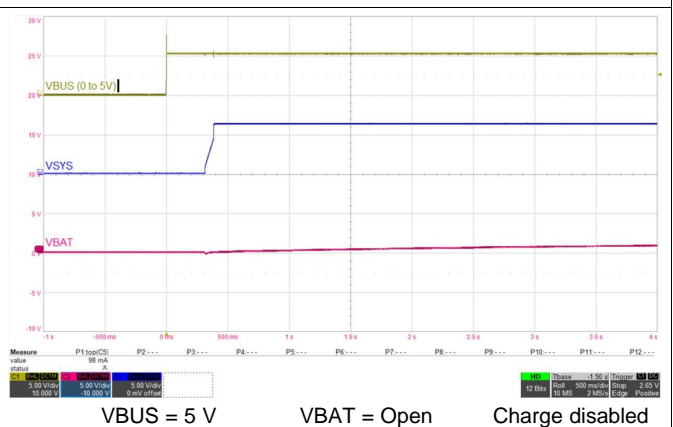


图 73. Adapter Plug-in with No Battery Charge Disabled

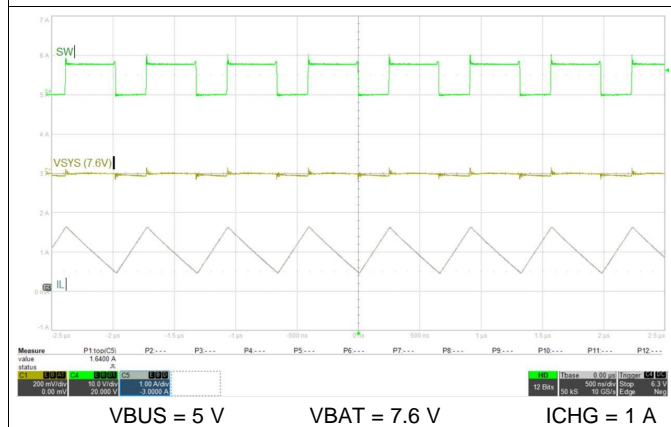


图 74. Boost Mode PWM Switching

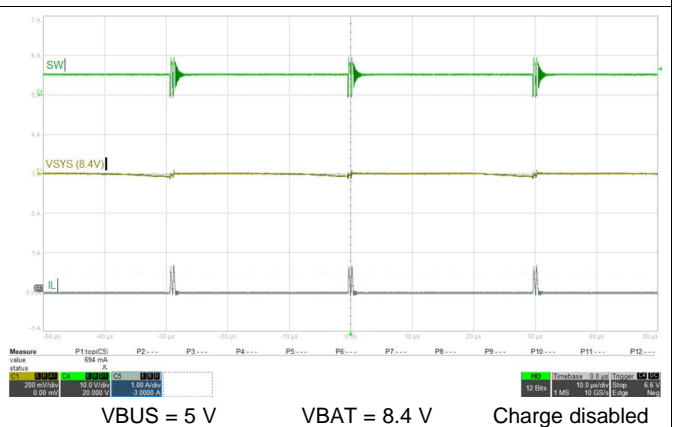


图 75. Boost Mode PFM Switching

$C_{VBUS} = 1 \mu\text{F}$, $C_{PMID} = 10 \mu\text{F}$, $C_{BAT} = 10 \mu\text{F}$, $C_{SNS} = 44 \mu\text{F}$, $L = \text{DFE252012F-1R0}$ (1 μH) (unless otherwise specified)

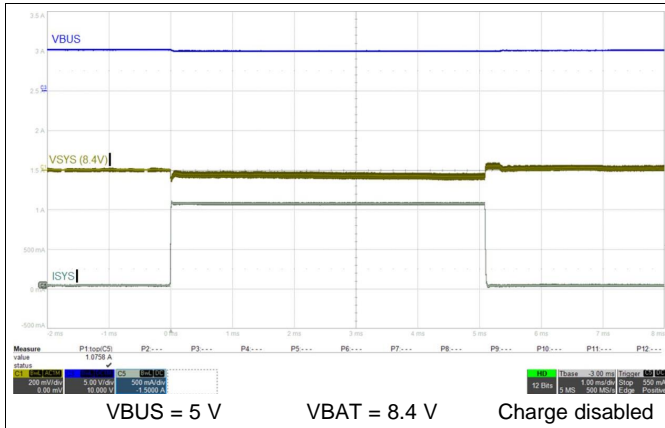


图 76. System Load Transient Response

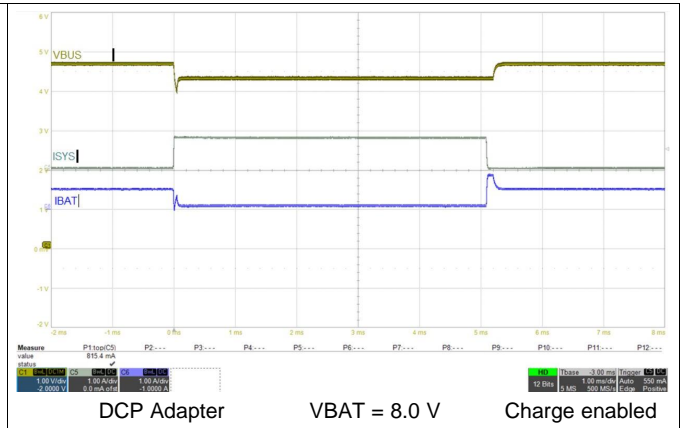


图 77. VINDPM Transient Response

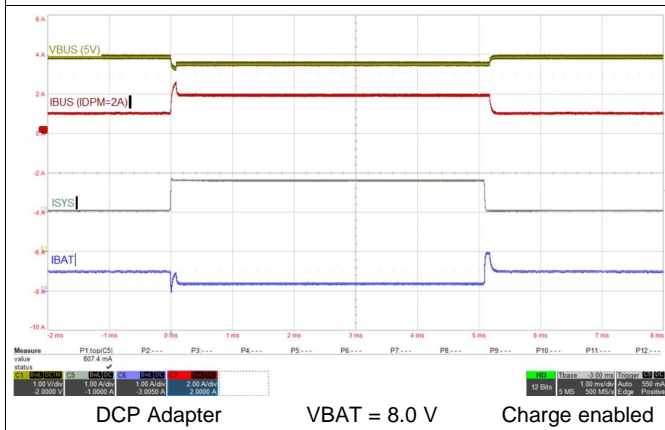


图 78. IINDPM Transient Response

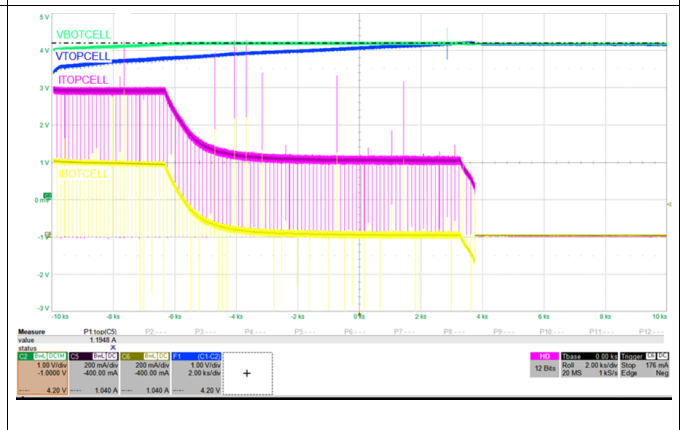


图 79. Charge Cycle with the Bottom Cell Voltage Higher Than the Top Cell Voltage

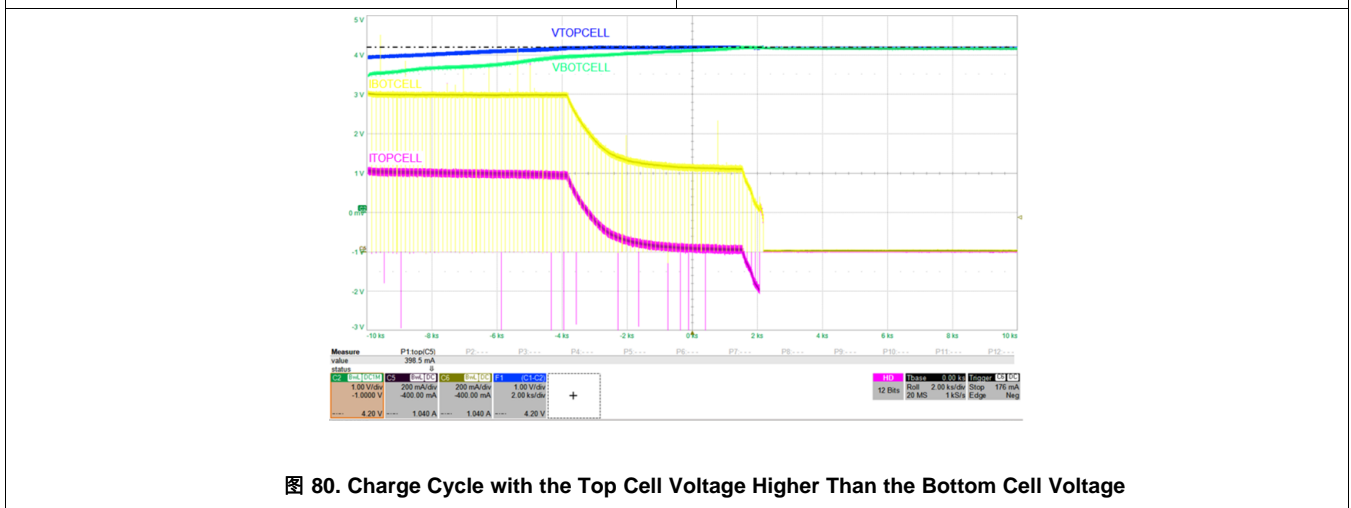


图 80. Charge Cycle with the Top Cell Voltage Higher Than the Bottom Cell Voltage

10 Power Supply Recommendations

In order to provide an output voltage, the device requires a power supply between 3.9-V and 6.2-V input with at least 500-mA current rating connected to VBUS or a 2-cell Li-Ion battery with voltage > VBAT_UVLO connected to BAT..

11 Layout

11.1 Layout Guidelines

The switching node rise and fall times should be minimized for minimum switching loss. Proper layout of the components to minimize high frequency current path loops is important to prevent electrical and magnetic field radiation and high frequency resonant problems. Here is a PCB layout priority list for proper layout. Layout PCB according to this specific order is essential.

1. Put SNS output capacitor as close to SNS and GND pins as possible. Ground connections need to be tied to the IC ground with a short copper trace connection or GND plane.
2. Place PMID input capacitor as close as possible to PMID pins and PGND pins and use shortest copper trace connection or GND plane.
3. Place inductor input terminal to SW pins as close as possible. Minimize the copper area of this trace to lower electrical and magnetic field radiation but make the trace wide enough to carry the input current. Minimize parasitic capacitance from this area to any other trace or plane.
4. Decoupling capacitors should be placed on the same side of and next to the IC and make trace connection as short as possible.
5. Route analog ground separately from power ground. Connect analog ground and connect power ground separately. Connect analog ground and power ground together using thermal pad as the single ground connection point. Or using a 0- Ω resistor to tie analog ground to power ground.
6. It is critical that the exposed thermal pad on the backside of the device package be soldered to the PCB ground. Ensure that there are sufficient thermal vias directly under the IC, connecting to the ground plane on the other layers.
7. Via size and number should be enough for a given current path.
8. Route MID as sensing trace away from switching nodes such as SW.

Refer to the EVM design and the [Layout Example](#) below for the recommended component placement with trace and via locations.

11.2 Layout Example

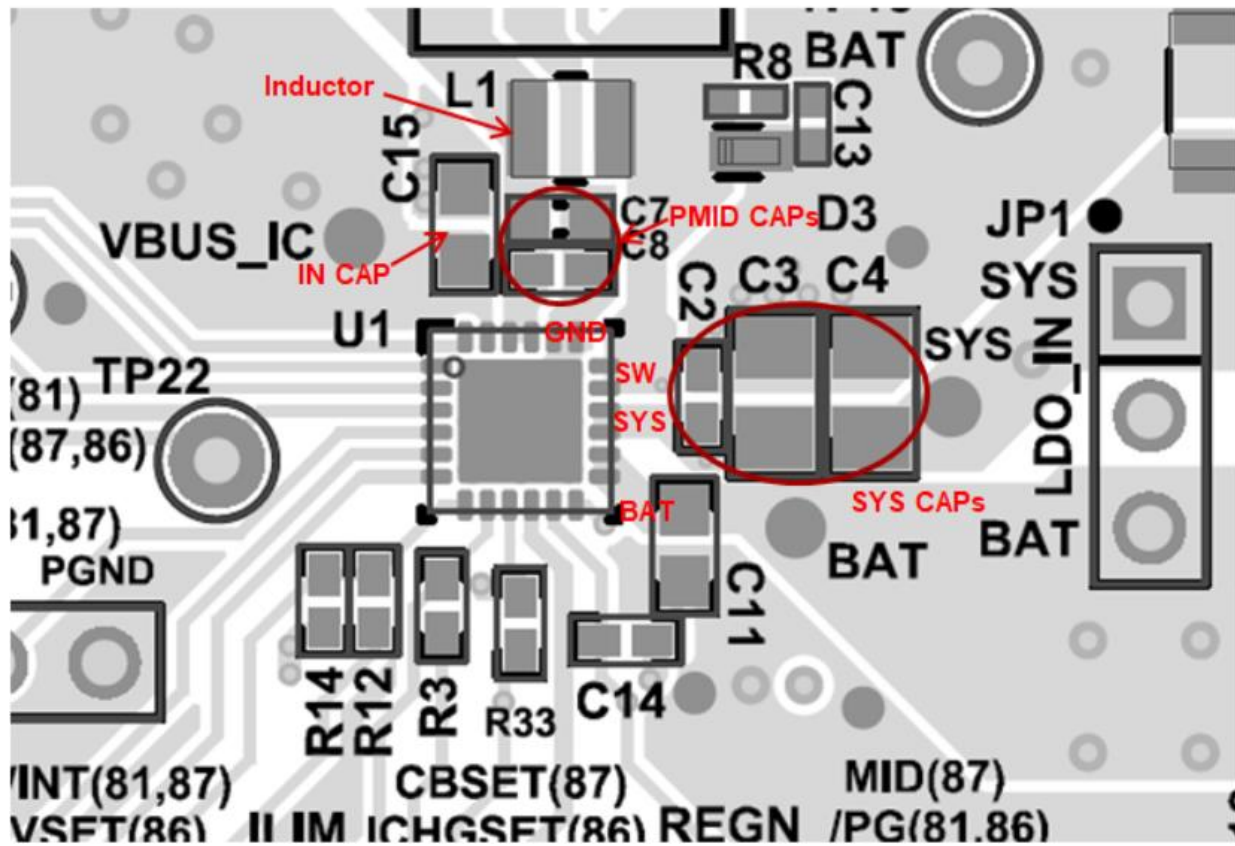


图 81. PCB Layout Example

12 器件和文档支持

12.1 器件支持

12.1.1 第三方产品免责声明

TI 发布的与第三方产品或服务有关的信息，不能构成与此类产品或服务或保修的适用性有关的认可，不能构成此类产品或服务单独或与任何 TI 产品或服务一起的表示或认可。

12.2 文档支持

12.2.1 相关文档

请参阅如下相关文档：

- [《BQ2588x 升压电池充电器评估模块用户指南》](#)

12.3 接收文档更新通知

要接收文档更新通知，请导航至 ti.com 上的器件产品文件夹。单击右上角的通知我进行注册，即可每周接收产品信息更改摘要。有关更改的详细信息，请查看任何已修订文档中包含的修订历史记录。

12.4 支持资源

[TI E2E™ support forums](#) are an engineer's go-to source for fast, verified answers and design help — straight from the experts. Search existing answers or ask your own question to get the quick design help you need.

Linked content is provided "AS IS" by the respective contributors. They do not constitute TI specifications and do not necessarily reflect TI's views; see TI's [Terms of Use](#).

12.5 商标

E2E is a trademark of Texas Instruments.

All other trademarks are the property of their respective owners.

12.6 静电放电警告



ESD 可能会损坏该集成电路。德州仪器 (TI) 建议通过适当的预防措施处理所有集成电路。如果不遵守正确的处理措施和安装程序，可能会损坏集成电路。

ESD 的损坏小至导致微小的性能降级，大至整个器件故障。精密的集成电路可能更容易受到损坏，这是因为非常细微的参数更改都可能会导致器件与其发布的规格不相符。

12.7 Glossary

[SLYZ022](#) — *TI Glossary*.

This glossary lists and explains terms, acronyms, and definitions.

13 机械、封装和可订购信息

以下页面包含机械、封装和可订购信息。这些信息是指定器件的最新可用数据。数据如有变更，恕不另行通知，且不会对此文档进行修订。如需获取此数据表的浏览器版本，请查阅左侧的导航栏。

PACKAGING INFORMATION

Orderable Device	Status (1)	Package Type	Package Drawing	Pins	Package Qty	Eco Plan (2)	Lead finish/ Ball material (6)	MSL Peak Temp (3)	Op Temp (°C)	Device Marking (4/5)	Samples
BQ25887RGER	ACTIVE	VQFN	RGE	24	3000	RoHS & Green	NIPDAU	Level-1-260C-UNLIM	-40 to 85	BQ25887	Samples
BQ25887RGET	ACTIVE	VQFN	RGE	24	250	RoHS & Green	NIPDAU	Level-1-260C-UNLIM	-40 to 85	BQ25887	Samples

(1) The marketing status values are defined as follows:

ACTIVE: Product device recommended for new designs.

LIFEBUY: TI has announced that the device will be discontinued, and a lifetime-buy period is in effect.

NRND: Not recommended for new designs. Device is in production to support existing customers, but TI does not recommend using this part in a new design.

PREVIEW: Device has been announced but is not in production. Samples may or may not be available.

OBSOLETE: TI has discontinued the production of the device.

(2) **RoHS:** TI defines "RoHS" to mean semiconductor products that are compliant with the current EU RoHS requirements for all 10 RoHS substances, including the requirement that RoHS substance do not exceed 0.1% by weight in homogeneous materials. Where designed to be soldered at high temperatures, "RoHS" products are suitable for use in specified lead-free processes. TI may reference these types of products as "Pb-Free".

RoHS Exempt: TI defines "RoHS Exempt" to mean products that contain lead but are compliant with EU RoHS pursuant to a specific EU RoHS exemption.

Green: TI defines "Green" to mean the content of Chlorine (Cl) and Bromine (Br) based flame retardants meet JS709B low halogen requirements of <=1000ppm threshold. Antimony trioxide based flame retardants must also meet the <=1000ppm threshold requirement.

(3) MSL, Peak Temp. - The Moisture Sensitivity Level rating according to the JEDEC industry standard classifications, and peak solder temperature.

(4) There may be additional marking, which relates to the logo, the lot trace code information, or the environmental category on the device.

(5) Multiple Device Markings will be inside parentheses. Only one Device Marking contained in parentheses and separated by a "~" will appear on a device. If a line is indented then it is a continuation of the previous line and the two combined represent the entire Device Marking for that device.

(6) Lead finish/Ball material - Orderable Devices may have multiple material finish options. Finish options are separated by a vertical ruled line. Lead finish/Ball material values may wrap to two lines if the finish value exceeds the maximum column width.

Important Information and Disclaimer:The information provided on this page represents TI's knowledge and belief as of the date that it is provided. TI bases its knowledge and belief on information provided by third parties, and makes no representation or warranty as to the accuracy of such information. Efforts are underway to better integrate information from third parties. TI has taken and continues to take reasonable steps to provide representative and accurate information but may not have conducted destructive testing or chemical analysis on incoming materials and chemicals. TI and TI suppliers consider certain information to be proprietary, and thus CAS numbers and other limited information may not be available for release.

In no event shall TI's liability arising out of such information exceed the total purchase price of the TI part(s) at issue in this document sold by TI to Customer on an annual basis.

TAPE AND REEL INFORMATION

QUADRANT ASSIGNMENTS FOR PIN 1 ORIENTATION IN TAPE


*All dimensions are nominal

Device	Package Type	Package Drawing	Pins	SPQ	Reel Diameter (mm)	Reel Width W1 (mm)	A0 (mm)	B0 (mm)	K0 (mm)	P1 (mm)	W (mm)	Pin1 Quadrant
BQ25887RGER	VQFN	RGE	24	3000	330.0	12.4	4.25	4.25	1.15	8.0	12.0	Q2
BQ25887RGET	VQFN	RGE	24	250	180.0	12.4	4.25	4.25	1.15	8.0	12.0	Q2

TAPE AND REEL BOX DIMENSIONS


*All dimensions are nominal

Device	Package Type	Package Drawing	Pins	SPQ	Length (mm)	Width (mm)	Height (mm)
BQ25887RGER	VQFN	RGE	24	3000	367.0	367.0	35.0
BQ25887RGET	VQFN	RGE	24	250	210.0	185.0	35.0

RGE 24

GENERIC PACKAGE VIEW

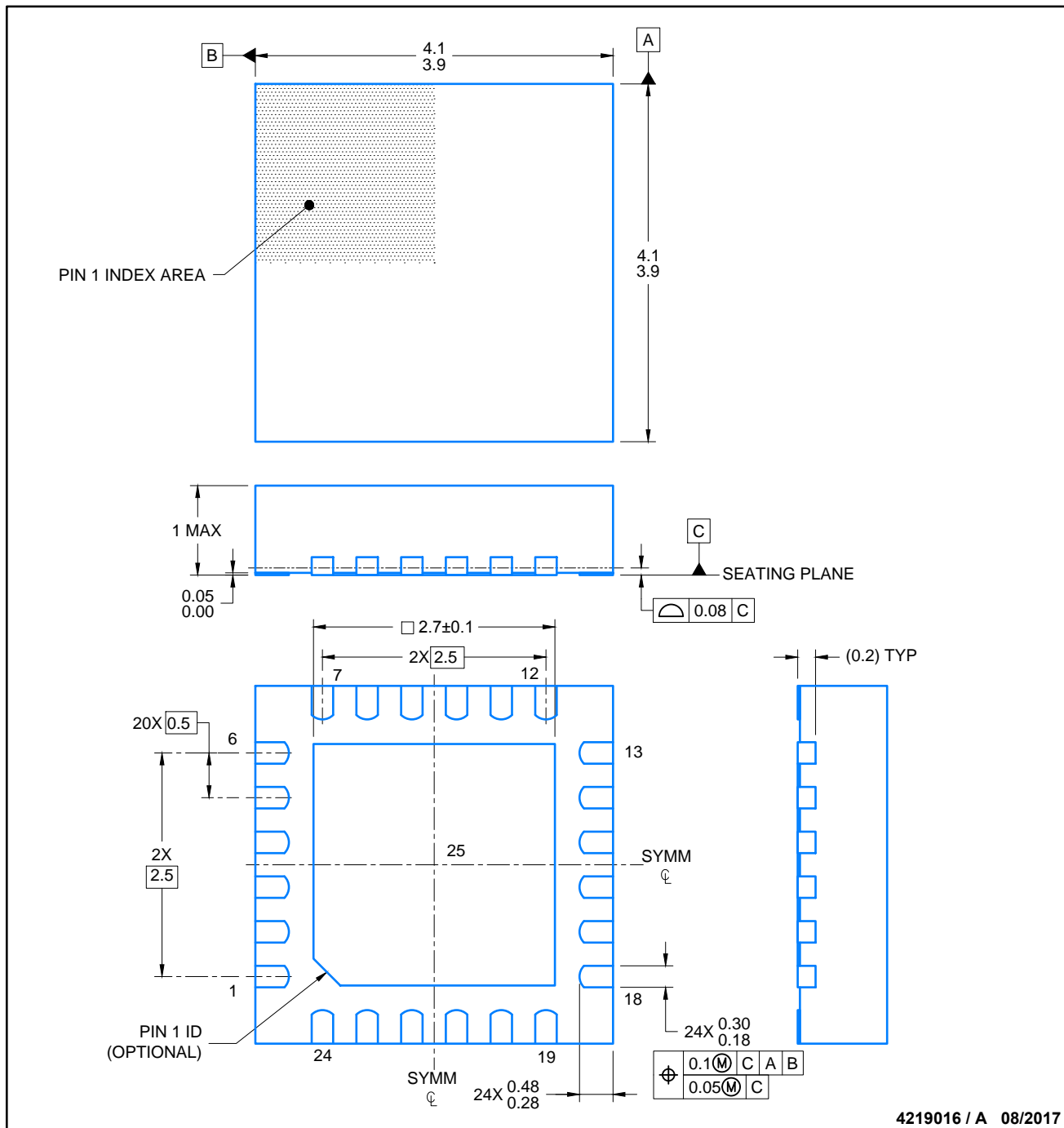
VQFN - 1 mm max height

PLASTIC QUAD FLATPACK - NO LEAD



Images above are just a representation of the package family, actual package may vary.
Refer to the product data sheet for package details.

4204104/H



NOTES:

1. All linear dimensions are in millimeters. Any dimensions in parenthesis are for reference only. Dimensioning and tolerancing per ASME Y14.5M.
2. This drawing is subject to change without notice.
3. The package thermal pad must be soldered to the printed circuit board for thermal and mechanical performance.



LAND PATTERN EXAMPLE
SCALE: 20X



4219016 / A 08/2017

NOTES: (continued)

4. This package is designed to be soldered to a thermal pad on the board. For more information, see Texas Instruments literature number SLUA271 (www.ti.com/lit/slua271).
5. Solder mask tolerances between and around signal pads can vary based on board fabrication site.



4219016 / A 08/2017

NOTES: (continued)

- 6. Laser cutting apertures with trapezoidal walls and rounded corners may offer better paste release. IPC-7525 may have alternate design recommendations..

重要声明和免责声明

TI 提供技术和可靠性数据（包括数据表）、设计资源（包括参考设计）、应用或其他设计建议、网络工具、安全信息和其他资源，不保证没有瑕疵且不做任何明示或暗示的担保，包括但不限于对适销性、某特定用途方面的适用性或不侵犯任何第三方知识产权的暗示担保。

这些资源可供使用 TI 产品进行设计的熟练开发人员使用。您将自行承担以下全部责任：(1) 针对您的应用选择合适的 TI 产品，(2) 设计、验证并测试您的应用，(3) 确保您的应用满足相应标准以及任何其他安全、安保或其他要求。这些资源如有变更，恕不另行通知。TI 授权您仅可将这些资源用于研发本资源所述的 TI 产品的应用。严禁对这些资源进行其他复制或展示。您无权使用任何其他 TI 知识产权或任何第三方知识产权。您应全额赔偿因在这些资源的使用中对 TI 及其代表造成的任何索赔、损害、成本、损失和债务，TI 对此概不负责。

TI 提供的产品受 TI 的销售条款 (<https://www.ti.com.cn/zh-cn/legal/termsofsale.html>) 或 [ti.com.cn](https://www.ti.com.cn) 上其他适用条款/TI 产品随附的其他适用条款的约束。TI 提供这些资源并不会扩展或以其他方式更改 TI 针对 TI 产品发布的适用的担保或担保免责声明。

邮寄地址：上海市浦东新区世纪大道 1568 号中建大厦 32 楼，邮政编码：200122
Copyright © 2021 德州仪器半导体技术（上海）有限公司