

# BQ25968 具有 ADC 的 I<sup>2</sup>C 控制型单节电池高效率 6A 开关电容快速充电器

## 1 特性

- 97% 高效功率级可实现 6A 快速充电
- 正在申请专利的开关电容充电器架构经过优化，可实现 50% 的占空比
  - 输入电压为电池电压的 2 倍 ( 3.5 V 至 4.65 V )
  - 输出电流为输入电流的 2 倍 ( 高达 4.5A )
  - 降低电缆的功率损耗
- 可实现安全运行的集成可编程保护功能
  - 输入过压保护 (BUS\_OVP)
  - 具有可调警报的输入过流保护 (BUS\_OCP)
  - 使用外部 OVP FET 实现输入过压保护 ( VAC\_OVP 高达 17V )
  - 具有可调警报的电池过压保护 (BAT\_OVP)
  - 输出过压保护 (VOUT\_OVP)
  - 具有可调警报的输入过流保护 (BUS\_OCP)
  - 具有可调警报的 IBAT 过流保护 (BAT\_OCP)
  - 开关 MOSFET 逐周期电流限制
  - 电池温度监测
  - 连接器温度监控
- 用于系统优化的可编程设置
  - 为中断提供了 STAT、FLAG 和 MASK 选项

- ADC 读数和配置
- 集成式 16 位有效模数转换器 (ADC)
  - ±0.5% 总线电压
  - ±0.5% VOUT 电压
  - -0.4% 至 0.2% 电池电压 ( 使用差分检测 )
  - ±1.5% 电池电流 ( 6A, 使用外部 R<sub>SENSE</sub> )
  - ±1% 电池温度
  - ±1% 总线温度
  - ±4°C 裸片温度

## 2 应用

- 智能手机
- 平板电脑

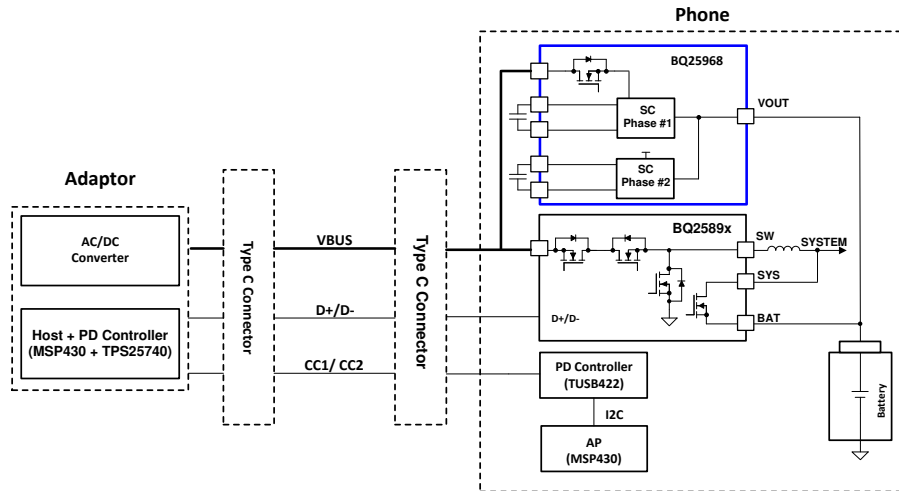
## 3 说明

BQ25968 是使用开关电容器架构且效率达 97% 的高效 6A 电池充电解决方案。该架构和集成式 FET 经过优化，可实现 50% 占空比，这就允许电缆电流为向电池提供的电流的一半，从而降低充电电缆上的损耗并限制应用中的温度升高。

### 器件信息(1)

器件型号	封装	封装尺寸 ( 标称值 )
BQ25968	DSBGA (56)	3.00mm x 3.20mm

(1) 如需了解所有可用封装，请参阅产品说明书末尾的可订购产品附录。



简化版应用



## Table of Contents

<b>1 特性</b> .....	1	9.5 Programming.....	28
<b>2 应用</b> .....	1	9.6 Register Maps.....	30
<b>3 说明</b> .....	1	<b>10 Application and Implementation</b> .....	72
<b>4 Revision History</b> .....	2	10.1 Application Information.....	72
<b>5 说明 (续)</b> .....	3	10.2 Typical Application.....	72
<b>6 Device Comparison Table</b> .....	4	<b>11 Power Supply Recommendations</b> .....	77
<b>7 Pin Configuration and Functions</b> .....	4	<b>12 Layout</b> .....	78
<b>8 Specifications</b> .....	7	12.1 Layout Guidelines.....	78
8.1 Absolute Maximum Ratings.....	7	12.2 Layout Example.....	78
8.2 ESD Ratings.....	7	<b>13 Device and Documentation Support</b> .....	82
8.3 Recommended Operating Conditions.....	7	13.1 Device Support.....	82
8.4 Thermal Information.....	8	13.2 Documentation Support.....	82
8.5 Electrical Characteristics.....	8	13.3 接收文档更新通知.....	82
8.6 Typical Characteristics.....	13	13.4 支持资源.....	82
<b>9 Detailed Description</b> .....	16	13.5 Trademarks.....	82
9.1 Overview.....	16	13.6 静电放电警告.....	82
9.2 Functional Block Diagram.....	17	13.7 术语表.....	83
9.3 Feature Description.....	17	<b>14 Mechanical, Packaging, and Orderable Information</b> .....	83
9.4 Device Functional Modes.....	25		

## 4 Revision History

注：以前版本的页码可能与当前版本的页码不同

Changes from Revision * (April 2020) to Revision A (February 2021)	Page
• 更新了整个文档中的表格、图和交叉参考的编号格式.....	1
• 在“特性”中将“开关电容充电器架构经过优化，可实现 50% 的占空比”更改为“正在申请专利的开关电容充电器架构经过优化，可实现 50% 的占空比”.....	1

## 5 说明 (续)

两相架构可提高充电效率并降低输入和输出电容要求。当与 BQ25790 等主充电器配合使用时，该系统能够通过预充电（通过 CC、CV 和终端进行）以最低的功耗实现最快的充电速度。

两相架构可降低输入电容器要求并减少输出电压纹波。当与 BQ2589x 等标准充电器配合使用时，该系统能够通过预充电（通过 CC、CV 和终端进行）以最低的功耗实现最快的充电速度。

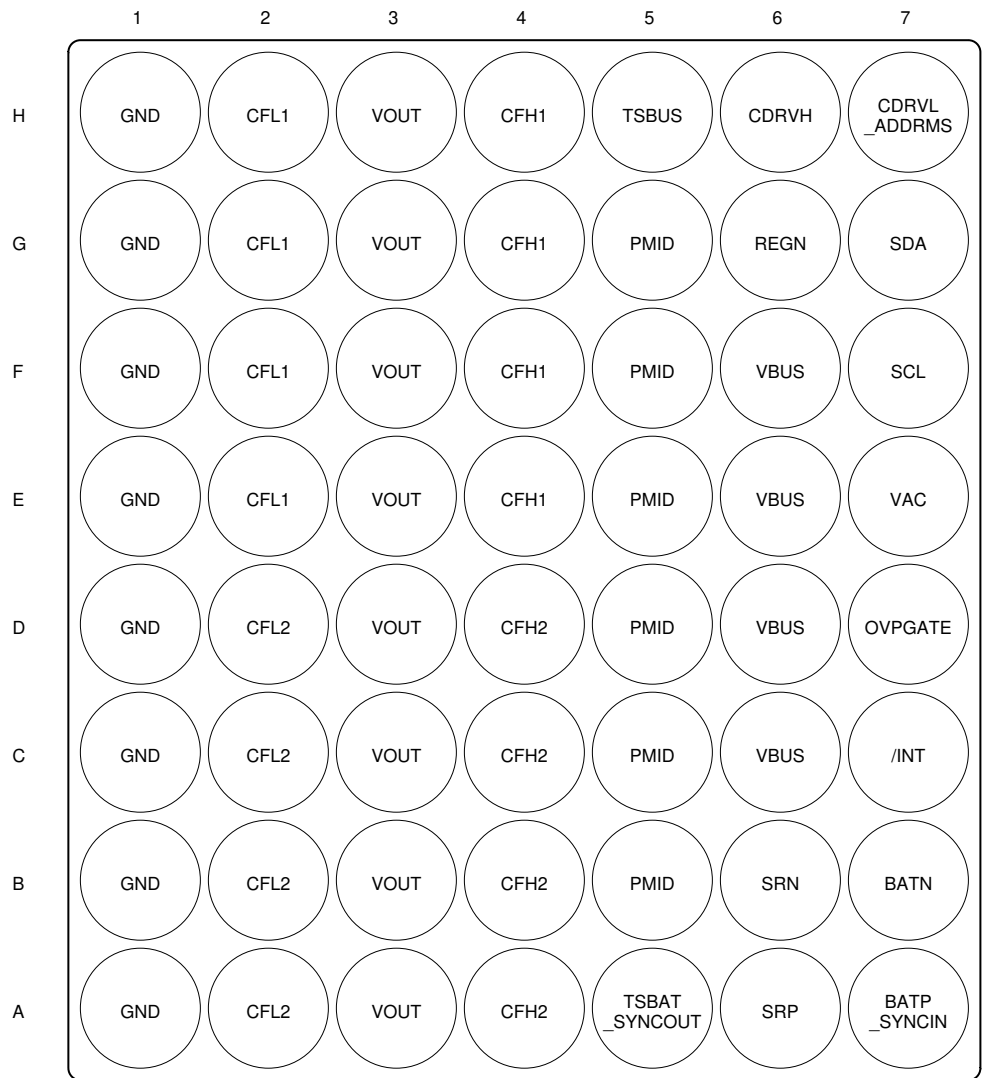
该器件集成了确保安全充电的所有必要保护特性，包括输入过压和过流保护、输出过压和过流保护、电池和电缆温度检测以及裸片温度监测。

该器件包含一个 12 位有效模数转换器 (ADC)，以通过智能壁式适配器或移动电源提供总线电压、总线电流、输出电压、电池电压、电池电流、总线温度、电池温度、裸片温度和管理电池充电所需的其他计算测量值。

## 6 Device Comparison Table

FUNCTION	BQ25970	BQ25971	BQ25968
Device ID	0000	0001	0110
External OVPFET Control	Yes. VAC up to 40 V	No	Yes. VAC up to 40 V
IBAT, VBAT regulation	Yes, through external OVPFET	No	No
VDROP OVP protection during regulation	Yes	No	No
Recommended charging current	8A	8A	6A

## 7 Pin Configuration and Functions



Not to scale

图 7-1. YFF Package 56-Pin DSBGA Bottom View

表 7-1. Pin Functions

PIN		TYPE <sup>(1)</sup>	DESCRIPTION
NO.	NAME		
A1, B1, C1, D1, E1, F1, G1, H1	GND	P	Power ground.
A2, B2, C2, D2	CFL2	P	Switched cap flying cap connection. Connect three 22- $\mu$ F capacitors in parallel between this pin and CFH2.
A3, B3, C3, D3, E3, F3, G3, H3	VOUT	P	Device power output. Connect a 22- $\mu$ F capacitor between this pin and GND.
A4, B4, C4, D4	CFH2	P	Switched cap flying cap connection. Connect a three 22- $\mu$ F capacitors in parallel between this pin and CFL2. Other capacitor values and number can be used, and will affect VOUT ripple and efficiency.
A5	TSBAT_SYNCOUT	AIO	Battery temperature voltage input and Master Mode SYNCOUT. Requires external resistor divider, NTC, and voltage reference. See the TSBAT section for choosing the resistor divider values. If the device is in Master Mode, connect this pin to SYNCIN of the Slave device.
A6	SRP	AI	Positive input for low side battery current sensing. Place a 2-m $\Omega$ or 5-m $\Omega$ R <sub>SENSE</sub> between SRN and SRP. Short to SRN and SRP together and GND if not used. Since the device senses the current by measuring the voltage drop across R <sub>SENSE</sub> , if other than 2-m $\Omega$ or 5-m $\Omega$ R <sub>SENSE</sub> is used, the host device will have to scale the IBAT_ADC reading appropriately.
A7	BATP_SYNCIN	AI	Positive input for battery voltage sensing. Connect to positive terminal of battery pack. Place 100- $\Omega$ to 1-k $\Omega$ series resistance between pin and positive terminal. If configured as a Slave for parallel configuration, this pin functions as SYNCIN, and connect to SYNCOUT of Master, and connect a 1-k $\Omega$ pullup resistor to REGN.
B5, C5, D5, E5, F5, G5	PMID	P	PMID is the input to the switched cap power stage. Connect 10- $\mu$ F cap to PMID.
B6	SRN	AI	Negative input for low side battery current sensing. Place a 2-m $\Omega$ or 5-m $\Omega$ R <sub>SENSE</sub> between SRN and SRP. Short to SRP and SRN together and to GND if not used.
B7	BATN	AI	Negative input for batter voltage sensing. Connect to negative terminal of battery pack. Place 100- $\Omega$ /1-k series resistance between pin and negative terminal.
C6, D6, E6, F6	VBUS	P	Device power input. Place a 1- $\mu$ F bypass cap to GND as close as possible to these pins.
C7	INT	DO	Open drain, active low interrupt output. Pull up to voltage with 10-k $\Omega$ resistor. Normally high, the device asserts low to report status and faults. INT is pulsed low for t <sub>INT</sub> .
D7	OVPGATE	AO	External OVP FET N-channel gate drive pin. A minimum of 8-nC of capacitance is required from the OVP FET Gate to Source. Float if not in use.
E2, F2, G2, H2	CFL1	P	Switched cap flying cap connection. Connect three 22- $\mu$ F caps in parallel between this pin an CFH1. Other capacitor values and number can be used, and will affect VOUT ripple and efficiency.
E4, F4, G4, H4	CFH1	P	Switched cap flying cap connection. Connect three 22- $\mu$ F caps in parallel between this pin and CFL1. Other capacitor values and number can be used, and will affect VOUT ripple and efficiency.
E7	VAC	AI	Device power input. Tie to VBUS if BQ25971 (no external OVP FET).
F7	SCL	DIO	I <sup>2</sup> C interface data. Pull up to voltage with 1-k $\Omega$ resistor.
G6	REGN	AO	LDO output. Connect a 4.7- $\mu$ F cap between this pin and GND.
G7	SDA	DI	I <sup>2</sup> C interface clock. Pull up to voltage with 1-k $\Omega$ resistor.
H5	TSBUS	AI	BUS temperature voltage input. Requires external resistor divider, NTC, and voltage reference.
H6	CDRVH	AIO	Charge pump for gate drive. Connect a 0.22- $\mu$ F cap between CDRVH and CDRVL.

表 7-1. Pin Functions (continued)

PIN		TYPE <sup>(1)</sup>	DESCRIPTION
NO.	NAME		
H7	CDRVL_ADDRMS	AIO	Charge pump for gate drive. Connect a 0.22- $\mu$ F cap between CDRVH and CDRVL. During POR, this pin is used to assign the address of the device and the mode of the device as Standalone, Master, or Slave. See 表 9-2 in 节 9.3.10 for a table of functionality.

(1) Type: P = Power , AIO = Analog Input/Output , AI = Analog Input, DO = Digital Output, AO = Analog Output, DIO = Digital Input/Output

## 8 Specifications

### 8.1 Absolute Maximum Ratings

over operating free-air temperature range (unless otherwise noted)<sup>(1)</sup>

		MIN	MAX	UNIT
Voltage	VAC	- 2	40	V
Voltage	VBUS	- 2	20	V
	PMID	- 0.3	20	V
	CFL1, CFL2, VOUT	- 1.4	7	V
	SRP, SRN	- 0.3	1.8	V
	BATP_SYNCIN, BATN	- 0.3	6	V
	OVPGATE - VBUS	- 0.3	14	V
	INT, SDA, SCL, CDRVL_ADDRMS, REGN	- 0.3	6	V
	CDRVH	- 0.3	20	V
	TSBUS, TSBAT_SYNCOUT	- 0.3	6	V
Voltage	CFH1, CFH2, while maintaining CFH-VOUT = 7VMAX	0	14	V
Maximum Voltage Difference	SRP-SRN	- 0.5	0.5	V
	VOUT - VBUS	- 16	6	V
Output Sink Current	INT		6	mA
Junction Temperature, T <sub>J</sub>		- 40	150	°C
Storage Temperature, T <sub>STG</sub>		- 65	150	°C

- (1) Stresses beyond those listed under *Absolute Maximum Ratings* may cause permanent damage to the device. These are stress ratings only, which do not imply functional operation of the device at these or any other conditions beyond those indicated under *Recommended Operating Conditions*. Exposure to absolute-maximum-rated conditions for extended periods may affect device reliability.

### 8.2 ESD Ratings

		VALUE	UNIT
V <sub>(ESD)</sub> Electrostatic discharge	Human-body model (HBM), per ANSI/ESDA/JEDEC JS-001 <sup>(1)</sup>	±2000	V
	Charged-device model (CDM), per JEDEC specification JESD22-C101 <sup>(2)</sup>	±500	

- (1) JEDEC document JEP155 states that 500-V HBM allows safe manufacturing with a standard ESD control process.  
(2) JEDEC document JEP157 states that 250-V CDM allows safe manufacturing with a standard ESD control process.

### 8.3 Recommended Operating Conditions

over operating free-air temperature range (unless otherwise noted)

		MIN	MAX	UNIT
Voltage	VAC		12	V
	VBUS		12	V
	VOUT	3	6	V
	CFH1-VOUT, CFL1, CFH2-VOUT, CFL2		7	V
	BATP_SYNCIN, BATN	0	6	V
	SRP-SRN	- 0.05	0.05	V
	SRN	- 0.1		V
	TSBAT_SYNCOUT, TSBUS	0	3	V
	SDA, SCL, CDRVL_ADDRMS, INT, CHGSTAT	0	5	V

### 8.3 Recommended Operating Conditions (continued)

over operating free-air temperature range (unless otherwise noted)

		MIN	MAX	UNIT
$I_{VOUT}$	Current	0	8	A

### 8.4 Thermal Information

THERMAL METRIC		BQ25968	UNIT
		YFF (DSBGA)	
		56 PIN	
$R_{\theta JA}$	Junction-to-ambient thermal resistance	47.6	°C/W
$R_{\theta JC(top)}$	Junction-to-case (top) thermal resistance	10.3	°C/W
$R_{\theta JB}$	Junction-to-board thermal resistance	0.2	°C/W
$\omega_{JT}$	Junction-to-top characterization parameter	0.1	°C/W
$\omega_{JB}$	Junction-to-board characterization parameter	10.4	°C/W

### 8.5 Electrical Characteristics

over operating free-air temperature range of -40°C to 85°C (unless otherwise noted)

PARAMETER		TEST CONDITIONS	MIN	TYP	MAX	UNIT
<b>SUPPLY CURRENTS</b>						
$I_{Q\_VBUS}$	VBUS Operating Quiescent Current	ADC Disabled, Charge Disabled, OVPGATE not used		285		μA
		ADC Disabled, Charge Disabled, OVPGATE used		345		μA
		ADC Enabled (fastest mode), Charge Disabled		400		μA
		ADC Enabled (slowest mode), Charge Disabled		385		μA
$I_{Q\_BAT}$	Battery Only Quiescent Current	ADC Disabled, Charge Disabled, VIN Not Present		8	18	μA
		ADC Enabled (slowest mode), Charge Disabled, VBUS Not Present		385		μA
		ADC Enabled (fastest mode), Charge Disabled, VBUS Not Present		385		μA
<b>RESISTANCES</b>						
$R_{QB\_ON}$	VBUS to PMID On Resistance	VBUS = 9 V		6	8	mΩ
$R_{QCH1\_ON}$	On resistance of QCH1	VPMID = 9 V		22	27	mΩ
$R_{QDH1\_ON}$	On resistance of QDH1	CFLY = 4.5 V		10	16	mΩ
$R_{QCL1\_ON}$	On resistance of QCL1	VOUT = 4.5 V		7	14	mΩ
$R_{QDL1\_ON}$	On resistance of QDL1	CFLY = 4.5 V		8	14	mΩ
$R_{QCH2\_ON}$	On resistance of QCH2	VPMID = 9 V		22	27	mΩ
$R_{QDH2\_ON}$	On resistance of QDH2	CFLY = 4.5 V		10	16	mΩ
$R_{QCL2\_ON}$	On resistance of QCL2	VOUT = 4.5 V		7	14	mΩ
$R_{QDL2\_ON}$	On resistance of QDL2	CFLY = 4.5 V		8	14	mΩ
$R_{VBUS\_PD}$	VBUS pull-down resistance			6		kΩ
$R_{VAC\_PD}$	VAC pull-down resistance			130		Ω
<b>INTERNAL THRESHOLDS</b>						
$VBUS_{UVLO}$	Rising	VBUS Rising			3.3	V



## 8.5 Electrical Characteristics (continued)

over operating free-air temperature range of -40°C to 85°C (unless otherwise noted)

PARAMETER		TEST CONDITIONS	MIN	TYP	MAX	UNIT
V <sub>AC_UVLO</sub>	Rising	VAC Rising			3.3	V
	Falling Hysteresis			300		mV
V <sub>OVPGATE</sub>	External FET Gate Drive Voltage, Measured from Gate to Source, with minimum 8 nF CGS	VAC = 8 V		10		V
V <sub>OUT_UVLO</sub>	Rising				2.3	V
	Falling Hysteresis			100		mV
V <sub>AC_PRESEN T</sub>	Rising				3.5	V
	Falling Hysteresis			300		mV
V <sub>BUS_PRES E NT</sub>	Rising				2.85	V
	Falling Hysteresis			500		mV
V <sub>OUT_PRES E NT</sub>	Rising			2.3	2.85	V
	Falling Hysteresis			100		mV
T <sub>SHUT</sub>	Rising Internal (T <sub>J</sub> ) Shutdown			150		°C
	Falling Hysteresis			30		°C
<b>PROTECTION and ALARMS THRESHOLD AND ACCURACY</b>						
V <sub>OUT_OVP</sub>	VOUT OVP rising threshold		4.8	4.9	5	V
V <sub>DROP</sub>	VDROP rising threshold	Adjustable in Register 0x05h, bit 4 = 0		300		mV
V <sub>DROP</sub>	VDROP rising threshold	Adjustable in Register 0x05h, bit 4 = 1		400		mV
V <sub>BAT_OVP</sub>	VBAT Over-Voltage Range		4.2		4.65	V
	VBAT Over-Voltage Step Size	Adjustable in Register 0x00h		10		mV
	VBAT Over-Voltage Accuracy		- 1%		1%	
V <sub>BAT_ALM</sub>	VBAT Alarm Range	Adjustable in Register 0x01h	4.2		4.65	V
	VBAT Alarm Step Size			25		mV
	VBAT Alarm Hysteresis	Falling		50		mV
	VBAT Alarm Comparator Accuracy	From VBAT = 3.5 V to 4.4 V	- 0.4%		0.4%	
I <sub>BAT_OCP</sub>	IBAT_OCP Range	Adjustable in Register 0x02h	0		10	A
	IBAT_OCP Step Size			50		mA
	IBAT_OCP Comparator Accuracy	IBAT = 6 A	- 5%		5%	
I <sub>BATOCP_ALM</sub>	IBATOCP_ALM Range	Adjustable in Register 0x03h	0		10	A
	IBATOCP_ALM Step Size			50		mA
	IBATOCP_ALM Hysteresis	Falling		50		mA
	IBATOCP_ALM Comparator Accuracy	IBAT = 6 A and 9 A	- 1%		1%	
I <sub>BATUCP_ALM</sub>	IBATUCP_ALM Range	Adjustable in Register 0x04h	0		10	A
	IBATUCP_ALM Step Size			50		mA
	IBATUCP_ALM Hysteresis	Rising		50		mA
	IBATUCP_ALM Comparator Accuracy	IBAT = 3 A	- 2%		2%	
V <sub>VAC_OVP</sub>	VAC_OVP Range	Adjustable in Register 0x05h	6.5		17	V
	VAC_OVP Step Size	Step size valid for 11 V through 17 V only		1		V
	VAC_OVP Comparator Accuracy	Accuracy for 6.5 V	- 2%		2%	
	VAC_OVP Comparator Accuracy	Accuracy for 11 V through 17 V	- 2%		2%	

## 8.5 Electrical Characteristics (continued)

over operating free-air temperature range of -40°C to 85°C (unless otherwise noted)

PARAMETER		TEST CONDITIONS	MIN	TYP	MAX	UNIT
V <sub>BUS_OVP</sub>	VBUS_OVP Range	Adjustable in Register 0x06h, 250 mV typical hysteresis	6		12.35	V
	VBUS_OVP Step Size			50		mV
	VBUS_OVP Comparator Accuracy	VBUS = 10 V	- 1%		1%	
V <sub>BUSOVP_ALM</sub>	VBUSOVP_ALM Range	Adjustable in Register 0x07h	6		12.35	mV
	VBUSOVP_ALM Step Size			50		mV
	VBUSOVP_ALM Hysteresis	Falling		50		mV
	VBUSOVP_ALM Comparator Accuracy		- 0.5%		0.5%	
I <sub>BUS_OCP</sub>	IBUS_OCP Range	Adjustable in Register 0x08h	0		4.75	A
	IBUS_OCP Step Size			50		mA
	IBUS_OCP Comparator Accuracy	3 A	- 5%		5%	
I <sub>BUS_UCP</sub>	IBUS_UCP Rising, IBAT must reach this value before the SS timeout or Switching Stops, Protection disabled until IBUS Current Reaches this Value	Adjustable in Register 0x2Bh, bit 2 = 0		300	375	mA
I <sub>BUS_UCP</sub>	IBUS_UCP Rising, IBAT must reach this value before the SS timeout or Switching Stops, Protection disabled until IBUS Current Reaches this Value	Adjustable in Register 0x2Bh, bit 2 = 1		500	575	mA
I <sub>BUS_UCP</sub>	IBUS_UCP Falling, Switching stops when IBUS current reaches this value	Adjustable in Register 0x2Bh, bit 2 = 0	10	150		mA
	IBUS_UCP Falling, Switching stops when IBUS current reaches this value	Adjustable in Register 0x2Bh, bit 2 = 1	100	250		mA
I <sub>BUSOCP_ALM</sub>	IBUSOCP_ALM Range	Adjustable in Register 0x09h	0		4.95	A
	IBUSOCP_ALM Step Size			50		mA
	IBUSOCP_ALM Hysteresis	Falling		50		mA
	IBUSOCP_ALM Comparator Accuracy	IBUS = 3 A (0°C to 85°C)	- 4%		4%	
TS <sub>BAT_FLT</sub> TS <sub>BUS_FLT</sub>	TSBUS and TSBAT voltage range		0%		75%	
	TSBUS and TSBAT Threshold Step Size		0%		0.1953%	
	TSBUS and TSBAT Comparator Accuracy		- 1%		1%	
	TSBUS and TSBAT Falling Hysteresis			4%		
<b>TIMINGS</b>						
f <sub>SW</sub>	Switching Frequency	Register set to 500 kHz in Register 0x0Bh		500		kHz
t <sub>VAC_OVP</sub>	VAC OVP reaction time			0.1		μs
t <sub>VOUT_OVP</sub>	VAC OVP reaction time			5.5		μs
t <sub>VAC_PD</sub>	VAC Pulldown duration			400		ms
t <sub>VBUS_OVP</sub>	VBUS OVP reaction time (Note: The deglitch time is increased during regulation)	Not in regulation		1		μs
t <sub>IBUS_OCP</sub>	IBUS OCP reaction time (Note: The deglitch time is increased during regulation)	Not in regulation		75		μs
t <sub>IBUS_UCP</sub>	IBUS UCP falling reaction time (Note: The deglitch time is increased during regulation)	Not in regulation. Adjustable in Register 0x2Eh, bit 4 = 0		10		μs

## 8.5 Electrical Characteristics (continued)

over operating free-air temperature range of -40°C to 85°C (unless otherwise noted)

PARAMETER		TEST CONDITIONS	MIN	TYP	MAX	UNIT
t <sub>IBUS_UCP</sub>	IBUS UCP falling reaction time (Note: The deglitch time is increased during regulation)	Not in regulation. Adjustable in Register 0x2Eh, bit 4 = 1		10		ms
t <sub>VDROP</sub>	VDROP rising threshold deglitch (Note: The deglitch time is increased during regulation)	Not in regulation. Adjustable in Register 0x2Eh, bit 3 = 0		10		μs
t <sub>VDROP</sub>	VDROP rising threshold deglitch (Note: The deglitch time is increased during regulation)	Not in regulation. Adjustable in Register 0x2Eh, bit 3 = 1		5		ms
t <sub>VBAT_OVP</sub>	VBAT OVP reaction time			0		μs
		Deglitch during regulation		5		ms
t <sub>VOUT_OVP</sub>	VOUT OVP reaction time			4		μs
t <sub>IBAT_OCP</sub>	IBAT OCP reaction time			500		μs
		Deglitch during regulation		5		ms
t <sub>INT</sub>	Duration that $\overline{\text{INT}}$ is pulled low when an event occurs			256		μs
t <sub>REG_TIMEOUT</sub>	If the part is in regulation, but below V <sub>DRIP_OVP</sub> for this amount of time, the part will stop switching.			650		ms
t <sub>INT_REG DEGL</sub>	Deglitch when $\overline{\text{INT}}$ is pulled low after an event occurs	Rising		100		ms
		Falling		5		ms
T <sub>ALM_DEBOUNCE</sub>	Time between consecutive faults for ALM indication			120		ms
t <sub>BUS_DETACH</sub>	IBUS threshold reaction time			1		μs
<b>ADC MEASUREMENT ACCURACY AND PERFORMANCE</b>						
t <sub>ADC_CONV</sub>	Conversion Time, Each Measurement	ADC_SAMPLE[1:0] = 00		24		ms
		ADC_SAMPLE[1:0] = 01		12		
		ADC_SAMPLE[1:0] = 10		6		
		ADC_SAMPLE[1:0] = 11		3		
ADC <sub>RES</sub>	Effective Resolution (0°C to 85°C)	ADC_SAMPLE[1:0] = 00		14		bits
		ADC_SAMPLE[1:0] = 01		13		
		ADC_SAMPLE[1:0] = 10		12		
		ADC_SAMPLE[1:0] = 11		11		
<b>ADC MEASUREMENT RANGES AND LSB</b>						
IBUS_ADC	ADC Bus Current Readable in Registers 0x16h and 0x17h	Range		0	5	A
		LSB		1		mA
IBUS_ADC	ADC Accuracy	1.5 A (0°C to 85°C)		-5%	5%	
IBUS_ADC	ADC Accuracy	3 A (0°C to 85°C)		-5%	5%	
VBUS_ADC	ADC Bus Voltage Readable in Registers 0x18h and 0x19h	Range		0	14	V
		LSB		1		mV
VBUS_ADC	ADC Bus Voltage	Accuracy for 8V, ADC_RATE = 00		-0.05%	0.5%	
VAC_ADC	ADC VAC Voltage Readable in Registers 0x1Ah and 0x1Bh	Range		0	14	V
		LSB		1		mV
VAC_ADC	ADC VAC Voltage	Accuracy for 8 V, ADC_RATE = 00		-0.5%	0.5%	
VOUT_ADC	ADC Output Voltage Readable in Registers 0x1Ch and 0x1Dh	Range		0	5	V
		LSB		1		mV

## 8.5 Electrical Characteristics (continued)

over operating free-air temperature range of - 40°C to 85°C (unless otherwise noted)

PARAMETER		TEST CONDITIONS	MIN	TYP	MAX	UNIT
VOUT_AD C	ADC Output Voltage	Accuracy for 4 V, ADC_RATE = 00	- 0.5%		0.5%	
VBAT_ADC	ADC Battery Voltage Readable in Registers 0x1Eh and 0x1Fh	Range	0		5	V
		LSB		1		mV
VBAT_ADC	ADC Battery Voltage	Accuracy for 3.5 V through 4.4 V, ADC_RATE = 00	- 0.4%		0.2%	
IBAT_ADC	ADC Battery Current Readable in Registers 0x20h and 0x21h	Range	0		10	A
		LSB with 2 mΩ R <sub>SENSE</sub>		1		mA
IBAT_ADC	ADC Battery Current	3 A	- 2%		2%	
IBAT_ADC	ADC Battery Current	6 A	- 1.5%		1.5%	
IBAT_ADC	ADC Battery Current	9 A	- 1.5%		1.5%	
TSBUS_AD C	ADC TSBUS pin voltage	Range	0.2		2.7	V
TSBUS_AD C	ADC TSBUS % of VOUT Readable in Registers 0x22h and 0x23h	Range	0%		50%	
		LSB		0.09766 %		
TSBUS_AD C	ADC TSBUS Accuracy	TSBUS pin voltage 2 V	- 1%		1%	
TSBAT_AD C	ADC TSBAT pin voltage	Range	0.2		2.7	V
TSBAT_AD C	ADC TSBAT pin voltage Readable in Registers 0x24h and 0x25h	Range	0%		50%	
		LSB		0.09766 %		
TSBAT_AD C	ADC TSBAT pin voltage	TSBAT pin voltage 2 V	- 1%		1%	
TDIE_ADC	ADC Die Temperature Readable in Registers 0x26h and 0x27h	Range	- 40		150	°C
		LSB		0.5		°C
TDIE_ADC	ADC Die Temperature (Typ over temp)			±4		°C
<b>REGN LDO</b>						
V <sub>REGN</sub>	REGN LDO Output Voltage	V <sub>BUS</sub> = 8 V		5		V
I <sub>REGN</sub>	REGN LDO Current Limit	V <sub>BUS</sub> = 8 V, V <sub>REGN</sub> = 4.5 V	50			mA
<b>LOGIC I/O THRESHOLDS ( INT, BATT_SYNCIN)</b>						
V <sub>IL</sub>	Input Low Threshold	I <sub>SINK</sub> = 5 mA			0.4	V
V <sub>IH</sub>	Input High Threshold	I <sub>SINK</sub> = 5 mA	1.3			V
I <sub>LEAK</sub>	High Level Leakage Current	V <sub>PULL-UP</sub> = 3.3 V			1	μA
<b>LOGIC I/O THRESHOLDS (TSBAT_SYNCOUT)</b>						
V <sub>OH</sub>	Output High Threshold	V <sub>PULL-UP</sub> = 1.8V	1.3			
V <sub>OL</sub>	Output Low Threshold	V <sub>PULL-UP</sub> = 1.8V			0.4	
<b>I2C LEVELS and TIMINGS</b>						
V <sub>IL</sub>	Input Low Threshold	V <sub>PULL-UP</sub> = 1.8 V, SDA and SCL			0.4	V
V <sub>IH</sub>	Input High Threshold	V <sub>PULL-UP</sub> = 1.8 V, SDA and SCL	1.3			V
V <sub>OL</sub>	Output Low Threshold	I <sub>OL</sub> = 20 mA			0.4	V
I <sub>BIAS</sub>	High Level Leakage Current	V <sub>PULL-UP</sub> = 1.8 V, SDA and SCL			1	μA
f <sub>SCL</sub>	SCL Clock Frequency				1	MHz
t <sub>SU_STA</sub>	Data Set-Up Time		10			ns
t <sub>HD_DAT</sub>	Data Hold Time		0		70	ns

## 8.5 Electrical Characteristics (continued)

over operating free-air temperature range of -40°C to 85°C (unless otherwise noted)

PARAMETER		TEST CONDITIONS	MIN	TYP	MAX	UNIT
$t_{rDA}$	Rise Time of SDA Signal	Cbus = 100 pF max	10		80	ns
$t_{fDA}$	Fall Time of SDA Signal	Cbus = 100 pF max	10		80	ns

## 8.6 Typical Characteristics

Typical characteristics are taken with test equipment for nonswitching tests, and with the EVM-893 for switching tests.

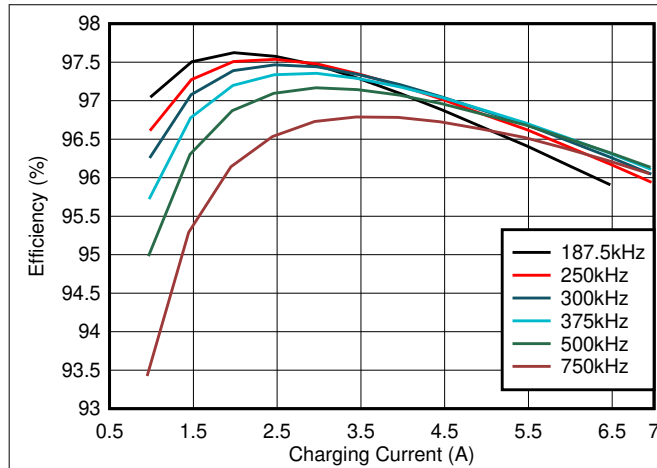


图 8-1. BQ25968 Device Efficiency, 3 x 22-µF Caps Per Phase

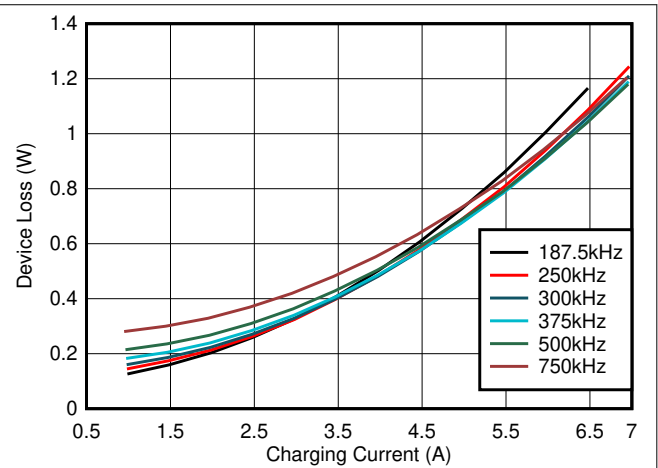


图 8-2. BQ25968 Device Power Loss, 4 x 20-µF Caps Per Phase

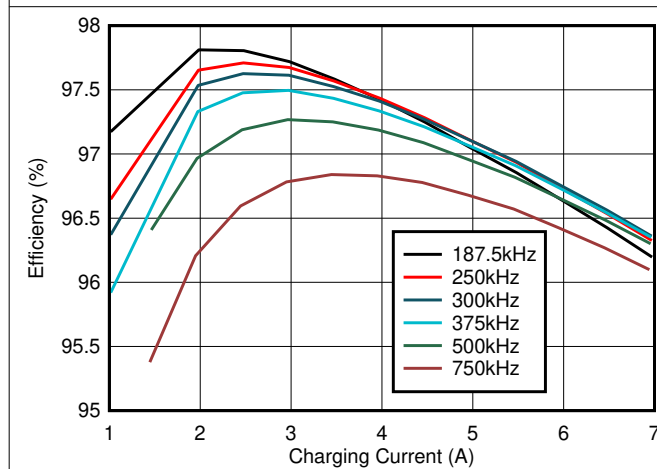


图 8-3. BQ25968 Device Efficiency, 4 x 22-µF Caps Per Phase

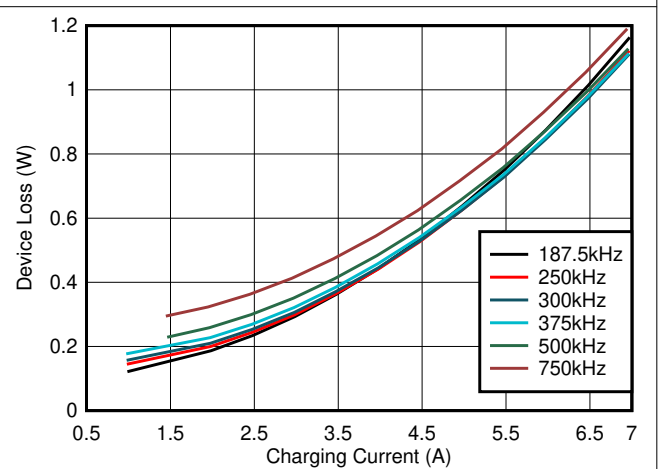
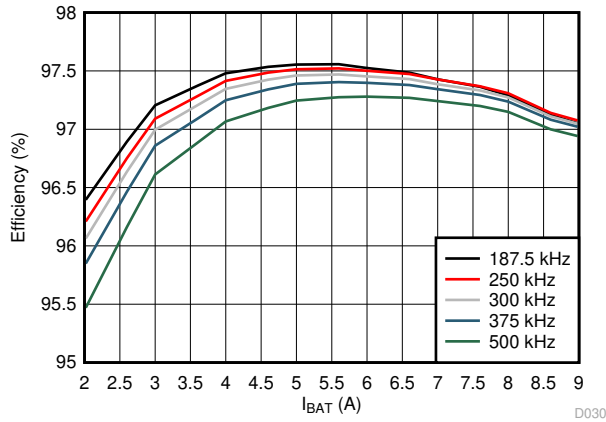


图 8-4. BQ25968 Device Power Loss, 4 x 22-µF Caps Per Phase

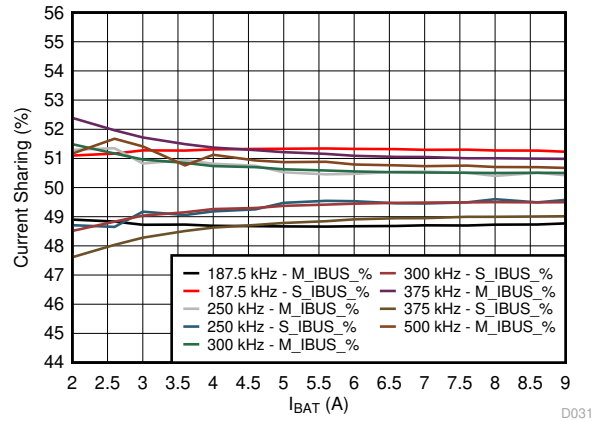
## 8.6 Typical Characteristics (continued)

Typical characteristics are taken with test equipment for nonswitching tests, and with the EVM-893 for switching tests.



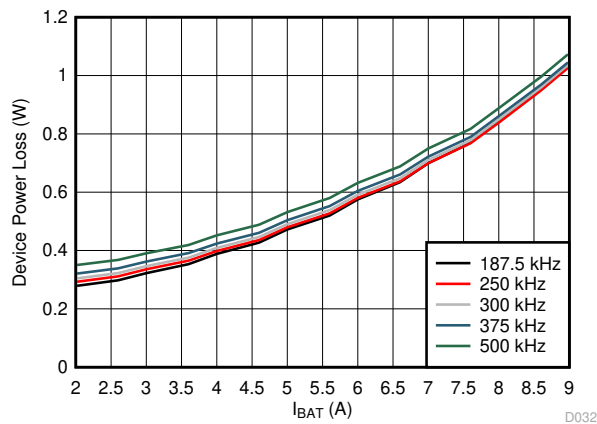
A1 BV L13 4\*20- $\mu$ F caps per phase, 2-m $\Omega$  IBAT sense resistor

图 8-5. BQ25968 Parallel Efficiency



A1 BV L13 4\*20- $\mu$ F caps per phase, 2-m $\Omega$  IBAT sense resistor

图 8-6. BQ25968 Parallel Current Sharing



A1 BV L13 4\*20- $\mu$ F caps per phase, 2-m $\Omega$  IBAT sense resistor

图 8-7. BQ25968 Parallel Power Loss

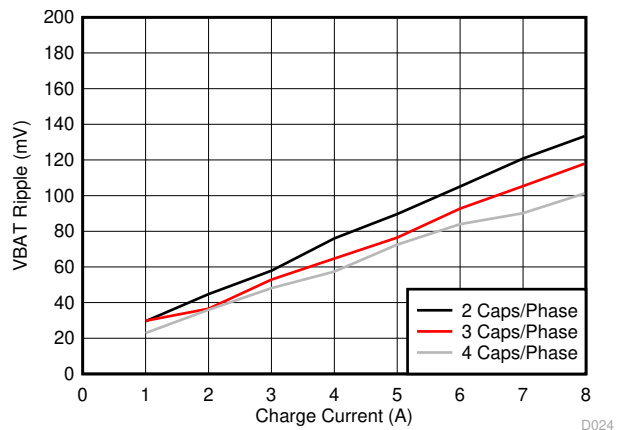


图 8-8. VBAT Ripple at 500 kHz

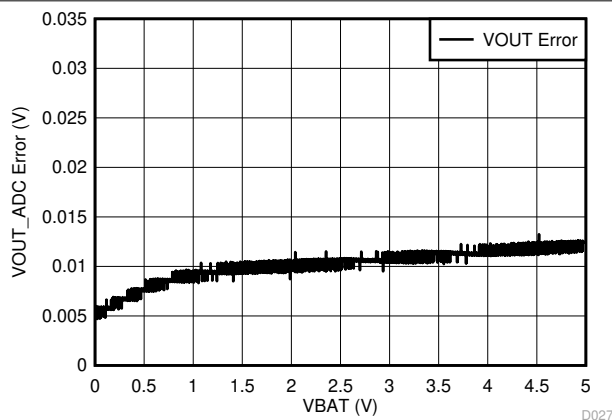


图 8-9. VOUT\_ADC Error

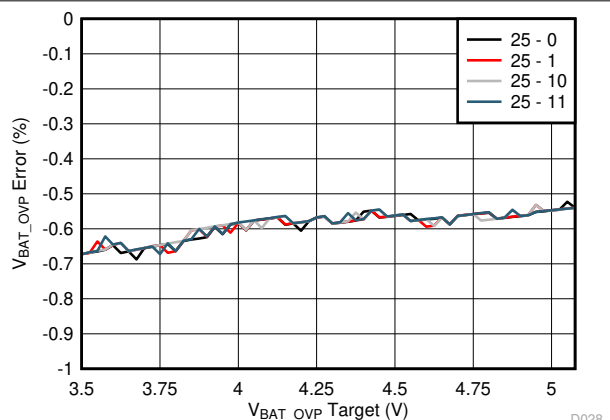


图 8-10. VBAT\_OVP Error

## 8.6 Typical Characteristics (continued)

Typical characteristics are taken with test equipment for nonswitching tests, and with the EVM-893 for switching tests.

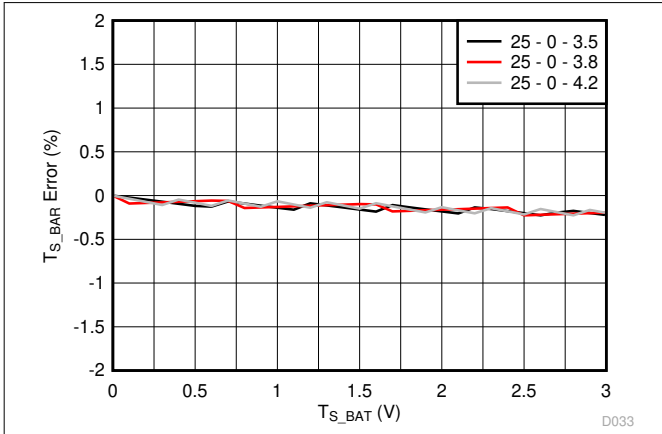


图 8-11.  $T_{S\_BAT}$  Error

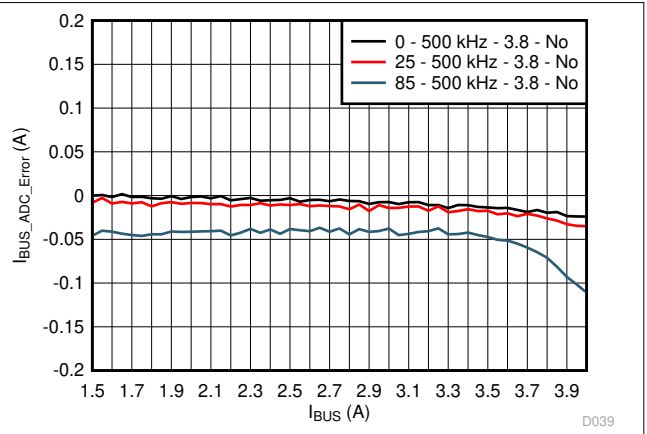


图 8-12.  $I_{BUS\_ADC}$  Error

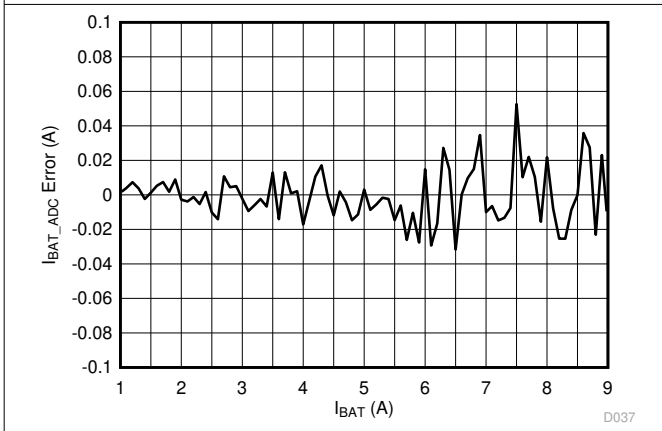


图 8-13.  $I_{BAT\_ADC}$  Error

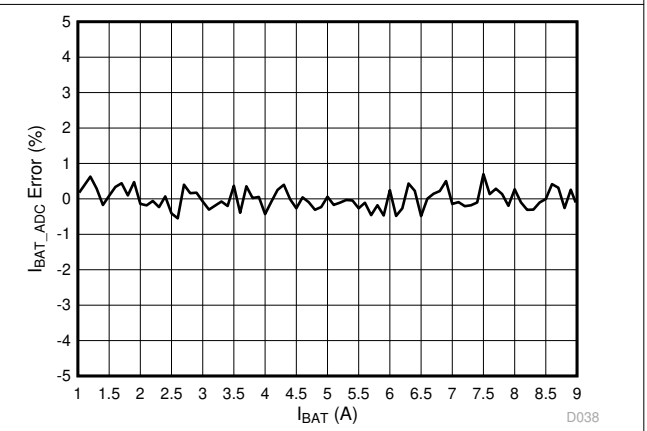


图 8-14.  $I_{BAT\_ADC}$  Error

## 9 Detailed Description

### 9.1 Overview

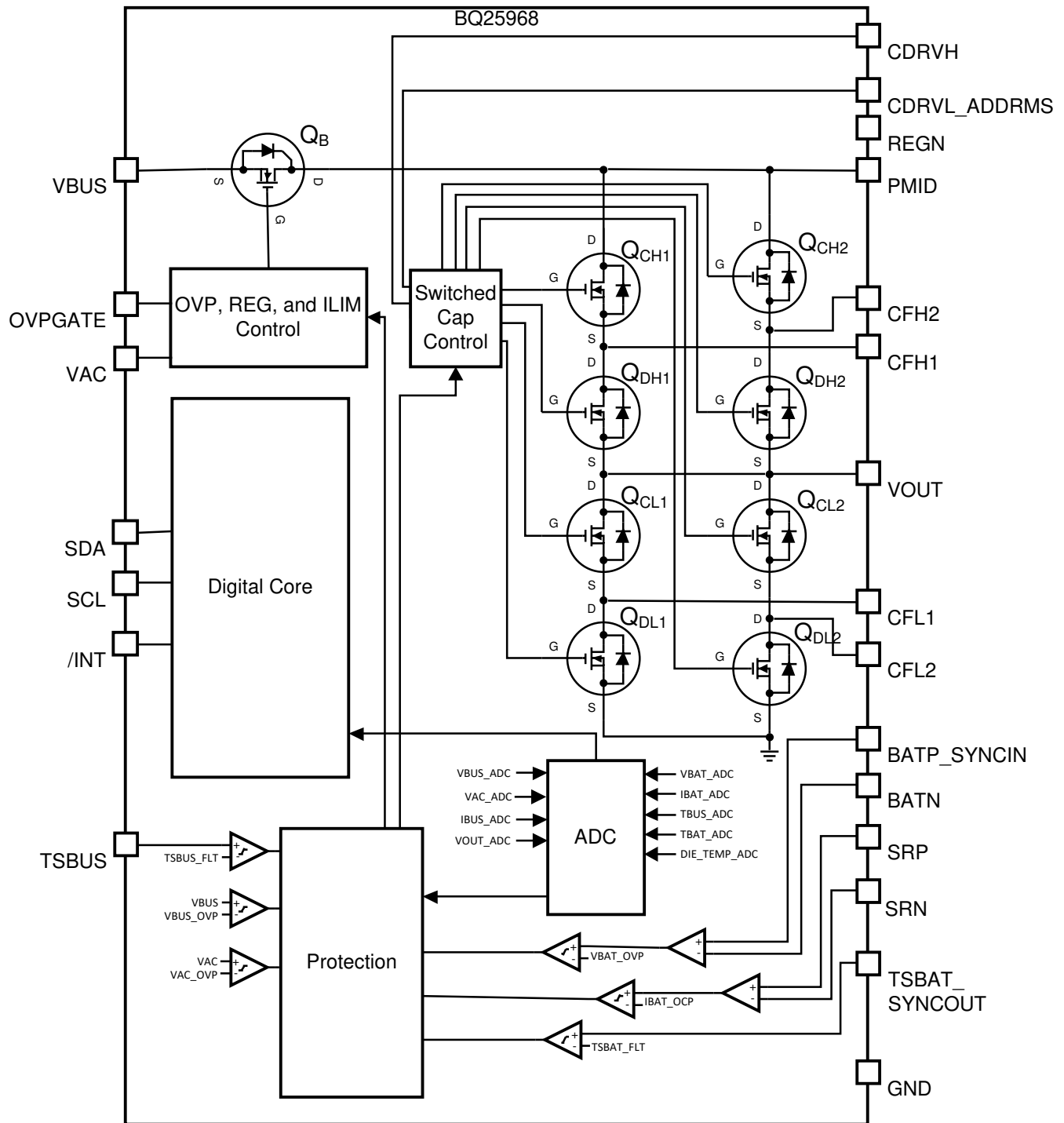
The BQ25968 is a 97% efficient, 6-A battery charging solution using a switched cap architecture. This architecture and the integrated FETs are optimized to enable a 50% duty cycle, allowing the cable current to be half the current delivered to the battery, reducing the losses over the charging cable as well as limiting the temperature rise in the application. The dual-phase architecture reduces the input cap requirements as well as reducing the output voltage ripple. When used with a standard charger such as the BQ2589x, the system enables the fastest charging at the lowest power loss from precharge through CC, CV, and termination.

The device integrates all the necessary protection features to ensure safe charging, including input overvoltage and overcurrent protection, output overvoltage and overcurrent protection, temperature sensing for the battery and cable, and monitoring the die temperature.

The device includes a 16-bit (minimum 12-bit effective) ADC to provide bus voltage, bus current, output voltage, battery voltage, battery current, bus temperature, bat temperature, die temperature, and other calculated measurements needed to manage the charging of the battery from the smart wall adapter or power bank.



## 9.2 Functional Block Diagram



## 9.3 Feature Description

### 9.3.1 Charging System

The BQ25968 is a slave charger used with a fast charging switching charger such as the BQ25890. A host must set up the protections and alarms on the BQ25968 prior to disabling the SW charger and enabling the BQ25968 charger. The host must monitor the alarms generated by the BQ25968 and communicate with the smart adapter to control the current delivered to the charger.

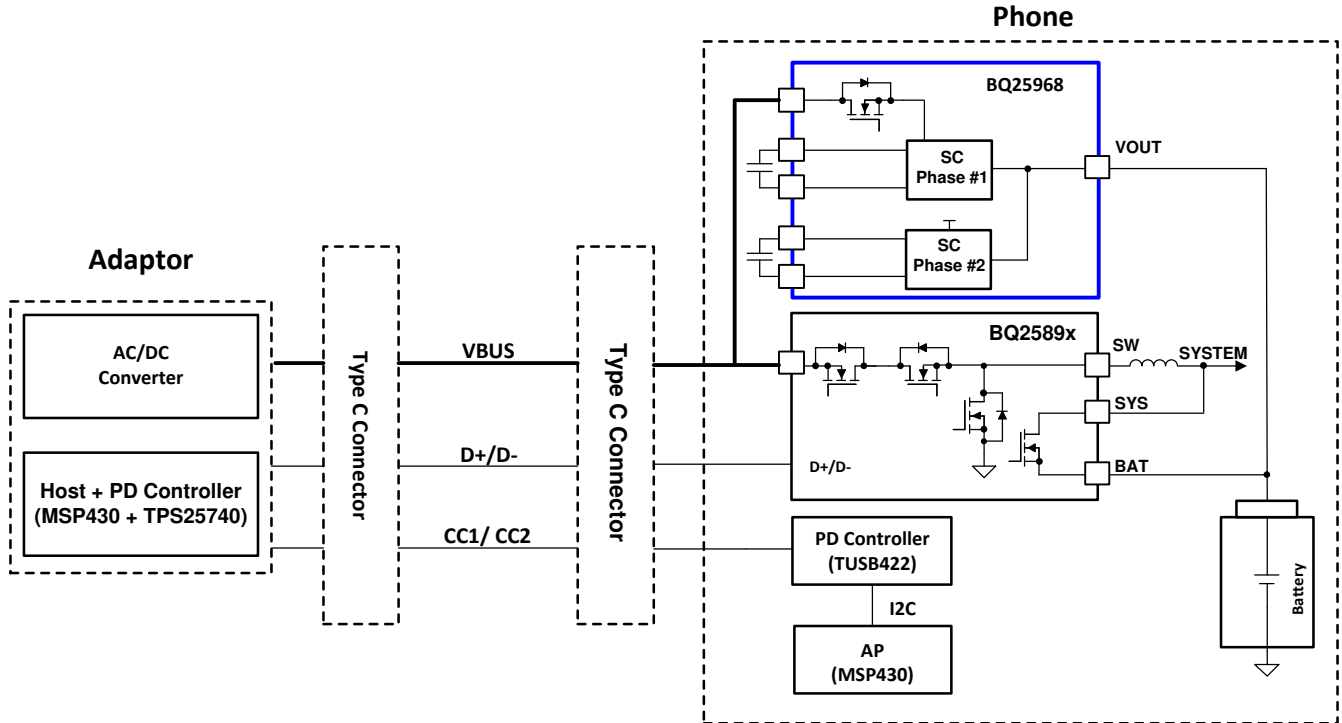


图 9-1. BQ25968 System Diagram

### 9.3.2 Battery Charging Profile

The system will have a specific battery charging profile that is unique due to the switched cap architecture. During the trickle charge and precharge of the battery up to 3.5 V, the charging will be controlled by the primary charger (BQ25890 in 图 9-1). Once the battery voltage reaches 3.5 V, the adaptor can negotiate for a higher bus voltage, enable the BQ25968 charging, and regulate the current on VBUS to charge the battery. In the CC phase, the protection in the BQ25968 will not regulate the battery voltage, but will provide feedback to the system to increase/decrease current as needed, as well as disable the output if the voltage is exceeded. Once the CV point is reached, the BQ25968 will provide feedback to the adaptor to reduce the current, effectively tapering the current until a point where the primary charger takes over again. This charging profile is shown in 图 9-2.

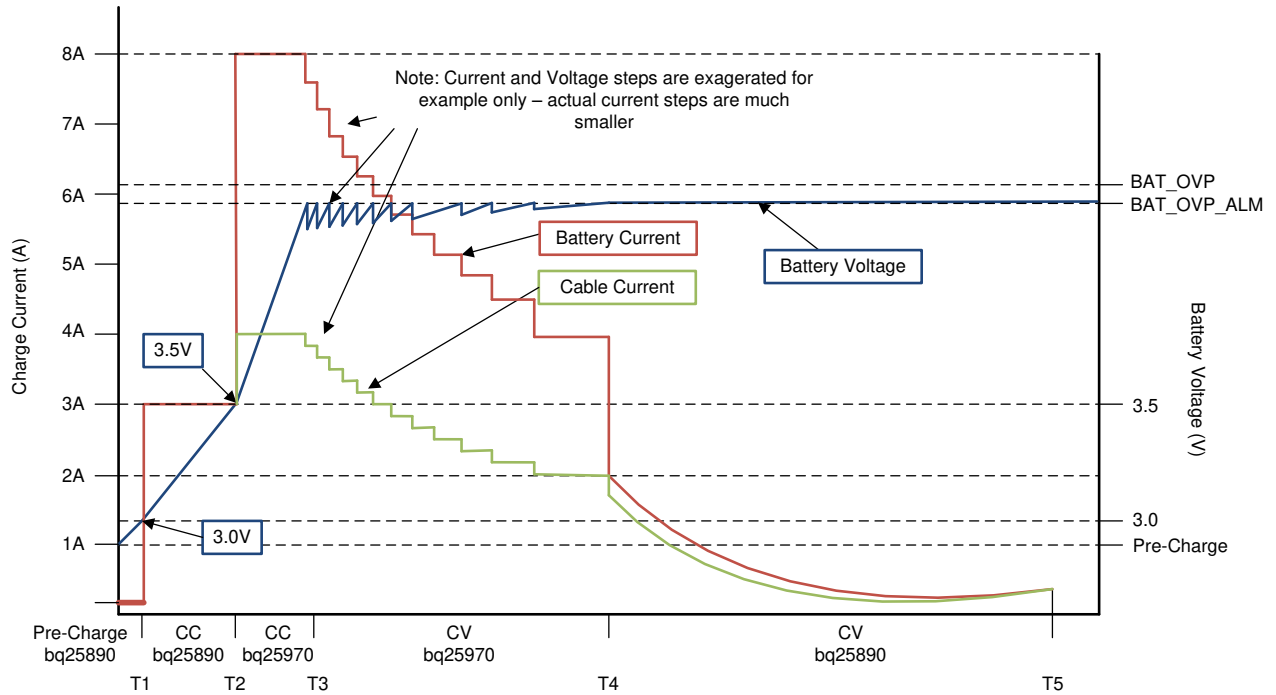


图 9-2. BQ25968 System Charging Profile

### 9.3.3 Control State Diagram for System Implementation

The device being charged will need to communicate with the adapter to control the current being delivered to the BQ25968. This is accomplished by using the adjustable protection and alarm settings in the BQ25968, and communicating to the wall charger (or power bank or car charge adapter) as shown in 图 9-3. The availability of the alarms are dependant on the presence of the input supply and the charge state, which is shown in 表 9-1.

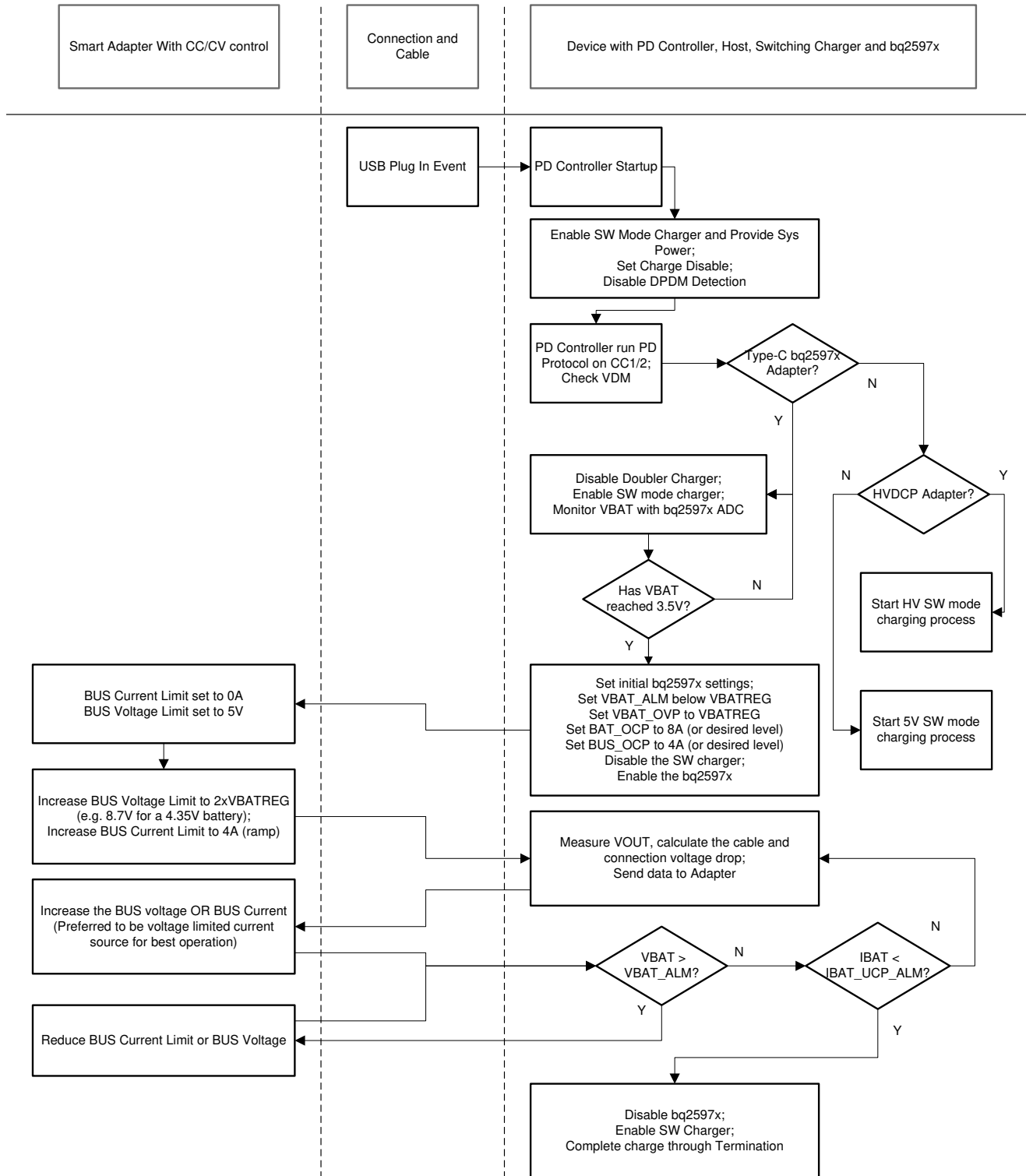


图 9-3. System Control State Diagram

表 9-1. ALM/FLT Function Activity

ALM/FLT FUNCTION	BATTERY ONLY	VAC PRESENT CHG_EN = 0	VAC PRESENT CHG_EN = 1
BAT_OVP_ALM	Not Active	Not Active	Active

**表 9-1. ALM/FLT Function Activity (continued)**

ALM/FLT FUNCTION	BATTERY ONLY	VAC PRESENT CHG_EN = 0	VAC PRESENT CHG_EN = 1
BAT_OCP_ALM	Not Active	Not Active	Active
BAT_UCP_ALM	Not Active	Not Active	Active
BUS_OVP_ALM	Not Active	Not Active	Active
BUS_OCP_ALM	Not Active	Not Active	Active
TSBUS_FLT	Not Active	Active	Active
TSBAT_FLT	Not Active	Active	Active
TDIE_ALM	Not Active	Active	Active
TSBUS_TSBAT_ALM	Not Active	Active	Active

### 9.3.4 Device Power Up

The device is powered from the greater of either VBUS or VOUT (battery). The voltage must be greater than the VBUS<sub>PRESENT</sub> or VOUT<sub>PRESENT</sub> threshold to be a valid supply. However, the device will start drawing power once the voltage rises above the VBUS<sub>UVLO</sub> or VOUT<sub>UVLO</sub> threshold.

The device has a watchdog timer, which is enabled by default. If the device is not read from or written to before the watchdog expires, the part will stop switching. The first read of the watchdog timer flag will always read ‘1’. During initial power up of the device, upon completion of pin detection for address, an  $\overline{\text{INT}}$  pulse will be triggered to show a watchdog timeout. The host should not attempt to read or write before this initial  $\overline{\text{INT}}$  signal.

The device will not charge when first powered up, as the default charge state is always not enabled. The ADC is available prior to enabling charge so the system parameters are known to the host before enabling charge. If the VOUT voltage is not greater than 3 V, the charger cannot be enabled. The lowest charge voltage allowed on VOUT is 2.8 V falling.

Although the device will depend on the smart adapter to ramp the charging current, the device implements a soft start through Q<sub>B</sub> that limits the ramp current. If the current through Q<sub>B</sub> is greater than the programmed V<sub>BUS\_OCP</sub>, the FET is disabled. The output voltage ramps as the current is increased.

### 9.3.5 Switched Cap Function

The power stage used in the device is a parallel-series switched cap architecture with two phases. The output voltage of the power stage is half of the input voltage. The output current of the power stage is twice the input current. By controlling the constant current source input to the power stage, the CC and CV charging phases can be achieved with the protections and alarms implemented in the device.

#### 9.3.5.1 Theory of Operation

The power stage of the device is shown in the block diagram, and a simplified single phase circuit is shown in [Figure 9-4](#). When operating, the device switches at a 50% duty cycle with Q1 and Q3 turned on and off at the same time, while Q2 and Q4 are turned on and off simultaneously. This results in the following equivalent circuits.

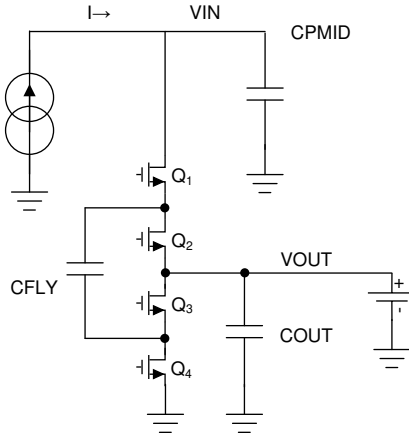


图 9-4. BQ25968 Simplified Switched Cap Architecture (single phase)

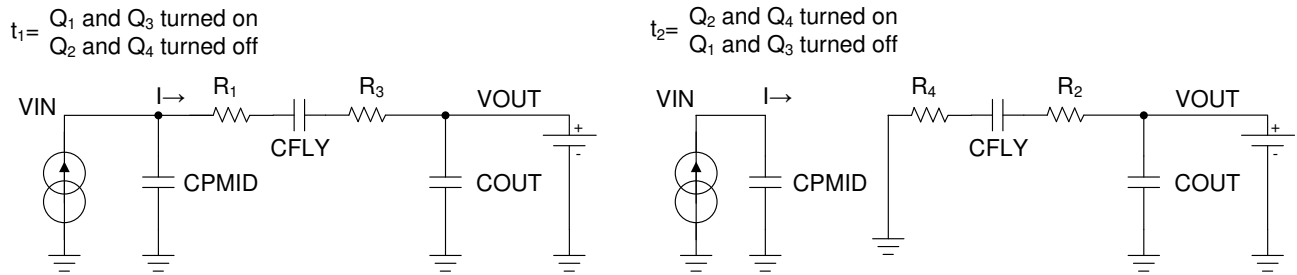


图 9-5. BQ25968 Equivalent Circuits During Operation

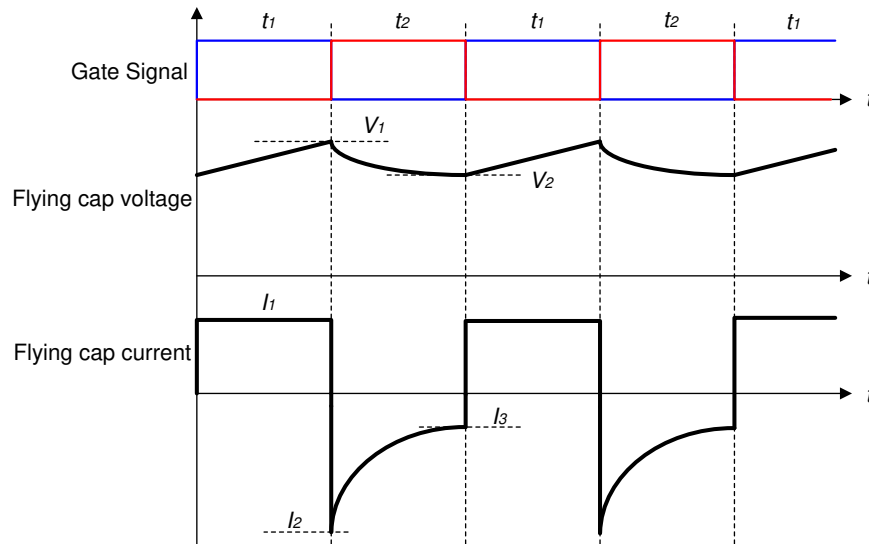


图 9-6. BQ25968 Switching Waveforms

### 9.3.6 Charging Start-Up

Prior to enabling charging, set all the protections to the desired thresholds. Protections available are BAT\_OVP, BAT\_OVP\_ALM, BAT\_OCP, BAT\_OCP\_ALM, BAT\_UCP\_ALM, AC\_PROTECTION, BUS\_OVP, BUS\_OVP\_ALM, BUS\_OCP\_UCP, and BUS\_OCP\_ALM. These can be found in registers 0x0h through 0x9h. The \*\_OVP and \*\_OCP registers set the thresholds where if these conditions are met, the charger stops switching. The \*\_ALM registers set the thresholds where an interrupt is sent to the host to take actions to avoid

reaching the \*\_OVP or \*\_OCP thresholds. The settings for the \*\_ALM registers will depend on the response time required from the host and the operating conditions of the system.

Once the protections have been set, the BUS voltage must be between VBUS\_ERROR\_LO and VBUS\_ERROR\_HI in order for the part to start switching. Register 0x0Ah contains the registers to check if these conditions have been met. Typically VBUS\_ERROR\_LO is 2.05 times VBAT. It is recommended to start with VBUS near this voltage when enabling charge. Once charge has been enabled, the CONV\_SWITCHING\_STAT bit should be '1', and current will start to flow to the battery. Raising the BUS voltage will increase the current to the battery. If using a current limited source, the voltage can be raised until reaching the current limit. The battery current, IBAT, must reach the IBUS\_UCP\_THRESHOLD rise threshold within the SS\_TIMEOUT\_SET time. These parameters can be set in register 0x2Bh. If the IBUS\_UCP\_THRESHOLD is not met within SS\_TIMEOUT\_SET, switching stops and the startup sequence must be done again.

### 9.3.7 Integrated 16-Bit ADC for Monitoring and Smart Adapter Feedback

The integrated 16-bit ADC of the device allows the user to get critical system information for optimizing the behavior of the charger control. The control of the ADC is done through the ADC\_CTRL register. The ADC\_EN bit provides the ability to enable and disable the ADC to conserve power. The ADC\_RATE bit allows continuous conversion or one-shot behavior. The ADC\_AVG\_DIS bit enables or disables averaging.

To enable the ADC, the ADC\_EN bit must be set to '1'. The ADC is allowed to operate if either the  $V_{VBUS} > V_{VBUS\_PRESENT}$  or  $V_{VOUT} > V_{VOUT\_PRESENT}$  is valid. If ADC\_EN is set to '1' before VBUS or VOUT reach their respective PRESENT threshold, then the ADC conversion will be postponed until one of the power supplies reaches the threshold.

The ADC\_SAMPLE bits control the sample speed of the ADC, with conversion times of  $t_{ADC\_CONV}$ . The integrated ADC has two rate conversion options: a 1-Shot Mode and a Continuous Conversion Mode set by the ADC\_RATE bit. By default, all ADC parameters will be converted in 1-Shot or Continuous Conversion Mode unless disabled in the ADC\_FN\_DIS register. If an ADC parameter is disabled by setting the corresponding bit in the ADC\_FN\_DIS register, then the value in that register will be from the last valid ADC conversion or the default POR value (all zeros if no conversions have taken place). If an ADC parameter is disabled in the middle of an ADC measurement cycle, the device will finish the conversion of that parameter, but will not convert the parameter starting the next conversion cycle. Even though no conversion takes place when all ADC measurement parameters are disabled, the ADC circuitry is active and ready to begin conversion as soon as one of the bits in the ADC\_FN\_DIS register is set to '0'.

The ADC\_DONE\_\* bits signal when a conversion is complete in 1-Shot Mode only. During Continuous Conversion Mode, the ADC\_DONE\_\* bits have no meaning and will be '0'.

ADC conversion operates independently of the faults present in the device. ADC conversion will continue even after a fault has occurred (such as one that causes the power stage to be disabled), and the host must set ADC\_EN = '0' to disable the ADC. ADC readings are only valid for DC states and not for transients. When the host writes ADC\_EN = '0', the ADC stops immediately. If the host wants to exit ADC more gracefully, it is possible to do either of the following:

1. Write ADC\_RATE to one-shot, and the ADC will stop at the end of a complete cycle of conversions, or
2. Write all the DIS bits low, and the ADC will stop at the end of the current measurement.

### 9.3.8 Device Internal Thermal Shutdown, TSBUS, and TSBAT Temperature Monitoring

The device has three temperature sensing mechanisms to protect the device and system during charging: TSBUS for monitoring the cable connector temperature, TSBAT for monitoring the battery temperature, and TDIE for monitoring the internal junction temperature of the device. TSBUS and TSBAT only operate when there is a valid input supply. The TSBUS and TSBAT both rely on a resistor divider that has an external pullup voltage to VOUT. Place a negative coefficient thermistor in parallel to the low-side resistor. A fault on the TSBUS and TSBAT pin is triggered on the falling edge of the voltage threshold, signifying a "hot" temperature. The threshold is adjusted using the TSBUS\_FLT and TSBAT\_FLT registers. A warning TSBUS\_TSBAT\_ALM interrupt will be sent if the percentage reached within 5% of the FLT setting. If the TSBUS\_FLT or TSBAT\_FLT is disabled, it will not trigger a TSBUS\_TSBAT\_ALM interrupt. The RLO and RHI resistors should be chosen

depending on the NTC used. If a 10-kΩ NTC is used, use 10-kΩ resistors for RLO and RHI. If a 100-kΩ NTC is used, use 100-kΩ resistors for RLO and RHI. The ratio of VTS/VOUT can be from 0% to 50%, and the voltage at the TS pin is determined by the following equation.

$$V_{TSBUS} \text{ or } V_{TSBAT} \text{ (V)} = \frac{\frac{1}{\left(\frac{1}{R_{NTC}} + \frac{1}{R_{LO}}\right)}}{R_{HI} + \frac{1}{\left(\frac{1}{R_{NTC}} + \frac{1}{R_{LO}}\right)}} \times V_{OUT} \quad (1)$$

The percentage of the TS pin voltage is determined by the following equation.

$$TS_{BUS} \text{ or } TS_{BAT} \text{ (\%)} = \frac{\frac{1}{\left(\frac{1}{R_{NTC}} + \frac{1}{R_{LO}}\right)}}{R_{HI} + \frac{1}{\left(\frac{1}{R_{NTC}} + \frac{1}{R_{LO}}\right)}} \quad (2)$$

Additionally, the device has an internal die temperature measurement, with adjustable threshold TDIE\_FLT.

If TSBUS, TSBAT, or TDIE protections are not used, the functions can be disabled in the CHRG\_CTRL register by setting the TSBUS\_DIS, TSBAT\_DIS, or TDIE\_DIS bit to '1'. If the TSBUS\_FLT, TSBAT\_FLT, thresholds are reached, the CHG\_EN bit is set to '0', and the start-up sequence must be followed to resume charging.

Using the TDIE\_ALM register, an alarm can be set to notify the host when the device die temperature exceeds a threshold. The device will not automatically stop switching when reaching the alarm threshold, and the host may decide on the steps to take to lower the temperature, such as reducing the charge current. The device will automatically stop switching when it reaches the TSHUT threshold.

### 9.3.9 INT Pin, STAT, FLAG, and MASK Registers

The INT pin is an open drain pin that needs to be pulled up to a voltage with a pullup resistor. INT is normally high and will assert low for  $t_{INT}$  when the device needs to alert the host of a fault or status change. The behavior of the INT pin is determined by six registers: INT\_STAT, INT\_FLAG, INT\_MASK, FLT\_STAT, FLT\_FLAG, and FLT\_MASK.

The fields in the STAT registers show the current status of the device, and are updated as the status changes. The fields in the FLAG registers indicate that the event has occurred, and the field is cleared when read. If the event persists after the FLAG register has been read and cleared, another INT signal is not sent. The fields in the MASK registers allow the user to disable the interrupt on the INT pin, but the STAT and FLAG registers are still updated even though INT is not pulled low.

### 9.3.10 CDRVH and CDRVL\_ADDRMS Functions

The device requires a cap between the CDRVH and CDRVL\_ADDRMS pins to operate correctly. The CDRVL\_ADDRMS pin also allows setting the default I<sup>2</sup>C address and power-up AC\_OVP threshold for external OVP FET control. Pull to GND with a resistor for the desired setting shown in 表 9-2. Once I<sup>2</sup>C communication begins with the device, the register sets the AC\_OVP threshold.



表 9-2. BQ25968 I<sup>2</sup>C Address and Mode Selection

RESISTOR VALUE TO GND ON CDRVL_ADDRMS	I <sup>2</sup> C ADDR (NVM_I2CADDR_ALT = 0)	I <sup>2</sup> C ADDR (NVM_I2CADDR_ALT = 1)	AC_OVP SETTING	MASTER, SLAVE, OR STANDALONE OPERATION
18 K $\Omega$	0x65	0x66	6.5 V	Master
39 K $\Omega$	0x66	0x67	(Disabled)	Slave
75 K $\Omega$	0x65	0x67	11 V	Standalone
Open (>150 K $\Omega$ )	0x66	0x67	6.5 V	Standalone

If a standalone device is needed with the AC\_OVP function disabled, use the BQ25971.

### 9.3.11 Parallel Operation Using Master and Slave Modes

For higher power systems, it is possible to use two BQ25968 devices in parallel. This has the effect of reducing the adapter power requirements, reducing the cable losses, and reducing the losses in the device. The parallel system is shown in the figure below. The CDRVL\_ADDRMS pin is used to configure the functionality of the device as Master or Slave. Refer to 节 9.3.10 for proper setting.

When configured as a Master, the TSBAT\_SYNCOUT pin functions as SYNCOUT, and the B ATP\_SYNCIN pin functions as B ATP. When configured as a Slave, the TSBAT\_SYNCOUT pin functions as TSBAT, and the B ATP\_SYNCIN pin functions as SYNCIN. OVPGATE is controlled by the Master, and the OVPGATE pin on the slave should be left floating. Pull the SYNCIN/SYNCOUT pins to REGN through a 1-k $\Omega$  resistor.

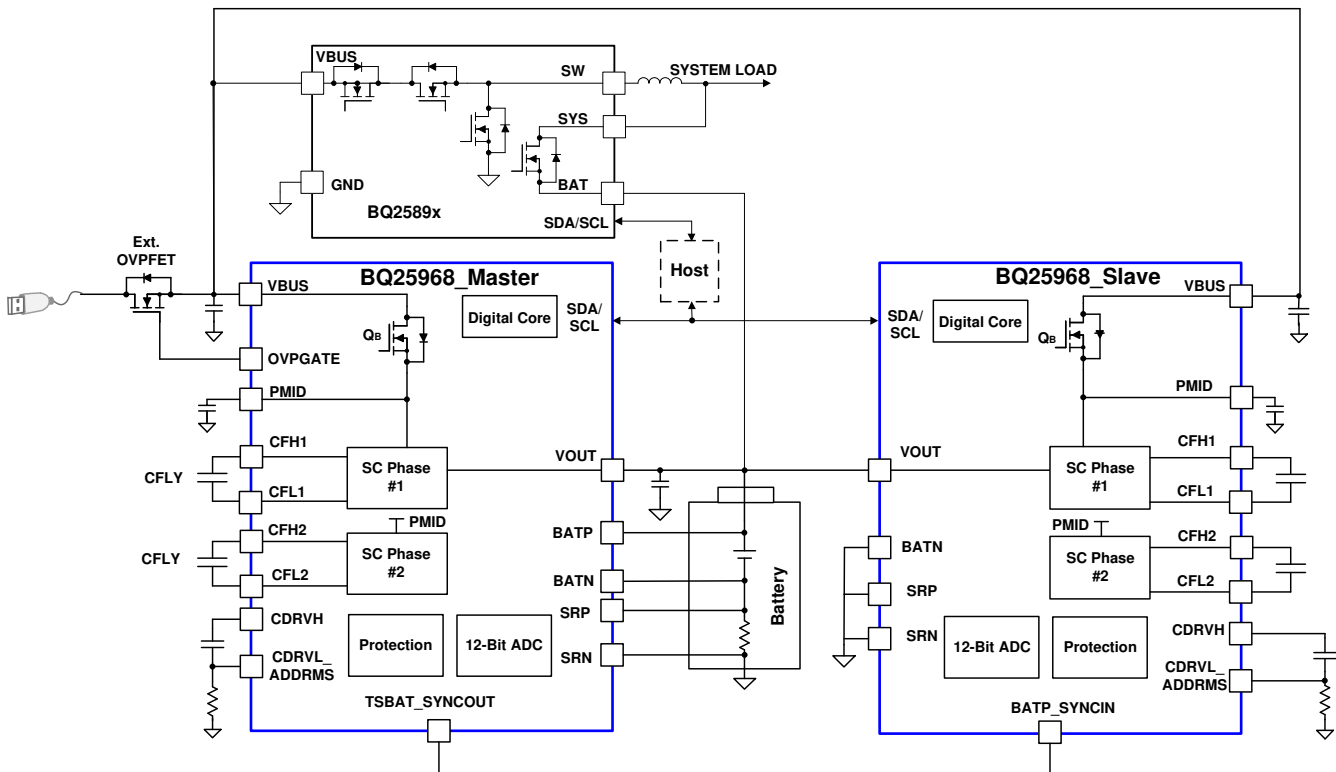


图 9-7. Parallel BQ25968 System

## 9.4 Device Functional Modes

### 9.4.1 Device Modes and Protection Status

表 9-3 shows the features and modes of the device depending on the conditions of the device.

表 9-3. Device Modes and Protection Status

FUNCTIONS AVAILABLE	STATE				
	BATT-ONLY (VAC < VACpres)	VAC > VACpres	VAC > VACpres	VAC > VACpres	VAC > VACpres
	(REGARDLESS OF VOUTpres)	CHARGE DISABLED	CHARGE DISABLED	DURING CHARGE SOFTSTART	CHARGING
	(REGARDLESS OF ADC)	(ADC NOT ENABLED)	ADC ENABLED	(REGARDLESS OF ADC)	(REGARDLESS OF ADC)
I <sup>2</sup> C allowed	X	X	X	X	X
Allow user ADC request	X	X	X	X	X
VAC FET gate drive		X	X	X	X
VAC OVP protection		X	X	X	X
TS_BUS ALM		X	X	X	X
TS_BAT ALM		X	X	X	X
DIE TMP ALM		X	X	X	X
VBUS OVP ALM				X	X
VBAT OVP ALM				X	X
VBAT OCP ALM				X	X
VOUT_OVP			X	X	X
VBUS OCP ALM				X	X
VBUS UCP ALM					X
VBUS <i>In-range</i> (slow UVP/OVP)			X	X	X
TS_BUS FLT		X	X	X	X
TS_BAT FLT		X	X	X	X
DIE TMP FLT		X	X	X	X
VBUS OVP FLT				X	X
VBAT OVP FLT				X	X
VBAT OCP FLT				X	X
VBUS OCP FLT				X	X
VBUS UCP FLT					X
Cycle by Cycle Current Limit				X	X

Tripping any of these protection faults will cause Q<sub>B</sub> to be off. Masking the fault or alarm does NOT disable the protection, but only keeps an INT from being triggered by the event. Disabling the fault or alarm will hold that stat and flag bits in reset, and also prevent an interrupt from occurring.

#### 9.4.1.1 Input Overvoltage, Overcurrent, Undercurrent and Short-Circuit Protection

The device integrates the functionality of an input overvoltage protector. The device can be paired with an external N-channel FET to block input voltages higher than the setting programmed by the ADDR\_MS pin. The device senses the input through the VAC pin and turns the external N-channel FET on or off through the OVPGATE pin. This eliminates the need for a separate OVP device to protect the overall system. The integrated VAC\_OVP feature has a reaction time of t<sub>VAC\_OVP</sub>. The VAC OVP setting is adjustable in the VAC\_PROTECTION register.

The integrated OVP feature has a reaction time of t<sub>VAC\_OVP</sub> (the actual time to turn off OVP FET will be longer and depends upon the FET gate capacitance) and the feature is always active as long as V<sub>VAC</sub> > VAC<sub>PRESENT</sub>.

The default VAC OVP threshold is set by CDRVL\_ADDRMS and can be changed with the VAC\_PROTECTION register bits. VAC OVP bits are only reset by a REG\_RST or a POR event where the CDRVL\_ADDRMS value is used.

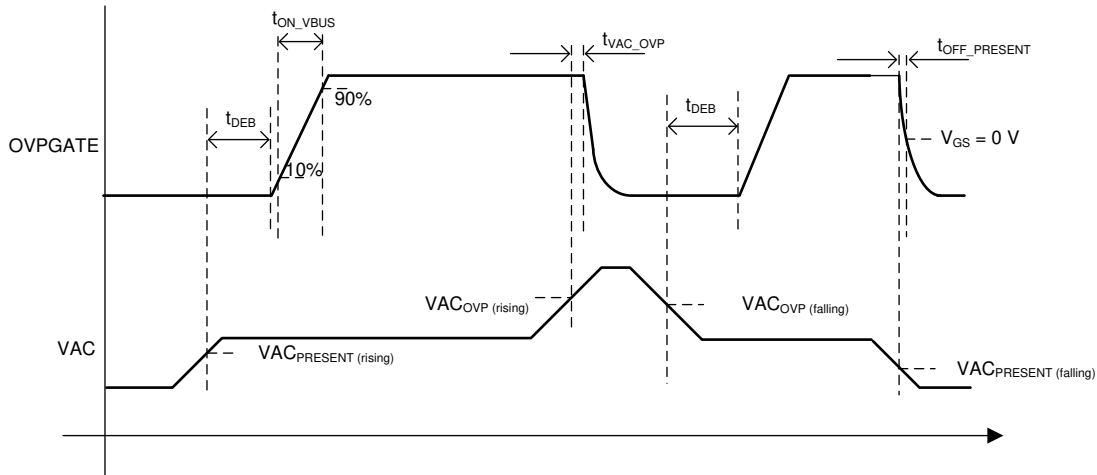


图 9-8. OVPGATE Timing

The device has an integrated blocking FET ( $Q_B$ ), with a reaction time of  $t_{VBUS\_OVP}$ . The BUS OVP threshold is adjustable in the `BUS_OVP` register.

Overcurrent protection monitors the current flow into VBUS. The overcurrent protection threshold is adjustable in the `BUS_OCP` register through the `BUS_OCP` bits, with a reaction time of  $t_{IBUS\_OCP}$ .

When any input OVP, UVP, or OCP event is triggered, the `CHG_EN` bit is set to '0' to disable charging, and the start-up protocol must be followed to begin charging again.

When the `BAT_UCP_ALM` is triggered, the host is notified and the `CHG_EN` bit is **not** set to '0' to disable charging. The host must disable charging after this event and determine when to switch back to the primary switching charger. This alarm is blanked during start up for proper operation. When the device starts switching, the `IBUS_UCP` protection is disabled until the BUS current rises above `IBUS_UCP` rising threshold. After that, if the BUS current falls below `IBUS_UCP` falling, the device will stop switching. `IBUS_UCP` falling threshold cannot be masked or disabled.

#### 9.4.1.2 Battery Overvoltage and Overcurrent Protection

The device integrates both overcurrent and overvoltage protection for the battery. The device monitors the battery voltage on `BATP` and `BATN`. In order to reduce the possibility of battery terminal shorts during manufacturing, series resistors on `BATP` and `BATN` are required. `VBAT` measurement accuracy must be met with a 100- $\Omega$  series resistor, but the device must still be operational with a 1-k $\Omega$  resistor. The device is intended to be operated within the window formed by the `BAT_OVP` and `BAT_OVP_ALM`. When the `BAT_OVP_ALM` is reached, an interrupt is sent to the host to reduce the charge current and thereby reaching the `BAT_OVP` threshold. If `BAT_OVP` is reached, charging stops, the `CHG_EN` bit is set to '0', and the start-up sequence must be followed to resume charging.

A fixed `VOUT_OVP` threshold is implemented to protect the device if the battery is removed.

The device monitors current through the battery by monitoring the voltage across the external series battery sense resistor. The differential voltage of this sense resistor is measured on `SRP` and `SRN`. The device is intended to be operated within the window formed by the `BAT_OCP` and `BAT_OCP_ALM`. When the `BAT_OCP_ALM` is reached, an interrupt is sent to the host to reduce the charge current from reaching the `BAT_OCP` threshold. If `BAT_OCP` is reached, charging stops, the `CHG_EN` bit is set to '0', and the start-up sequence must be followed to resume charging.

Comparator based for all battery overvoltage alarms and protections.

#### 9.4.1.3 Cycle-by-Cycle Current Limit

The device monitors the outer switching FET current on a cycle-by-cycle basis. If an overcurrent is triggered for 16 cycles, the device responds by stopping switching and setting `CHG_EN`=0. When device triggered cycle-by-

cycle protection, CONV\_OCP\_FLAG is set to '1' and  $\overline{\text{INT}}$  is asserted low to alert host. The start-up sequence must be followed to resume charging. It is recommended to limit the charging current of BQ25968 to 6 A without triggering the cycle-by-cycle protection.

## 9.5 Programming

The BQ25968 uses an I<sup>2</sup>C compatible interface to program and read many parameters. I<sup>2</sup>C is a 2-wire serial interface developed by NXP (formerly Philips Semiconductor, see I<sup>2</sup>C BUS Specification, Version 5, October 2012). The BUS consists of a data line (SDA) and a clock line (SCL) with pull-up structures. When the BUS is idle, both SDA and SCL lines are pulled high. All the I<sup>2</sup>C compatible devices connect to the I<sup>2</sup>C BUS through open drain I/O terminals, SDA and SCL. A master device, usually a microcontroller or digital signal processor, controls the BUS. The master is responsible for generating the SCL signal and device addresses. The master also generates specific conditions that indicate the START and STOP of data transfer. A slave device receives and/or transmits data on the BUS under control of the master device.

The BQ25968 device works as a slave and supports the following data transfer modes, as defined in the I<sup>2</sup>C BUS™ Specification: Standard Mode (100 kbps) and Fast Mode (400 kbps). The interface adds flexibility to the battery management solution, enabling most functions to be programmed to new values depending on the instantaneous application requirements. The I<sup>2</sup>C circuitry is powered from the battery in Active Battery Mode. The battery voltage must stay above VBATUVLO when no VIN is present to maintain proper operation.

The data transfer protocol for standard and fast modes is exactly the same; therefore, they are referred to as the F/S-Mode in this document. The BQ25968 device only supports 7-bit addressing. The device 7-bit address is determined by the ADDR pin on the device.

To avoid I<sup>2</sup>C hang-ups, a timer (TI2CRESET) runs during I<sup>2</sup>C transactions. If the transaction takes longer than TI2CRESET, any additional commands are ignored and the I<sup>2</sup>C engine is reset. The timeout is reset with START and repeated START conditions and stops when a valid STOP condition is sent.

### 9.5.1 F/S Mode Protocol

The master initiates data transfer by generating a start condition. The start condition is when a high-to-low transition occurs on the SDA line while SCL is high, as shown in the figure below. All I<sup>2</sup>C-compatible devices should recognize a start condition.

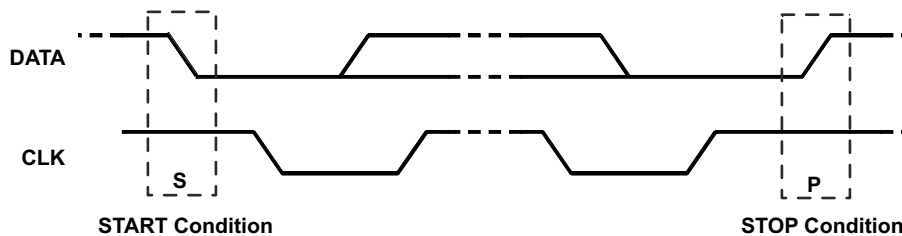


图 9-9. START and STOP Condition

The master then generates the SCL pulses, and transmits the 8-bit address and the read/write direction bit R/W on the SDA line. During all transmissions, the master ensures that data is valid. A valid data condition requires the SDA line to be stable during the entire high period of the clock pulse (see 图 9-10). All devices recognize the address sent by the master and compare it to their internal fixed addresses. Only the slave device with a matching address generates and acknowledge (see 图 9-11) by pulling the SDA line low during the entire high period of the ninth SCL cycle. Upon detecting this acknowledge, the master knows that communication link with a slave has been established.

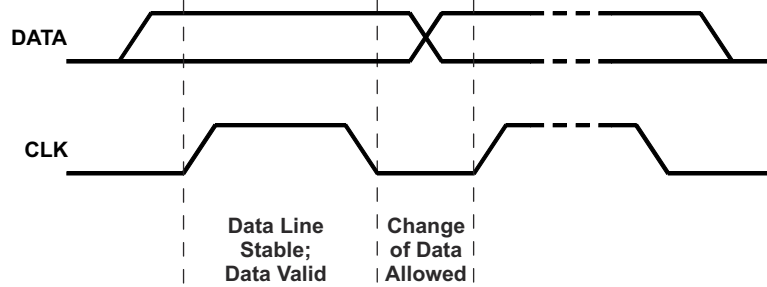


图 9-10. Bit Transfer on the Serial Interface

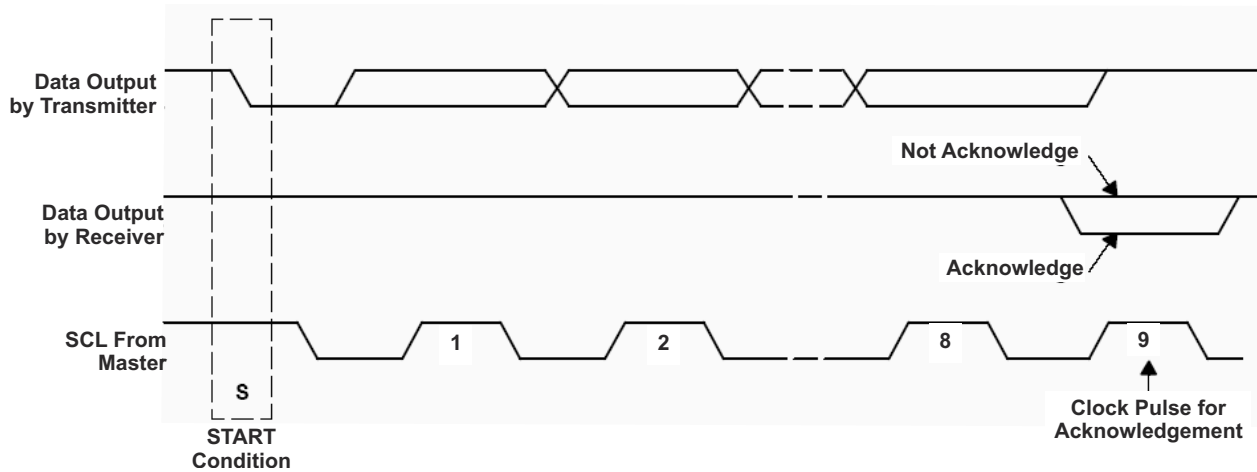


图 9-11. Acknowledge on the I<sup>2</sup>C BUS

The master generates further SCL cycles to either transmit data to the slave (R/W bit 0) or receive data from the slave (R/W bit 1). In either case, the receiver needs to acknowledge the data sent by the transmitter. An acknowledge signal can either be generated by the master or by the slave, depending on which one is the receiver. The 9-bit valid data sequences consisting of 8-bit data and 1-bit acknowledge can continue as long as necessary. To signal the end of the data transfer, the master generates a stop condition by pulling the SDA line from low to high while the SCL line is high (see 图 9-12). This releases the BUS and stops the communication link with the addressed slave. All I<sup>2</sup>C compatible devices must recognize the stop condition. Upon the receipt of a stop condition, all devices know that the BUS is released, and wait for a start condition followed by a matching address. If a transaction is terminated prematurely, the master needs to send a STOP condition to prevent the slave I<sup>2</sup>C logic from remaining in an incorrect state. Attempting to read data from register addresses not listed in this section will result in 0xFFh being read out.

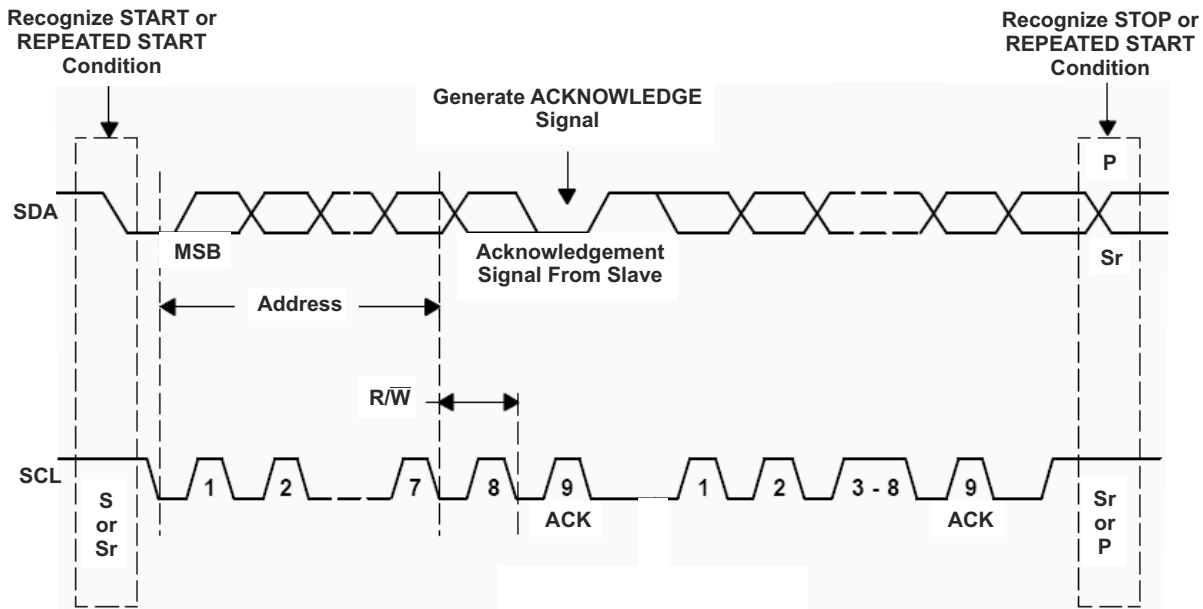


图 9-12. BUS Protocol

## 9.6 Register Maps

### 9.6.1 Customer Registers

表 9-4 can be accesses using I<sup>2</sup>C using the address programmed by the CDRVH\_ADDRMS pin, and the value can be found in 表 9-2.

表 9-4. CUSTOMER Registers

ADDRESS	ACRONYM	REGISTER NAME	SECTION
0h	BAT_OVP	Battery Voltage Limit	<a href="#">Go</a>
1h	BAT_OVP_ALM	Battery Voltage Alarm	<a href="#">Go</a>
2h	BAT_OCP	Charge Current Limit	<a href="#">Go</a>
3h	BAT_OCP_ALM	Charge Current Alarm	<a href="#">Go</a>
4h	BAT_UCP_ALM	Charge Under Current Alarm	<a href="#">Go</a>
5h	AC_PROTECTION	Input Voltage Limit	<a href="#">Go</a>
6h	BUS_OVP	Bus Over Voltage Protection	<a href="#">Go</a>
7h	BUS_OVP_ALM	Input Voltage Alarm	<a href="#">Go</a>
8h	BUS_OCP_UCP	Input Current Limit	<a href="#">Go</a>
9h	BUS_OCP_ALM	Input Current Alarm	<a href="#">Go</a>
Ah	CONVERTER_STATE	Converter State	<a href="#">Go</a>
Bh	CONTROL	Control Register	<a href="#">Go</a>
Ch	CHRG_CTRL	Charger Control 1	<a href="#">Go</a>
Dh	INT_STAT	INT STAT	<a href="#">Go</a>
Eh	INT_FLAG	INT Flag	<a href="#">Go</a>
Fh	INT_MASK	INT Mask	<a href="#">Go</a>
10h	FLT_STAT	FAULT STAT	<a href="#">Go</a>
11h	FLT_FLAG	FAULT FLAG	<a href="#">Go</a>
12h	FLT_MASK	FAULT MASK	<a href="#">Go</a>
13h	PART_INFO	Part Information	<a href="#">Go</a>
14h	ADC_CTRL	ADC Control	<a href="#">Go</a>
15h	ADC_FN_DIS	ADC Function Disable	<a href="#">Go</a>

**表 9-4. CUSTOMER Registers (continued)**

ADDRESS	ACRONYM	REGISTER NAME	SECTION
16h	IBUS_ADC1	ADC BUS Current Measurement	<a href="#">Go</a>
17h	IBUS_ADC0	ADC BUS Current Measurement	<a href="#">Go</a>
18h	VBUS_ADC1	ADC BUS Voltage Measurement	<a href="#">Go</a>
19h	VBUS_ADC0	ADC BUS Voltage Measurement	<a href="#">Go</a>
1Ah	VAC_ADC1	ADC VAC Voltage Measurement	<a href="#">Go</a>
1Bh	VAC_ADC0	ADC VAC Voltage Measurement	<a href="#">Go</a>
1Ch	VOUT_ADC1	ADC OUT Voltage Measurement	<a href="#">Go</a>
1Dh	VOUT_ADC0	ADC OUT Voltage Measurement	<a href="#">Go</a>
1Eh	VBAT_ADC1	ADC BAT Voltage Measurement	<a href="#">Go</a>
1Fh	VBAT_ADC0	ADC BAT Voltage Measurement	<a href="#">Go</a>
20h	IBAT_ADC1	ADC BAT Current Measurement	<a href="#">Go</a>
21h	IBAT_ADC0	ADC BAT Current Measurement	<a href="#">Go</a>
22h	TSBUS_ADC1	ADC TSBUS Pin Voltage Measurement	<a href="#">Go</a>
23h	TSBUS_ADC0	ADC TSBUS Pin Voltage Measurement	<a href="#">Go</a>
24h	TSBAT_ADC1	ADC TSBAT Pin Voltage Measurement	<a href="#">Go</a>
25h	TSBAT_ADC0	ADC TSBAT Pin Voltage Measurement	<a href="#">Go</a>
26h	TDIE_ADC1	ADC Die Temperature Measurement	<a href="#">Go</a>
27h	TDIE_ADC0	ADC Die Temperature Measurement	<a href="#">Go</a>
28h	TSBUS_FLT1	TSBUS Pin Voltage Fault Setting	<a href="#">Go</a>
29h	TSBAT_FLT0	TSBAT Pin Voltage Fault Setting	<a href="#">Go</a>
2Ah	TDIE_ALM	Die Temp Fault Setting	<a href="#">Go</a>
2Bh	CHG_CTRL	Charger Control	<a href="#">Go</a>
2Ch	VOUT_OVP_STAT	VOUT_OVP status	<a href="#">Go</a>
2Dh	VOUT_OVP_FLAG_MASK	VOUT_OVP FLAG and MASK	<a href="#">Go</a>
2Eh	DEGLITCH	Deglintch Settings	<a href="#">Go</a>

Complex bit access types are encoded to fit into small table cells. 表 9-5 shows the codes that are used for access types in this section.

**表 9-5. CUSTOMER Access Type Codes**

ACCESS TYPE	CODE	DESCRIPTION
Read Type		
R	R	Read
Write Type		
W	W	Write
Reset or Default Value		
-n		Value after reset or the default value x may be 0 or 1

### 9.6.1.1 BAT\_OVP Register (Address = 0h) [reset = 22h]

BAT\_OVP is shown in [图 9-13](#) and described in [表 9-6](#).

Return to [Summary Table](#).

All bits are RESET BY REG\_RST.

**图 9-13. BAT\_OVP Register**

7	6	5	4	3	2	1	0
BAT_OVP_DIS	RESERVED	BAT_OVP[5]	BAT_OVP[4]	BAT_OVP[3]	BAT_OVP[2]	BAT_OVP[1]	BAT_OVP[0]
R/W-0h	0h	R/W-1h	R/W-0h	R/W-0h	R/W-0h	R/W-1h	R/W-0h

**表 9-6. BAT\_OVP Register Field Descriptions**

Bit	Field	Type	Reset or Default	Reset by Reg_RST	Reset by WATCH DOG	Bit Value	Description
7	BAT_OVP_DIS	R/W	0h	Y	N	N/A	Disable BAT_OVP
6	RESERVED		0h				
5	BAT_OVP[5]	R/W	1h	Y	N	800 mV	Battery Overvoltage Protection Setting. When the battery voltage goes above the programmed threshold, and INT is sent, the output is disabled and CHG_EN is set to 0. The host controller should monitor the battery voltage to ensure that the adapter keeps the voltage under this threshold for proper operation. The setting is determined by $BAT\_OVP = 3.475\text{ V} + BAT\_OVP[5:0] * 25\text{ mV}$ Default: 4.35 V (b 10 0010)
4	BAT_OVP[4]	R/W	0h	Y	N	400 mV	
3	BAT_OVP[3]	R/W	0h	Y	N	200 mV	
2	BAT_OVP[2]	R/W	0h	Y	N	100 mV	
1	BAT_OVP[1]	R/W	1h	Y	N	50 mV	
0	BAT_OVP[0]	R/W	0h	Y	N	25 mV	



### 9.6.1.2 BAT\_OVP\_ALM Register (Address = 1h) [reset = 1Ch]

BAT\_OVP\_ALM is shown in [图 9-14](#) and described in [表 9-7](#).

Return to [Summary Table](#).

All bits are RESET BY REG\_RST.

**图 9-14. BAT\_OVP\_ALM Register**

7	6	5	4	3	2	1	0
BAT_OVP_ALM_DIS	RESERVED	BAT_OVP_ALM[5]	BAT_OVP_ALM[4]	BAT_OVP_ALM[3]	BAT_OVP_ALM[2]	BAT_OVP_ALM[1]	BAT_OVP_ALM[0]
R/W-0h	0h	R/W-0h	R/W-1h	R/W-1h	R/W-1h	R/W-0h	R/W-0h

**表 9-7. BAT\_OVP\_ALM Register Field Descriptions**

Bit	Field	Type	Reset or Default	Reset by Reg_RST	Reset by WATCH DOG	Bit Value	Description
7	BAT_OVP_ALM_DIS	R/W	0h	Y	N	N/A	Disable BAT_OVP_ALM
6	RESERVED		0h				
5	BAT_OVP_ALM[5]	R/W	0h	Y	N	800 mV	Battery Overvoltage Alarm Setting. When the battery voltage goes above the programmed threshold an INT is sent. The BAT_OVP_ALM should be set lower than BAT_OVP and the host controller should monitor the battery voltage to ensure that the adapter keeps the voltage under the BAT_OVP threshold for proper operation. The setting is determined by $BAT\_OVP\_ALM = 3.5\text{ V} + BAT\_OVP\_ALM[5:0] * 25\text{ mV}$ Default: 4.2 V (b01 1100)
4	BAT_OVP_ALM[4]	R/W	1h	Y	N	400 mV	
3	BAT_OVP_ALM[3]	R/W	1h	Y	N	200 mV	
2	BAT_OVP_ALM[2]	R/W	1h	Y	N	100 mV	
1	BAT_OVP_ALM[1]	R/W	0h	Y	N	50 mV	
0	BAT_OVP_ALM[0]	R/W	0h	Y	N	25 mV	

### 9.6.1.3 BAT\_OCP Register (Address = 2h) [reset = 3Dh]

BAT\_OCP is shown in [图 9-15](#) and described in [表 9-8](#).

Return to [Summary Table](#).

All bits are RESET BY REG\_RST.

**图 9-15. BAT\_OCP Register**

7	6	5	4	3	2	1	0
BAT_OCP_DIS	BAT_OCP[6]	BAT_OCP[5]	BAT_OCP[4]	BAT_OCP[3]	BAT_OCP[2]	BAT_OCP[1]	BAT_OCP[0]
R/W-0h	R/W-0h	R/W-1h	R/W-1h	R/W-1h	R/W-1h	R/W-0h	R/W-1h

**表 9-8. BAT\_OCP Register Field Descriptions**

Bit	Field	Type	Reset or Default	Reset by Reg_RST	Reset by WATCH DOG	Bit Value	Description
7	BAT_OCP_DIS	R/W	0h	Y	N	N/A	Disable BAT_OCP
6	BAT_OCP[6]	R/W	0h	Y	N	6400 mA	Battery Overcurrent Protection Setting. Any setting over 10 A is set to 10 A. When the battery current goes above the programmed threshold, the output is disabled. The host controller should monitor the battery current to ensure that the adapter keeps the current under this threshold for proper operation. The setting is determined by $BAT\_OCP = 2\text{ A} + BAT\_OCP[6:0] * 100\text{ mA}$ Default: 8.1 A (b 011 1101)
5	BAT_OCP[5]	R/W	1h	Y	N	3200 mA	
4	BAT_OCP[4]	R/W	1h	Y	N	1600 mA	
3	BAT_OCP[3]	R/W	1h	Y	N	800 mA	
2	BAT_OCP[2]	R/W	1h	Y	N	400 mA	
1	BAT_OCP[1]	R/W	0h	Y	N	200 mA	
0	BAT_OCP[0]	R/W	1h	Y	N	100 mA	

### 9.6.1.4 BAT\_OCP\_ALM Register (Address = 3h) [reset = 3Ch]

BAT\_OCP\_ALM is shown in [图 9-16](#) and described in [表 9-9](#).

Return to [Summary Table](#).

All bits are RESET BY REG\_RST.

**图 9-16. BAT\_OCP\_ALM Register**

7	6	5	4	3	2	1	0
BAT_OCP_ALM_DIS	BAT_OCP_ALM[6]	BAT_OCP_ALM[5]	BAT_OCP_ALM[4]	BAT_OCP_ALM[3]	BAT_OCP_ALM[2]	BAT_OCP_ALM[1]	BAT_OCP_ALM[0]
R/W-0h	R/W-0h	R/W-1h	R/W-1h	R/W-1h	R/W-1h	R/W-0h	R/W-0h

**表 9-9. BAT\_OCP\_ALM Register Field Descriptions**

Bit	Field	Type	Reset or Default	Reset by Reg_RST	Reset by WATCH DOG	Bit Value	Description
7	BAT_OCP_ALM_DIS	R/W	0h	Y	N	N/A	Disable BAT_OCP_ALM
6	BAT_OCP_ALM[6]	R/W	0h	Y	N	6400 mA	Battery Overcurrent Alarm Setting. When the battery current goes above the programmed threshold an INT is sent. The BAT_OCP_ALM should be set lower than the BAT_OCP and the host controller should monitor the battery current to ensure that the adapter keeps the current under the BAT_OCP threshold for proper operation. The setting is determined by $BAT\_OCP\_ALM = 2\text{ A} + BAT\_OCP\_ALM[6:0] * 100\text{ mA}$ Default: 8 A
5	BAT_OCP_ALM[5]	R/W	1h	Y	N	3200 mA	
4	BAT_OCP_ALM[4]	R/W	1h	Y	N	1600 mA	
3	BAT_OCP_ALM[3]	R/W	1h	Y	N	800 mA	
2	BAT_OCP_ALM[2]	R/W	1h	Y	N	400 mA	
1	BAT_OCP_ALM[1]	R/W	0h	Y	N	200 mA	
0	BAT_OVP_ALM[0]	R/W	0h	Y	N	100 mA	

### 9.6.1.5 BAT\_UCP\_ALM Register (Address = 4h) [reset = 28h]

BAT\_UCP\_ALM is shown in [图 9-17](#) and described in [表 9-10](#).

Return to [Summary Table](#).

All bits are RESET BY REG\_RST.

**图 9-17. BAT\_UCP\_ALM Register**

7	6	5	4	3	2	1	0
BAT_UCP_ALM_DIS	BAT_UCP_ALM[6]	BAT_UCP_ALM[5]	BAT_UCP_ALM[4]	BAT_UCP_ALM[3]	BAT_UCP_ALM[2]	BAT_UCP_ALM[1]	BAT_UCP_ALM[0]
R/W-0h	R/W-0h	R/W-1h	R/W-0h	R/W-1h	R/W-0h	R/W-0h	R/W-0h

**表 9-10. BAT\_UCP\_ALM Register Field Descriptions**

Bit	Field	Type	Reset or Default	Reset by Reg_RST	Reset by WATCH DOG	Bit Value	Description
7	BAT_UCP_ALM_DIS	R/W	0h	Y	N	N/A	Disable BAT_UCP_ALM
6	BAT_UCP_ALM[6]	R/W	0h	Y	N	3200 mA	Battery Undercurrent Alarm Setting. When the battery current falls below the programmed threshold, an INT is sent. The host controller should monitor the battery current to determine when to disable the BQ25968 and hand overcharging to the switching charger. The setting is determined by $BAT\_UCP\_ALM = BAT\_UCP\_ALM[7:0] * 50 \text{ mA}$ Default: 2 A (b0101000)
5	BAT_UCP_ALM[5]	R/W	1h	Y	N	1600 mA	
4	BAT_UCP_ALM[4]	R/W	0h	Y	N	800 mA	
3	BAT_UCP_ALM[3]	R/W	1h	Y	N	400 mA	
2	BAT_UCP_ALM[2]	R/W	0h	Y	N	200 mA	
1	BAT_UCP_ALM[1]	R/W	0h	Y	N	100 mA	
0	BAT_UCP_ALM[0]	R/W	0h	Y	N	50 mA	

### 9.6.1.6 AC\_PROTECTION Register (Address = 5h) [reset = 3h]

AC\_PROTECTION is shown in [图 9-18](#) and described in [表 9-11](#).

Return to [Summary Table](#).

All bits are RESET BY REG\_RST.

**图 9-18. AC\_PROTECTION Register**

7	6	5	4	3	2	1	0
AC_OVP_STAT	AC_OVP_FLAG	AC_OVP_MASK	RESERVED		AC_OVP[2]	AC_OVP[1]	AC_OVP[0]
R-0h	R-0h	R/W-0h	R-x		R/W-0h	R/W-1h	R/W-1h

**表 9-11. AC\_PROTECTION Register Field Descriptions**

Bit	Field	Type	Reset or Default	Reset by Reg_RST	Reset by WATCH DOG	Bit Value	Description
7	AC_OVP_STAT	R	0h	Y	N/A	N/A	Status of AC_OVP. Persists until condition is no longer valid.
6	AC_OVP_FLAG	R	0h	Y	N/A	N/A	Set when an AC_OVP event occurs. Cleared upon read.
5	AC_OVP_MASK	R/W	0h	Y	N	N/A	Masks an AC_OVP event from sending an INT.
4-3	RESERVED	R	x	N	N	N/A	RESERVED
2	AC_OVP[2]	R/W	0h	Y	N	4 V	Bus Overvoltage Protection Setting. When the bus voltage reaches the programmed threshold, OVPGATE turns off the OVP FET. The host controller should monitor the bus voltage to ensure that the adapter keeps the voltage under this threshold for proper operation. The setting is determined by $AC\_OVP = 11\text{ V} + AC\_OVP[3:0] * 1\text{ V}$ Writing all 1s to these bits sets the AC_OVP to 6.5 V
1	AC_OVP[1]	R/W	1h	Y	N	2 V	
0	AC_OVP[0]	R/W	1h	Y	N	1 V	

### 9.6.1.7 BUS\_OVP Register (Address = 6h) [reset = 3Ah]

BUS\_OVP is shown in [图 9-19](#) and described in [表 9-12](#).

Return to [Summary Table](#).

All bits are RESET BY REG\_RST.

**图 9-19. BUS\_OVP Register**

7	6	5	4	3	2	1	0
VBUS_PD_EN	BUS_OVP[6]	BUS_OVP[5]	BUS_OVP[4]	BUS_OVP[3]	BUS_OVP[2]	BUS_OVP[1]	BUS_OVP[0]
R/W-0h	R/W-0h	R/W-1h	R/W-1h	R/W-1h	R/W-0h	R/W-1h	R/W-0h

**表 9-12. BUS\_OVP Register Field Descriptions**

Bit	Field	Type	Reset or Default	Reset by Reg_RST	Reset by WATCH DOG	Bit Value	Description
7	VBUS_PD_EN	R/W	0h	Y	N	N/A	0: Pulldown disabled, 1: Pulldown enabled Enabling this will turn off the external OVPFET, and conduct current from VBUS to GND through an internal diode. Any time the OVPFET charge pump is not running, this pulldown device will be active to help discharge VBUS after a hot-plug event.
6	BUS_OVP[6]	R/W	0h	Y	N	3200 mV	Bus Overvoltage Setting. When the bus voltage reaches the programmed threshold, QB is turned off and CH_EN is set to 0. The host controller should monitor the bus voltage to ensure that the adapter keeps the voltage under the BUS_OVP threshold for proper operation. The setting is determined by $BUS\_OVP = 5.95\text{ V} + BUS\_OVP[6:0] * 50\text{ mV}$ Default: 8.9 V (b011 1010)
5	BUS_OVP[5]	R/W	1h	Y	N	1600 mV	
4	BUS_OVP[4]	R/W	1h	Y	N	800 mV	
3	BUS_OVP[3]	R/W	1h	Y	N	400 mV	
2	BUS_OVP[2]	R/W	0h	Y	N	200 mV	
1	BUS_OVP[1]	R/W	1h	Y	N	100 mV	
0	BUS_OVP[0]	R/W	0h	Y	N	50 mV	

### 9.6.1.8 BUS\_OVP\_ALM Register (Address = 7h) [reset = 38h]

BUS\_OVP\_ALM is shown in [图 9-20](#) and described in [表 9-13](#).

Return to [Summary Table](#).

All bits are RESET BY REG\_RST.

**图 9-20. BUS\_OVP\_ALM Register**

7	6	5	4	3	2	1	0
BUS_OVP_ALM_DIS	BUS_OVP_ALM[6]	BUS_OVP_ALM[5]	BUS_OVP_ALM[4]	BUS_OVP_ALM[3]	BUS_OVP_ALM[2]	BUS_OVP_ALM[1]	BUS_OVP_ALM[0]
R/W-0h	R/W-0h	R/W-1h	R/W-1h	R/W-1h	R/W-0h	R/W-0h	R/W-0h

**表 9-13. BUS\_OVP\_ALM Register Field Descriptions**

Bit	Field	Type	Reset or Default	Reset by Reg_RST	Reset by WATCH DOG	Bit Value	Description
7	BUS_OVP_ALM_DIS	R/W	0h	Y	N	N/A	Disable BUS_OVP_ALM
6	BUS_OVP_ALM[6]	R/W	0h	Y	N	3200 mV	Bus Overvoltage Alarm Setting. When the bus voltage reaches the programmed threshold, an INT is sent. The host controller should monitor the bus voltage to ensure that the adapter keeps the voltage under the BUS_OVP threshold for proper operation. The setting is determined by $BUS\_OVP\_ALM = 6\text{ V} + BUS\_OVP\_ALM[6:0] * 50\text{ mV}$ Default: 8.8 V (b011 1000)
5	BUS_OVP_ALM[5]	R/W	1h	Y	N	1600 mV	
4	BUS_OVP_ALM[4]	R/W	1h	Y	N	800 mV	
3	BUS_OVP_ALM[3]	R/W	1h	Y	N	400 mV	
2	BUS_OVP_ALM[2]	R/W	0h	Y	N	200 mV	
1	BUS_OVP_ALM[1]	R/W	0h	Y	N	100 mV	
0	BUS_OVP_ALM[0]	R/W	0h	Y	N	50 mV	

### 9.6.1.9 BUS\_OCP\_UCP Register (Address = 8h) [reset = Dh]

BUS\_OCP\_UCP is shown in [图 9-21](#) and described in [表 9-14](#).

Return to [Summary Table](#).

All bits are RESET BY REG\_RST.

**图 9-21. BUS\_OCP\_UCP Register**

7	6	5	4	3	2	1	0
BUS_OCP_DIS	IBUS_UCP_RISE_FLAG	IBUS_UCP_RISE_MASK	IBUS_UCP_FALL_FLAG	BUS_OCP[3]	BUS_OCP[2]	BUS_OCP[1]	BUS_OCP[0]
R/W-0h	R-0h	R/W-0h	R-0h	R/W-1h	R/W-1h	R/W-0h	R/W-1h

**表 9-14. BUS\_OCP\_UCP Register Field Descriptions**

Bit	Field	Type	Reset or Default	Reset by Reg_RST	Reset by WATCH DOG	Bit Value	Description
7	BUS_OCP_DIS	R/W	0h	Y	N	N/A	BUS_OCP Disable
6	IBUS_UCP_RISE_FLAG	R	0h	Y	N/A	N/A	Bus Undercurrent Threshold Rising Flag. An INT is sent when this occurs, and is cleared upon read.
5	IBUS_UCP_RISE_MASK	R/W	0h	Y	N	N/A	Bus Undercurrent Threshold Rising INT Mask. 0: Not Masked, 1: Masked
4	IBUS_UCP_FALL_FLAG	R	0h	Y	N/A	N/A	Bus Undercurrent Threshold Falling Flag. An INT is sent when this occurs, and is cleared upon read.
3	BUS_OCP[3]	R/W	1h	Y	N	2 A	Bus Overcurrent Protection Setting. When the bus current reaches the programmed threshold, the output is disabled. The host controller should monitor the bus current to ensure that the adapter keeps the current under this threshold for proper operation. The setting is determined by $BUS\_OCP = 1\text{ A} + BUS\_OCP[6:0] * 250\text{ mA}$ Default: 4.25 A (b1101)
2	BUS_OCP[2]	R/W	1h	Y	N	1 A	
1	BUS_OCP[1]	R/W	0h	Y	N	500 mA	
0	BUS_OCP[0]	R/W	1h	Y	N	250 mA	



### 9.6.1.10 BUS\_OCP\_ALM Register (Address = 9h) [reset = 50h]

BUS\_OCP\_ALM is shown in [图 9-22](#) and described in [表 9-15](#).

Return to [Summary Table](#).

All bits are RESET BY REG\_RST.

**图 9-22. BUS\_OCP\_ALM Register**

7	6	5	4	3	2	1	0
BUS_OCP_ALM_DIS	BUS_OCP_ALM[6]	BUS_OCP_ALM[5]	BUS_OCP_ALM[4]	BUS_OCP_ALM[3]	BUS_OCP_ALM[2]	BUS_OCP_ALM[1]	BUS_OCP_ALM[0]
R/W-0h	R/W-1h	R/W-0h	R/W-1h	R/W-0h	R/W-0h	R/W-0h	R/W-0h

**表 9-15. BUS\_OCP\_ALM Register Field Descriptions**

Bit	Field	Type	Reset or Default	Reset by Reg_RST	Reset by WATCH DOG	Bit Value	Description
7	BUS_OCP_ALM_DIS	R/W	0h	Y	N	N/A	BUS_OCP_ALM Disable
6	BUS_OCP_ALM[6]	R/W	1h	Y	N	3200 mA	Bus Overcurrent Alarm Setting. When the bus current reaches the programmed threshold, an INT is sent. The host controller should monitor the bus current to ensure that the adapter keeps the current under BUS_OCP for proper operation. The setting is determined by BUS_OCP_ALM = BUS_OCP_ALM[6:0]*50 mA - 50 mA Writing all 0s is 0 A Default: 4 A (b1010000)
5	BUS_OCP_ALM[5]	R/W	0h	Y	N	1600 mA	
4	BUS_OCP_ALM[4]	R/W	1h	Y	N	800 mA	
3	BUS_OCP_ALM[3]	R/W	0h	Y	N	400 mA	
2	BUS_OCP_ALM[2]	R/W	0h	Y	N	200 mA	
1	BUS_OCP_ALM[1]	R/W	0h	Y	N	100 mA	
0	BUS_OCP_ALM[0]	R/W	0h	Y	N	50 mA	

### 9.6.1.11 CONVERTER\_STATE Register (Address = Ah) [reset = 0h]

CONVERTER\_STATE is shown in [图 9-23](#) and described in [表 9-16](#).

Return to [Summary Table](#).

All bits are RESET BY REG\_RST.

**图 9-23. CONVERTER\_STATE Register**

7	6	5	4	3	2	1	0
TSHUT_FLAG	TSHUT_STAT	VBUS_ERRORLO_STAT	VBUS_ERRORHI_STAT	SS_TIMEOUT_FLAG	CONV_SWITCHING_STAT	CONV_OCP_FLAG	FLYCAP_SHORT_FLAG
R-0h	R-0h	R-0h	R-0h	R-0h	R-0h	R-0h	R-0h

**表 9-16. CONVERTER\_STATE Register Field Descriptions**

Bit	Field	Type	Reset or Default	Reset by Reg_RST	Reset by WATCHDOG	Bit Value	Description
7	TSHUT_FLAG	R	0h	Y	N/A	N/A	Thermal Shutdown Flag. An $\overline{\text{INT}}$ is sent when this event happens, and is cleared when read.
6	TSHUT_STAT	R	0h	Y	N/A	N/A	Thermal Shutdown Status. This register is 1 until the event no longer persists.
5	VBUS_ERRORLO_STAT	R	0h	Y	N/A	N/A	VBUS is too low for the converter to start switching. This bit shows the current status, and is 0 only when the event is not happening.
4	VBUS_ERRORHI_STAT	R	0h	Y	N/A	N/A	VBUS is too high for the converter to start switching. This bit shows the current status, and is 0 only when the event is not happening.
3	SS_TIMEOUT_FLAG	R	0h	N	N/A	N/A	Soft-Start Timeout Flag. If the current is not ramped to the proper level in SS_TIMEOUT_SET[1:0] time, the converter will stop switching. An $\overline{\text{INT}}$ is sent when this event happens, and is cleared when read.
2	CONV_SWITCHING_STAT	R	0h	N	N/A	N/A	An interrupt is sent when the converter starts switching and the SS timer starts. The adapter current must be ramped to the IBUS_UCP_RISE threshold SS_TIMEOUT or switching will stop. This bit is not maskable. Only one $\overline{\text{INT}}$ is set when switching starts. The bit can be read at any time to determine if the part is switching or not.
1	CONV_OCP_FLAG	R	0h	N	N/A	N/A	Converter Overcurrent Flag. When any internal switching FET reaches current limit, an $\overline{\text{INT}}$ is sent when this event happens, and is cleared when read.

**表 9-16. CONVERTER\_STATE Register Field Descriptions (continued)**

Bit	Field	Type	Reset or Default	Reset by Reg_RST	Reset by WATCHDOG	Bit Value	Description
0	PIN_DIAG_FAIL_FLAG	R	0h	Y	N/A	N/A	Pin Diagnostic Fail Flag. When CHG_EN is set to '1', several fault conditions are checked on the CFLY and VOUT pins to ensure proper operation. If a diagnostic fails, an $\overline{\text{INT}}$ is sent when this event happens, and is cleared when read.

### 9.6.1.12 CONTROL Register (Address = Bh) [reset = 40h]

CONTROL is shown in [图 9-24](#) and described in [表 9-17](#).

Return to [Summary Table](#).

All bits are RESET BY REG\_RST.

**图 9-24. CONTROL Register**

7	6	5	4	3	2	1	0
REG_RST	FSW_SET[2:0]			WD_TIMEOUT_FLAG	WATCHDOG_DIS	WATCHDOG[1:0]	
R/W-0h	R/W-4h			R-0h	R/W-0h	R/W-0h	

**表 9-17. CONTROL Register Field Descriptions**

Bit	Field	Type	Reset or Default	Reset by Reg_RST	Reset by WATCHDOG	Bit Value	Description
7	REG_RST	R/W	0h	Y	N	N/A	0 = No Register Reset 1 = Reset Registers to their Default Values Always reads 0
6	FSW_SET[2]	R/W	1h	N	N	N/A	Set the Switching Frequency 000: Slowest (187.5 kHz) 001: 250 kHz 010: 300 kHz 011: 375 kHz 100: 500 kHz (default) 101-111: Fastest (750 kHz) If master or slave, max frequency is 500 kHz
5	FSW_SET[1]	R/W	0h	N	N	N/A	
4	FSW_SET[0]	R/W	0h	N	N	N/A	
3	WD_TIMEOUT_FLAG	R	0h	Y	N/A	N/A	Watchdog Timeout Flag. An INT is sent when this event happens, and is cleared when read.
2	WATCHDOG_DIS	R/W	0h	Y	N	N/A	0 = Watchdog Enabled 1 = Watchdog Disabled
1	WATCHDOG[1]	R/W	0h	Y	N	N/A	Watchdog Timing, (Cleared by any completed read or write I <sup>2</sup> C transaction) 00 = 0.5 s (default) 01 = 1 s 10 = 5 s 11 = 30 s
0	WATCHDOG[0]	R/W	0h	Y	N	N/A	

### 9.6.1.13 CHRГ\_CTRL Register (Address = Ch) [reset = 0h]

CHRГ\_CTRL is shown in [图 9-25](#) and described in [表 9-18](#).

Return to [Summary Table](#).

All bits are RESET BY REG\_RST.

**图 9-25. CHRГ\_CTRL Register**

7	6	5	4	3	2	1	0
CHG_EN	MS[1:0]		FREQ_SHIFT[1:0]		TSBUS_DIS	TSBAT_DIS	TDIE_DIS
R/W-0h	R-0h		R/W-0h		R/W-0h	R/W-0h	R/W-0h

**表 9-18. CHRГ\_CTRL Register Field Descriptions**

Bit	Field	Type	Reset or Default	Reset by Reg_RST	Reset by WATCH DOG	Bit Value	Description
7	CHG_EN	R/W	0h	Y	Y	N/A	0 = Charge disabled 1 = Charge enabled
6-5	MS[1:0]	R	0h	Y	N/A	N/A	Master, Slave, or Standalone Operation. 00 = Standalone 01 = Slave 1X = Master
4-3	FREQ_SHIFT[1:0]	R/W	0h	Y	N	N/A	Adjust Fsw for EMI. 00 = Nominal Frequency 01 = +10% 10 = - 10% 11 = Spread Spectrum varies frequency ±10%
2	TSBUS_DIS	R/W	0h	Y	N	N/A	Disable TSBUS protection function. 0 = Enabled 1 = Disable
1	TSBAT_DIS	R/W	0h	Y	N	N/A	Disable TSBAT protection function. 0 = Enabled 1 = Disable
0	TDIE_DIS	R/W	0h	Y	N	N/A	Disable TDIE protection function.

### 9.6.1.14 INT\_STAT Register (Address = Dh) [reset = xh]

INT\_STAT is shown in 图 9-26 and described in 表 9-19.

Return to [Summary Table](#).

Shows current status. All bits are RESET BY REG\_RST.

图 9-26. INT\_STAT Register

7	6	5	4	3	2	1	0
BAT_OVP_ALM_STAT	BAT_OCP_ALM_STAT	BUS_OVP_ALM_STAT	BUS_OCP_ALM_STAT	BAT_UCP_ALM_STAT	ADAPTER_INSERT_STAT	VBAT_INSERT_STAT	ADC_DONE_STAT
R-x	R-x	R-x	R-x	R-x	R-x	R-x	R-x

表 9-19. INT\_STAT Register Field Descriptions

Bit	Field	Type	Reset or Default	Reset by REG_RST	Reset By WATCH DOG	Bit Value	Description
7	BAT_OVP_ALM_STAT	R	x	N	N/A	N/A	BAT_OVP_ALM threshold is exceeded.
6	BAT_OCP_ALM_STAT	R	x	N	N/A	N/A	BAT_OCP_ALM threshold is exceeded.
5	BUS_OVP_ALM_STAT	R	x	N	N/A	N/A	BUS_OVP_ALM threshold is exceeded.
4	BUS_OCP_ALM_STAT	R	x	N	N/A	N/A	BUS_OCP_ALM threshold is exceeded.
3	BAT_UCP_ALM_STAT	R	x	N	N/A	N/A	BAT_UCP_ALM is below the threshold.
2	ADAPTER_INSERT_STAT	R	x	N	N/A	N/A	BUS voltage is present and above the VBUS UVLO threshold.
1	VBAT_INSERT_STAT	R	x	N	N/A	N/A	BAT voltage is present.
0	ADC_DONE_STAT	R	x	N	N/A	N/A	Indicates if the ADC conversion is complete for the requested parameters in 1-Shot Mode only. This bit will change to '0' when an ADC conversion is requested in 1-Shot Mode, and it will change back to '1' when the conversion is complete. During continuous conversion mode, this bit will be 0. 0 = Conversion not complete 1 = Conversion complete

### 9.6.1.15 INT\_FLAG Register (Address = Eh) [reset = xh]

INT\_FLAG is shown in [图 9-27](#) and described in [表 9-20](#).

Return to [Summary Table](#).

Only clears upon read. All bits are RESET BY REG\_RST.

**图 9-27. INT\_FLAG Register**

7	6	5	4	3	2	1	0
BAT_OVP_ALM_FLAG	BAT_OCP_ALM_FLAG	BUS_OVP_ALM_FLAG	BUS_OCP_ALM_FLAG	BAT_UCP_ALM_FLAG	ADAPTER_INSERT_FLAG	VBAT_INSERT_FLAG	ADC_DONE_FLAG
R-x	R-x	R-x	R-x	R-x	R-x	R-x	R-x

**表 9-20. INT\_FLAG Register Field Descriptions**

Bit	Field	Type	Reset or Default	Reset by REG_RST	Reset by WATCH DOG	Bit Value	Description
7	BAT_OVP_ALM_FLAG	R	x	N	N/A	N/A	BAT_OVP_ALM threshold has been exceeded.
6	BAT_OCP_ALM_FLAG	R	x	N	N/A	N/A	BAT_OCP_ALM threshold has been exceeded.
5	BUS_OVP_ALM_FLAG	R	x	N	N/A	N/A	BUS_OVP_ALM threshold has been exceeded.
4	BUS_OCP_ALM_FLAG	R	x	N	N/A	N/A	BUS_OCP_ALM threshold has been exceeded.
3	BAT_UCP_ALM_FLAG	R	x	N	N/A	N/A	BAT_UCP_ALM has fallen below the threshold.
2	ADAPTER_INSERT_FLAG	R	x	N	N/A	N/A	BUS voltage has been present and above the VBUS UVLO threshold.
1	VBAT_INSERT_FLAG	R	x	N	N/A	N/A	BAT voltage has been present.
0	ADC_DONE_FLAG	R	x	N	N/A	N/A	0 = Conversion not complete 1 = Conversion complete

### 9.6.1.16 INT\_MASK Register (Address = Fh) [reset = 0h]

INT\_MASK is shown in [图 9-28](#) and described in [表 9-21](#).

Return to [Summary Table](#).

INT will not assert low if enabled. All bits are RESET BY REG\_RST.

**图 9-28. INT\_MASK Register**

7	6	5	4	3	2	1	0
BAT_OVP_ALM_MASK	BAT_OCP_ALM_MASK	BUS_OVP_ALM_MASK	BUS_OCP_ALM_MASK	BAT_UCP_ALM_MASK	ADAPTER_INSERT_MASK	VBAT_INSERT_MASK	ADC_DONE_MASK
R/W-0h	R/W-0h	R/W-0h	R/W-0h	R/W-0h	R/W-0h	R/W-0h	R/W-0h

**表 9-21. INT\_MASK Register Field Descriptions**

Bit	Field	Type	Reset or Default	Reset by REG_RST	Reset by WATCH DOG	Bit Value	Description
7	BAT_OVP_ALM_MASK	R/W	0h	Y	N	N/A	Masks BAT Overvoltage Alarm Event. 0 = Not Masked 1 = Masked
6	BAT_OCP_ALM_MASK	R/W	0h	Y	N	N/A	Masks BAT Overcurrent Alarm Event. 0 = Not Masked 1 = Masked
5	BUS_OVP_ALM_MASK	R/W	0h	Y	N	N/A	Masks BUS Overvoltage Alarm Event. 0 = Not Masked 1 = Masked
4	BUS_OCP_ALM_MASK	R/W	0h	Y	N	N/A	Masks BUS Overcurrent Alarm Event. 0 = Not Masked 1 = Masked
3	BAT_UCP_ALM_MASK	R/W	0h	Y	N	N/A	Masks BAT_UCP Alarm Event. 0 = Not Masked 1 = Masked
2	ADAPTER_INSERT_MASK	R/W	0h	Y	N	N/A	Masks a ADAPTER_INSERT Event. 0 = Not Masked 1 = Masked
1	VBAT_INSERT_MASK	R/W	0h	Y	N	N/A	Masks a VBAT INSERT EVENT. 0 = Not Masked 1 = Masked
0	ADC_DONE_MASK	R/W	0h	Y	N	N/A	Masks a ADC DONE Event. 0 = Not Masked 1 = Masked



### 9.6.1.17 FLT\_STAT Register (Address = 10h) [reset = xh]

FLT\_STAT is shown in [图 9-29](#) and described in [表 9-22](#).

Return to [Summary Table](#).

Shows current status. All bits are RESET BY REG\_RST.

**图 9-29. FLT\_STAT Register**

7	6	5	4	3	2	1	0
BAT_OVP_FLT_STAT	BAT_OCP_FLT_STAT	BUS_OVP_FLT_STAT	BUS_OCP_FLT_STAT	TSBUS_TSBAT_ALM_STAT	TSBAT_FLT_STAT	TSBUS_FLT_STAT	TDIE_ALM_STAT
R-x	R-x	R-x	R-x	R-x	R-x	R-x	R-x

**表 9-22. FLT\_STAT Register Field Descriptions**

Bit	Field	Type	Reset or Default	Reset by REG_RST	Reset by WATCH DOG	Bit Value	Description
7	BAT_OVP_FLT_STAT	R	x	N	N/A	N/A	Indicates a BAT Overvoltage Event is occurring.
6	BAT_OCP_FLT_STAT	R	x	N	N/A	N/A	Indicates a BAT Overcurrent Event is occurring.
5	BUS_OVP_FLT_STAT	R	x	N	N/A	N/A	Indicates a BUS Overvoltage Event is occurring.
4	BUS_OCP_FLT_STAT	R	x	N	N/A	N/A	Indicates a BUS Overcurrent Event is occurring.
3	TSBUS_TSBAT_ALM_STAT	R	x	N	N/A	N/A	Indicates that the TSBUS or TSBAT threshold is within 5% of the TSBUS_FLT or TSBAT_FLT set threshold.
2	TSBAT_FLT_STAT	R	x	N	N/A	N/A	Indicates a BAT Over Temp Fault has Occurred TSBAT voltage falls below TSBAT_FLT setting.
1	TSBUS_FLT_STAT	R	x	N	N/A	N/A	Indicates a BUS Over Temp Fault has Occurred TSBUS voltage falls below TSBUS_FLT setting.
0	TDIE_ALM_STAT	R	x	N	N/A	N/A	Indicates a DIE Over Temp Fault has Occurred TDIE_ALM temp has been exceeded.

### 9.6.1.18 FLT\_FLAG Register (Address = 11h) [reset = xh]

FLT\_FLAG is shown in [图 9-30](#) and described in [表 9-23](#).

Return to [Summary Table](#).

Only clears upon read. All bits are RESET BY REG\_RST.

**图 9-30. FLT\_FLAG Register**

7	6	5	4	3	2	1	0
BAT_OVP_FLT_FLAG	BAT_OCP_FLT_FLAG	BUS_OVP_FLT_FLAG	BUS_OCP_FLT_FLAG	TSBUS_TSBAT_ALM_FLAG	TSBAT_FLT_FLAG	TSBUS_FLT_FLAG	TDIE_ALM_FLAG
R-x	R-x	R-x	R-x	R-x	R-x	R-x	R-x

**表 9-23. FLT\_FLAG Register Field Descriptions**

Bit	Field	Type	Reset or Default	Reset By REG_RST	Reset by WATCH DOG	Bit Value	Description
7	BAT_OVP_FLT_FLAG	R	x	N	N/A	N/A	Indicates a BAT Overvoltage Event has occurred.
6	BAT_OCP_FLT_FLAG	R	x	N	N/A	N/A	Indicates a BAT Overcurrent Event has occurred.
5	BUS_OVP_FLT_FLAG	R	x	N	N/A	N/A	Indicates a BUS Overvoltage Event has occurred.
4	BUS_OCP_FLT_FLAG	R	x	N	N/A	N/A	Indicates a BUS Overcurrent Event has occurred.
3	TSBUS_TSBAT_ALM_FLAG	R	x	N	N/A	N/A	Indicates that the TSBUS or TSBAT threshold has been within 5% of the TSBUS_FLT or TSBAT_FLT set threshold.
2	TSBAT_FLT_FLAG	R	x	N	N/A	N/A	Indicates a BAT Temp Fault has Occurred.
1	TSBUS_FLT_FLAG	R	x	N	N/A	N/A	Indicates a BUS Temp Fault has Occurred.
0	TDIE_ALM_FLAG	R	x	N	N/A	N/A	Indicates a DIE Temp Fault has Occurred.

### 9.6.1.19 FLT\_MASK Register (Address = 12h) [reset = 0h]

FLT\_MASK is shown in [图 9-31](#) and described in [表 9-24](#).

Return to [Summary Table](#).

INT will not assert if enabled. All bits are RESET BY REG\_RST.

**图 9-31. FLT\_MASK Register**

7	6	5	4	3	2	1	0
BAT_OVP_FLT_MASK	BAT_OCP_FLT_MASK	BUS_OVP_FLT_MASK	BUS_OCP_FLT_MASK	TSBUS_TSBAT_ALM_MASK	TSBAT_FLT_MASK	TSBUS_FLT_MASK	TDIE_ALM_MASK
R/W-0h	R/W-0h	R/W-0h	R/W-0h	R/W-0h	R/W-0h	R/W-0h	R/W-0h

**表 9-24. FLT\_MASK Register Field Descriptions**

Bit	Field	Type	Reset or Default	Reset by REG_RST	Reset by WATCH DOG	Bit Value	Description
7	BAT_OVP_FLT_MASK	R/W	0h	Y	N	N/A	Masks BAT Overvoltage Event. 0 = Not Masked 1 = Masked
6	BAT_OCP_FLT_MASK	R/W	0h	Y	N	N/A	Masks BAT Overcurrent Event. 0 = Not Masked 1 = Masked
5	BUS_OVP_FLT_MASK	R/W	0h	Y	N	N/A	Masks BUS Overvoltage Event. 0 = Not Masked 1 = Masked
4	BUS_OCP_FLT_MASK	R/W	0h	Y	N	N/A	Masks BUS Overcurrent Event. 0 = Not Masked 1 = Masked
3	TSBUS_TSBAT_ALM_MASK	R/W	0h	Y	N	N/A	Masks TSBUS_TSBAT_ALM Event. 0 = Not Masked 1 = Masked
2	TSBAT_FLT_MASK	R/W	0h	Y	N	N/A	Masks a BAT Temp Fault. 0 = Not Masked 1 = Masked
1	TSBUS_FLT_MASK	R/W	0h	Y	N	N/A	Masks a BUS Temp Fault. 0 = Not Masked 1 = Masked
0	TDIE_ALM_MASK	R/W	0h	Y	N	N/A	Masks a DIE Temp Fault. 0 = Not Masked 1 = Masked

### 9.6.1.20 PART\_INFO Register (Address = 13h) [reset = xh]

PART\_INFO is shown in [图 9-32](#) and described in [表 9-25](#).

Return to [Summary Table](#).

**图 9-32. PART\_INFO Register**

7	6	5	4	3	2	1	0
RESERVED[7:4]				DEVICE_ID[3:0]			
R-x				R-x			

**表 9-25. PART\_INFO Register Field Descriptions**

Bit	Field	Type	Reset or Default	Reset by REG_RST	Reset By WATCHD OG	Bit Value	Description
7	RESERVED		0				
6	RESERVED		0				
5	RESERVED		0				
4	RESERVED		1				
3	DEVICE_ID[3]	R	x	x	N/A	x	Device ID 0000 = BQ25970 0001= BQ25971 0110= BQ25968
2	DEVICE_ID[2]	R	x	x	N/A	x	
1	DEVICE_ID[1]	R	x	x	N/A	x	
0	DEVICE_ID[0]	R	x	x	N/A	x	

### 9.6.1.21 ADC\_CTRL Register (Address = 14h) [reset = xh]

ADC\_CTRL is shown in [图 9-33](#) and described in [表 9-26](#).

Return to [Summary Table](#).

Bits 7-3 and bit 0 are RESET BY REG\_RST.

**图 9-33. ADC\_CTRL Register**

7	6	5	4	3	2	1	0
ADC_EN	ADC_RATE	ADC_AVG	ADC_AVG_INIT	ADC_SAMPLE[1:0]		RESERVED	IBUS_ADC_DIS
R/W-0h	R/W-0h	R/W-0h	R/W-0h	R/W-0h		0	R/W-0h

**表 9-26. ADC\_CTRL Register Field Descriptions**

Bit	Field	Type	Reset or Default	Reset By REG_RST	Reset By WATCH DOG	Bit Value	Description
7	ADC_EN	R/W	0h	Y	Y	N/A	Enable ADC 0 = Disabled 1 = Enabled
6	ADC_RATE	R/W	0h	Y	N	N/A	0 = Continuous Conversion 1 = One-shot
5	ADC_AVG	R/W	0h	Y	N	N/A	0 = Single Value 1 = Running Average
4	ADC_AVG_INIT	R/W	0h	Y	N	N/A	0 = Start averaging using the existing register value 1 = Start averaging using a new ADC conversion
3-2	ADC_SAMPLE[1:0]	R/W	0h	Y	N	N/A	Sample speed of the ADC. 00 = 15-bit effective resolution 01 = 14-bit effective resolution 10 = 13-bit effective resolution 11 = 12-bit effective resolution
1	RESERVED		0				
0	IBUS_ADC_DIS	R/W	0h	Y	N	N/A	0 = Enable Conversion 1 = Disable Conversion

### 9.6.1.22 ADC\_FN\_DISABLE Register (Address = 15h) [reset = 0h]

ADC\_FN\_DIS is shown in [图 9-34](#) and described in [表 9-27](#).

Return to [Summary Table](#).

All bits are RESET BY REG\_RST.

**图 9-34. ADC\_FN\_DISABLE Register**

7	6	5	4	3	2	1	0
VBUS_ADC_DIS	VAC_ADC_DIS	VOUT_ADC_DIS	VBAT_ADC_DIS	IBAT_ADC_DIS	TSBUS_ADC_DIS	TSBAT_ADC_DIS	TDIE_ADC_DIS
R/W-0h	R/W-0h	R/W-0h	R/W-0h	R/W-0h	R/W-0h	R/W-0h	R/W-0h

**表 9-27. ADC\_FN\_DISABLE Register Field Descriptions**

Bit	Field	Type	Reset or Default	Reset by REG_RST	Reset By WATCH DOG	Bit Value	Description
7	VBUS_ADC_DIS	R/W	0h	Y	N	N/A	0 = Enable Conversion 1 = Disable Conversion
6	VAC_ADC_DIS	R/W	0h	Y	N	N/A	
5	VOUT_ADC_DIS	R/W	0h	Y	N	N/A	
4	VBAT_ADC_DIS	R/W	0h	Y	N	N/A	
3	IBAT_ADC_DIS	R/W	0h	Y	N	N/A	
2	TSBUS_ADC_DIS	R/W	0h	Y	N	N/A	
1	TSBAT_ADC_DIS	R/W	0h	Y	N	N/A	
0	TDIE_ADC_DIS	R/W	0h	Y	N	N/A	

### 9.6.1.23 IBUS\_ADC1 Register (Address = 16h) [reset = xh]

IBUS\_ADC1 is shown in [图 9-35](#) and described in [表 9-28](#).

Return to [Summary Table](#).

All bits are RESET BY REG\_RST.

**图 9-35. IBUS\_ADC1 Register**

7	6	5	4	3	2	1	0
IBUS_POL		IBUS_ADC[14:8]					
R-x		R-x					

**表 9-28. IBUS\_ADC1 Register Field Descriptions**

Bit	Field	Type	Reset or Default	Reset By REG_RST	Reset By WATCH DOG	Bit Value	Description
7	IBUS_POL	R	x	Y	N/A	N/A	Reported in Two's Complement. 0 = Result is positive 1 = Result is negative
6	IBUS_ADC[14]	R	x	Y	N/A	16384 mA	Current of IBUS
5	IBUS_ADC[13]	R	x	Y	N/A	8192 mA	
4	IBUS_ADC[12]	R	x	Y	N/A	4096 mA	
3	IBUS_ADC[11]	R	x	Y	N/A	2048 mA	
2	IBUS_ADC[10]	R	x	Y	N/A	1024 mA	
1	IBUS_ADC[9]	R	x	Y	N/A	512 mA	
0	IBUS_ADC[8]	R	x	Y	N/A	256 mA	

### 9.6.1.24 IBUS\_ADC0 Register (Address = 17h) [reset = xh]

IBUS\_ADC0 is shown in [图 9-36](#) and described in [表 9-29](#).

Return to [Summary Table](#).

All bits are RESET BY REG\_RST.

**图 9-36. IBUS\_ADC0 Register**

7	6	5	4	3	2	1	0
IBUS_ADC[7:0]							
R-x							

表 9-29. IBUS\_ADC0 Register Field Descriptions

Bit	Field	Type	Reset or Default	Reset By REG_RST	Reset By WATCH DOG	Bit Value	Description
7	IBUS_ADC[7]	R	x	Y	N/A	128 mA	
6	IBUS_ADC[6]	R	x	Y	N/A	64 mA	
5	IBUS_ADC[5]	R	x	Y	N/A	32 mA	
4	IBUS_ADC[4]	R	x	Y	N/A	16 mA	
3	IBUS_ADC[3]	R	x	Y	N/A	8 mA	
2	IBUS_ADC[2]	R	x	Y	N/A	4 mA	
1	IBUS_ADC[1]	R	x	Y	N/A	2 mA	
0	IBUS_ADC[0]	R	x	Y	N/A	1 mA	

### 9.6.1.25 VBUS\_ADC1 Register (Address = 18h) [reset = xh]

VBUS\_ADC1 is shown in [图 9-37](#) and described in [表 9-30](#).

Return to [Summary Table](#).

All bits are RESET BY REG\_RST.

图 9-37. VBUS\_ADC1 Register

7	6	5	4	3	2	1	0
VBUS_POL	VBUS_ADC[14:8]						
R-x	R-x						

表 9-30. VBUS\_ADC1 Register Field Descriptions

Bit	Field	Type	Reset or Default	Reset By REG_RST	Reset By WATCH DOG	Bit Value	Description
7	VBUS_POL	R	x	Y	N/A	N/A	Reported in Two's Complement. 0 = Result is positive 1 = Result is negative
6	VBUS_ADC[14]	R	x	Y	N/A	16384 mV	Voltage of VBUS
5	VBUS_ADC[13]	R	x	Y	N/A	8192 mV	
4	VBUS_ADC[12]	R	x	Y	N/A	4096 mV	
3	VBUS_ADC[11]	R	x	Y	N/A	2048 mV	
2	VBUS_ADC[10]	R	x	Y	N/A	1024 mV	
1	VBUS_ADC[9]	R	x	Y	N/A	512 mV	
0	VBUS_ADC[8]	R	x	Y	N/A	256 mV	

### 9.6.1.26 VBUS\_ADC0 Register (Address = 19h) [reset = xh]

VBUS\_ADC0 is shown in [图 9-38](#) and described in [表 9-31](#).

Return to [Summary Table](#).

All bits are RESET BY REG\_RST.

图 9-38. VBUS\_ADC0 Register

7	6	5	4	3	2	1	0



图 9-38. VBUS\_ADC0 Register (continued)

VBUS_ADC[7:0]
R-x

表 9-31. VBUS\_ADC0 Register Field Descriptions

Bit	Field	Type	Reset or Default	Reset By REG_RST	Reset By WATCH DOG	Bit Value	Description
7	VBUS_ADC[7]	R	x	Y	N/A	128 mV	
6	VBUS_ADC[6]	R	x	Y	N/A	64 mV	
5	VBUS_ADC[5]	R	x	Y	N/A	32 mV	
4	VBUS_ADC[4]	R	x	Y	N/A	16 mV	
3	VBUS_ADC[3]	R	x	Y	N/A	8 mV	
2	VBUS_ADC[2]	R	x	Y	N/A	4 mV	
1	VBUS_ADC[1]	R	x	Y	N/A	2 mV	
0	VBUS_ADC[0]	R	x	Y	N/A	1 mV	

#### 9.6.1.27 VAC\_ADC1 Register (Address = 1Ah) [reset = xh]

VAC\_ADC1 is shown in 图 9-39 and described in 表 9-32.

Return to [Summary Table](#).

All bits are RESET BY REG\_RST.

图 9-39. VAC\_ADC1 Register

7	6	5	4	3	2	1	0
VAC_POL		VAC_ADC[14:8]					
R-x		R-x					

表 9-32. VAC\_ADC1 Register Field Descriptions

Bit	Field	Type	Reset or Default	Reset by REG_RST	Reset by WATCH DOG	Bit Value	Description
7	VAC_POL	R	x	Y	N/A	N/A	Reported in Two's Complement. 0 = Result is positive 1 = Result is negative
6	VAC_ADC[14]	R	x	Y	N/A	16384 mV	Voltage of VAC
5	VAC_ADC[13]	R	x	Y	N/A	8192 mV	
4	VAC_ADC[12]	R	x	Y	N/A	4096 mV	
3	VAC_ADC[11]	R	x	Y	N/A	2048 mV	
2	VAC_ADC[10]	R	x	Y	N/A	1024 mV	
1	VAC_ADC[9]	R	x	Y	N/A	512 mV	
0	VAC_ADC[8]	R	x	Y	N/A	256 mV	

#### 9.6.1.28 VAC\_ADC0 Register (Address = 1Bh) [reset = xh]

VAC\_ADC0 is shown in 图 9-40 and described in 表 9-33.

Return to [Summary Table](#).

All bits are RESET BY REG\_RST.

图 9-40. VAC\_ADC0 Register

7	6	5	4	3	2	1	0
VAC_ADC[7:0]							
R-x							

表 9-33. VAC\_ADC0 Register Field Descriptions

Bit	Field	Type	Reset or Default	Reset by REG_RST	Reset by WATCH DOG	Bit Value	Description
7	VAC_ADC[7]	R	x	Y	N/A	128 mV	
6	VAC_ADC[6]	R	x	Y	N/A	64 mV	
5	VAC_ADC[5]	R	x	Y	N/A	32 mV	
4	VAC_ADC[4]	R	x	Y	N/A	16 mV	
3	VAC_ADC[3]	R	x	Y	N/A	8 mV	
2	VAC_ADC[2]	R	x	Y	N/A	4 mV	
1	VAC_ADC[1]	R	x	Y	N/A	2 mV	
0	VAC_ADC[0]	R	x	Y	N/A	1 mV	

#### 9.6.1.29 VOUT\_ADC1 Register (Address = 1Ch) [reset = xh]

VOUT\_ADC1 is shown in 图 9-41 and described in 表 9-34.

Return to [Summary Table](#).

All bits are RESET BY REG\_RST.

图 9-41. VOUT\_ADC1 Register

7	6	5	4	3	2	1	0
VOUT_POL	VOUT_ADC[14:8]						
R-x	R-x						

表 9-34. VOUT\_ADC1 Register Field Descriptions

Bit	Field	Type	Reset or Default	Reset by REG_RST	Reset by WATCH DOG	Bit Value	Description
7	VOUT_POL	R	x	Y	N/A	N/A	Reported in Two's Complement. 0 = Result is positive 1 = Result is negative
6	VOUT_ADC[14]	R	x	Y	N/A	16384 mV	Voltage of VOUT
5	VOUT_ADC[13]	R	x	Y	N/A	8192 mV	
4	VOUT_ADC[12]	R	x	Y	N/A	4096 mV	
3	VOUT_ADC[11]	R	x	Y	N/A	2048 mV	
2	VOUT_ADC[10]	R	x	Y	N/A	1024 mV	
1	VOUT_ADC[9]	R	x	Y	N/A	512 mV	
0	VOUT_ADC[8]	R	x	Y	N/A	256 mV	

#### 9.6.1.30 VOUT\_ADC0 Register (Address = 1Dh) [reset = xh]

VOUT\_ADC0 is shown in 图 9-42 and described in 表 9-35.

Return to [Summary Table](#).

All bits are RESET BY REG\_RST.

图 9-42. VOUT\_ADC0 Register

7	6	5	4	3	2	1	0
VOUT_ADC[7:0]							
R-x							

表 9-35. VOUT\_ADC0 Register Field Descriptions

Bit	Field	Type	Reset or Default	Reset by REG_RST	Reset by WATCH DOG	Bit Value	Description
7	VOUT_ADC[7]	R	x	Y	N/A	128 mV	
6	VOUT_ADC[6]	R	x	Y	N/A	64 mV	
5	VOUT_ADC[5]	R	x	Y	N/A	32 mV	
4	VOUT_ADC[4]	R	x	Y	N/A	16 mV	
3	VOUT_ADC[3]	R	x	Y	N/A	8 mV	
2	VOUT_ADC[2]	R	x	Y	N/A	4 mV	
1	VOUT_ADC[1]	R	x	Y	N/A	2 mV	
0	VOUT_ADC[0]	R	x	Y	N/A	1 mV	

### 9.6.1.31 VBAT\_ADC1 Register (Address = 1Eh) [reset = xh]

VBAT\_ADC1 is shown in [图 9-43](#) and described in [表 9-36](#).

Return to [Summary Table](#).

All bits are RESET BY REG\_RST.

图 9-43. VBAT\_ADC1 Register

7	6	5	4	3	2	1	0
VBAT_POL		VBAT_ADC[14:8]					
R-x		R-x					

表 9-36. VBAT\_ADC1 Register Field Descriptions

Bit	Field	Type	Reset or Default	Reset by REG_RST	Reset by WATCH DOG	Bit Value	Description
7	VBAT_POL	R	x	Y	N/A	N/A	Reported in Two's Complement. 0 = Result is positive 1 = Result is negative
6	VBAT_ADC[14]	R	x	Y	N/A	16384 mV	Voltage of VBAT
5	VBAT_ADC[13]	R	x	Y	N/A	8192 mV	
4	VBAT_ADC[12]	R	x	Y	N/A	4096 mV	
3	VBAT_ADC[11]	R	x	Y	N/A	2048 mV	
2	VBAT_ADC[10]	R	x	Y	N/A	1024 mV	
1	VBAT_ADC[9]	R	x	Y	N/A	512 mV	
0	VBAT_ADC[8]	R	x	Y	N/A	256 mV	

### 9.6.1.32 VBAT\_ADC0 Register (Address = 1Fh) [reset = xh]

VBAT\_ADC0 is shown in [图 9-44](#) and described in [表 9-37](#).

Return to [Summary Table](#).

All bits are RESET BY REG\_RST.

**图 9-44. VBAT\_ADC0 Register**

7	6	5	4	3	2	1	0
VBAT_ADC[7:0]							
R-x							

**表 9-37. VBAT\_ADC0 Register Field Descriptions**

Bit	Field	Type	Reset	Reset by REG_RST	Reset by WATCH DOG	Bit Value	Description
7	VBAT_ADC[7]	R	x	Y	N/A	128 mV	
6	VBAT_ADC[6]	R	x	Y	N/A	64 mV	
5	VBAT_ADC[5]	R	x	Y	N/A	32 mV	
4	VBAT_ADC[4]	R	x	Y	N/A	16 mV	
3	VBAT_ADC[3]	R	x	Y	N/A	8 mV	
2	VBAT_ADC[2]	R	x	Y	N/A	4 mV	
1	VBAT_ADC[1]	R	x	Y	N/A	2 mV	
0	VBAT_ADC[0]	R	x	Y	N/A	1 mV	

### 9.6.1.33 IBAT\_ADC1 Register (Address = 20h) [reset = xh]

IBAT\_ADC1 is shown in [图 9-45](#) and described in [表 9-38](#).

Return to [Summary Table](#).

All bits are RESET BY REG\_RST.

**图 9-45. IBAT\_ADC1 Register**

7	6	5	4	3	2	1	0
IBAT_POL	IBAT_ADC[14:8]						
R-x	R-x						

**表 9-38. IBAT\_ADC1 Register Field Descriptions**

Bit	Field	Type	Reset or Default	Reset by REG_RST	Reset by WATCH DOG	Bit Value	Description
7	IBAT_POL	R	x	Y	N/A	N/A	Positive is charging and negative is discharging. Reported in Two's Complement. 0 = Result is positive 1 = Result is negative

表 9-38. IBAT\_ADC1 Register Field Descriptions (continued)

Bit	Field	Type	Reset or Default	Reset by REG_RST	Reset by WATCH DOG	Bit Value	Description
6	IBAT_ADC[14]	R	x	Y	N/A	16384 mA	Current of IBAT
5	IBAT_ADC[13]	R	x	Y	N/A	8192 mA	
4	IBAT_ADC[12]	R	x	Y	N/A	4096 mA	
3	IBAT_ADC[11]	R	x	Y	N/A	2048 mA	
2	IBAT_ADC[10]	R	x	Y	N/A	1024 mA	
1	IBAT_ADC[9]	R	x	Y	N/A	512 mA	
0	IBAT_ADC[8]	R	x	Y	N/A	256 mA	

#### 9.6.1.34 IBAT\_ADC0 Register (Address = 21h) [reset = xh]

IBAT\_ADC0 is shown in 图 9-46 and described in 表 9-39.

Return to [Summary Table](#).

All bits are RESET BY REG\_RST.

图 9-46. IBAT\_ADC0 Register

7	6	5	4	3	2	1	0
IBAT_ADC[7:0]							
R-x							

表 9-39. IBAT\_ADC0 Register Field Descriptions

Bit	Field	Type	Reset or Default	Reset by REG_RST	Reset by WATCH DOG	Bit Value	Description
7	IBAT_ADC[7]	R	x	Y	N/A	128 mA	
6	IBAT_ADC[6]	R	x	Y	N/A	64 mA	
5	IBAT_ADC[5]	R	x	Y	N/A	32 mA	
4	IBAT_ADC[4]	R	x	Y	N/A	16 mA	
3	IBAT_ADC[3]	R	x	Y	N/A	8 mA	
2	IBAT_ADC[2]	R	x	Y	N/A	4 mA	
1	IBAT_ADC[1]	R	x	Y	N/A	2 mA	
0	IBAT_ADC[0]	R	x	Y	N/A	1 mA	

#### 9.6.1.35 TSBUS\_ADC1 Register (Address = 22h) [reset = xh]

TSBUS\_ADC1 is shown in 图 9-47 and described in 表 9-40.

Return to [Summary Table](#).

All bits are RESET BY REG\_RST.

图 9-47. TSBUS\_ADC1 Register

7	6	5	4	3	2	1	0
TSBUS_POL		TSBUS_ADC[14:8]					
R-x		R-x					

表 9-40. TSBUS\_ADC1 Register Field Descriptions

Bit	Field	Type	Reset or Default	Reset by REG_RST	Reset by WATCH DOG	Bit Value	Description
7	TSBUS_POL	R	x	Y	N/A	N/A	Reported in Two's Complement. 0 = Result is positive 1 = Result is negative
6	TSBUS_ADC[14]	R	x	Y	N/A		TSBUS Pin Voltage as a Percentage of VOUT TSBUS Percentage = TSBUS_ADC[8:0] x 0.09766%
5	TSBUS_ADC[13]	R	x	Y	N/A		
4	TSBUS_ADC[12]	R	x	Y	N/A		
3	TSBUS_ADC[11]	R	x	Y	N/A		
2	TSBUS_ADC[10]	R	x	Y	N/A		
1	TSBUS_ADC[9]	R	x	Y	N/A	50%	
0	TSBUS_ADC[8]	R	x	Y	N/A	25%	

### 9.6.1.36 TSBUS\_ADC0 Register (Address = 23h) [reset = xh]

TSBUS\_ADC0 is shown in [图 9-48](#) and described in [表 9-41](#).

Return to [Summary Table](#).

All bits are RESET BY REG\_RST.

**图 9-48. TSBUS\_ADC0 Register**

7	6	5	4	3	2	1	0
TSBUS_ADC[7:0]							
R-x							

**表 9-41. TSBUS\_ADC0 Register Field Descriptions**

Bit	Field	Type	Reset or Default	Reset by REG_RST	Reset by WATCH DOG	Bit Value	Description
7	TSBUS_ADC[7]	R	x	Y	N/A	12.5%	
6	TSBUS_ADC[6]	R	x	Y	N/A	6.25%	
5	TSBUS_ADC[5]	R	x	Y	N/A	3.125%	
4	TSBUS_ADC[4]	R	x	Y	N/A	1.5625%	
3	TSBUS_ADC[3]	R	x	Y	N/A	0.78125%	
2	TSBUS_ADC[2]	R	x	Y	N/A	0.39063%	
1	TSBUS_ADC[1]	R	x	Y	N/A	0.19531%	
0	TSBUS_ADC[0]	R	x	Y	N/A	0.09766%	

### 9.6.1.37 TSBAT\_ADC1 Register (Address = 24h) [reset = xh]

TSBAT\_ADC1 is shown in [图 9-49](#) and described in [表 9-42](#).

Return to [Summary Table](#).

All bits are RESET BY REG\_RST.

**图 9-49. TSBAT\_ADC1 Register**

7	6	5	4	3	2	1	0
TSBAT_POL	TSBAT_ADC[14:8]						
R-x	R-x						

**表 9-42. TSBAT\_ADC1 Register Field Descriptions**

Bit	Field	Type	Reset or Default	Reset by REG_RST	Reset by WATCH DOG	Bit Value	Description
7	TSBAT_POL	R	x	Y	N/A	N/A	Reported in Two's Complement. 0b = Result is positive 1b = Result is negative

表 9-42. TSBAT\_ADC1 Register Field Descriptions (continued)

Bit	Field	Type	Reset or Default	Reset by REG_RST	Reset by WATCH DOG	Bit Value	Description
6	TSBAT_ADC[14]	R	x	Y	N/A		
5	TSBAT_ADC[13]	R	x	Y	N/A		
4	TSBAT_ADC[12]	R	x	Y	N/A		
3	TSBAT_ADC[11]	R	x	Y	N/A		
2	TSBAT_ADC[10]	R	x	Y	N/A		
1	TSBAT_ADC[9]	R	x	Y	N/A	50%	
0	TSBAT_ADC[8]	R	x	Y	N/A	25%	

### 9.6.1.38 TSBAT\_ADC0 Register (Address = 25h) [reset = xh]

TSBAT\_ADC0 is shown in 图 9-50 and described in 表 9-43.

Return to [Summary Table](#).

All bits are RESET BY REG\_RST.

图 9-50. TSBAT\_ADC0 Register

7	6	5	4	3	2	1	0
TSBAT_ADC[7:0]							
R-x							

表 9-43. TSBAT\_ADC0 Register Field Descriptions

Bit	Field	Type	Reset or Default	Reset by REG_RST	Reset by WATCH DOG	Bit Value	Description
7	TSBAT_ADC[7]	R	x	Y	N/A	12.5%	TSBAT Pin Voltage as a Percentage of VOUT TSBAT Percentage = TSBAT_ADC[8:0] x 0.09766%
6	TSBAT_ADC[6]	R	x	Y	N/A	6.25%	
5	TSBAT_ADC[5]	R	x	Y	N/A	3.125%	
4	TSBAT_ADC[4]	R	x	Y	N/A	1.5625%	
3	TSBAT_ADC[3]	R	x	Y	N/A	0.78125%	
2	TSBAT_ADC[2]	R	x	Y	N/A	0.39063%	
1	TSBAT_ADC[1]	R	x	Y	N/A	0.19531%	
0	TSBAT_ADC[0]	R	x	Y	N/A	0.09766%	

### 9.6.1.39 TDIE\_ADC1 Register (Address = 26h) [reset = xh]

TDIE\_ADC1 is shown in 图 9-51 and described in 表 9-44.

Return to [Summary Table](#).

All bits are RESET BY REG\_RST.

图 9-51. TDIE\_ADC1 Register

7	6	5	4	3	2	1	0
TDIE_POL	TDIE_ADC[14:8]						
R-x	R-x						



图 9-51. TDIE\_ADC1 Register (continued)

表 9-44. TDIE\_ADC1 Register Field Descriptions

Bit	Field	Type	Reset or Default	Reset by REG_RST	Reset by WATCH DOG	Bit Value	Description
7	TDIE_POL	R	x	Y	N/A	N/A	Reported in Two's Complement. 0 = Result is positive 1 = Result is negative
6	TDIE_ADC[14]	R	x	Y	N/A		DIE Temperature = 5°C + TDIE_ADC[8:0] * 0.5°C
5	TDIE_ADC[13]	R	x	Y	N/A		
4	TDIE_ADC[12]	R	x	Y	N/A		
3	TDIE_ADC[11]	R	x	Y	N/A		
2	TDIE_ADC[10]	R	x	Y	N/A		
1	TDIE_ADC[9]	R	x	Y	N/A		
0	TDIE_ADC[8]	R	x	Y	N/A	128°C	

#### 9.6.1.40 TDIE\_ADC0 Register (Address = 27h) [reset = xh]

TDIE\_ADC0 is shown in 图 9-52 and described in 表 9-45.

Return to [Summary Table](#).

All bits are RESET BY REG\_RST.

图 9-52. TDIE\_ADC0 Register

7	6	5	4	3	2	1	0
TDIE_ADC[7:0]							
R-x							

表 9-45. TDIE\_ADC0 Register Field Descriptions

Bit	Field	Type	Reset or Default	Reset by REG_RST	Reset by WATCH DOG	Bit Value	Description
7	TDIE_ADC[7]	R	x	Y	N/A	64°C	
6	TDIE_ADC[6]	R	x	Y	N/A	32°C	
5	TDIE_ADC[5]	R	x	Y	N/A	16°C	
4	TDIE_ADC[4]	R	x	Y	N/A	8°C	
3	TDIE_ADC[3]	R	x	Y	N/A	4°C	
2	TDIE_ADC[2]	R	x	Y	N/A	2°C	
1	TDIE_ADC[1]	R	x	Y	N/A	1°C	
0	TDIE_ADC[0]	R	x	Y	N/A	0.5°C	

#### 9.6.1.41 TSBUS\_FLT1 Register (Address = 28h) [reset = 15h]

TSBUS\_FLT1 is shown in 图 9-53 and described in 表 9-46.

Return to [Summary Table](#).

All bits are RESET BY REG\_RST.

图 9-53. TSBUS\_FLT1 Register

7	6	5	4	3	2	1	0
TSBUS_FLT1							

图 9-53. TSBUS\_FLT1 Register (continued)

TSBUS_FLT[7:0]
R/W-75h

表 9-46. TSBUS\_FLT1 Register Field Descriptions

Bit	Field	Type	Reset or Default	Reset by REG_RST	Reset by WATCH DOG	Bit Value	Description
7	TSBUS_FLT[7]	R/W	0h	Y	N	25.00%	TSBUS Percentage Fault Threshold A TSBUS_TSBAT_ALM interrupt will be sent when TSBUS is within 5% of the value set in this register $TSBUS\_FLT = TSBUS\_FLT[7:0] \times 0.19531\%$ Default: 4.1% (b00010101)
6	TSBUS_FLT[6]	R/W	0h	Y	N	12.5%	
5	TSBUS_FLT[5]	R/W	0h	Y	N	6.25%	
4	TSBUS_FLT[4]	R/W	1h	Y	N	3.125%	
3	TSBUS_FLT[3]	R/W	0h	Y	N	1.5625%	
2	TSBUS_FLT[2]	R/W	1h	Y	N	0.78125%	
1	TSBUS_FLT[1]	R/W	0h	Y	N	0.39063%	
0	TSBUS_FLT[0]	R/W	1h	Y	N	0.19531%	

#### 9.6.1.42 TSBAT\_FLT0 Register (Address = 29h) [reset = 15h]

TSBAT\_FLT0 is shown in 图 9-54 and described in 表 9-47.

Return to [Summary Table](#).

All bits are RESET BY REG\_RST.

图 9-54. TSBAT\_FLT0 Register

7	6	5	4	3	2	1	0
TSBAT_FLT[7:0]							
R/W-75h							

表 9-47. TSBAT\_FLT0 Register Field Descriptions

Bit	Field	Type	Reset or Default	Reset by REG_RST	Reset by WATCH DOG	Bit Value	Description
7	TSBAT_FLT[7]	R/W	0	Y	N	25.00%	TSBAT Percentage Fault Threshold A TSBUS_TSBAT_ALM interrupt will be sent when TSBAT is within 5% of the value set in this register. $TSBAT\_FLT = TSBAT\_FLT[7:0] \times 0.19531\%$ Default: 4.1% (b00010101)
6	TSBAT_FLT[6]	R/W	0	Y	N	12.5%	
5	TSBAT_FLT[5]	R/W	0	Y	N	6.25%	
4	TSBAT_FLT[4]	R/W	1	Y	N	3.125%	
3	TSBAT_FLT[3]	R/W	0	Y	N	1.5625%	
2	TSBAT_FLT[2]	R/W	1	Y	N	0.78125%	
1	TSBAT_FLT[1]	R/W	0	Y	N	0.39063%	
0	TSBAT_FLT[0]	R/W	1	Y	N	0.19531%	

#### 9.6.1.43 TDIE\_ALM Register (Address = 2Ah) [reset = C8h]

TDIE\_ALM is shown in 图 9-55 and described in 表 9-48.

Return to [Summary Table](#).

All bits are RESET BY REG\_RST.

图 9-55. TDIE\_ALM Register

7	6	5	4	3	2	1	0
TDIE_ALM[7:0]							
R/W-A8h							

表 9-48. TDIE\_ALM Register Field Descriptions

Bit	Field	Type	Reset or Default	Reset by REG_RST	Reset by WATCH DOG	Bit Value	Description
7	TDIE_ALM[7]	R/W	1h	Y	N	64°C	TDIE Voltage Fault Threshold If the value written to the register is greater than the max or less than the min defined value, the register will be set to the maximum or minimum as necessary. $TDIE\_ALM = 30 + TDIE\_FLT[7:0] \times 0.5^\circ C$ Default: 125C (b11001000)
6	TDIE_ALM[6]	R/W	1h	Y	N	32°C	
5	TDIE_ALM[5]	R/W	0h	Y	N	16°C	
4	TDIE_ALM[4]	R/W	0h	Y	N	8°C	
3	TDIE_ALM[3]	R/W	1h	Y	N	4°C	
2	TDIE_ALM[2]	R/W	0h	Y	N	2°C	
1	TDIE_ALM[1]	R/W	0h	Y	N	1°C	
0	TDIE_ALM[0]	R/W	0h	Y	N	0.5°C	

### 9.6.1.44 CHG\_CTRL Register (Address = 2Bh) [reset = 0h]

图 9-56. CHG\_CTRL Register

7	6	5	4	3	2	1	0
SS_TIMEOUT_SET2	SS_TIMEOUT_SET1	SS_TIMEOUT_SET0	RESERVED	VOUT_OVP_DIS	IBUS_UCP_RISE_THRE	SET_IBAT_SNS_RES	VAC_PD_EN
R/W - 0h			R-x	R/W - 0h			

表 9-49. CHG\_CTRL Register Field Descriptions

Bit	Field	Type	Reset or Default	Reset by REG_RST	Reset by WATCH DOG	Bit Value	Description
7	SS_TIMEOUT_SET2	R/W	0h	N	N	N/A	Adjustable timeout for IBUS to rise to IBUS_UCP_RISE_THRESH
6	SS_TIMEOUT_SET1	R/W	0h	N	N	N/A	000: Timeout Disabled 001: 12.5 ms
5	SS_TIMEOUT_SET0	R/W	0h	N	N	N/A	010: 25 ms 011: 50 ms 100: 100 ms 101: 400 ms 110: 1.5 s 111: 100 s
4	RESERVED	R	x	N	N	N/A	RESERVED
3	VOUT_OVP_DIS	R/W	0h	N	N	N/A	This register disables the VOUT_OVP function.
2	IBUS_UCP_RISE_THRESH	R/W	0h	Y	N	N/A	This is the threshold above which the BUS current must rise to within the SS_TIMEOUT. The value can only be changed prior to enabling switching.0: 300 mA rising, 150 mA falling (typ)1: 500 mA rising, 250 mA falling (typ)
1	SET_IBAT_SNS_RES	R/W	0h	N	N	N/A	This bit selects the external BAT_SNS resistor value. 0: 2 m $\Omega$ 1: 5 m $\Omega$
0	VAC_PD_EN	R/W	0h	Y	N	N/A	When this bit is enabled, it pulls down the VAC for t <sub>VAC_PD</sub> to discharge any bulk input cap on VAC.

**9.6.1.45 VOUT\_OVP\_STAT Register (Address = 2Ch) [reset = 0h]**
**图 9-57. VOUT\_OVP\_STAT Register**

7	6	5	4	3	2	1	0
RESERVED							VOUT_OVP_S TAT
R-x							

LEGEND: R/W = Read/Write; R = Read only; -n = value after reset

**表 9-50. VOUT\_OVP\_STAT Register Field Descriptions**

Bit	Field	Type	Reset or Default	Reset by REG_RST	Reset by WATCH DOG	Bit Value	Description
7-1	RESERVED	R	x	N	N	N/A	RESERVED
0	VOUT_OVP_STAT	R	x	N	N	N/A	This bit is set when VOUT_OVP is active. It is cleared when VOUT_OVP is no longer active.

**9.6.1.46 VOUT\_FLAG\_MASK Register (Address = 2Dh) [reset = 0h]**
**图 9-58. VOUT\_FLAG\_MASK Register**

7	6	5	4	3	2	1	0
RESERVED			VOUT_OVP_FL AG	RESERVED			VOUT_OVP_M ASK
R-X							R/W-0h

LEGEND: R/W = Read/Write; R = Read only; -n = value after reset

**表 9-51. VOUT\_FLAG\_MASK Register Field Descriptions**

Bit	Field	Type	Reset or Default	Reset by REG_RST	Reset by WATCH DOG	Bit Value	Description
7-5	RESERVED	R	x	N	N	N/A	RESERVED
4	VOUT_OVP_FLAG	R	x	N	N	N/A	This bit is set when VOUT_OVP has been active. It is cleared by a read and VOUT_OVP is no longer active.
3-1	RESERVED	R	x	N	N	N/A	RESERVED
0	VOUT_OVP_MASK	R/W	0h	Y	N	N/A	This register masks the interrupt when the part enters exceeds the VOUT_OVP threshold000REG.

### 9.6.1.47 DEGLITCH Register (Address = 2Eh) [reset = 0h]

PULSE\_MODE is shown in [图 9-59](#) and described in [表 9-52](#).

Return to [Summary Table](#).

All bits are RESET BY REG\_RST.

**图 9-59. Deglitch Register**

7	6	5	4	3	2	1	0
RESERVED			VBUS_ERROR_LO_DG_SET	IBUS_LOW_DG_SET	RESERVED		
R/W-0h			R/W-0h	R/W-0h	R/W-0h		

**表 9-52. Deglitch Register Field Descriptions**

Bit	Field	Type	Reset or Default	Reset by REG_RST	Reset by WATCH DOG	Bit Value	Description
7	RESERVED		0h				
6			0h				
5			0h				
4	VBUS_ERROR_LO_DG_SET	R/W	0h	Y	N	N/A	This bit sets the deglitch time for VBUS_ERROR_LO0: 10 μs, 1: 10 ms
3	IBUS_LOW_DG_SET	R/W	0h	Y	N	N/A	This bit sets the deglitch time for IBUS_LOW_DG_SET0: 10 μs, 1: 5 ms
2	RESERVED		0h				
1			0h				
0			0h				

## 10 Application and Implementation

---

### 备注

以下应用部分中的信息不属于 TI 器件规格的范围，TI 不担保其准确性和完整性。TI 的客户应负责确定器件是否适用于其应用。客户应验证并测试其设计，以确保系统功能。

---

### 10.1 Application Information

A typical application consists of the device configured as an I<sup>2</sup>C controlled parallel charger along with a standard switching charger, however, it can also be used with a linear charger or PMIC with integrated charger as well. For simplicity, it is called the primary charger. As shown in [图 9-2](#) the device can start fast charging after the primary charger completes precharging, where the BQ25890 is used as the primary charger. The device will then hand back charging to the primary charger when final current tapering is desired. This point is usually where the efficiency of the primary charger is acceptable for the application. The device can be used to charge Li-ion and Li-polymer batteries used in a wide range of smartphones and other portable devices. To take advantage of the high charge current capabilities of the BQ25968, it may be necessary to charge in excess of 1C. In this case, be sure to follow the battery manufacturers recommendations closely.

### 10.2 Typical Application

The BQ25968 system implementation on the charging device can be very small. A typical schematic is shown below with all the optional and required components shown.



### 10.2.1 Standalone Application Information (for use with switching charger)

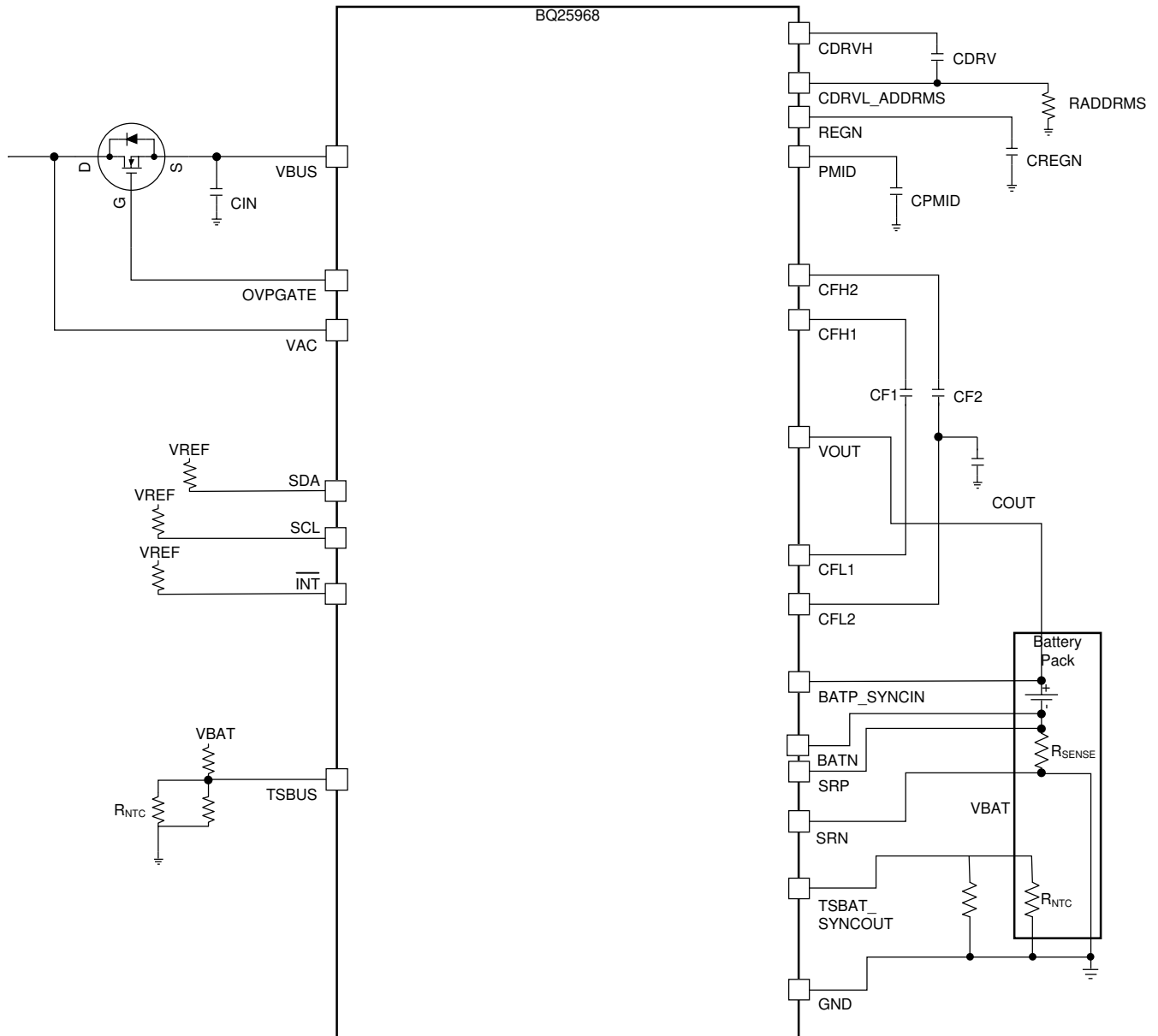


图 10-1. Typical Schematic for BQ25968

#### 10.2.1.1 Design Requirements

The design requires a smart wall adapter to provide the proper input voltage and input current to the BQ25968, following the USB\_PD Programmable Power Supply (PPS) voltage steps and current steps. The design shown is capable of charging up to 6 A, although this may not be practical for some applications due to the total power loss at this operating point. Careful consideration of the thermal constraints, space constraints, and operating conditions should be done to ensure acceptable performance.

#### 10.2.1.2 Detailed Design Procedure

The first step is the determine if an external OVP FET is required in the application. Choosing to include the external OVP FET allows protection of the device if an over-voltage event occurs. If not using the external OVP FET capable part (BQ25970 or BQ25968), it is recommended to have some other TVS mechanism to protect the device.

The next step is to determine the number of CFLY caps to put on each phase of the design. It is important to consider the current rating of the caps, their ESR, and the capacitance rating. Be sure to consider the bias voltage derating for the caps, as the CFLY caps are biased to half of the input voltage, and this will affect their effective capacitance. An optimal system will have four 22- $\mu\text{F}$  caps per phase, for a total of 8 caps per device. The recommended parts for this configuration are shown below, and result in the lowest cost, acceptable efficiency, and acceptable voltage and current ripple. It is possible to use fewer caps, with a minimum recommendation of 3. Using fewer caps will result in higher voltage and current ripple on the output, as well as lower efficiency. Using more than 4 caps per phase will not significantly improve the output voltage or current ripple, or efficiency.

The default switching frequency,  $f_{\text{SW}}$ , for the power stage is 500 kHz. The switching frequency can be adjusted in register 0x0Bh using the FSW\_SET bits. Using a lower switching frequency will increase the efficiency, but also increase the voltage and current ripple. If using 3 22- $\mu\text{F}$  caps per phase, it is recommended to use the default  $f_{\text{SW}}$  of 500 kHz. If using 4 22- $\mu\text{F}$  caps per phase, either 500 kHz or 300 kHz is recommended.

表 10-1. BQ25968 Capacitors

CAPACITANCE ( $\mu\text{F}$ )	SIZE, VOLTAGE RATING, TEMP CHAR	CAPACITOR TYPE	SUPPLIER <sup>(1)</sup>	COMMENT
20	0704, 16 V, X5R	GRMJN7R61C206ME05	Murata	Lowest ESR (high efficiency) when using four caps
22	0603, 10 V, X5R	GRM188R61A226ME15	Murata	Lowest Cost and Smallest Size (Recommended) when using four caps

(1) See Third-party Products Disclaimer

### 10.2.1.3 Application Curves

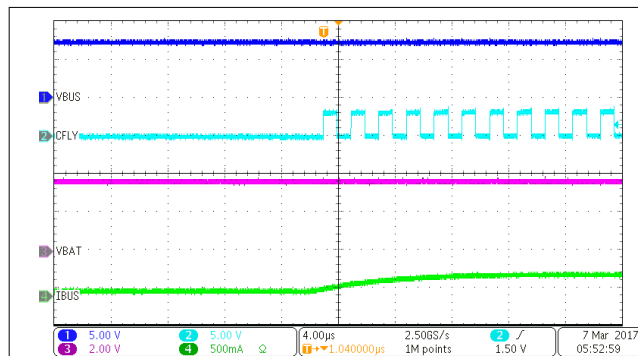


图 10-2. Power Up

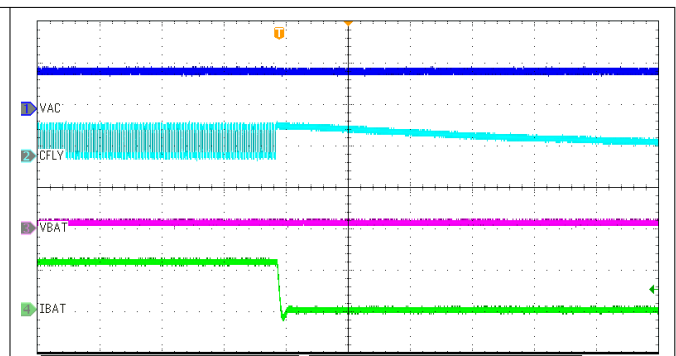


图 10-3. Disable Charge

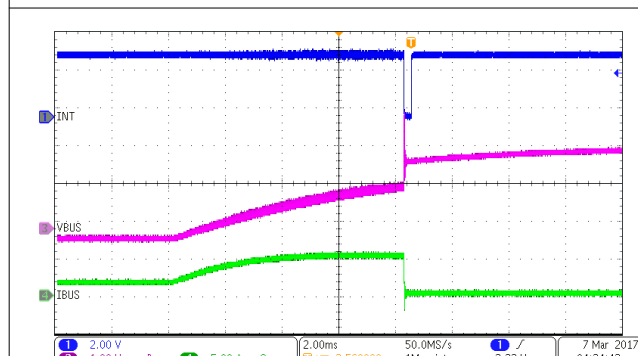


图 10-4. VBUS\_OVP

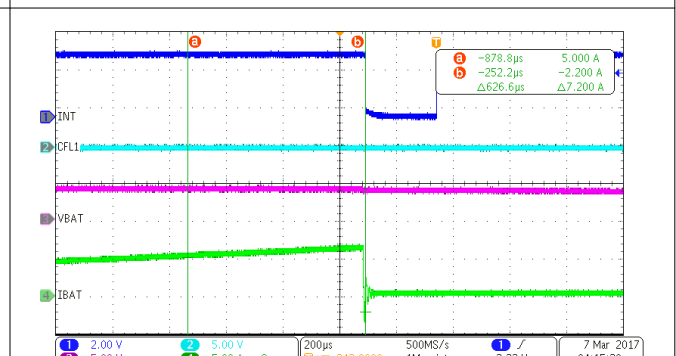


图 10-5. IBAT\_OCP

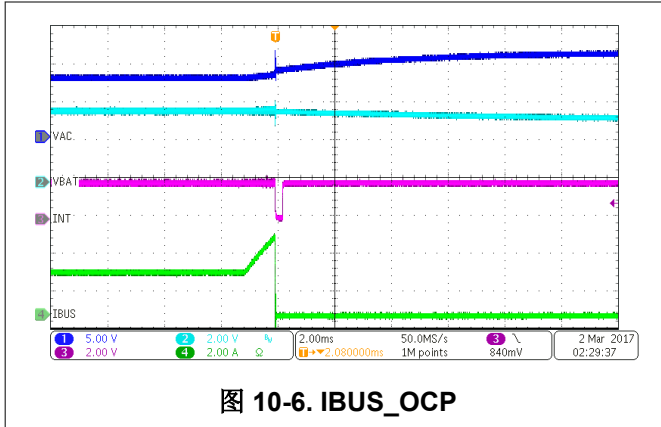


图 10-6. IBUS\_OCP

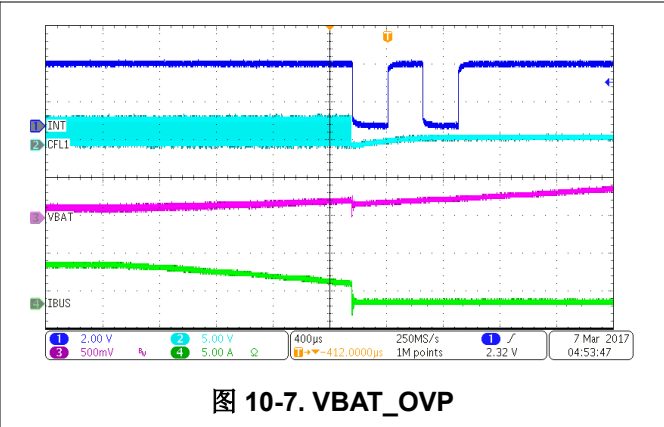


图 10-7. VBAT\_OVP

## 10.2.2 Parallel BQ25968 for Higher Power Applications

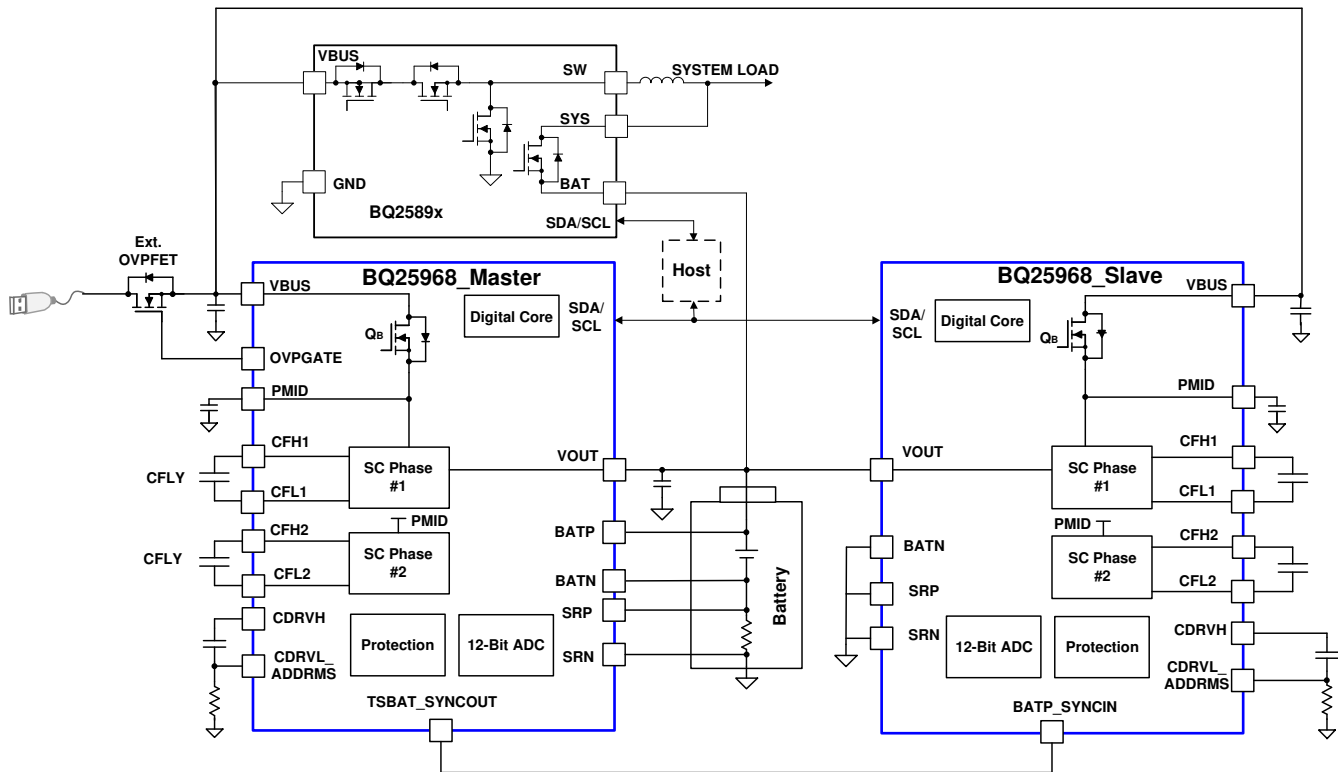


图 10-8. Parallel BQ25968 System

### 10.2.2.1 Design Requirements

For design requirements refer to 节 10.2.1.1.

### 10.2.2.2 Detailed Design Procedure

If the total loss is greater than desired for a single BQ25968 at the fast charge current, two devices can be used in parallel to reduce losses. The same design procedure is applied for the master and slave devices, with a few additional steps for parallel operation.

The master device is used for BAT current sensing, so the slave device should short SRN and SRP to GND.

The master device supplies the SYNCOUT signal to the slave, so connect pin A5 of the master to pin A7 of the slave device.

The master device controls the OVP FET (if used), so the slave device should connect VAC to VBUS.

### 10.2.2.3 Application Curve

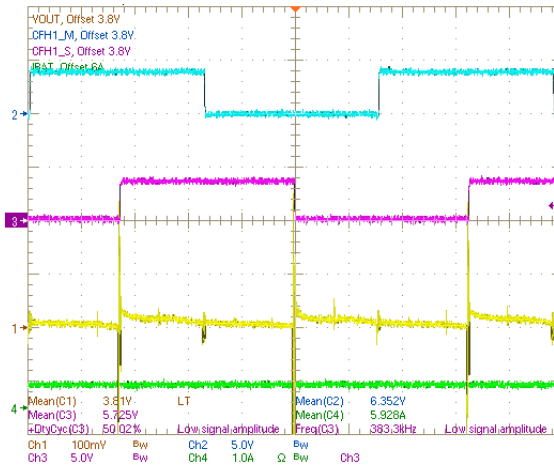


图 10-9. Parallel Switching Waveform

## 11 Power Supply Recommendations

The BQ25968 can be powered by a standard power supply capable of meeting the input voltage and current requirements for evaluation. In the actual application, it must be used with a wall adapter that supports USB Power Delivery (PD) Programmable Power Supply (PPS) specifications.

## 12 Layout

### 12.1 Layout Guidelines

Layout is very important to maximize the electrical and thermal performance of the total system. General guidelines are provided, but the form factor, board stack-up, and proximity of other components also need to be considered to maximize the performance. The parasitics in the board layout impacts the switching current in the MOSFETs and the output current of the device.

- VBUS traces should be as short and wide as possible to accommodate for high current.
- Minimize losses through connectors wherever possible, as the losses in these connectors will contribute a significant amount to the total power loss.
- Use vias under the exposed thermal pad for thermal relief.
- Place low ESR bypass capacitors to ground for VBUS, PMID, and VOUT. The capacitor should be placed as close to the device pins as possible.
- The CFLY pads should be as small as possible, and the CFLY caps placed as close as possible to the device, as these are switching pins and this will help reduce EMI.
- Connect all quiet signals to the AGND pins.
- Connect all power signals to the PGND pins.
- Do not route so the power planes are interrupted by signal traces.

### 12.2 Layout Example

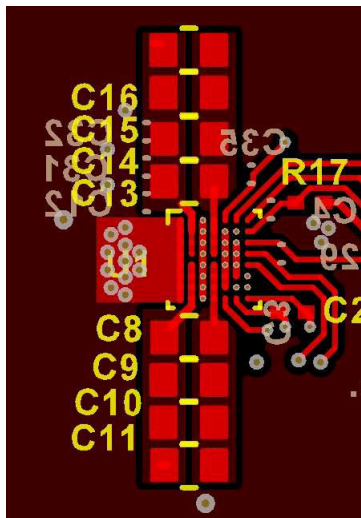


图 12-1. BQ25968 Layout Example - Top Layer

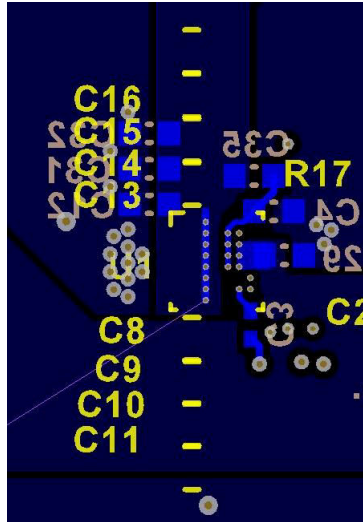


图 12-2. BQ25968 Layout Example - Bottom Layer

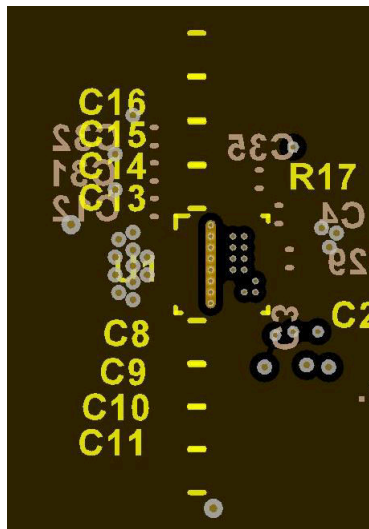


图 12-3. BQ25968 Layout Example - Signal Layer 1

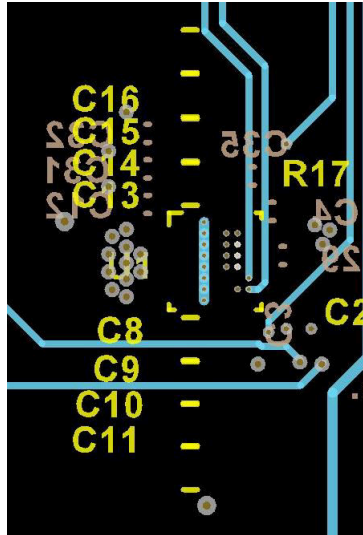


图 12-4. BQ25968 Layout Example - Signal Layer 2

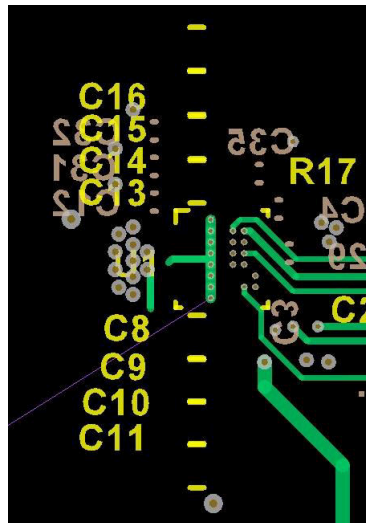


图 12-5. BQ25968 Layout Example - Signal Layer 3



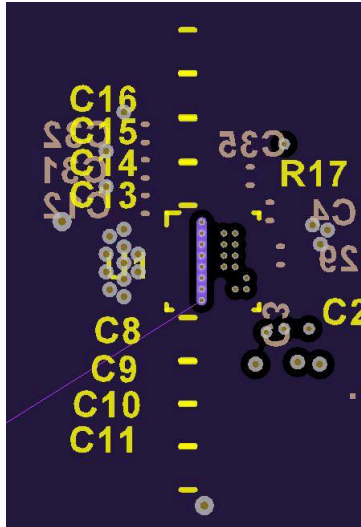


图 12-6. BQ25968 Layout Example - Signal Layer 4

## 13 Device and Documentation Support

### 13.1 Device Support

#### 13.1.1 第三方产品免责声明

TI 发布的与第三方产品或服务有关的信息，不能构成与此类产品或服务或保修的适用性有关的认可，不能构成此类产品或服务单独或与任何 TI 产品或服务一起的表示或认可。

#### 13.1.2 Device Nomenclature

<b>IADAPT (A)</b>	Output current of adapter
<b>VADAPT (V)</b>	Output voltage of adapter
<b>VCONADROP (V)</b>	Voltage drop across the adapter connector
<b>VCONA (V)</b>	Output voltage after adapter connector (same as the voltage at the beginning of the cable)
<b>VCABLEDROP (V)</b>	Voltage drop
<b>VCABLED (V)</b>	Voltage at the cable, going into the device
<b>VCOND (V)</b>	Output voltage after the device connector
<b>VDEVCON (V)</b>	Output voltage after the device control FETs (controlled by the PD controller)
<b>IIN (A)</b>	Input current to the BQ25968
<b>VIN (V)</b>	Input voltage to the BQ25968
<b>VOUT (V)</b>	Output voltage of the BQ25968
<b>VCONBDROP (V)</b>	Voltage drop across the battery connector and sense resistor
<b>VBAT (V)</b>	Voltage at the battery
<b>IBAT (A)</b>	Current at the battery

### 13.2 Documentation Support

#### 13.2.1 Related Documentation

For related documentation see the following:

- [BQ2597xEVM-xxx User's Guide](#)

#### 13.3 接收文档更新通知

要接收文档更新通知，请导航至 [ti.com](http://ti.com) 上的器件产品文件夹。点击 [订阅更新](#) 进行注册，即可每周接收产品信息更改摘要。有关更改的详细信息，请查看任何已修订文档中包含的修订历史记录。

#### 13.4 支持资源

[TI E2E™ 支持论坛](#) 是工程师的重要参考资料，可直接从专家获得快速、经过验证的解答和设计帮助。搜索现有解答或提出自己的问题可获得所需的快速设计帮助。

链接的内容由各个贡献者“按原样”提供。这些内容并不构成 TI 技术规范，并且不一定反映 TI 的观点；请参阅 TI 的 [《使用条款》](#)。

#### 13.5 Trademarks

TI E2E™ is a trademark of Texas Instruments.

所有商标均为其各自所有者的财产。

#### 13.6 静电放电警告



静电放电 (ESD) 会损坏这个集成电路。德州仪器 (TI) 建议通过适当的预防措施处理所有集成电路。如果不遵守正确的处理和安装程序，可能会损坏集成电路。

ESD 的损坏小至导致微小的性能降级，大至整个器件故障。精密的集成电路可能更容易受到损坏，这是因为非常细微的参数更改都可能会导致器件与其发布的规格不相符。

## 13.7 术语表

[TI 术语表](#) 本术语表列出并解释了术语、首字母缩略词和定义。

## 14 Mechanical, Packaging, and Orderable Information

The following pages include mechanical, packaging, and orderable information. This information is the most current data available for the designated devices. This data is subject to change without notice and revision of this document. For browser-based versions of this data sheet, refer to the left-hand navigation.

**PACKAGING INFORMATION**

Orderable Device	Status (1)	Package Type	Package Drawing	Pins	Package Qty	Eco Plan (2)	Lead finish/ Ball material (6)	MSL Peak Temp (3)	Op Temp (°C)	Device Marking (4/5)	Samples
BQ25968YFFR	ACTIVE	DSBGA	YFF	56	3000	RoHS & Green	SNAGCU	Level-1-260C-UNLIM	-40 to 85	BQ25968	Samples

(1) The marketing status values are defined as follows:

**ACTIVE:** Product device recommended for new designs.

**LIFEBUY:** TI has announced that the device will be discontinued, and a lifetime-buy period is in effect.

**NRND:** Not recommended for new designs. Device is in production to support existing customers, but TI does not recommend using this part in a new design.

**PREVIEW:** Device has been announced but is not in production. Samples may or may not be available.

**OBSOLETE:** TI has discontinued the production of the device.

(2) **RoHS:** TI defines "RoHS" to mean semiconductor products that are compliant with the current EU RoHS requirements for all 10 RoHS substances, including the requirement that RoHS substance do not exceed 0.1% by weight in homogeneous materials. Where designed to be soldered at high temperatures, "RoHS" products are suitable for use in specified lead-free processes. TI may reference these types of products as "Pb-Free".

**RoHS Exempt:** TI defines "RoHS Exempt" to mean products that contain lead but are compliant with EU RoHS pursuant to a specific EU RoHS exemption.

**Green:** TI defines "Green" to mean the content of Chlorine (Cl) and Bromine (Br) based flame retardants meet JS709B low halogen requirements of <=1000ppm threshold. Antimony trioxide based flame retardants must also meet the <=1000ppm threshold requirement.

(3) MSL, Peak Temp. - The Moisture Sensitivity Level rating according to the JEDEC industry standard classifications, and peak solder temperature.

(4) There may be additional marking, which relates to the logo, the lot trace code information, or the environmental category on the device.

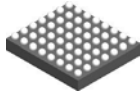
(5) Multiple Device Markings will be inside parentheses. Only one Device Marking contained in parentheses and separated by a "-" will appear on a device. If a line is indented then it is a continuation of the previous line and the two combined represent the entire Device Marking for that device.

(6) Lead finish/Ball material - Orderable Devices may have multiple material finish options. Finish options are separated by a vertical ruled line. Lead finish/Ball material values may wrap to two lines if the finish value exceeds the maximum column width.

**Important Information and Disclaimer:**The information provided on this page represents TI's knowledge and belief as of the date that it is provided. TI bases its knowledge and belief on information provided by third parties, and makes no representation or warranty as to the accuracy of such information. Efforts are underway to better integrate information from third parties. TI has taken and continues to take reasonable steps to provide representative and accurate information but may not have conducted destructive testing or chemical analysis on incoming materials and chemicals. TI and TI suppliers consider certain information to be proprietary, and thus CAS numbers and other limited information may not be available for release.

In no event shall TI's liability arising out of such information exceed the total purchase price of the TI part(s) at issue in this document sold by TI to Customer on an annual basis.

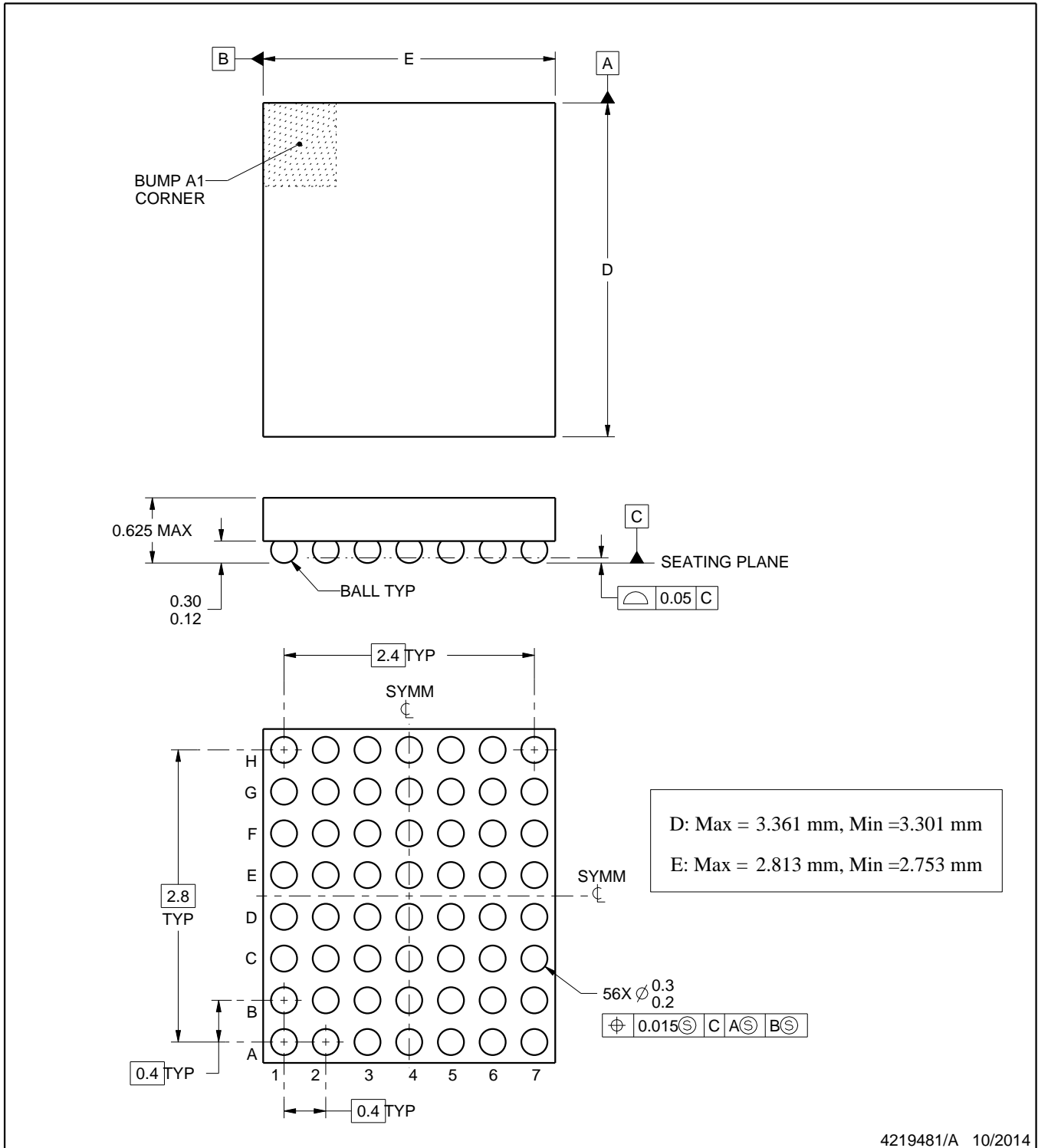
YFF0056



PACKAGE OUTLINE

DSBGA - 0.625 mm max height

DIE SIZE BALL GRID ARRAY



NOTES:

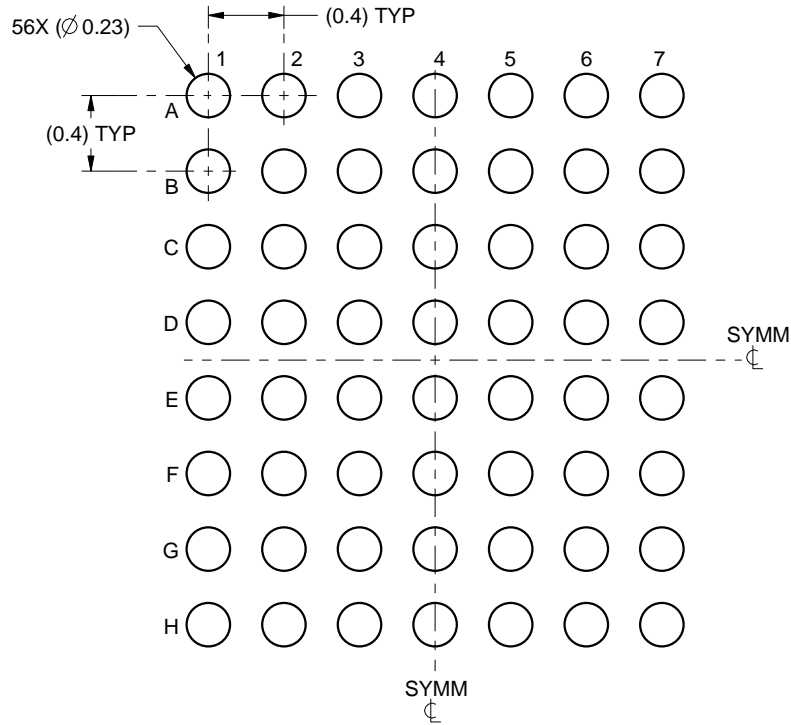
1. All linear dimensions are in millimeters. Any dimensions in parenthesis are for reference only. Dimensioning and tolerancing per ASME Y14.5M.
2. This drawing is subject to change without notice.

# EXAMPLE BOARD LAYOUT

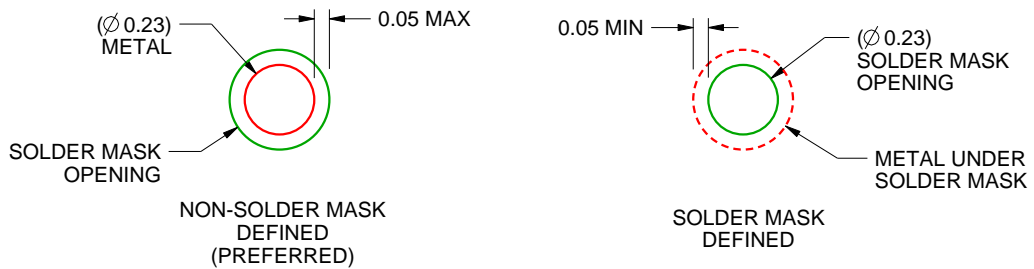
YFF0056

DSBGA - 0.625 mm max height

DIE SIZE BALL GRID ARRAY



LAND PATTERN EXAMPLE  
SCALE:25X



SOLDER MASK DETAILS  
NOT TO SCALE

4219481/A 10/2014

NOTES: (continued)

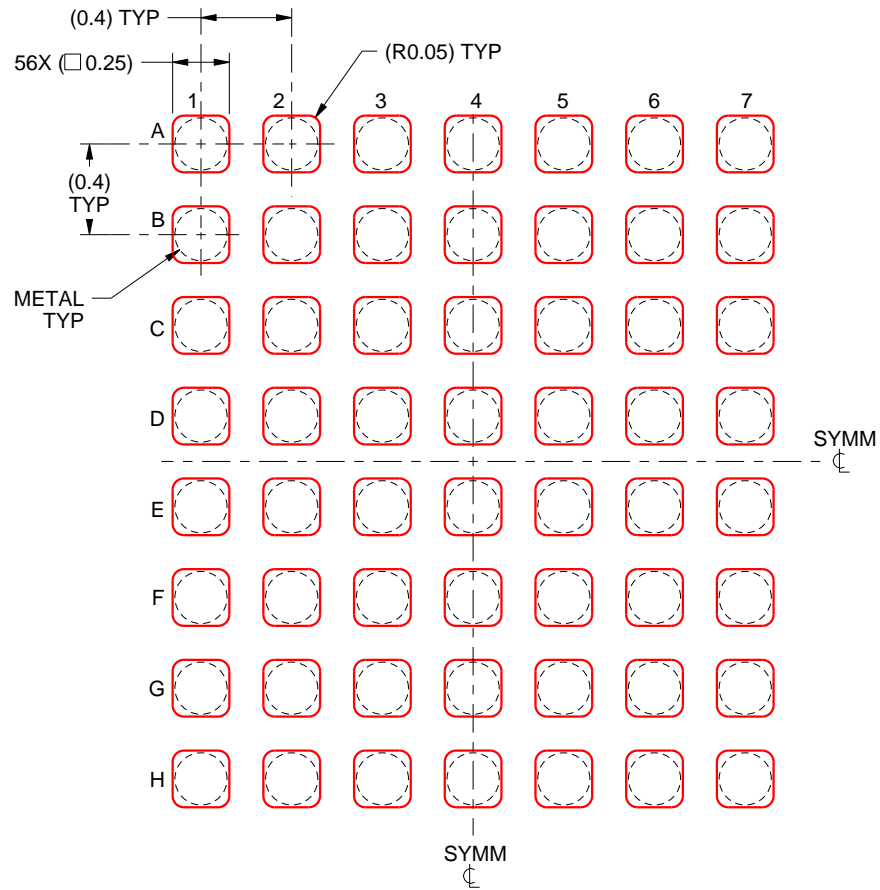
- Final dimensions may vary due to manufacturing tolerance considerations and also routing constraints. For more information, see Texas Instruments literature number SBVA017 ([www.ti.com/lit/sbva017](http://www.ti.com/lit/sbva017)).

# EXAMPLE STENCIL DESIGN

YFF0056

DSBGA - 0.625 mm max height

DIE SIZE BALL GRID ARRAY



SOLDER PASTE EXAMPLE  
BASED ON 0.1 mm THICK STENCIL  
SCALE:30X

4219481/A 10/2014

NOTES: (continued)

4. Laser cutting apertures with trapezoidal walls and rounded corners may offer better paste release.

## 重要声明和免责声明

TI“按原样”提供技术和可靠性数据（包括数据表）、设计资源（包括参考设计）、应用或其他设计建议、网络工具、安全信息和其他资源，不保证没有瑕疵且不做任何明示或暗示的担保，包括但不限于对适销性、某特定用途方面的适用性或不侵犯任何第三方知识产权的暗示担保。

这些资源可供使用 TI 产品进行设计的熟练开发人员使用。您将自行承担以下全部责任：(1) 针对您的应用选择合适的 TI 产品，(2) 设计、验证并测试您的应用，(3) 确保您的应用满足相应标准以及任何其他功能安全、信息安全、监管或其他要求。

这些资源如有变更，恕不另行通知。TI 授权您仅可将这些资源用于研发本资源所述的 TI 产品的应用。严禁对这些资源进行其他复制或展示。您无权使用任何其他 TI 知识产权或任何第三方知识产权。您应全额赔偿因在这些资源的使用中对 TI 及其代表造成的任何索赔、损害、成本、损失和债务，TI 对此概不负责。

TI 提供的产品受 [TI 的销售条款](#) 或 [ti.com](#) 上其他适用条款/TI 产品随附的其他适用条款的约束。TI 提供这些资源并不会扩展或以其他方式更改 TI 针对 TI 产品发布的适用的担保或担保免责声明。

TI 反对并拒绝您可能提出的任何其他或不同的条款。

邮寄地址：Texas Instruments, Post Office Box 655303, Dallas, Texas 75265

Copyright © 2023，德州仪器 (TI) 公司