

DLP3310 0.33 1080p DMD

1 特性

- 0.33 英寸 (8.47mm) 对角线微镜阵列
 - 全高清 1920 × 1080 像素屏幕显示
 - 5.4 μm 微镜间距
 - 17° 微镜倾斜 (相对于平坦表面)
 - 采用侧面照明, 实现最优的效率和光学引擎尺寸
 - 偏振无关型铝微镜表面
- 32 位 subLVDS 输入数据总线
- 专用 DLPC3437 控制器和 DLPA3000/DLPA3005 PMIC/LED 驱动器确保可靠运行

2 应用

- 移动智能电视
- 无屏电视
- 游戏显示器
- 数字标牌
- 可穿戴显示器
- Pico 投影仪
- 交互式显示器
- 超便携显示器
- 智能家居显示器
- 虚拟助手

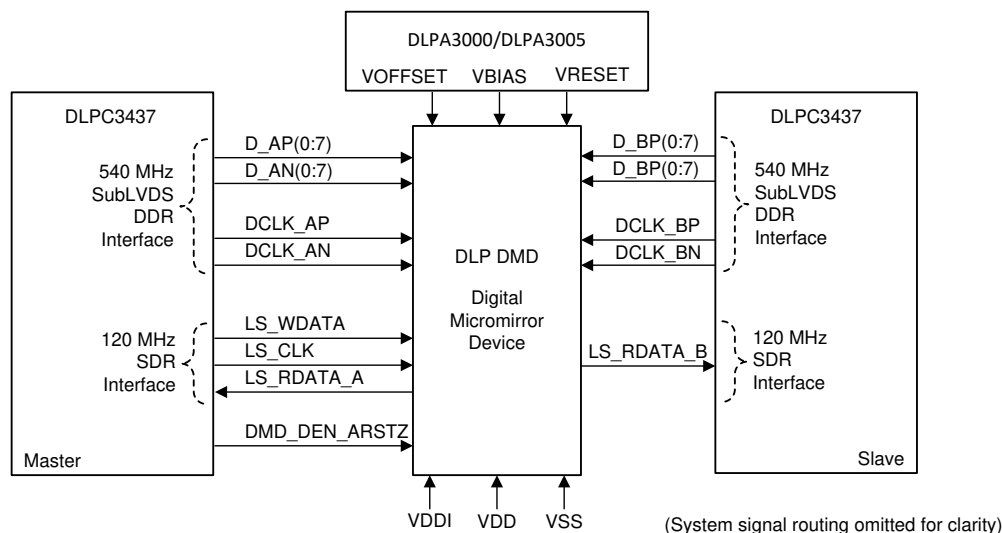
3 说明

DLP3310 数字微镜器件 (DMD) 是一款数控微光机电系统 (MOEMS) 空间光调制器 (SLM)。当与适当的光学系统搭配使用时, DLP3310 DMD 可显示非常清晰的高质量图像或视频。DLP3310 是由 DLP3310 DMD、DLPC3437 控制器和 DLPA3000/DLPA3005 PMIC/LED 驱动器所组成的芯片组的一部分。DLP3310 外形小巧, 与控制器和 PMIC/LED 驱动器共同组成完整的系统解决方案, 从而实现小尺寸、低功耗和全高清的显示产品。

器件信息(1)

器件型号	封装	封装尺寸 (标称值)
DLP3310	FQM (92)	19.25mm × 7.2mm

(1) 如需了解所有可用封装, 请参阅数据表末尾的可订购产品附录。



简化版应用



Table of Contents

1 特性	1	7.6 Micromirror Array Temperature Calculation.....	26
2 应用	1	7.7 Micromirror Power Density Calculation.....	27
3 说明	1	7.8 Micromirror Landed-On/Landed-Off Duty Cycle.....	29
4 Revision History	2	8 Application and Implementation	32
5 Pin Configuration and Functions	3	8.1 Application Information.....	32
6 Specifications	7	8.2 Typical Application.....	32
6.1 Absolute Maximum Ratings.....	7	9 Power Supply Recommendations	35
6.2 Storage Conditions.....	7	9.1 Power Supply Power-Up Procedure.....	35
6.3 ESD Ratings.....	8	9.2 Power Supply Power-Down Procedure.....	35
6.4 Recommended Operating Conditions.....	8	9.3 Power Supply Sequencing Requirements.....	36
6.5 Thermal Information.....	12	10 Layout	38
6.6 Electrical Characteristics.....	12	10.1 Layout Guidelines.....	38
6.7 Timing Requirements.....	13	10.2 Layout Example.....	38
6.8 Switching Characteristics.....	19	11 Device and Documentation Support	39
6.9 System Mounting Interface Loads.....	19	11.1 第三方产品免责声明.....	39
6.10 Micromirror Array Physical Characteristics.....	20	11.2 Device Support.....	39
6.11 Micromirror Array Optical Characteristics.....	21	11.3 Documentation Support.....	39
6.12 Window Characteristics.....	23	11.4 Receiving Notification of Documentation Updates..	39
6.13 Chipset Component Usage Specification.....	23	11.5 支持资源.....	39
6.14 Software Requirements.....	23	11.6 Trademarks.....	39
7 Detailed Description	24	11.7 静电放电警告.....	40
7.1 Overview.....	24	11.8 术语表.....	40
7.2 Functional Block Diagram.....	24	12 Mechanical, Packaging, and Orderable Information	40
7.3 Feature Description.....	25		
7.4 Device Functional Modes.....	25		
7.5 Optical Interface and System Image Quality Considerations.....	25		

4 Revision History

注：以前版本的页码可能与当前版本的页码不同

Changes from Revision C (May 2022) to Revision D (July 2023)	Page
• Added "ILLUMINATION" to <i>Recommended Operating Conditions</i>	8
• Updated <i>Micromirror Array Temperature Calculation</i>	26
• Added <i>Micromirror Power Density Calculation</i>	27

Changes from Revision B (April 2022) to Revision C (May 2022)	Page
• Updated <i>Micromirror Array Optical Characteristics</i>	21

5 Pin Configuration and Functions

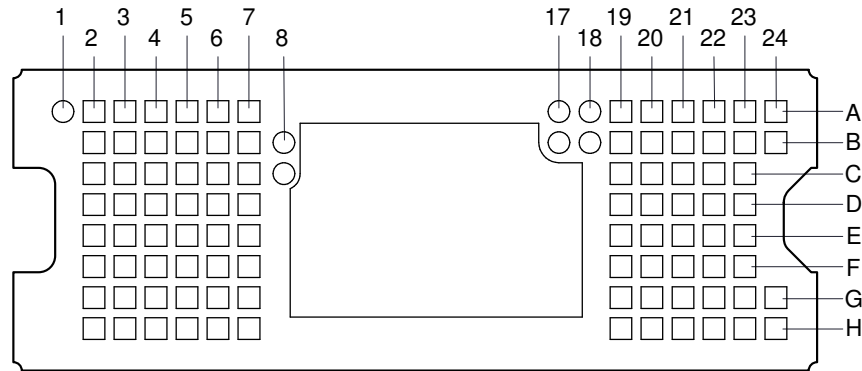


图 5-1. FQM Package 92-Pin CLGA Bottom View

表 5-1. Pin Functions - Connector Pins

PIN ⁽¹⁾		TYPE	SIGNAL	DATA RATE	DESCRIPTION	PACKAGE NET LENGTH ⁽²⁾ (mm)
NAME	NO.					
DATA INPUTS						
D_AN(0)	C6	I	SubLVDS	Double	Data, negative	2.83
D_AN(1)	D7	I	SubLVDS	Double	Data, negative	4.00
D_AN(2)	D5	I	SubLVDS	Double	Data, negative	1.97
D_AN(3)	F7	I	SubLVDS	Double	Data, negative	4.03
D_AN(4)	F5	I	SubLVDS	Double	Data, negative	1.90
D_AN(5)	G6	I	SubLVDS	Double	Data, negative	3.08
D_AN(6)	H5	I	SubLVDS	Double	Data, negative	2.23
D_AN(7)	H7	I	SubLVDS	Double	Data, negative	3.88
D_AP(0)	C5	I	SubLVDS	Double	Data, positive	2.72
D_AP(1)	D6	I	SubLVDS	Double	Data, positive	3.89
D_AP(2)	D4	I	SubLVDS	Double	Data, positive	1.87
D_AP(3)	F6	I	SubLVDS	Double	Data, positive	3.93
D_AP(4)	F4	I	SubLVDS	Double	Data, positive	1.79
D_AP(5)	G5	I	SubLVDS	Double	Data, positive	2.97
D_AP(6)	H4	I	SubLVDS	Double	Data, positive	2.12
D_AP(7)	H6	I	SubLVDS	Double	Data, positive	3.78
D_BN(0)	C20	I	SubLVDS	Double	Data, negative	2.23
D_BN(1)	D19	I	SubLVDS	Double	Data, negative	3.27
D_BN(2)	D21	I	SubLVDS	Double	Data, negative	1.27
D_BN(3)	F19	I	SubLVDS	Double	Data, negative	3.52
D_BN(4)	F21	I	SubLVDS	Double	Data, negative	1.34
D_BN(5)	G20	I	SubLVDS	Double	Data, negative	2.55
D_BN(6)	H21	I	SubLVDS	Double	Data, negative	1.71
D_BN(7)	H19	I	SubLVDS	Double	Data, negative	3.37
D_BP(0)	C21	I	SubLVDS	Double	Data, positive	2.13
D_BP(1)	D20	I	SubLVDS	Double	Data, positive	3.16
D_BP(2)	D22	I	SubLVDS	Double	Data, positive	1.17
D_BP(3)	F20	I	SubLVDS	Double	Data, positive	3.42
D_BP(4)	F22	I	SubLVDS	Double	Data, positive	1.23

表 5-1. Pin Functions - Connector Pins (continued)

PIN ⁽¹⁾		TYPE	SIGNAL	DATA RATE	DESCRIPTION	PACKAGE NET LENGTH ⁽²⁾ (mm)
NAME	NO.					
D_BP(5)	G21	I	SubLVDS	Double	Data, positive	2.44
D_BP(6)	H22	I	SubLVDS	Double	Data, positive	1.61
D_BP(7)	H20	I	SubLVDS	Double	Data, positive	3.27
DCLK_AN	E6	I	SubLVDS	Double	Clock, negative	2.56
DCLK_AP	E5	I	SubLVDS	Double	Clock, positive	2.46
DCLK_BN	E20	I	SubLVDS	Double	Clock, negative	2.05
DCLK_BP	E21	I	SubLVDS	Double	Clock, positive	1.95
CONTROL INPUTS						
LS_WDATA	B3	I	LPSDR ⁽¹⁾	Single	Write data for low speed interface	1.78
LS_CLK	B5	I	LPSDR	Single	Clock for low-speed interface	1.78
DMD_DEN_ARSTZ	B2	I	LPSDR		Asynchronous reset DMD signal. A low signal places the DMD in reset. A high signal releases the DMD from reset and places it in active mode.	0.85
LS_RDATA_A	B7	O	LPSDR	Single	Read data for low-speed interface	4.19
LS_RDATA_B	B4	O	LPSDR	Single	Read data for low-speed interface	2.18
POWER						
V _{BIAS} ⁽³⁾	A6	Power			Supply voltage for positive bias level at micromirrors	
V _{BIAS} ⁽³⁾	A22	Power				
V _{OFFSET} ⁽³⁾	B21	Power			Supply voltage for HVCMOS core logic. Supply voltage for stepped high level at micromirror address electrodes.	
V _{OFFSET} ⁽³⁾	G2	Power			Supply voltage for offset level at micromirrors	
V _{RESET}	A5	Power			Supply voltage for negative reset level at micromirrors	
V _{RESET}	A23	Power				
V _{DD} ⁽³⁾	C2	Power				
V _{DD}	A19	Power				
V _{DD}	A20	Power				
V _{DD}	A21	Power				
V _{DD}	B20	Power				
V _{DD}	D2	Power			Supply voltage for LVCMOS core logic.	
V _{DD}	D3	Power			Supply voltage for LPSDR inputs.	
V _{DD}	D23	Power			Supply voltage for normal high level at micromirror address electrodes	
V _{DD}	E2	Power				
V _{DD}	F2	Power				
V _{DD}	F3	Power				
V _{DD}	F23	Power				

表 5-1. Pin Functions - Connector Pins (continued)

PIN ⁽¹⁾		TYPE	SIGNAL	DATA RATE	DESCRIPTION	PACKAGE NET LENGTH ⁽²⁾ (mm)
NAME	NO.					
V _{DDI}	B6	Power			Supply voltage for SubLVDS receivers	
V _{DDI}	B19	Power				
V _{DDI}	C3	Power				
V _{DDI}	C23	Power				
V _{DDI}	E3	Power				
V _{DDI}	E23	Power				
V _{DDI}	G3	Power				
V _{DDI}	G23	Power				
V _{SS}	A2	Ground			Common return Ground for all power	
V _{SS}	A3	Ground				
V _{SS}	A4	Ground				
V _{SS}	A7	Ground				
V _{SS}	A24	Ground				
V _{SS}	B22	Ground				
V _{SS}	B23	Ground				
V _{SS}	B24	Ground				
V _{SS}	C4	Ground				
V _{SS}	C7	Ground				
V _{SS}	C19	Ground				
V _{SS}	C22	Ground				
V _{SS}	E4	Ground				
V _{SS}	E7	Ground				
V _{SS}	E19	Ground				
V _{SS}	E22	Ground				
V _{SS}	G4	Ground				
V _{SS}	G7	Ground				
V _{SS}	G19	Ground				
V _{SS}	G22	Ground				
V _{SS}	G24	Ground				
V _{SS}	H2	Ground				
V _{SS}	H3	Ground				
V _{SS}	H23	Ground				
V _{SS}	H24	Ground				

- (1) Low speed interface is LPSSDR and adheres to the Electrical Characteristics and AC/DC Operating Conditions table in JEDEC Standard No. 209B, *Low Power Double Data Rate (LPDDR)*. See [JESD209B](#).
- (2) Net trace lengths inside the package:
Relative dielectric constant for the FQM ceramic package is 9.8.
Propagation speed = $11.8 / \sqrt{9.8} = 3.769$ in/ns.
Propagation delay = 0.265 ns/inch = 265 ps/in = 10.43 ps/mm.
- (3) The following power supplies are all required to operate the DMD: V_{DD}, V_{DDI}, V_{OFFSET}, V_{BIAS}, V_{RESET}. All V_{SS} connections are also required.

表 5-2. Pin Functions - Test Pads

NUMBER	SYSTEM BOARD
A1	Do not connect.
A17	Do not connect.

表 5-2. Pin Functions - Test Pads (continued)

NUMBER	SYSTEM BOARD
A18	Do not connect.
B8	Do not connect.
B17	Do not connect.
B18	Do not connect.
C8	Do not connect.

6 Specifications

6.1 Absolute Maximum Ratings

see (1)

		MIN	MAX	UNIT		
Supply voltage	V _{DD}	Supply voltage for LVCMOS core logic ⁽²⁾ Supply voltage for LPSDR low speed interface		V		
	V _{DDI}	Supply voltage for SubLVDS receivers ⁽²⁾		V		
	V _{OFFSET}	Supply voltage for HVCMOS and micromirror electrode ^{(2) (3)}		V		
	V _{BIAS}	Supply voltage for micromirror electrode ⁽²⁾		V		
	V _{RESET}	Supply voltage for micromirror electrode ⁽²⁾		V		
	V _{DDI} - V _{DD}	Supply voltage delta (absolute value) ⁽⁴⁾		V		
	V _{BIAS} - V _{OFFSET}	Supply voltage delta (absolute value) ⁽⁵⁾		V		
	V _{BIAS} - V _{RESET}	Supply voltage delta (absolute value) ⁽⁶⁾		V		
Input voltage	Input voltage for other inputs LPSDR ⁽²⁾		- 0.5	V _{DD} + 0.5	V	
	Input voltage for other inputs SubLVDS ^{(2) (7)}		- 0.5	V _{DDI} + 0.5	V	
Input pins	V _{ID}	SubLVDS input differential voltage (absolute value) ⁽⁷⁾		810	mV	
	I _{ID}	SubLVDS input differential current		10	mA	
Clock frequency	f _{clock}	Clock frequency for low speed interface LS_CLK		130	MHz	
	f _{clock}	Clock frequency for high speed interface DCLK		620	MHz	
Environmental	T _{ARRAY} and T _{WINDOW}	Temperature—operational ⁽⁸⁾		- 20	90	°C
		Temperature—non-operational ⁽⁸⁾		- 40	90	°C
	T _{DELTA}	Absolute temperature delta between any point on the window edge and the ceramic test point TP1 ⁽⁹⁾		30	°C	
	T _{DP}	Dew point—operating and non-operating		81	°C	

- (1) Operation outside the Absolute Maximum Ratings may cause permanent device damage. Absolute Maximum Ratings do not imply functional operation of the device at these or any other conditions beyond those listed under Recommended Operating Conditions. If outside the Recommended Operating Conditions but within the Absolute Maximum Ratings, the device may not be fully functional, and this may affect device reliability, functionality, performance, and shorten the device lifetime.
- (2) All voltage values are with respect to the ground terminals (V_{SS}). The following power supplies are all required to operate the DMD: V_{DD}, V_{DDI}, V_{OFFSET}, V_{BIAS}, and V_{RESET}. All V_{SS} connections are also required.
- (3) V_{OFFSET} supply transients must fall within specified voltages.
- (4) Exceeding the recommended allowable absolute voltage difference between V_{DDI} and V_{DD} may result in excessive current draw.
- (5) Exceeding the recommended allowable absolute voltage difference between V_{BIAS} and V_{OFFSET} may result in excessive current draw.
- (6) Exceeding the recommended allowable absolute voltage difference between V_{BIAS} and V_{RESET} may result in excessive current draw.
- (7) This maximum input voltage rating applies when each input of a differential pair is at the same voltage potential. Sub-LVDS differential inputs must not exceed the specified limit or damage may result to the internal termination resistors.
- (8) The highest temperature of the active array (as calculated by the [Micromirror Array Temperature Calculation](#)) or of any point along the window edge as defined in [Figure 7-1](#). The locations of thermal test points TP2, TP3, TP4, and TP5 in [Figure 7-1](#) are intended to measure the highest window edge temperature. If a particular application causes another point on the window edge to be at a higher temperature, that point should be used.
- (9) Temperature delta is the highest difference between the ceramic test point 1 (TP1) and anywhere on the window edge as shown in [Figure 7-1](#). The window test points TP2, TP3, TP4, and TP5 shown in [Figure 7-1](#) are intended to result in the worst case delta. If a particular application causes another point on the window edge to result in a larger delta temperature, that point should be used.

6.2 Storage Conditions

applicable for the DMD as a component or non-operating in a system.

		MIN	MAX	UNIT
T _{DMD}	DMD storage temperature	- 40	85	°C
T _{DP-AVG}	Average dew point temperature (non-condensing) ⁽¹⁾		24	°C
T _{DP-ELR}	Elevated dew point temperature range (non-condensing) ⁽²⁾	28	36	°C

applicable for the DMD as a component or non-operating in a system.

		MIN	MAX	UNIT
CT _{ELR}	Cumulative time in elevated dew point temperature range		6	Months

- (1) The average over time (including storage and operating) that the device is not in the elevated dew point temperature range.
- (2) Exposure to dew point temperatures in the elevated range during storage and operation should be limited to less than a total cumulative time of CT_{ELR}.

6.3 ESD Ratings

			VALUE	UNIT
V _(ESD)	Electrostatic discharge	Human body model (HBM), per ANSI/ESDA/JEDEC JS-001 ⁽¹⁾	±2000	V

- (1) JEDEC document JEP155 states that 500 V HBM allows safe manufacturing with a standard ESD control process.

6.4 Recommended Operating Conditions

Over operating free-air temperature range (unless otherwise noted)^{(1) (2)}

		MIN	NOM	MAX	UNIT
SUPPLY VOLTAGE RANGE⁽³⁾					
V _{DD}	Supply voltage for LVCMOS core logic Supply voltage for LPSDR low-speed interface	1.65	1.8	1.95	V
V _{DDI}	Supply voltage for SubLVDS receivers	1.65	1.8	1.95	V
V _{OFFSET}	Supply voltage for HVCMOS and micromirror electrode ⁽⁴⁾	9.5	10	10.5	V
V _{BIAS}	Supply voltage for mirror electrode	17.5	18	18.5	V
V _{RESET}	Supply voltage for micromirror electrode	- 14.5	- 14	- 13.5	V
V _{DDI} - V _{DD}	Supply voltage delta (absolute value) ⁽⁵⁾			0.3	V
V _{BIAS} - V _{OFFSET}	Supply voltage delta (absolute value) ⁽⁶⁾			10.5	V
V _{BIAS} - V _{RESET}	Supply voltage delta (absolute value) ⁽⁷⁾			33	V
CLOCK FREQUENCY					
f _{clock}	Clock frequency for low speed interface LS_CLK ⁽⁸⁾	108		120	MHz
f _{clock}	Clock frequency for high speed interface DCLK ⁽⁹⁾	300		540	MHz
	Duty cycle distortion DCLK	44%		56%	
SUBLVDS INTERFACE⁽⁹⁾					
V _{ID}	SubLVDS input differential voltage (absolute value). See 图 6-8 , 图 6-9 .	150	250	350	mV
V _{CM}	Common mode voltage. See 图 6-8 , 图 6-9 .	700	900	1100	mV
V _{SUBLVDS}	SubLVDS voltage. See 图 6-8 , 图 6-9 .	575		1225	mV
Z _{LINE}	Line differential impedance (PWB/trace)	90	100	110	Ω
Z _{IN}	Internal differential termination resistance. See 图 6-10 .	80	100	120	Ω
	100-Ω differential PCB trace	6.35		152.4	mm
ENVIRONMENTAL					
T _{ARRAY}	Array temperature - long-term operational ^{(10) (11) (12) (13)}	0		40 to 70 ⁽¹²⁾	°C
	Array temperature - short-term operational, 25 hr max ^{(11) (14)}	- 20		- 10	°C
	Array temperature - short-term operational, 500 hr max ^{(11) (14)}	- 10		0	°C
	Array temperature - short-term operational, 500 hr max ^{(11) (14)}	70		75	°C
T _{WINDOW}	Window temperature - operational ^{(15) (16)}			90	°C
T _{DELTA}	Absolute temperature delta between any point on the window edge and the ceramic test point TP1 ⁽¹⁷⁾			15	°C
T _{DP-AVG}	Average dew point temperature, non-condensing ⁽¹⁸⁾			24	°C
T _{DP-ELR}	Elevated dew point temperature range, non-condensing ⁽¹⁹⁾	28		36	°C

6.4 Recommended Operating Conditions (continued)

Over operating free-air temperature range (unless otherwise noted)^{(1) (2)}

		MIN	NOM	MAX	UNIT
CT _{ELR}	Cumulative time in elevated dew point temperature range			6	Months

6.4 Recommended Operating Conditions (continued)

Over operating free-air temperature range (unless otherwise noted)^{(1) (2)}

		MIN	NOM	MAX	UNIT
ILLUMINATION					
ILL _{UV}	Illumination power at wavelengths < 410 nm ⁽¹⁰⁾			10	mW/cm ²
ILL _{VIS}	Illumination power at wavelengths ≥ 410 nm and ≤ 800 nm ⁽²⁰⁾			26.1	W/cm ²
ILL _{IR}	Illumination power at wavelengths > 800 nm			10	mW/cm ²
ILL _{BLU}	Illumination power at wavelengths ≥ 410 nm and ≤ 475 nm ⁽²⁰⁾			8.3	W/cm ²
ILL _{BLU1}	Illumination power at wavelengths ≥ 410 nm and ≤ 445 nm ⁽²⁰⁾			1.5	W/cm ²
ILL _θ	Illumination marginal ray angle ⁽¹⁶⁾			55	deg

- (1) The following power supplies are all required to operate the DMD: V_{DD}, V_{DDI}, V_{OFFSET}, V_{BIAS}, and V_{RESET}. All V_{SS} connections are also required.
- (2) The functional performance of the device specified in this data sheet is achieved when operating the device within the limits defined by the *Recommended Operating Conditions*. No level of performance is implied when operating the device above or below the *Recommended Operating Conditions* limits.
- (3) All voltage values are with respect to the ground pins (V_{SS}).
- (4) V_{OFFSET} supply transients must fall within specified max voltages.
- (5) To prevent excess current, the supply voltage delta |V_{DDI} - V_{DD}| must be less than the specified limit.
- (6) To prevent excess current, the supply voltage delta |V_{BIAS} - V_{OFFSET}| must be less than the specified limit.
- (7) To prevent excess current, the supply voltage delta |V_{BIAS} - V_{RESET}| must be less than the specified limit.
- (8) LS_CLK must run as specified to ensure internal DMD timing for reset waveform commands.
- (9) Refer to the SubLVDS timing requirements in [Timing Requirements](#).
- (10) Simultaneous exposure of the DMD to the maximum *Recommended Operating Conditions* for temperature and UV illumination will reduce device lifetime.
- (11) The array temperature cannot be measured directly and must be computed analytically from the temperature measured at test point 1 (TP1) shown in [Figure 7-1](#) and the package thermal resistance using the [Micromirror Array Temperature Calculation](#).
- (12) Per [Figure 6-1](#), the maximum operational array temperature should be derated based on the micromirror landed duty cycle that the DMD experiences in the end application. Refer to [Section 7.8](#) for a definition of micromirror landed duty cycle.
- (13) Long-term is defined as the useful life of the device.
- (14) Short-term is the total cumulative time over the useful life of the device.
- (15) The locations of thermal test points TP2, TP3, TP4, and TP5 shown in [Figure 7-1](#) are intended to measure the highest window edge temperature. For most applications, the locations shown are representative of the highest window edge temperature. If a particular application causes additional points on the window edge to be at a higher temperature, test points should be added to those locations.
- (16) The maximum marginal ray angle of the incoming illumination light at any point in the micromirror array, including Pond of Micromirrors (POM), should not exceed 55 degrees from the normal to the device array plane. The device window aperture has not necessarily been designed to allow incoming light at higher maximum angles to pass to the micromirrors, and the device performance has not been tested nor qualified at angles exceeding this. Illumination light exceeding this angle outside the micromirror array (including POM) will contribute to thermal limitations described in this document, and may negatively affect lifetime.
- (17) Temperature delta is the highest difference between the ceramic test point 1 (TP1) and anywhere on the window edge shown in [Figure 7-1](#). The window test points TP2, TP3, TP4, and TP5 shown in [Figure 7-1](#) are intended to result in the worst case delta temperature. If a particular application causes another point on the window edge to result in a larger delta temperature, that point should be used.
- (18) The average over time (including storage and operating) that the device is not in the elevated dew point temperature range.
- (19) Exposure to dew point temperatures in the elevated range during storage and operation should be limited to less than a total cumulative time of CT_{ELR}.
- (20) The maximum allowable optical power incident on the DMD is limited by the maximum optical power density for each wavelength range specified and the micromirror array temperature (T_{ARRAY}).

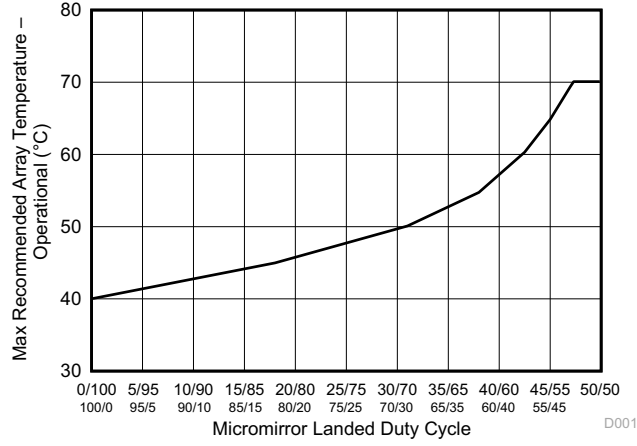


图 6-1. Maximum Recommended Array Temperature—Derating Curve

6.5 Thermal Information

THERMAL METRIC ⁽¹⁾		DLP3310	
		FQM (LGA)	
		92 PINS	
Thermal resistance	Active area to test point 1 (TP1)	6.0	°C/W

- (1) The DMD is designed to conduct absorbed and dissipated heat to the back of the package. The cooling system must be capable of maintaining the package within the temperature range specified in *Recommended Operating Conditions*. The total heat load on the DMD is largely driven by the incident light absorbed by the active area; although other contributions include light energy absorbed by the window aperture and electrical power dissipation of the array. Optical systems should be designed to minimize the light energy falling outside the window clear aperture since any additional thermal load in this area can significantly degrade the reliability of the device.

6.6 Electrical Characteristics

Over operating free-air temperature range (unless otherwise noted)⁽¹⁾

PARAMETER		TEST CONDITIONS ⁽²⁾	MIN	TYP	MAX	UNIT
CURRENT						
I _{DD}	Supply current: V _{DD} ^{(3) (4)}	V _{DD} = 1.95 V			135	mA
		V _{DD} = 1.8 V		123.6		
I _{DDI}	Supply current: V _{DDI} ^{(3) (4)}	V _{DDI} = 1.95 V			35.34	mA
		V _{DD} = 1.8 V		32		
I _{OFFSET}	Supply current: V _{OFFSET} ^{(5) (6)}	V _{OFFSET} = 10.5 V			2.55	mA
		V _{OFFSET} = 10 V		2.5		
I _{BIAS}	Supply current: V _{BIAS} ^{(5) (6)}	V _{BIAS} = 18.5 V			1.25	mA
		V _{BIAS} = 18 V		1.2		
I _{RESET}	Supply current: V _{RESET} ⁽⁶⁾	V _{RESET} = - 14.5 V			- 2.55	mA
		V _{RESET} = - 14 V		- 2.5		
POWER⁽⁷⁾						
P _{DD}	Supply power dissipation: V _{DD} ^{(3) (4)}	V _{DD} = 1.95 V			263.25	mW
		V _{DD} = 1.8 V		222.48		
P _{DDI}	Supply power dissipation: V _{DDI} ^{(3) (4)}	V _{DDI} = 1.95 V			68.91	mW
		V _{DD} = 1.8 V		57.6		
P _{OFFSET}	Supply power dissipation: V _{OFFSET} ^{(5) (6)}	V _{OFFSET} = 10.5 V			26.78	mW
		V _{OFFSET} = 10 V		25		
P _{BIAS}	Supply power dissipation: V _{BIAS} ^{(5) (6)}	V _{BIAS} = 18.5 V			23.13	mW
		V _{BIAS} = 18 V		21.6		
P _{RESET}	Supply power dissipation: V _{RESET} ⁽⁶⁾	V _{RESET} = - 14.5 V			36.98	mW
		V _{RESET} = - 14 V		35		
P _{TOTAL}	Supply power dissipation: Total			361.68	419.05	mW
LPSDR INPUT⁽⁸⁾						
V _{IH(DC)}	DC input high voltage ⁽⁹⁾		0.7 × V _{DD}		V _{DD} + 0.3	V
V _{IL(DC)}	DC input low voltage ⁽⁹⁾		- 0.3		0.3 × V _{DD}	V
V _{IH(AC)}	AC input high voltage ⁽⁹⁾		0.8 × V _{DD}		V _{DD} + 0.3	V
V _{IL(AC)}	AC input low voltage ⁽⁹⁾		- 0.3		0.2 × V _{DD}	V
ΔV _T	Hysteresis (V _{T+} - V _{T-})	图 6-10	0.1 × V _{DD}		0.4 × V _{DD}	V
I _{IL}	Low - level input current	V _{DD} = 1.95 V; V _I = 0 V	- 100			nA
I _{IH}	High - level input current	V _{DD} = 1.95 V; V _I = 1.95 V			100	nA
LPSDR OUTPUT⁽¹⁰⁾						

6.6 Electrical Characteristics (continued)

Over operating free-air temperature range (unless otherwise noted)⁽¹⁾

PARAMETER		TEST CONDITIONS ⁽²⁾	MIN	TYP	MAX	UNIT
V _{OH}	DC output high voltage	I _{OH} = - 2 mA	0.8 × V _{DD}			V
V _{OL}	DC output low voltage	I _{OL} = 2 mA			0.2 × V _{DD}	V
CAPACITANCE						
C _{IN}	Input capacitance LPSDR	f = 1 MHz			10	pF
	Input capacitance SubLVDS	f = 1 MHz			20	pF
C _{OUT}	Output capacitance	f = 1 MHz			10	pF
C _{RESET}	Reset group capacitance	f = 1 MHz; (768 × 344) micromirrors	400		500	pF

- (1) Device electrical characteristics are in [Recommended Operating Conditions](#), unless otherwise noted.
- (2) All voltage values are with respect to the ground pins (V_{SS}).
- (3) To prevent excess current, the supply voltage delta |V_{DDI} - V_{DD}| must be less than the specified limit.
- (4) Supply power dissipation based on non - compressed commands and data.
- (5) To prevent excess current, the supply voltage delta |V_{BIAS} - V_{OFFSET}| must be less than the specified limit.
- (6) Supply power dissipation based on 3 global resets in 200 μs.
- (7) The following power supplies are all required to operate the DMD: V_{DD}, V_{DDI}, V_{OFFSET}, V_{BIAS}, V_{RESET}. All V_{SS} connections are also required.
- (8) LPSDR specifications are for pins LS_CLK and LS_WDATA.
- (9) Low-speed interface is LPSDR and adheres to the Electrical Characteristics and AC/DC Operating Conditions table in JEDEC Standard No. 209B, *Low-Power Double Data Rate (LPDDR) JESD209B*.
- (10) LPSDR specification is for pin LS_RDATA.

6.7 Timing Requirements

Device electrical characteristics are over *Recommended Operating Conditions* unless otherwise noted.

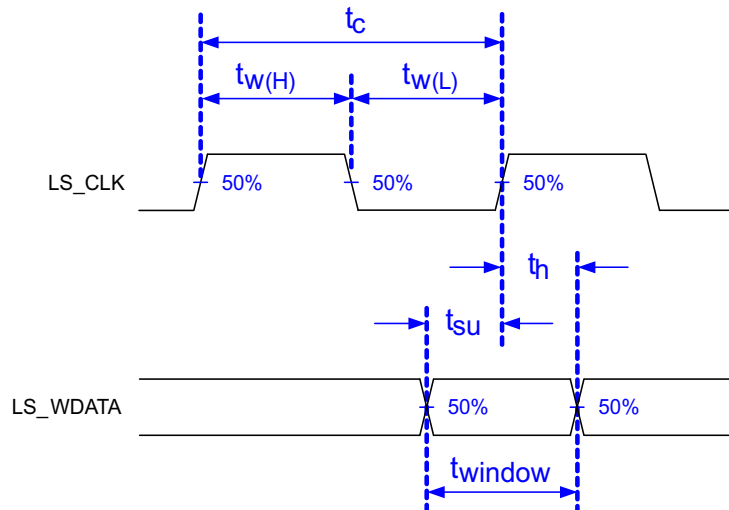
			MIN	NOM	MAX	UNIT
LPSDR						
t _r	Rise slew rate ⁽¹⁾	(30% to 80%) × V _{DD} . See 图 6-3 .	1		3	V/ns
t _f	Fall slew rate ⁽¹⁾	(70% to 20%) × V _{DD} . See 图 6-3 .	1		3	V/ns
t _r	Rise slew rate ⁽²⁾	(20% to 80%) × V _{DD} . See 图 6-3 .	0.25			V/ns
t _f	Fall slew rate ⁽²⁾	(80% to 20%) × V _{DD} . See 图 6-3 .	0.25			V/ns
t _c	Cycle time LS_CLK,	See 图 6-2 .	7.7	8.3		ns
t _{W(H)}	Pulse duration LS_CLK high	50% to 50% reference points. See 图 6-2 .	3.1			ns
t _{W(L)}	Pulse duration LS_CLK low	50% to 50% reference points. See 图 6-2 .	3.1			ns
t _{su}	Setup time	LS_WDATA valid before LS_CLK ↑. See 图 6-2 .	1.5			ns
t _h	Hold time	LS_WDATA valid after LS_CLK ↑. See 图 6-2 .	1.5			ns
t _{WINDOW}	Window time ^{(1) (3)}	Setup time + Hold time, 图 6-2	3			ns
t _{DERATING}	Window time derating ^{(1) (3)}	For each 0.25 V/ns reduction in slew rate below 1 V/ns. See 图 6-5 .		0.35		ns

6.7 Timing Requirements (continued)

Device electrical characteristics are over *Recommended Operating Conditions* unless otherwise noted.

			MIN	NOM	MAX	UNIT
SubLVDS						
t_r	Rise slew rate	20% to 80% reference points. See 图 6-4.	0.7	1		V/ns
t_f	Fall slew rate	80% to 20% reference points. See 图 6-4.	0.7	1		V/ns
t_c	Cycle time DCLK	See 图 6-6.	1.79	1.85		ns
$t_{W(H)}$	Pulse duration DCLK high	50% to 50% reference points. See 图 6-6.	0.79			ns
$t_{W(L)}$	Pulse duration DCLK low	50% to 50% reference points. See 图 6-6.	0.79			ns
t_{su}	Setup time	D(0:7) valid before DCLK ↑ or DCLK ↓. See 图 6-6.				
t_h	Hold time	D(0:7) valid after DCLK ↑ or DCLK ↓. See 图 6-6.				
t_{WINDOW}	Window time	Setup time + Hold time. See 图 6-6, 图 6-7.			3.0	ns
$t_{LVDS-ENABLE+REFGEN}$	Power-up receiver ⁽⁴⁾				2000	ns

- (1) Specification is for LS_CLK and LS_WDATA pins. Refer to LPSDR input rise slew rate and fall slew rate in 图 6-3.
- (2) Specification is for DMD_DEN_ARSTZ pin. Refer to LPSDR input rise and fall slew rate in 图 6-3.
- (3) Window time derating example: 0.5-V/ns slew rate increases the window time by 0.7 ns, from 3 to 3.7 ns.
- (4) Specification is for SubLVDS receiver time only and does not take into account commanding and latency after commanding.



Low-speed interface is LPSDR and adheres to the [Electrical Characteristics](#) and AC/DC Operating Conditions table in JEDEC Standard No. 209B, *Low Power Double Data Rate (LPDDR)* JESD209B.

图 6-2. LPSDR Switching Parameters

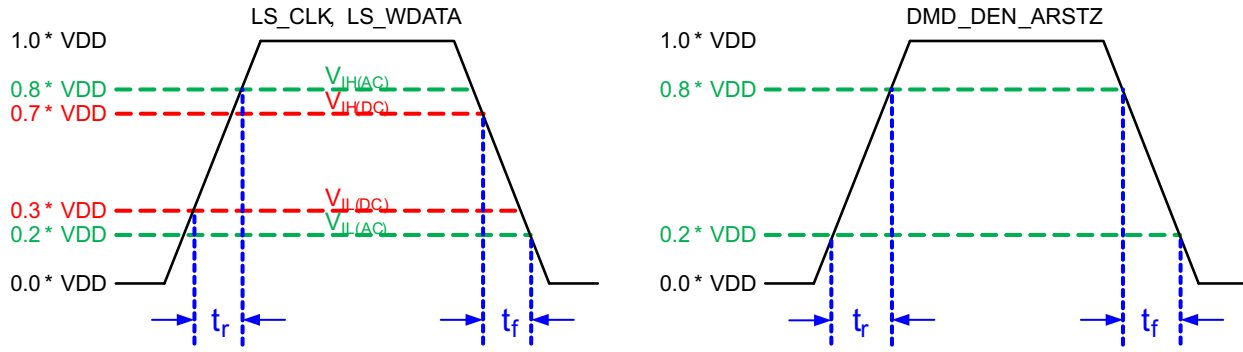


图 6-3. LPSDR Input Rise and Fall Slew Rate

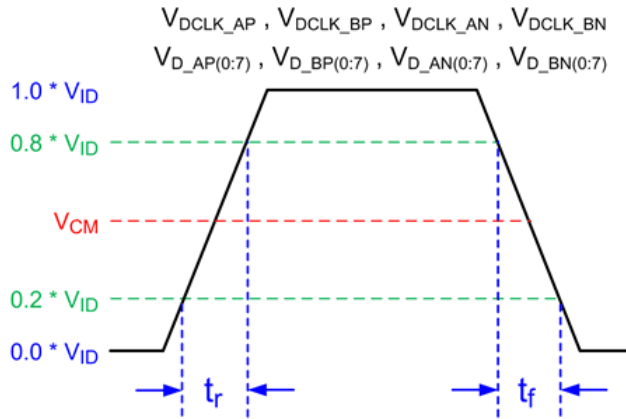


图 6-4. SubLVDS Input Rise and Fall Slew Rate

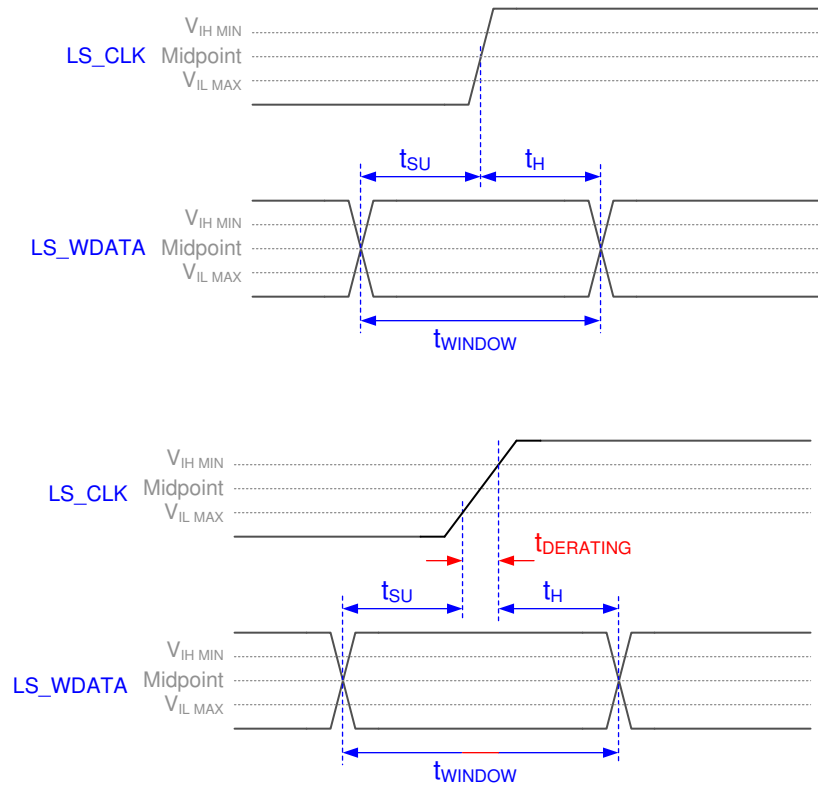


图 6-5. Window Time Derating Concept

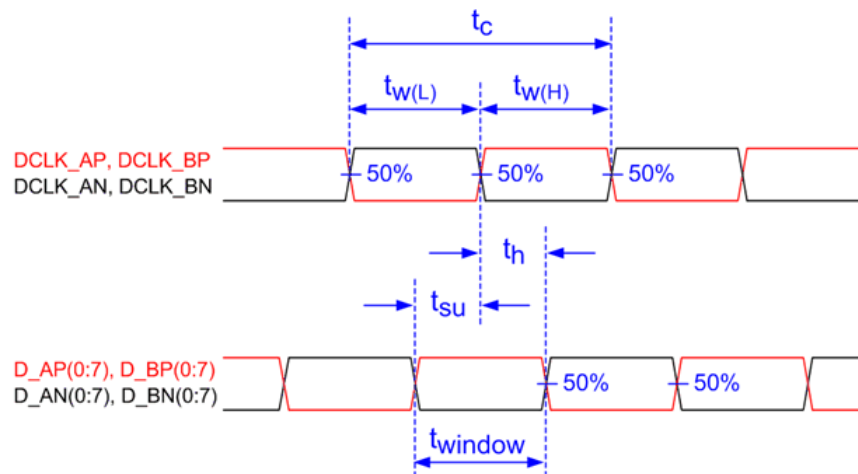
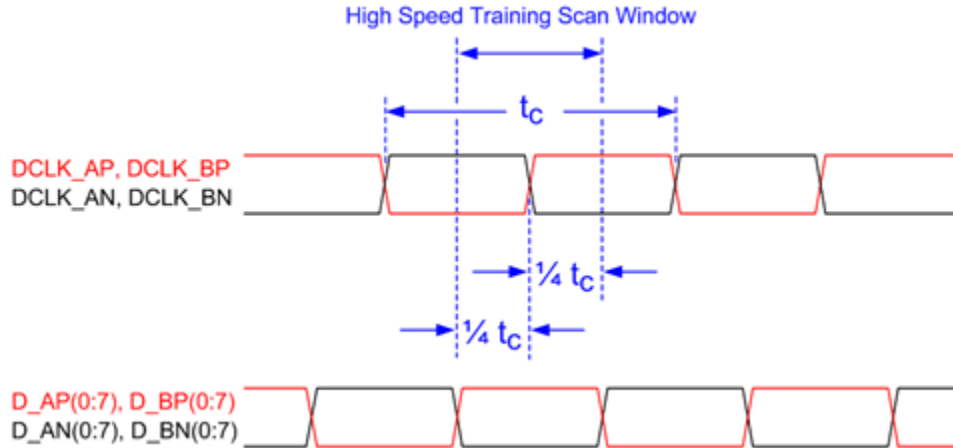


图 6-6. SubLVDS Switching Parameters



Note: Refer to [High Speed Interface](#) for details.

图 6-7. High-Speed Training Scan Window

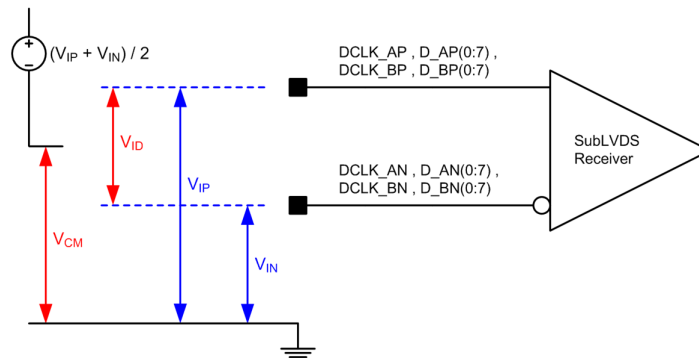


图 6-8. SubLVDS Voltage Parameters

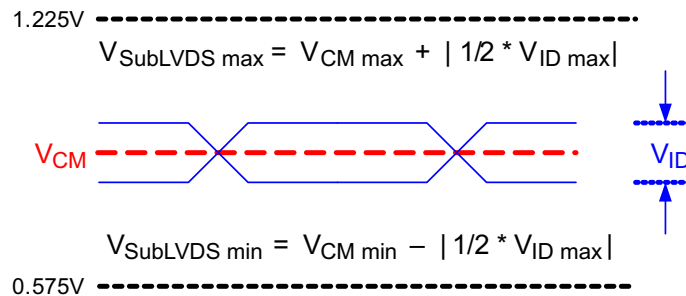


图 6-9. SubLVDS Waveform Parameters

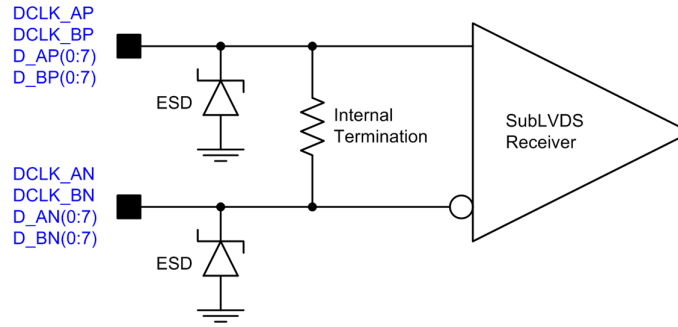


图 6-10. SubLVDS Equivalent Input Circuit

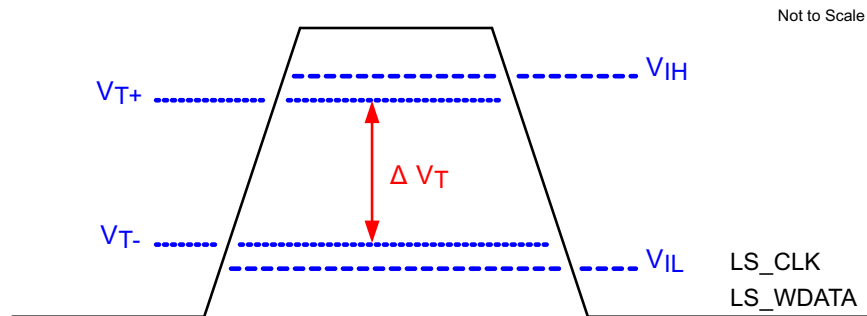


图 6-11. LPSDR Input Hysteresis

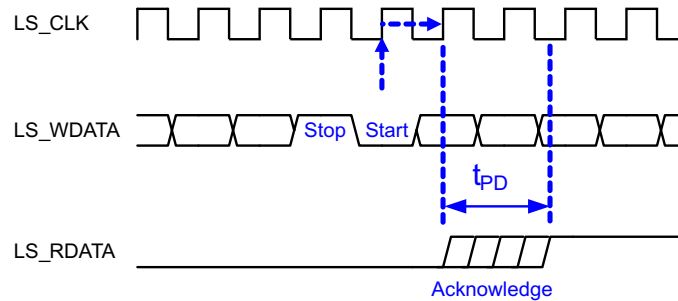
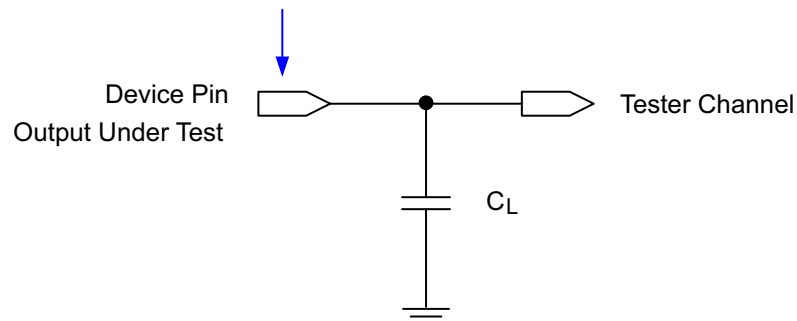


图 6-12. LPSDR Read Out

Data Sheet Timing Reference Point



See [Timing](#) for more information.

图 6-13. Test Load Circuit for Output Propagation Measurement

6.8 Switching Characteristics

See⁽¹⁾.

PARAMETER	TEST CONDITIONS	MIN	TYP	MAX	UNIT
t_{PD}	Output propagation, clock to Q, rising edge of LS_CLK input to LS_RDATA output (See 图 6-12.)			15	ns
	Slew rate, LS_RDATA	0.5			V/ns
	Output duty cycle distortion, LS_RDATA	40%		60%	

(1) Device electrical characteristics are over *Recommended Operation Conditions* unless otherwise noted.

6.9 System Mounting Interface Loads

PARAMETER	MIN	NOM	MAX	UNIT
Maximum system mounting interface load to be applied to the:				
• Thermal Interface Area ⁽¹⁾			60	N
• Clamping and Electrical Interface Area ⁽¹⁾			110	

(1) Uniformly distributed within area shown in 图 6-14.

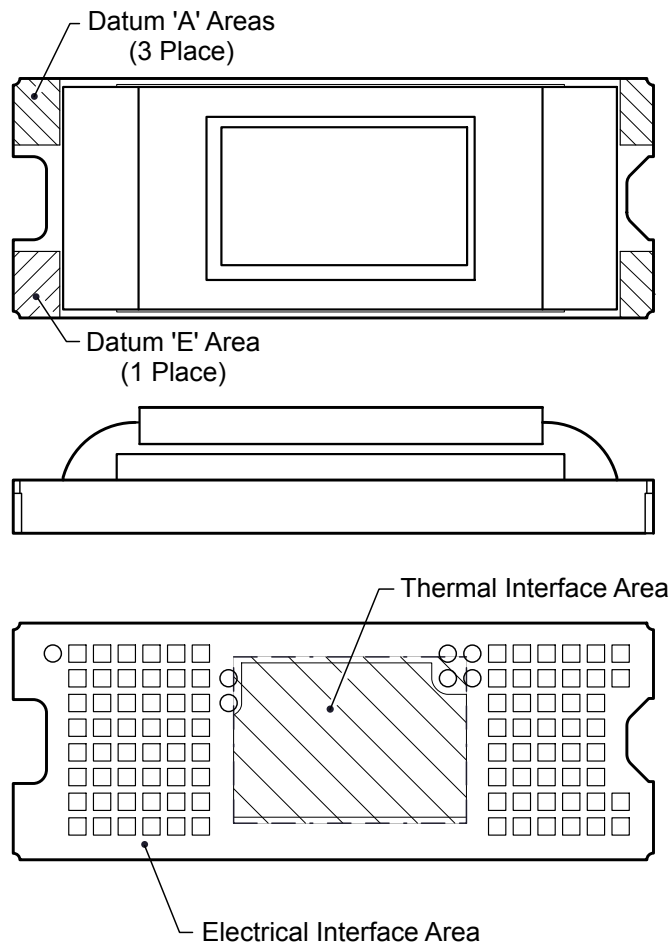


图 6-14. System Interface Loads

6.10 Micromirror Array Physical Characteristics

PARAMETER		VALUE	UNIT
Number of active columns	See 图 6-15 (2).	1368	micromirrors
Number of active rows	See 图 6-15 (2).	768	micromirrors
Micromirror (pixel) pitch	See 图 6-16.	5.4	μm
Micromirror active array width	Micromirror pitch \times number of active columns; see 图 6-15.	7.387	mm
Micromirror active array height	Micromirror pitch \times number of active rows; see 图 6-15.	4.147	mm
Micromirror active border	Pond of micromirror (POM) ⁽¹⁾	20	micromirrors/side

- (1) The structure and qualities of the border around the active array includes a band of partially functional micromirrors called the POM. These micromirrors are structurally and/or electrically prevented from tilting toward the bright or ON state, but still require an electrical bias to tilt toward OFF.
- (2) The fast switching speed of the DMD micromirrors combined with advanced DLP image processing algorithms enable each micromirror to display two distinct pixels on the screen during every frame, resulting in a full 1920 \times 1080 pixel image being displayed.

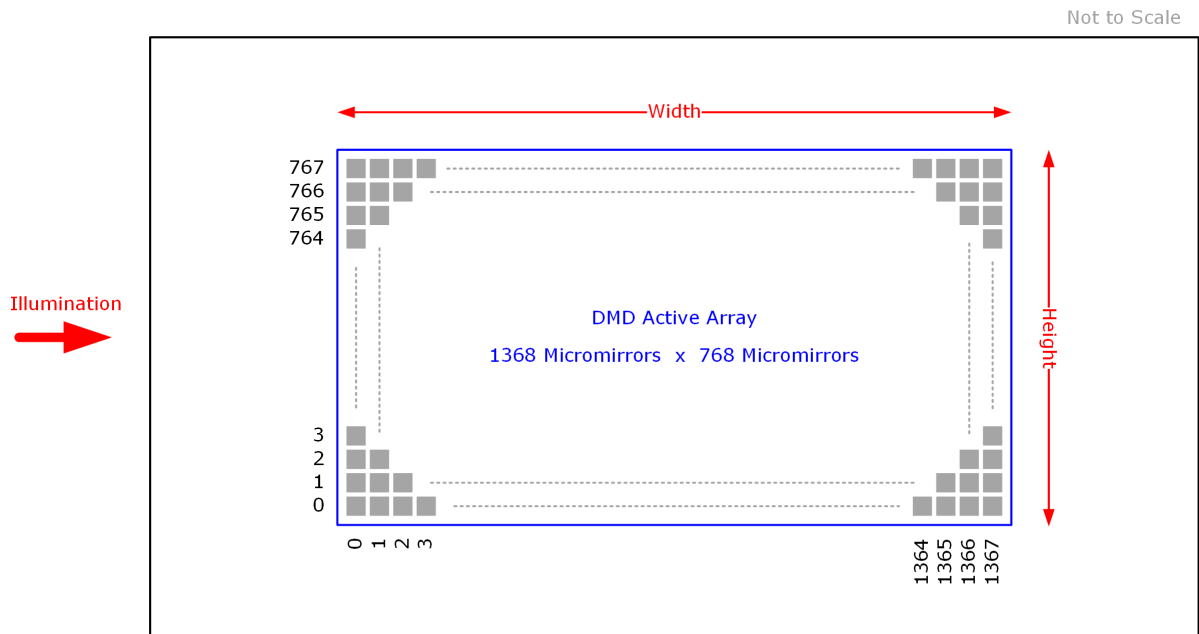


图 6-15. Micromirror Array Physical Characteristics

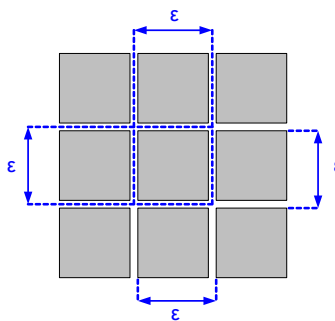


图 6-16. Mirror (Pixel) Pitch

6.11 Micromirror Array Optical Characteristics

PARAMETER		TEST CONDITIONS	MIN	NOM	MAX	UNIT
Micromirror tilt angle		DMD landed state ⁽¹⁾		17		degree
Micromirror tilt angle tolerance ^{(2) (3) (4) (5)}			- 1.4		1.4	degree
Micromirror tilt direction ^{(6) (7)}		Landed ON state		180		degree
		Landed OFF state		270		
Micromirror crossover time ⁽⁸⁾		Typical performance		1	3	µs
Micromirror switching time ⁽⁹⁾		Typical performance	10			
Image performance ⁽¹⁰⁾	Bright pixel(s) in active area ⁽¹¹⁾	Gray 10 Screen ⁽¹²⁾			0	micromirrors
	Bright pixel(s) in the POM ⁽¹³⁾	Gray 10 Screen ⁽¹²⁾			1	
	Dark pixel(s) in the active area ⁽¹⁴⁾	White Screen			4	
	Adjacent pixel(s) ⁽¹⁵⁾	Any Screen			0	
	Unstable pixel(s) in active area ⁽¹⁶⁾	Any Screen			0	

- (1) Measured relative to the plane formed by the overall micromirror array.
- (2) Additional variation exists between the micromirror array and the package datums.
- (3) Represents the landed tilt angle variation relative to the nominal landed tilt angle.
- (4) Represents the variation that can occur between any two individual micromirrors, located on the same device or located on different devices.
- (5) For some applications, it is critical to account for the micromirror tilt angle variation in the overall system optical design. With some system optical designs, the micromirror tilt angle variation within a device may result in perceivable non-uniformities in the light field reflected from the micromirror array. With some system optical designs, the micromirror tilt angle variation between devices may result in colorimetry variations, system efficiency variations, or system contrast variations.
- (6) When the micromirror array is landed (not parked), the tilt direction of each individual micromirror is dictated by the binary contents of the CMOS memory cell associated with each individual micromirror. A binary value of 1 results in a micromirror landing in the ON state direction. A binary value of 0 results in a micromirror landing in the OFF state direction. See [图 6-17](#).
- (7) Micromirror tilt direction is measured as in a typical polar coordinate system: Measuring counter-clockwise from a 0° reference which is aligned with the +X Cartesian axis.
- (8) The time required for a micromirror to nominally transition from one landed state to the opposite landed state.
- (9) The minimum time between successive transitions of a micromirror.
- (10) Conditions of Acceptance: All DMD image quality returns will be evaluated using the following projected image test conditions:
 - Test set degamma shall be linear
 - Test set brightness and contrast shall be set to nominal
 - The diagonal size of the projected image shall be a minimum of 20 inches
 - The projections screen shall be 1X gain
 - The projected image shall be inspected from a 38 inch minimum viewing distance
 - The image shall be in focus during all image quality tests
- (11) Bright pixel definition: A single pixel or mirror that is stuck in the ON position and is visibly brighter than the surrounding pixels
- (12) Gray 10 screen definition: All areas of the screen are colored with the following settings:
 - Red = 10/255
 - Green = 10/255
 - Blue = 10/255
- (13) POM definition: Rectangular border of off-state mirrors surrounding the active area
- (14) Dark pixel definition: A single pixel or mirror that is stuck in the OFF position and is visibly darker than the surrounding pixels
- (15) Adjacent pixel definition: Two or more stuck pixels sharing a common border or common point, also referred to as a cluster
- (16) Unstable pixel definition: A single pixel or mirror that does not operate in sequence with parameters loaded into memory. The unstable pixel appears to be flickering asynchronously with the image

Not to Scale

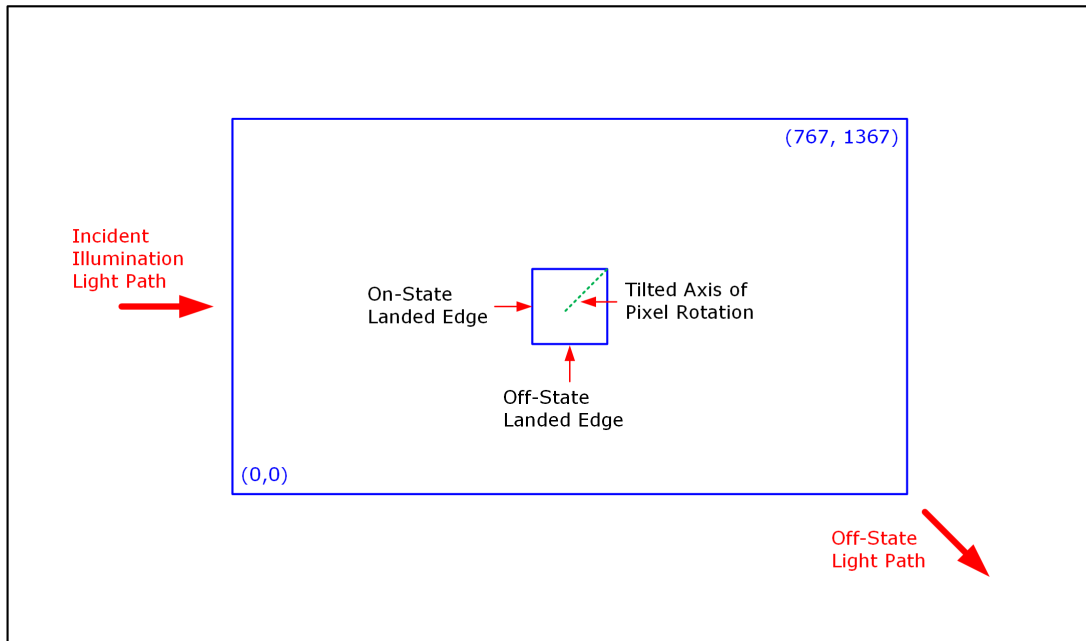


图 6-17. Landed Pixel Orientation and Tilt

6.12 Window Characteristics

PARAMETER ⁽¹⁾		MIN	NOM	MAX	UNIT
Window material		Corning Eagle XG			
Window refractive index	at wavelength 546.1 nm	1.5119			
Window aperture ⁽²⁾				See ⁽²⁾	
Illumination overfill ⁽³⁾				See ⁽³⁾	
Window transmittance, single-pass through both surfaces and glass	Minimum within the wavelength range 420 to 680 nm. Applies to all angles 0° to 30° AOI.	97%			
Window Transmittance, single-pass through both surfaces and glass	Average over the wavelength range 420 to 680 nm. Applies to all angles 30° to 45° AOI.	97%			

(1) See [节 7.5](#) for more information.

(2) See the package mechanical characteristics for details regarding the size and location of the window aperture.

(3) The active area of the DLP3310 device is surrounded by an aperture on the inside of the DMD window surface that masks structures of the DMD device assembly from normal view. The aperture is sized to anticipate several optical conditions. Overfill light illuminating the area outside the active array can scatter and create adverse effects to the performance of an end application using the DMD. The illumination optical system should be designed to limit light flux incident outside the active array to less than 10% of the average flux level in the active area. Depending on the particular system's optical architecture and assembly tolerances, the amount of overfill light on the outside of the active array may cause system performance degradation.

6.13 Chipset Component Usage Specification

备注

TI assumes no responsibility for image quality artifacts or DMD failures caused by optical system operating conditions exceeding limits described previously.

The DLP3310 is a component of one or more DLP® chipsets. Reliable function and operation of the DLP3310 requires that it be used in conjunction with the other components of the applicable DLP chipset, including those components that contain or implement TI DMD control technology. TI DMD control technology consists of the TI technology and devices for operating or controlling a DLP DMD.

6.14 Software Requirements

CAUTION

The DLP3310 DMD has mandatory software requirements. Refer to [Software Requirements for TI DLP®Pico™ TRP Digital Micromirror Devices](#) application report for additional information. Failure to use the specified software will result in failure at power up.

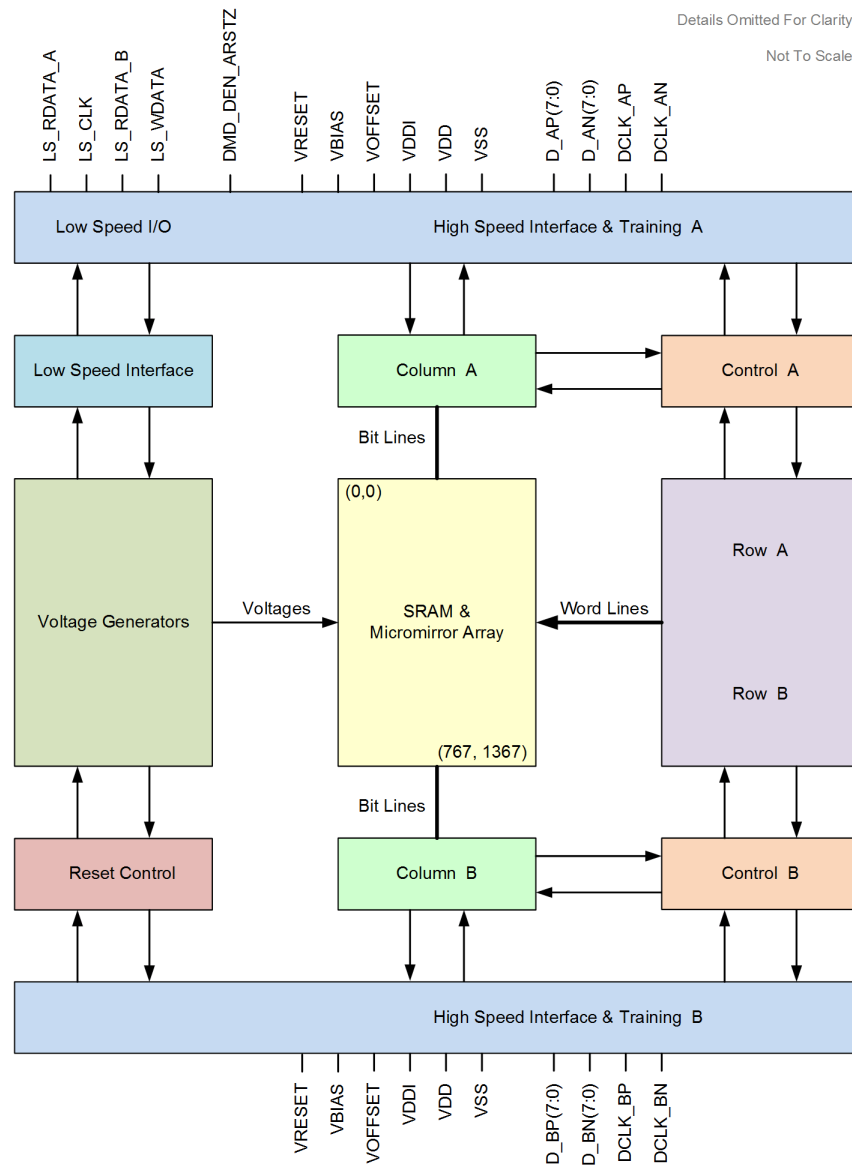
7 Detailed Description

7.1 Overview

The DLP3310 is a 0.33 inch diagonal spatial light modulator of aluminum micromirrors. Pixel array size is 1368 columns by 768 rows in a square grid pixel arrangement. The fast switching speed of the DMD micromirrors combined with advanced DLP image processing algorithms enables each micromirror to display two distinct pixels on the screen during every frame, resulting in a full 1920 x 1080 pixel image being displayed. The electrical interface is Sub Low Voltage Differential Signaling (SubLVDS) data.

The DLP3310 is part of the chipset composed of the DLP3310 DMD, DLPC3437 controller, and DLPA3000/DLPA3005 PMIC/LED driver. To ensure reliable operation, the DLP3310 DMD must always be used with the DLPC3437 controller and the DLPA3000/DLPA3005 PMIC/LED drivers.

7.2 Functional Block Diagram



A. Details omitted for clarity.

7.3 Feature Description

7.3.1 Power Interface

The power management IC DLPA3000/DLPA3005 contains three regulated DC supplies for the DMD reset circuitry: V_{BIAS} , V_{RESET} , and V_{OFFSET} , as well as the two regulated DC supplies for the DLPC3437 controller.


7.3.2 Low-Speed Interface

The Low Speed Interface handles instructions that configure the DMD and control reset operation. LS_CLK is the low-speed clock, and LS_WDATA is the low speed data input.

7.3.3 High-Speed Interface

The purpose of the high-speed interface is to transfer pixel data rapidly and efficiently, making use of high speed DDR transfer and compression techniques to save power and time. The high-speed interface is composed of differential SubLVDS receivers for inputs, with a dedicated clock.

7.3.4 Timing

The data sheet provides timing at the device pin. For output timing analysis, the tester pin electronics and its transmission line effects must be taken into account.  6-13 shows an equivalent test load circuit for the output under test. Timing reference loads are not intended as a precise representation of any particular system environment or depiction of the actual load presented by a production test. System designers should use IBIS or other simulation tools to correlate the timing reference load to a system environment. The load capacitance value stated is only for characterization and measurement of AC timing signals. This load capacitance value does not indicate the maximum load the device is capable of driving.

7.4 Device Functional Modes

DMD functional modes are controlled by the DLPC3437 controller. For more information, see the [DLPC3437 DLPC3437 Display Controller Data Sheet](#) or contact a TI applications engineer.

7.5 Optical Interface and System Image Quality Considerations

TI assumes no responsibility for end-equipment optical performance. Achieving the desired end-equipment optical performance involves making trade-offs between numerous component and system design parameters. Optimizing system optical performance and image quality strongly relate to optical system design parameter trades. Although it is not possible to anticipate every conceivable application, projector image quality and optical performance is contingent on compliance to the optical system operating conditions described in the following sections.

7.5.1 Numerical Aperture and Stray Light Control

The angle defined by the numerical aperture of the illumination and projection optics at the DMD optical area should be the same. This angle should not exceed the nominal device micromirror tilt angle unless appropriate apertures are added in the illumination and/or projection pupils to block out flat-state and stray light from the projection lens. The micromirror tilt angle defines DMD capability to separate the "ON" optical path from any other light path, including undesirable flat-state specular reflections from the DMD window, DMD border structures, or other system surfaces near the DMD such as prism or lens surfaces. If the numerical aperture exceeds the micromirror tilt angle, or if the projection numerical aperture angle is more than two degrees larger than the illumination numerical aperture angle (and vice versa), contrast degradation and objectionable artifacts in the display border and/or active area could occur.

7.5.2 Pupil Match

TI's optical and image quality specifications assume that the exit pupil of the illumination optics is nominally centered within 2° of the entrance pupil of the projection optics. Misalignment of pupils can create objectionable artifacts in the display's border and/or active area, which may require additional system apertures to control, especially if the numerical aperture of the system exceeds the pixel tilt angle.

7.5.3 Illumination Overfill

The active area of the device is surrounded by an aperture on the inside DMD window surface that masks structures of the DMD chip assembly from normal view, and is sized to anticipate several optical operating conditions. Overfill light illuminating the window aperture can create artifacts from the edge of the window aperture opening and other surface anomalies that may be visible on the screen. The illumination optical system should be designed to limit light flux incident anywhere on the window aperture from exceeding approximately 10% of the average flux level in the active area. Depending on the particular system's optical architecture, overfill light may have to be further reduced below the suggested 10% level in order to be acceptable.

7.6 Micromirror Array Temperature Calculation

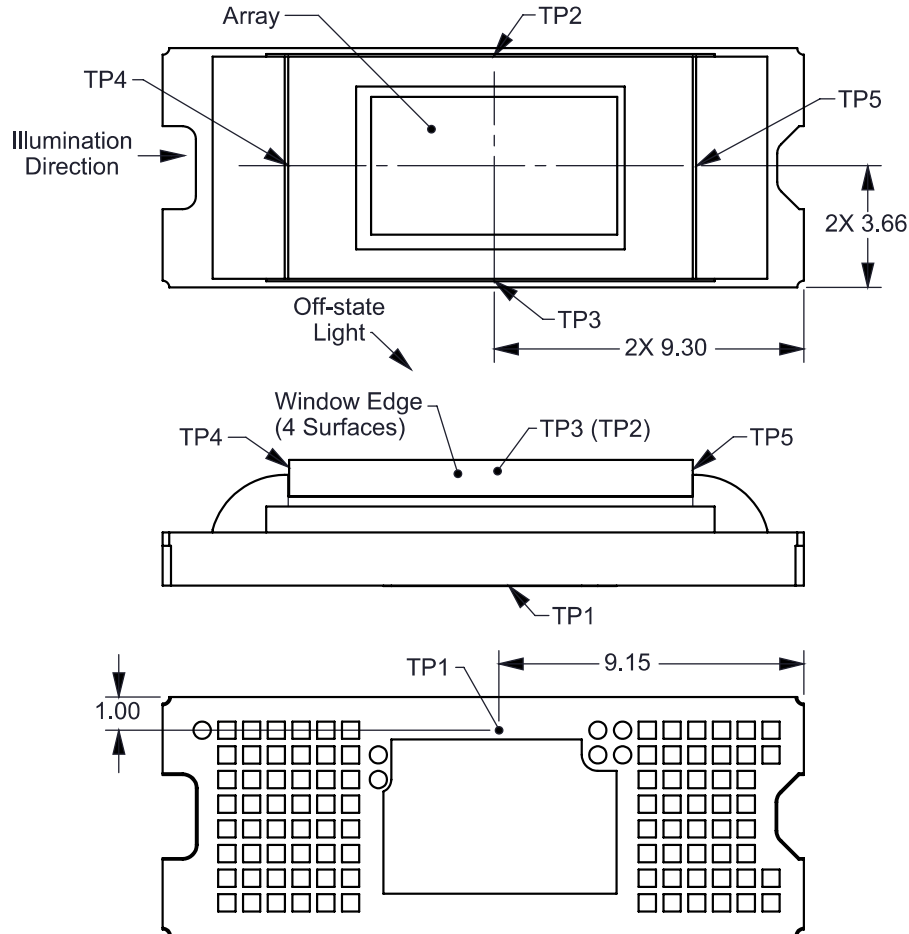


图 7-1. DMD Thermal Test Points

Micromirror array temperature cannot be measured directly, therefore it must be computed analytically from measurement points on the outside of the package, the package thermal resistance, the electrical power, and the illumination heat load. The relationship between array temperature and the reference ceramic temperature (thermal test TP1 in [Figure 7-1](#)) is provided by the following equations:

$$T_{\text{ARRAY}} = T_{\text{CERAMIC}} + (Q_{\text{ARRAY}} \times R_{\text{ARRAY-TO-CERAMIC}})$$

$$Q_{\text{ARRAY}} = Q_{\text{ELECTRICAL}} + Q_{\text{ILLUMINATION}}$$

where

- T_{ARRAY} = Computed array temperature (°C)
- T_{CERAMIC} = Measured ceramic temperature (°C) (TP1 location)
- $R_{\text{ARRAY-TO-CERAMIC}}$ = Thermal resistance of package specified in [Thermal Information](#) from array to ceramic TP1 (°C/Watt)
- Q_{ARRAY} = Total DMD power on the array (W) (electrical + absorbed)
- $Q_{\text{ELECTRICAL}}$ = Nominal electrical power (W)
- Q_{INCIDENT} = Incident illumination optical power (W)
- $Q_{\text{ILLUMINATION}}$ = (DMD average thermal absorptivity \times Q_{INCIDENT}) (W)
- DMD average thermal absorptivity = 0.4

The electrical power dissipation of the DMD is variable and depends on the voltages, data rates and operating frequencies. A nominal electrical power dissipation to use when calculating array temperature is 0.16 Watts. The absorbed power from the illumination source is variable and depends on the operating state of the micromirrors and the intensity of the light source. The equations shown above are valid for a single chip or multichip DMD system. It assumes an illumination distribution of 83.7% on the active array, and 16.3% on the array border.

The sample calculation for a typical projection application is as follows:

$$Q_{\text{INCIDENT}} = 5.9 \text{ W (measured)}$$

$$T_{\text{CERAMIC}} = 52.0^\circ\text{C (measured)}$$

$$Q_{\text{ELECTRICAL}} = 0.16 \text{ W}$$

$$Q_{\text{ARRAY}} = 0.16 \text{ W} + (0.40 \times 5.9 \text{ W}) = 2.52 \text{ W}$$

$$T_{\text{ARRAY}} = 52.0^\circ\text{C} + (2.52 \text{ W} \times 6.0^\circ\text{C/W}) = 67.1^\circ\text{C}$$

7.7 Micromirror Power Density Calculation

The calculation of the optical power density of the illumination on the DMD in the different wavelength bands uses the total measured optical power on the DMD, percent illumination overfill, area of the active array, and ratio of the spectrum in the wavelength band of interest to the total spectral optical power.

- $ILL_{\text{UV}} = [OP_{\text{UV-RATIO}} \times Q_{\text{INCIDENT}}] \times 1000 \div A_{\text{ILL}}$ (mW/cm²)
- $ILL_{\text{VIS}} = [OP_{\text{VIS-RATIO}} \times Q_{\text{INCIDENT}}] \div A_{\text{ILL}}$ (W/cm²)
- $ILL_{\text{IR}} = [OP_{\text{IR-RATIO}} \times Q_{\text{INCIDENT}}] \times 1000 \div A_{\text{ILL}}$ (mW/cm²)
- $ILL_{\text{BLU}} = [OP_{\text{BLU-RATIO}} \times Q_{\text{INCIDENT}}] \div A_{\text{ILL}}$ (W/cm²)

DLP3310

ZHCSJ26D - NOVEMBER 2018 - REVISED JULY 2023

- $ILL_{BLU1} = [OP_{BLU1-RATIO} \times Q_{INCIDENT}] \div A_{ILL}$ (W/cm²)
- $A_{ILL} = A_{ARRAY} \div (1 - OV_{ILL})$ (cm²)

where:

- ILL_{UV} = UV illumination power density on the DMD (mW/cm²)
- ILL_{VIS} = VIS illumination power density on the DMD (W/cm²)
- ILL_{IR} = IR illumination power density on the DMD (mW/cm²)
- ILL_{BLU} = BLU illumination power density on the DMD (W/cm²)
- ILL_{BLU1} = BLU1 illumination power density on the DMD (W/cm²)
- A_{ILL} = illumination area on the DMD (cm²)
- $Q_{INCIDENT}$ = total incident optical power on DMD (W) (measured)
- A_{ARRAY} = area of the array (cm²) (data sheet)
- OV_{ILL} = percent of total illumination on the DMD outside the array (%) (optical model)
- $OP_{UV-RATIO}$ = ratio of the optical power for wavelengths <410 nm to the total optical power in the illumination spectrum (spectral measurement)
- $OP_{VIS-RATIO}$ = ratio of the optical power for wavelengths ≥ 410 and ≤ 800 nm to the total optical power in the illumination spectrum (spectral measurement)
- $OP_{IR-RATIO}$ = ratio of the optical power for wavelengths >800 nm to the total optical power in the illumination spectrum (spectral measurement)
- $OP_{BLU-RATIO}$ = ratio of the optical power for wavelengths ≥ 410 and ≤ 475 nm to the total optical power in the illumination spectrum (spectral measurement)
- $OP_{BLU1-RATIO}$ = ratio of the optical power for wavelengths ≥ 410 and ≤ 445 nm to the total optical power in the illumination spectrum (spectral measurement)

The illumination area varies and depends on the illumination overfill. The total illumination area on the DMD is the array area and overfill area around the array. The optical model is used to determine the percent of the total illumination on the DMD that is outside the array (OV_{ILL}) and the percent of the total illumination that is on the active array. From these values the illumination area (A_{ILL}) is calculated. The illumination is assumed to be uniform across the entire array.

From the measured illumination spectrum, the ratio of the optical power in the wavelength bands of interest to the total optical power is calculated.

Sample calculation:

$$Q_{INCIDENT} = 5.9 \text{ W (measured)}$$

$$A_{ARRAY} = (0.73872 \times 0.41472) = 0.3064 \text{ cm}^2 \text{ (data sheet)}$$

$$OV_{ILL} = 16.3\% \text{ (optical model)}$$

$$OP_{UV-RATIO} = 0.00021 \text{ (spectral measurement)}$$

$$OP_{VIS-RATIO} = 0.99977 \text{ (spectral measurement)}$$

$$OP_{IR-RATIO} = 0.00002 \text{ (spectral measurement)}$$

$$OP_{BLU-RATIO} = 0.28100 \text{ (spectral measurement)}$$

$OP_{BLU1-RATIO} = 0.03200$ (spectral measurement)

$A_{ILL} = 0.3064 \div (1 - 0.163) = 0.3660 \text{ cm}^2$

$ILL_{UV} = [0.00021 \times 5.90W] \times 1000 \div 0.3660 \text{ cm}^2 = 3.385 \text{ mW/cm}^2$

$ILL_{VIS} = [0.99977 \times 5.90W] \div 0.3660 \text{ cm}^2 = 16.12 \text{ W/cm}^2$

$ILL_{IR} = [0.00002 \times 5.90W] \times 1000 \div 0.3660 \text{ cm}^2 = 0.322 \text{ mW/cm}^2$

$ILL_{BLU} = [0.28100 \times 5.90W] \div 0.3660 \text{ cm}^2 = 4.53 \text{ W/cm}^2$

$ILL_{BLU1} = [0.03200 \times 5.90W] \div 0.3660 \text{ cm}^2 = 0.52 \text{ W/cm}^2$

7.8 Micromirror Landed-On/Landed-Off Duty Cycle

7.8.1 Definition of Micromirror Landed-On/Landed-Off Duty Cycle

The micromirror landed-on/landed-off duty cycle (landed duty cycle) denotes the amount of time (as a percentage) that an individual micromirror is landed in the ON state versus the amount of time the same micromirror is landed in the OFF state.

As an example, a landed duty cycle of 75/25 indicates that the referenced pixel is in the ON state 75% of the time and in the OFF state 25% of the time, whereas 25/75 would indicate that the pixel is in the ON state 25% of the time. Likewise, 50/50 indicates that the pixel is ON 50% of the time and OFF 50% of the time.

Note that when assessing landed duty cycle, the time spent switching from one state (ON or OFF) to the other state (OFF or ON) is considered negligible and is thus ignored.

Since a micromirror can only be landed in one state or the other (ON or OFF), the two numbers (percentages) nominally add to 100.

7.8.2 Landed Duty Cycle and Useful Life of the DMD

Knowing the long-term average landed duty cycle (of the end product or application) is important because subjecting all (or a portion) of the DMD's micromirror array (also called the active array) to an asymmetric landed duty cycle for a prolonged period of time can reduce the DMD's usable life.

It is the symmetry and asymmetry of the landed duty cycle that is of relevance. The symmetry of the landed duty cycle is determined by how close the two numbers (percentages) are to being equal. For example, a landed duty cycle of 50/50 is perfectly symmetrical whereas a landed duty cycle of 100/0 or 0/100 is perfectly asymmetrical.

7.8.3 Landed Duty Cycle and Operational DMD Temperature

Operational DMD Temperature and Landed Duty Cycle interact to affect the DMD's usable life, and this interaction can be exploited to reduce the impact that an asymmetrical Landed Duty Cycle has on the DMD's usable life. This is quantified in the de-rating curve shown in [Figure 6-1](#). The importance of this curve is that:

- All points along this curve represent the same usable life.
- All points above this curve represent lower usable life (and the further away from the curve, the lower the usable life).
- All points below this curve represent higher usable life (and the further away from the curve, the higher the usable life).

In practice, this curve specifies the Maximum Operating DMD Temperature that the DMD should be operated at for a given long-term average Landed Duty Cycle.

7.8.4 Estimating the Long-Term Average Landed Duty Cycle of a Product or Application

During a given period of time, the nominal landed duty cycle of a given pixel is determined by the image content being displayed by that pixel.

For example, in the simplest case, when displaying pure-white on a given pixel for a given time period, that pixel will experience very close to a 100/0 landed duty cycle during that time period. Likewise, when displaying pure-black, the pixel will experience very close to a 0/100 landed duty cycle.

Between the two extremes (ignoring for the moment color and any image processing that may be applied to an incoming image), the landed duty cycle tracks one-to-one with the gray scale value, as shown in [表 7-1](#).

表 7-1. Grayscale Value and Landed Duty Cycle

Grayscale Value	Nominal Landed Duty Cycle
0%	0/100
10%	10/90
20%	20/80
30%	30/70
40%	40/60
50%	50/50
60%	60/40
70%	70/30
80%	80/20
90%	90/10
100%	100/0

Accounting for color rendition (but still ignoring image processing) requires knowing both the color intensity (from 0% to 100%) for each constituent primary color (red, green, and/or blue) for the given pixel as well as the color cycle time for each primary color, where “color cycle time” is the total percentage of the frame time that a given primary must be displayed in order to achieve the desired white point.

During a given period of time, the landed duty cycle of a given pixel can be calculated as follows:

$$\text{Landed Duty Cycle} = (\text{Red_Cycle_}\% \times \text{Red_Scale_Value}) + (\text{Green_Cycle_}\% \times \text{Green_Scale_Value}) + (\text{Blue_Cycle_}\% \times \text{Blue_Scale_Value}) \quad (1)$$

where

Red_Cycle_%, Green_Cycle_%, and Blue_Cycle_% represent the percentage of the frame time that Red, Green, and Blue are displayed (respectively) to achieve the desired white point.

For example, assume that the red, green and blue color cycle times are 50%, 20%, and 30% respectively (in order to achieve the desired white point), then the Landed Duty Cycle for various combinations of red, green, blue color intensities would be as shown in [表 7-2](#).

表 7-2. Example Landed Duty Cycle for Full-Color Pixels

Red Cycle Percentage	Green Cycle Percentage	Blue Cycle Percentage	
50%	20%	30%	

Red Scale Value	Green Scale Value	Blue Scale Value	Nominal Landed Duty Cycle
0%	0%	0%	0/100
100%	0%	0%	50/50
0%	100%	0%	20/80
0%	0%	100%	30/70

Red Scale Value	Green Scale Value	Blue Scale Value	Nominal Landed Duty Cycle
12%	0%	0%	6/94
0%	35%	0%	7/93
0%	0%	60%	18/82
100%	100%	0%	70/30
0%	100%	100%	50/50
100%	0%	100%	80/20
12%	35%	0%	13/87
0%	35%	60%	25/75
12%	0%	60%	24/76
100%	100%	100%	100/0

The last factor to account for in estimating the Landed Duty Cycle is any applied image processing. Within the DLP Controller DLPC3437, the two functions which affect Landed Duty Cycle are Gamma and IntelliBright™.

Gamma is a power function of the form $Output_Level = A \times Input_Level^{Gamma}$, where A is a scaling factor that is typically set to 1.

In the DLPC3430/DLPC3435 controller, gamma is applied to the incoming image data on a pixel-by-pixel basis. A typical gamma factor is 2.2, which transforms the incoming data as shown in [图 7-2](#).

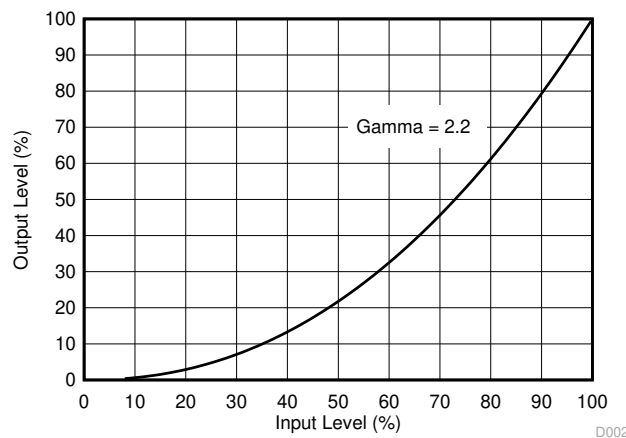


图 7-2. Example of Gamma = 2.2

From [图 7-2](#), if the gray scale value of a given input pixel is 40% (before gamma is applied), then gray scale value will be 13% after gamma is applied. Therefore, it can be seen that since gamma has a direct impact displayed gray scale level of a pixel, it also has a direct impact on the landed duty cycle of a pixel.

The IntelliBright algorithms content adaptive illumination control (CAIC) and local area brightness boost (LABB) also apply transform functions on the gray scale level of each pixel.

But while the amount of gamma applied to every pixel (of every frame) is constant (the exponent, gamma, is constant), CAIC and LABB are both adaptive functions that can apply a different amounts of either boost or compression to every pixel of every frame.

Consideration must also be given to any image processing which occurs before the DLPC3437 controller.

8 Application and Implementation

备注

以下应用部分中的信息不属于 TI 器件规格的范围，TI 不担保其准确性和完整性。TI 的客户应负责确定器件是否适用于其应用。客户应验证并测试其设计，以确保系统功能。

8.1 Application Information

The DMDs are spatial light modulators which reflect incoming light from an illumination source to one of two directions, with the primary direction being into a projection or collection optic. Each application is derived primarily from the optical architecture of the system and the format of the data coming into the dual DLPC3437 controllers. The new high tilt pixel in the side-illuminated DMD increases brightness performance and enables a smaller system footprint for thickness constrained applications. Applications of interest include projection embedded in display devices like battery powered mobile accessory full HD projectors, battery powered smart full HD projectors, digital signage, interactive surface projection, low latency gaming displays, interactive displays, and wearable displays.

DMD power-up and power-down sequencing is strictly controlled by the DLPA3000/DLPA3005. Refer to [节 9](#) for power-up and power-down specifications. To ensure reliable operation, the DLP3310 DMD must always be used with two DLPC3437 controllers and a DLPA3000/DLPA3005 PMIC/LED driver.

8.2 Typical Application

A common application when using a DLP3310 DMD and two DLPC3437s is for creating a pico-projector that can be used as an accessory to a smartphone, tablet or a laptop. The two DLPC3437s in the pico-projector receive images from the XC7Z020-1CLG484I4493 FPGA, which receives images from a multimedia front end within the product as shown in [图 8-1](#).

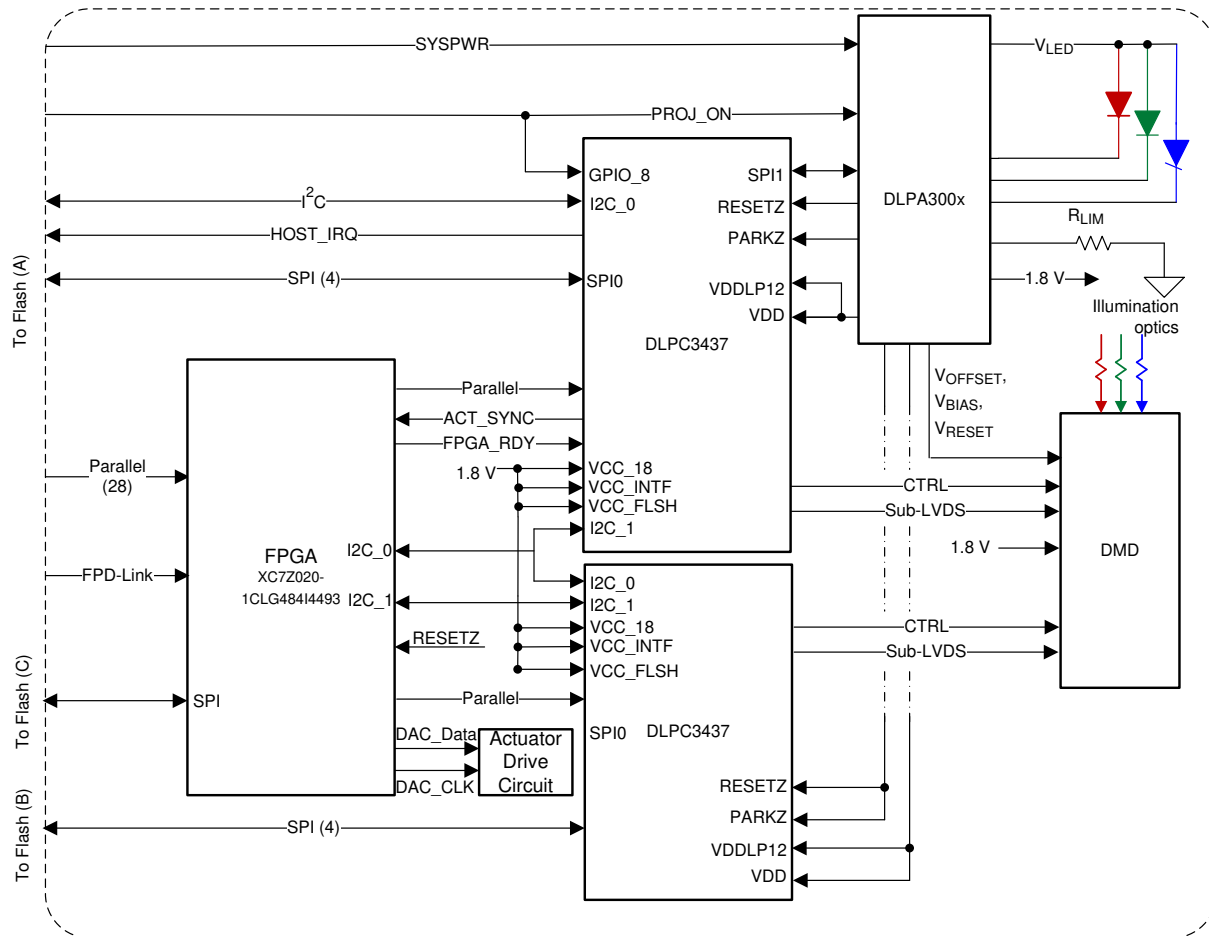


图 8-1. Typical Application Diagram

8.2.1 Design Requirements

A pico-projector is created by using a DLP chip set comprised a DLP3310 DMD, two DLPC3437 controllers, a XC7Z020-1CLG484I4493 FPGA, and a DLPA3000/DLPA3005 PMIC/LED driver. The XC7Z020-1CLG484I4493 FPGA and DLPC3437 controllers do the digital image processing, the DLPA3000/DLPA3005 provides the needed analog functions for the projector, and the DLP3310 DMD is the display device for producing the projected image.

In addition to the three DLP chips in the chip set, other chips are needed. At a minimum a Flash part is needed to store the software and firmware to control the XC7Z020-1CLG484I4493 FPGA, and each of the DLPC3437 controllers.

The illumination light that is applied to the DMD is typically from red, green, and blue LEDs. These are often contained in three separate packages, but sometimes more than one color of LED die may be in the same package to reduce the overall size of the pico-projector.

For connecting the XC7Z020-1CLG484I4493 FPGA to the multimedia front end for receiving images, either a 24-bit parallel interface can be used, or the dual FPD-Link interface can be used. An I²C interface should be connected from the multimedia front end for sending commands to one of the DLPC3437 controllers for configuring the chipset for different features.

8.2.2 Detailed Design Procedure

For connecting together the XC7Z020-1CLG484I4493 FPGA, the two DLPC3437 controllers, the DLPA3000/DLPA3005, and the DLP3310 DMD, see the reference design schematic. When a circuit board layout is created from this schematic a very small circuit board is possible. An example small board layout is included in the reference design data base. Layout guidelines should be followed to achieve a reliable projector.

The optical engine that has the LED packages and the DMD mounted to it is typically supplied by an optical OEM who specializes in designing optics for DLP projectors.

8.2.3 Application Curve

As the LED currents that are driven time-sequentially through the red, green, and blue LEDs are increased, the brightness of the projector increases. This increase is somewhat non-linear, and the curve for typical white screen lumens changes with LED currents is as shown in 图 8-2. For the LED currents shown, it's assumed that the same current amplitude is applied to the red, green, and blue LEDs.

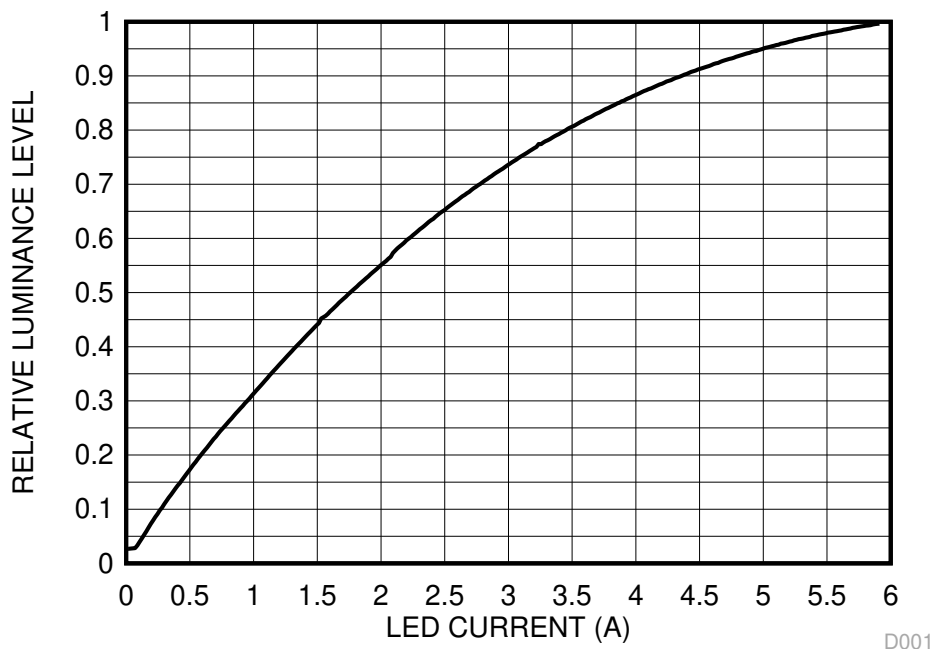


图 8-2. Luminance vs Current

D001

9 Power Supply Recommendations

The following power supplies are all required to operate the DMD: V_{DD} , V_{DDI} , V_{OFFSET} , V_{BIAS} , and V_{RESET} . All V_{SS} connections are also required. DMD power-up and power-down sequencing is strictly controlled by the DLPA3000/DLPA3005 devices.

CAUTION

For reliable operation of the DMD, the following power supply sequencing requirements must be followed. Failure to adhere to the prescribed power-up and power-down procedures may affect device reliability.

V_{DD} , V_{DDI} , V_{OFFSET} , V_{BIAS} , and V_{RESET} power supplies have to be coordinated during power-up and power-down operations. Failure to meet any of the below requirements will result in a significant reduction in the DMD's reliability and lifetime. Refer to [图 9-2](#). V_{SS} must also be connected.

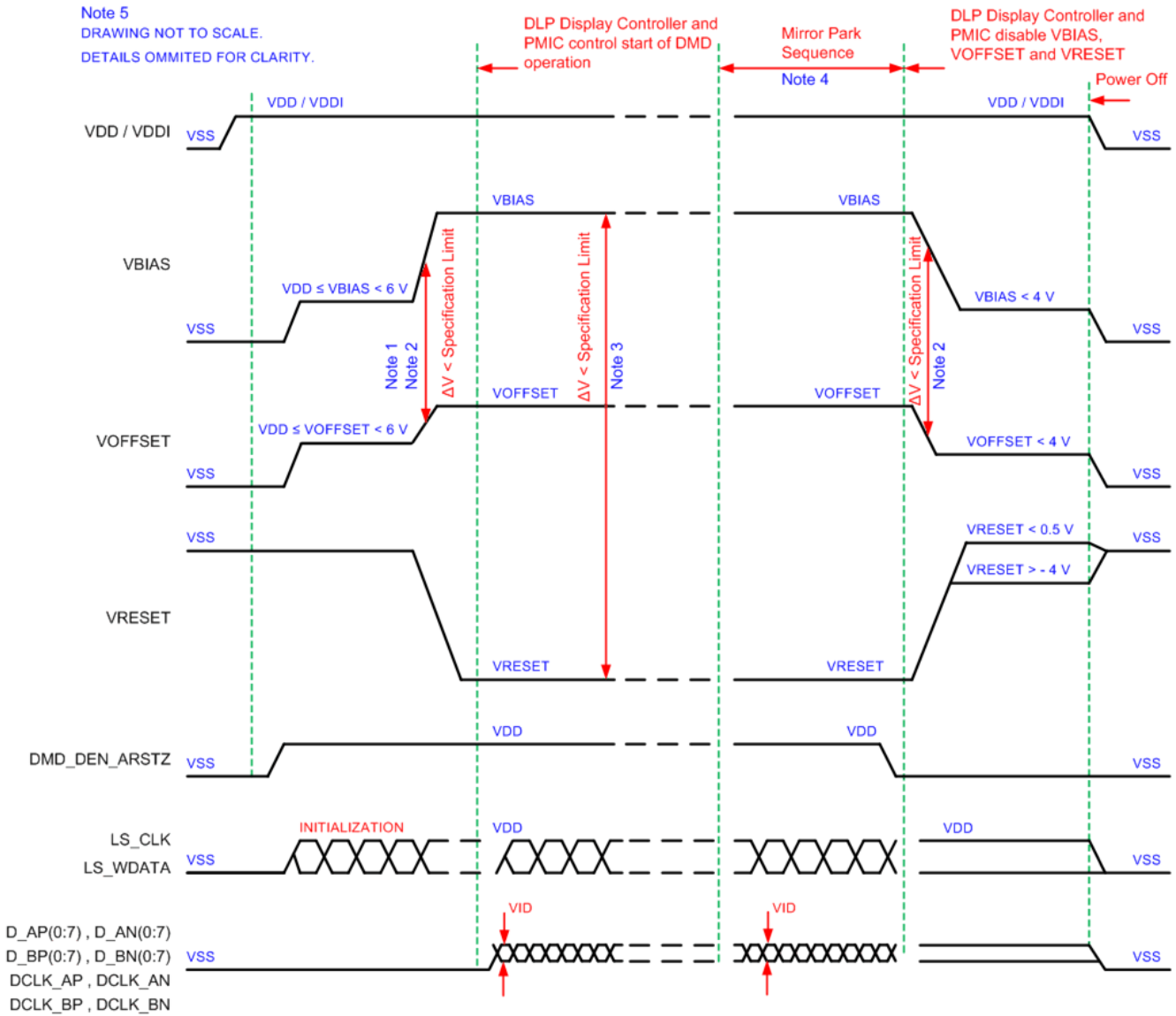
9.1 Power Supply Power-Up Procedure

- During power-up, V_{DD} and V_{DDI} must always start and settle before V_{OFFSET} , V_{BIAS} , and V_{RESET} voltages are applied to the DMD.
- During power-up, it is a strict requirement that the delta between V_{BIAS} and V_{OFFSET} must be within the specified limit shown in [Recommended Operating Conditions](#). Refer to [表 9-1](#) and the [Layout Example](#) for power-up delay requirements.
- During power-up, the DMD's LPSDR input pins shall not be driven high until after V_{DD} and V_{DDI} have settled at operating voltage.
- During power-up, there is no requirement for the relative timing of V_{RESET} with respect to V_{OFFSET} and V_{BIAS} . Power supply slew rates during power-up are flexible, provided that the transient voltage levels follow the requirements listed previously and in [图 9-1](#).

9.2 Power Supply Power-Down Procedure

- Power-down sequence is the reverse order of the previous power-up sequence. V_{DD} and V_{DDI} must be supplied until after V_{BIAS} , V_{RESET} , and V_{OFFSET} are discharged to within 4 V of ground.
- During power-down, it is not mandatory to stop driving V_{BIAS} prior to V_{OFFSET} , but it is a strict requirement that the delta between V_{BIAS} and V_{OFFSET} must be within the specified limit shown in [Recommended Operating Conditions](#) (Refer to Note 2 for [图 9-1](#)).
- During power-down, the DMD's LPSDR input pins must be less than V_{DDI} , the specified limit shown in [Recommended Operating Conditions](#).
- During power-down, there is no requirement for the relative timing of V_{RESET} with respect to V_{OFFSET} and V_{BIAS} .
- Power supply slew rates during power-down are flexible, provided that the transient voltage levels follow the requirements listed previously and in [图 9-1](#).

9.3 Power Supply Sequencing Requirements



- A. Refer to 表 9-1 and 图 9-2 for critical power-up sequence delay requirements.
- B. To prevent excess current, the supply voltage delta $|V_{BIAS} - V_{OFFSET}|$ must be less than specified in [Recommended Operating Conditions](#). OEMs may find that the most reliable way to ensure this is to power V_{OFFSET} prior to V_{BIAS} during power-up and to remove V_{BIAS} prior to V_{OFFSET} during power-down. Refer to 表 9-1 and 图 9-2 for power-up delay requirements.
- C. To prevent excess current, the supply voltage delta $|V_{BIAS} - V_{RESET}|$ must be less than specified limit shown in 节 6.4.
- D. When system power is interrupted, the DLPA3000/DLPA3005 initiates hardware power-down that disables V_{BIAS} , V_{RESET} and V_{OFFSET} after the Micromirror Park Sequence.
- E. Drawing is not to scale and details are omitted for clarity.

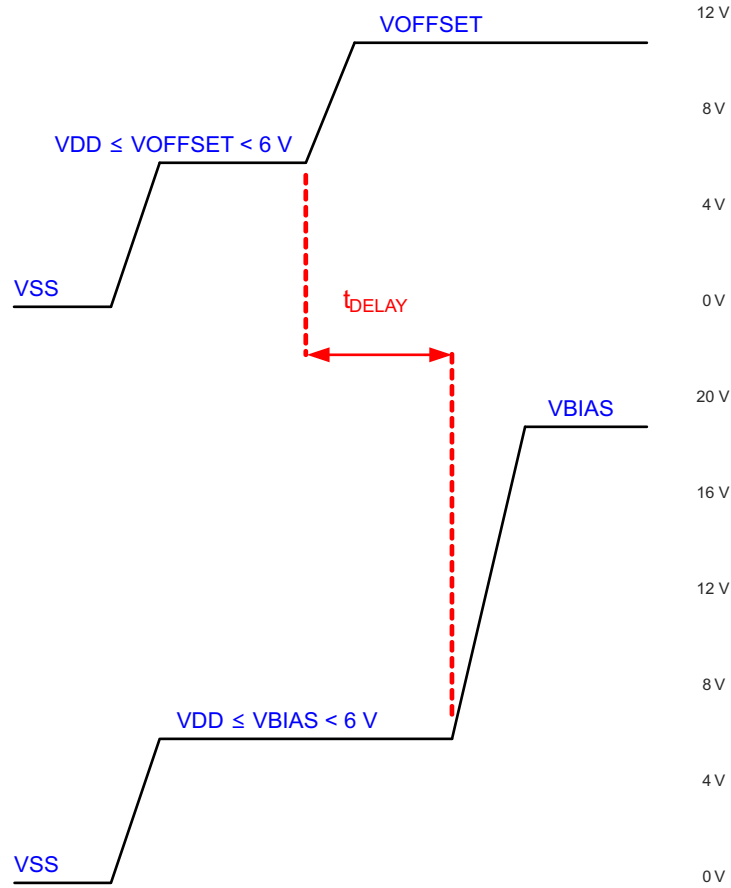
图 9-1. Power Supply Sequencing Requirements (Power Up and Power Down)

表 9-1. Power-Up Sequence Delay Requirement

PARAMETER		MIN	MAX	UNIT
t_{DELAY}	Delay requirement from V_{OFFSET} power up to V_{BIAS} power up	2		ms
V_{OFFSET}	Supply voltage level at beginning of power - up sequence delay (see 图 9-2)		6	V

表 9-1. Power-Up Sequence Delay Requirement (continued)

PARAMETER		MIN	MAX	UNIT
V _{BIAS}	Supply voltage level at end of power - up sequence delay (see 图 9-2)		6	V



Refer to 表 9-1 for V_{OFFSET} and V_{BIAS} supply voltage levels during power-up sequence delay.

图 9-2. Power-Up Sequence Delay Requirement

10 Layout

10.1 Layout Guidelines

The DLP3310 DMD is connected to a PCB or a Flex circuit using an interposer. For additional layout guidelines regarding length matching, impedance, etc. see the DLPC3437 controller datasheet. For a detailed layout example refer to the layout design files. Some layout guidelines for routing to the DLP3310 DMD are:

- Match lengths for the LS_WDATA and LS_CLK signals.
- Minimize vias, layer changes, and turns for the HS bus signals. Refer to [图 10-1](#).
- Minimum of two 220-nF (35 V) capacitors - one close to V_{BIAS} pin. Capacitors C10 and C14 in [图 10-1](#).
- Minimum of two 220-nF (35 V) capacitors - one close to each V_{RST} pin. Capacitors C11 and C13 in [图 10-1](#).
- Minimum of two 220-nF (35 V) capacitors - one close to each V_{OFS} pin. Capacitors C4 and C12 in [图 10-1](#).
- Minimum of four 220-nF (10 V) capacitors - two close to each side of the DMD. Capacitors C1, C3, C2, and C5 in [图 10-1](#).

10.2 Layout Example

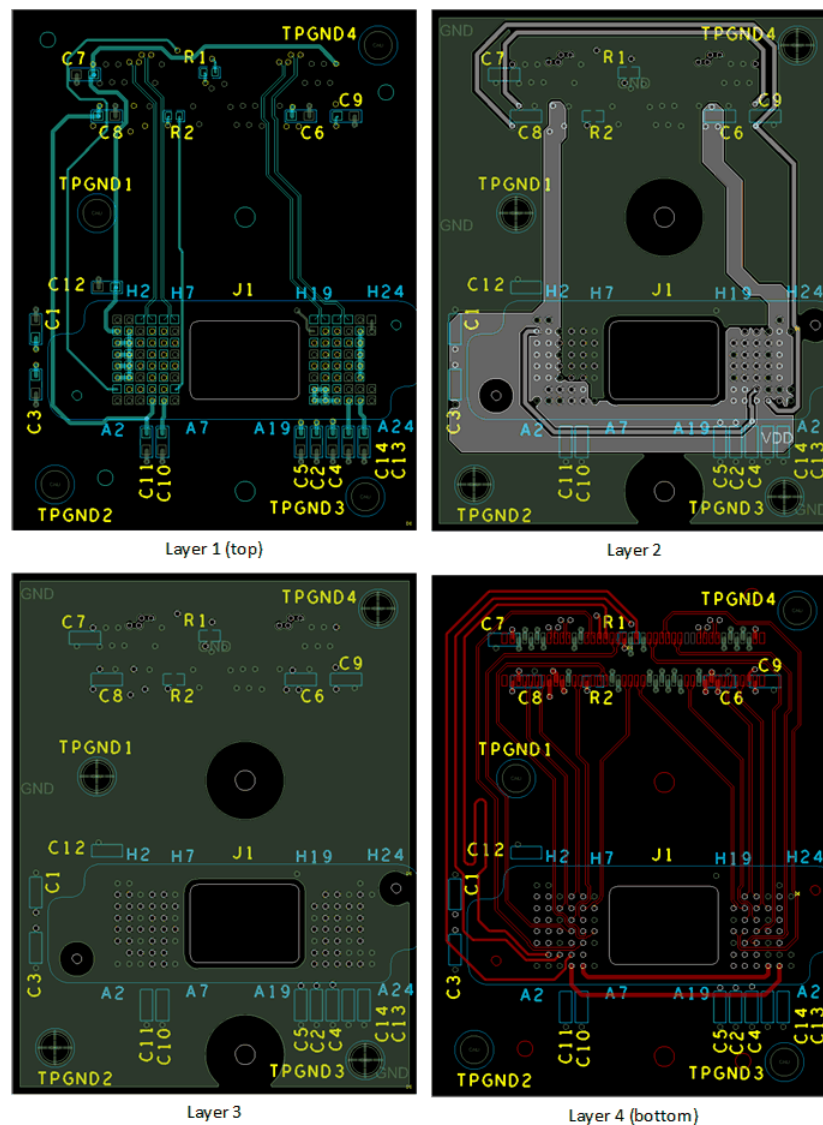


图 10-1. Power Supply Connections

11 Device and Documentation Support

11.1 第三方产品免责声明

TI 发布的与第三方产品或服务有关的信息，不能构成与此类产品或服务或保修的适用性有关的认可，不能构成此类产品或服务单独或与任何 TI 产品或服务一起的表示或认可。

11.2 Device Support

11.2.1 Device Nomenclature

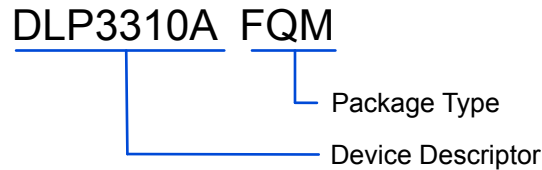


图 11-1. Part Number Description

11.2.2 Device Markings

The device marking includes the legible character string GHJJJK DLP3310AFQM. GHJJJK is the lot trace code. DLP3310AFQM is the device marking.

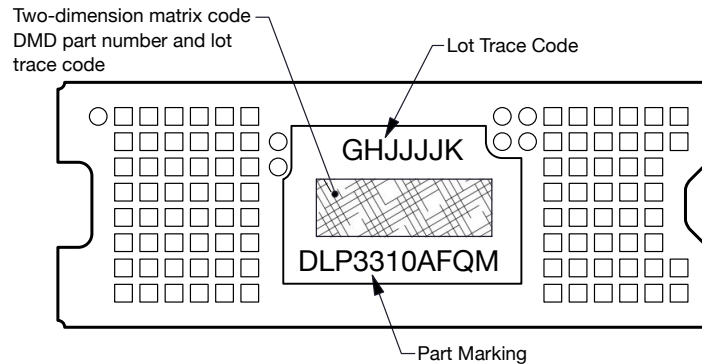


图 11-2. DMD Marking

11.3 Documentation Support

11.4 Receiving Notification of Documentation Updates

To receive notification of documentation updates, navigate to the device product folder on ti.com. In the upper right corner, click on *Alert me* to register and receive a weekly digest of any product information that has changed. For change details, review the revision history included in any revised document.

11.5 支持资源

[TI E2E™ 支持论坛](#)是工程师的重要参考资料，可直接从专家获得快速、经过验证的解答和设计帮助。搜索现有解答或提出自己的问题可获得所需的快速设计帮助。

链接的内容由各个贡献者“按原样”提供。这些内容并不构成 TI 技术规范，并且不一定反映 TI 的观点；请参阅 TI 的《使用条款》。

11.6 Trademarks

Pico™ and TI E2E™ are trademarks of Texas Instruments.

IntelliBright™ is a trademark of Texas Instruments.

DLP® is a registered trademark of Texas Instruments.

所有商标均为其各自所有者的财产。

11.7 静电放电警告



静电放电 (ESD) 会损坏这个集成电路。德州仪器 (TI) 建议通过适当的预防措施处理所有集成电路。如果不遵守正确的处理和安装程序，可能会损坏集成电路。

ESD 的损坏小至导致微小的性能降级，大至整个器件故障。精密的集成电路可能更容易受到损坏，这是因为非常细微的参数更改都可能会导致器件与其发布的规格不相符。

11.8 术语表

[TI 术语表](#) 本术语表列出并解释了术语、首字母缩略词和定义。

12 Mechanical, Packaging, and Orderable Information

The following pages include mechanical, packaging, and orderable information. This information is the most current data available for the designated devices. This data is subject to change without notice and revision of this document. For browser-based versions of this data sheet, refer to the left-hand navigation.

PACKAGING INFORMATION

Orderable Device	Status (1)	Package Type	Package Drawing	Pins	Package Qty	Eco Plan (2)	Lead finish/ Ball material (6)	MSL Peak Temp (3)	Op Temp (°C)	Device Marking (4/5)	Samples
DLP3310AFQM	ACTIVE	CLGA	FQM	92	100	RoHS & Green	NI/AU	N / A for Pkg Type	0 to 70		Samples

(1) The marketing status values are defined as follows:

ACTIVE: Product device recommended for new designs.

LIFEBUY: TI has announced that the device will be discontinued, and a lifetime-buy period is in effect.

NRND: Not recommended for new designs. Device is in production to support existing customers, but TI does not recommend using this part in a new design.

PREVIEW: Device has been announced but is not in production. Samples may or may not be available.

OBSELETE: TI has discontinued the production of the device.

(2) **RoHS:** TI defines "RoHS" to mean semiconductor products that are compliant with the current EU RoHS requirements for all 10 RoHS substances, including the requirement that RoHS substance do not exceed 0.1% by weight in homogeneous materials. Where designed to be soldered at high temperatures, "RoHS" products are suitable for use in specified lead-free processes. TI may reference these types of products as "Pb-Free".

RoHS Exempt: TI defines "RoHS Exempt" to mean products that contain lead but are compliant with EU RoHS pursuant to a specific EU RoHS exemption.

Green: TI defines "Green" to mean the content of Chlorine (Cl) and Bromine (Br) based flame retardants meet JS709B low halogen requirements of <=1000ppm threshold. Antimony trioxide based flame retardants must also meet the <=1000ppm threshold requirement.

(3) MSL, Peak Temp. - The Moisture Sensitivity Level rating according to the JEDEC industry standard classifications, and peak solder temperature.

(4) There may be additional marking, which relates to the logo, the lot trace code information, or the environmental category on the device.

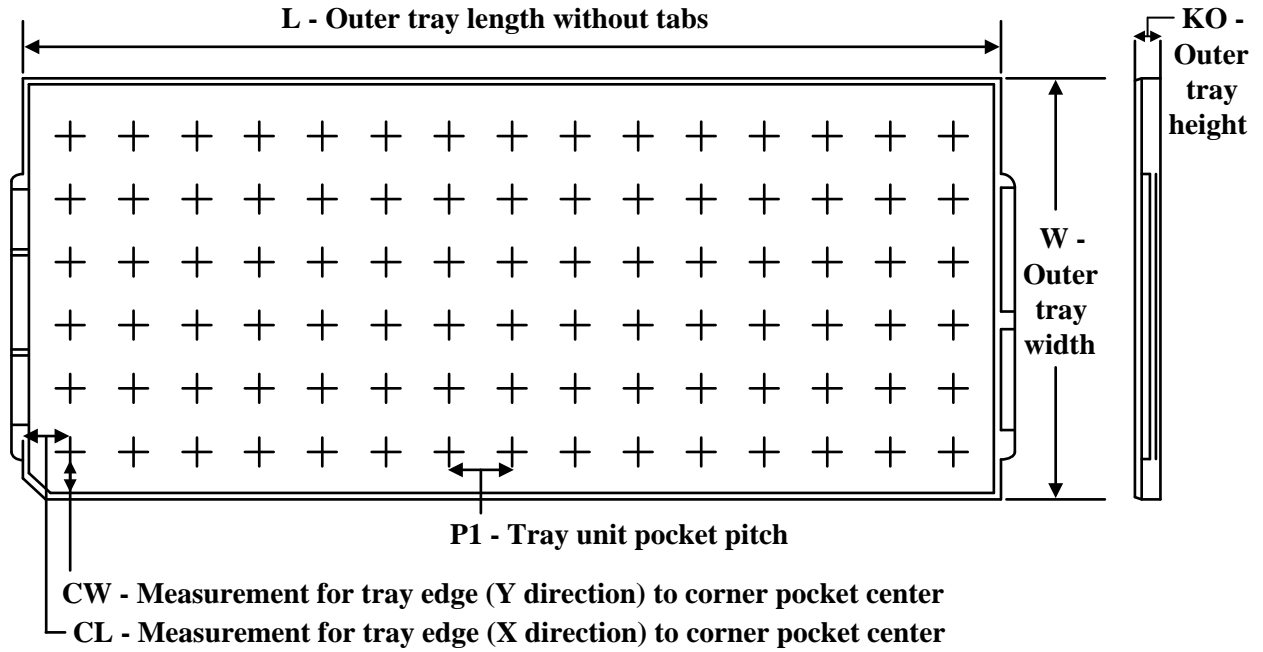
(5) Multiple Device Markings will be inside parentheses. Only one Device Marking contained in parentheses and separated by a "-" will appear on a device. If a line is indented then it is a continuation of the previous line and the two combined represent the entire Device Marking for that device.

(6) Lead finish/Ball material - Orderable Devices may have multiple material finish options. Finish options are separated by a vertical ruled line. Lead finish/Ball material values may wrap to two lines if the finish value exceeds the maximum column width.

Important Information and Disclaimer:The information provided on this page represents TI's knowledge and belief as of the date that it is provided. TI bases its knowledge and belief on information provided by third parties, and makes no representation or warranty as to the accuracy of such information. Efforts are underway to better integrate information from third parties. TI has taken and continues to take reasonable steps to provide representative and accurate information but may not have conducted destructive testing or chemical analysis on incoming materials and chemicals. TI and TI suppliers consider certain information to be proprietary, and thus CAS numbers and other limited information may not be available for release.

In no event shall TI's liability arising out of such information exceed the total purchase price of the TI part(s) at issue in this document sold by TI to Customer on an annual basis.

TRAY



Chamfer on Tray corner indicates Pin 1 orientation of packed units.

*All dimensions are nominal

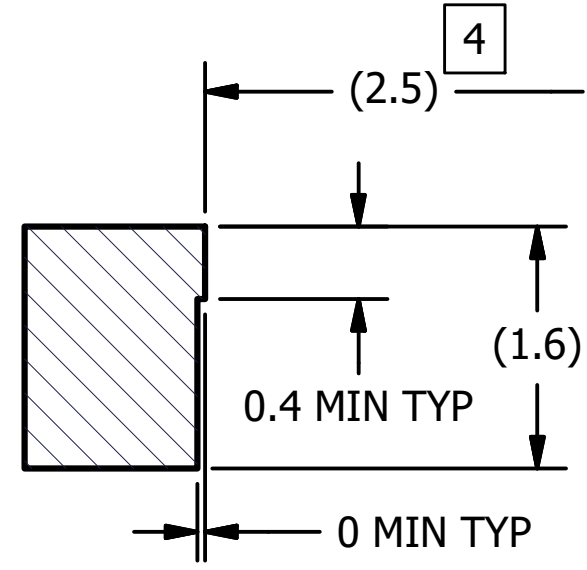
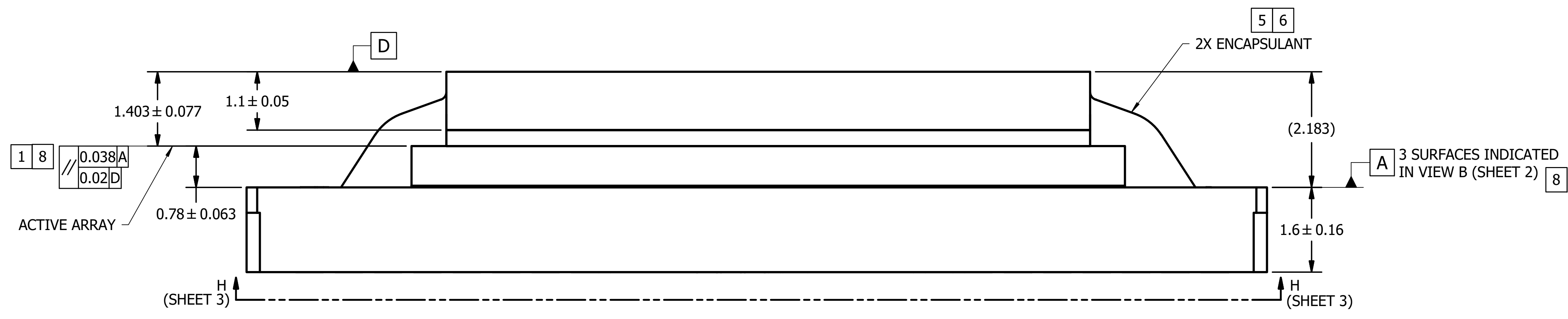
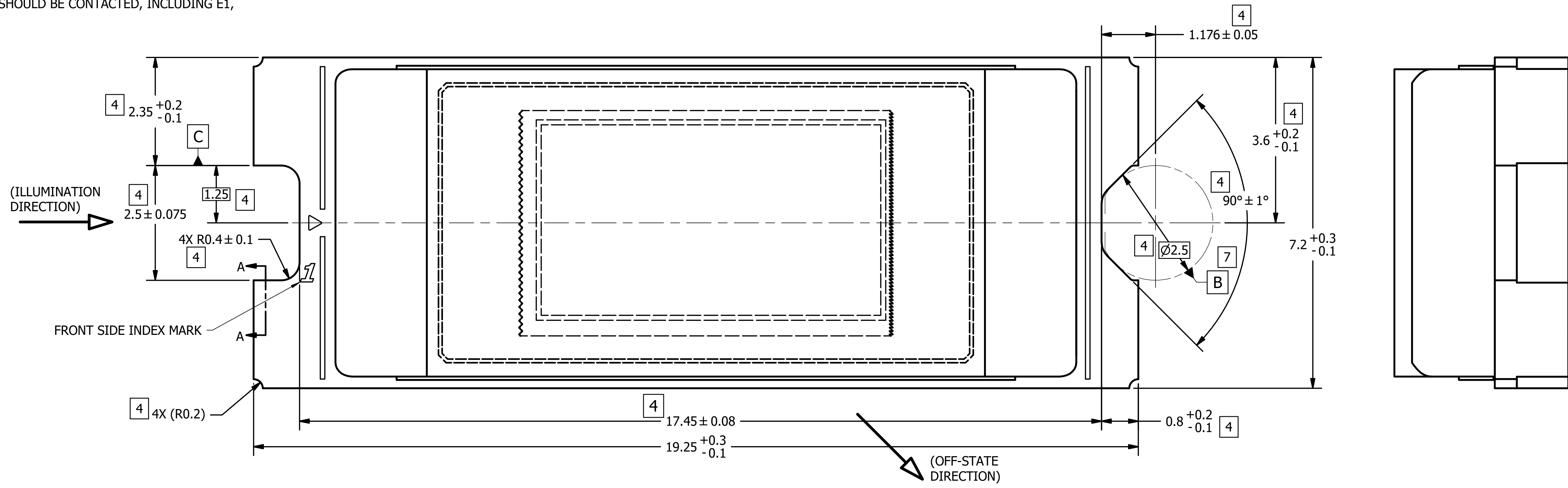
Device	Package Name	Package Type	Pins	SPQ	Unit array matrix	Max temperature (°C)	L (mm)	W (mm)	K0 (µm)	P1 (mm)	CL (mm)	CW (mm)
DLP3310AFQM	FQM	CLGA	92	100	10 x 10	150	315	135.9	12190	28	31.5	16.2

© COPYRIGHT 2016 TEXAS INSTRUMENTS
UN-PUBLISHED. ALL RIGHTS RESERVED.

REVISIONS			
REV	DESCRIPTION	DATE	BY
A	ECO 2156795: INITIAL RELEASE	3/8/2016	BMH
B	ECO 2157307: UPDATE SUBSTRATE THICKNESS TOLERANCE & SYMBOLIZATION PAD SIZE/SHAPE	4/1/2016	BMH
C	ECO 2159285: CORRECT SUBSTRATE BACK SIDE MARKING IN VIEW H-H (SH. 3) FROM "465" TO "888"	7/7/2016	BMH
D	ECO: 2187058: ADD APERTURE SLOTS PICTORIALLY	4/14/2020	PPC

NOTES UNLESS OTHERWISE SPECIFIED:

- 1 DIE PARALLELISM TOLERANCE APPLIES TO DMD ACTIVE ARRAY ONLY.
- 2 ROTATION ANGLE OF DMD ACTIVE ARRAY IS A REFINEMENT OF THE LOCATION TOLERANCE AND HAS A MAXIMUM ALLOWED VALUE OF 0.6 DEGREES.
- 3 BOUNDARY MIRRORS SURROUNDING THE DMD ACTIVE ARRAY.
- 4 NOTCH DIMENSIONS ARE DEFINED BY UPPERMOST LAYERS OF CERAMIC, AS SHOWN IN SECTION A-A.
- 5 ENCAPSULANT TO BE CONTAINED WITHIN DIMENSIONS SHOWN IN VIEW C (SHEET 2). NO ENCAPSULANT IS ALLOWED ON TOP OF THE WINDOW.
- 6 ENCAPSULANT NOT TO EXCEED THE HEIGHT OF THE WINDOW.
- 7 DATUM B IS DEFINED BY A DIA. 2.5 PIN, WITH A FLAT ON THE SIDE FACING TOWARD THE CENTER OF THE ACTIVE ARRAY, AS SHOWN IN VIEW B (SHEET 2).
- 8 WHILE ONLY THE THREE DATUM A TARGET AREAS A1, A2, AND A3 ARE USED FOR MEASUREMENT, ALL 4 CORNERS SHOULD BE CONTACTED, INCLUDING E1, TO SUPPORT MECHANICAL LOADS.



SECTION A-A
(ROTATED 90°)
SCALE 20 : 1

UNLESS OTHERWISE SPECIFIED • DIMENSIONS ARE IN MILLIMETERS • TOLERANCES: ANGLES ± 1° 2 PLACE DECIMALS ± 0.25 1 PLACE DECIMALS ± 0.50 • DIMENSIONAL LIMITS APPLY BEFORE PROCESSING • INTERPRET DIMENSIONS IN ACCORDANCE WITH ASME Y14.5M-1994 • REMOVE ALL BURRS AND SHARP EDGES • PARENTHETICAL INFORMATION FOR REFERENCE ONLY	DRAWN B. HASKETT ENGINEER	DATE 3/8/2016	TITLE ICD, MECHANICAL, DMD, .33 1080p SERIES 315 (FQM PACKAGE)
	QA/CE P. KONRAD	3/8/2016	
	CM S. SUSI	3/10/2016	
	APPROVED M. DORAK E. CARPENTER	3/8/2016 3/10/2016	
THIRD ANGLE PROJECTION	APPLICATION NEXT ASSY USED ON 0314DA	SCALE 20:1	DWG NO. 2512400
SHEET 1 OF 3	REV D	SHEET 1 OF 3	SHEET 1 OF 3

D

D

C

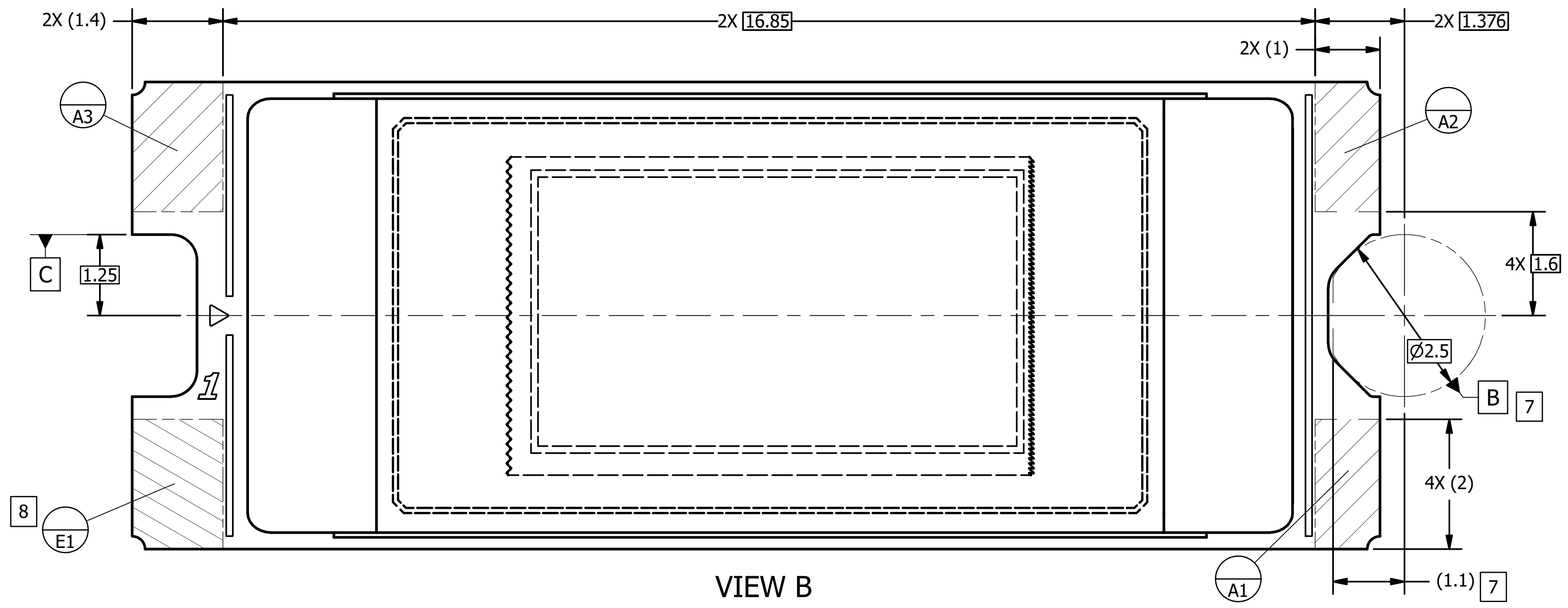
C

B

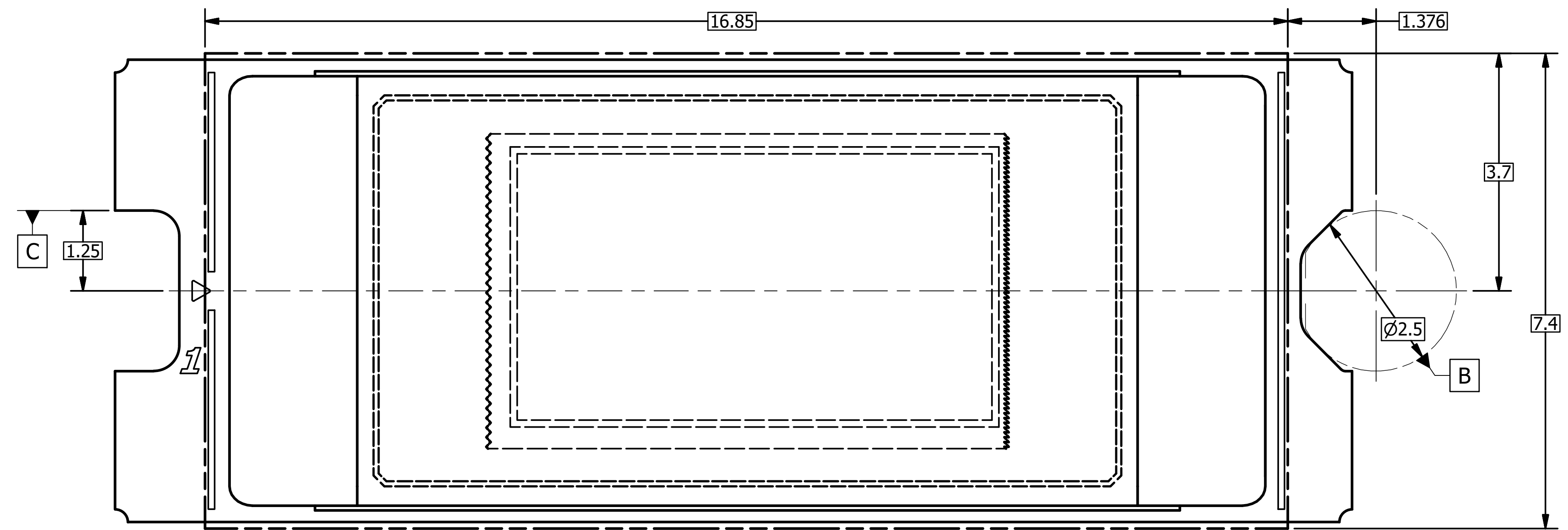
B

A

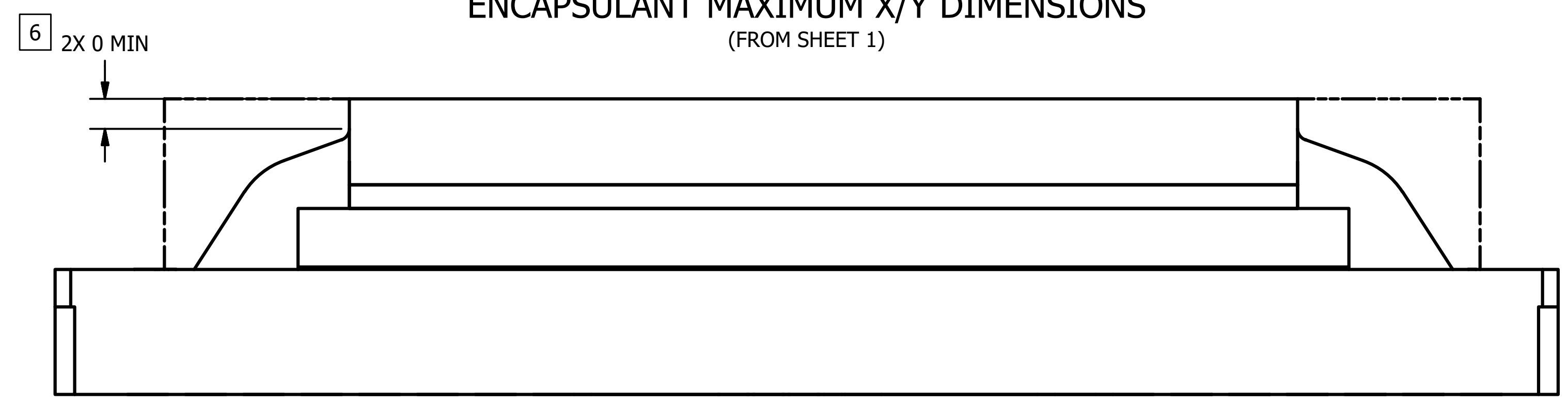
A



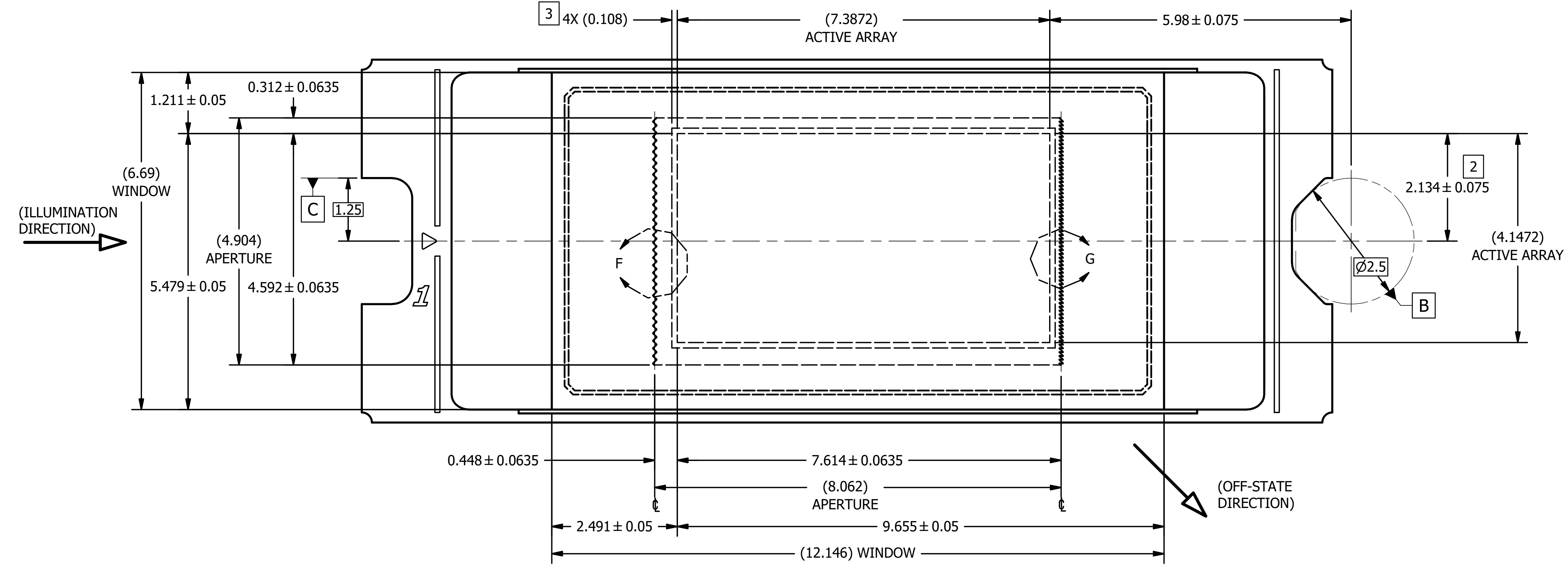
VIEW B
DATUMS A, B, C, AND E
 (FROM SHEET 1)



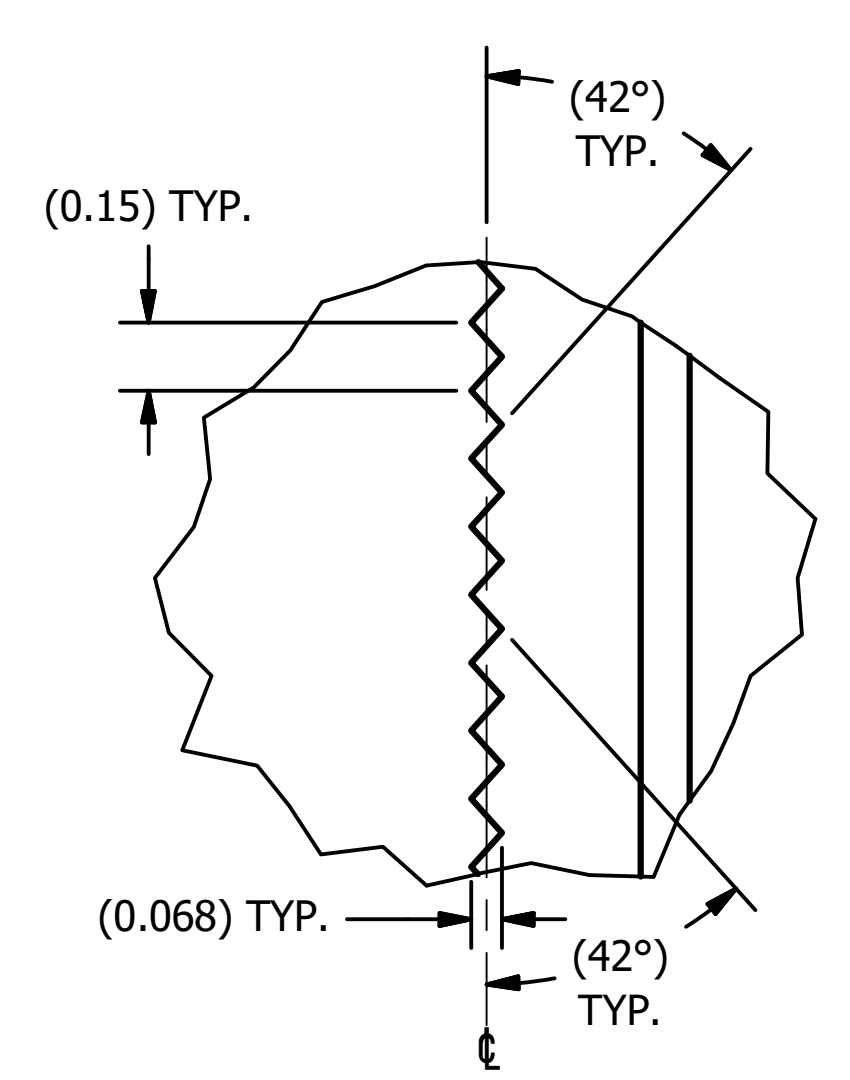
VIEW C [5]
ENCAPSULANT MAXIMUM X/Y DIMENSIONS
 (FROM SHEET 1)



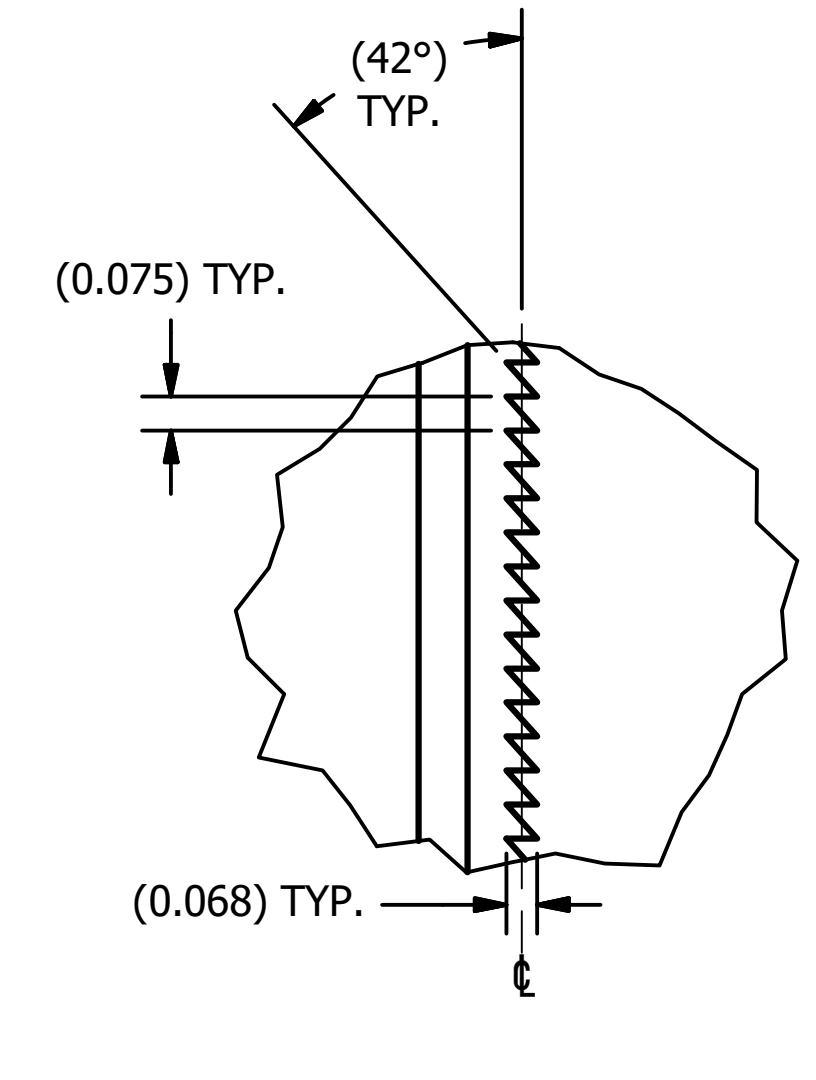
VIEW D
ENCAPSULANT MAXIMUM HEIGHT



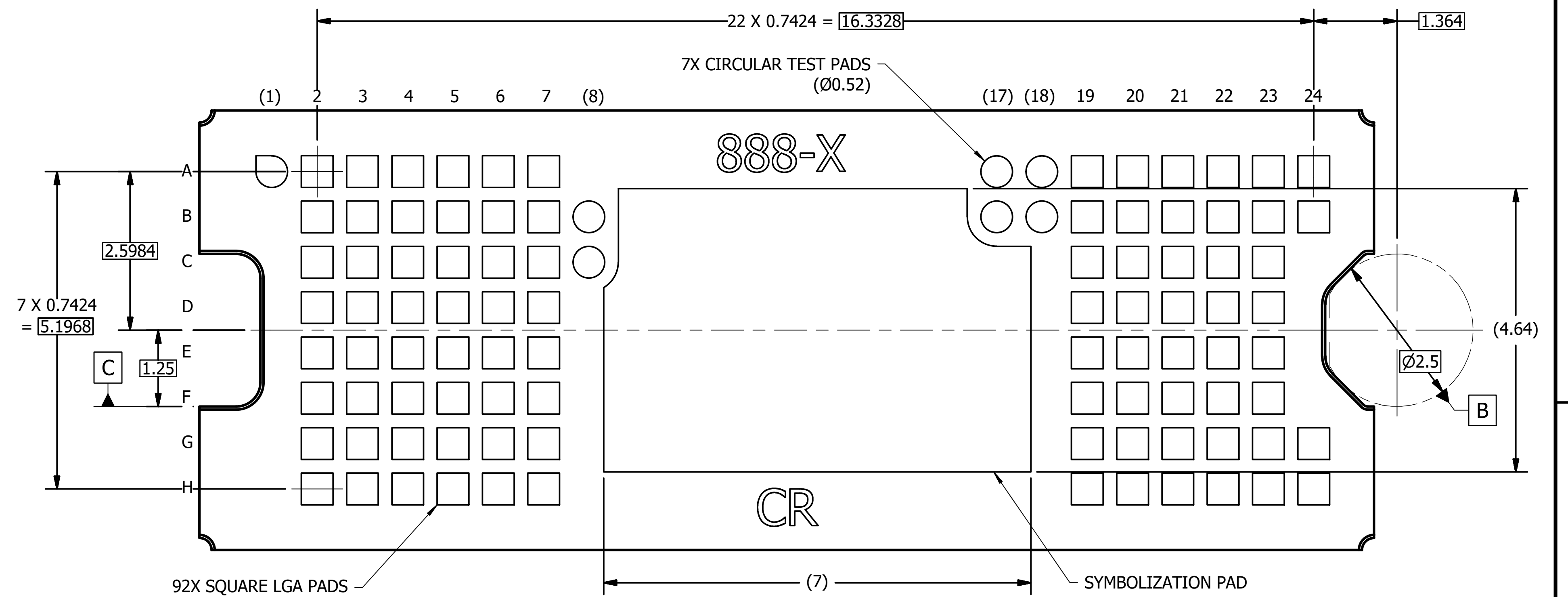
VIEW E
WINDOW AND ACTIVE ARRAY
(FROM SHEET 1)



DETAIL F
APERTURE LEFT EDGE
SCALE 60 : 1



DETAIL G
APERTURE RIGHT EDGE
SCALE 60 : 1



VIEW H-H
BACK SIDE METALLIZATION
(FROM SHEET 1)

重要声明和免责声明

TI“按原样”提供技术和可靠性数据（包括数据表）、设计资源（包括参考设计）、应用或其他设计建议、网络工具、安全信息和其他资源，不保证没有瑕疵且不做任何明示或暗示的担保，包括但不限于对适销性、某特定用途方面的适用性或不侵犯任何第三方知识产权的暗示担保。

这些资源可供使用 TI 产品进行设计的熟练开发人员使用。您将自行承担以下全部责任：(1) 针对您的应用选择合适的 TI 产品，(2) 设计、验证并测试您的应用，(3) 确保您的应用满足相应标准以及任何其他功能安全、信息安全、监管或其他要求。

这些资源如有变更，恕不另行通知。TI 授权您仅可将这些资源用于研发本资源所述的 TI 产品的应用。严禁对这些资源进行其他复制或展示。您无权使用任何其他 TI 知识产权或任何第三方知识产权。您应全额赔偿因在这些资源的使用中对 TI 及其代表造成的任何索赔、损害、成本、损失和债务，TI 对此概不负责。

TI 提供的产品受 [TI 的销售条款](#) 或 [ti.com](#) 上其他适用条款/TI 产品随附的其他适用条款的约束。TI 提供这些资源并不会扩展或以其他方式更改 TI 针对 TI 产品发布的适用的担保或担保免责声明。

TI 反对并拒绝您可能提出的任何其他或不同的条款。

邮寄地址：Texas Instruments, Post Office Box 655303, Dallas, Texas 75265

Copyright © 2023，德州仪器 (TI) 公司