

DLP470NE 0.47 1080P 数字微镜器件

1 特性

- 0.47 英寸对角线微镜阵列
 - 全高清/1080P (1920 × 1080)
 - 5.4 微米微镜间距
 - ±17° 微镜倾斜度 (相对于平坦表面)
 - 底部照明
- 2xLVDS 输入数据总线
- DLP470NE 芯片组包括：
 - [DLP470TE DMD](#)
 - [DLPC4430 控制器](#)
 - [DLPA100 控制器电源管理和电机驱动器 IC](#)

2 应用

- [全高清 \(1080P\) 显示](#)
- [激光电视](#)
- [移动智能电视](#)
- [数字标牌](#)
- [游戏](#)
- [家庭影院](#)

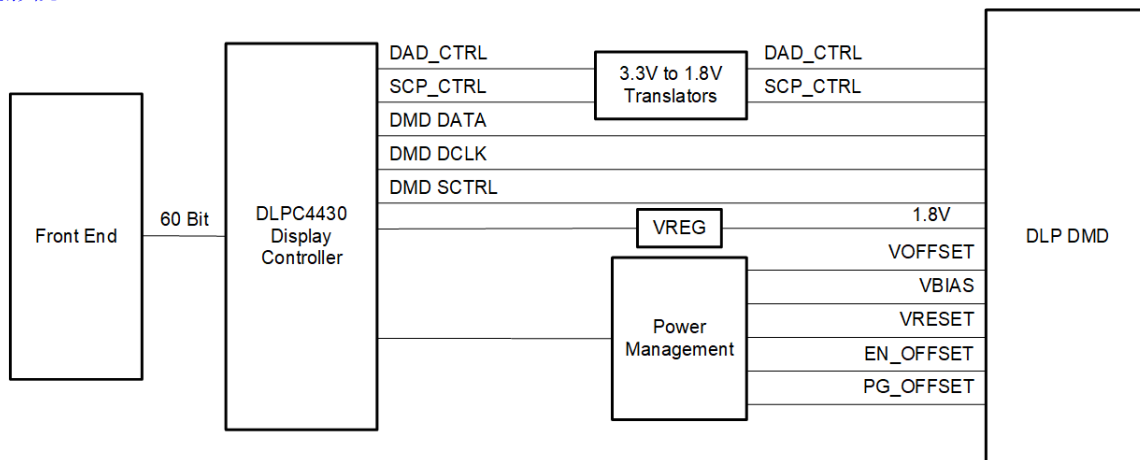
3 说明

TI DLP® DLP470NE [数字微镜器件 \(DMD\)](#) 是一款数控微机电系统 (MEMS) 空间光调制器 (SLM)，可用于实现高亮的全高清显示系统。DLP470NE DMD 的尺寸仅为 0.47 英寸，但能够提供高达 4000 流明的高亮度图像和视频。DLP470NE DMD 通过与 [DLPC4430](#) 显示控制器、[DLPA100](#) 控制器电源和电机驱动器配合使用，可提供实现高性能系统的能力，是需要在更小封装中实现高分辨率及 16:9 纵横比、高亮度和系统简单性的显示应用的理想之选。

器件信息

| 器件型号 | 封装 ⁽¹⁾ | 封装尺寸 (标称值) |
|----------|-------------------|-------------------|
| DLP470NE | FXH (257) | 33.2 mm × 22.3 mm |

(1) 如需了解所有可用封装，请参阅数据表末尾的可订购产品附录。



DLP470NE 简化应用



Table of Contents

| | | | |
|---|----|---|----|
| 1 特性 | 1 | 7.4 Device Functional Modes..... | 24 |
| 2 应用 | 1 | 7.5 Optical Interface and System Image Quality Considerations..... | 24 |
| 3 说明 | 1 | 7.6 Micromirror Array Temperature Calculation..... | 25 |
| 4 Revision History | 2 | 7.7 Micromirror Landed-On/Landed-Off Duty Cycle..... | 26 |
| 5 Pin Configuration and Functions | 4 | 8 Application and Implementation | 29 |
| 6 Specifications | 11 | 8.1 Application Information..... | 29 |
| 6.1 Absolute Maximum Ratings..... | 11 | 8.2 Typical Application..... | 29 |
| 6.2 Storage Conditions..... | 11 | 8.3 DMD Die Temperature Sensing..... | 31 |
| 6.3 ESD Ratings..... | 12 | 9 Power Supply Recommendations | 33 |
| 6.4 Recommended Operating Conditions..... | 12 | 9.1 DMD Power Supply Power-Up Procedure..... | 33 |
| 6.5 Thermal Information..... | 15 | 9.2 DMD Power Supply Power-Down Procedure..... | 33 |
| 6.6 Electrical Characteristics..... | 15 | 10 Layout | 36 |
| 6.7 Capacitance at Recommended Operating Conditions..... | 15 | 10.1 Layout Guidelines..... | 36 |
| 6.8 Timing Requirements..... | 16 | 10.2 Layout Example..... | 36 |
| 6.9 System Mounting Interface Loads..... | 19 | 11 Device and Documentation Support | 38 |
| 6.10 Micromirror Array Physical Characteristics..... | 19 | 11.1 第三方产品免责声明..... | 38 |
| 6.11 Micromirror Array Optical Characteristics..... | 21 | 11.2 Device Support..... | 38 |
| 6.12 Window Characteristics..... | 22 | 11.3 Documentation Support..... | 38 |
| 6.13 Chipset Component Usage Specification..... | 22 | 11.4 Receiving Notification of Documentation Updates.. | 39 |
| 7 Detailed Description | 22 | 11.5 支持资源..... | 39 |
| 7.1 Overview..... | 22 | 11.6 Trademarks..... | 39 |
| 7.2 Functional Block Diagram..... | 23 | 11.7 静电放电警告..... | 39 |
| 7.3 Feature Description..... | 24 | 11.8 术语表..... | 39 |

4 Revision History

注：以前版本的页码可能与当前版本的页码不同

| Changes from Revision B (June 2022) to Revision C (February 2023) | Page |
|---|-------------|
| • 将控制器更新为 DLPC4430，将芯片组元件链接到产品页面..... | 1 |
| • 将控制器名称更改为 DLPC4430..... | 1 |
| • Added the lamp illumination section to the table..... | 12 |
| • Added the DMD efficiency specification..... | 21 |
| • Changed controller name to DLPC4430..... | 22 |
| • Changed controller name to DLPC4430..... | 24 |
| • Added a table with legacy device information, added the mechanical ICD..... | 29 |
| • Changed controller name to DLPC4430..... | 29 |
| • Changed controller name to DLPC4430..... | 30 |
| • Changed controller name to DLPC4430..... | 30 |
| • Changed controller name to DLPC4430..... | 31 |
| • Changed controller name to DLPC4430..... | 36 |
| • Changed controller name to DLPC4430, updated the links..... | 38 |

| Changes from Revision A (November 2019) to Revision B (June 2022) | Page |
|--|-------------|
| • 根据最新的德州仪器 (TI) 和行业数据表标准对本文档进行了更新将控制器更新为 DLPC4430，将芯片组元件链接到产品页面..... | 1 |
| • Updated SCP Timing Requirements to 'Rise/Fall Time'..... | 16 |
| • Corrected 图 6-3 | 16 |

Changes from Revision * (April 2019) to Revision A (November 2019)

Page

- 更改了器件信息表中“封装尺寸(标称值)”项下的值..... **1**
-

5 Pin Configuration and Functions

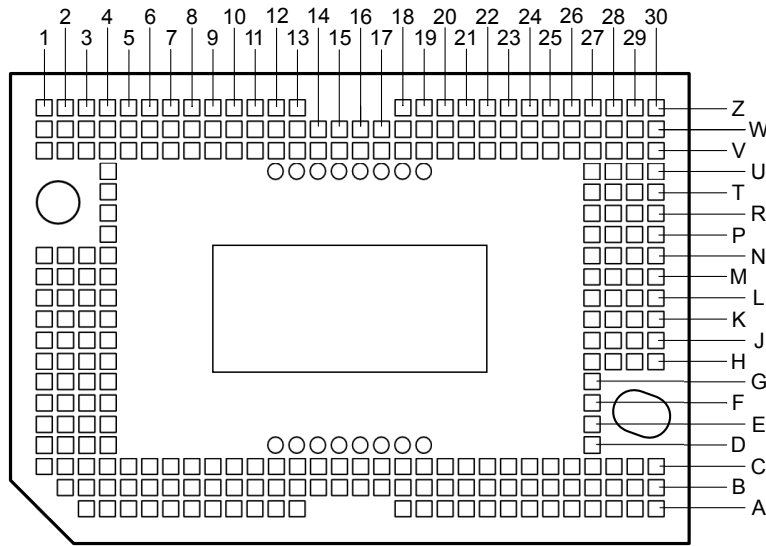


图 5-1. Series 410 257-pin FXH Bottom View

CAUTION

To ensure reliable, long-term operation of the .47-inch 1080P s410 DMD, it is critical to properly manage the layout and operation of the signals identified in the table below. For specific details and guidelines, refer to the [PCB Design Requirements for TI DLP Standard TRP Digital Micromirror Devices](#) application report before designing the board.

Pin Functions

| PIN | | I/O ⁽³⁾ | SIGNAL | DATA RATE | INTERNAL TERMINATION | DESCRIPTION | TRACE LENGTH (mil) |
|----------|-----|--------------------|--------|-----------|----------------------|-------------|--------------------|
| NAME | NO. | | | | | | |
| D_AN(0) | C6 | NC | LVDS | DDR | Differential | No connect | 805.0 |
| D_AN(1) | C3 | | | | | | |
| D_AN(2) | E1 | | | | | | |
| D_AN(3) | C4 | | | | | | |
| D_AN(4) | D1 | | | | | | |
| D_AN(5) | B8 | | | | | | |
| D_AN(6) | F4 | | | | | | |
| D_AN(7) | E3 | | | | | | |
| D_AN(8) | C11 | | | | | | |
| D_AN(9) | F3 | | | | | | |
| D_AN(10) | K4 | | | | | | |
| D_AN(11) | H3 | | | | | | |
| D_AN(12) | J3 | | | | | | |
| D_AN(13) | C13 | | | | | | |
| D_AN(14) | A5 | | | | | | |
| D_AN(15) | A3 | | | | | | |

Pin Functions (continued)

| PIN | | I/O ⁽³⁾ | SIGNAL | DATA RATE | INTERNAL TERMINATION | DESCRIPTION | TRACE LENGTH (mil) |
|----------|-----|--------------------|--------|-----------|----------------------|-------------|--------------------|
| NAME | NO. | | | | | | |
| D_AP(0) | C7 | NC | LVDS | DDR | Differential | No connect | 805.0 |
| D_AP(1) | C2 | | | | | | |
| D_AP(2) | E2 | | | | | | |
| D_AP(3) | B4 | | | | | | |
| D_AP(4) | C1 | | | | | | |
| D_AP(5) | B7 | | | | | | |
| D_AP(6) | E4 | | | | | | |
| D_AP(7) | D3 | | | | | | |
| D_AP(8) | C12 | | | | | | |
| D_AP(9) | F2 | | | | | | |
| D_AP(10) | J4 | | | | | | |
| D_AP(11) | G3 | | | | | | |
| D_AP(12) | J2 | | | | | | |
| D_AP(13) | C14 | | | | | | |
| D_AP(14) | A6 | | | | | | |
| D_AP(15) | A4 | | | | | | |
| D_BN(0) | N4 | NC | LVDS | DDR | Differential | No connect | 805.0 |
| D_BN(1) | Z11 | | | | | | |
| D_BN(2) | W4 | | | | | | |
| D_BN(3) | W10 | | | | | | |
| D_BN(4) | L1 | | | | | | |
| D_BN(5) | V8 | | | | | | |
| D_BN(6) | W6 | | | | | | |
| D_BN(7) | M1 | | | | | | |
| D_BN(8) | R4 | | | | | | |
| D_BN(9) | W1 | | | | | | |
| D_BN(10) | U4 | | | | | | |
| D_BN(11) | V2 | | | | | | |
| D_BN(12) | Z5 | | | | | | |
| D_BN(13) | N3 | | | | | | |
| D_BN(14) | Z2 | | | | | | |
| D_BN(15) | L4 | | | | | | |

Pin Functions (continued)

| PIN | | I/O ⁽³⁾ | SIGNAL | DATA RATE | INTERNAL TERMINATION | DESCRIPTION | TRACE LENGTH (mil) |
|----------|-----|--------------------|--------|-----------|----------------------|---------------|--------------------|
| NAME | NO. | | | | | | |
| D_BP(0) | M4 | NC | LVDS | DDR | Differential | No connect | 805.0 |
| D_BP(1) | Z12 | | | | | | |
| D_BP(2) | Z4 | | | | | | |
| D_BP(3) | Z10 | | | | | | |
| D_BP(4) | L2 | | | | | | |
| D_BP(5) | V9 | | | | | | |
| D_BP(6) | W7 | | | | | | |
| D_BP(7) | N1 | | | | | | |
| D_BP(8) | P4 | | | | | | |
| D_BP(9) | V1 | | | | | | |
| D_BP(10) | T4 | | | | | | |
| D_BP(11) | V3 | | | | | | |
| D_BP(12) | Z6 | | | | | | |
| D_BP(13) | N2 | | | | | | |
| D_BP(14) | Z3 | | | | | | |
| D_BP(15) | L3 | | | | | | |
| D_CN(0) | H27 | I | LVDS | DDR | Differential | Data negative | 805.0 |
| D_CN(1) | A20 | | | | | | |
| D_CN(2) | H28 | | | | | | |
| D_CN(3) | K28 | | | | | | |
| D_CN(4) | K30 | | | | | | |
| D_CN(5) | C23 | | | | | | |
| D_CN(6) | G27 | | | | | | |
| D_CN(7) | J30 | | | | | | |
| D_CN(8) | B24 | | | | | | |
| D_CN(9) | A21 | | | | | | |
| D_CN(10) | A27 | | | | | | |
| D_CN(11) | C29 | | | | | | |
| D_CN(12) | A26 | | | | | | |
| D_CN(13) | C25 | | | | | | |
| D_CN(14) | A29 | | | | | | |
| D_CN(15) | C30 | | | | | | |

Pin Functions (continued)

| PIN | | I/O ⁽³⁾ | SIGNAL | DATA RATE | INTERNAL TERMINATION | DESCRIPTION | TRACE LENGTH (mil) |
|----------|-----|--------------------|--------|-----------|----------------------|---------------|--------------------|
| NAME | NO. | | | | | | |
| D_CP(0) | J27 | I | LVDS | DDR | Differential | Data positive | 805.0 |
| D_CP(1) | A19 | | | | | | |
| D_CP(2) | H29 | | | | | | |
| D_CP(3) | K27 | | | | | | |
| D_CP(4) | K29 | | | | | | |
| D_CP(5) | C22 | | | | | | |
| D_CP(6) | F27 | | | | | | |
| D_CP(7) | H30 | | | | | | |
| D_CP(8) | B25 | | | | | | |
| D_CP(9) | B21 | | | | | | |
| D_CP(10) | B27 | | | | | | |
| D_CP(11) | C28 | | | | | | |
| D_CP(12) | A25 | | | | | | |
| D_CP(13) | C24 | | | | | | |
| D_CP(14) | A28 | | | | | | |
| D_CP(15) | B30 | | | | | | |
| D_DN(0) | V25 | I | LVDS | DDR | Differential | Data negative | 805.0 |
| D_DN(1) | V28 | | | | | | |
| D_DN(2) | T30 | | | | | | |
| D_DN(3) | V27 | | | | | | |
| D_DN(4) | U30 | | | | | | |
| D_DN(5) | W23 | | | | | | |
| D_DN(6) | R27 | | | | | | |
| D_DN(7) | T28 | | | | | | |
| D_DN(8) | V20 | | | | | | |
| D_DN(9) | R28 | | | | | | |
| D_DN(10) | L27 | | | | | | |
| D_DN(11) | N28 | | | | | | |
| D_DN(12) | M28 | | | | | | |
| D_DN(13) | V18 | | | | | | |
| D_DN(14) | Z26 | | | | | | |
| D_DN(15) | Z28 | | | | | | |

Pin Functions (continued)

| PIN | | I/O ⁽³⁾ | SIGNAL | DATA RATE | INTERNAL TERMINATION | DESCRIPTION | TRACE LENGTH (mil) |
|---------------|-----|--------------------|---------|-----------|----------------------|--|--------------------|
| NAME | NO. | | | | | | |
| D_DP(0) | V24 | I | LVDS | DDR | Differential | Data positive | 805.0 |
| D_DP(1) | V29 | | | | | | |
| D_DP(2) | T29 | | | | | | |
| D_DP(3) | W27 | | | | | | |
| D_DP(4) | V30 | | | | | | |
| D_DP(5) | W24 | | | | | | |
| D_DP(6) | T27 | | | | | | |
| D_DP(7) | U28 | | | | | | |
| D_DP(8) | V19 | | | | | | |
| D_DP(9) | R29 | | | | | | |
| D_DP(10) | M27 | | | | | | |
| D_DP(11) | P28 | | | | | | |
| D_DP(12) | M29 | | | | | | |
| D_DP(13) | V17 | | | | | | |
| D_DP(14) | Z25 | | | | | | |
| D_DP(15) | Z27 | | | | | | |
| SCTRL_AN | G1 | NC | LVDS | DDR | Differential | No connect | 805.0 |
| SCTRL_AP | F1 | | | | | | |
| SCTRL_BN | V5 | | | | | | |
| SCTRL_BP | V4 | | | | | | |
| SCTRL_CN | C26 | I | LVDS | DDR | Differential | Serial control negative | 805.0 |
| SCTRL_CP | C27 | I | LVDS | DDR | Differential | Serial control positive | 805.0 |
| SCTRL_DN | P30 | I | LVDS | DDR | Differential | Serial control negative | 805.0 |
| SCTRL_DP | R30 | I | LVDS | DDR | Differential | Serial control positive | 805.0 |
| DCLK_AN | H2 | NC | LVDS | | Differential | No connect | 805.0 |
| DCLK_AP | H1 | | | | | | |
| DCLK_BN | V6 | | | | | | |
| DCLK_BP | V7 | | | | | | |
| DCLK_CN | D27 | I | LVDS | | Differential | Clock negative | 805.0 |
| DCLK_CP | E27 | I | LVDS | | Differential | Clock positive | 805.0 |
| DCLK_DN | N29 | I | LVDS | | Differential | Clock negative | 805.0 |
| DCLK_DP | N30 | I | LVDS | | Differential | Clock positive | 805.0 |
| SCPCLK | A10 | I | LVC MOS | | Pull down | Serial communications port clock. Active only when SCPENZ is logic low | |
| SCPDI | A12 | I | LVC MOS | SDR | Pull down | Serial communications port data input. Synchronous to SCPCLK rising edge | |
| SCPENZ | C10 | I | LVC MOS | | Pull down | Serial communications port enable active low | |
| SCPDO | A11 | O | LVC MOS | SDR | | Serial communications port output | |
| RESET_ADDR(0) | Z13 | I | LVC MOS | | Pull down | Reset driver address select | |
| RESET_ADDR(1) | W13 | | | | | | |
| RESET_ADDR(2) | V10 | | | | | | |
| RESET_ADDR(3) | W14 | | | | | | |

Pin Functions (continued)

| PIN | | I/O ⁽³⁾ | SIGNAL | DATA RATE | INTERNAL TERMINATION | DESCRIPTION | TRACE LENGTH (mil) |
|------------------------|--|--------------------|--------|-----------|----------------------|--|--------------------|
| NAME | NO. | | | | | | |
| RESET_MODE(0) | W9 | I | LVCMOS | | Pull down | Reset driver mode select | |
| RESET_SEL(0) | V14 | | | | | Reset driver level select | |
| RESET_SEL(1) | Z8 | | | | | Reset driver level select | |
| RESET_STROBE | Z9 | I | LVCMOS | | Pull down | Rising edge latches in RESET_ADDR, RESET_MODE, and RESET_SEL | |
| PWRDNZ | A8 | I | LVCMOS | | Pull down | Active low device reset | |
| RESET_OEZ | W15 | I | LVCMOS | | Pull up | Active low output enable for internal reset driver circuits | |
| RESET_IRQZ | V16 | O | LVCMOS | | | Active low output interrupt to DLP display controller | |
| EN_OFFSET | C9 | O | LVCMOS | | | Active high enable for external VOFFSET regulator | |
| PG_OFFSET | A9 | I | LVCMOS | | Pull up | Active low fault from external VOFFSET regulator | |
| TEMP_N | B18 | | Analog | | | Temperature sensor diode cathode | |
| TEMP_P | B17 | | Analog | | | Temperature sensor diode anode | |
| RESERVED | D12, D13, D14, D15, D16, D17, D18, D19, U12, U13, U14, U15 | NC | Analog | | Pull Down | Do not connect on DLP system board. No connect. No electrical connections from CMOS bond pad to package pin | |
| No Connect | U16, U17, U18, U19 | NC | | | | No connect. No electrical connection from CMOS bond pad to package pin | |
| RESERVED_BA | W11 | O | LVCMOS | | | Do not connect on DLP system board. | |
| RESERVED_BB | B11 | | | | | | |
| RESERVED_BC | Z20 | | | | | | |
| RESERVED_BD | C18 | | | | | | |
| RESERVED_PFE | A18 | I | LVCMOS | | Pull down | Connect to ground on DLP system board. | |
| RESERVED_TM | C8 | | | | | | |
| RESERVED_TP0 | Z19 | I | Analog | | | Do not connect on DLP system board. | |
| RESERVED_TP1 | W20 | | | | | | |
| RESERVED_TP2 | W19 | | | | | | |
| VBIAS ⁽¹⁾ | C15, C16, V11, V12 | P | Analog | | | Supply voltage for positive bias level of micromirror reset signal | |
| VRESET ⁽¹⁾ | G4, H4, J1, K1 | P | Analog | | | Supply voltage for negative reset level of micromirror reset signal | |
| VOFFSET ⁽¹⁾ | A30, B2, M30, Z1, Z30 | P | Analog | | | Supply voltage for HVCMOS logic. Supply voltage for positive offset level of micromirror reset signal. Supply voltage for stepped high voltage at micromirror address electrodes | |

Pin Functions (continued)

| PIN | | I/O ⁽³⁾ | SIGNAL | DATA RATE | INTERNAL TERMINATION | DESCRIPTION | TRACE LENGTH (mil) |
|--------------------|---|--------------------|--------|-----------|----------------------|--|--------------------|
| NAME | NO. | | | | | | |
| VCC ⁽¹⁾ | A24, A7, B10, B13, B16, B19, B22, B28, B5, C17, C20, D4, J29, K2, L29, M2, N27, U27, V13, V15, V22, W17, W21, W26, W29, W3, Z18, Z23, Z29, Z7 | P | Analog | | | Supply voltage for LVCMOS core. Supply voltage for positive offset level of micromirror reset signal during Power down. Supply voltage for normal high level at micromirror address electrodes | |
| VSS ⁽²⁾ | A13, A22, A23, B12, B14, B15, B20, B23, B26, B29, B3, B6, B9, C19, C21, C5, D2, G2, J28, K3, L28, L30, M3, P27, P29, U29, V21, V23, V26, W12, W16, W18, W2, W22, W25, W28, W30, W5, W8, Z21, Z22, Z24 | G | | | | Device ground. Common return for all power | |

(1) V_{BIAS}, V_{CC}, V_{OFFSET}, and V_{RESET} power supplies must be connected for proper DMD operation.

(2) V_{SS} must be connected for proper DMD operation.

(3) I = Input, O = Output, P = Power, G = Ground, NC = No connect

6 Specifications

6.1 Absolute Maximum Ratings

Operation outside the Absolute Maximum Ratings may cause permanent device damage. Absolute Maximum Ratings do not imply functional operation of the device at these or any other conditions beyond those listed under Recommended Operating Conditions. If outside the Recommended Operating Conditions but within the Absolute Maximum Ratings, the device may not be fully functional, and this may affect device reliability, functionality, performance, and shorten the device lifetime.

| | | MIN | MAX | UNIT |
|---|---|-------|-----------------------|------|
| SUPPLY VOLTAGES | | | | |
| V _{CC} | Supply voltage for LVC MOS core logic ⁽¹⁾ | - 0.5 | 2.3 | V |
| V _{OFFSET} | Supply voltage for HVC MOS and micromirror electrode ^{(1) (2)} | - 0.5 | 11 | V |
| V _{BIAS} | Supply voltage for micromirror electrode ⁽¹⁾ | - 0.5 | 19 | V |
| V _{RESET} | Supply voltage for micromirror electrode ⁽¹⁾ | - 15 | - 0.3 | V |
| V _{BIAS} - V _{OFFSET} | Supply voltage difference (absolute value) ⁽³⁾ | | 11 | V |
| V _{BIAS} - V _{RESET} | Supply voltage difference (absolute value) ⁽⁴⁾ | | 34 | V |
| INPUT VOLTAGES | | | | |
| | Input voltage for all other LVC MOS input pins ⁽¹⁾ | - 0.5 | V _{CC} + 0.5 | V |
| V _{ID} | Input differential voltage (absolute value) ⁽⁵⁾ | | 500 | mV |
| I _{ID} | Input differential current ⁽⁶⁾ | | 6.3 | mA |
| Clocks | | | | |
| f _{CLOCK} | Clock frequency for LVDS interface, DCLK_C | | 400 | MHz |
| f _{CLOCK} | Clock frequency for LVDS interface, DCLK_D | | 400 | MHz |
| ENVIRONMENTAL | | | | |
| T _{ARRAY} and T _{WINDOW} | Temperature, operating ⁽⁷⁾ | 0 | 90 | °C |
| | Temperature, non - operating ⁽⁷⁾ | - 40 | 90 | °C |
| T _{DELTA} | Absolute temperature delta between any point on the window edge and the ceramic test point TP1 ⁽⁸⁾ | | 30 | °C |
| T _{DP} | Dew point temperature, operating and non - operating (noncondensing) | | 81 | °C |

- (1) All voltages are referenced to common ground V_{SS}. V_{BIAS}, V_{CC}, V_{OFFSET}, and V_{RESET} power supplies are all required for proper DMD operation. V_{SS} must also be connected.
- (2) V_{OFFSET} supply transients must fall within specified voltages.
- (3) Exceeding the recommended allowable voltage difference between V_{BIAS} and V_{OFFSET} may result in excessive current draw.
- (4) Exceeding the recommended allowable voltage difference between V_{BIAS} and V_{RESET} may result in excessive current draw.
- (5) This maximum LVDS input voltage rating applies when each input of a differential pair is at the same voltage potential.
- (6) LVDS differential inputs must not exceed the specified limit or damage may result to the internal termination resistors.
- (7) The highest temperature of the active array (as calculated using [Micromirror Array Temperature Calculation](#)) or of any point along the window edge as defined in [Figure 7-2](#). The locations of thermal test points TP2, TP3, TP4 and TP5 in [Figure 7-2](#) are intended to measure the highest window edge temperature. If a particular application causes another point on the window edge to be at a higher temperature, use that point.
- (8) Temperature delta is the highest difference between the ceramic test point 1 (TP1) and anywhere on the window edge as shown in [Figure 7-2](#). The window test points TP2, TP3, TP4 and TP5 shown in [Figure 7-2](#) are intended to result in the worst case delta. If a particular application causes another point on the window edge to result in a larger delta temperature, use that point.

6.2 Storage Conditions

Applicable for the DMD as a component or non-operating in a system.

| | | MIN | MAX | UNIT |
|---------------------|---|------|-----|--------|
| T _{DMD} | DMD storage temperature | - 40 | 80 | °C |
| T _{DP-AVG} | Average dew point temperature, (non-condensing) ⁽¹⁾ | | 28 | °C |
| T _{DP-ELR} | Elevated dew point temperature range, (non-condensing) ⁽²⁾ | 28 | 36 | °C |
| CT _{ELR} | Cumulative time in elevated dew point temperature range | | 24 | Months |

- (1) The average over time (including storage and operating) that the device is not in the elevated dew point temperature range.

- (2) Limit the exposure to dew point temperatures in the elevated range during storage and operation to less than a total cumulative time of CT_{ELR} .

6.3 ESD Ratings

| | | VALUE | UNIT |
|-------------------------------------|--|-------|------|
| $V_{(ESD)}$ Electrostatic discharge | Human-body model (HBM), per ANSI/ESDA/JEDEC JS-001 ⁽¹⁾ | ±2000 | V |
| | Charged device model (CDM), per JEDEC specification JESD22-C101 ⁽²⁾ | ±500 | |

(1) JEDEC document JEP155 states that 500-V HBM allows safe manufacturing with a standard ESD control process.

(2) JEDEC document JEP157 states that 250-V CDM allows safe manufacturing with a standard ESD control process.

6.4 Recommended Operating Conditions

Over operating free-air temperature range (unless otherwise noted). The functional performance of the device specified in this data sheet is achieved when operating the device within the limits defined by this table. No level of performance is implied when operating the device above or below these limits.

| | | MIN | NOM | MAX | UNIT |
|---------------------------|---|---------------------|------|---------------------|------|
| VOLTAGE SUPPLY | | | | | |
| V_{CC} | LVC MOS logic supply voltage ⁽¹⁾ | 1.65 | 1.8 | 1.95 | V |
| V_{OFFSET} | Mirror electrode and HVC MOS voltage ^{(1) (2)} | 9.5 | 10 | 10.5 | V |
| V_{BIAS} | Mirror electrode voltage ⁽¹⁾ | 17.5 | 18 | 18.5 | V |
| V_{RESET} | Mirror electrode voltage ⁽¹⁾ | - 14.5 | - 14 | - 13.5 | V |
| $ V_{BIAS} - V_{OFFSET} $ | Supply voltage difference (absolute value) ⁽³⁾ | | | 10.5 | V |
| $ V_{BIAS} - V_{RESET} $ | Supply voltage difference (absolute value) ⁽⁴⁾ | | | 33 | V |
| LVC MOS INTERFACE | | | | | |
| $V_{IH(DC)}$ | DC input high voltage ⁽⁵⁾ | $0.7 \times V_{CC}$ | | $V_{CC} + 0.3$ | V |
| $V_{IL(DC)}$ | DC input low voltage ⁽⁵⁾ | - 0.3 | | $0.3 \times V_{CC}$ | V |
| $V_{IH(AC)}$ | AC input high voltage ⁽⁵⁾ | $0.8 \times V_{CC}$ | | $V_{CC} + 0.3$ | V |
| $V_{IL(AC)}$ | AC input low voltage ⁽⁵⁾ | - 0.3 | | $0.2 \times V_{CC}$ | V |
| t_{PWRDZ} | PWRDZ pulse duration ⁽⁶⁾ | 10 | | | ns |
| SCP INTERFACE | | | | | |
| f_{SCPCLK} | SCP clock frequency ⁽⁷⁾ | | | 500 | kHz |
| t_{SCP_PD} | Propagation delay, Clock to Q, from rising - edge of SCPCLK to valid SCPDO ⁽⁸⁾ | 0 | | 900 | ns |
| $t_{SCP_NEG_ENZ}$ | Time between falling-edge of SCPENZ and the first rising- edge of SCPCLK | 1 | | | µs |
| $t_{SCP_POS_ENZ}$ | Time between falling-edge of SCPCLK and the rising-edge of SCPENZ | 1 | | | µs |
| t_{SCP_DS} | SCPDI Clock setup time (before SCPCLK falling edge) ⁽⁸⁾ | 800 | | | ns |
| t_{SCP_DH} | SCPDI Hold time (after SCPCLK falling edge) ⁽⁸⁾ | 900 | | | ns |
| $t_{SCP_PW_ENZ}$ | SCPENZ inactive pulse duration (high level) | 2 | | | µs |

6.4 Recommended Operating Conditions (continued)

Over operating free-air temperature range (unless otherwise noted). The functional performance of the device specified in this data sheet is achieved when operating the device within the limits defined by this table. No level of performance is implied when operating the device above or below these limits.

| | | MIN | NOM | MAX | UNIT |
|------------------------------------|---|------|-------------------|--------------------------|--------------------|
| LVDS INTERFACE | | | | | |
| f_{CLOCK} | Clock frequency for LVDS interface (all channels), DCLK ⁽⁹⁾ | | | 400 | MHz |
| $ V_{\text{ID}} $ | Input differential voltage (absolute value) ⁽¹⁰⁾ | 150 | 300 | 440 | mV |
| V_{CM} | Common mode voltage ⁽¹⁰⁾ | 1100 | 1200 | 1300 | mV |
| V_{LVDS} | LVDS voltage ⁽¹⁰⁾ | 880 | | 1520 | mV |
| $t_{\text{LVDS_RSTZ}}$ | Time required for LVDS receivers to recover from PWRDNZ | | | 2000 | ns |
| Z_{IN} | Internal differential termination resistance | 80 | 100 | 120 | Ω |
| Z_{LINE} | Line differential impedance (PWB/trace) | 90 | 100 | 110 | Ω |
| ENVIRONMENTAL | | | | | |
| T_{ARRAY} | Array temperature, long - term operational ^{(11) (12) (14)} | 10 | | 40 to 70 ⁽¹³⁾ | $^{\circ}\text{C}$ |
| | Array temperature, short - term operational ^{(12) (15)} | 0 | | 10 | $^{\circ}\text{C}$ |
| T_{WINDOW} | Window temperature - operational ^{(19) (21)} | | | 85 | $^{\circ}\text{C}$ |
| $ T_{\text{DELTA}} $ | Absolute temperature delta between any point on the window edge and the ceramic test point TP1 ^{(16) (17)} | | | 14 | $^{\circ}\text{C}$ |
| $T_{\text{DP_AVG}}$ | Average dew point temperature (non - condensing) ⁽¹⁸⁾ | | | 28 | $^{\circ}\text{C}$ |
| $T_{\text{DP_ELR}}$ | Elevated dew point temperature range (non-condensing) ⁽²⁰⁾ | 28 | | 36 | $^{\circ}\text{C}$ |
| CT_{ELR} | Cumulative time in elevated dew point temperature range | | | 24 | Months |
| ILLUMINATION (Lamp) | | | | | |
| L | Operating system luminance ⁽¹⁷⁾ | | | 4000 | lm |
| ILL _{UV} | Illumination wavelengths < 395 nm ⁽¹¹⁾ | | 0.68 | 2.00 | mW/cm ² |
| ILL _{VIS} | Illumination wavelengths between 395 nm and 800 nm | | Thermally limited | | mW/cm ² |
| ILL _{IR} | Illumination wavelengths > 800 nm | | | 10 | mW/cm ² |
| ILL _{θ} | Illumination marginal ray angle ⁽²¹⁾ | | | 55 | deg |
| ILLUMINATION (Solid State) | | | | | |
| L | Operating system luminance ⁽¹⁷⁾ | | | 5500 | lm |
| ILL _{UV} | Illumination wavelengths < 436 nm ⁽¹¹⁾ | | | 0.45 | mW/cm ² |
| ILL _{VIS} | Illumination wavelengths between 436 nm and 800 nm | | Thermally Limited | | mW/cm ² |
| ILL _{IR} | Illumination wavelengths > 800 nm | | | 10 | mW/cm ² |
| ILL _{θ} | Illumination marginal ray angle ⁽²¹⁾ | | | 55 | deg |

- (1) All voltages are referenced to common ground VSS. VBIAS, VCC, VOFFSET, and VRESET power supplies are all required for proper DMD operation. VSS must also be connected.
- (2) VOFFSET supply transients must fall within specified max voltages.
- (3) To prevent excess current, the supply voltage difference $|V_{\text{BIAS}} - V_{\text{OFFSET}}|$ must be less than specified limit. See [Power Supply Recommendations](#), [图 9-1](#), and [表 9-1](#).
- (4) To prevent excess current, the supply voltage difference $|V_{\text{BIAS}} - V_{\text{RESET}}|$ must be less than specified limit. See [Power Supply Recommendations](#), [图 9-1](#), and [表 9-1](#).
- (5) Low-speed interface is LPSDR and adheres to the Electrical Characteristics and AC/DC Operating Conditions table in JEDEC Standard No. 209B, "Low-Power Double Data Rate (LPDDR)" JESD209B. Tester Conditions for VIH and VIL.
 - Frequency = 60 MHz. Maximum Rise Time = 2.5 ns @ (20% - 80%)
 - Frequency = 60 MHz. Maximum Fall Time = 2.5 ns @ (80% - 20%)
- (6) PWRDNZ input pin resets the SCP and disables the LVDS receivers. PWRDNZ input pin overrides SCPENZ input pin and tristates the SCPDO output pin.
- (7) The SCP clock is a gated clock. Duty cycle must be 50% \pm 10%. SCP parameter is related to the frequency of DCLK.
- (8) See [图 6-2](#).
- (9) See LVDS Timing Requirements in [Timing Requirements](#) and [图 6-6](#).

- (10) See [Figure 6-5](#) LVDS Waveform Requirements.
- (11) Simultaneous exposure of the DMD to the maximum [Recommended Operating Conditions](#) for temperature and UV illumination reduces device lifetime.
- (12) The array temperature cannot be measured directly and must be computed analytically from the temperature measured at test point 1 (TP1) shown in [Figure 7-2](#) and the package [thermal resistance](#) using the [Micromirror Array Temperature Calculation](#).
- (13) Per [Figure 6-1](#), the maximum operational array temperature must be derated based on the micromirror landed duty cycle that the DMD experiences in the end application. See [Micromirror Landed-On/Landed-Off Duty Cycle](#) for a definition of micromirror landed duty cycle.
- (14) Long-term is defined as the usable life of the device.
- (15) Array temperatures beyond those specified as long-term are recommended for short-term conditions only (power-up). Short-term is defined as cumulative time over the usable life of the device and is less than 500 hours.
- (16) Temperature delta is the highest difference between the ceramic test point 1 (TP1) and anywhere on the window edge as shown in [Figure 7-2](#). The window test points TP2, TP3, TP4 and TP5 shown in [Figure 7-2](#) are intended to result in the worst case delta temperature. If a particular application causes another point on the window edge to result in a larger delta in temperature, use that point.
- (17) DMD is qualified at the combination of the maximum temperature and maximum lumens specified. Operation of the DMD outside of these limits has not been tested.
- (18) The average over time (including storage and operating) that the device is not in the 'elevated dew point temperature range.
- (19) The locations of thermal test points TP2, TP3, TP4 and TP5 in Figure 10 are intended to measure the highest window edge temperature. For most applications, the locations shown are representative of the highest window edge temperature. If a particular application causes additional points on the window edge to be at a higher temperature, test points should be added to those locations.
- (20) Limit the exposure to dew point temperatures in the elevated range during storage and operation to less than a total cumulative time of CT_{ELR} .
- (21) The maximum marginal ray angle of the incoming illumination light at any point in the micromirror array, including Pond of Micromirrors (POM), cannot exceed 55 degrees from the normal to the device array plane. The device window aperture has not necessarily been designed to allow incoming light at higher maximum angles to pass to the micromirrors, and the device performance has not been tested nor qualified at angles exceeding this. Illumination light exceeding this angle outside the micromirror array (including POM) will contribute to thermal limitations described in this document, and may negatively affect lifetime.

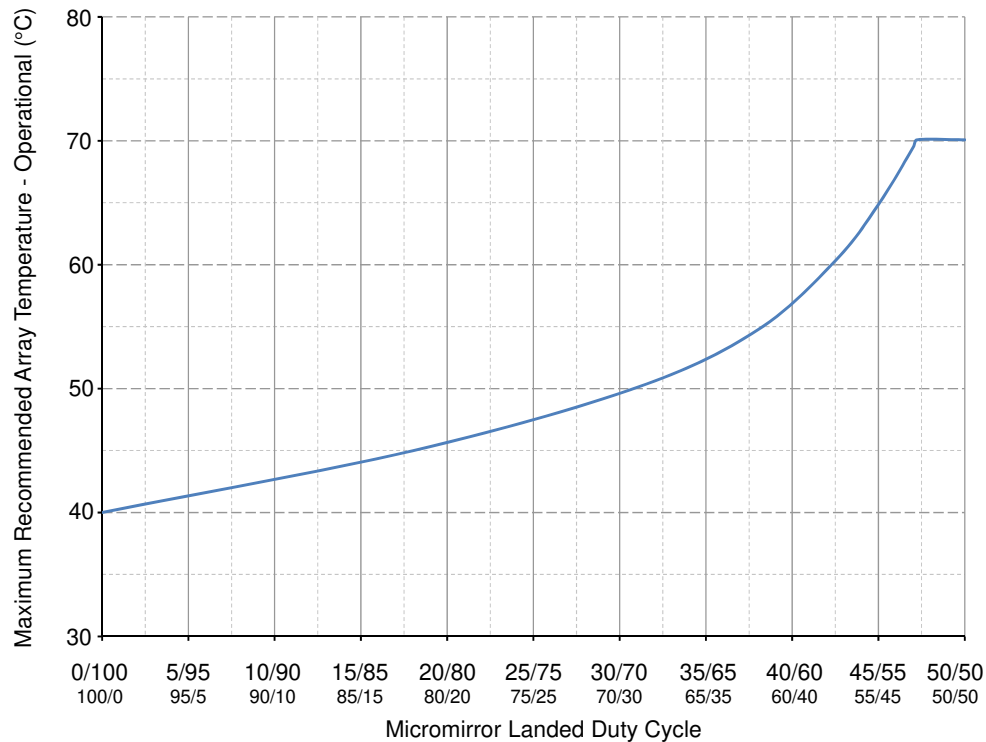


Figure 6-1. Maximum Recommended Array Temperature—Derating Curve

6.5 Thermal Information

| THERMAL METRIC | DLP470NE | UNIT |
|--|-------------|------|
| | FXH Package | |
| | 257 PINS | |
| Thermal resistance, active area to test point 1 (TP1) ⁽¹⁾ | 0.90 | °C/W |

- (1) The DMD is designed to conduct absorbed and dissipated heat to the back of the package. The cooling system must be capable of maintaining the package within the temperature range specified in the [Recommended Operating Conditions](#). The total heat load on the DMD is largely driven by the incident light absorbed by the active area; although other contributions include light energy absorbed by the window aperture and electrical power dissipation of the array. Optical systems must be designed to minimize the light energy falling outside the window clear aperture since any additional thermal load in this area can significantly degrade the reliability of the device.

6.6 Electrical Characteristics

Over operating free-air temperature range (unless otherwise noted).

| PARAMETER | TEST CONDITIONS | MIN | TYP | MAX | UNIT ⁽¹⁾ |
|---------------------|---|-----------------------|-----|---------|---------------------|
| V _{OH} | High level output voltage V _{CC} = 1.8 V, I _{OH} = - 2 mA | 0.8 × V _{CC} | | | V |
| V _{OL} | Low level output voltage V _{CC} = 1.95 V, I _{OL} = 2 mA | 0.2 × V _{CC} | | | V |
| I _{OZ} | High impedance output current V _{CC} = 1.95 V | - 40 | | 25 | μA |
| I _{IL} | Low level input current V _{CC} = 1.95 V, V _I = 0 | - 1 | | | μA |
| I _{IH} | High level input current ^{(2) (3)} V _{CC} = 1.95 V, V _I = V _{CC} | | | 110 | μA |
| I _{CC} | Supply current V _{CC} V _{CC} = 1.95 V | | | 715 | mA |
| I _{OFFSET} | Supply current V _{OFFSET} ⁽³⁾ V _{OFFSET} = 10.5 V | | | 7 | mA |
| I _{BIAS} | Supply current V _{BIAS} ^{(3) (4)} V _{BIAS} = 18.5 V | | | 2.75 | mA |
| I _{RESET} | Supply current V _{RESET} ⁽⁴⁾ V _{RESET} = - 14.5 V | | | -5 | mA |
| P _{CC} | Supply power dissipation V _{CC} V _{CC} = 1.95 V | | | 1394.25 | mW |
| P _{OFFSET} | Supply power dissipation V _{OFFSET} ⁽³⁾ V _{OFFSET} = 10.5 V | | | 73.50 | mW |
| P _{BIAS} | Supply power dissipation V _{BIAS} ^{(3) (4)} V _{BIAS} = 18.5 V | | | 50.87 | mW |
| P _{RESET} | Supply power dissipation V _{RESET} ⁽⁴⁾ V _{RESET} = - 14.5 V | | | 72.5 | mW |
| P _{TOTAL} | Supply power dissipation V _{TOTAL} | | | 1591.12 | mW |

- (1) All voltage values are with respect to the ground pins (VSS).
(2) Applies to LVCMOS pins only. Excludes LVDS pins and MBRST (15:0) pins.
(3) To prevent excess current, the supply voltage difference |V_{BIAS} - V_{OFFSET}| must be less than the specified limits listed in the [Recommended Operating Conditions](#) table.
(4) To prevent excess current, the supply voltage difference |V_{BIAS} - V_{RESET}| must be less than specified limit in [Recommended Operating Conditions](#).

6.7 Capacitance at Recommended Operating Conditions

Over operating free-air temperature range (unless otherwise noted).

| PARAMETER | TEST CONDITIONS | MIN | TYP | MAX | UNIT |
|------------------------|--|-----|-----|-----|------|
| C _{I_lvds} | LVDS input capacitance 2xLVDS f = 1 MHz | | | 20 | pF |
| C _{I_nonlvds} | Non-LVDS input capacitance 2xLVDS f = 1 MHz | | | 20 | pF |
| C _{I_tdiode} | Temperature diode input capacitance 2xLVDS f = 1 MHz | | | 30 | pF |
| C _O | Output capacitance f = 1 MHz | | | 20 | pF |

6.8 Timing Requirements

| | | | MIN | NOM | MAX | UNIT |
|---------------------------|----------------|---|--------|------|------|------|
| SCP⁽¹⁾ | | | | | | |
| t_r | Rise time | 20% to 80% reference points | | | 30 | ns |
| t_f | Fall time | 80% to 20% reference points | | | 30 | ns |
| LVDS⁽²⁾ | | | | | | |
| t_r | Rise slew rate | 20% to 80% reference points | 0.7 | 1 | | V/ns |
| t_f | Fall slew rate | 80% to 20% reference points | 0.7 | 1 | | V/ns |
| t_C | Clock cycle | DCLK_C, LVDS pair | 2.5 | | | ns |
| | | DCLK_D, LVDS pair | 2.5 | | | ns |
| t_W | Pulse duration | DCLK_C LVDS pair | 1.19 | 1.25 | | ns |
| | | DCLK_D LVDS pair | 1.19 | 1.25 | | ns |
| t_{Su} | Setup time | D_C(15:0) before DCLK_C, LVDS pair | 0.275 | | | ns |
| | | D_D(15:0) before DCLK_D, LVDS pair | 0.275 | | | ns |
| | | SCTRL_C before DCLK_C, LVDS pair | 0.275 | | | ns |
| | | SCTRL_D before DCLK_D, LVDS pair | 0.275 | | | ns |
| t_h | Hold time | D_C(15:0) after DCLK_C, LVDS pair | 0.195 | | | ns |
| | | D_D(15:0) after DCLK_D, LVDS pair | 0.195 | | | ns |
| | | SCTRL_C after DCLK_C, LVDS pair | 0.195 | | | ns |
| | | SCTRL_D after DCLK_D, LVDS pair | 0.195 | | | ns |
| t_{SKEW} | Skew time | Channel D relative to Channel C ⁽³⁾ ⁽⁴⁾ , LVDS pair | - 1.25 | | 1.25 | ns |

(1) See [Figure 6-3](#) for Rise Time and Fall Time for SCP.

(2) See [Figure 6-5](#) for Timing Requirements for LVDS.

(3) Channel C (Bus C) includes the following LVDS pairs: DCLK_CN and DCLK_CP, SCTRL_CN and SCTRL_CP, D_CN(15:0) and D_CP(15:0).

(4) Channel D (Bus D) includes the following LVDS pairs: DCLK_DN and DCLK_DP, SCTRL_DN and SCTRL_DP, D_DN(15:0) and D_DP(15:0).

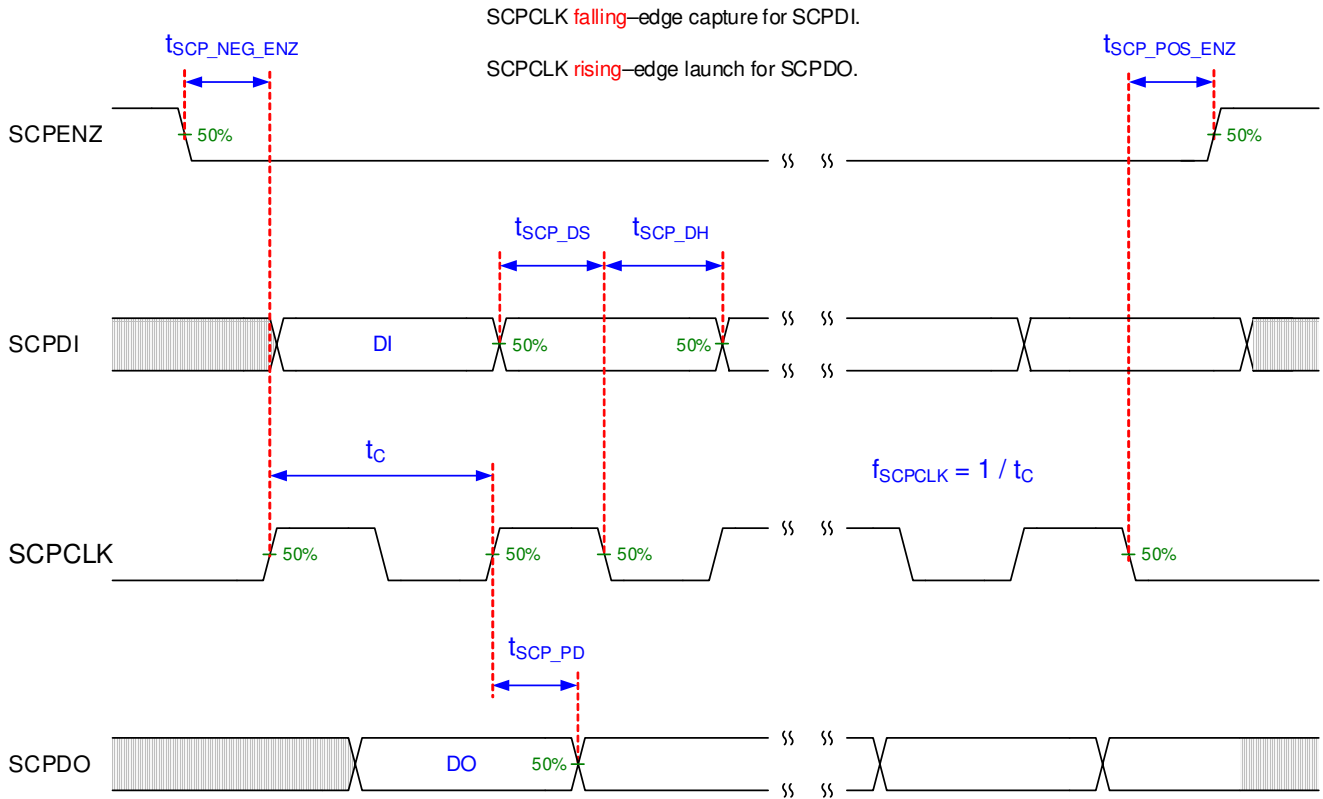


图 6-2. SCP Timing Requirements

See [Recommended Operating Conditions](#) for f_{SCPCLK} , t_{SCP_DS} , t_{SCP_DH} , and t_{SCP_PD} specifications.

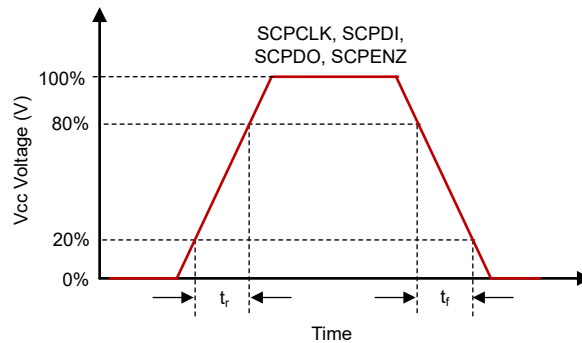


图 6-3. SCP Requirements for Rise and Fall

See [Timing Requirements](#) for t_r and t_f specifications and conditions.

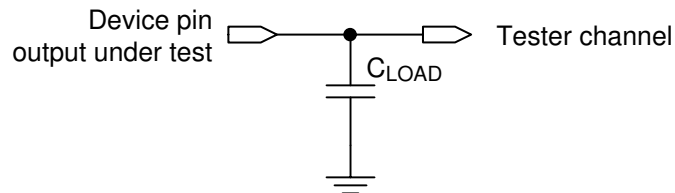


图 6-4. Test Load Circuit for Output Propagation Measurement

For output timing analysis, the tester pin electronics and its transmission line effects must be taken into account. System designers use IBIS or other simulation tools to correlate the timing reference load to a system environment. See [图 6-4](#).

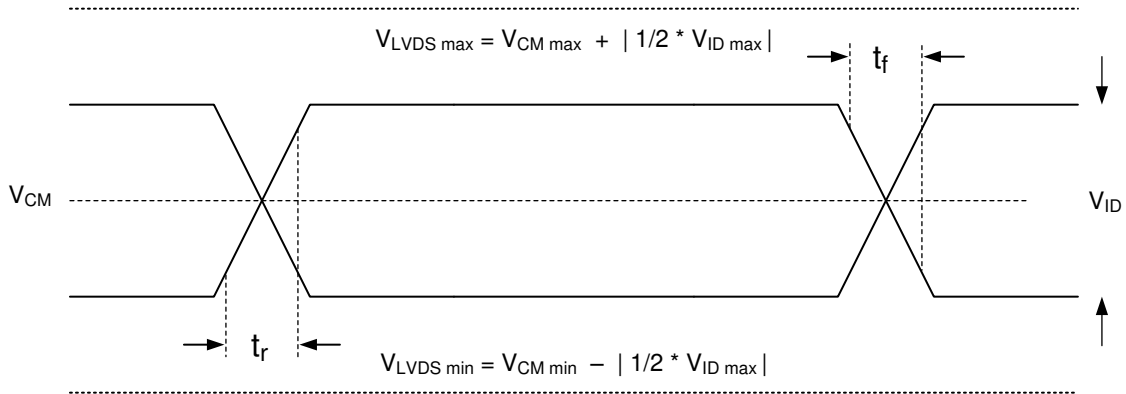


图 6-5. LVDS Waveform Requirements

See [Recommended Operating Conditions](#) for V_{CM} , V_{ID} , and V_{LVDS} specifications and conditions.

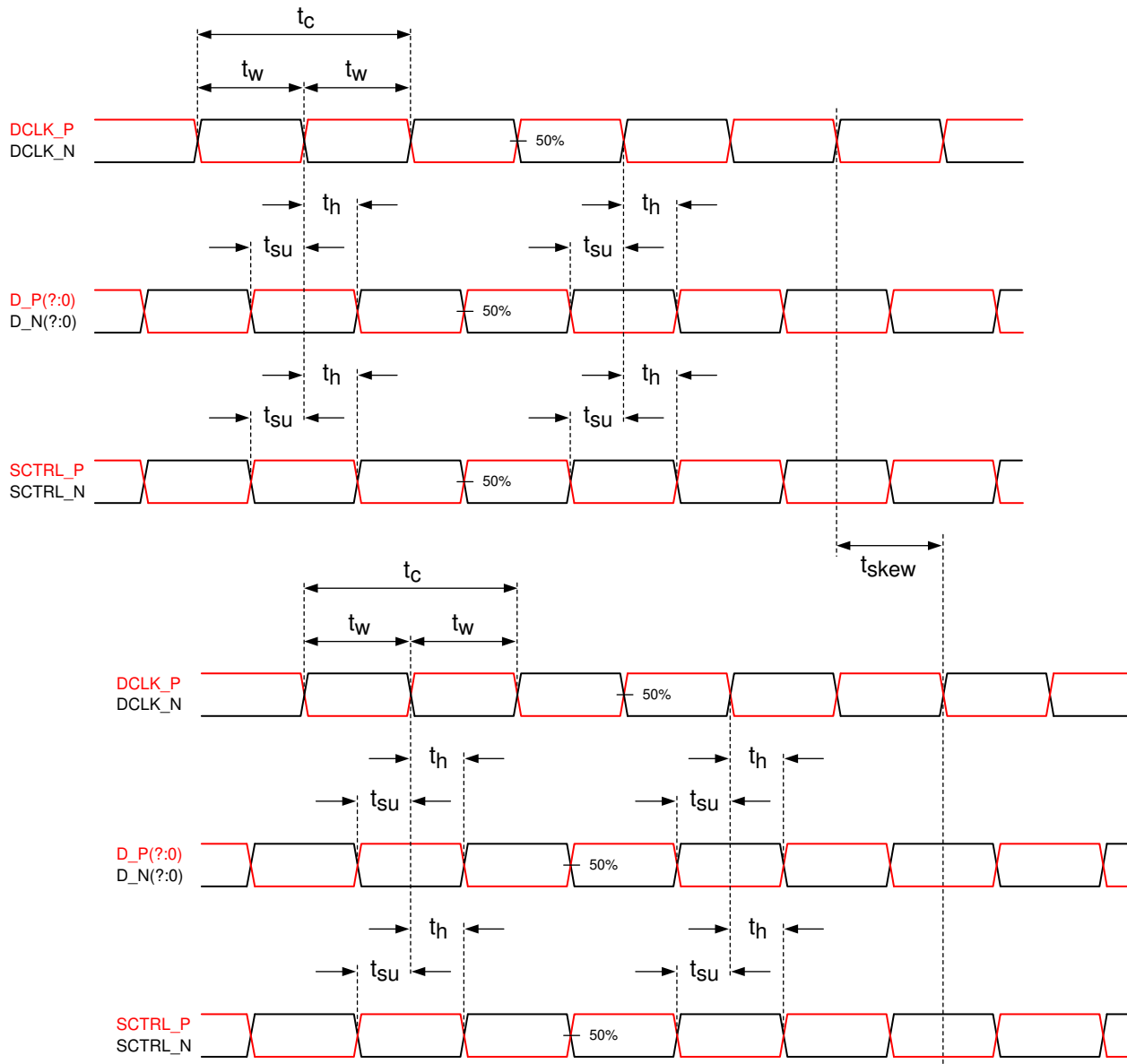


图 6-6. Timing Requirements

See [Timing Requirements](#) for timing requirements and LVDS pairs per channel (bus) defining D_P(?:0) and D_N(?:0).

6.9 System Mounting Interface Loads

表 6-1. System Mounting Interface Loads

| PARAMETER | MIN | NOM | MAX | UNIT |
|--|-----|-----|-----|------|
| Thermal interface area ⁽¹⁾ | | | 12 | kg |
| Electrical interface area ⁽¹⁾ | | | 25 | kg |

(1) Uniformly distributed within area shown in [图 6-7](#)

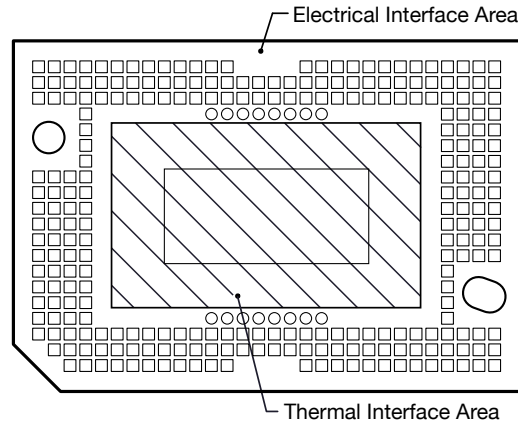


图 6-7. System Mounting Interface Loads

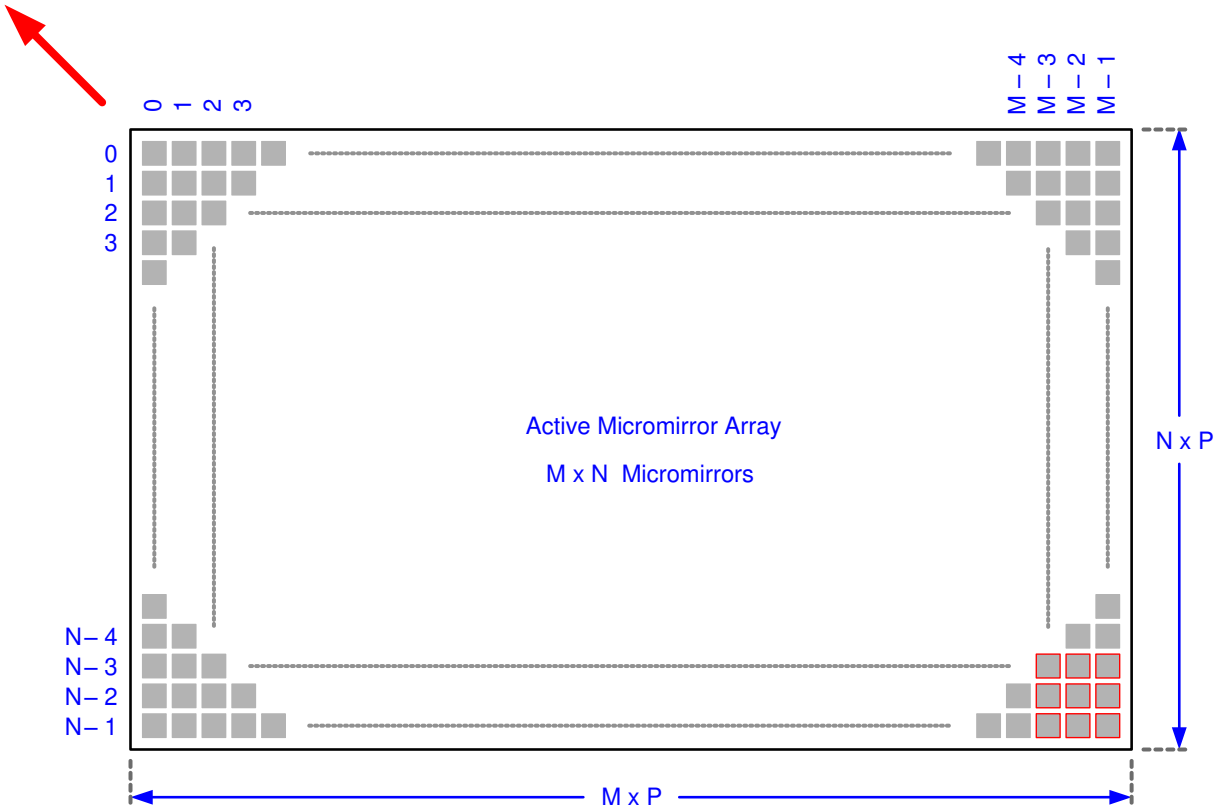
6.10 Micromirror Array Physical Characteristics

表 6-2. Micromirror Array Physical Characteristics

| PARAMETER DESCRIPTION | VALUE | UNIT |
|---|--|----------------------|
| Number of active columns ⁽¹⁾ | M | 1920 micromirrors |
| Number of active rows ⁽¹⁾ | N | 1080 micromirrors |
| Micromirror (pixel) pitch ⁽¹⁾ | P | 5.4 μm |
| Micromirror active array width ⁽¹⁾ | Micromirror Pitch × number of active columns | 10.368 mm |
| Micromirror active array height ⁽¹⁾ | Micromirror Pitch × number of active rows | 5.832 mm |
| Micromirror active border (Top / Bottom) ⁽²⁾ | Pond of micromirrors (POM) | 80 micromirrors/side |
| Micromirror active border (Right / Left) ⁽²⁾ | Pond of micromirrors (POM) | 84 micromirrors/side |

- (1) See [图 6-8](#).
- (2) The structure and qualities of the border around the active array includes a band of partially functional micromirrors referred to as the *Pond Of Mirrors* (POM). These micromirrors are structurally and electrically prevented from tilting toward the bright or ON state but still require an electrical bias to tilt toward the OFF state.

Off-State
Light Path



Incident
Illumination
Light Path



Pond Of Micromirrors (POM) omitted for clarity.

Details omitted for clarity. Not to scale.

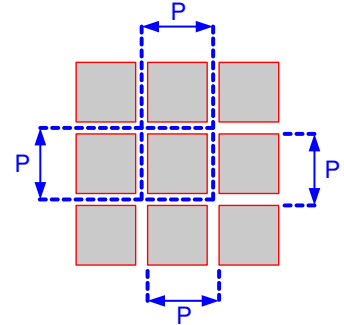


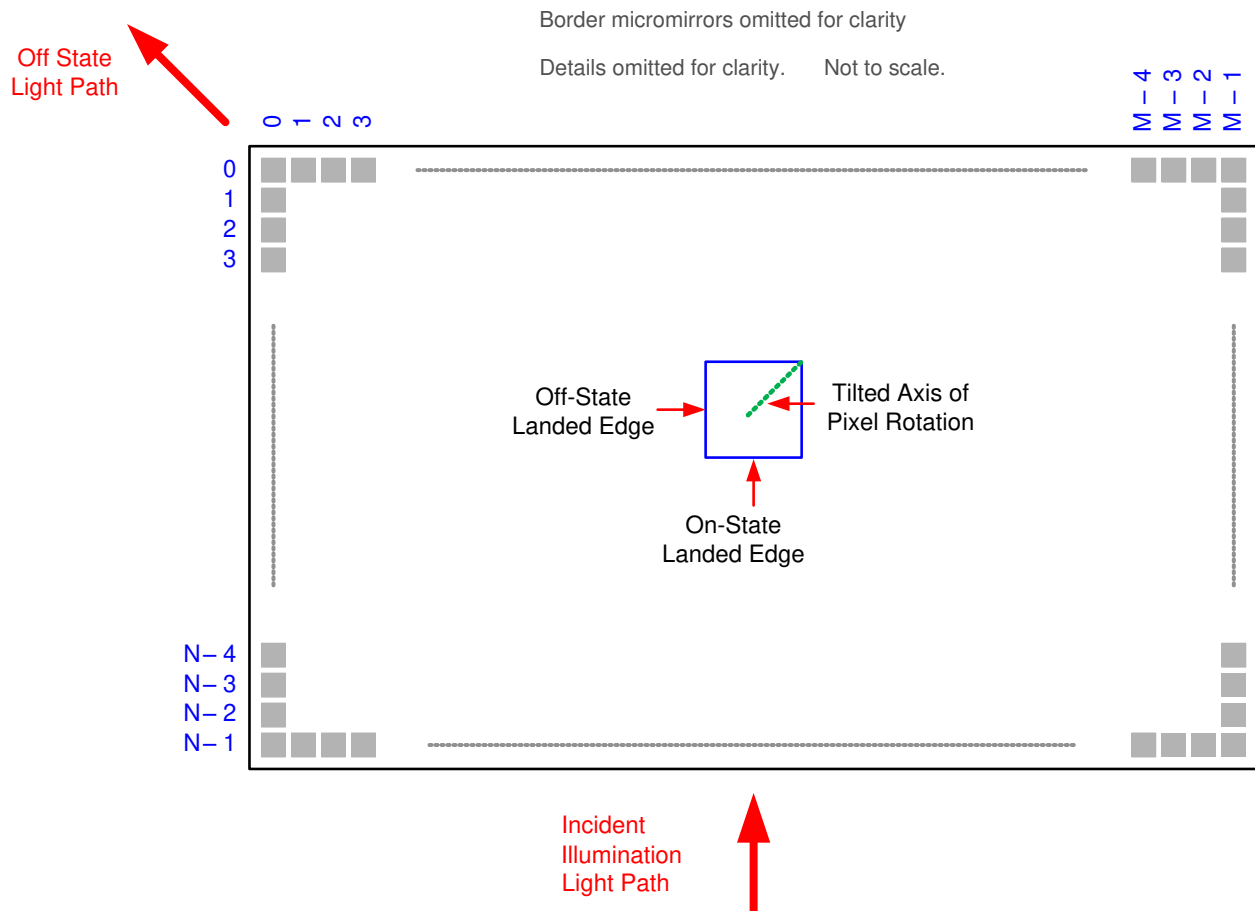
图 6-8. Micromirror Array Physical Characteristics

6.11 Micromirror Array Optical Characteristics

表 6-3. Micromirror Array Optical Characteristics

| PARAMETER | MIN | NOM | MAX | UNIT |
|--|---------------------------|------|------|--------------|
| Mirror Tilt angle, variation device to device ^{(1) (2) (3) (4)} | 15.6 | 17.0 | 18.4 | degrees |
| Number of out-of-specification micromirrors ⁽⁵⁾ | Adjacent micromirrors | | 0 | micromirrors |
| | Non-Adjacent micromirrors | | 10 | |
| DMD Efficiency (420 nm - 680 nm) | | | 68 | % |

- (1) Measured relative to the plane formed by the overall micromirror array
- (2) Variation can occur between any two individual micromirrors located on the same device or located on different devices
- (3) Additional variation exists between the micromirror array and the package datums. See the package drawing.
- (4) See 图 6-9.
- (5) An out-of-specification micromirror is defined as a micromirror that is unable to transition between the two landed states.



- A. Pond of Mirrors (POM) omitted for clarity
- B. Refer to [Micromirror Array Physical Characteristics](#) table for M, N, and P specifications.

图 6-9. Micromirror Landed Orientation and Tilt

6.12 Window Characteristics

表 6-4. DMD Window Characteristics

| DESCRIPTION | MIN | NOM |
|--|-----|------------------|
| Window Material | | Corning Eagle XG |
| Window Refractive Index at 546.1 nm | | 1.5119 |
| Window Transmittance, minimum within the wavelength range between 420 nm and 680 nm. Applies to all angles between 0° - 30° AOI. ⁽¹⁾ ⁽²⁾ | 97% | |
| Window Transmittance, average over the wavelength range 420 nm and 680 nm. Applies to all angles 30° - 45° AOI. ⁽¹⁾ ⁽²⁾ | 97% | |

(1) Single-pass through both surfaces and glass.

(2) Angle of incidence (AOI) is the angle between an incident ray and the normal to a reflecting or refracting surface.

6.13 Chipset Component Usage Specification

Reliable function and operation of the DLP470NE DMD requires that it be used in conjunction with the other components of the applicable DLP chipset, including those components that contain or implement TI DMD control technology. TI DMD control technology is the TI technology and devices for operating or controlling a DLP DMD.

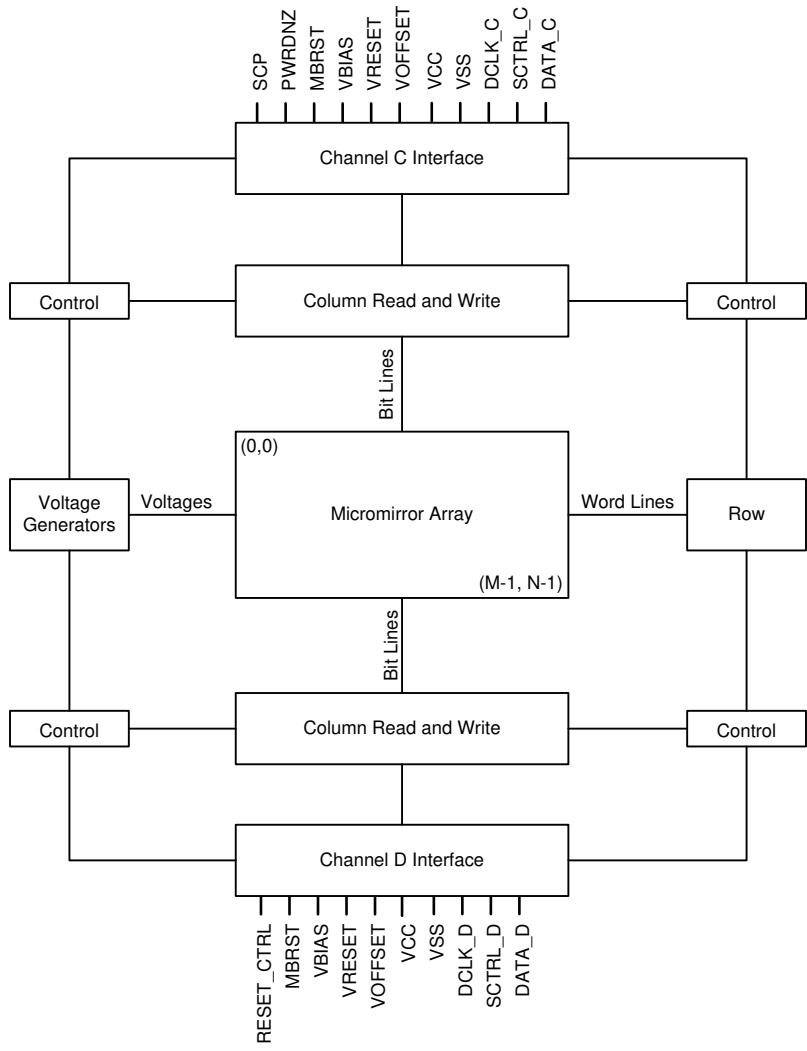
7 Detailed Description

7.1 Overview

The DMD is a 0.47-inch diagonal spatial light modulator that consists of an array of highly reflective aluminum micromirrors. The DMD is an electrical input, optical output micro-electrical-mechanical system (MEMS). The electrical interface is Low Voltage Differential Signaling (LVDS). The DMD consists of a two-dimensional array of 1-bit CMOS memory cells. The array is organized in a grid of M memory cell columns by N memory cell rows. Refer to the [节 7.2](#). The positive or negative deflection angle of the micromirrors can be individually controlled by changing the address voltage of underlying CMOS addressing circuitry and micromirror reset signals (MBRST).

The DLP470NE DMD is part of the chipset comprising of the DLP470NE DMD, the DLPC4430 display controller and the DLPA100 power and motor driver. To ensure reliable operation, the DLP470NE DMD must always be used with the DLPC4430 display controller and the DLPA100 power and motor driver.

7.2 Functional Block Diagram



Copyright © 2017, Texas Instruments Incorporated

For pin details on Channels C, and D, refer to [Pin Configuration and Functions](#) and LVDS Interface section of [§ 6.8](#). RESET_CTRL is used in applications when an external reset signal is required.

图 7-1. Functional Block Diagram

7.3 Feature Description

7.3.1 Power Interface

The DMD requires 5 DC voltages: DMD_P3P3V, DMD_P1P8V, VOFFSET, VRESET, and VBIAS. DMD_P3P3V is created by the DLPA100 power and motor driver and is used on the DMD board to create the other 4 DMD voltages, as well as powering various peripherals (TMP411, I2C, and TI level translators). DMD_P1P8V is created by the TI PMIC LP38513S and provides the VCC voltage required by the DMD. VOFFSET (10V), VRESET (-14V), and VBIAS(18V) are made by the TI PMIC TPS65145 and are supplied to the DMD to control the micromirrors.

7.3.2 Timing

The data sheet provides timing at the device pin. For output timing analysis, the tester pin electronics and its transmission line effects must be taken into account. [Figure 6-4](#) shows an equivalent test load circuit for the output under test. Timing reference loads are not intended as a precise representation of any particular system environment or depiction of the actual load presented by a production test. System designers use IBIS or other simulation tools to correlate the timing reference load to a system environment. The load capacitance value stated is only for characterization and measurement of AC timing signals. This load capacitance value does not indicate the maximum load the device is capable of driving.

7.4 Device Functional Modes

DMD functional modes are controlled by the DLPC4430 display controller. See the DLPC4430 display controller data sheet or contact a TI applications engineer.

7.5 Optical Interface and System Image Quality Considerations

TI assumes no responsibility for end-equipment optical performance. Achieving the desired end-equipment optical performance involves making trade-offs between numerous component and system design parameters. System optical performance and image quality strongly relate to optical system design parameter trade offs. Although it is not possible to anticipate every conceivable application, projector image quality and optical performance is contingent on compliance to the optical system operating conditions described in the following sections.

7.5.1 Numerical Aperture and Stray Light Control

The angle defined by the numerical aperture of the illumination and projection optics at the DMD optical area needs to be the same. This angle should not exceed the nominal device micromirror tilt angle unless appropriate apertures are added in the illumination and projection pupils to block out flat-state and stray light from the projection lens. The micromirror tilt angle defines DMD capability to separate the "ON" optical path from any other light path, including undesirable flat-state specular reflections from the DMD window, DMD border structures, or other system surfaces near the DMD such as prism or lens surfaces. If the numerical aperture exceeds the micromirror tilt angle, or if the projection numerical aperture angle is more than two degrees larger than the illumination numerical aperture angle, contrast degradation and objectionable artifacts may occur in the display border or active area.

7.5.2 Pupil Match

TI's optical and image quality specifications assume that the exit pupil of the illumination optics is nominally centered within 2° of the entrance pupil of the projection optics. Misalignment of pupils can create objectionable artifacts in the display border and active area, which may require additional system apertures to control, especially if the numerical aperture of the system exceeds the pixel tilt angle.

7.5.3 Illumination Overfill

The active area of the device is surrounded by an aperture on the inside DMD window surface that masks structures of the DMD chip assembly from normal view, and is sized to anticipate several optical operating conditions. Overfill light illuminating the window aperture can create artifacts from the edge of the window aperture opening and other surface anomalies that may be visible on the screen. Design the illumination optical system to limit light flux incident anywhere on the window aperture from exceeding approximately 10% of the

average flux level in the active area. Depending on the particular system optical architecture, overfill light may have to be further reduced below the suggested 10% level in order to be acceptable.

7.6 Micromirror Array Temperature Calculation

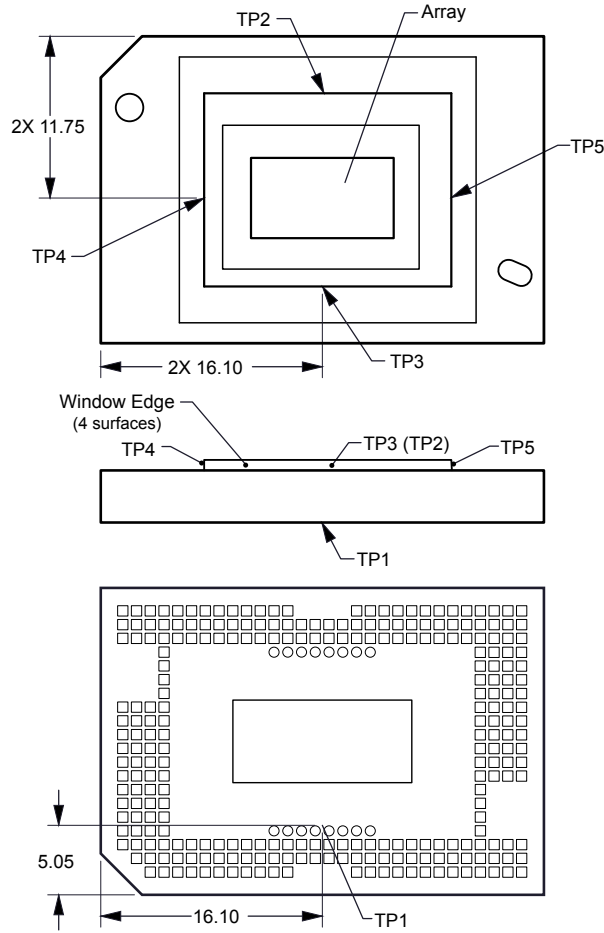


图 7-2. DMD Thermal Test Points

Micromirror array temperature can be computed analytically from measurement points on the outside of the package, the package thermal resistance, the electrical power, and the illumination heat load. The relationship between micromirror array temperature and the reference ceramic temperature is provided by the following equations:

$$T_{\text{ARRAY}} = T_{\text{CERAMIC}} + (Q_{\text{ARRAY}} \times R_{\text{ARRAY-TO-CERAMIC}})$$

$$Q_{\text{ARRAY}} = Q_{\text{ELECTRICAL}} + (Q_{\text{ILLUMINATION}})$$

where

- T_{ARRAY} = computed array temperature ($^{\circ}\text{C}$)
- T_{CERAMIC} = measured ceramic temperature ($^{\circ}\text{C}$) (TP1 location)
- $R_{\text{ARRAY-TO-CERAMIC}}$ = thermal resistance of package from array to ceramic TP1 ($^{\circ}\text{C}/\text{Watt}$)
- Q_{ARRAY} = Total DMD power on the array (Watts) (electrical + absorbed)
- $Q_{\text{ELECTRICAL}}$ = nominal electrical power
- $Q_{\text{ILLUMINATION}} = (C_{\text{L2W}} \times \text{SL})$
- C_{L2W} = Conversion constant for screen lumens to power on DMD (Watts/Lumen)
- SL = measured screen lumens

The electrical power dissipation of the DMD is variable and depends on the voltages, data rates and operating frequencies. A nominal electrical power dissipation to use when calculating array temperature is 0.9 Watts. The absorbed power from the illumination source is variable and depends on the operating state of the micromirrors and the intensity of the light source. The equations shown above are valid for a 1-Chip DMD system with projection efficiency from the DMD to the screen of 87%.

The conversion constant C_{L2W} is based on array characteristics. It assumes a spectral efficiency of 300 lumens/Watt for the projected light and illumination distribution of 83.7% on the active array, and 16.3% on the array border.

Sample calculations for typical projection application:

$$Q_{\text{ELECTRICAL}} = 0.9 \text{ W}$$

$$C_{\text{L2W}} = 0.00266$$

$$\text{SL} = 4000 \text{ lm}$$

$$T_{\text{CERAMIC}} = 55.0^{\circ}\text{C}$$

$$Q_{\text{ARRAY}} = 0.9 \text{ W} + (0.00266 \times 4000 \text{ lm}) = 11.54 \text{ W}$$

$$T_{\text{ARRAY}} = 55.0^{\circ}\text{C} + (11.54 \text{ W} \times 0.90^{\circ}\text{C}/\text{W}) = 65.39^{\circ}\text{C}$$

7.7 Micromirror Landed-On/Landed-Off Duty Cycle

7.7.1 Definition of Micromirror Landed-On/Landed-Off Duty Cycle

The micromirror landed-on/landed-off duty cycle (landed duty cycle) denotes the amount of time (as a percentage) that an individual micromirror is landed in the On state versus the amount of time the same micromirror is landed in the OFF state.

As an example, a landed duty cycle of 100/0 indicates that the referenced pixel is in the ON state 100% of the time (and in the Off state 0% of the time); whereas 0/100 indicate that the pixel is in the OFF state 100% of the time. Likewise, 50/50 indicates that the pixel is ON for 50% of the time (and OFF for 50% of the time).

Note that when assessing landed duty cycle, the time spent switching from one state (ON or OFF) to the other state (OFF or ON) is considered negligible and is thus ignored.

Since a micromirror can only be landed in one state or the other (ON or OFF), the two numbers (percentages) always add to 100.

7.7.2 Landed Duty Cycle and Useful Life of the DMD

Knowing the long-term average landed duty cycle (of the end product or application) is important because subjecting all (or a portion) of the DMD micromirror array (also called the active array) to an asymmetric landed duty cycle for a prolonged period of time can reduce the DMD usable life.

Note that it is the symmetry or asymmetry of the landed duty cycle that is of relevance. The symmetry of the landed duty cycle is determined by how close the two numbers (percentages) are to being equal. For example, a landed duty cycle of 50/50 is perfectly symmetrical whereas a landed duty cycle of 100/0 or 0/100 is perfectly asymmetrical.

7.7.3 Landed Duty Cycle and Operational DMD Temperature

Operational DMD temperature and landed duty cycle interact to affect DMD usable life, and this interaction can be exploited to reduce the impact that an asymmetrical landed duty cycle has on the DMD usable life. This is quantified in the de-rating curve shown in [图 6-1](#). The importance of this curve is that:

- All points along this curve represent the same usable life.
- All points above this curve represent lower usable life (and the further away from the curve, the lower the usable life).
- All points below this curve represent higher usable life (and the further away from the curve, the higher the usable life).

In practice, this curve specifies the maximum operating DMD Temperature at a given long-term average Landed Duty Cycle.

7.7.4 Estimating the Long-Term Average Landed Duty Cycle of a Product or Application

During a given period of time, the Landed Duty Cycle of a given pixel follows from the image content being displayed by that pixel.

For example, in the simplest case, when displaying pure-white on a given pixel for a given time period, that pixel operates under a 100/0 Landed Duty Cycle during that time period. Likewise, when displaying pure-black, the pixel operates under a 0/100 Landed Duty Cycle.

Between the two extremes (ignoring for the moment color and any image processing that may be applied to an incoming image), the Landed Duty Cycle tracks one-to-one with the gray scale value, as shown in [表 7-1](#).

表 7-1. Grayscale Value and Landed Duty Cycle

| GRAYSCALE VALUE | LANDED DUTY CYCLE |
|-----------------|-------------------|
| 0% | 0/100 |
| 10% | 10/90 |
| 20% | 20/80 |
| 30% | 30/70 |
| 40% | 40/60 |
| 50% | 50/50 |
| 60% | 60/40 |
| 70% | 70/30 |
| 80% | 80/20 |
| 90% | 90/10 |
| 100% | 100/0 |

Accounting for color rendition (but still ignoring image processing) requires knowing both the color intensity (from 0% to 100%) for each constituent primary color (red, green, and blue) for the given pixel as well as the color cycle time for each primary color, where “color cycle time” is the total percentage of the frame time that a given primary must be displayed in order to achieve the desired white point.

Use the following equation to calculate the landed duty cycle of a given pixel during a given time period

$$\text{Landed Duty Cycle} = (\text{Red_Cycle_}\% \times \text{Red_Scale_Value}) + (\text{Green_Cycle_}\% \times \text{Green_Scale_Value}) + (\text{Blue_Cycle_}\% \times \text{Blue_Scale_Value})$$

where

- Red_Cycle_%, represents the percentage of the frame time that red is displayed to achieve the desired white point
- Green_Cycle_% represents the percentage of the frame time that green is displayed to achieve the desired white point
- Blue_Cycle_%, represents the percentage of the frame time that blue is displayed to achieve the desired white point

For example, assume that the red, green and blue color cycle times are 50%, 20%, and 30% respectively (in order to achieve the desired white point), then the Landed Duty Cycle for various combinations of red, green, blue color intensities are as shown in [表 7-2](#) and [表 7-3](#).

表 7-2. Example Landed Duty Cycle for Full-Color, Color Percentage

| CYCLE PERCENTAGE | | |
|------------------|-------|------|
| RED | GREEN | BLUE |
| 50% | 20% | 30% |

表 7-3. Example Landed Duty Cycle for Full-Color

| SCALE VALUE | | | LANDED DUTY CYCLE |
|-------------|-------|------|-------------------|
| RED | GREEN | BLUE | |
| 0% | 0% | 0% | 0/100 |
| 100% | 0% | 0% | 50/50 |
| 0% | 100% | 0% | 20/80 |
| 0% | 0% | 100% | 30/70 |
| 12% | 0% | 0% | 6/94 |
| 0% | 35% | 0% | 7/93 |
| 0% | 0% | 60% | 18/82 |
| 100% | 100% | 0% | 70/30 |
| 0% | 100% | 100% | 50/50 |
| 100% | 0% | 100% | 80/20 |
| 12% | 35% | 0% | 13/87 |
| 0% | 35% | 60% | 25/75 |
| 12% | 0% | 60% | 24/76 |
| 100% | 100% | 100% | 100/0 |

8 Application and Implementation

备注

Information in the following applications sections is not part of the TI component specification, and TI does not warrant its accuracy or completeness. TI's customers are responsible for determining suitability of components for their purposes. Customers should validate and test their design implementation to confirm system functionality.

8.1 Application Information

Texas Instruments DLP technology is a micro-electro-mechanical systems (MEMS) technology that modulates light using a digital micromirror device (DMD). The DMD is a spatial light modulator, which reflects incoming light from an illumination source to one of two directions, towards the projection optics or collection optics. Typical applications using the DLP470NE include home theater, digital signage, interactive display, low-latency gaming display, portable smart displays.

The most recent class of chipsets from Texas Instruments is based on a breakthrough micromirror technology, called TRP. With a smaller pixel pitch of 5.4 μm and increased tilt angle of 17 degrees, TRP chipsets enable higher resolution in a smaller form factor and enhanced image processing features while maintaining high optical efficiency. DLP chipsets are a great fit for any system that requires high resolution and high brightness displays.

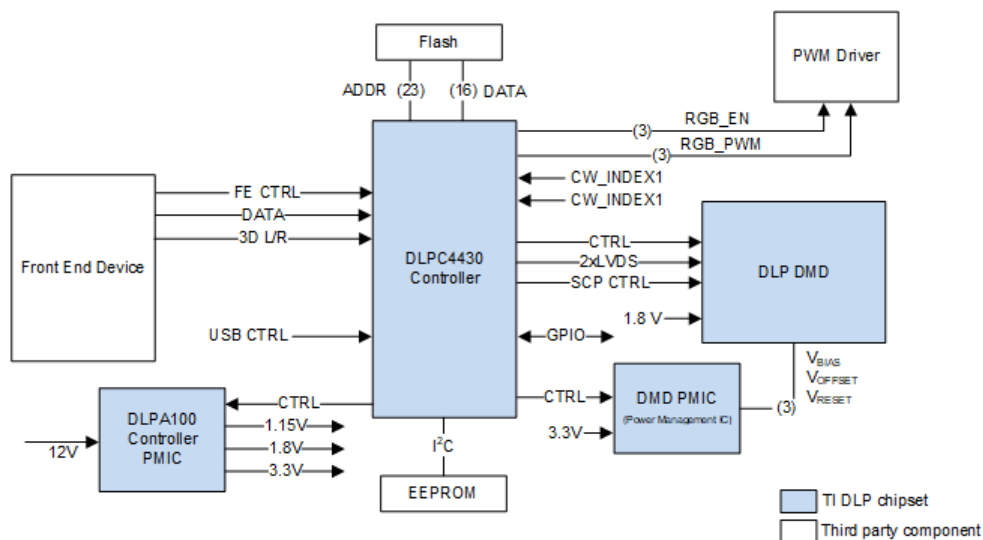
The following orderables were replaced by the DLP470NE.

Device Information

| PART NUMBER | PACKAGE | BODY SIZE (NOM) | Mechanical ICD |
|-------------|-----------|-------------------|----------------|
| DLP470NETA | FXH (257) | 33.2 mm × 22.3 mm | 2516206 |
| 1910-5432B | FXH (257) | 33.2 mm × 22.3 mm | 2516206 |
| 1910-5437B | FXH (257) | 33.2 mm × 22.3 mm | 2516206 |
| 1910-543AB | FXH (257) | 33.2 mm × 22.3 mm | 2516206 |

8.2 Typical Application

The DLP470NE digital micromirror device (DMD), combined with a DLPC4430 digital controller and DLPA100 power management device, provides full HD resolution for bright, colorful display applications. 图 8-1 shows a typical display system using the DLP470NE and additional system components.



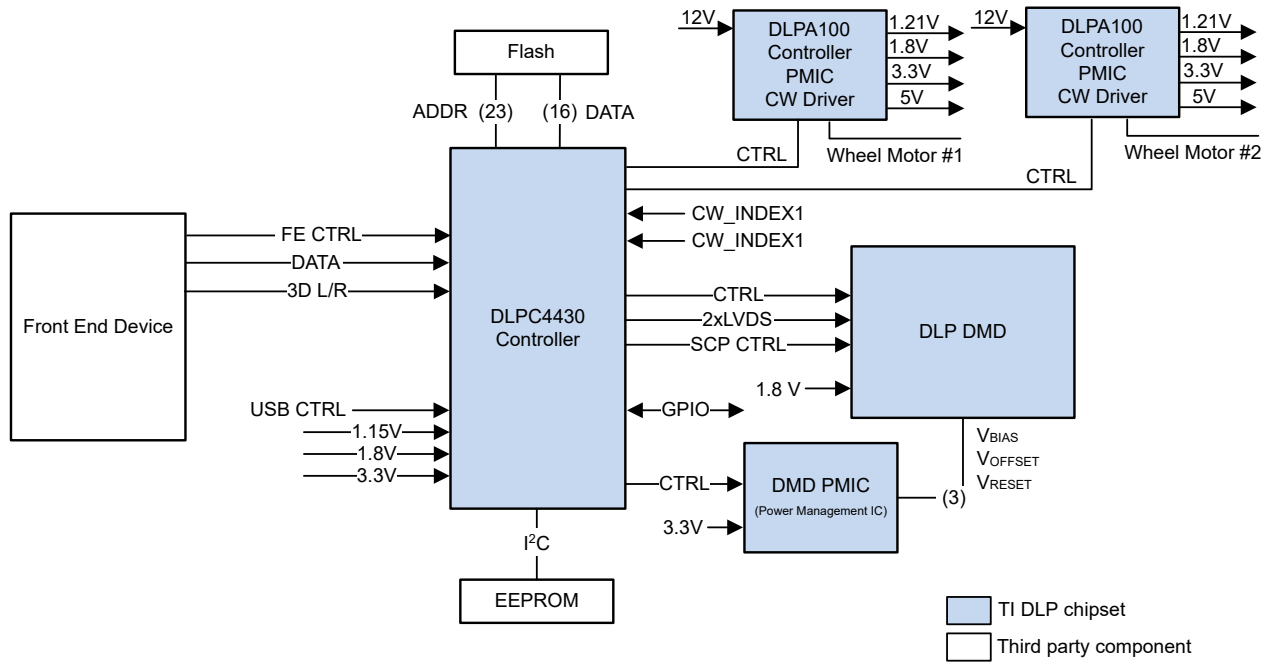


图 8-1. Typical DLPC4430 Application (LED, Top; LPCW, Bottom)

8.2.1 Design Requirements

A DLP470NE projection system is created by using the DMD chipset, including the DLP470NE, DLPC4430, and DLPA100. The DLP470NE is used as the core imaging device in the display system and contains a 0.47-inch array of micromirrors. The DLPC4430 controller is the digital interface between the DMD and the rest of the system, taking digital input from front end receiver and driving the DMD over a high speed interface. The DLPA100 power management device provides voltage regulators for the DMD, controller, and illumination functionality.

Other core components of the display system include an illumination source, an optical engine for the illumination and projection optics, other electrical and mechanical components, and software. The illumination source options include lamp, LED, laser or laser phosphor. The type of illumination used and desired brightness will have a major effect on the overall system design and size.

8.2.2 Detailed Design Procedure

For connecting the DLPC4430 display controller and the DLP470NE DMD, see the reference design schematic. For a complete DLP system, an optical module or light engine is required that contains the DLP470NE DMD, associated illumination sources, optical elements, and necessary mechanical components.

To ensure reliable operation, the DLP470NE DMD must always be used with the DLPC4430 display controller and a DLPA100 PMIC driver. Refer to PCB Design Requirements for DLP Standard TRP Digital Micromirror Devices for the DMD board design and manufacturing handling of the DMD subassemblies.

8.2.3 Application Curves

When LED illumination is utilized, typical LED-current-to-Luminance relationship is shown in [图 8-2](#).

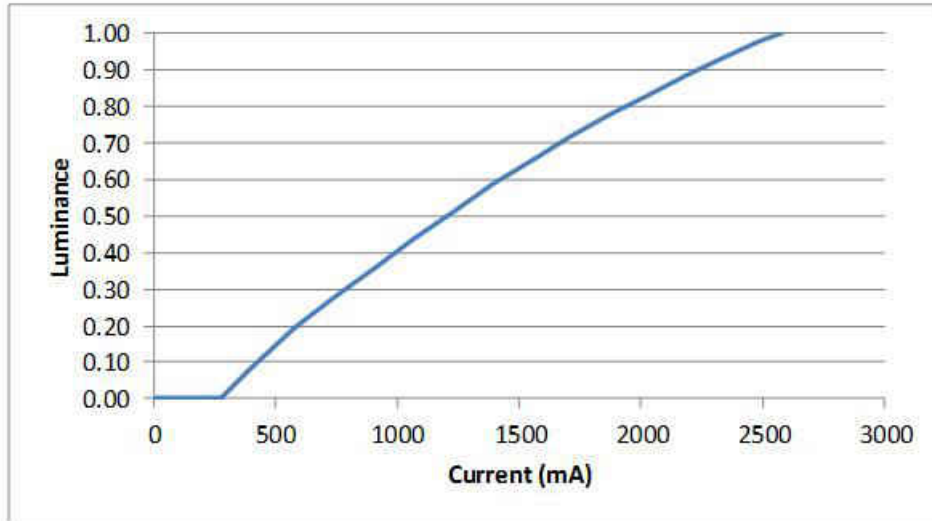
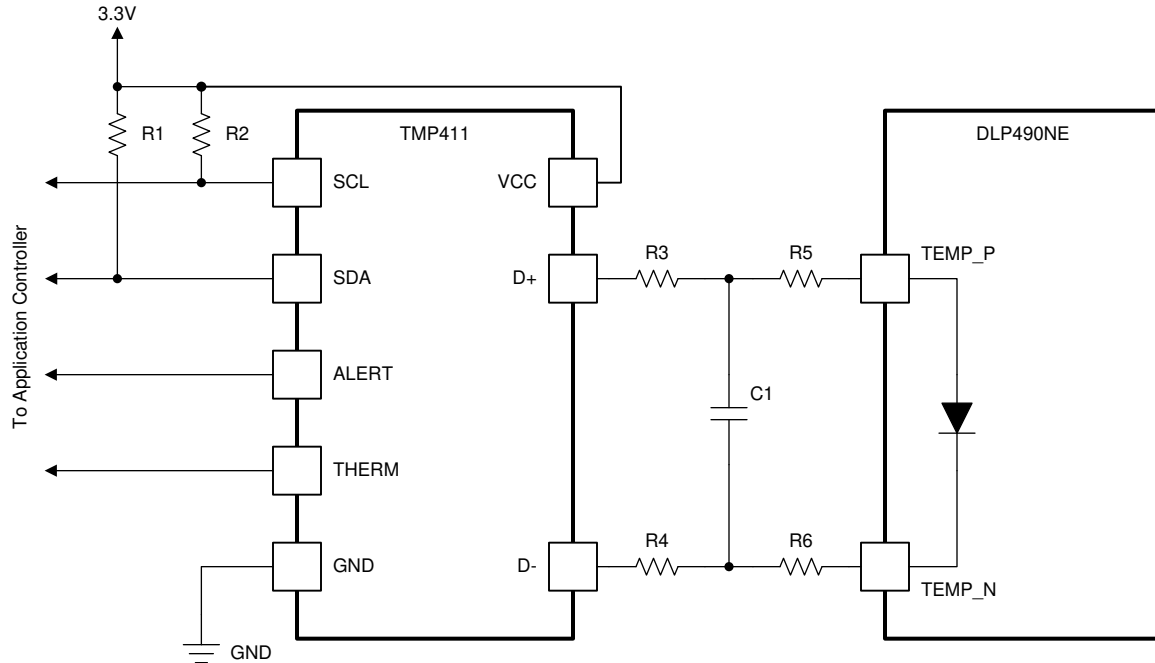


图 8-2. Luminance vs. Current

8.3 DMD Die Temperature Sensing

The DMD features a built-in thermal diode that measures the temperature at one corner of the die outside the micromirror array. The thermal diode can be interfaced with the TMP411 temperature sensor, as shown in 图 8-3. The serial bus from the TMP411 can be connected to the DLPC4430 display controller to enable its temperature sensing features. See the *DLPC4430 Programmers' Guide* for instructions on installing the DLPC4430 controller support firmware bundle and obtaining the temperature readings.

The software application contains functions to configure the TMP411 to read the DMD temperature sensor diode. This data can be leveraged to incorporate additional functionality in the overall system design such as adjusting illumination, fan speeds, and so forth. All communication between the TMP411 and the DLPC4430 controller will be completed using the I²C interface. The TMP411 connects to the DMD via pins B17 and B18, as outlined in 节 5.



- A. Details omitted for clarity, see the [TI Reference Design](#) for connections to the DLPC4430 controller.
- B. See the [TMP411](#) data sheet for system board layout recommendation.
- C. See the [TMP411](#) data sheet and the TI reference design for suggested component values for R1, R2, R3, R4, and C1.
- D. R5 = 0 Ω . R6 = 0 Ω . Zero-ohm resistors need to be located close to the DMD package pins.

图 8-3. TMP411 Sample Schematic

9 Power Supply Recommendations

The following power supplies are all required to operate the DMD:

- VSS
- VBIAS
- VCC
- VOFFSET
- VRESET

DMD power-up and power-down sequencing is strictly controlled by the DLP display controller.

CAUTION

For reliable operation of the DMD, the following power supply sequencing requirements must be followed. Failure to adhere to any of the prescribed power-up and power-down requirements may affect device reliability. See [图 9-1 DMD Power Supply Sequencing Requirements](#).

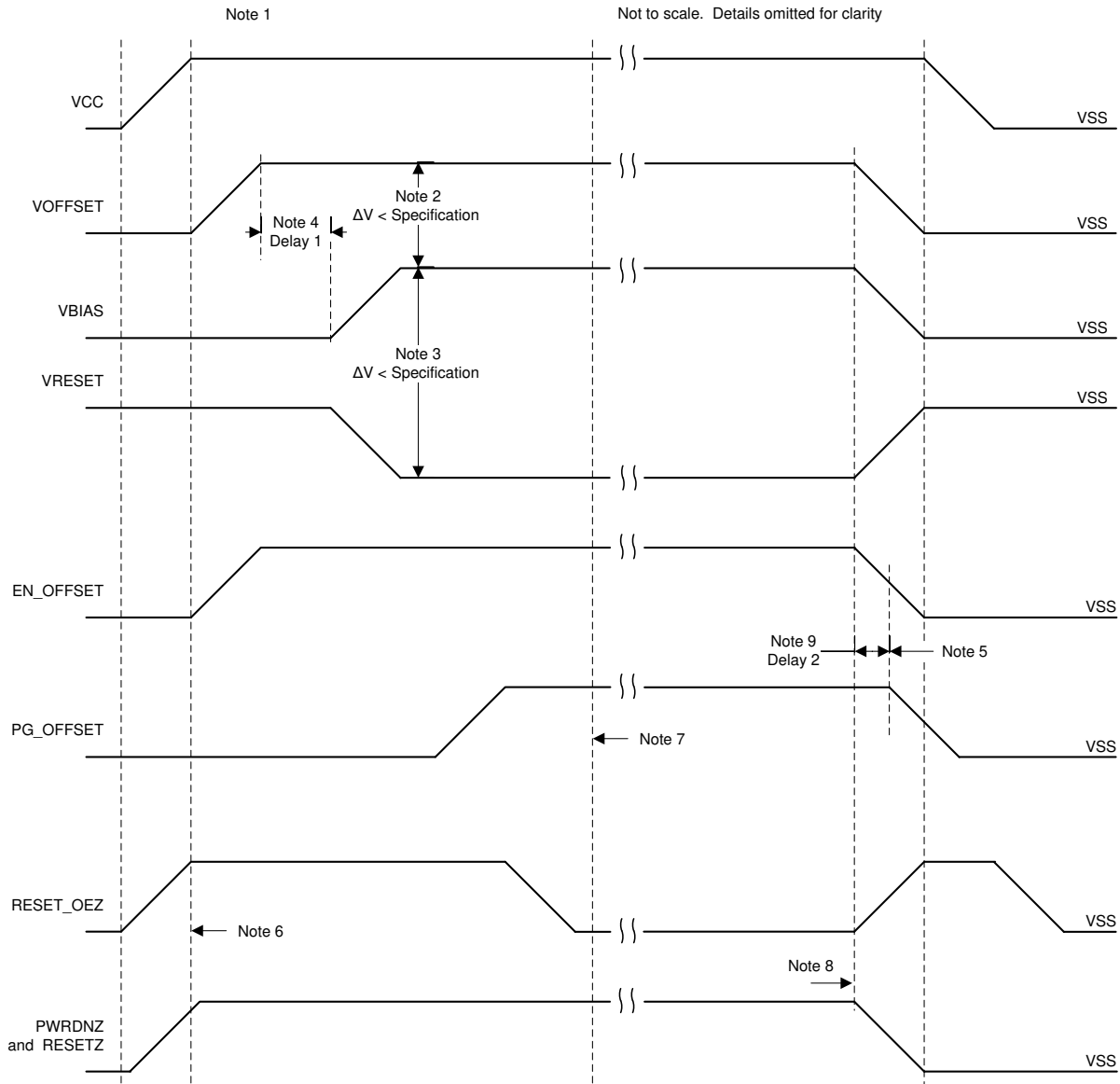
VBIAS, VCC, VOFFSET, and VRESET power supplies must be coordinated during power-up and power-down operations. Failure to meet any of the below requirements will result in a significant reduction in the DMD reliability and lifetime. Common ground VSS must also be connected.

9.1 DMD Power Supply Power-Up Procedure

- During power-up, VCC must always start and settle before VOFFSET plus Delay1 specified in [表 9-1](#), VBIAS, and VRESET voltages are applied to the DMD.
- During power-up, it is a strict requirement that the voltage difference between VBIAS and VOFFSET must be within the specified limit shown in [节 6.4](#).
- During power-up, there is no requirement for the relative timing of VRESET with respect to VBIAS.
- Power supply slew rates during power-up are flexible, provided that the transient voltage levels follow the requirements specified in [节 6.1](#), in [节 6.4](#), and in [图 9-1](#).
- During power-up, LVCMOS input pins must not be driven high until after VCC have settled at operating voltages listed in [节 6.4](#).

9.2 DMD Power Supply Power-Down Procedure

- During power-down, VCC must be supplied until after VBIAS, VRESET, and VOFFSET are discharged to within the specified limit of ground. See [表 9-1](#).
- During power-down, it is a strict requirement that the voltage difference between VBIAS and VOFFSET must be within the specified limit shown in [节 6.4](#).
- During power-down, there is no requirement for the relative timing of VRESET with respect to VBIAS.
- Power supply slew rates during power-down are flexible, provided that the transient voltage levels follow the requirements specified in [节 6.1](#), in [节 6.4](#), and in [图 9-1](#).
- During power-down, LVCMOS input pins must be less than specified in [节 6.4](#).



- A. See [节 6.4](#) and [Pin Configuration and Functions](#).
- B. To prevent excess current, the supply voltage difference $|V_{\text{OFFSET}} - V_{\text{BIAS}}|$ must be less than specified limit in [节 6.4](#).
- C. To prevent excess current, the supply difference $|V_{\text{BIAS}} - V_{\text{RESET}}|$ must be less than specified limit in [节 6.4](#).
- D. VBIAS must power up after VOFFSET has powered up, per the Delay1 specification in [表 9-1](#).
- E. PG_OFFSET must turn off after EN_OFFSET has turned off, per the Delay2 specification in [表 9-1](#).
- F. DLP controller software enables the DMD power supplies to turn on after RESET_OEZ is at logic high.
- G. DLP controller software initiates the global VBIAS command.
- H. After the DMD micromirror park sequence is complete, the DLP controller software initiates a hardware power-down that activates PWRDNZ and disables VBIAS, VRESET and VOFFSET.
- I. Under power-loss conditions where emergency DMD micromirror park procedures are being enacted by the DLP controller hardware, EN_OFFSET may turn off after PG_OFFSET has turned off. The OEZ signal goes high prior to PG_OFFSET turning off to indicate the DMD micromirror has completed the emergency park procedures.

图 9-1. DMD Power Supply Requirements

表 9-1. DMD Power-Supply Requirements

| PARAMETER | DESCRIPTION | MIN | NOM | MAX | UNIT |
|-----------|--|-----|-----|-----|------|
| Delay1 | Delay from VOFFSET settled at recommended operating voltage to VBIAS and VRESET power up | 1 | 2 | | ms |
| Delay2 | PG_OFFSET hold time after EN_OFFSET goes low | 100 | | | ns |

10 Layout

10.1 Layout Guidelines

The DLP470NE DMD is part of a chipset controlled by the DLPC4430 display controller in conjunction with the DLPA100 power and motor driver. These guidelines help to design a PCB board with the DLP470NE DMD. The DLP470NE DMD board is a high-speed multilayer PCB, with primarily high-speed digital logic using dual-edge clock rates up to 400 MHz for DMD LVDS signals. The remaining traces are comprised of low speed digital LVTTTL signals. TI recommends that mini power planes are used for VOFFSET, VRESET, and VBIAS. Solid planes are required for DMD_P3P3V(3.3 V), DMD_P1P8V and Ground. The target impedance for the PCB is $50 \Omega \pm 10\%$ with the LVDS traces being $100 \Omega \pm 10\%$ differential. TI recommends using an 8-layer stack-up, as described in [表 10-1](#).

10.2 Layout Example

10.2.1 Layers

The layer stack-up and copper weight for each layer is shown in [表 10-1](#). Small sub-planes are allowed on signal routing layers to connect components to major sub-planes on top or bottom layers if necessary.

表 10-1. Layer Stack-Up

| LAYER NO. | LAYER NAME | COPPER WT. (oz.) | COMMENTS |
|-----------|-------------------------------|------------------|--|
| 1 | Side A - DMD only | 1.5 | DMD, escapes, low frequency signals, power sub-planes. |
| 2 | Ground | 1 | Solid ground plane (net GND). |
| 3 | Signal | 0.5 | 50Ω and 100Ω differential signals |
| 4 | Ground | 1 | Solid ground plane (net GND) |
| 5 | DMD_P3P3V | 1 | +3.3-V power plane (net DMD_P3P3V) |
| 6 | Signal | 0.5 | 50Ω and 100Ω differential signals |
| 7 | Ground | 1 | Solid ground plane (net GND). |
| 8 | Side B - All other Components | 1.5 | Discrete components, low frequency signals, power sub-planes |

10.2.2 Impedance Requirements

TI recommends that the board has matched impedance of $50 \Omega \pm 10\%$ for all signals. The exceptions are listed in [表 10-2](#).

表 10-2. Special Impedance Requirements

| Signal Type | Signal Name | Impedance (ohms) |
|-----------------------------------|------------------------|--|
| C channel LVDS differential pairs | DDCP(0:15), DDCN(0:15) | $100 \pm 10\%$ differential across each pair |
| | DCLKC_P, DCLKC_N | |
| | SCTRL_CP, SCTRL_CN | |
| D channel LVDS differential pairs | DDDP(0:15), DDDN(0:15) | $100 \pm 10\%$ differential across each pair |
| | DCLKD_P, DCLKD_N | |
| | SCTRL_DP, SCTRL_DN | |

10.2.3 Trace Width, Spacing

Unless otherwise specified, TI recommends that all signals follow the 0.005-inch/0.005-inch design rule. Minimum trace clearance from the ground ring around the PWB has a 0.1-inch minimum. An analysis of impedance and stack-up requirements determine the actual trace widths and clearances.

10.2.3.1 Voltage Signals

表 10-3. Special Trace Widths, Spacing Requirements

| SIGNAL NAME | MINIMUM TRACE WIDTH TO PINS (MIL) | LAYOUT REQUIREMENT |
|----------------------------|-----------------------------------|---|
| GND | 15 | Maximize trace width to connecting pin |
| DMD_P3P3V | 15 | Maximize trace width to connecting pin |
| DMD_P1P8V | 15 | Maximize trace width to connecting pin |
| VOFFSET | 15 | Create mini plane from U2 to U3 |
| VRESET | 15 | Create mini plane from U2 to U3 |
| VBIAS | 15 | Create mini plane from U2 to U3 |
| All U3 control connections | 10 | Use 10 mil etch to connect all signals/voltages to DMD pads |

11 Device and Documentation Support

11.1 第三方产品免责声明

TI 发布的与第三方产品或服务有关的信息，不能构成与此类产品或服务或保修的适用性有关的认可，不能构成此类产品或服务单独或与任何 TI 产品或服务一起的表示或认可。

11.2 Device Support

11.2.1 Device Nomenclature

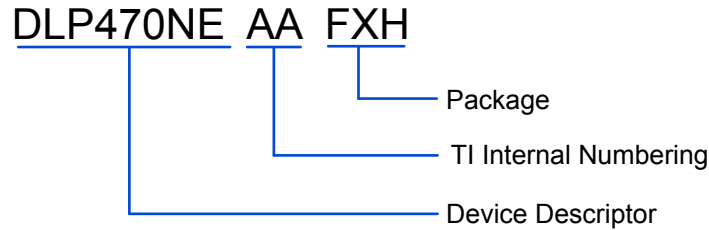


图 11-1. Part Number Description

11.2.2 Device Markings

The device marking includes both human-readable information and a 2-dimensional matrix code. The human-readable information is described in 图 11-2. The 2-dimensional matrix code is an alpha-numeric character string that contains the DMD part number, part 1 of serial number, and part 2 of serial number. The first character of the DMD Serial Number (part 1) is the manufacturing year. The second character of the DMD Serial Number (part 1) is the manufacturing month. The last character of the DMD Serial Number (part 2) is the bias voltage bin letter.

Example: *1910-543AB GHXXXXX LLLLLLM

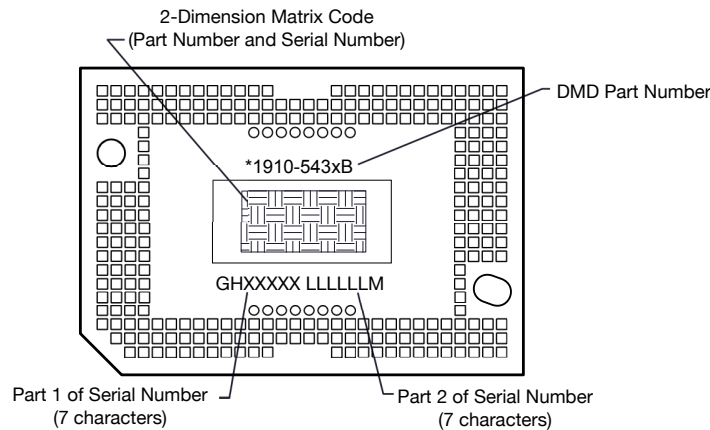


图 11-2. DMD Marking Locations

11.3 Documentation Support

11.3.1 Related Documentation

The following documents contain additional information related to the chipset components used with the DLP470NE.

- [DLPC4430 Display Controller Data Sheet](#)
- [DLPA100 Power and Motor Driver Data Sheet](#)

11.4 Receiving Notification of Documentation Updates

To receive notification of documentation updates, navigate to the device product folder on ti.com. In the upper right corner, click on *Alert me* to register and receive a weekly digest of any product information that has changed. For change details, review the revision history included in any revised document.

11.5 支持资源

TI E2E™ 支持论坛是工程师的重要参考资料，可直接从专家获得快速、经过验证的解答和设计帮助。搜索现有解答或提出自己的问题可获得所需的快速设计帮助。

链接的内容由各个贡献者“按原样”提供。这些内容并不构成 TI 技术规范，并且不一定反映 TI 的观点；请参阅 TI 的《[使用条款](#)》。

11.6 Trademarks

TI E2E™ is a trademark of Texas Instruments.

DLP® is a registered trademark of Texas Instruments.

所有商标均为其各自所有者的财产。

11.7 静电放电警告



静电放电 (ESD) 会损坏这个集成电路。德州仪器 (TI) 建议通过适当的预防措施处理所有集成电路。如果不遵守正确的处理和安装程序，可能会损坏集成电路。

ESD 的损坏小至导致微小的性能降级，大至整个器件故障。精密的集成电路可能更容易受到损坏，这是因为非常细微的参数更改都可能会导致器件与其发布的规格不相符。

11.8 术语表

TI 术语表 本术语表列出并解释了术语、首字母缩略词和定义。

Mechanical, Packaging, and Orderable Information

The following pages include mechanical, packaging, and orderable information. This information is the most current data available for the designated devices. This data is subject to change without notice and revision of this document. For browser-based versions of this data sheet, refer to the left-hand navigation.

PACKAGING INFORMATION

| Orderable Device | Status (1) | Package Type | Package Drawing | Pins | Package Qty | Eco Plan (2) | Lead finish/ Ball material (6) | MSL Peak Temp (3) | Op Temp (°C) | Device Marking (4/5) | Samples |
|------------------|---------------|--------------|-----------------|------|-------------|-----------------|--------------------------------------|----------------------|--------------|-------------------------|---------|
| DLP470NEAAFHX | ACTIVE | CLGA | FXH | 257 | 33 | RoHS & Green | Call TI | N / A for Pkg Type | 0 to 70 | | Samples |

(1) The marketing status values are defined as follows:

ACTIVE: Product device recommended for new designs.

LIFEBUY: TI has announced that the device will be discontinued, and a lifetime-buy period is in effect.

NRND: Not recommended for new designs. Device is in production to support existing customers, but TI does not recommend using this part in a new design.

PREVIEW: Device has been announced but is not in production. Samples may or may not be available.

OBSELETE: TI has discontinued the production of the device.

(2) **RoHS:** TI defines "RoHS" to mean semiconductor products that are compliant with the current EU RoHS requirements for all 10 RoHS substances, including the requirement that RoHS substance do not exceed 0.1% by weight in homogeneous materials. Where designed to be soldered at high temperatures, "RoHS" products are suitable for use in specified lead-free processes. TI may reference these types of products as "Pb-Free".

RoHS Exempt: TI defines "RoHS Exempt" to mean products that contain lead but are compliant with EU RoHS pursuant to a specific EU RoHS exemption.

Green: TI defines "Green" to mean the content of Chlorine (Cl) and Bromine (Br) based flame retardants meet JS709B low halogen requirements of <=1000ppm threshold. Antimony trioxide based flame retardants must also meet the <=1000ppm threshold requirement.

(3) MSL, Peak Temp. - The Moisture Sensitivity Level rating according to the JEDEC industry standard classifications, and peak solder temperature.

(4) There may be additional marking, which relates to the logo, the lot trace code information, or the environmental category on the device.

(5) Multiple Device Markings will be inside parentheses. Only one Device Marking contained in parentheses and separated by a "-" will appear on a device. If a line is indented then it is a continuation of the previous line and the two combined represent the entire Device Marking for that device.

(6) Lead finish/Ball material - Orderable Devices may have multiple material finish options. Finish options are separated by a vertical ruled line. Lead finish/Ball material values may wrap to two lines if the finish value exceeds the maximum column width.

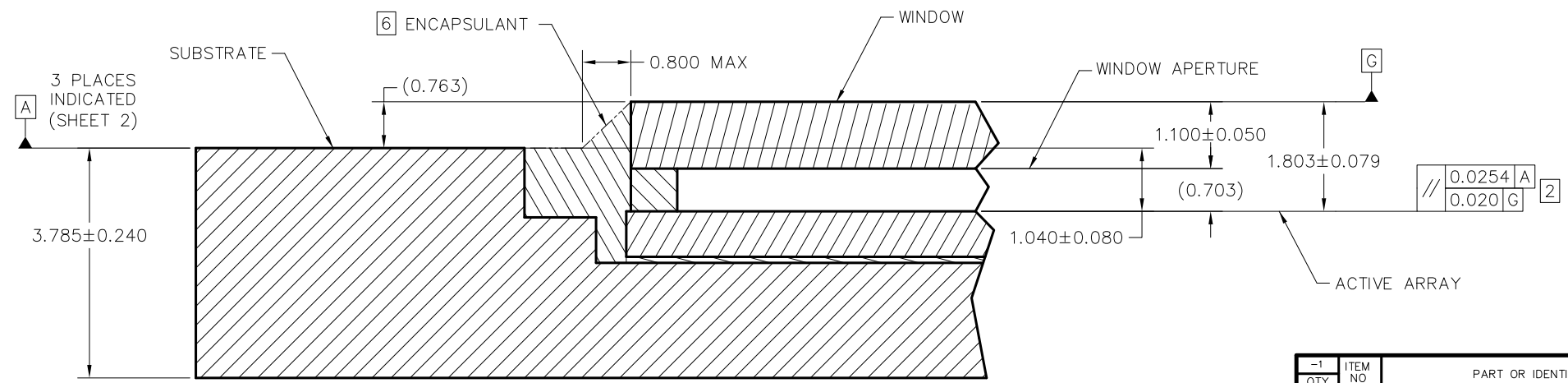
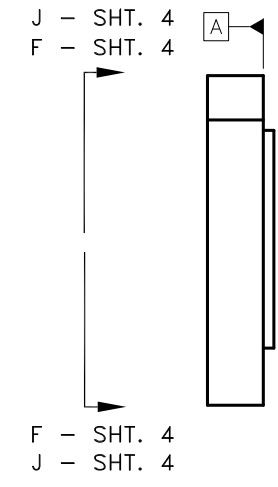
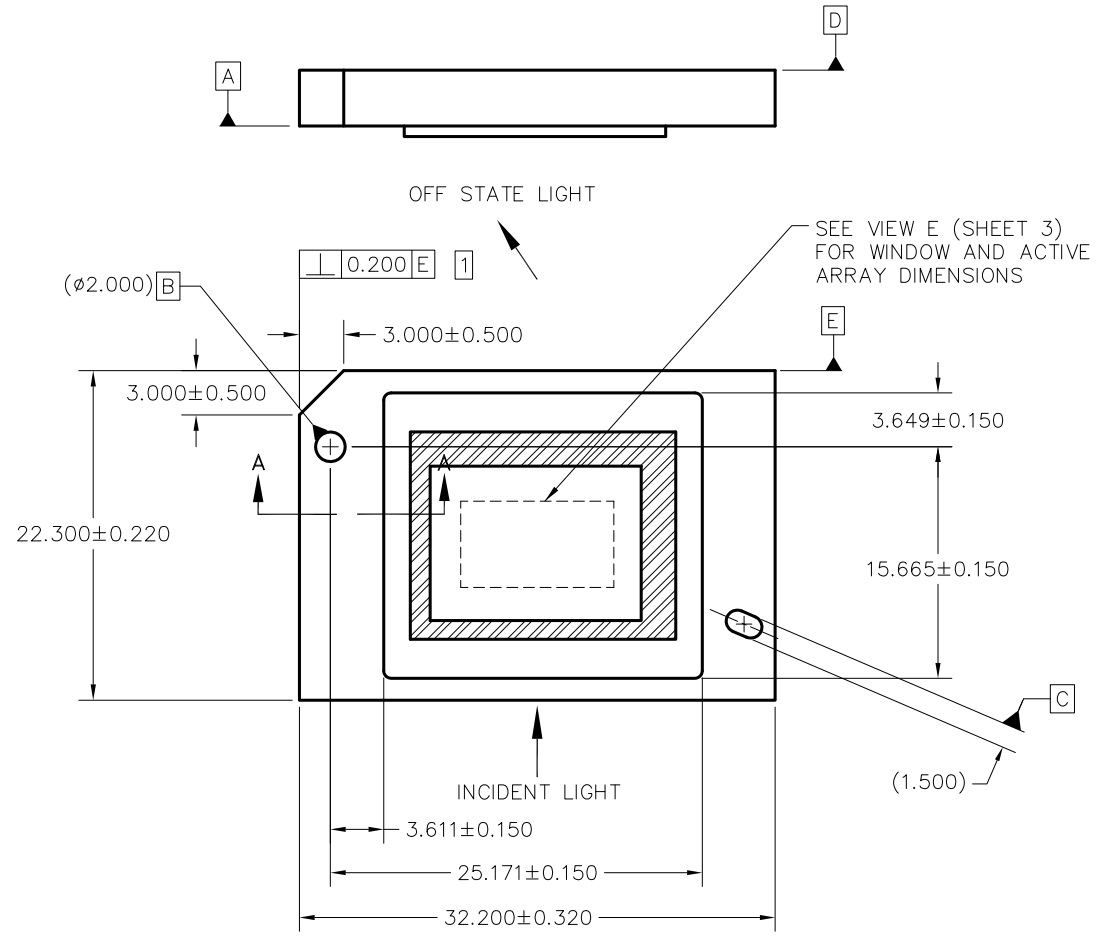
Important Information and Disclaimer:The information provided on this page represents TI's knowledge and belief as of the date that it is provided. TI bases its knowledge and belief on information provided by third parties, and makes no representation or warranty as to the accuracy of such information. Efforts are underway to better integrate information from third parties. TI has taken and continues to take reasonable steps to provide representative and accurate information but may not have conducted destructive testing or chemical analysis on incoming materials and chemicals. TI and TI suppliers consider certain information to be proprietary, and thus CAS numbers and other limited information may not be available for release.

In no event shall TI's liability arising out of such information exceed the total purchase price of the TI part(s) at issue in this document sold by TI to Customer on an annual basis.

| REVISIONS | | | |
|-----------|------------------------------|------------|--------------|
| REV | DESCRIPTION | DATE | APPROVED |
| A | ECO 2174191, INITIAL RELEASE | 05/11/2018 | F. ARMSTRONG |

NOTES: UNLESS OTHERWISE SPECIFIED:

- 1 SUBSTRATE EDGE PERPENDICULARITY TOLERANCE APPLIES TO ENTIRE SURFACE
- 2 DIE PARALLELISM TOLERANCE APPLIES TO DMD ACTIVE ARRAY ONLY
- 3 ROTATION ANGLE OF DMD ACTIVE ARRAY IS A REFINEMENT OF THE LOCATION TOLERANCE AND HAS A MAXIMUM ALLOWED VALUE OF 0.8 DEGREES
- 4 SUBSTRATE SYMBOLIZATION PAD, AND PLATING AT BOTTOM OF DATUMS B AND C HOLES TO BE ELECTRICALLY CONNECTED TO VSS PLANE WITHIN THE SUBSTRATE
- 5 BOUNDARY MIRRORS SURROUNDING THE DMD ACTIVE AREA
- 6 MAXIMUM ENCAPSULANT PROFILE SHOWN
- 7 ENCAPSULANT ALLOWED ON THE SURFACE OF THE CERAMIC IN THE AREA SHOWN IN VIEW B (SHEET 2). ENCAPSULANT SHALL NOT EXCEED 0.200 THICKNESS MAXIMUM.
- 8 SUBSTRATES PLATED WITH Ni/Au SHALL HAVE THE THREE-DIGIT NUMERICAL MARKING IN THE AREA TO THE LEFT OF THE SYMBOLIZATION PAD. SUBSTRATES PLATED WITH Ni/Pd/Au SHALL HAVE THE MARKING IN THE AREA TO THE RIGHT OF THE SYMBOLIZATION PAD.

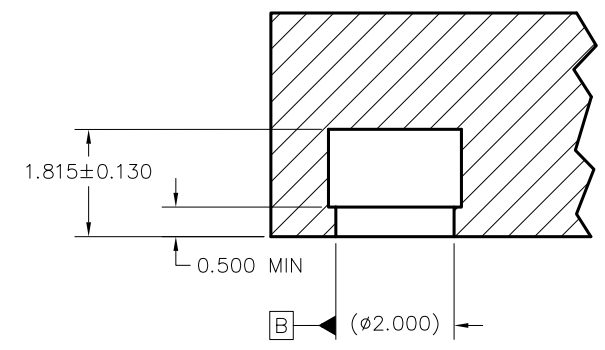
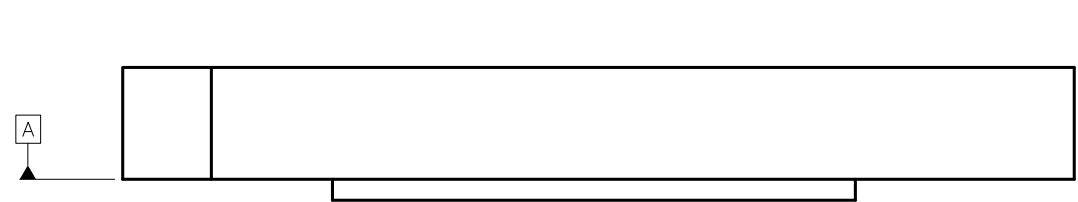


SECTION A-A
SCALE 20/1

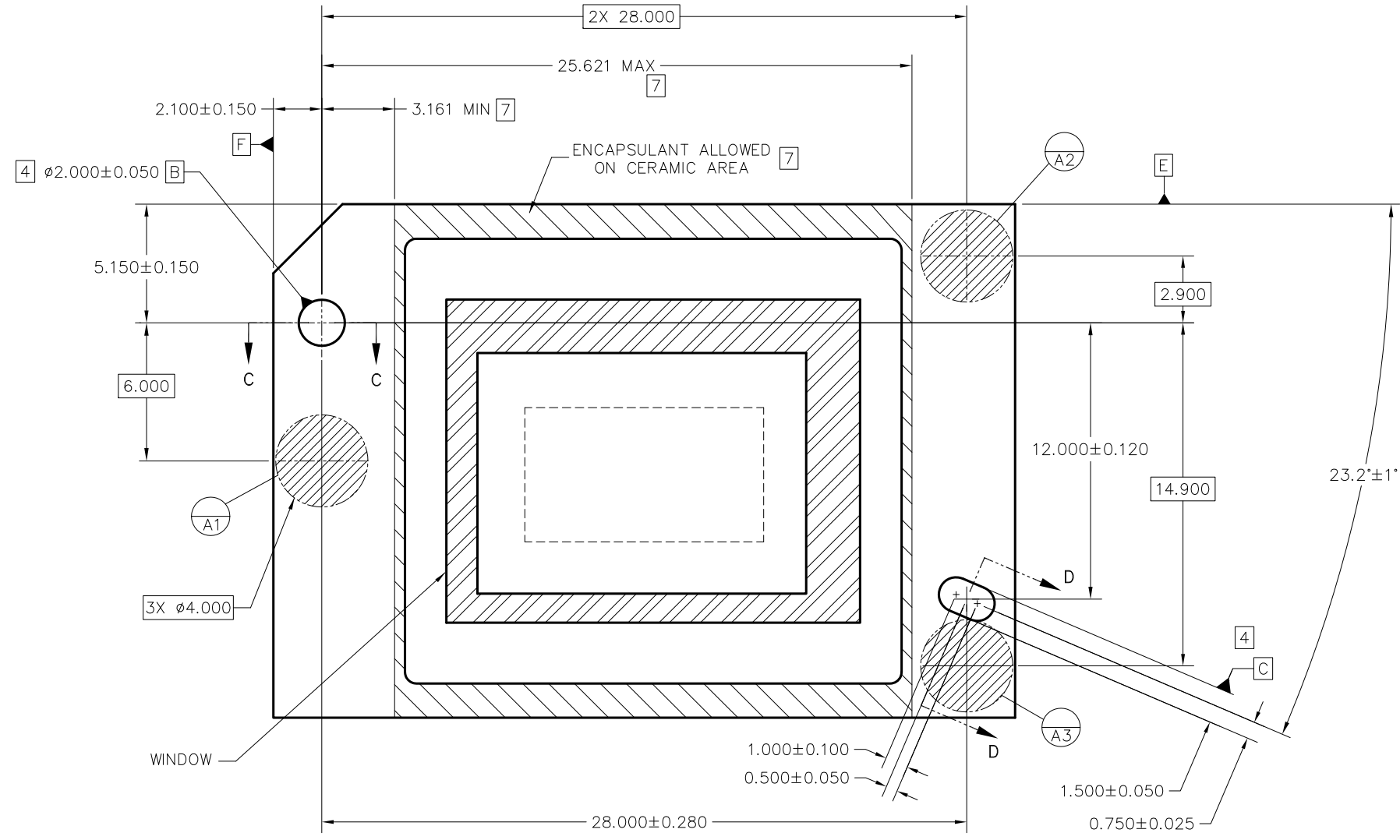
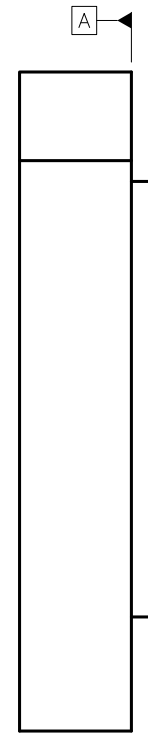
| QTY | ITEM NO | PART OR IDENTIFYING NUMBER | NOMENCLATURE OR DESCRIPTION | NOTES |
|-----|---------|----------------------------|-----------------------------|-------|
| -1 | | | | |

| PARTS LIST | | DATE | | DATE | |
|------------|--------------|------------|--|------|--|
| DWN | F. ARMSTRONG | 05/11/2018 | | | |
| ENGR | F. ARMSTRONG | 05/11/2018 | | | |
| QA | P. KONRAD | 05/11/2018 | | | |
| COE | M. DORAK | 05/11/2018 | | | |

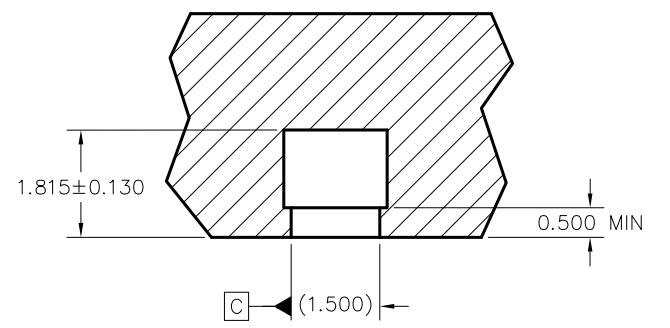
| | | | |
|--|---------|---|--------------------|
| UNLESS OTHERWISE SPECIFIED DIMENSIONS ARE IN MILLIMETERS TOLERANCES: ANGLES ± 1° 2 PLACE DECIMALS ±0.25 3 PLACE DECIMALS ±0.50 | | TEXAS INSTRUMENTS Dallas, Texas | |
| REMOVE ALL BURRS AND SHARP EDGES INTERPRET DIMENSIONS IN ACCORDANCE WITH ASME Y14.5-1994 DIMENSIONAL LIMITS APPLY BEFORE PROCESSES PARENTHEICAL INFO FOR REF ONLY | | ICD, MECHANICAL, DMD .47" 1080p MTRP 2xLVDS HB C SERIES 410 (FXH PACKAGE) | |
| THIRD ANGLE PROJECTION | NONE | 0314DA | SIZE B |
| NEXT ASSY | USED ON | APPLICATION | DRAWING NO 2516206 |
| | | | REV A |
| | | | SCALE 4/1 |
| | | | SHEET 1 OF 4 |



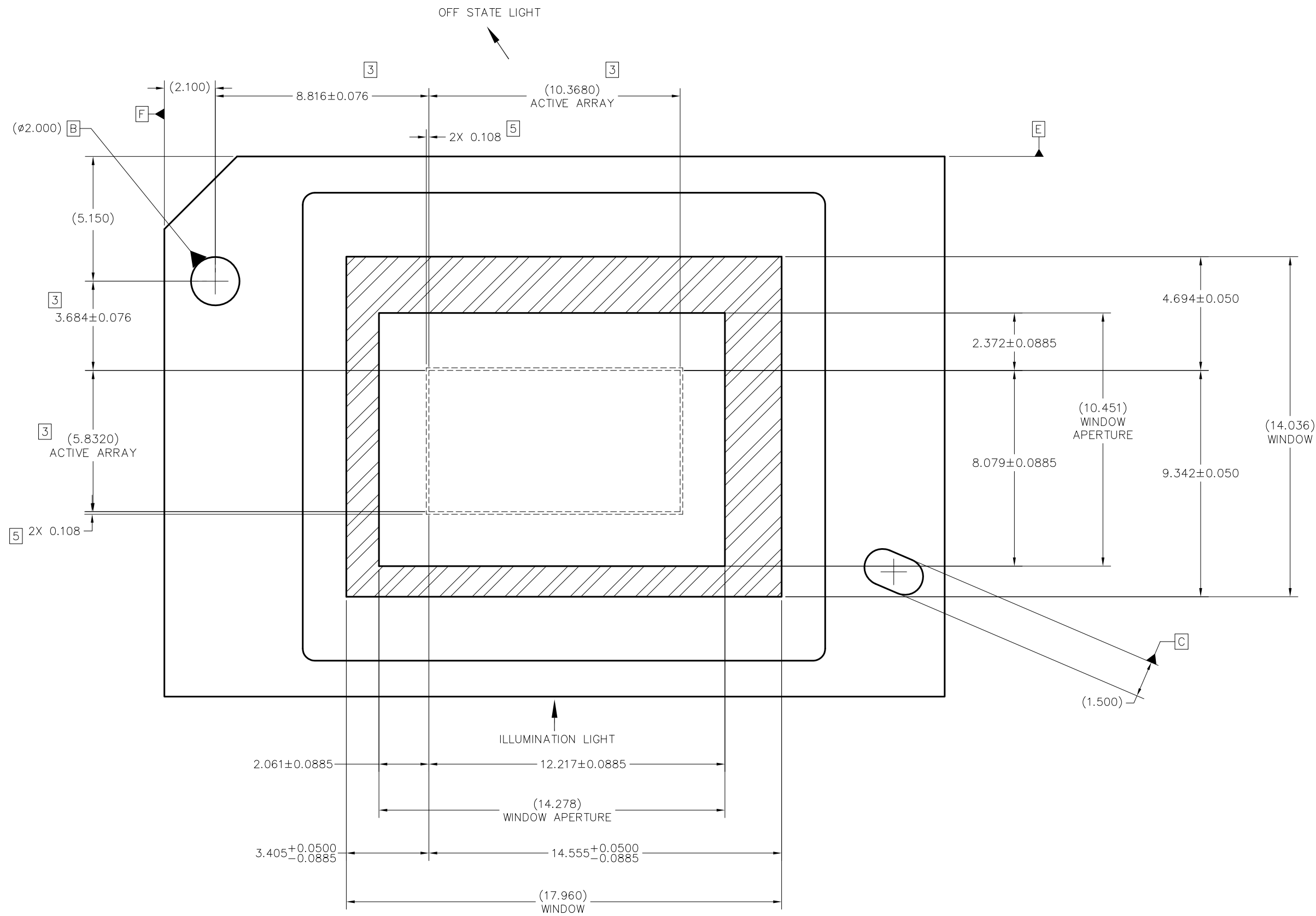
SECTION C-C
DATUM B
SCALE 16/1



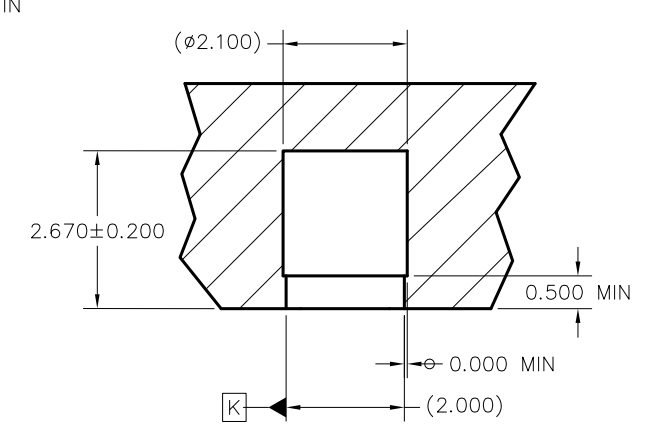
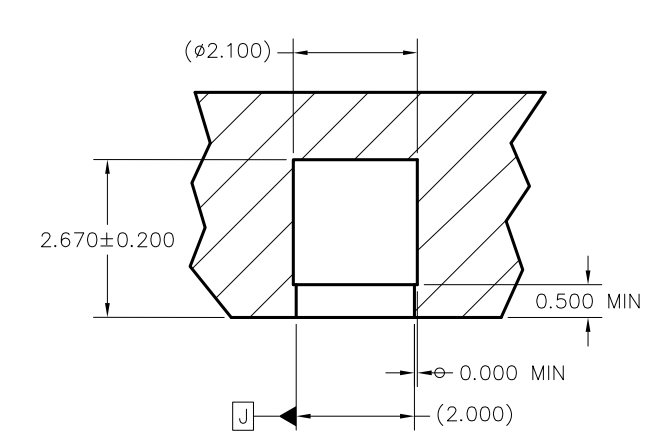
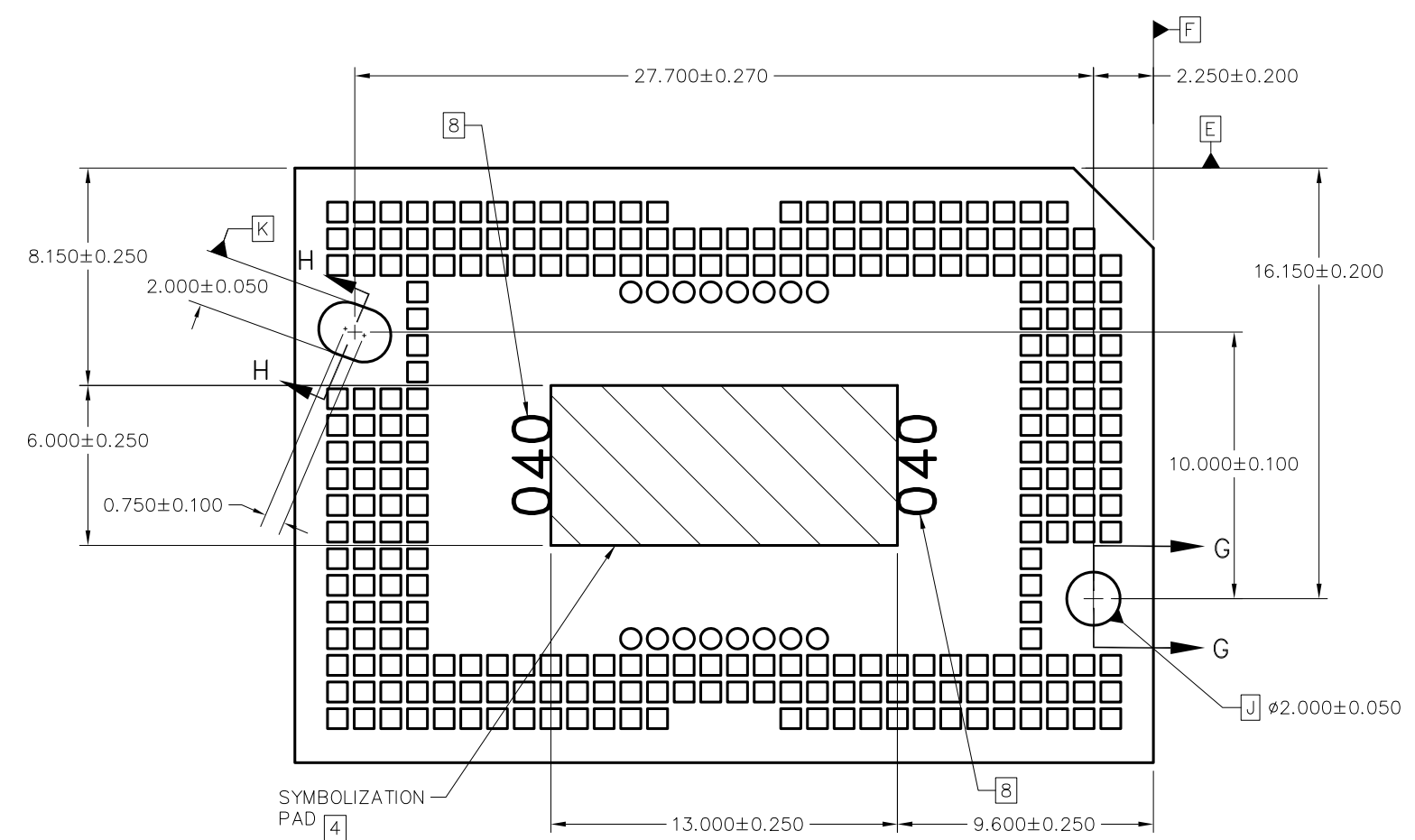
VIEW B
DATUMS AND ENCAPSULANT ALLOWABLE AREA
SCALE 8/1



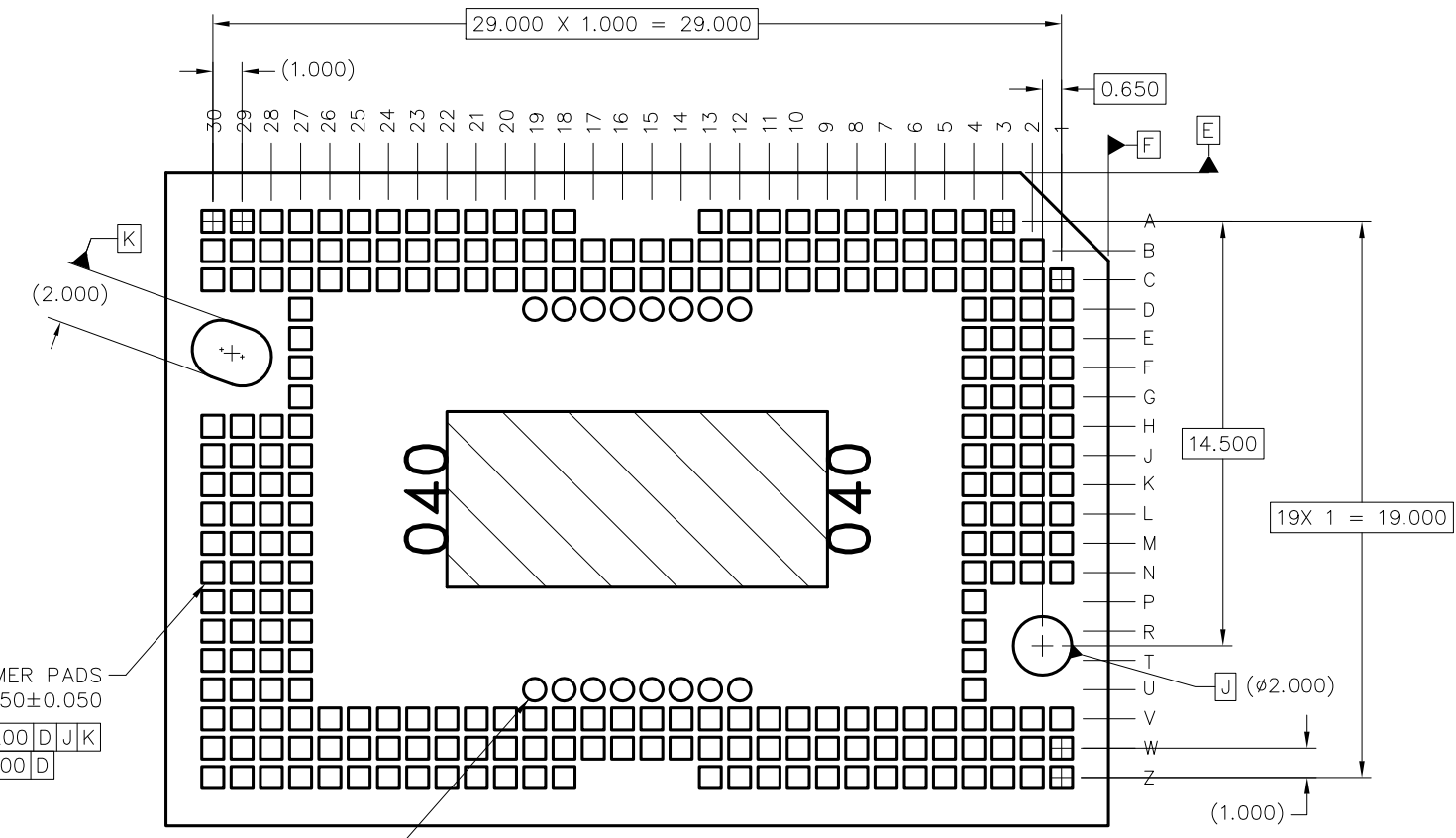
SECTION D-D
DATUM C
SCALE 16/1



VIEW E (SHEET 1)
 DMD WINDOW AND ACTIVE ARRAY
 SCALE 12:1



VIEW F-F (SHEET 1)
DATUMS J AND K, SYMBOLIZATION PAD
SCALE 8/1



257X LGA CUSTOMER PADS
0.750±0.050 X 0.750±0.050

| | | | | |
|---|-------|---|---|---|
| ø | 0.200 | D | J | K |
| | 0.100 | D | | |

16X LGA TEST PADS
DO NOT CONNECT

VIEW J-J (SHEET 1)
LGA PADS
SCALE 8/1

重要声明和免责声明

TI“按原样”提供技术和可靠性数据（包括数据表）、设计资源（包括参考设计）、应用或其他设计建议、网络工具、安全信息和其他资源，不保证没有瑕疵且不做任何明示或暗示的担保，包括但不限于对适销性、某特定用途方面的适用性或不侵犯任何第三方知识产权的暗示担保。

这些资源可供使用 TI 产品进行设计的熟练开发人员使用。您将自行承担以下全部责任：(1) 针对您的应用选择合适的 TI 产品，(2) 设计、验证并测试您的应用，(3) 确保您的应用满足相应标准以及任何其他功能安全、信息安全、监管或其他要求。

这些资源如有变更，恕不另行通知。TI 授权您仅可将这些资源用于研发本资源所述的 TI 产品的应用。严禁对这些资源进行其他复制或展示。您无权使用任何其他 TI 知识产权或任何第三方知识产权。您应全额赔偿因在这些资源的使用中对 TI 及其代表造成的任何索赔、损害、成本、损失和债务，TI 对此概不负责。

TI 提供的产品受 [TI 的销售条款](#) 或 [ti.com](#) 上其他适用条款/TI 产品随附的其他适用条款的约束。TI 提供这些资源并不会扩展或以其他方式更改 TI 针对 TI 产品发布的适用的担保或担保免责声明。

TI 反对并拒绝您可能提出的任何其他或不同的条款。

邮寄地址：Texas Instruments, Post Office Box 655303, Dallas, Texas 75265

Copyright © 2023，德州仪器 (TI) 公司