

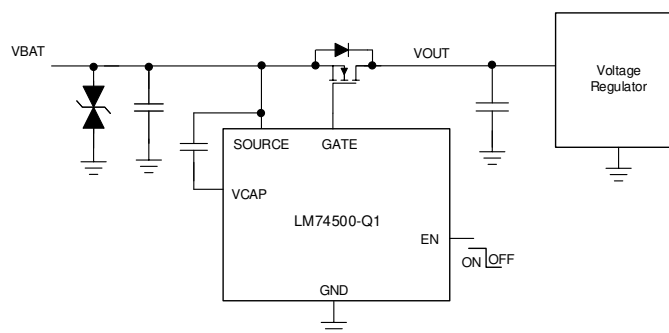
LM74500-Q1 反极性保护控制器

1 特性

- 具有符合 AEC-Q100 标准的下列特性
 - 器件温度等级 1 :
 - 40°C 至 +125°C 环境工作温度范围
 - 器件 HBM ESD 分类等级 2
 - 器件 CDM ESD 分类等级 C4B
- 3.2V 至 65V 输入范围 (3.9V 启动)
- -65V 输入反向电压额定值
- 适用于外部 N 沟道 MOSFET 的电荷泵
- 使能引脚特性
- 1 μ A 关断电流 (EN = 低电平)
- 80 μ A 典型工作静态电流 (EN = 高电平)
- 采用额外的 TVS 二极管, 符合汽车 ISO7637 脉冲 1 瞬态要求
- 采用 8 引脚 SOT-23 封装 2.90mm \times 1.60mm

2 应用

- 车身电子装置和照明
- 汽车信息娱乐系统 - 数字仪表组、音响主机
- 汽车 USB 集线器
- 工业工厂自动化 - PLC



LM74500-Q1 典型应用原理图

3 说明

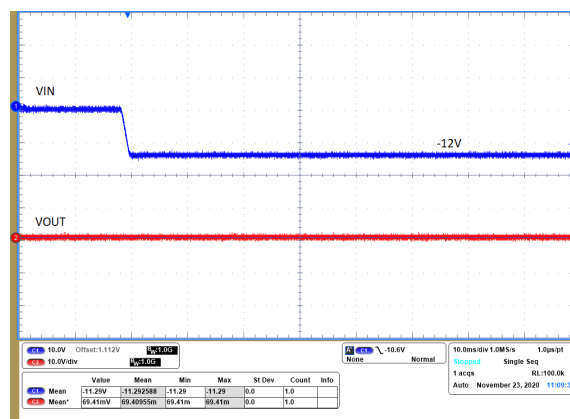
LM74500-Q1 是一款符合汽车 AEC Q100 标准的控制器，与外部 N 沟道 MOSFET 配合工作，可作为实现低损耗反极性保护的解决方案。3.2V 至 65V 的宽电源输入范围可实现对众多常用直流总线电压（例如：12V、24V 和 48V 汽车电池系统）的控制。3.2V 输入电压支持适用于汽车系统中严苛的冷启动要求。该器件可以承受并保护负载免受低至 -65V 的负电源电压的影响。LM74500-Q1 没有反向电流阻断功能，适用于对有可能将能量传输回输入电源的负载（如汽车车身控制模块电机负载）进行输入反向极性保护。

LM74500-Q1 控制器可提供适用于外部 N 沟道 MOSFET 的电荷泵栅极驱动器。LM74500-Q1 的高电压额定值有助于简化满足 ISO7637 汽车保护测试标准的系统设计。当使能引脚处于低电平时，控制器关闭，消耗大约 1 μ A 的电流，从而在进入睡眠模式时提供低系统电流。

器件信息(1)

器件型号	封装	封装尺寸 (标称值)
LM74500-Q1	SOT-23 (8)	2.90mm \times 1.60mm

(1) 如需了解所有可用封装，请参阅数据表末尾的可订购产品附录。



利用 -12V 电源启动 LM74500-Q1



Table of Contents

1 特性	1	9 Application and Implementation	12
2 应用	1	9.1 Reverse Battery Protection for Automotive Body Control Module Applications.....	12
3 说明	1	9.2 Reverse Polarity Protection.....	14
4 Revision History	2	9.3 Application Information.....	16
5 Pin Configuration and Functions	3	10 Power Supply Recommendations	20
6 Specifications	4	11 Layout	20
6.1 Absolute Maximum Ratings	4	11.1 Layout Guidelines.....	20
6.2 ESD Ratings	4	11.2 Layout Example.....	20
6.3 Recommended Operating Conditions	4	12 Device and Documentation Support	21
6.4 Thermal Information	4	12.1 接收文档更新通知.....	21
6.5 Electrical Characteristics	5	12.2 支持资源.....	21
6.6 Switching Characteristics	6	12.3 Trademarks.....	21
7 Typical Characteristics	7	12.4 静电放电警告.....	21
8 Detailed Description	9	12.5 术语表.....	21
8.1 Overview.....	9	13 Mechanical, Packaging, and Orderable Information	22
8.2 Functional Block Diagram.....	9		
8.3 Feature Description.....	9		
8.4 Device Functional Modes.....	11		

4 Revision History

注：以前版本的页码可能与当前版本的页码不同

DATE	REVISION	NOTES
December 2020	*	Initial release.

5 Pin Configuration and Functions

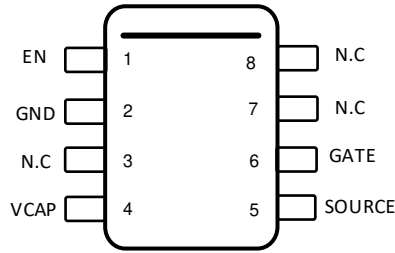


图 5-1. DDF Package 8-Pin SOT-23 LM74500-Q1 Top View

表 5-1. LM74500-Q1 Pin Functions

PIN		I/O ⁽¹⁾	DESCRIPTION
NO.	NAME		
1	EN	I	Enable pin. Can be connected to SOURCE for always ON operation
2	GND	G	Ground pin
3	N.C	-	No connection
4	VCAP	O	Charge pump output. Connect to external charge pump capacitor
5	SOURCE	I	Input supply pin to the controller. Connect to the source of the external N-channel MOSFET
6	GATE	O	Gate drive output. Connect to gate of the external N-channel MOSFET
7	N.C	-	No connection
8	N.C	-	No connection

(1) I = Input, O = Output, G = GND

6 Specifications

6.1 Absolute Maximum Ratings

over operating free-air temperature range (unless otherwise noted)⁽¹⁾

		MIN	MAX	UNIT
Input Pins	SOURCE to GND	- 65	65	V
	EN to GND, $V_{(SOURCE)} > 0$ V	- 0.3	65	V
	EN to GND, $V_{(SOURCE)} \leq 0$ V	$V_{(SOURCE)}$	$(65 + V_{(SOURCE)})$	V
Output Pins	GATE to SOURCE	- 0.3	15	V
	VCAP to SOURCE	- 0.3	15	V
Operating junction temperature ⁽²⁾		- 40	150	°C
Storage temperature, T_{stg}		- 40	150	°C

- (1) Stresses beyond those listed under Absolute Maximum Ratings may cause permanent damage to the device. These are stress ratings only, which do not imply functional operation of the device at these or any other conditions beyond those indicated under Recommended Operating Conditions. Exposure to absolute-maximum-rated conditions for extended periods may affect device reliability.
- (2) High junction temperatures degrade operating lifetimes. Operating lifetime is de-rated for junction temperatures greater than 125°C.

6.2 ESD Ratings

			VALUE	UNIT	
$V_{(ESD)}$	Electrostatic discharge	Human body model (HBM), per AEC Q100-002 ⁽¹⁾	±2000	V	
		Charged device model (CDM), per AEC Q100-011	Corner pins (EN, VCAP, SOURCE, NC)		±750
			Other pins		±500

- (1) JEDEC document JEP155 states that 500-V HBM allows safe manufacturing with a standard ESD control process.

6.3 Recommended Operating Conditions

over operating free-air temperature range (unless otherwise noted)⁽¹⁾

		MIN	NOM	MAX	UNIT
Input Pins	SOURCE to GND	- 60		60	V
	EN to GND	- 60		60	
External capacitance	SOURCE	22			nF
	VCAP to SOURCE	0.1			µF
External MOSFET max V_{GS} rating	GATE to SOURCE	15			V
T_J	Operating junction temperature range ⁽²⁾	- 40		150	°C

- (1) Recommended Operating Conditions are conditions under which the device is intended to be functional. For specifications and test conditions, see *electrical characteristics*.
- (2) High junction temperatures degrade operating lifetimes. Operating lifetime is de-rated for junction temperatures greater than 125°C.

6.4 Thermal Information

THERMAL METRIC ⁽¹⁾		LM74500-Q1	UNIT
		DDF (SOT)	
		8 PINS	
$R_{\theta JA}$	Junction-to-ambient thermal resistance	133.8	°C/W
$R_{\theta JC(top)}$	Junction-to-case (top) thermal resistance	72.6	°C/W
$R_{\theta JB}$	Junction-to-board thermal resistance	54.5	°C/W
Ψ_{JT}	Junction-to-top characterization parameter	4.6	°C/W

6.4 Thermal Information (continued)

THERMAL METRIC ⁽¹⁾		LM74500-Q1	UNIT
		DDF (SOT)	
		8 PINS	
Ψ_{JB}	Junction-to-board characterization parameter	54.2	°C/W

(1) For more information about traditional and new thermal metrics, see the Semiconductor and IC Package Thermal Metrics application report, SPRA953.

6.5 Electrical Characteristics

$T_J = -40^{\circ}\text{C}$ to $+125^{\circ}\text{C}$; typical values at $T_J = 25^{\circ}\text{C}$, $V_{(\text{SOURCE})} = 12\text{ V}$, $C_{(\text{VCAP})} = 0.1\ \mu\text{F}$, $V_{(\text{EN})} = 3.3\text{ V}$, over operating free-air temperature range (unless otherwise noted)

PARAMETER		TEST CONDITIONS	MIN	TYP	MAX	UNIT
V_{SOURCE} SUPPLY VOLTAGE						
$V_{(\text{SOURCE})}$	Operating input voltage		4		60	V
$V_{(\text{SOURCE POR})}$	V _{SOURCE} POR Rising threshold				3.9	V
	V _{SOURCE} POR Falling threshold		2.2	2.8	3.1	V
$V_{(\text{SOURCE POR(Hys)})}$	V _{SOURCE} POR Hysteresis		0.44		0.67	V
$I_{(\text{SHDN})}$	Shutdown Supply Current	$V_{(\text{EN})} = 0\text{ V}$		0.9	1.5	μA
$I_{(\text{Q})}$	Operating Quiescent Current			80	130	μA
ENABLE INPUT						
$V_{(\text{EN_IL})}$	Enable input low threshold		0.5	0.9	1.22	V
$V_{(\text{EN_IH})}$	Enable input high threshold		1.06	2	2.6	
$V_{(\text{EN_Hys})}$	Enable Hysteresis		0.52		1.35	V
$I_{(\text{EN})}$	Enable sink current	$V_{(\text{EN})} = 12\text{ V}$		3	5	μA
GATE DRIVE						
$I_{(\text{GATE})}$	Peak source current	$V_{(\text{GATE})} - V_{(\text{SOURCE})} = 5\text{ V}$	3	11		mA
	Peak sink current	EN= High to Low $V_{(\text{GATE})} - V_{(\text{SOURCE})} = 5\text{ V}$		2370		mA
$R_{\text{DS(ON)}}$	discharge switch $R_{\text{DS(ON)}}$	EN = High to Low $V_{(\text{GATE})} - V_{(\text{SOURCE})} = 100\text{ mV}$	0.4		2	Ω
CHARGE PUMP						
$I_{(\text{VCAP})}$	Charge Pump source current (Charge pump on)	$V_{(\text{VCAP})} - V_{(\text{SOURCE})} = 7\text{ V}$	162	300	600	μA
	Charge Pump sink current (Charge pump off)	$V_{(\text{VCAP})} - V_{(\text{SOURCE})} = 14\text{ V}$		5	10	μA
$V_{(\text{VCAP})} - V_{(\text{SOURCE})}$	Charge pump voltage at $V_{(\text{SOURCE})} = 3.2\text{ V}$	$I_{(\text{VCAP})} \leq 30\ \mu\text{A}$	8			V
$V_{(\text{VCAP})} - V_{(\text{SOURCE})}$	Charge pump turn on voltage		10.3	11.6	13	V
$V_{(\text{VCAP})} - V_{(\text{SOURCE})}$	Charge pump turn off voltage		11	12.4	13.9	V
$V_{(\text{VCAP})} - V_{(\text{SOURCE})}$	Charge Pump Enable comparator Hysteresis		0.4	0.8	1.2	V
$V_{(\text{VCAP UVLO})}$	$V_{(\text{VCAP})} - V_{(\text{SOURCE})}$ UV release at rising edge		5.7	6.5	7.5	V
$V_{(\text{VCAP UVLO})}$	$V_{(\text{VCAP})} - V_{(\text{SOURCE})}$ UV threshold at falling edge		5.05	5.4	6.2	V

6.6 Switching Characteristics

$T_J = -40^\circ\text{C}$ to $+125^\circ\text{C}$; typical values at $T_J = 25^\circ\text{C}$, $V_{(\text{SOURCE})} = 12\text{ V}$, $C_{\text{IN}} = C_{(\text{VCAP})} = C_{\text{OUT}} = 0.1\ \mu\text{F}$, $V_{(\text{EN})} = 3.3\text{ V}$, over operating free-air temperature range (unless otherwise noted)

PARAMETER		TEST CONDITIONS	MIN	TYP	MAX	UNIT
EN_{TDLY}	Enable (low to high) to Gate Turn On delay	$V_{(\text{VCAP})} > V_{(\text{VCAP UVLOR})}$		75	110	μs

7 Typical Characteristics

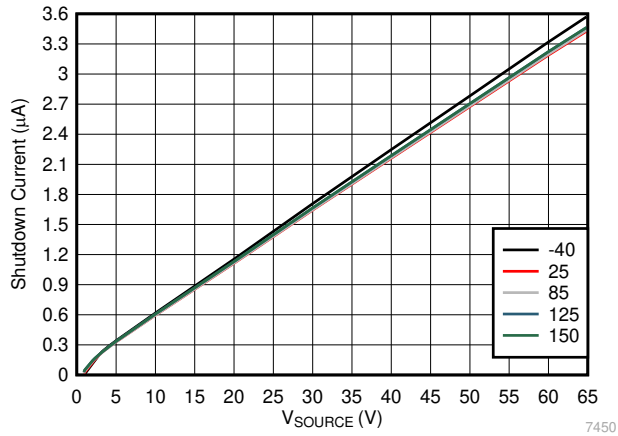


图 7-1. Shutdown Supply Current vs Supply Voltage

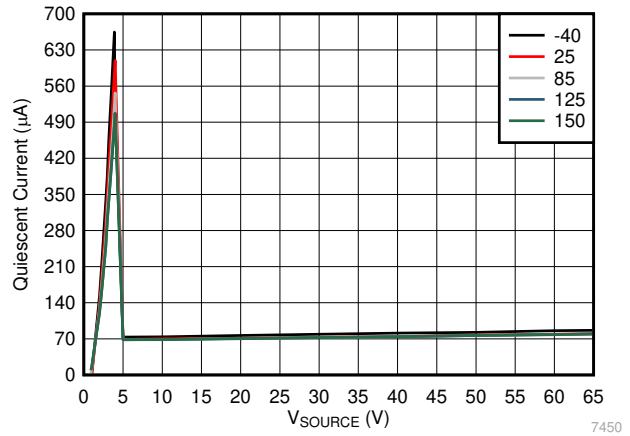


图 7-2. Operating Quiescent Current vs Supply Voltage

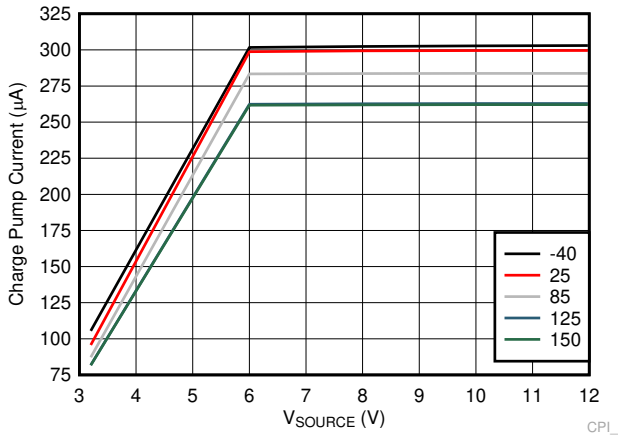


图 7-3. Charge Pump Current vs Supply Voltage at $V_{CAP} = 6\text{ V}$

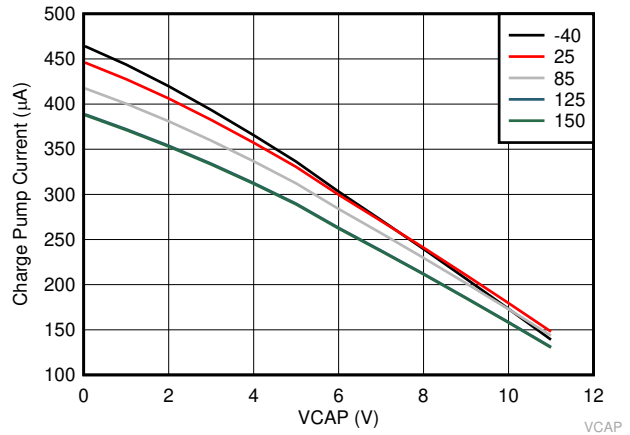


图 7-4. Charge Pump V-I Characteristics at $V_{SOURCE} \geq 12\text{ V}$

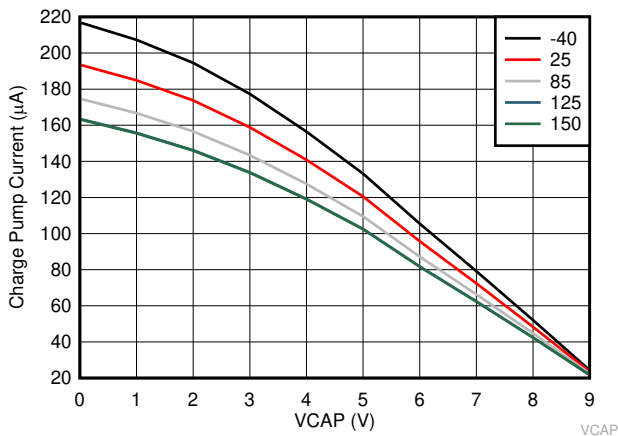


图 7-5. Charge Pump V-I Characteristics at $V_{SOURCE} = 3.2\text{ V}$

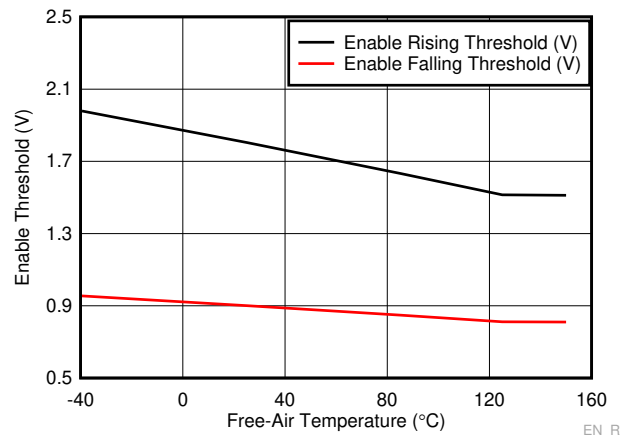
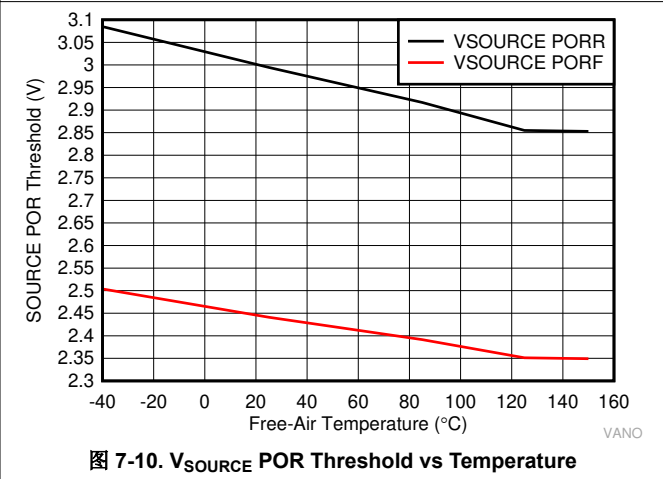
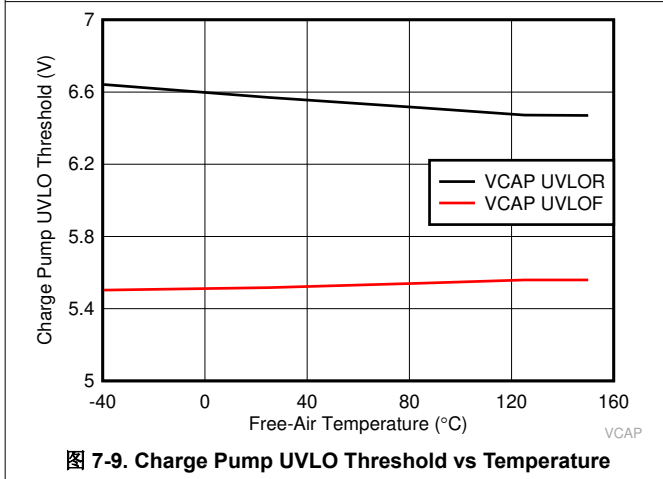
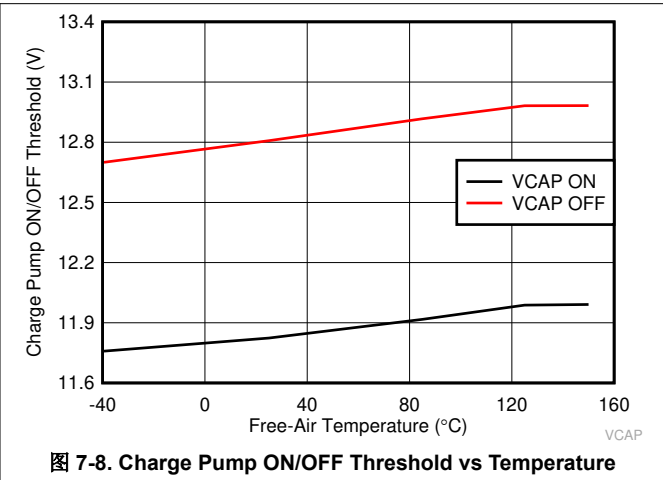
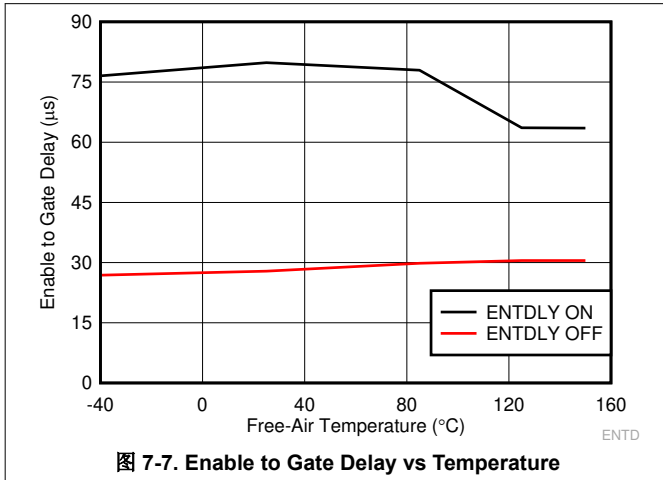


图 7-6. Enable Rising and Falling threshold vs Temperature

7 Typical Characteristics (continued)

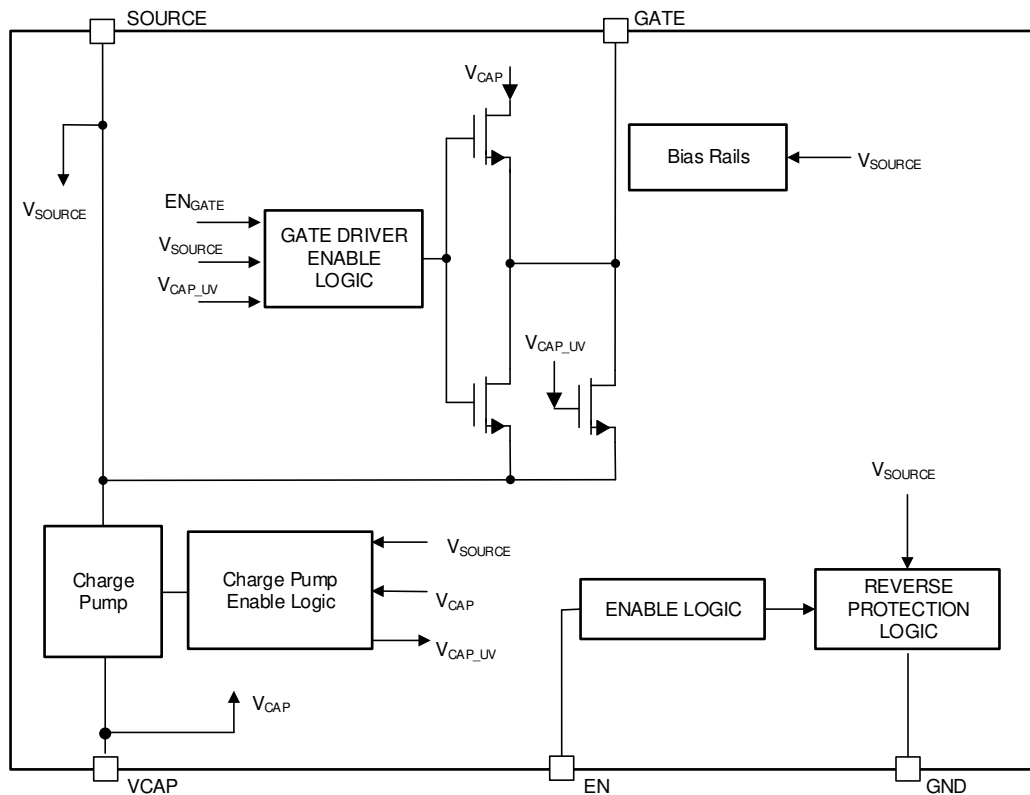


8 Detailed Description

8.1 Overview

The LM74500-Q1 controller has all the features necessary to implement an efficient and fast reverse polarity protection circuit. This easy to use reverse polarity protection controller is paired with an external N-channel MOSFET to replace other reverse polarity schemes such as a P-channel MOSFET. An internal charge pump is used to drive the external N-Channel MOSFET to a maximum gate drive voltage of approximately 15 V. An enable pin, EN is available to place the LM74500-Q1 in shutdown mode disabling the N-Channel MOSFET and minimizing the quiescent current.

8.2 Functional Block Diagram



8.3 Feature Description

8.3.1 Input Voltage

The SOURCE pin is used to power the LM74500-Q1's internal circuitry, typically drawing 80 μ A when enabled and 1 μ A when disabled. If the SOURCE pin voltage is greater than the POR Rising threshold, then LM74500-Q1 operates in either shutdown mode or conduction mode in accordance with the EN pin voltage. The voltage from SOURCE to GND is designed to vary from 65 V to -65 V, allowing the LM74500-Q1 to withstand negative voltage transients.

8.3.2 Charge Pump

The charge pump supplies the voltage necessary to drive the external N-channel MOSFET. An external charge pump capacitor is placed between VCAP and SOURCE pin to provide energy to turn on the external MOSFET.

In order for the charge pump to supply current to the external capacitor the EN pin voltage must be above the specified input high threshold, $V_{(EN_IH)}$. When enabled the charge pump sources a charging current of 300 μA typically. If EN pins is pulled low, then the charge pump remains disabled. To ensure that the external MOSFET can be driven above its specified threshold voltage, the VCAP to SOURCE voltage must be above the undervoltage lockout threshold, typically 6.5 V, before the internal gate driver is enabled. Use [方程式 1](#) to calculate the initial gate driver enable delay.

$$T_{(\text{DRV_EN})} = 75\mu\text{s} + C_{(\text{VCAP})} \times \frac{V_{(\text{VCAP_UVLOR})}}{300\mu\text{A}} \quad (1)$$

where

- $C_{(\text{VCAP})}$ is the charge pump capacitance connected across SOURCE and VCAP pins
- $V_{(\text{VCAP_UVLOR})} = 6.5 \text{ V}$ (typical)

To remove any chatter on the gate drive approximately 800 mV of hysteresis is added to the VCAP undervoltage lockout. The charge pump remains enabled until the VCAP to SOURCE voltage reaches 12.4 V, typically, at which point the charge pump is disabled decreasing the current draw on the SOURCE pin. The charge pump remains disabled until the VCAP to SOURCE voltage is below 11.6 V typically at which point the charge pump is enabled. The voltage between VCAP and SOURCE continue to charge and discharge between 11.6 V and 12.4 V as shown in [图 8-1](#). By enabling and disabling the charge pump, the operating quiescent current of the LM74500-Q1 is reduced. When the charge pump is disabled it sinks 5- μA typical.

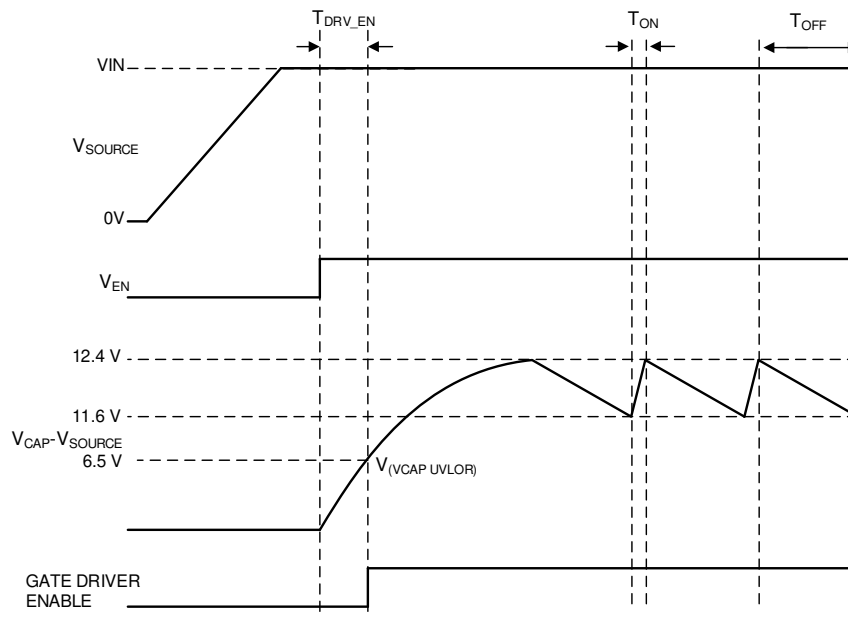


图 8-1. Charge Pump Operation

8.3.3 Gate Driver

The gate driver is used to control the external N-Channel MOSFET by setting the appropriate GATE to SOURCE voltage .

Before the gate driver is enabled following three conditions must be achieved:

- The EN pin voltage must be greater than the specified input high voltage.
- The VCAP to SOURCE voltage must be greater than the undervoltage lockout voltage.
- The SOURCE voltage must be greater than $V_{\text{SOURCE POR}}$ Rising threshold.

If the above conditions are not achieved, then the GATE pin is internally connected to the SOURCE pin, assuring that the external MOSFET is disabled. Once these conditions are achieved the gate driver operates in the conduction mode enhancing the external MOSFET completely.

8.3.4 Enable

The LM74500-Q1 has an enable pin, EN. The enable pin allows for the gate driver to be either enabled or disabled by an external signal. If the EN pin voltage is greater than the rising threshold, the gate driver and charge pump operates as described in [Gate Driver](#) and [Charge Pump](#) sections. If the enable pin voltage is less than the input low threshold, the charge pump and gate driver are disabled placing the LM74500-Q1 in shutdown mode. The EN pin can withstand a voltage as large as 65 V and as low as -65 V. This allows for the EN pin to be connected directly to the SOURCE pin if enable functionality is not needed. In conditions where EN is left floating, the internal sink current of 3 uA pulls EN pin low and disables the device.

8.4 Device Functional Modes

8.4.1 Shutdown Mode

The LM74500-Q1 enters shutdown mode when the EN pin voltage is below the specified input low threshold $V_{(EN_IL)}$. Both the gate driver and the charge pump are disabled in shutdown mode. During shutdown mode the LM74500-Q1 enters low I_Q operation with the SOURCE pin only sinking 1 μ A. When the LM74500-Q1 is in shutdown mode, forward current flow through the external MOSFET is not interrupted but is conducted through the MOSFET's body diode.

8.4.2 Conduction Mode

For the LM74500-Q1 to operate in conduction mode the gate driver must be enabled as described in the [Gate Driver](#) section. If these conditions are achieved the GATE pin is internally connected to the VCAP pin resulting in the GATE to SOURCE voltage being approximately the same as the VCAP to SOURCE voltage. By connecting VCAP to GATE the external MOSFET's $R_{DS(ON)}$ is minimized reducing the power loss of the external MOSFET when forward currents are large.

9 Application and Implementation


Note

Information in the following applications sections is not part of the TI component specification, and TI does not warrant its accuracy or completeness. TI's customers are responsible for determining suitability of components for their purposes, as well as validating and testing their design implementation to confirm system functionality.

9.1 Reverse Battery Protection for Automotive Body Control Module Applications

Reverse-battery protection activates when battery terminals are incorrectly connected during jump start, vehicle maintenance or service because a connection error can damage the components in ECUs if they are not rated to handle reverse polarity. An N-channel MOSFET (N-FET) based reverse polarity protection solutions are becoming obvious choice over discrete reverse-battery protection solutions like Schottky diodes and P-channel field-effect transistors (P-FETs) due to their better power and thermal efficiency and the comparatively smaller space they consume on a printed circuit board. Based on the application needs, reverse polarity protection solutions can be divided into two main categories

- Applications which need both input reverse polarity protection and reverse current blocking
- Applications which need only input reverse polarity protection and does not need reverse current blocking

 **9-1** provides an overview of these two reverse polarity protection solution categories. Typically for applications where output loads are DC/DC converters, voltage regulator followed by MCU/processors (Logic paths), input reverse polarity protection and reverse current blocking feature is required. For reverse polarity protection solution of the logic path ideal diode controllers such as [LM74700-Q1](#) is a suitable device.

For the applications such as Body Control Module (BCM) load driving paths, input reverse polarity protection is required but reverse current blocking is not a must have feature. For reverse polarity protection solution of the BCM load driving paths, reverse polarity protection controllers such as LM74500-Q1 is a suitable device.

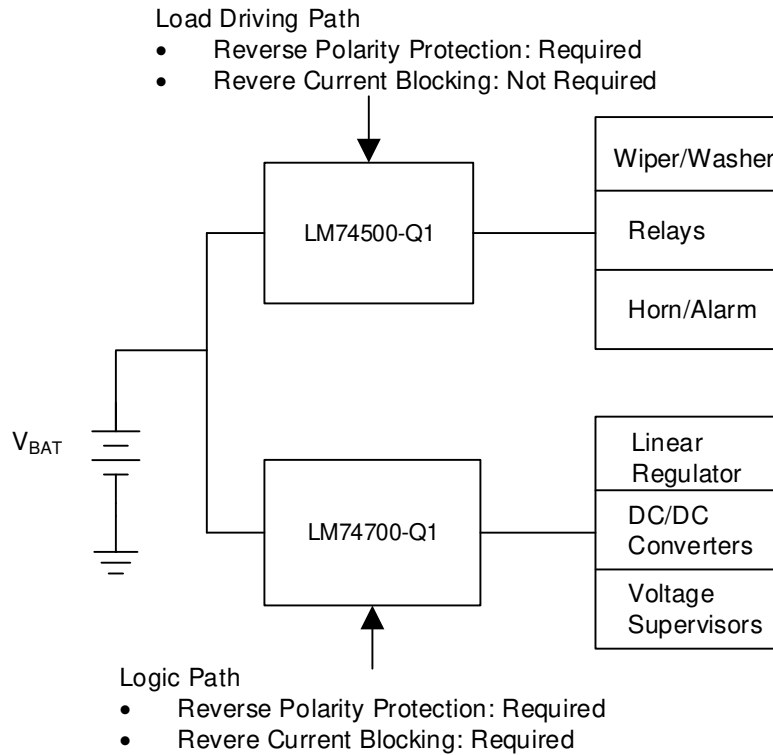


图 9-1. Typical Block Diagram for Automotive BCM Reverse Battery Protection Solution

For certain applications such as body control module load driving paths where output loads are inductive in nature such as wiper motor, door control module, it is required that reverse polarity protection device should provide protection against incorrect input polarity. However, it should not block reverse current from loads back to the battery. This is mainly required to avoid voltage overshoot which is caused when inductive loads are turned off. If reverse polarity protection device blocks the reverse current then there could be voltage overshoot caused due to inductive kick back or motor regenerative action and can damage parallel loads connected on the output of reverse polarity protection device. For certain specific loads such as wiper motor, a voltage overshoot is seen due to transformer effect when wiper motor speed is changed from fast speed to slow speed. LM74500-Q1 is designed to provide protection against input reverse polarity for such applications where reverse current

blocking is not required. 图 9-2 shows typical application circuit of reverse polarity protection of body control module load driving paths.

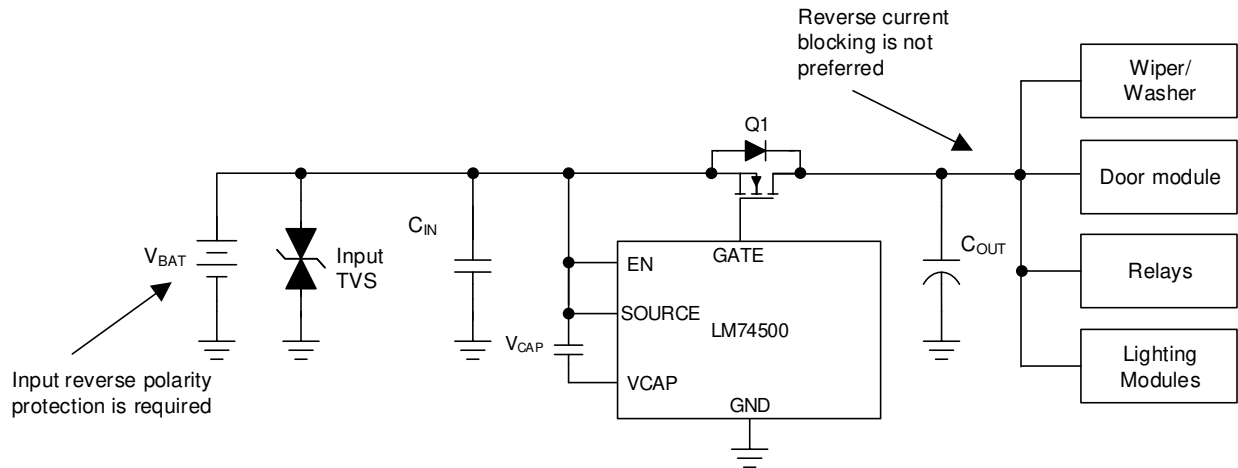


图 9-2. Typical Block Diagram of Reverse Battery Protection for Body Control Module Load Driving Path

9.2 Reverse Polarity Protection

P-FET based reverse polarity protection is a very commonly used scheme in industrial and automotive applications to achieve low insertion loss protection solution. A low loss reverse polarity protection solution can be realised using LM74500-Q1 with an external N-FET to replace P-FET based solution. LM74500-Q1 based reverse polarity protection solution offers better cold crank performance (low V_{IN} operation) and smaller solution size compared to P-FET based solution. 图 9-3 compares the performance benefits of LM74500-Q1 +N-FET over traditional P-FET based reverse polarity protection solution. As shown in 图 9-3, for a given power level LM74500-Q1+N-FET solution can be three times smaller than a similar power rated P-FET solution. Also as P-FET is self biased by simply pulling it's gate pin low and thus P-FET shows poorer cold crank performance (low V_{IN} operation) compared to LM74500-Q1. During severe cold crank where battery voltage falls below 4 V, P-FET series resistance increase drastically as shown in 图 9-3. This leads to higher voltage drop across the P-FET. Also with higher gate to source threshold (V_T) this can sometimes lead to system reset due to turning off of the

P-FET. On the other side LM74500-Q1 has excellent severe cold crank performance. LM74500-Q1 keeps external FET completely enhanced even when input voltage falls to 3.2 V during severe cold crank operation.

Parameter	P-FET	LM74500-Q1 + N-FET
Typical Application Diagram		
Solution Size (Load current >6A)	<p>12mm x 11.7mm (140mm²)</p> <p>DPAK PFET Sol</p>	<p>7mm x 5.3mm (37.1mm²)</p>
Low V _{IN} / Cold-Crank Performance		<p>Better cold crank performance compared to PFET based solution. External N-FET remains fully enhanced even if input voltage falls to 3.2V.</p>

图 9-3. Performance Comparison of P-FET and LM74500-Q1 Based Reverse Polarity Protection Solution

9.3 Application Information

The LM74500-Q1 is used with N-Channel MOSFET controller in a typical reverse polarity protection application. The schematic for the 12-V battery protection application is shown in 图 9-4 where the LM74500-Q1 is used to drive the MOSFET Q1 in series with a battery. The TVS is not required for the LM74500-Q1 to operate, but they are used to clamp the positive and negative voltage surges. The output capacitor C_{OUT} is recommended to protect the immediate output voltage collapse as a result of line disturbance.

9.3.1 Typical Application

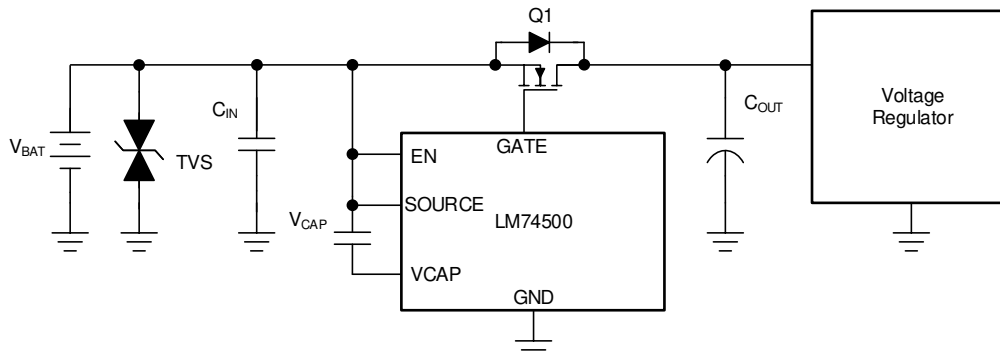


图 9-4. Typical Application Circuit

9.3.1.1 Design Requirements

A design example, with system design parameters listed in 表 9-1 is presented.

表 9-1. Design Parameters

DESIGN PARAMETER	EXAMPLE VALUE
Input voltage range	12-V Battery, 12-V Nominal with 3.2-V Cold Crank and 35-V Load Dump
Output voltage	3.2 V during Cold Crank to 35-V Load Dump
Output current range	3-A Nominal, 5-A Maximum
Output capacitance	220- μ F Typical Output Capacitance
Automotive EMC Compliance	ISO 7637-2 and ISO 16750-2

9.3.1.2 Detailed Design Procedure

9.3.1.2.1 Design Considerations

- Input operating voltage range, including cold crank and load dump conditions
- Nominal load current and maximum load current

9.3.1.2.2 MOSFET Selection

The important MOSFET electrical parameters are the maximum continuous drain current I_D , the maximum drain-to-source voltage $V_{DS(MAX)}$, the maximum source current through body diode and the drain-to-source On resistance $R_{DS(ON)}$.

The maximum continuous drain current, I_D , rating must exceed the maximum continuous load current. The maximum drain-to-source voltage, $V_{DS(MAX)}$, must be high enough to withstand the highest differential voltage seen in the application. This would include any anticipated fault conditions. It is recommended to use MOSFETs with voltage rating up to 60-V maximum with the LM74500-Q1 because SOURCE pin maximum voltage rating is 65-V. The maximum V_{GS} LM74500-Q1 can drive is 13 V, so a MOSFET with 15-V minimum V_{GS} rating should be selected. If a MOSFET with V_{GS} rating < 15 V is selected, a zener diode can be used to clamp V_{GS} to safe level.

During startup, inrush current flows through the body diode to charge the bulk hold-up capacitors at the output. The maximum source current through the body diode must be higher than the inrush current that can be seen in the application.

To reduce the MOSFET conduction losses, lowest possible $R_{DS(ON)}$ is preferred.

Based on the design requirements, preferred MOSFET ratings are:

- 60-V $V_{DS(MAX)}$ and ± 20 -V $V_{GS(MAX)}$

DMT6007LFG MOSFET from Diodes Inc. is selected to meet this 12-V reverse battery protection design requirements and it is rated at:

- 60-V $V_{DS(MAX)}$ and ± 20 -V $V_{GS(MAX)}$
- $R_{DS(ON)}$ 6.5-m Ω typical and 8.5-m Ω maximum rated at 4.5-V V_{GS} to ensure lower power dissipation across the FET

Thermal resistance of the MOSFET should be considered against the expected maximum power dissipation in the MOSFET to ensure that the junction temperature (T_J) is well controlled.

9.3.1.2.3 Charge Pump VCAP, Input and Output Capacitance

Minimum required capacitance for charge pump VCAP and input/output capacitance are:

- VCAP: Minimum 0.1 μ F is required; recommended value of VCAP (μ F) $\geq 10 \times C_{ISS(MOSFET)}$ (μ F)
- C_{IN} : Typical input capacitor of 0.1 μ F
- C_{OUT} : Typical output capacitor 220 μ F

9.3.1.3 Selection of TVS Diodes for 12-V Battery Protection Applications

TVS diodes are used in automotive systems for protection against transients. In the 12-V battery protection application circuit shown in [Figure 9-5](#), a bi-directional TVS diode is used to protect from positive and negative transient voltages that occur during normal operation of the car and these transient voltage levels and pulses are specified in ISO 7637-2 and ISO 16750-2 standards.

The two important specifications of the TVS are breakdown voltage and clamping voltage. Breakdown voltage is the voltage at which the TVS diode goes into avalanche similar to a zener diode and is specified at a low current value typical 1 mA and the breakdown voltage should be higher than worst case steady state voltages seen in the system. The breakdown voltage of the TVS+ should be higher than 24-V jump start voltage and 35-V suppressed load dump voltage and less than the maximum input voltage rating of LM74500-Q1 (65 V). The breakdown voltage of TVS- should be higher than maximum reverse battery voltage - 16 V, so that the TVS- is not damaged due to long time exposure to reverse connected battery.

Clamping voltage is the voltage the TVS diode clamps in high current pulse situations and this voltage is much higher than the breakdown voltage. TVS diodes are meant to clamp transient pulses and should not interfere with steady state operation. In the case of an ISO 7637-2 pulse 1, the input voltage goes up to - 150 V with a generator impedance of 10 Ω . This translates to 15 A flowing through the TVS - and the voltage across the TVS would be close to its clamping voltage.

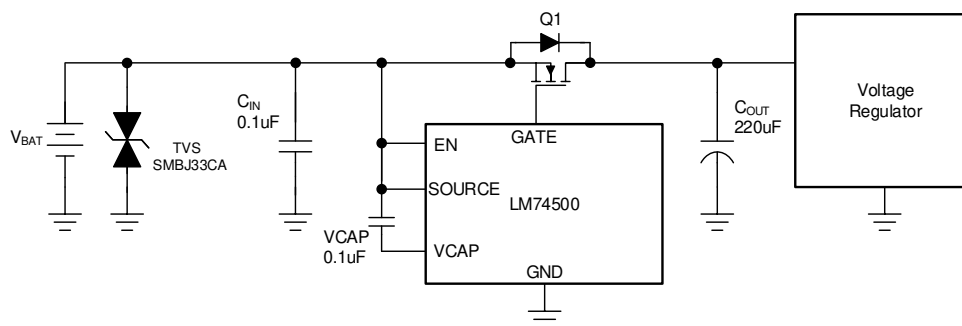


图 9-5. Typical 12-V Battery Protection with Single Bi-Directional TVS

The next criterion is that the absolute minimum rating of source voltage of the LM74500-Q1 (– 65 V) and the maximum V_{DS} rating MOSFET are not exceeded. In the design example, 60-V rated MOSFET is chosen.

SMBJ series of TVS' are rated up to 600-W peak pulse power levels. This is sufficient for ISO 7637-2 pulses and suppressed load dump (ISO-16750-2 pulse B).

9.3.1.4 Selection of TVS Diodes and MOSFET for 24-V Battery Protection Applications

Typical 24-V battery protection application circuit shown in [图 9-6](#) uses two uni-directional TVS diodes to protect from positive and negative transient voltages.

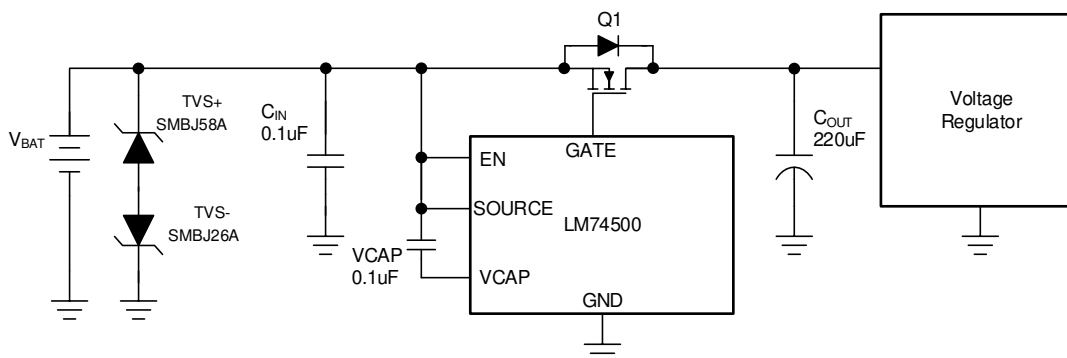


图 9-6. Typical 24-V Battery Protection with Two Uni-Directional TVS

The breakdown voltage of the TVS+ should be higher than 48-V jump start voltage, less than the absolute maximum ratings of source and enable pin of LM74500-Q1 (65 V) and should withstand 65-V suppressed load dump. The breakdown voltage of TVS- should be lower than maximum reverse battery voltage – 32 V, so that the TVS- is not damaged due to long time exposure to reverse connected battery.

During ISO 7637-2 pulse 1, the input voltage goes up to – 600 V with a generator impedance of 50 Ω . Single bi-directional TVS cannot be used for 24-V battery protection because breakdown voltage for TVS+ \geq 48V, maximum negative clamping voltage is \leq – 65 V. Two uni-directional TVS connected back-back needs to be used at the input. For positive side TVS+, SMBJ58A with the breakdown voltage of 64.4 V (minimum), 67.8 (typical) is recommended. For the negative side TVS-, SMBJ26A with breakdown voltage close to 32 V (to withstand maximum reverse battery voltage – 32 V) and maximum clamping voltage of 42 V is recommended.

For 24-V battery protection, a 75-V rated MOSFET is recommended to be used along with SMBJ26A and SMBJ58A connected back-back at the input.

9.3.1.5 Application Curves

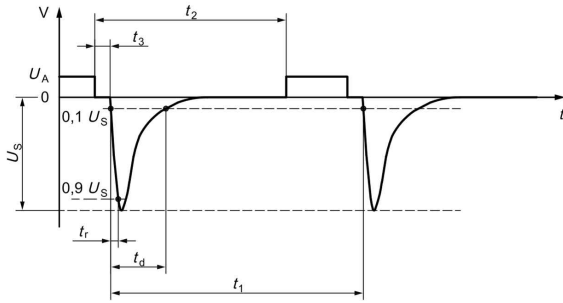
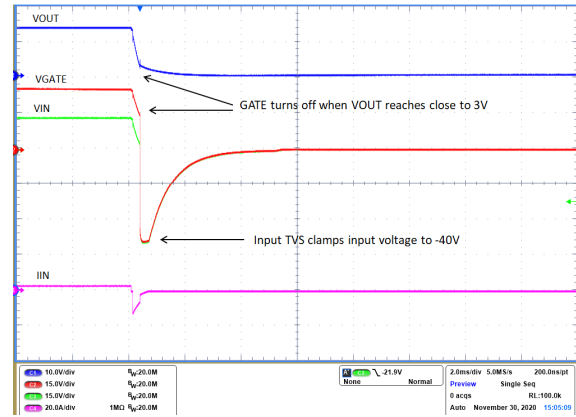
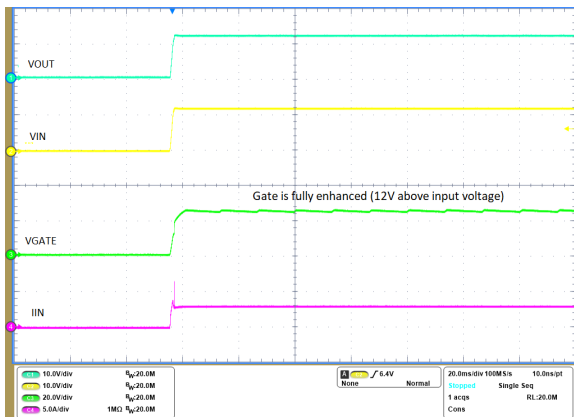


图 9-7. ISO 7637-2 Pulse 1



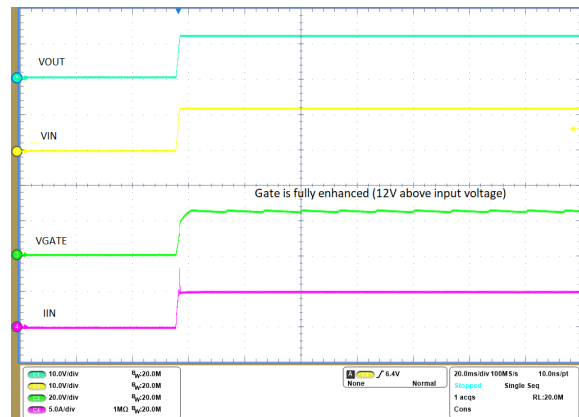
Time (2 ms/DIV)

图 9-8. Response to ISO 7637-2 Pulse 1



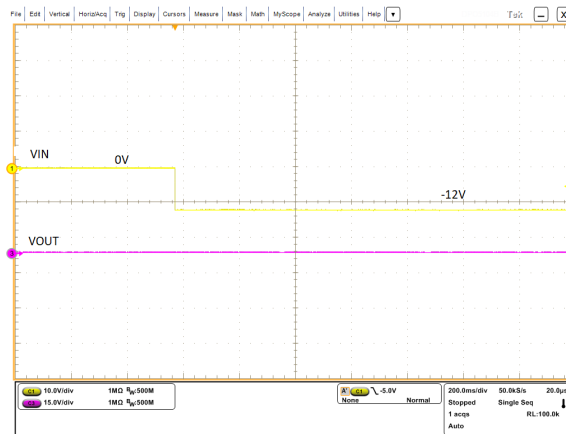
Time (20 ms/DIV)

图 9-9. Startup with 3-A Load



Time (20ms/DIV)

图 9-10. Startup with 5-A Load



Time (200 ms/DIV)

图 9-11. Startup with Input Reverse Voltage (-12 V)

12 Device and Documentation Support

12.1 接收文档更新通知

要接收文档更新通知，请导航至 ti.com 上的器件产品文件夹。点击 [订阅更新](#) 进行注册，即可每周接收产品信息更改摘要。有关更改的详细信息，请查看任何已修订文档中包含的修订历史记录。

12.2 支持资源

TI E2E™ 支持论坛是工程师的重要参考资料，可直接从专家获得快速、经过验证的解答和设计帮助。搜索现有解答或提出自己的问题可获得所需的快速设计帮助。

链接的内容由各个贡献者“按原样”提供。这些内容并不构成 TI 技术规范，并且不一定反映 TI 的观点；请参阅 TI 的《[使用条款](#)》。

12.3 Trademarks

TI E2E™ is a trademark of Texas Instruments.

所有商标均为其各自所有者的财产。

12.4 静电放电警告



静电放电 (ESD) 会损坏这个集成电路。德州仪器 (TI) 建议通过适当的预防措施处理所有集成电路。如果不遵守正确的处理和安装程序，可能会损坏集成电路。

ESD 的损坏小至导致微小的性能降级，大至整个器件故障。精密的集成电路可能更容易受到损坏，这是因为非常细微的参数更改都可能会导致器件与其发布的规格不相符。

12.5 术语表

TI 术语表 本术语表列出并解释了术语、首字母缩略词和定义。

13 Mechanical, Packaging, and Orderable Information

The following pages include mechanical, packaging, and orderable information. This information is the most current data available for the designated devices. This data is subject to change without notice and revision of this document. For browser-based versions of this data sheet, refer to the left-hand navigation.

PACKAGING INFORMATION

Orderable Device	Status (1)	Package Type	Package Drawing	Pins	Package Qty	Eco Plan (2)	Lead finish/ Ball material (6)	MSL Peak Temp (3)	Op Temp (°C)	Device Marking (4/5)	Samples
LM74500QDDFRQ1	ACTIVE	SOT-23-THIN	DDF	8	3000	RoHS & Green	NIPDAU	Level-1-260C-UNLIM	-40 to 125	745F	Samples

(1) The marketing status values are defined as follows:

ACTIVE: Product device recommended for new designs.

LIFEBUY: TI has announced that the device will be discontinued, and a lifetime-buy period is in effect.

NRND: Not recommended for new designs. Device is in production to support existing customers, but TI does not recommend using this part in a new design.

PREVIEW: Device has been announced but is not in production. Samples may or may not be available.

OBSELETE: TI has discontinued the production of the device.

(2) **RoHS:** TI defines "RoHS" to mean semiconductor products that are compliant with the current EU RoHS requirements for all 10 RoHS substances, including the requirement that RoHS substance do not exceed 0.1% by weight in homogeneous materials. Where designed to be soldered at high temperatures, "RoHS" products are suitable for use in specified lead-free processes. TI may reference these types of products as "Pb-Free".

RoHS Exempt: TI defines "RoHS Exempt" to mean products that contain lead but are compliant with EU RoHS pursuant to a specific EU RoHS exemption.

Green: TI defines "Green" to mean the content of Chlorine (Cl) and Bromine (Br) based flame retardants meet JS709B low halogen requirements of <=1000ppm threshold. Antimony trioxide based flame retardants must also meet the <=1000ppm threshold requirement.

(3) MSL, Peak Temp. - The Moisture Sensitivity Level rating according to the JEDEC industry standard classifications, and peak solder temperature.

(4) There may be additional marking, which relates to the logo, the lot trace code information, or the environmental category on the device.

(5) Multiple Device Markings will be inside parentheses. Only one Device Marking contained in parentheses and separated by a "-" will appear on a device. If a line is indented then it is a continuation of the previous line and the two combined represent the entire Device Marking for that device.

(6) Lead finish/Ball material - Orderable Devices may have multiple material finish options. Finish options are separated by a vertical ruled line. Lead finish/Ball material values may wrap to two lines if the finish value exceeds the maximum column width.

Important Information and Disclaimer:The information provided on this page represents TI's knowledge and belief as of the date that it is provided. TI bases its knowledge and belief on information provided by third parties, and makes no representation or warranty as to the accuracy of such information. Efforts are underway to better integrate information from third parties. TI has taken and continues to take reasonable steps to provide representative and accurate information but may not have conducted destructive testing or chemical analysis on incoming materials and chemicals. TI and TI suppliers consider certain information to be proprietary, and thus CAS numbers and other limited information may not be available for release.

In no event shall TI's liability arising out of such information exceed the total purchase price of the TI part(s) at issue in this document sold by TI to Customer on an annual basis.

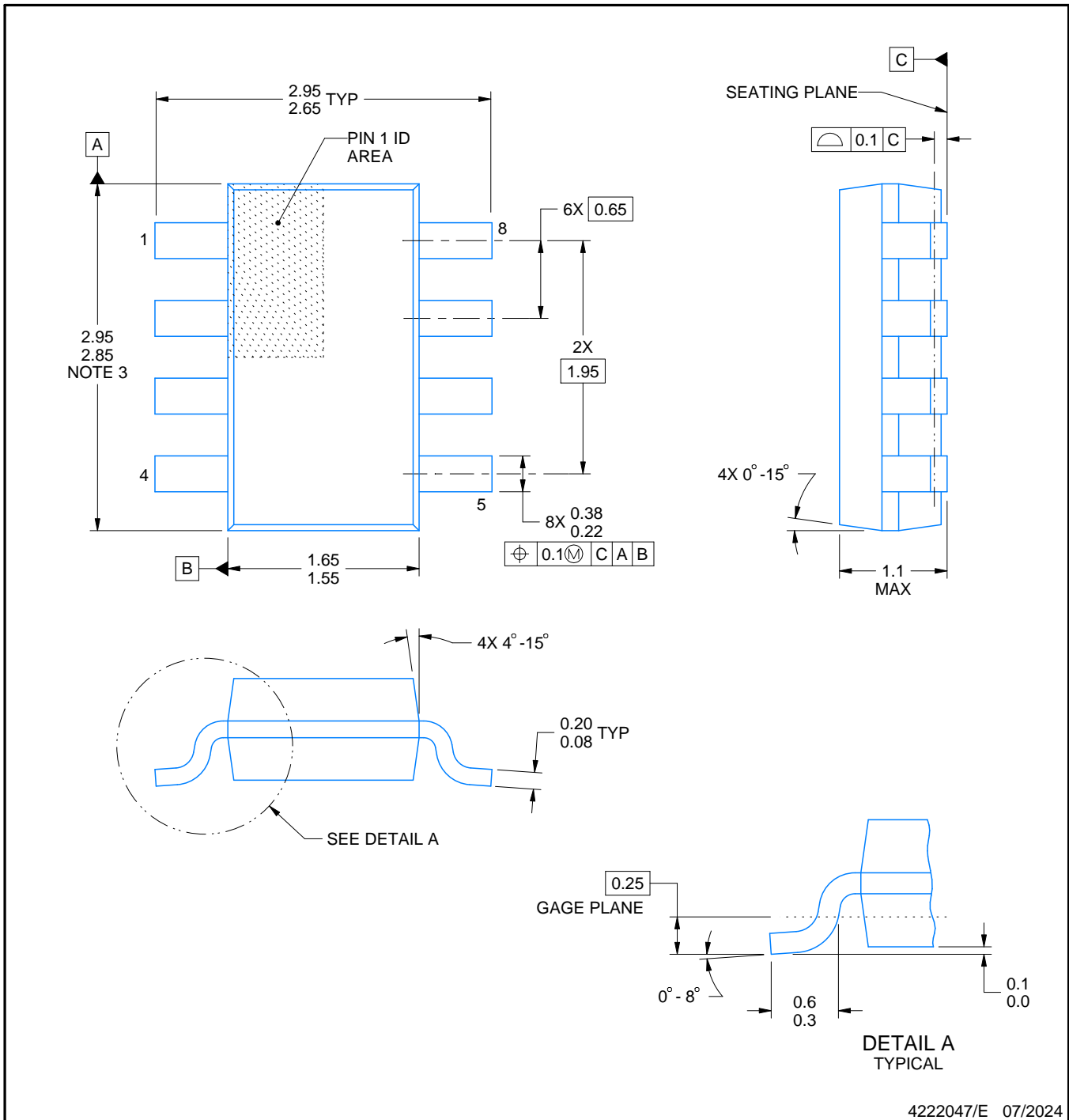
DDF0008A



PACKAGE OUTLINE

SOT-23-THIN - 1.1 mm max height

PLASTIC SMALL OUTLINE



NOTES:

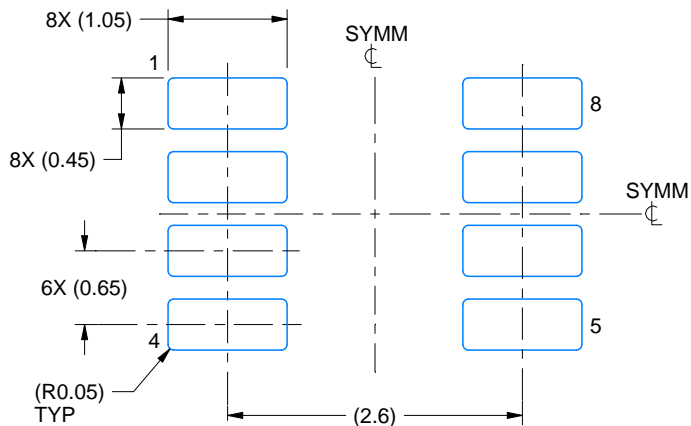
1. All linear dimensions are in millimeters. Any dimensions in parenthesis are for reference only. Dimensioning and tolerancing per ASME Y14.5M.
2. This drawing is subject to change without notice.
3. This dimension does not include mold flash, protrusions, or gate burrs. Mold flash, protrusions, or gate burrs shall not exceed 0.15 mm per side.

EXAMPLE BOARD LAYOUT

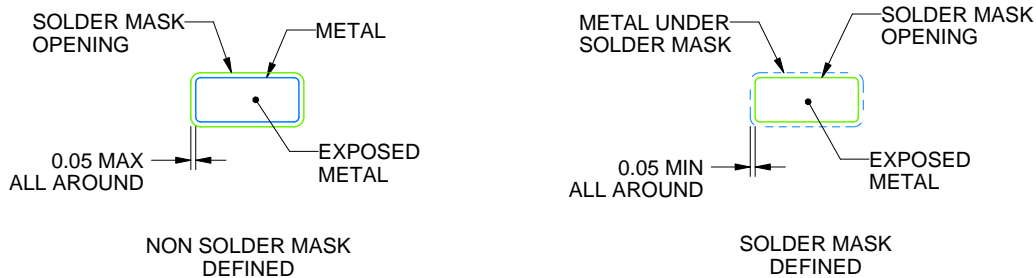
DDF0008A

SOT-23-THIN - 1.1 mm max height

PLASTIC SMALL OUTLINE



LAND PATTERN EXAMPLE
EXPOSED METAL SHOWN
SCALE:15X



SOLDER MASK DETAILS

4222047/E 07/2024

NOTES: (continued)

- 4. Publication IPC-7351 may have alternate designs.
- 5. Solder mask tolerances between and around signal pads can vary based on board fabrication site.

EXAMPLE STENCIL DESIGN

DDF0008A

SOT-23-THIN - 1.1 mm max height

PLASTIC SMALL OUTLINE



SOLDER PASTE EXAMPLE
BASED ON 0.125 mm THICK STENCIL
SCALE:15X

4222047/E 07/2024

NOTES: (continued)

6. Laser cutting apertures with trapezoidal walls and rounded corners may offer better paste release. IPC-7525 may have alternate design recommendations.
7. Board assembly site may have different recommendations for stencil design.

重要声明和免责声明

TI“按原样”提供技术和可靠性数据（包括数据表）、设计资源（包括参考设计）、应用或其他设计建议、网络工具、安全信息和其他资源，不保证没有瑕疵且不做任何明示或暗示的担保，包括但不限于对适销性、某特定用途方面的适用性或不侵犯任何第三方知识产权的暗示担保。

这些资源可供使用 TI 产品进行设计的熟练开发人员使用。您将自行承担以下全部责任：(1) 针对您的应用选择合适的 TI 产品，(2) 设计、验证并测试您的应用，(3) 确保您的应用满足相应标准以及任何其他功能安全、信息安全、监管或其他要求。

这些资源如有变更，恕不另行通知。TI 授权您仅可将这些资源用于研发本资源所述的 TI 产品的应用。严禁对这些资源进行其他复制或展示。您无权使用任何其他 TI 知识产权或任何第三方知识产权。您应全额赔偿因在这些资源的使用中对 TI 及其代表造成的任何索赔、损害、成本、损失和债务，TI 对此概不负责。

TI 提供的产品受 [TI 的销售条款](#) 或 [ti.com](#) 上其他适用条款/TI 产品随附的其他适用条款的约束。TI 提供这些资源并不会扩展或以其他方式更改 TI 针对 TI 产品发布的适用的担保或担保免责声明。

TI 反对并拒绝您可能提出的任何其他或不同的条款。

邮寄地址：Texas Instruments, Post Office Box 655303, Dallas, Texas 75265
Copyright © 2024，德州仪器 (TI) 公司