

50 ppm/°C MAX, 50 μ A, CMOS VOLTAGE REFERENCE

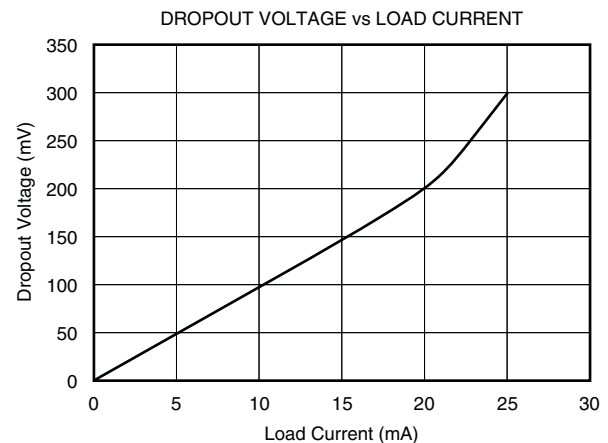
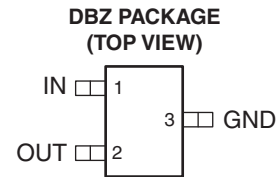
 Check for Samples: [REF3033-Q1](#)

FEATURES

- Qualified for Automotive Applications
- Low Dropout Voltage: 1 mV
- High Output Current: 25 mA
- High Accuracy: 0.2%
- Low Quiescent Current: 50 μ A (Max)
- Excellent Specified Drift Performance
 - 50 ppm/°C (Max), $T_A = 0^\circ\text{C}$ to 70°C
 - 75 ppm/°C (Max), $T_A = -40^\circ\text{C}$ to 85°C

APPLICATIONS

- Portable, Battery-Powered Equipment
- Data Acquisition Systems
- Medical Equipment
- Hand-Held Test Equipment



DESCRIPTION

The REF30xx is a precision low-power low-dropout voltage reference family available in a tiny SOT23-3 (DBV) package.

The REF30xx small size and low power consumption (50 μ A max) make it ideal for portable and battery-powered applications. The REF30xx does not require a load capacitor.

Unloaded, the REF30xx can be operated with supplies within 1 mV of output voltage. The device is specified for the temperature range of -40°C to 85°C .

ORDERING INFORMATION⁽¹⁾

T_A	PACKAGE ⁽²⁾		ORDERABLE PART NUMBER	TOP-SIDE MARKING
-40°C to 85°C	SOT-23 – DBV	Reel of 3000	REF3033AIDBZRQ1	REFI

(1) For the most current package and ordering information, see the Package Option Addendum at the end of this document, or see the TI web site at www.ti.com.

(2) Package drawings, thermal data, and symbolization are available at www.ti.com/packaging.



Please be aware that an important notice concerning availability, standard warranty, and use in critical applications of Texas Instruments semiconductor products and disclaimers thereto appears at the end of this data sheet.



This integrated circuit can be damaged by ESD. Texas Instruments recommends that all integrated circuits be handled with appropriate precautions. Failure to observe proper handling and installation procedures can cause damage.

ESD damage can range from subtle performance degradation to complete device failure. Precision integrated circuits may be more susceptible to damage because very small parametric changes could cause the device not to meet its published specifications.

ABSOLUTE MAXIMUM RATINGS⁽¹⁾

Input voltage		7	V
Output short-circuit duration ⁽²⁾		Continuous	
Operating temperature range		–40 to 85	°C
Storage temperature range		–65 to 150	°C
Junction temperature (T _J max)		150	°C
ESD rating	Human-body model (HBM)	2000	V
	Charged-device model (CDM)	1000	

- (1) Stresses above these ratings may cause permanent damage. Exposure to absolute maximum conditions for extended periods may degrade device reliability. These are stress ratings only, and functional operation of the device at these or any other conditions beyond those specified is not implied.
- (2) Short circuit to ground

ELECTRICAL CHARACTERISTICS

Boldface limits apply over the specified temperature range, T_A = –40°C to 85°C.

T_A = 25°C, I_{LOAD} = 0, V_{IN} = 5 V (unless otherwise noted)

PARAMETER	CONDITIONS	MIN	TYP	MAX	UNIT
OUTPUT VOLTAGE					
Output voltage	V _{OUT}	3.294	3.3	3.306	V
Initial accuracy				0.2	%
NOISE					
Output voltage noise	f = 0.1 Hz to 10 Hz		36		μV _{PP}
Voltage noise	f = 10 Hz to 10 kHz		105		μV _{rms}
LINE REGULATION					
	V _{REF} + 50 mV ≤ V _{IN} ≤ 5.5 V		130	400	μV/V
OUTPUT VOLTAGE TEMPERATURE DRIFT⁽¹⁾					
dV _{OUT} /dT	0°C ≤ T _A ≤ 70°C		20	50	ppm/°C
	–30°C ≤ T _A ≤ 85°C		28	60	ppm/°C
	–40°C ≤ T _A ≤ 85°C		30	65	ppm/°C
LONG-TERM STABILITY					
	0 to 1000 h		24		ppm
	1000 h to 2000 h		15		ppm
LOAD REGULATION⁽²⁾					
dV _{OUT} /dI _{LOAD}	0 mA < I _{LOAD} < 25 mA V _{IN} = V _{REF} + 500 mV		3	100	μV/mA
THERMAL HYSTERESIS⁽³⁾					
dT			25	100	ppm
DROPOUT VOLTAGE					
V _{IN} – V _{OUT}			1	50	mV
SHORT-CIRCUIT CURRENT					
I _{SC}			45		mA
TURN-ON SETTLING TIME					
	To 0.1%, V _{IN} = 5 V, C _L = 1 μF		120		μs

- (1) Box Method used to determine over temperature drift.
- (2) Typical value of load regulation reflects measurements using a force and sense contacts, see [Load Regulation](#) in *Application Information*.
- (3) For more detail on the thermal hysteresis procedure, see [Thermal Hysteresis](#) in *Application Information*.

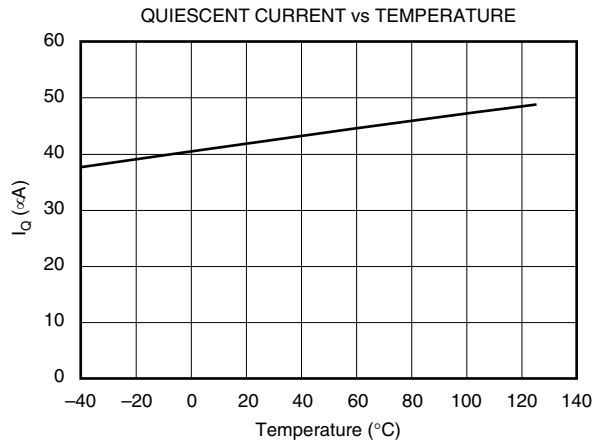
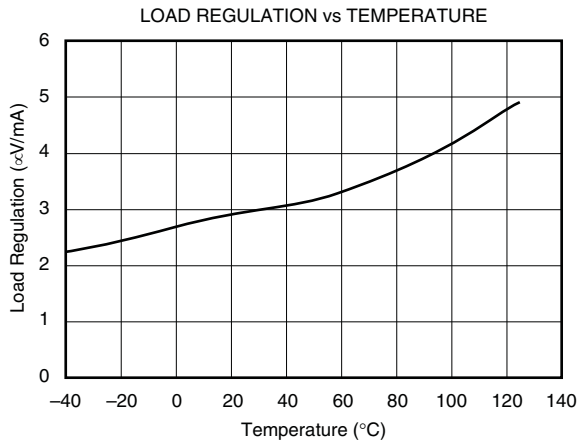
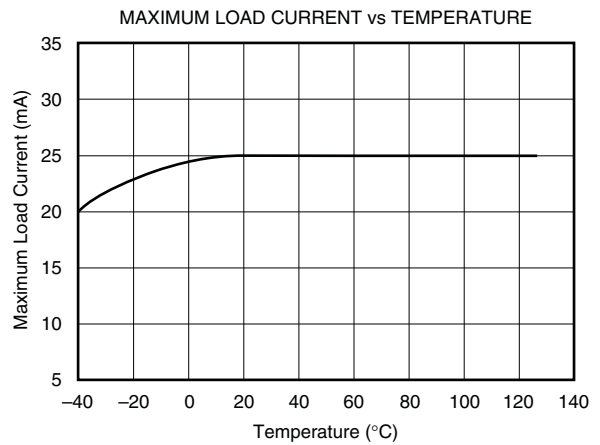
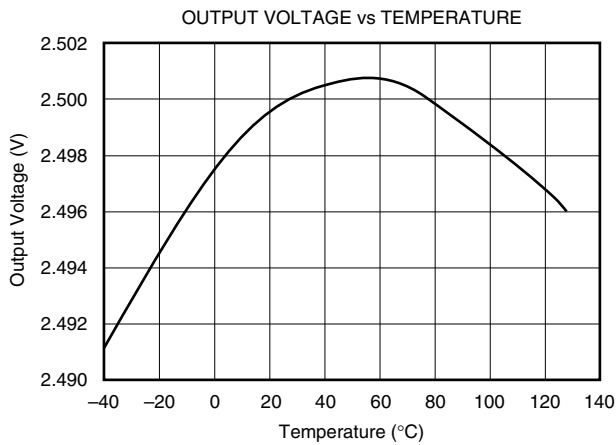
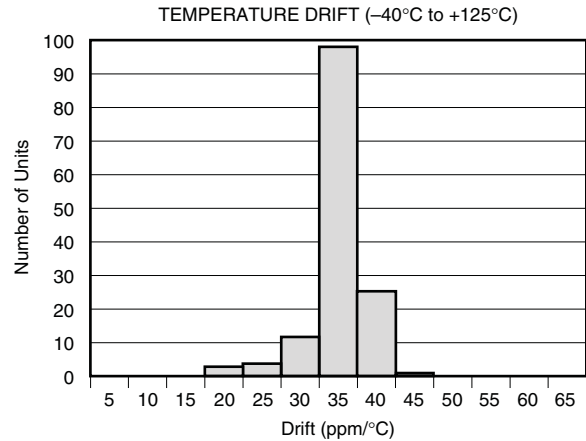
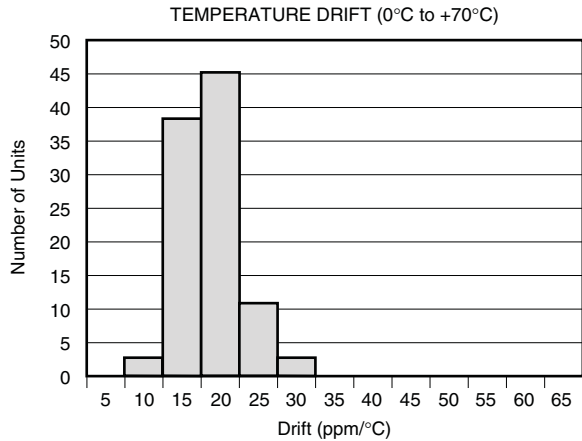
ELECTRICAL CHARACTERISTICS (continued)
Boldface limits apply over the specified temperature range, $T_A = -40^{\circ}\text{C}$ to 85°C .

 $T_A = 25^{\circ}\text{C}$, $I_{\text{LOAD}} = 0$, $V_{\text{IN}} = 5\text{ V}$ (unless otherwise noted)

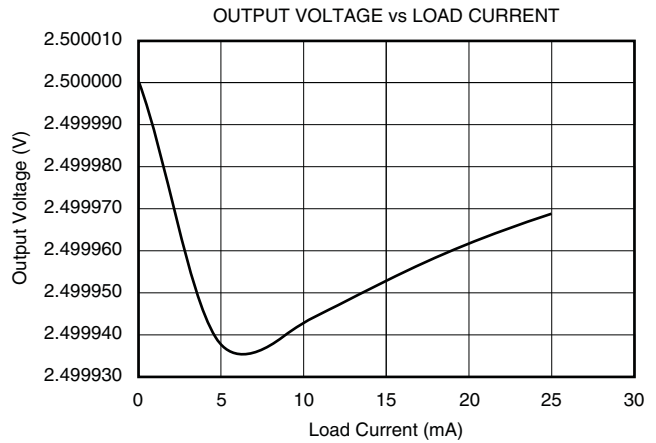
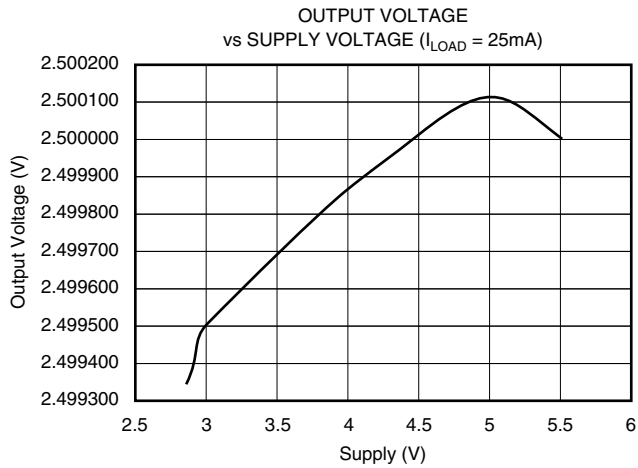
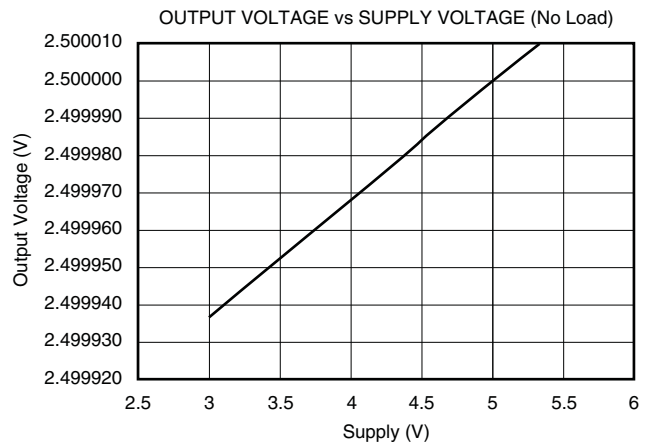
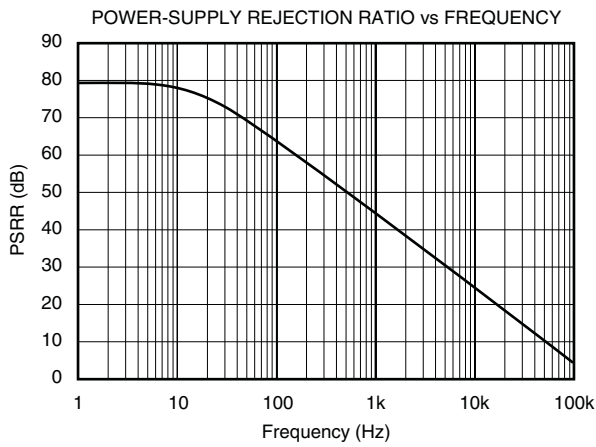
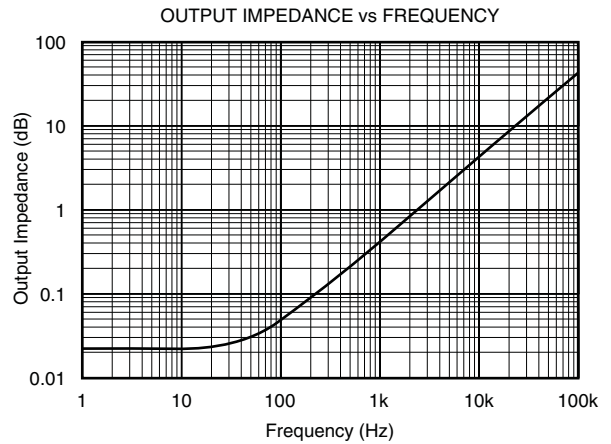
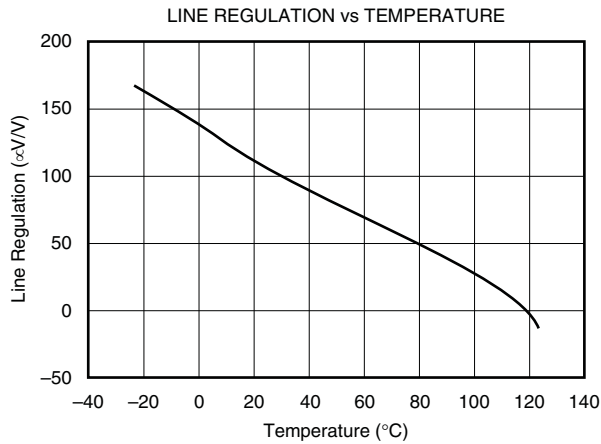
PARAMETER	CONDITIONS	MIN	TYP	MAX	UNIT
POWER SUPPLY					
Supply voltage	$I_{\text{LOAD}} = 0^{(4)}$	$V_{\text{REF}} + 0.001$		5.5	V
Over temperature	$-40^{\circ}\text{C} \leq T_A \leq 85^{\circ}\text{C}$	$V_{\text{REF}} + 0.05$		5.5	
Quiescent current			42	50	μA
Over temperature	$-40^{\circ}\text{C} \leq T_A \leq 85^{\circ}\text{C}$			59	μA
TEMPERATURE RANGE					
Specified range		-40		85	$^{\circ}\text{C}$
Operating range		-40		85	$^{\circ}\text{C}$
Thermal resistance					
Junction to case	θ_{JC}		110		$^{\circ}\text{C}/\text{W}$
Junction to free air	θ_{JA}		336		$^{\circ}\text{C}/\text{W}$

 (4) For $I_{\text{LOAD}} > 0$, see *Typical Characteristics*.

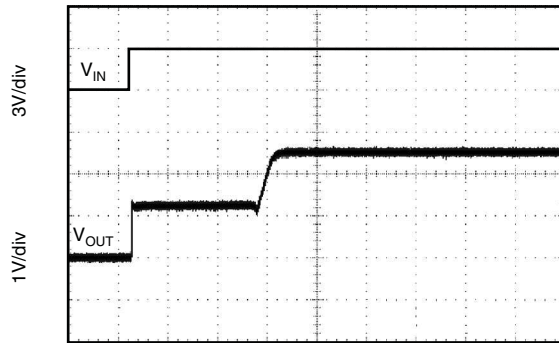
TYPICAL CHARACTERISTICS



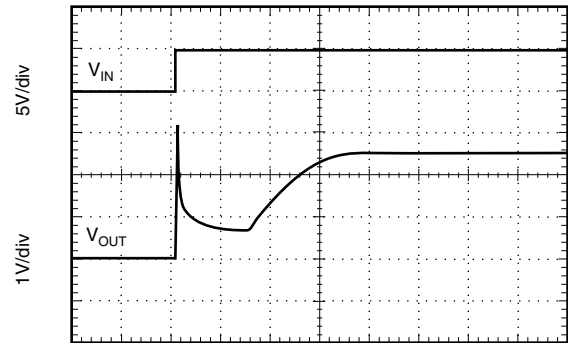
TYPICAL CHARACTERISTICS (continued)



TYPICAL CHARACTERISTICS (continued)

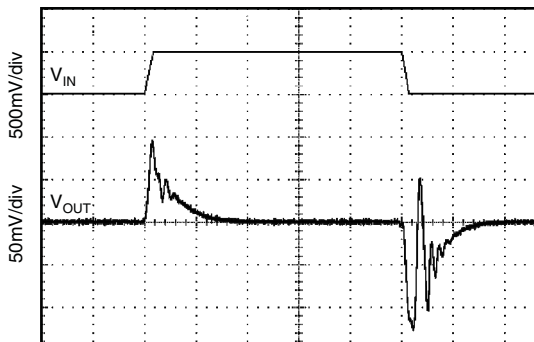
STEP RESPONSE, $C_L = 0$, 3V STARTUP

40µs/div

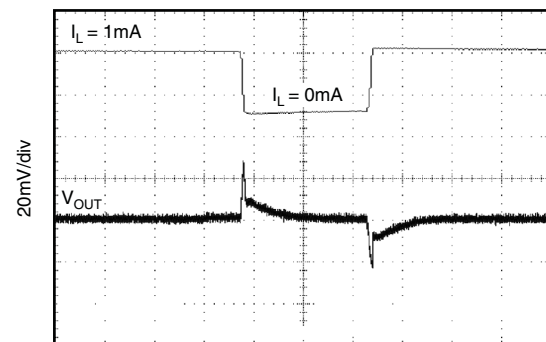
STEP RESPONSE, $C_L = 0$, 5V STARTUP

10µs/div

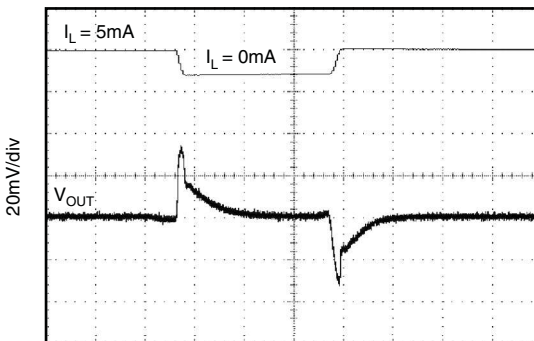
LINE TRANSIENT RESPONSE



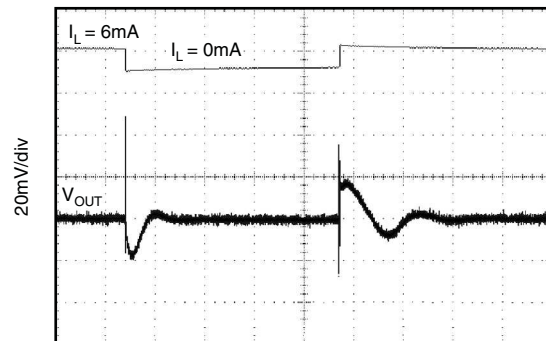
10µs/div

0-1mA LOAD TRANSIENT ($C_L = 0$)

10µs/div

0-5mA LOAD TRANSIENT ($C_L = 0$)

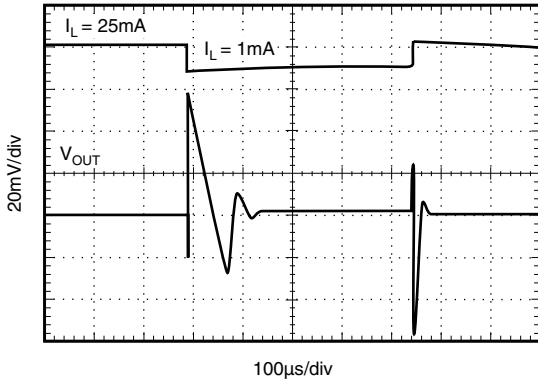
10µs/div

1-6mA LOAD TRANSIENT ($C_L = 1\mu\text{F}$)

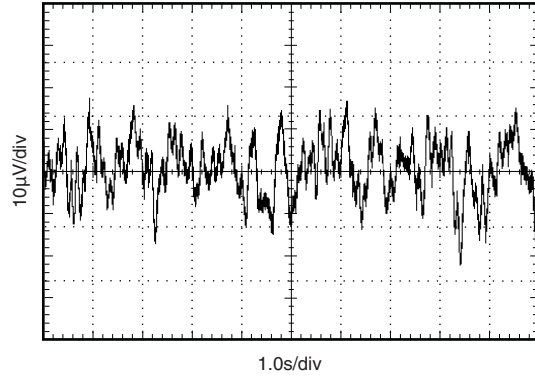
40µs/div

TYPICAL CHARACTERISTICS (continued)

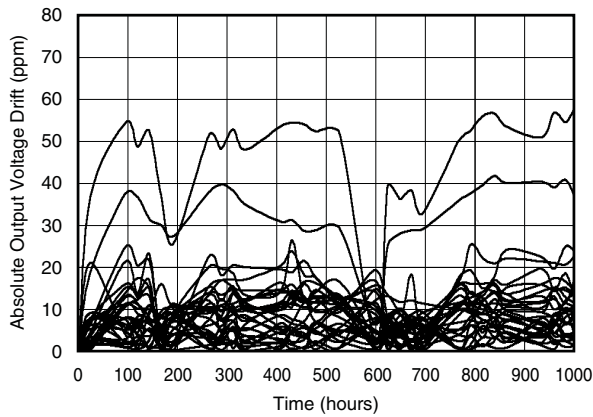
1-25mA LOAD TRANSIENT ($C_L = 1\mu F$)



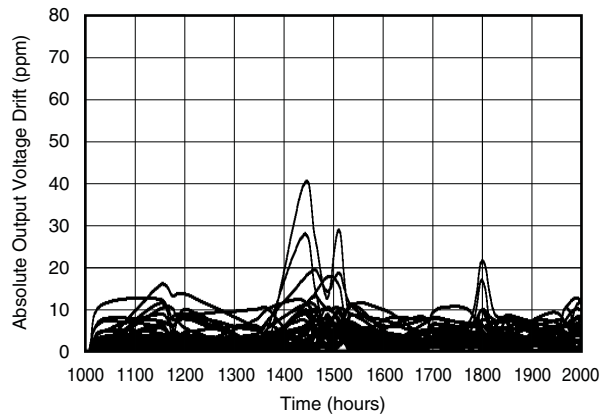
0.1Hz TO 10Hz NOISE



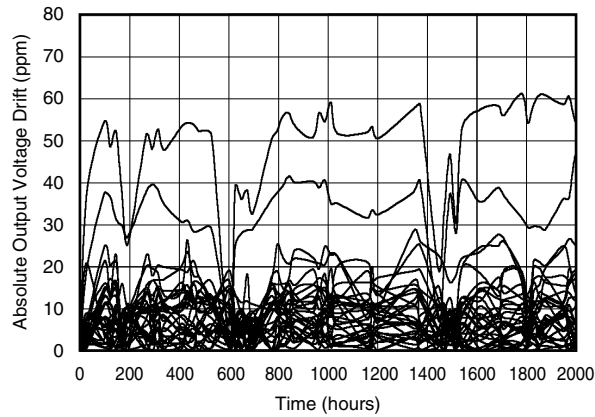
LONG-TERM STABILITY 0 TO 1000 HOURS



LONG-TERM STABILITY 1000 TO 2000 HOURS



LONG-TERM STABILITY 0 TO 2000 HOURS



THEORY OF OPERATION

The REF30xx is a series, CMOS, precision bandgap voltage reference. Its basic topology is shown in [Figure 1](#). The transistors Q1 and Q2 are biased such that the current density of Q1 is greater than that of Q2. The difference of the two base-emitter voltages, $V_{be1} - V_{be2}$, has a positive temperature coefficient and is forced across resistor R1. This voltage is gained up and added to the base-emitter voltage of Q2, which has a negative coefficient. The resulting output voltage is virtually independent of temperature. The curvature of the bandgap voltage, as seen in the typical curve, "Output Voltage vs Temperature," is due to the slightly nonlinear temperature coefficient of the base-emitter voltage of Q2.

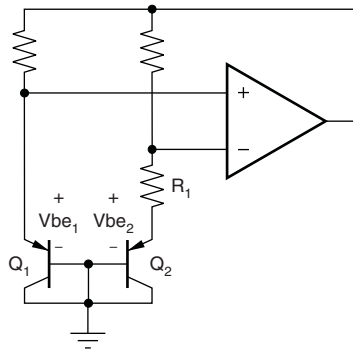


Figure 1. Simplified Schematic of Bandgap Reference

APPLICATION INFORMATION

For normal operation, the REF30xx does not require a capacitor on the output. If a capacitive load is connected, special care must be taken with the combination of low equivalent series resistance (ESR) capacitors and high capacitance. This caution is especially true for low-output voltage devices; therefore, the REF3012 should only have a low-ESR capacitance of 10 μF or less. [Figure 2](#) shows the typical connections required for operation of the REF30xx. A supply bypass capacitor of 0.47 μF is always recommended.

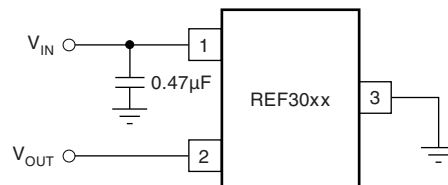


Figure 2. Typical Connections for Operating REF30xx

Supply Voltage

The REF30xx family of references features an extremely low dropout voltage. With the exception of the REF3012, which has a minimum supply requirement of 1.8 V, the REF30xx can be operated with a supply of only 1 mV above the output voltage in an unloaded condition. For loaded conditions, a typical dropout voltage versus load is shown on the cover page.

The REF30xx features a low quiescent current, which is extremely stable over changes in both temperature and supply. The typical room temperature quiescent current is 42 μA , and the maximum quiescent current over temperature is just 59 μA . Additionally, the quiescent current typically changes less than 2.5 μA over the entire supply range, as shown in [Figure 3](#).

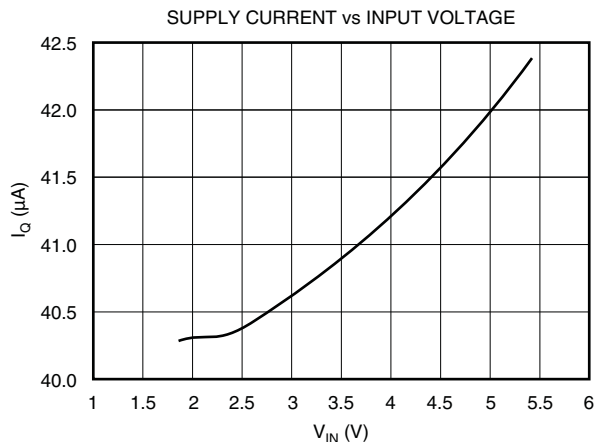


Figure 3. Supply Current vs Supply Voltage

Supply voltages below the specified levels can cause the REF30xx to momentarily draw currents greater than the typical quiescent current. Using a power supply with a fast rising edge and low output impedance easily prevents this.

Thermal Hysteresis

Thermal hysteresis for the REF30xx is defined as the change in output voltage after operating the device at 25°C, cycling the device through the specified temperature range, and returning to 25°C, and can be expressed as:

Where

V_{HYST} = Calculated hysteresis

V_{PRE} = Output voltage measured at 25°C pretemperature cycling

V_{POST} = Output voltage measured when device has been operated at 25°C, cycled through specified range –40°C to 85°C, and returned to operation at 25°C.

Temperature Drift

The REF30xx is designed to exhibit minimal drift error, defined as the change in output voltage over varying temperature. Using the "box" method of drift measurement, the REF30xx features a typical drift coefficient of 20 ppm from 0°C to 70°C—the primary temperature range of use for many applications. For automotive temperature ranges of –40°C to 85°C, the REF30xx family drift increases to a typical value of 50 ppm.

Noise Performance

The REF30xx generates noise less than 50 µVp-p between frequencies of 0.1 Hz to 10 Hz, and can be seen in the typical characteristic curve "0.1 to 10Hz Voltage Noise." The noise voltage of the REF30xx increases with output voltage and operating temperature. Additional filtering may be used to improve output noise levels, although care should be taken to ensure the output impedance does not degrade AC performance.

Long-Term Stability

Long term stability refers to the change of the output voltage of a reference over a period of months or years. This effect lessens as time progresses as is apparent by the long term stability curves. The typical drift value for the REF30xx is 24 ppm from 0 to 1000 hours and 15 ppm from 1000 to 2000 hours. This parameter is characterized by measuring 30 units at regular intervals for a period of 2000 hours.

Load Regulation

Load regulation is defined as the change in output voltage due to changes in load current. Load regulation for the REF30xx is measured using force and sense contacts as pictured in Figure 4. The force and sense lines tied to the contact area of the output pin reduce the impact of contact and trace resistance, resulting in accurate measurement of the load regulation contributed solely by the REF30xx. For applications requiring improved load regulation, force and sense lines should be used.

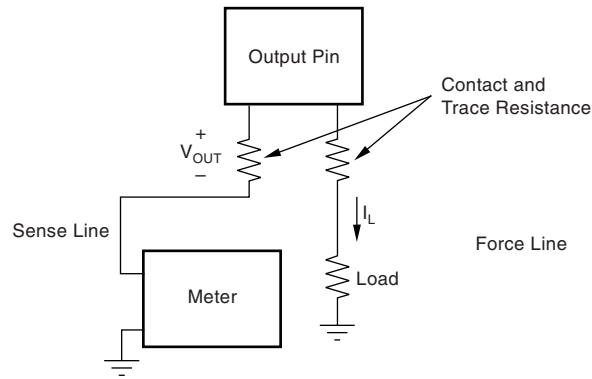


Figure 4. Accurate Load Regulation

Application Circuits

Negative Reference Voltage

For applications requiring a negative and positive reference voltage, the OPA703 and REF30xx can be used to provide a dual supply reference from a ± 5 -V supply. Figure 5 shows the REF3025 used to provide a ± 2.5 -V supply reference voltage. The low offset voltage and low drift of the OPA703 complement the low drift performance of the REF30xx to provide an accurate solution for split-supply applications.

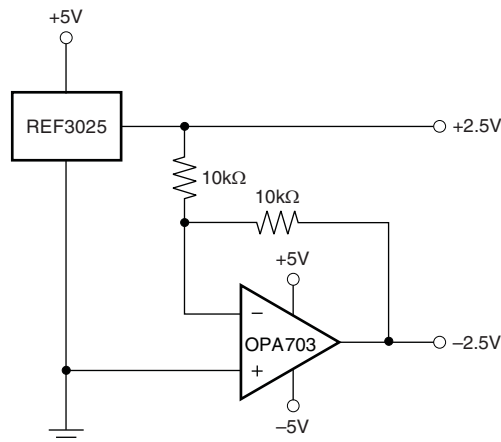


Figure 5. REF3025 Combined with OPA703 to Create Positive and Negative Reference Voltages

Data Acquisition

Often data acquisition systems require stable voltage references to maintain necessary accuracy. The REF30xx family features stability and a wide range of voltages suitable for most microcontrollers and data converters. Figure 6 and Figure 7 show two basic data acquisition systems.

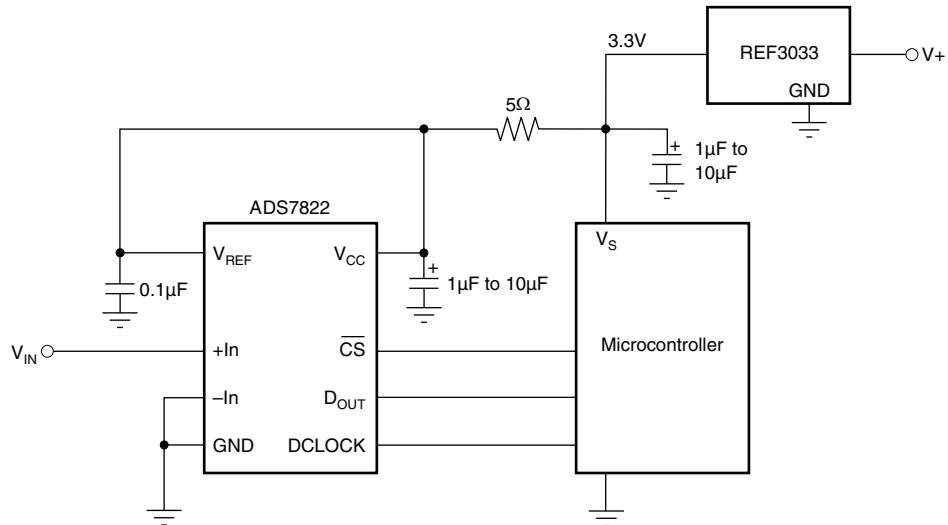


Figure 6. Basic Data Acquisition System 1

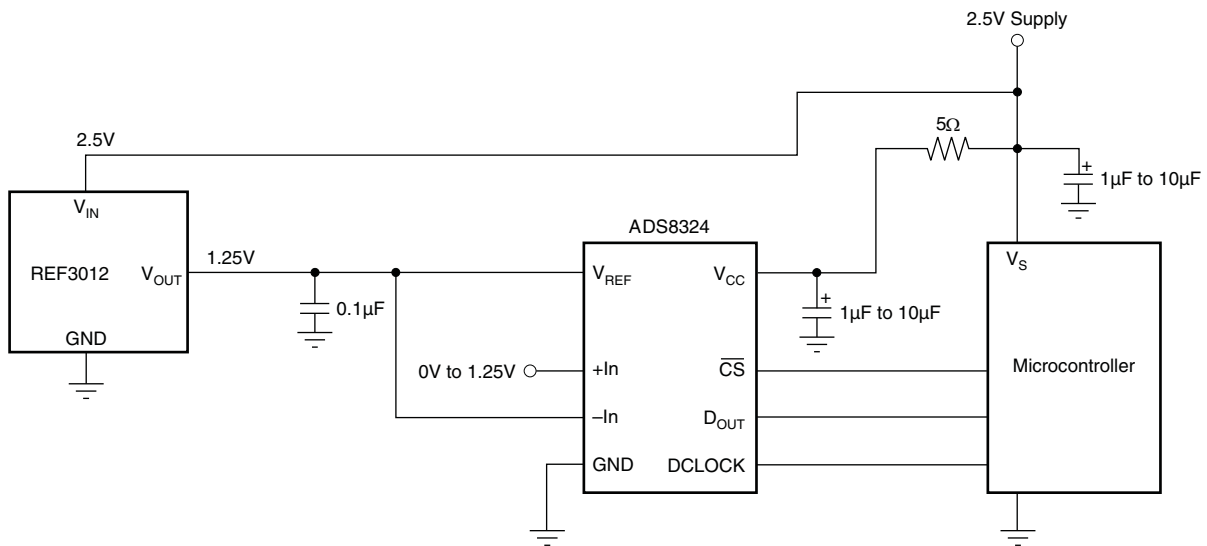


Figure 7. Basic Data Acquisition System 2

PACKAGING INFORMATION

Orderable Device	Status (1)	Package Type	Package Drawing	Pins	Package Qty	Eco Plan (2)	Lead finish/ Ball material (6)	MSL Peak Temp (3)	Op Temp (°C)	Device Marking (4/5)	Samples
REF3033AIDBZRQ1	NRND	SOT-23	DBZ	3	3000	RoHS & Green	NIPDAU	Level-2-260C-1 YEAR	-40 to 85	REFI	

(1) The marketing status values are defined as follows:

ACTIVE: Product device recommended for new designs.

LIFEBUY: TI has announced that the device will be discontinued, and a lifetime-buy period is in effect.

NRND: Not recommended for new designs. Device is in production to support existing customers, but TI does not recommend using this part in a new design.

PREVIEW: Device has been announced but is not in production. Samples may or may not be available.

OBSOLETE: TI has discontinued the production of the device.

(2) **RoHS:** TI defines "RoHS" to mean semiconductor products that are compliant with the current EU RoHS requirements for all 10 RoHS substances, including the requirement that RoHS substance do not exceed 0.1% by weight in homogeneous materials. Where designed to be soldered at high temperatures, "RoHS" products are suitable for use in specified lead-free processes. TI may reference these types of products as "Pb-Free".

RoHS Exempt: TI defines "RoHS Exempt" to mean products that contain lead but are compliant with EU RoHS pursuant to a specific EU RoHS exemption.

Green: TI defines "Green" to mean the content of Chlorine (Cl) and Bromine (Br) based flame retardants meet JS709B low halogen requirements of <=1000ppm threshold. Antimony trioxide based flame retardants must also meet the <=1000ppm threshold requirement.

(3) MSL, Peak Temp. - The Moisture Sensitivity Level rating according to the JEDEC industry standard classifications, and peak solder temperature.

(4) There may be additional marking, which relates to the logo, the lot trace code information, or the environmental category on the device.

(5) Multiple Device Markings will be inside parentheses. Only one Device Marking contained in parentheses and separated by a "-" will appear on a device. If a line is indented then it is a continuation of the previous line and the two combined represent the entire Device Marking for that device.

(6) Lead finish/Ball material - Orderable Devices may have multiple material finish options. Finish options are separated by a vertical ruled line. Lead finish/Ball material values may wrap to two lines if the finish value exceeds the maximum column width.

Important Information and Disclaimer:The information provided on this page represents TI's knowledge and belief as of the date that it is provided. TI bases its knowledge and belief on information provided by third parties, and makes no representation or warranty as to the accuracy of such information. Efforts are underway to better integrate information from third parties. TI has taken and continues to take reasonable steps to provide representative and accurate information but may not have conducted destructive testing or chemical analysis on incoming materials and chemicals. TI and TI suppliers consider certain information to be proprietary, and thus CAS numbers and other limited information may not be available for release.

In no event shall TI's liability arising out of such information exceed the total purchase price of the TI part(s) at issue in this document sold by TI to Customer on an annual basis.

OTHER QUALIFIED VERSIONS OF REF3033-Q1 :

- Catalog: [REF3033](#)

NOTE: Qualified Version Definitions:

- Catalog - TI's standard catalog product

TAPE AND REEL INFORMATION



QUADRANT ASSIGNMENTS FOR PIN 1 ORIENTATION IN TAPE



*All dimensions are nominal

Device	Package Type	Package Drawing	Pins	SPQ	Reel Diameter (mm)	Reel Width W1 (mm)	A0 (mm)	B0 (mm)	K0 (mm)	P1 (mm)	W (mm)	Pin1 Quadrant
REF3033AIDBZRQ1	SOT-23	DBZ	3	3000	179.0	8.4	3.15	2.95	1.22	4.0	8.0	Q3

TAPE AND REEL BOX DIMENSIONS



*All dimensions are nominal

Device	Package Type	Package Drawing	Pins	SPQ	Length (mm)	Width (mm)	Height (mm)
REF3033AIDBZRQ1	SOT-23	DBZ	3	3000	213.0	191.0	35.0

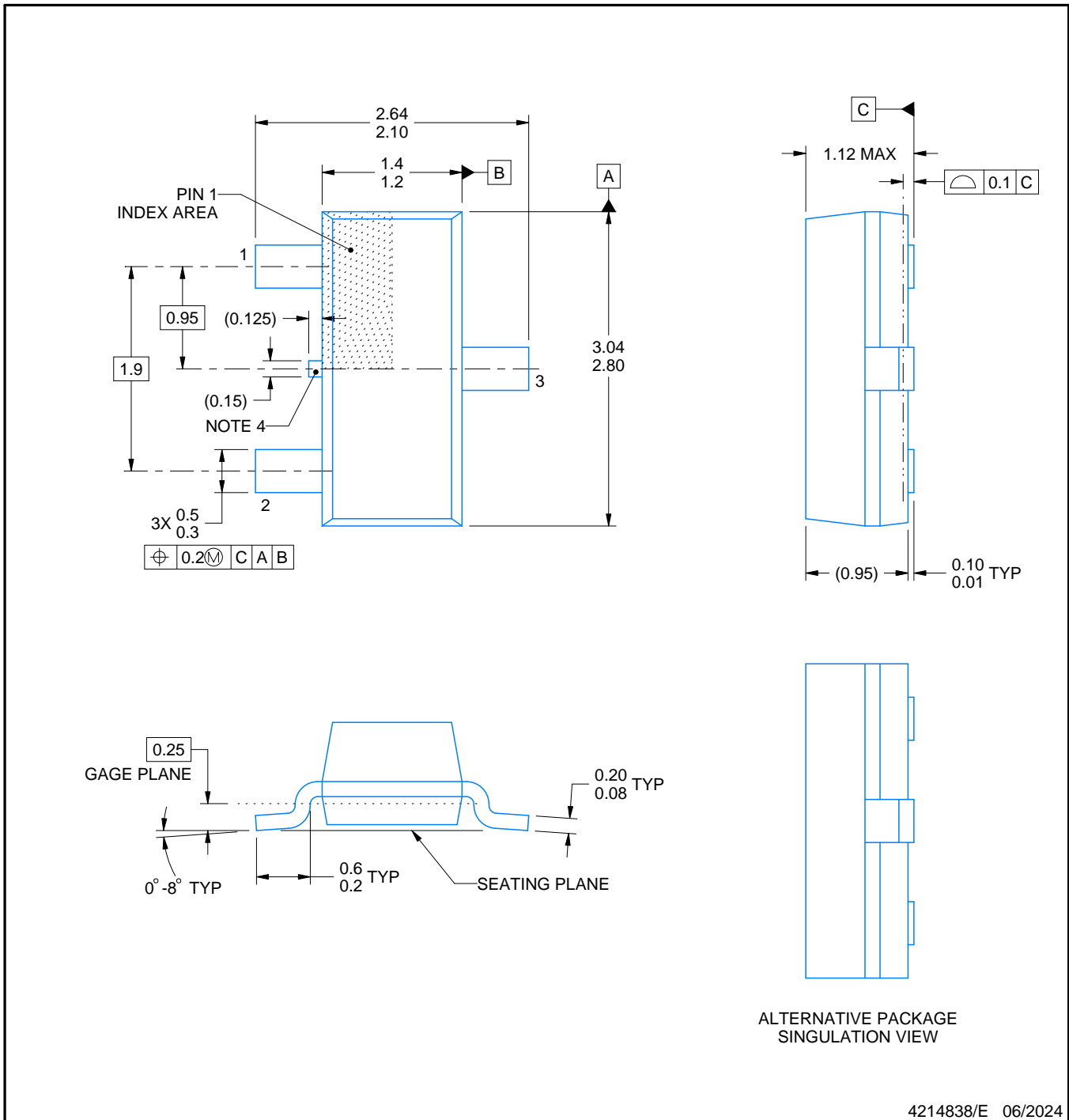
DBZ0003A



PACKAGE OUTLINE

SOT-23 - 1.12 mm max height

SMALL OUTLINE TRANSISTOR



4214838/E 06/2024

NOTES:

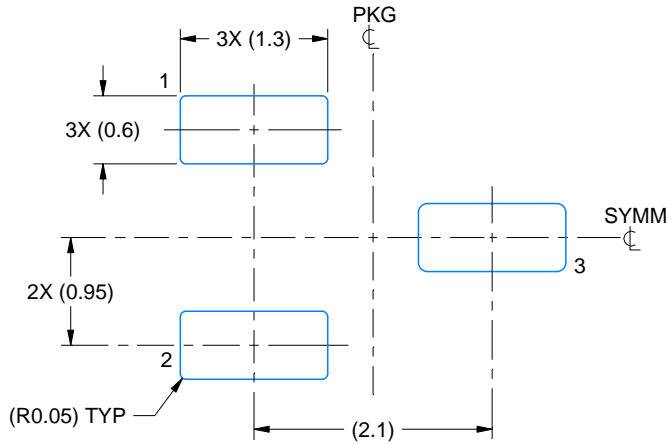
- All linear dimensions are in millimeters. Any dimensions in parenthesis are for reference only. Dimensioning and tolerancing per ASME Y14.5M.
- This drawing is subject to change without notice.
- Reference JEDEC registration TO-236, except minimum foot length.
- Support pin may differ or may not be present.
- Body dimensions do not include mold flash, protrusions, or gate burrs. Mold flash, protrusions, or gate burrs shall not exceed 0.25mm per side

EXAMPLE BOARD LAYOUT

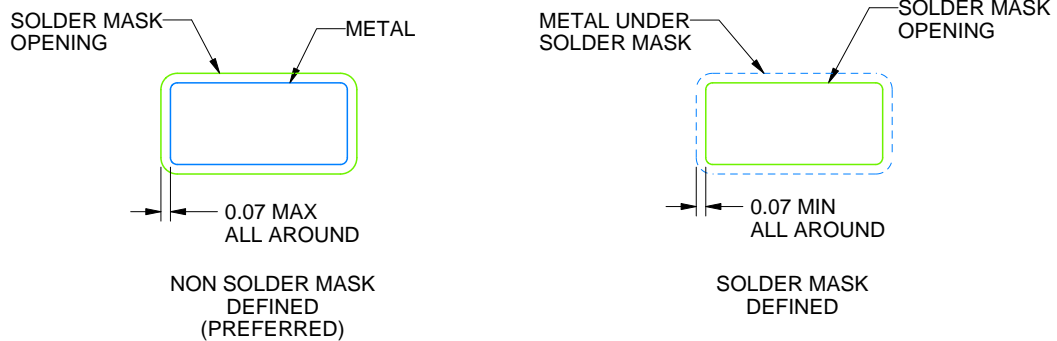
DBZ0003A

SOT-23 - 1.12 mm max height

SMALL OUTLINE TRANSISTOR



LAND PATTERN EXAMPLE
SCALE:15X



SOLDER MASK DETAILS

4214838/E 06/2024

NOTES: (continued)

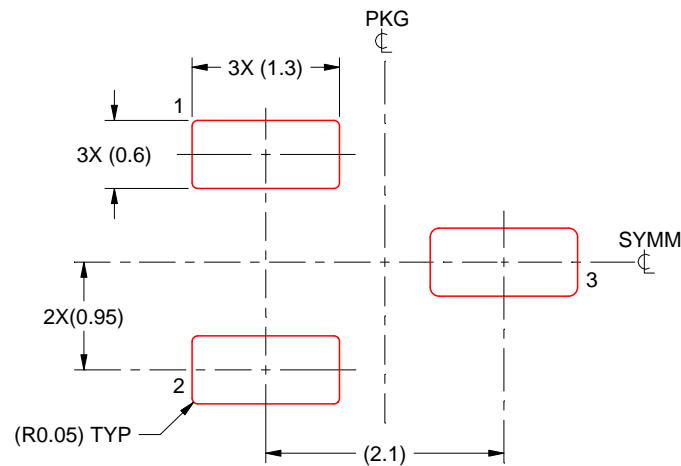
- 5. Publication IPC-7351 may have alternate designs.
- 6. Solder mask tolerances between and around signal pads can vary based on board fabrication site.

EXAMPLE STENCIL DESIGN

DBZ0003A

SOT-23 - 1.12 mm max height

SMALL OUTLINE TRANSISTOR



SOLDER PASTE EXAMPLE
BASED ON 0.125 THICK STENCIL
SCALE:15X

4214838/E 06/2024

NOTES: (continued)

7. Laser cutting apertures with trapezoidal walls and rounded corners may offer better paste release. IPC-7525 may have alternate design recommendations.
8. Board assembly site may have different recommendations for stencil design.

IMPORTANT NOTICE AND DISCLAIMER

TI PROVIDES TECHNICAL AND RELIABILITY DATA (INCLUDING DATA SHEETS), DESIGN RESOURCES (INCLUDING REFERENCE DESIGNS), APPLICATION OR OTHER DESIGN ADVICE, WEB TOOLS, SAFETY INFORMATION, AND OTHER RESOURCES "AS IS" AND WITH ALL FAULTS, AND DISCLAIMS ALL WARRANTIES, EXPRESS AND IMPLIED, INCLUDING WITHOUT LIMITATION ANY IMPLIED WARRANTIES OF MERCHANTABILITY, FITNESS FOR A PARTICULAR PURPOSE OR NON-INFRINGEMENT OF THIRD PARTY INTELLECTUAL PROPERTY RIGHTS.

These resources are intended for skilled developers designing with TI products. You are solely responsible for (1) selecting the appropriate TI products for your application, (2) designing, validating and testing your application, and (3) ensuring your application meets applicable standards, and any other safety, security, regulatory or other requirements.

These resources are subject to change without notice. TI grants you permission to use these resources only for development of an application that uses the TI products described in the resource. Other reproduction and display of these resources is prohibited. No license is granted to any other TI intellectual property right or to any third party intellectual property right. TI disclaims responsibility for, and you will fully indemnify TI and its representatives against, any claims, damages, costs, losses, and liabilities arising out of your use of these resources.

TI's products are provided subject to [TI's Terms of Sale](#) or other applicable terms available either on [ti.com](https://www.ti.com) or provided in conjunction with such TI products. TI's provision of these resources does not expand or otherwise alter TI's applicable warranties or warranty disclaimers for TI products.

TI objects to and rejects any additional or different terms you may have proposed.

Mailing Address: Texas Instruments, Post Office Box 655303, Dallas, Texas 75265
Copyright © 2024, Texas Instruments Incorporated