

UCC14240-Q1 汽车类 2.0W、24V V_{IN} 、25V V_{OUT} 、高密度、 > 3kV_{RMS}、隔离式直流/直流模块

1 特性

- 采用隔离变压器的完全集成高密度隔离式直流/直流模块
- 隔离式直流/直流模块，用于驱动：IGBT、SiC FET
- 输入电压范围：21V 至 27V，绝对最大值为 32V
- 在 $T_A \leq 85^\circ\text{C}$ 时输出功率为 2.0W，在 $T_A = 105^\circ\text{C}$ 时输出功率 > 1.5W
- 可调节的 (VDD - VEE) 输出电压 (通过外部电阻器)：在整个温度范围内为 18V 至 25V，调节精度为 $\pm 1.3\%$
- 可调节的 (COM - VEE) 输出电压 (通过外部电阻器)：在整个温度范围内为 2.5V 至 (VDD - VEE)，调节精度为 $\pm 1.3\%$
- 通过展频调制和集成变压器设计降低电磁发射
- 使能、电源正常、UVLO、OVLO、软启动、短路、功率限制、欠压、过压和过热保护
- CMTI > 150kV/ μs
- 符合面向汽车应用的 AEC-Q100 标准
 - 温度等级 1： $-40^\circ\text{C} \leq T_J \leq 150^\circ\text{C}$
 - 温度等级 1: $-40^\circ\text{C} \leq T_A \leq 125^\circ\text{C}$
- 功能安全型
 - 有助于进行功能安全系统设计的文档
- 计划的安全相关认证：
 - 符合 DIN EN IEC 60747-17 (VDE 0884-17) 标准的 4243V_{PK} 基础型隔离
 - 符合 UL1577 标准且长达 1 分钟的 3000V_{RMS} 隔离
 - 符合 CQC GB4943.1 标准的基本绝缘
- 36 引脚宽体 SSOP 封装

2 应用

- 混合动力、电动和动力总成系统 (EV/HEV)
 - 逆变器和电机控制
 - 车载充电器 (OBC) 和无线充电器
 - 直流/直流转换器
- 电网基础设施
 - 电动汽车充电站电源模块
 - 直流充电 (桩) 站
 - 串式逆变器
- 电机驱动器
 - 交流逆变器和变频驱动器、机器人伺服驱动器
- 工业运输
 - 非公路用车电力驱动

3 说明

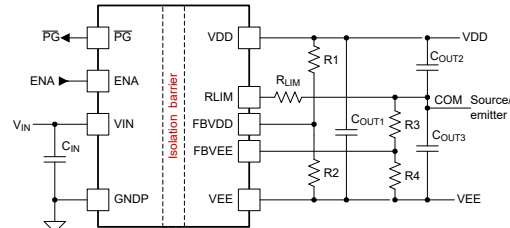
UCC14240-Q1 是一款符合汽车标准的高隔离电压直流/直流电源模块，旨在为 IGBT 或 SiC 栅极驱动器供电。UCC14240-Q1 集成了具有专有架构的变压器和直流/直流控制器，可实现高效率和超低的发射。高精度输出电压可提供更好的通道增强，从而实现更高的系统效率，不会对功率器件栅极造成过应力。

UCC14240-Q1 可以高效提供高达 2.0W (典型值) 的隔离输出功率。该模块需要非常少的外部元件，并且具有片上器件保护功能，可提供额外的特性，例如输入欠压锁定、过压锁定、输出电压电源正常比较器、过热关断、软启动超时、可调隔离式正负输出电压、使能引脚和开漏输出电源正常引脚。

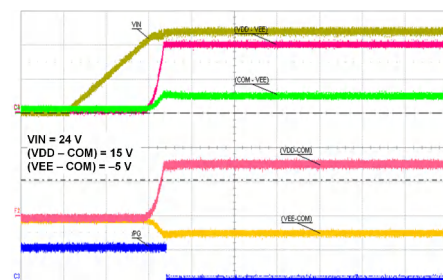
封装信息

可订购器件型号 ⁽¹⁾	封装	封装尺寸 (标称值)
UCC14240QDWRQ1	DWN (SSOP, 36)	12.83mm × 7.50mm

(1) 如需了解所有可用封装，请参阅数据表末尾的可订购产品附录。



简化版应用



典型上电序列



Table of Contents

1 特性	1	7.2 Functional Block Diagram.....	17
2 应用	1	7.3 Feature Description.....	17
3 说明	1	7.4 Device Functional Modes.....	24
4 Revision History	2	8 Application and Implementation	26
5 Pin Configuration and Functions	3	8.1 Application Information.....	26
6 Specifications	5	8.2 Typical Application.....	26
6.1 Absolute Maximum Ratings.....	5	8.3 System Examples.....	33
6.2 ESD Ratings.....	5	8.4 Power Supply Recommendations.....	34
6.3 Recommended Operating Conditions.....	5	8.5 Layout.....	34
6.4 Thermal Information.....	5	9 Device and Documentation Support	38
6.5 Power Ratings.....	6	9.1 Documentation Support.....	38
6.6 Insulation Specifications.....	6	9.2 接收文档更新通知.....	38
6.7 Safety-Related Certifications.....	7	9.3 支持资源.....	38
6.8 Electrical Characteristics.....	7	9.4 Trademarks.....	38
6.9 Safety Limiting Values.....	10	9.5 Electrostatic Discharge Caution.....	38
6.10 Insulation Characteristics.....	11	9.6 术语表.....	38
6.11 Typical Characteristics.....	12	10 Mechanical, Packaging, and Orderable Information	39
7 Detailed Description	16		
7.1 Overview.....	16		

4 Revision History

注：以前版本的页码可能与当前版本的页码不同

Changes from Revision B (December 2022) to Revision C (December 2022)	Page
• Updated table notes.....	5

Changes from Revision A (November 2021) to Revision B (December 2022)	Page
• 将状态从“预告信息”更改为“量产数据”.....	1

5 Pin Configuration and Functions

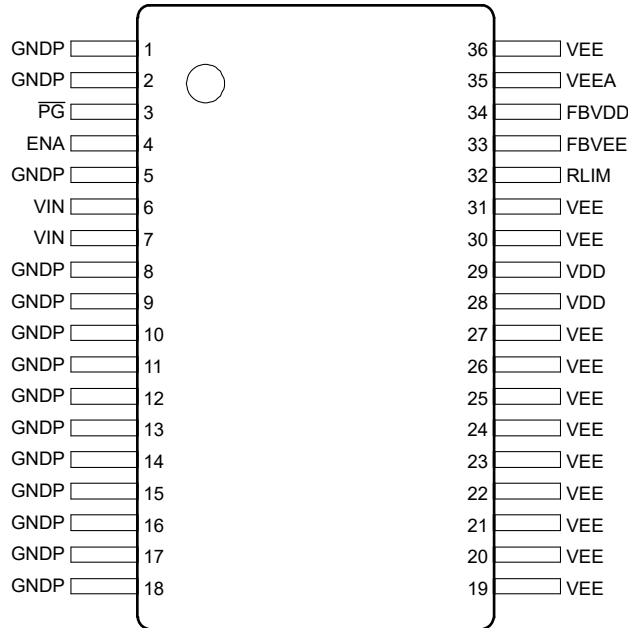


图 5-1. DWN Package, 36-Pin SSOP (Top View)

表 5-1. Pin Functions

PIN		TYPE ⁽¹⁾	DESCRIPTION
NAME	NO.		
GNDP	1, 2, 5, 8, 9, 10, 11, 12, 13, 14, 15, 16, 17, 18	G	Primary-side ground connection for VIN. PIN 1,2, and 5 are analog ground. PIN 8, 9, 10, 11, 12, 13, 14, 15, 16, 17, and 18 are power ground. Place several vias to copper pours for thermal relief. See Layout Guidelines .
PG	3	O	Active low power-good open-drain output pin. \overline{PG} remains low when $(UVLO \leq V_{VIN} \leq OVLO)$; $(UVP1 \leq (VDD - VEE) \leq OVP1)$; $(UVP2 \leq (COM - VEE) \leq OVP2)$; $T_{J_Primary} \leq TSHUTP_{PRIMARY_RISE}$; and $T_{J_secondary} \leq TSHUT_{SECONDARY_RISE}$
ENA	4	I	Enable pin. Forcing ENA LOW disables the device. Pull HIGH to enable normal device functionality. 5.5-V recommended maximum.
VIN	6, 7	P	Primary input voltage. PIN 6 is for analog input, and PIN 7 is for power input. For PIN 7, connect one 10- μ F ceramic capacitor from power VIN PIN 7 to power GNDP PIN 8. Connect a 0.1- μ F high-frequency bypass ceramic capacitor close to PIN 7 and PIN 8. Optionally, connect a 330pF 0402 size high-frequency bypass ceramic capacitor close to analog VIN PIN 6 and GNDP PIN 5.
VEE	19, 20, 21, 22, 23, 24, 25, 26, 27, 30, 31, 36	G	Secondary-side reference connection for VDD and COM. The VEE pins are used for the high current return paths.
VDD	28, 29	P	Secondary-side isolated output voltage from transformer. Connect a 2.2- μ F and a parallel 0.1- μ F ceramic capacitor from VDD to VEE. The 0.1- μ F ceramic capacitor is the high frequency bypass and must be next to the IC pins. A 4.7- μ F or 10- μ F ceramic capacitor can be used instead of 2.2 to further reduce the output ripple voltage.
RLIM	32	P	Secondary-side second isolated output voltage resistor to limit the source current from VDD to COM node, and the sink current from COM to VEE. Connect a resistor from RLIM to COM to regulate the $(COM - VEE)$ voltage. See RLIM Resistor Selection for more detail.
FBVEE	33	I	Feedback $(COM - VEE)$ output voltage sense pin used to adjust the output $(COM - VEE)$ voltage. Connect a resistor divider from COM to VEE so that the midpoint is connected to FBVEE, and the equivalent FBVEE voltage when regulating is 2.5 V. Add a 330-pF ceramic capacitor for high frequency decoupling in parallel with the low-side feedback resistor. The 330-pF ceramic capacitor for high frequency bypass must be next to the FBVEE and VEEA IC pins on top layer or back layer connected with vias.

表 5-1. Pin Functions (continued)

PIN		TYPE ⁽¹⁾	DESCRIPTION
NAME	NO.		
FBVDD	34	I	Feedback (VDD - VEE) output voltage sense pin and to adjust the output (VDD - VEE) voltage. Connect a resistor divider from VDD to VEE so that the midpoint is connected to FBVDD, and the equivalent FBVDD voltage when regulating is 2.5 V. Add a 330-pF ceramic capacitor for high frequency decoupling in parallel with the low-side feedback resistor. The 330-pF ceramic capacitor for high frequency bypass must be next to the FBVDD and VEEA IC pins on top layer or back layer connected with vias.
VEEA	35	G	Secondary-side analog sense reference connection for the noise sensitive analog feedback inputs, FBVDD and FBVEE. Connect the low-side feedback resistors and high frequency decoupling filter capacitor close to the VEEA pin and respective feedback pin FBVDD or FBVEE. Connect to secondary-side gate drive lowest voltage reference, VEE. Use a single point connection and place the high frequency decoupling ceramic capacitor close to the VEEA pin. See Layout Guidelines .

(1) P = power, G = ground, I = input, O = output

6 Specifications

6.1 Absolute Maximum Ratings

over operating free-air temperature range (unless otherwise noted)⁽¹⁾

Parameter		MIN	TYP	MAX	UNIT
	VIN to GNDP	- 0.3		32	V
	ENA, \overline{PG} to GNDP	- 0.3		7	V
	VDD, RLIM, FBVDD, FBVEE to VEE	- 0.3		32	V
P _{LOSS_MAX}	Total power loss at T _A =25°C			2.45	W
P _{OUT_VDD_MAX}	Total (VDD - VEE) output power at T _A =25°C			2.5	W
I _{RLIM_MAX_RMS_SOURCE}	Max RLIM pin rms current sourcing from VDD to RLIM. (16% average run time over lifetime of 24,500 hr)			0.125	A _{RMS}
I _{RLIM_MAX_RMS_SINK}	Max RLIM pin rms current sinking from RLIM to VEE. (16% average run time over lifetime of 24,500 hr)			0.125	A _{RMS}
T _J	Operating junction temperature range	- 40		150	°C
T _{stg}	Storage temperature	- 65		150	°C

- (1) Stresses beyond those listed under *Absolute Maximum Ratings* may cause permanent damage to the device. These are stress ratings only, which do not imply functional operation of the device at these or any other conditions beyond those indicated under *Recommended Operating Conditions*. Exposure to absolute-maximum-rated conditions for extended periods may affect device reliability.

6.2 ESD Ratings

			VALUE	UNIT
V _(ESD)	Electrostatic discharge	Human-body model (HBM), per AEC Q100-002 ⁽¹⁾	±2000	V
		Charged-device model (CDM), per AEC Q100-011 Section 7.2	±500	V

- (1) AEC Q100-002 indicates that HBM stressing shall be in accordance with the ANSI/ESDA/JEDEC JS-001 specification.

6.3 Recommended Operating Conditions

over operating free-air temperature range (unless otherwise noted)

PIN		MIN	TYP	MAX	UNIT
V _{VIN}	Primary-side input voltage to GNDP	21	24	27	V
V _{ENA}	Enable to GNDP	0		5.5	V
V _{PG}	Powergood to GNDP	0		5.5	V
V _{VDD}	VDD to VEE	18		25	V
V _{VEE}	COM to VEE	2.5		VDD - VEE	V
V _{FBVDD} , V _{FBVEE}	FBVDD, FBVEE to VEE	0	2.5	5.5	V
T _A	Ambient temperature	- 40		125	°C
T _J	Junction temperature	- 40		150	°C

6.4 Thermal Information

THERMAL METRIC ⁽¹⁾		DWN (SSOP)	UNIT
		36 PINS	
R _{θ JA}	Junction-to-ambient thermal resistance	52.3	°C/W
R _{θ JC(top)}	Junction-to-case (top) thermal resistance	28.5	°C/W

THERMAL METRIC ⁽¹⁾		DWN (SSOP)	UNIT
		36 PINS	
$R_{\theta JB}$	Junction-to-board thermal resistance	25.9	°C/W
Ψ_{JT}	Junction-to-top characterization parameter	16.6	°C/W
Ψ_{JB}	Junction-to-board characterization parameter	25.6	°C/W
$R_{\theta JC(bot)}$	Junction-to-case (bottom) thermal resistance	-	°C/W

(1) For more information about traditional and new thermal metrics, see the [Semiconductor and IC Package Thermal Metrics](#) application report.

6.5 Power Ratings

$V_{VIN} = 24\text{ V}$, $C_{IN} = 10\mu\text{F}$, $C_{OUT} = 2.2\text{ }\mu\text{F}$, $T_J = 150\text{ }^\circ\text{C}$, $V_{ENA} = 5\text{ V}$

PARAMETER		TEST CONDITIONS	TYP VALUE	UNIT
P_D	Power dissipation	(VDD - VEE) = 25 V, $P_{VDD-VEE} = 2\text{ W}$; (COM - VEE) = 5 V, No Load from (VDD - COM) or (COM - VEE)	1.65	W

6.6 Insulation Specifications

PARAMETER		TEST CONDITIONS	VALUE	UNIT
General				
CLR	External clearance ⁽¹⁾	Shortest terminal-to-terminal distance through air	> 8	mm
CPG	External creepage ⁽¹⁾	Shortest terminal-to-terminal distance across the package surface	> 8	mm
DTI	Distance through the insulation	Minimum internal gap (internal clearance - transformer power isolation)	> 120	μm
		Minimum internal gap (internal clearance - capacitive signal isolation)	> 8.6	μm
CTI	Comparative tracking index	DIN EN 60112 (VDE 0303-11); IEC 60112	> 600	V
	Material group	According to IEC 60664-1	I	
	Overvoltage category	Rated mains voltage $\leq 300\text{ VRMS}$	I-IV	
		Rated mains voltage $\leq 600\text{ VRMS}$	I-IV	
		Rated mains voltage $\leq 1000\text{ VRMS}$	I-III	
DIN EN IEC 60747-17 (VDE 0884-17) (Planned Certification Targets) ⁽²⁾				
V_{IORM}	Maximum repetitive peak isolation voltage	AC voltage (bipolar)	1202	V_{PK}
V_{IOWM}	Maximum working isolation voltage	AC voltage (sine wave) Time dependent dielectric breakdown (TDDb) test	850	V_{RMS}
		DC voltage	1202	V_{DC}
V_{IOTM}	Maximum transient isolation voltage	$V_{TEST} = V_{IOTM}$, $t = 60\text{ s}$ (qualification); $V_{TEST} = 1.2 \times V_{IOTM}$, $t = 1\text{ s}$ (100% production)	4243	V_{PK}
V_{IMP}	Maximum impulse voltage ⁽³⁾	Tested in air, 1.2/50- $\mu\text{ s}$ waveform per IEC 62368-1	5000	V_{PK}
V_{IOSM}	Maximum surge isolation voltage ⁽³⁾	Tested in oil (qualification test), 1.2/50- $\mu\text{ s}$ waveform per IEC 62368-1	6500	V_{PK}
qpd	Apparent charge ⁽⁴⁾	Method a, After Input/Output safety test subgroup 2/3, $V_{ini} = V_{IOTM}$, $t_{ini} = 60\text{ s}$; $V_{pd(m)} = 1.2 \times V_{IORM}$, $t_m = 10\text{ s}$	≤ 5	pC
		Method a, After environmental tests subgroup 1, $V_{ini} = V_{IOTM}$, $t_{ini} = 60\text{ s}$; $V_{pd(m)} = 1.3 \times V_{IORM}$, $t_m = 10\text{ s}$	≤ 5	pC
		Method b1: At routine test (100% production) and preconditioning (type test); $V_{ini} = 1.2 \times V_{IOTM}$, $t_{ini} = 1\text{ s}$; $V_{pd(m)} = 1.5 \times V_{IORM}$, $t_m = 1\text{ s}$	≤ 5	pC

PARAMETER		TEST CONDITIONS	VALUE	UNIT
C _{IO}	Barrier capacitance, input to output ⁽⁵⁾	V _{IO} = 0.4 sin (2 π ft), f = 1 MHz	< 3.5	pF
R _{IO}	Isolation resistance, input to output ⁽⁵⁾	V _{IO} = 500 V, T _A = 25°C	> 10 ¹²	Ω
		V _{IO} = 500 V, 100°C ≤ T _A ≤ 125°C	> 10 ¹¹	Ω
		V _{IO} = 500 V at T _S = 150°C	> 10 ⁹	Ω
	Pollution degree		2	
	Climatic category		40/125/21	
UL 1577 (Planned Certification Target)				
V _{ISO}	Withstand isolation voltage	Withstand isolation voltage V _{TEST} = V _{ISO} = 3000 V _{RMS} , t = 60s (qualification) V _{TEST} = 1.2 × V _{ISO} = 3600 V _{RMS} , t = 1 s (100% production)	3000	V _{RMS}

- (1) Creepage and clearance requirements should be applied according to the specific equipment isolation standards of an application. Care should be taken to maintain the creepage and clearance distance of a board design to ensure that the mounting pads of the isolator on the printed-circuit board do not reduce this distance. Creepage and clearance on a printed-circuit board become equal in certain cases. Techniques such as inserting grooves and/or ribs on a printed-circuit board are used to help increase these specifications.
- (2) This coupler is suitable for *basic electrical insulation* only within the maximum operating ratings. Compliance with the safety ratings shall be ensured by means of suitable protective circuits.
- (3) Testing is carried out in air or oil to determine the intrinsic surge immunity of the isolation barrier
- (4) Apparent charge is electrical discharge caused by a partial discharge (pd).
- (5) All pins on each side of the barrier tied together creating a two-terminal device

6.7 Safety-Related Certifications

VDE	UL	CQC
Plan to certify according to DIN EN IEC 60747-17 (VDE 0884-17)	Plan to certify under UL 1577 Component Recognition Program	Plan to certify according to GB4943.1
Basic insulation Maximum transient isolation voltage, 4243 V _{PK} ; Maximum repetitive peak isolation voltage, 1202 V _{PK} ; Maximum surge isolation voltage, 6500 V _{PK}	Single protection, 3000 V _{RMS}	Basic insulation, Altitude ≤ 5000 m, Tropical Climate, 595 V _{RMS} maximum working voltage
Certificate number: (planned)	File number: (planned)	Certificate number: (planned)

6.8 Electrical Characteristics

Over operating temperature range (- 40 °C ≤ T_J ≤ 150 °C, 21 V ≤ V_{VIN} ≤ 27 V, C_{IN} = 10μF, C_{OUT} = 2.2 μF, V_{ENA} = 5 V, R_{LIM} = 1 kΩ, unless otherwise noted. All typical values at T_A = 25 °C and V_{VIN} = 24 V.

PARAMETER		TEST CONDITIONS	MIN	TYP	MAX	UNIT
INPUT SUPPLY (Primary-side. All voltages with respect to GNDP)						
V _{VIN}	Input voltage range	Primary-side input voltage to GNDP	21	24	27	V
I _{VINQ_OFF}	VIN quiescent current, disabled	V _{ENA} =0 V; V _{VIN} = 21 V - 27 V			700	μA
I _{VIN_ON_NO_LOAD}	VIN operating current, enabled, No Load	V _{ENA} = 5 V; V _{VIN} = 21 V - 27 V; (V _{DD} - V _{EE}) = 25-V regulating; I _{VDD} - V _{EE} = 0 mA			35	mA
I _{VIN_ON_FULL_LOAD}	VIN operating current, enabled, Full Load	V _{ENA} =5 V; V _{VIN} = 21 V - 27 V; (V _{DD} - V _{EE}) = 25-V regulating; I _{VDD} - V _{EE} = 60 mA			250	mA
UVLOP COMPARATOR (Primary-side. All voltages with respect to GNDP)						
V _{VIN_ANALOG_UVLOP_RISING}	VIN analog undervoltage lockout rising threshold		8	9	10	V
V _{VIN_ANALOG_UVLOP_FALLING}	VIN analog undervoltage lockout falling threshold		7	8	9	V
V _{VIN_UVLOP_RISING}	VIN undervoltage lockout rising threshold		19	20	21	V

Over operating temperature range ($-40\text{ }^{\circ}\text{C} \leq T_J \leq 150\text{ }^{\circ}\text{C}$, $21\text{ V} \leq V_{VIN} \leq 27\text{ V}$, $C_{IN} = 10\mu\text{F}$, $C_{OUT} = 2.2\mu\text{F}$, $V_{ENA} = 5\text{ V}$, $R_{LIM} = 1\text{ k}\Omega$, unless otherwise noted. All typical values at $T_A = 25\text{ }^{\circ}\text{C}$ and $V_{VIN} = 24\text{ V}$.

PARAMETER		TEST CONDITIONS	MIN	TYP	MAX	UNIT
$V_{VIN_UVLOP_FALLING}$	VIN undervoltage lockout falling threshold		17.1	18	18.9	V
OVLO COMPARATOR (Primary-side. All voltages with respect to GNDP)						
$V_{VIN_OVLO_RISE}$	VIN overvoltage lockout rising threshold		29.45	31	32.55	V
$V_{VIN_OVLO_FALLING}$	VIN overvoltage lockout falling threshold		27.55	29	30.45	V
THERMAL SHUTDOWN COMPARATOR (Primary-side)						
$TSHUT_{PRIMARY_RISE}$	Primary-side over-temperature shutdown rising threshold ⁽¹⁾	First time at power-up T_J needs to be $< 130\text{ }^{\circ}\text{C}$ to turn on	140	150	160	$^{\circ}\text{C}$
$TSHUT_{PRIMARY_HYST}$	Primary-side over-temperature shutdown hysteresis ⁽¹⁾		15	20	25	$^{\circ}\text{C}$
ENA INPUT PIN (Primary-side. All voltages with respect to GNDP)						
V_{EN_IR}	Input voltage rising threshold, logic HIGH	Rising edge			2.1	V
V_{EN_IF}	Input voltage falling threshold, logic LOW	Falling edge	0.8			V
I_{EN}	Enable Pin Input Current	$V_{ENA} = 5.0\text{ V}$		5	10	μA
PG OPEN-DRAIN OUTPUT PIN (Primary-side. All voltages with respect to GNDP)						
$V_{PG_OUT_LO}$	PG output-low saturation voltage	Sink Current = 5 mA, power good			0.5	V
$I_{PG_OUT_HI}$	PG Leakage current	$V_{PG} = 5.5\text{ V}$, power not good			5	μA
F_{SW}	Switching frequency	$V_{VIN} = 24\text{ V}$; $V_{ENA} = 5\text{ V}$; $(V_{DD}-V_{EE}) = 25\text{ V}$	11	13	15	MHz
F_{SSM}	Frequency of Spread Spectrum Modulation (SSM) triangle waveform	Only during primary-side startup starting after $V_{IN} > UVLOP$, and $ENA = HIGH$; $F_{SS_BURST_P} = 1/8\mu\text{s} = 125\text{ kHz}$		90		kHz
SSM Percentage change of $F_{CARRIER}$	SSM Percent change of carrier frequency during Spread Spectrum Modulation (SSM) by triangle waveform	Only during primary-side startup starting after $V_{IN} > UVLOP$, and $ENA = HIGH$; $F_{SS_BURST_P} = 1/8\mu\text{s} = 125\text{ kHz}$		5		%
$t_{SOFT_START_TIME_OUT}$	Primary-side soft-start time-out	Timer begins when $V_{IN} > UVLOP$ and $ENA = High$ and reset when Powergood pin indicates Good		16		ms
VDD OUTPUT VOLTAGE (Secondary-side. All voltages with respect to VEE)						
V_{VDD_RANGE}	(VDD - VEE) Output voltage range		18		25	V
$V_{VDD_DC_ACCURACY}$	(VDD - VEE) Output voltage DC regulation accuracy	Secondary-side (VDD - VEE) output voltage, over load, line and temperature range, externally adjust with external resistor divider	-1.3		1.3	%
VDD REGULATION HYSTERETIC COMPARATOR (Secondary-side. All voltages with respect to VEE)						
V_{FBVDD_REF}	Feedback regulation reference voltage for (VDD - VEE)	(VDD - VEE) output in regulation	2.4675	2.5	2.5325	V
V_{FBVDD_HYST}	FBVDD Hysteresis comparator hysteresis settings. Hysteresis at the FBVDD pin. [The (VDD-VEE) hysteresis would amplify this FBVDD hysteresis by the feedback resistor divider gain.]		9	10	12.3	mV
COM OUTPUT VOLTAGE (Secondary-side. All voltages with respect to VEE)						
V_{VEE_RANGE}	(COM - VEE) Output voltage range		2.5		(VDD - VEE)	V

Over operating temperature range ($-40\text{ }^{\circ}\text{C} \leq T_J \leq 150\text{ }^{\circ}\text{C}$, $21\text{ V} \leq V_{VIN} \leq 27\text{ V}$, $C_{IN} = 10\mu\text{F}$, $C_{OUT} = 2.2\mu\text{F}$, $V_{ENA} = 5\text{ V}$, $R_{LIM} = 1\text{ k}\Omega$, unless otherwise noted. All typical values at $T_A = 25\text{ }^{\circ}\text{C}$ and $V_{VIN} = 24\text{ V}$.

PARAMETER		TEST CONDITIONS	MIN	TYP	MAX	UNIT
$V_{VEE_DC_ACCURACY}$	(COM - VEE) Output voltage DC regulation accuracy	Secondary-side (COM - VEE) output voltage, over load, line and temperature range, externally adjust with external resistor divider	- 1.3		1.3	%
COM REGULATION HYSTERETIC COMPARATOR (Secondary-side. All voltages with respect to VEE)						
V_{FBVEE_REF}	Feedback regulation reference voltage for (COM - VEE)	(COM - VEE) output in regulation	2.4675	2.5	2.5325	V
$V_{RLIM_SHORT_CHRG_CMP_RISE}$	RLIM pin Short Charge comparator rising threshold to exit PWM	Rising threshold		0.73		V
$t_{RLIM_SHORT_CHRG_ON_TIME}$	On-Time during RLIM pin Short Charge PWM mode	RLIM pin < 0.645 V, while FBVEE pin < 2.48 V		1.2		us
$t_{RLIM_SHORT_CHRG_OFF_TIME}$	Off-Time during RLIM pin Short Charge PWM mode	RLIM pin < 0.645 V, while FBVEE pin < 2.48 V		5		us
UVLOS COMPARATOR (Secondary-side. All voltages with respect to VEE)						
$V_{VDD_UVLO_RISE}$	(VDD - VEE) undervoltage lockout rising threshold	Voltage at FBVDD		0.9		V
$V_{VDD_UVLO_HYST}$	(VDD - VEE) undervoltage lockout hysteresis	Voltage at FBVDD		0.2		V
OVLOS COMPARATOR (Secondary-side. All voltages with respect to VEE)						
$V_{VDD_OVLOS_RISE}$	(VDD - VEE) overvoltage lockout rising threshold	Voltage from VDD to VEE, rising	29.45	31	32.55	V
$V_{VDD_OVLOS_FALLIN_G}$	(VDD - VEE) overvoltage lockout falling threshold	Voltage from VDD to VEE, falling	27.55	29	30.45	V
SOFT-START (Secondary-side. All voltages with respect to VEE)						
$V_{REF_Voltage_per_Steps}$	Voltage per step	7 Steps of 200mV each, starting from 1.3V and ending at 2.5V.		0.2		V
$V_{REF_Voltage_Start}$	VREF voltage at Start of secondary-side soft-start	7 Steps of 200mV each, starting from 1.3V and ending at 2.5V.		1.3		V
$V_{REF_Voltage_End}$	VREF voltage at End of secondary-side soft-start	7 Steps of 200mV each, starting from 1.3V and ending at 2.5V.		2.5		V
UVP1, (VDD - VEE) UNDER -VOLTAGE PROTECTION COMPARATOR (Secondary-side. All voltages with respect to VEE)						
$V_{VDD_UVP_RISE}$	(VDD - VEE) under-voltage protection rising threshold, $V_{UVP} = V_{REF} \times 90\%$		2.175	2.25	2.35	V
$V_{VDD_UVP_HYST}$	(VDD - VEE) undervoltage protection hysteresis			20		mV
OVP1, (VDD - VEE) OVER-VOLTAGE PROTECTION COMPARATOR (Secondary-side. All voltages with respect to VEE)						
$V_{VDD_OVP_RISE}$	(VDD - VEE) over-voltage protection rising threshold, $V_{OVP} = V_{REF} \times 110\%$		2.7	2.75	2.825	V
$V_{VDD_OVP_HYST}$	(VDD - VEE) overvoltage protection hysteresis			20		mV
UVP2, (COM - VEE) UNDER -VOLTAGE PROTECTION COMPARATOR (Secondary-side. All voltages with respect to VEE)						
$V_{VEE_UVP_RISE}$	(COM - VEE) under-voltage protection rising threshold, $V_{UVP} = V_{REF} \times 90\%$		2.1	2.25	2.4	V
$V_{VEE_UVP_HYST}$	(COM - VEE) undervoltage protection hysteresis			20		mV
OVP2, (COM - VEE) OVER-VOLTAGE PROTECTION COMPARATOR (Secondary-side. All voltages with respect to VEE)						
$V_{VEE_OVP_RISE}$	(COM - VEE) over-voltage protection rising threshold, $V_{OVP} = V_{REF} \times 110\%$		2.7	2.75	2.825	V

Over operating temperature range ($-40\text{ }^{\circ}\text{C} \leq T_J \leq 150\text{ }^{\circ}\text{C}$, $21\text{ V} \leq V_{VIN} \leq 27\text{ V}$, $C_{IN} = 10\mu\text{F}$, $C_{OUT} = 2.2\mu\text{F}$, $V_{ENA} = 5\text{ V}$, $R_{LIM} = 1\text{ k}\Omega$, unless otherwise noted. All typical values at $T_A = 25\text{ }^{\circ}\text{C}$ and $V_{VIN} = 24\text{ V}$.

PARAMETER		TEST CONDITIONS	MIN	TYP	MAX	UNIT
$V_{VEE_OVP_HYST}$	(COM - VEE) over-voltage protection hysteresis			20		mV
THERMAL SHUTDOWN COMPARATOR (Secondary-side)						
$TSHUTS_{SECONDARY_RISE}$	Secondary -side over-temperature shutdown rising threshold ⁽¹⁾	First time at power-up T_J needs to be $< 130\text{ }^{\circ}\text{C}$ to turnon.	145	150	155	$^{\circ}\text{C}$
$TSHUTS_{SECONDARY_HYST}$	Secondary-side over-temperature shutdown hysteresis ⁽¹⁾		15	20	25	$^{\circ}\text{C}$
CMTI (Common Mode Transient Immunity)						
CMTI	Common Mode Transient Immunity	Positive VEE with respect to GNDP	150			V/ns
		Negative VEE with respect to GNDP			- 150	V/ns
INTEGRATED TRANSFORMER (Primary-side to Secondary-side)						
N	Transformer effective turns ratio	Secondary side to primary side		1.18		-

(1) Functionality tested in production. MIN, TYP, MAX ensured by characterization.

6.9 Safety Limiting Values

PARAMETER		TEST CONDITIONS	MAX	UNIT
I_S	Safety input rms current (VDD-VEE)	$R_{\theta JA} = 52.3\text{ }^{\circ}\text{C}/\text{W}$, $V_{VIN} = 27\text{ V}$, $T_J = 150\text{ }^{\circ}\text{C}$, $T_A = 25\text{ }^{\circ}\text{C}$, $P_{OUT} = 2\text{ W}$ ^{(1) (2)}	150	mA
		$R_{\theta JA} = 52.3\text{ }^{\circ}\text{C}/\text{W}$, $V_{VIN} = 21\text{ V}$, $T_J = 150\text{ }^{\circ}\text{C}$, $T_A = 25\text{ }^{\circ}\text{C}$, $P_{OUT} = 2\text{ W}$ ^{(1) (2)}	200	mA
P_S	Safety power dissipation (input power - output power)	$R_{\theta JA} = 52.3\text{ }^{\circ}\text{C}/\text{W}$, $T_J = 150\text{ }^{\circ}\text{C}$, $T_A = 25\text{ }^{\circ}\text{C}$ ^{(1) (2)}	2.39	W
T_S	Safety temperature	^{(1) (2)}	150	$^{\circ}\text{C}$

- The maximum safety temperature, T_S , has the same value as the maximum junction temperature, T_J , specified for the device. The I_S and P_S parameters represent the safety current and safety power respectively. The maximum limits of I_S and P_S should not be exceeded. These limits vary with the ambient temperature, T_A .
- The junction-to-air thermal resistance, $R_{\theta JA}$, in the Thermal Information table is that of a device installed on a high-K test board for leaded surface-mount packages. Use these equations to calculate the value for each parameter: $T_J = T_A + R_{\theta JA} \times P$, where P is the power dissipated in the device. $T_{J(max)} = T_S = T_A + R_{\theta JA} \times P_S$, where $T_{J(max)}$ is the maximum allowed junction temperature. $P_S = I_S \times V_I$, where V_I is the maximum input voltage.

6.10 Insulation Characteristics

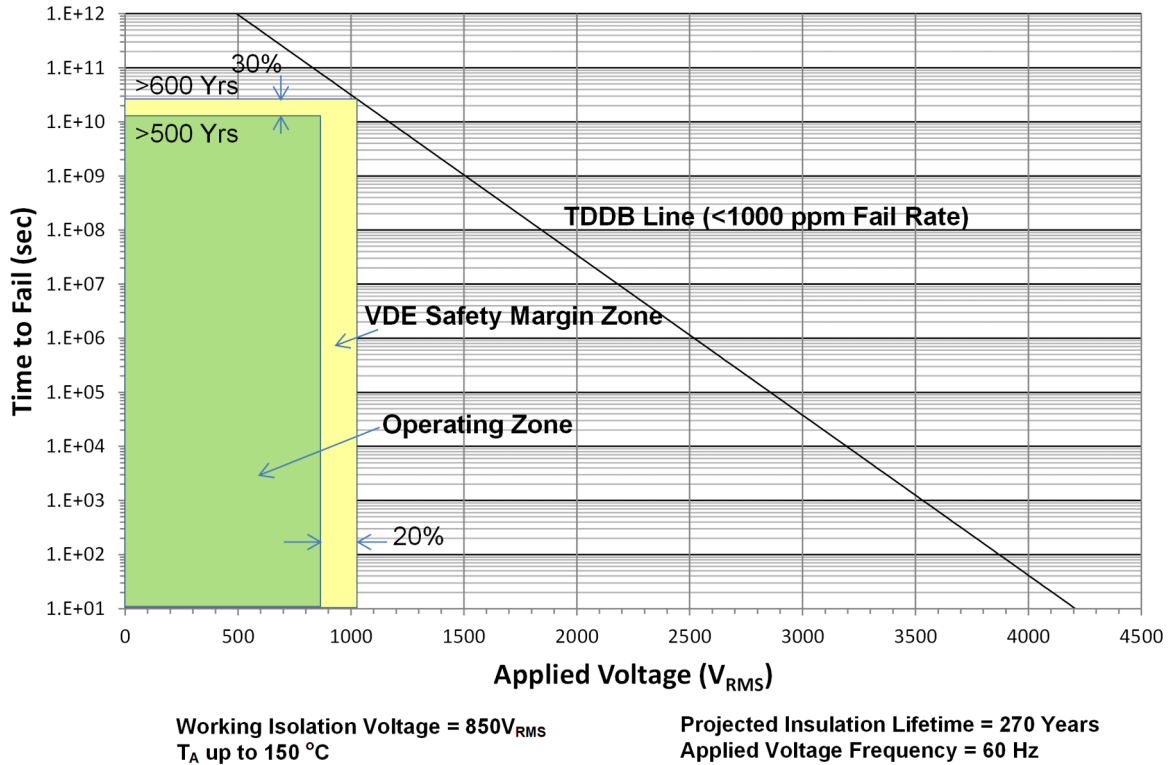


图 6-1. TDDB: Insulation Lifetime Projection for 850 Vrms Working Voltage.

Insulation lifetime projection data is collected by using industry-standard Time Dependent Dielectric Breakdown (TDDB) test method. In this test, all pins on each side of the barrier are tied together creating a two-terminal device and high voltage applied between the two sides; The insulation breakdown data is collected at various high voltages switching at 60 Hz over temperature. For basic insulation, VDE standard requires the use of TDDB projection line with failure rate of less than 1000 part per million (ppm). Even though the expected minimum insulation lifetime is 20 years at the specified working isolation voltage, VDE basic certification requires additional safety margin of 20% for working voltage and 30% for lifetime which translates into minimum required insulation lifetime of 26 years at a working voltage that's 20% higher than the specified value. The TDDB projection line shows the intrinsic capability of the isolation barrier to withstand high voltage stress over its lifetime. Based on the TDDB data, the intrinsic capability of the insulation is 850 V_{RMS} with a lifetime of 270 years.

6.11 Typical Characteristics

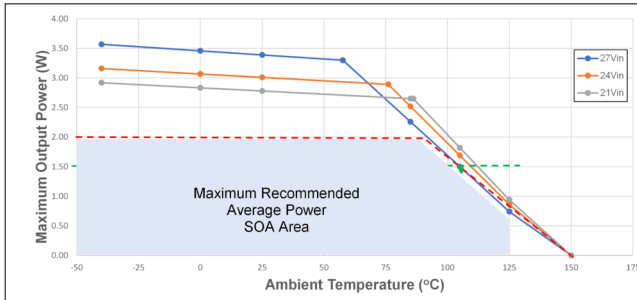


图 6-2. SOA Derating Curves: $V_{VDD-VEE} = 18\text{ V}$, $V_{COM-VEE} = 5\text{ V}$, No Load.

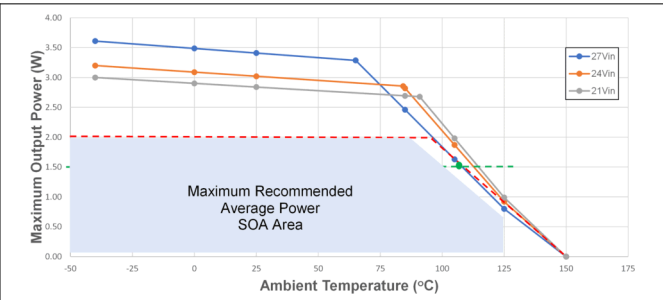


图 6-3. SOA Derating Curves: $V_{VDD-VEE} = 20\text{ V}$, $V_{COM-VEE} = 5\text{ V}$, No Load

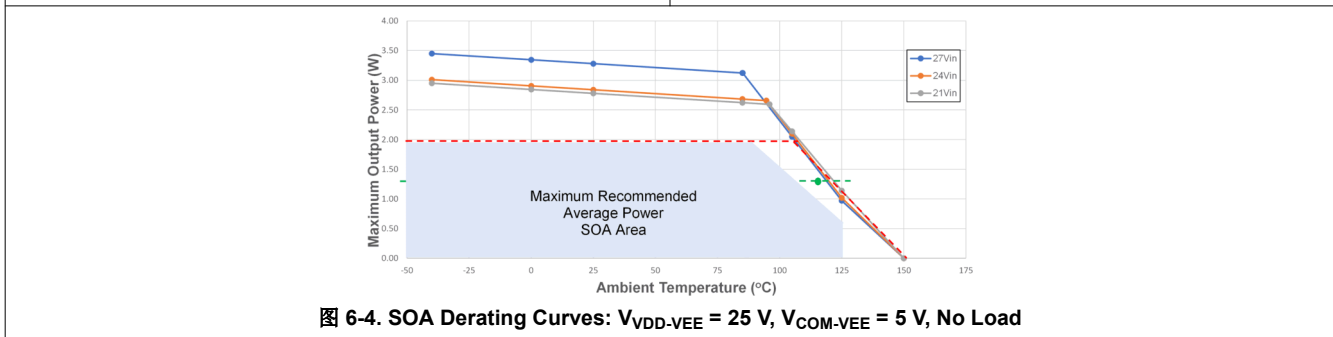


图 6-4. SOA Derating Curves: $V_{VDD-VEE} = 25\text{ V}$, $V_{COM-VEE} = 5\text{ V}$, No Load

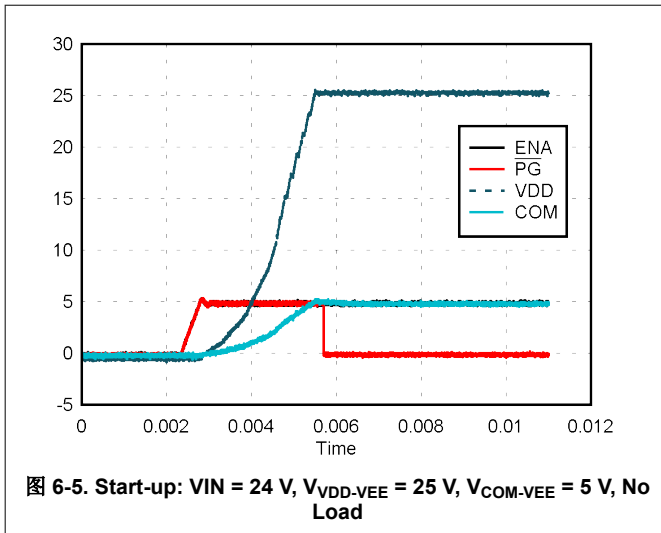


图 6-5. Start-up: $V_{IN} = 24\text{ V}$, $V_{VDD-VEE} = 25\text{ V}$, $V_{COM-VEE} = 5\text{ V}$, No Load

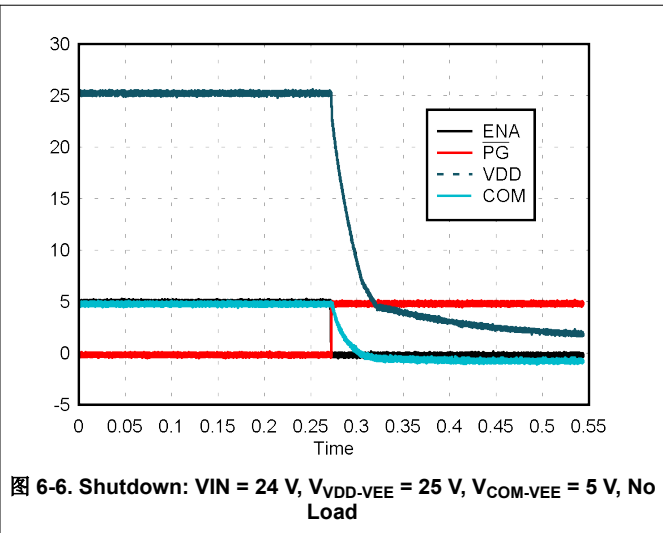


图 6-6. Shutdown: $V_{IN} = 24\text{ V}$, $V_{VDD-VEE} = 25\text{ V}$, $V_{COM-VEE} = 5\text{ V}$, No Load

6.11 Typical Characteristics (continued)

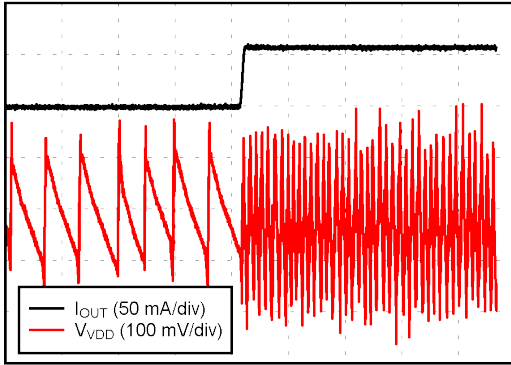


图 6-7. Load Transient Response: No Load to 1 W, $V_{IN} = 24\text{ V}$, $V_{DD-VEE} = 25\text{ V}$, $V_{COM-VEE} = 5\text{ V}$

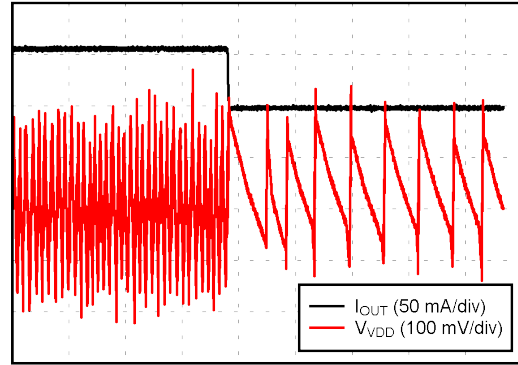


图 6-8. Load Transient Response: 1 W to No Load, $V_{IN} = 24\text{ V}$, $V_{DD-VEE} = 25\text{ V}$, $V_{COM-VEE} = 5\text{ V}$

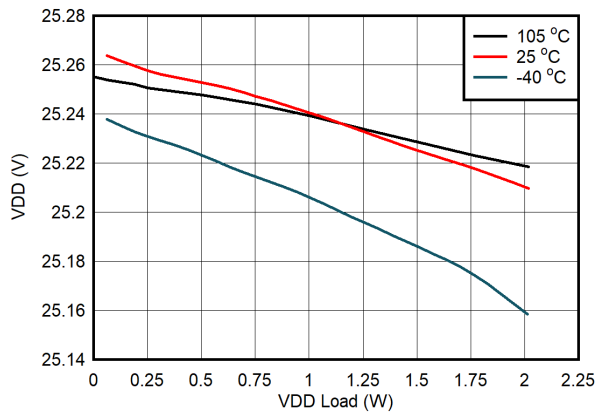


图 6-9. V_{DD-VEE} Load Regulation: $V_{IN} = 21\text{ V}$, $V_{DD-VEE} = 25\text{ V}$, $V_{COM-VEE} = 5\text{ V}$

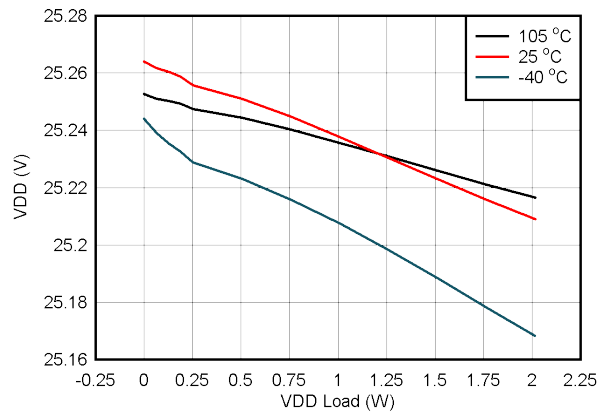


图 6-10. V_{DD-VEE} Load Regulation: $V_{IN} = 24\text{ V}$, $V_{DD-VEE} = 25\text{ V}$, $V_{COM-VEE} = 5\text{ V}$

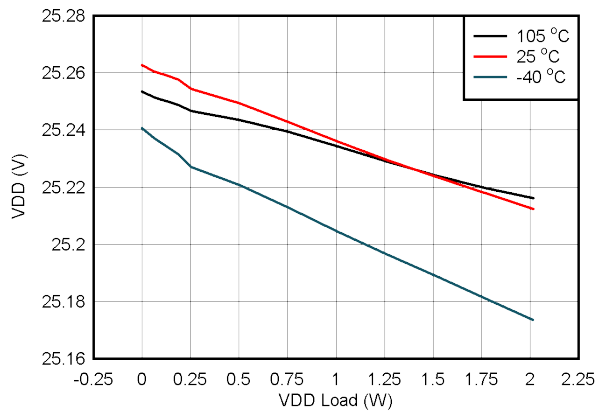


图 6-11. V_{DD-VEE} Load Regulation: $V_{IN} = 27\text{ V}$, $V_{DD-VEE} = 25\text{ V}$, $V_{COM-VEE} = 5\text{ V}$

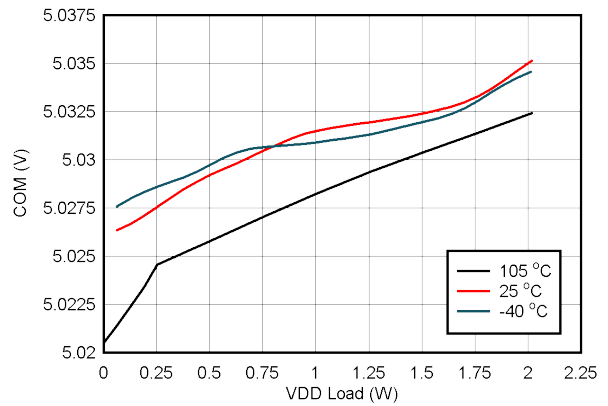


图 6-12. $V_{COM-VEE}$ Load Regulation: $V_{IN} = 21\text{ V}$, $V_{DD-VEE} = 25\text{ V}$, $V_{COM-VEE} = 5\text{ V}$

6.11 Typical Characteristics (continued)

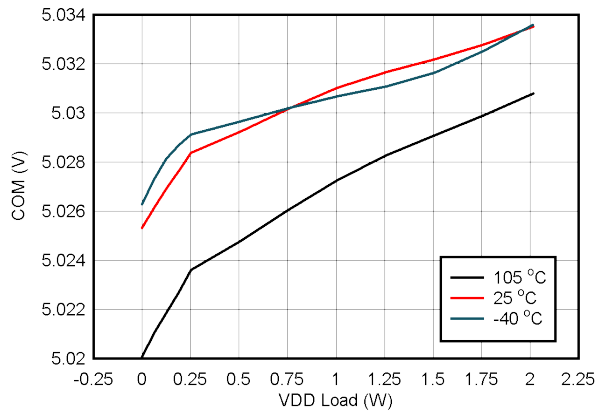


图 6-13. $V_{COM-VEE}$ Load Regulation: $V_{IN} = 24\text{ V}$, $V_{VDD-VEE} = 25\text{ V}$, $V_{COM-VEE} = 5\text{ V}$

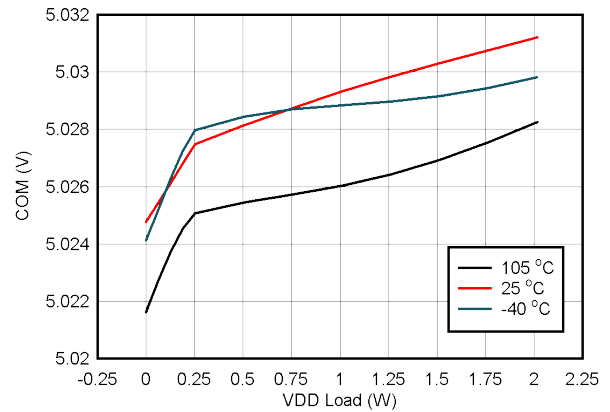


图 6-14. $V_{COM-VEE}$ Load Regulation: $V_{IN} = 27\text{ V}$, $V_{VDD-VEE} = 25\text{ V}$, $V_{COM-VEE} = 5\text{ V}$

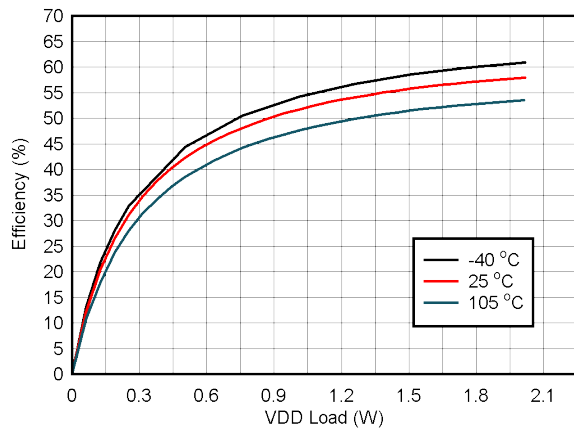


图 6-15. Efficiency vs Load on $V_{VDD-VEE}$: $V_{IN} = 21\text{ V}$, $V_{VDD-VEE} = 25\text{ V}$, $V_{COM-VEE} = 5\text{ V}$, No Load on $V_{COM-VEE}$

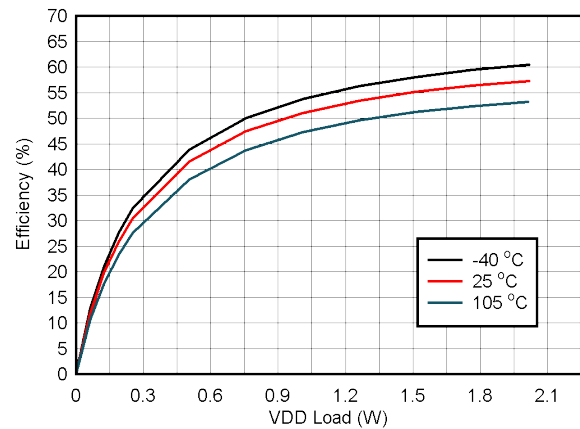


图 6-16. Efficiency vs Load on $V_{VDD-VEE}$: $V_{IN} = 24\text{ V}$, $V_{VDD-VEE} = 25\text{ V}$, $V_{COM-VEE} = 5\text{ V}$, No Load on $V_{COM-VEE}$

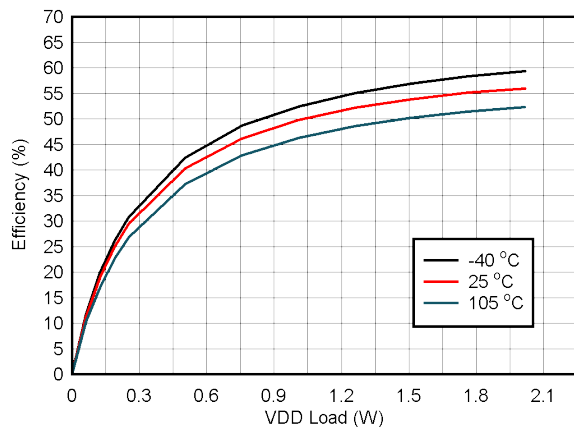


图 6-17. Efficiency vs Load on $V_{VDD-VEE}$: $V_{IN} = 27\text{ V}$, $V_{VDD-VEE} = 25\text{ V}$, $V_{COM-VEE} = 5\text{ V}$, No Load on $V_{COM-VEE}$

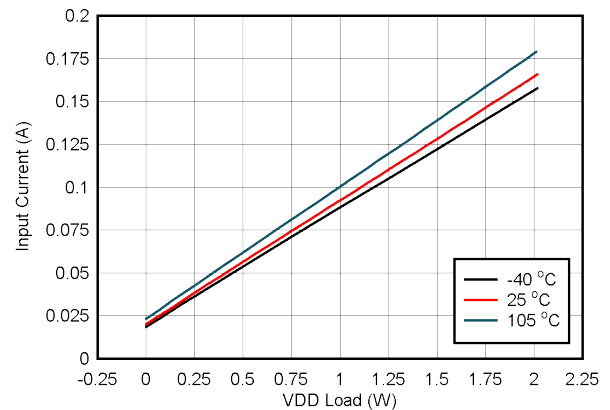


图 6-18. Input Current vs Load on $V_{VDD-VEE}$: $V_{IN} = 21\text{ V}$, $V_{VDD-VEE} = 25\text{ V}$, $V_{COM-VEE} = 5\text{ V}$, No Load on $V_{COM-VEE}$

6.11 Typical Characteristics (continued)

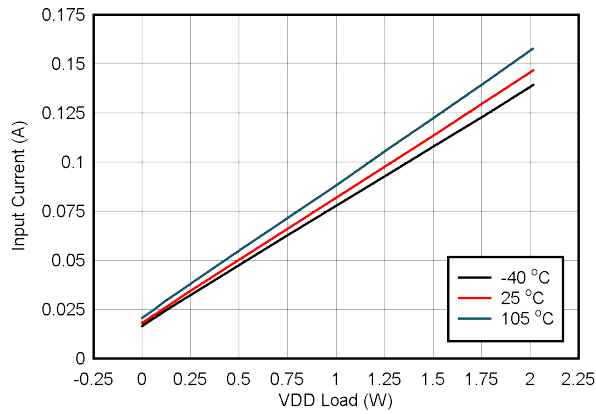


图 6-19. Input Current vs Load on V_{DD-VEE} : $V_{IN} = 24\text{ V}$, $V_{VDD-VEE} = 25\text{ V}$, $V_{COM-VEE} = 5\text{ V}$, No Load on $V_{COM-VEE}$

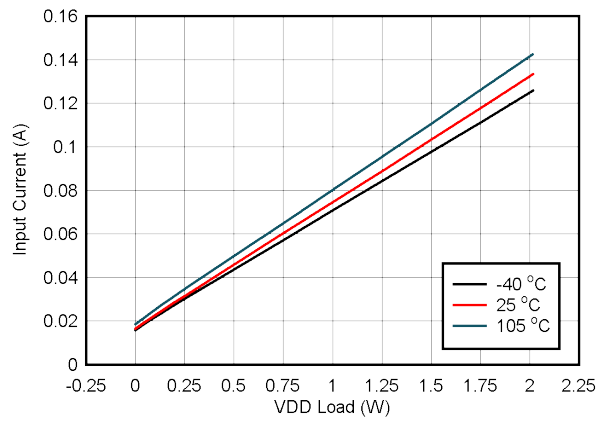


图 6-20. Input Current vs Load on V_{DD-VEE} : $V_{IN} = 27\text{ V}$, $V_{VDD-VEE} = 25\text{ V}$, $V_{COM-VEE} = 5\text{ V}$, No Load on $V_{COM-VEE}$

7 Detailed Description

7.1 Overview

UCC14240-Q1 device is suitable for applications that have limited board space and require more integration. These devices are also suitable for very-high voltage applications, where power transformers meeting the required isolation specifications are bulky and expensive. The low-profile, low-center of gravity, and low weight provides a higher vibration tolerance than systems using large bulky transformers. The device is easy-to-use and provides flexibility to adjust both positive and negative output voltages as needed when optimizing the gate voltage for maximum efficiency while protecting gate oxide from over-stress with its tight voltage regulation accuracy.

The device integrates a high-efficiency, low-emissions isolated DC/DC converter for powering the gate drive of SiC or IGBT power devices in traction inverter motor drives, industrial motor drives, or other high voltage DC/DC converters. This DC/DC converter provides greater than 1.5 W of power.

The integrated DC/DC converter uses switched mode operation and proprietary circuit techniques to reduce power losses and boost efficiency. Specialized control mechanisms, clocking schemes, and the use of an on-chip transformer provide high efficiency and low radiated emissions.

The integrated transformer provides power delivery throughout a wide temperature range while maintaining a 3000- V_{RMS} isolation, and an 850- V_{RMS} continuous working voltage. The low isolation capacitance of the transformer provides high CMTI allowing fast dv/dt switching and higher switching frequencies, while emitting less noise.

The V_{VIN} supply is provided to the primary-side power controller that switches the input stage connected to the integrated transformer. Power is transferred to the secondary-side output stage, and regulated to a level set by the resistor divider connected between the (VDD - VEE) pin and the FBVDD pin with respect to the VEE pin. The output voltage is adjustable with external resistor divider allowing a wide (VDD - VEE) range.

For optimal performance ensure to maintain the V_{VIN} input voltage within the recommended operating voltage range. Do not exceed the absolute maximum voltage rating to avoid over-stressing the input pins.

A fast hysteretic feedback burst control loop monitors (VDD - VEE) and ensures the output voltage is kept within the hysteresis with low overshoots and undershoots during load and line transients. The burst control loop enables efficient operation across full load and allows a wide VOUT adjustability throughout the whole V_{VIN} range. The undervoltage lockout (UVLO) protection monitors the input voltage pin, VIN, with hysteresis and input filter ensuring robust system performance under noisy conditions. The overvoltage lockout (OVLO) protection monitors the input voltage pin, VIN, protects against over-voltage stress by disabling switching and reducing the internal peak voltage. Controlled soft-start timing, provided throughout the full power-up time, limits the peak input inrush current while charging the output capacitor and load.

The UCC14240-Q1 also provides a second output rail, (COM - VEE), that is used as a negative bias for the gate drivers, allowing quicker turn-off switching for the IGBTs, and also to protect from unwanted turn-on during fast switching of SiC devices. (COM - VEE) has a simple, yet fast and efficient bias controller to ensure the positive and negative rails are regulated during the PWM switching. The COM pin can be connected from the source of SiC device or emitter of an IGBT device. An external current limiting resistor allows the designer to program the sink and source current peak according to the needs of the gate drive system.

A fault protection and powergood status pin provides a mechanism for the host controller to monitor the status of the DC/DC converter and provide proper sequencing of power and PWM control signals to the gate driver. Fault protection includes undervoltage, overvoltage, over-temperature shutdown, and a 100 μ s isolated channel communication interface watchdog timer.

A typical soft-start ramp-up time is approximately 3 ms, but varies based on input voltage, output voltage, output capacitance, and load. If either output is shorted or over-loaded, the device is not able to power-up within the 16-ms soft-start watch-dog-timer protection time, so the device latches off for protection. The latch can be reset by toggling the ENA pin or powering VIN down and up.

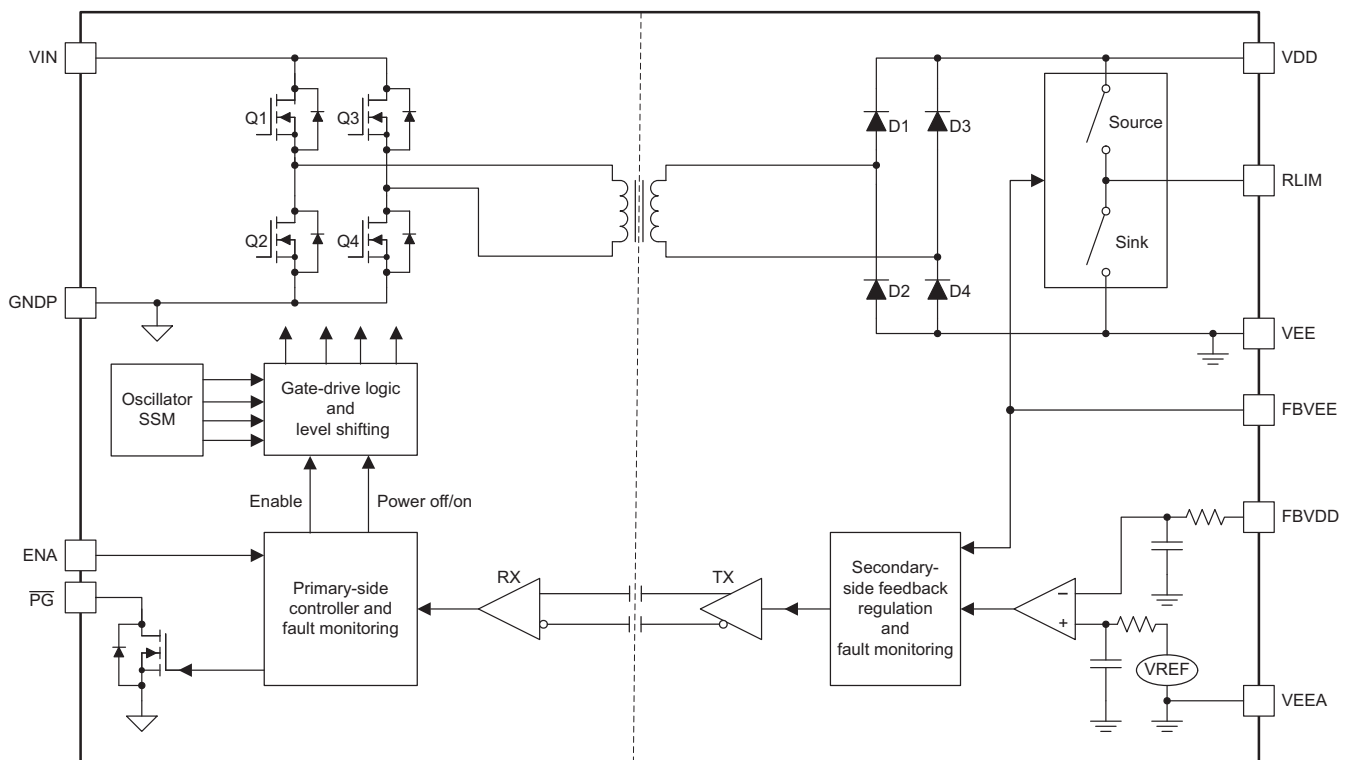
The output load must be kept low until start-up is complete and \overline{PG} pin is low. When powering up, do not apply a heavy load to (VDD - VEE) or (COM - VEE) outputs until the /PG pin has indicated power is good (pulling logic low) to avoid problems providing the power to ramp-up the voltage.

TI recommends to use the \overline{PG} status indicator as a trigger point to start the PWM signal into the gate driver. \overline{PG} output removes any ambiguity as to when the outputs are ready by providing a robust closed loop indication of when both (VDD - VEE) and (COM - VEE) outputs have reached their regulation threshold within $\pm 10\%$.

Do not allow the host to begin PWM to gate driver until after \overline{PG} goes low. This action typically occurs less than 16 ms after $V_{VIN} > V_{VIN_UVLOP}$ and ENA goes high. The /PG status output indicates the power is good after soft start of (VDD - VEE) and (COM - VEE) and are within $\pm 10\%$ of regulation.

If the host is not monitoring \overline{PG} , then ensure that the host does not begin PWM to gate driver until 20 ms after $V_{VIN} > V_{VIN_UVLOP}$ and ENA goes high to allow enough time for power to be good after soft start of VDD and VEE.

7.2 Functional Block Diagram



7.3 Feature Description

7.3.1 Power Stage Operation

The UCC14240-Q1 module uses an active full-bridge inverter on the primary-side and a passive full-bridge rectifier on the secondary-side. The small integrated transformer has a relatively high carrier frequency to reduce the size for integrating into the 36-pin SOIC package. The power stage carrier frequency operates within 10 MHz to 16 MHz. The power stage carrier frequency is determined by input voltage with a feed-forward control: when V_{VIN} is less than 21 V, the frequency is clamped at 16 MHz; when V_{VIN} is higher than 27 V, the frequency is clamped at 10 MHz; when V_{VIN} is between 21 V and 27 V, the frequency reduces gradually from 16 MHz to 10 MHz as V_{VIN} voltage rises. Spread spectrum modulation, SSM, is used to reduce emissions. ZVS operation is maintained to reduce switching power losses.

The UCC14240-Q1 module creates two regulated outputs. It can be configured as a single output converter, VDD to VEE only, or a dual-output converter, VDD to VEE and COM to VEE. Even though the module uses VEE as the reference point to create two positive output voltages, the outputs can use COM as the reference point and become a positive and a negative output.

These two outputs are controlled independently through hysteresis control. Furthermore, the VDD-VEE is the main output, and COM to VEE uses the main output as its input to create a second regulated output voltage.

7.3.1.1 VDD-VEE Voltage Regulation

The VDD-VEE output is the main output of the module. The power stage operation is determined by the sensed VDD-VEE voltage on FBVDD pin. As shown in [图 7-1](#), the VDD-VEE voltage is sensed through a voltage divider R_{FBVDD_TOP} and R_{FBVDD_BOT} . When FBVDD voltage stays below the turn-off threshold, roughly 10 mV above the V_{FBVDD_REF} , the power stage operates, delivers power to the secondary side and makes the VDD-VEE output voltage rise. After the output reaches the turn-off threshold, the power stage turns off. Output voltage drops because of the load current. After the output voltage drops below the turn-on threshold, roughly 10 mV below the V_{FBVDD_REF} , the power stage is turned on again. With the accurate voltage reference and hysteresis control, the VDD-VEE output voltage can be regulated with high accuracy. To improve the noise immunity, a small capacitor of 330 pF should be added between FBVDD and VEE pins. Excessive capacitor slows down the hysteresis loop and can cause excessive output voltage ripple or even stability issue.

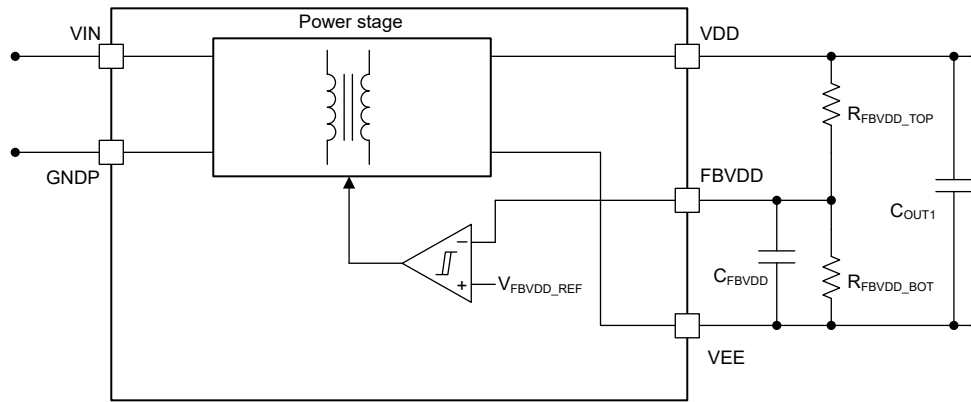


图 7-1. VDD-VEE Voltage Regulation

7.3.1.2 COM-VEE Voltage Regulation

COM-VEE output takes VDD-VEE output as its input and creates a regulated output voltage. It can be considered as an LDO output from VDD-VEE, though the operation principle is not quite the same. Given its input voltage is VDD-VEE, the maximum output voltage from COM to VEE is the voltage between VDD and VEE.

The COM-VEE output regulator stage uses the internal high-side or low-side FETs in series with the external current-limit resistor (R_{LIM}) to charge or discharge the COM-VEE output voltage. The hysteresis control is used to control the switching instance of the two FETs, to achieve an accurately regulated COM-VEE voltage. As shown in [图 7-2](#), the COM-VEE output voltage is sensed through the voltage divider R_{FBVEE_TOP} and R_{FBVEE_BOT} on FBVEE pin. TI recommends a 330-pF capacitor on FBVEE pin to filter out the switching frequency noise. When the voltage on FBVEE is below the charging threshold, 20 mV below the V_{FBVEE_REF} , the charging resistor is kept on and discharging resistor is kept off. COM-VEE output voltage rises. After FBVEE voltage reaches the stop charging threshold, 20 mV above the V_{FBVEE_REF} , the charging resistor is turned off. Output voltage rise stops. When the charging resistor is turned off, the discharge resistor is controlled by another hysteresis controller, based on FBVEE pin voltage, with the same reference voltage V_{FBVEE_REF} , and 20-mV of hysteresis.

The COM-VEE output regulator stage will protect from having the high-side FET stay ON for a long time during a COM to VEE short. This protection feature is implemented by monitoring the R_{LIM} -pin voltage and controlling the high-side FET duty-ratio. When the COM pin voltage is lower than 0.645 V while the FBVEE voltage is below 2.48 V, the hysteretic control of the COM-VEE regulator is overridden by an approximately 20 % duty-ratio control on high-side FET, with a typical on-time of 1.2 μ s and off-time of 5 μ s in each duty cycle. When the COM pin voltage is higher than 0.73 V, the duty ratio control is disabled and the hysteretic control resumes to normal operation.

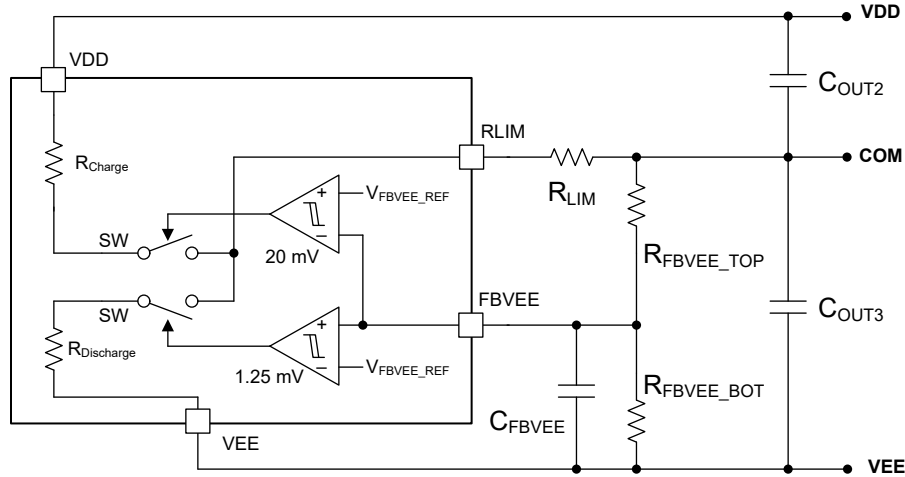


图 7-2. COM-VEE Voltage Regulation

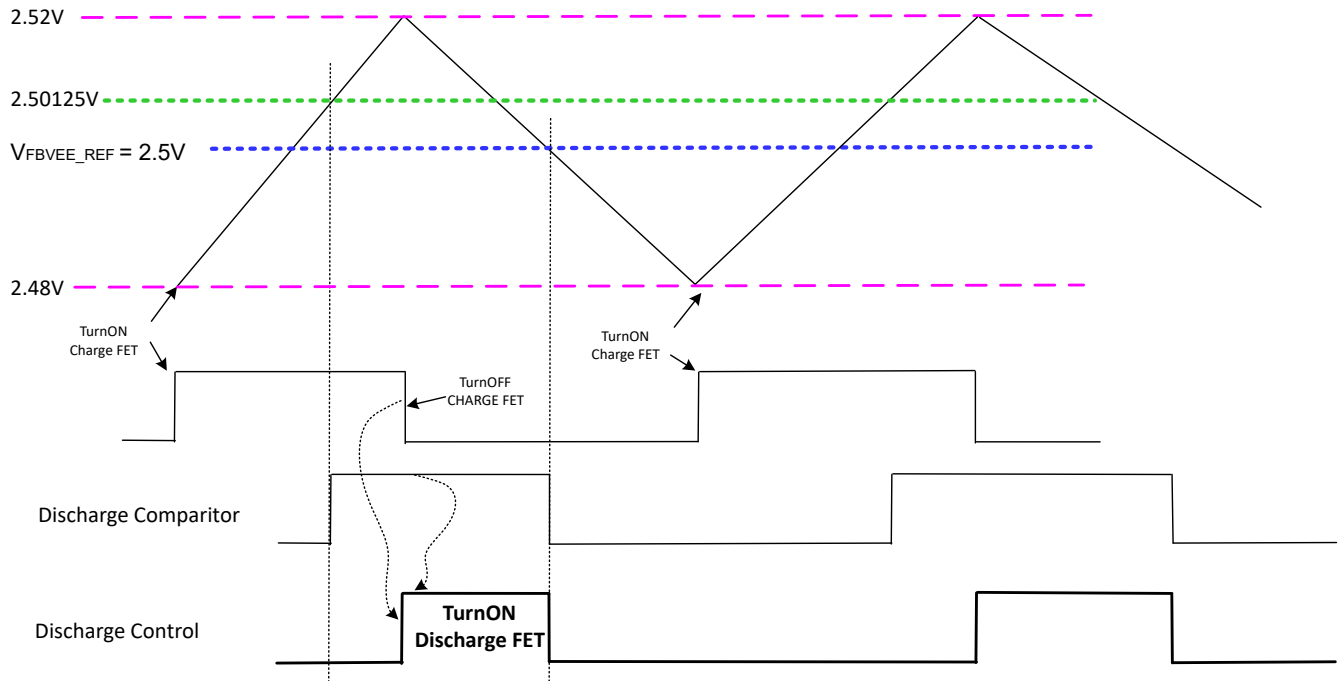


图 7-3. COM-VEE Voltage Regulation Diagram

7.3.1.3 Power Handling Capability

The maximum power handling capability is determined by both circuit operation and thermal condition. For a given output voltage, the maximum power increases with input voltage before triggering the thermal protection. An over-power-protection (OPP) is implemented to limit maximum output power and reduces power stage RMS current at high input voltage. The OPP is implemented by a feed-forward control from the input voltage to the OPP burst duty cycle (D_{OPP}). The D_{OPP} adds a "baby" burst within the on-time of "Mama" burst from the main feedback loop for the (VDD-VEE) regulation. When the input voltage increases, the D_{OPP} reduces automatically to limit the averaged output power.

At high ambient temperature, the thermal performance determines the maximum power and safe operating area (SOA). A protective thermal shut-down is triggered after overtemperature is detected. The high-efficiency and optimized thermal design for transformer and silicon provide a high power handling capability at high ambient temperature in a small package (2W for 85°C and 1.5 W for 105°C).

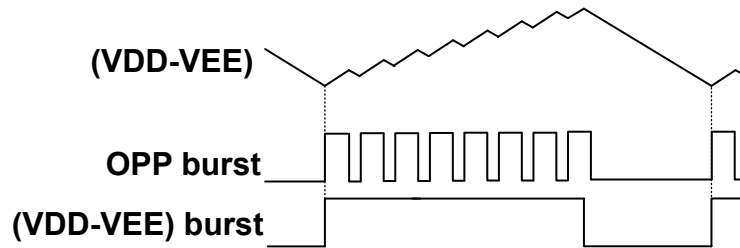


图 7-4. Diagram of Over-Power-Protection with baby burst

7.3.2 Output Voltage Soft Start

UCC14240-Q1 power-up diagram of two output rails with soft start is shown in 图 7-5. After $V_{VIN} > V_{VIN_UVLOP}$ and ENA is pulled high, the soft-start sequence starts with burst duty cycle control with soft duty cycle increment. The burst duty cycle gradually increases from 12.5% to 50% over time by the primary-side control signal (D_{SS_PRI}), so both $V_{VDD-VEE}$ and $V_{COM-VEE}$ increase ratiometrically with a controlled shallow rising slope. When $V_{VDD-VEE}$ is increased above V_{VDD_UVLOS} , there is a sufficient bias voltage for the feedback-loop communication channel, so the burst feedback control on the secondary side takes over. As a result, the D_{SS_PRI} is pulled high and does not affect burst duty cycle anymore. The burst duty cycle is determined by comparing V_{FBVDD} and V_{REF} . V_{REF} increases from 1.1V to 2.5 V with seven increment steps, where each 0.2-V step lasts 128 μ s. After $V_{VDD-VEE} > V_{VDD_UVP}$, /PG is pulled low and the RLIM source-sink regulator for $V_{COM-VEE}$ is enabled. The polarity of source or sink current of RLIM pin is determined by comparing V_{FBVEE} and V_{REF} so as to keep $V_{COM-VEE}$ in tight regulation. The soft-start feature greatly reduces the input inrush current during power-up. In addition, if $V_{VDD-VEE}$ cannot reach to V_{VDD_UVLOS} within 16 ms, then the device shuts down in a safe-state. The 16-ms soft-start time-out protects the module under output short circuit condition before power up.

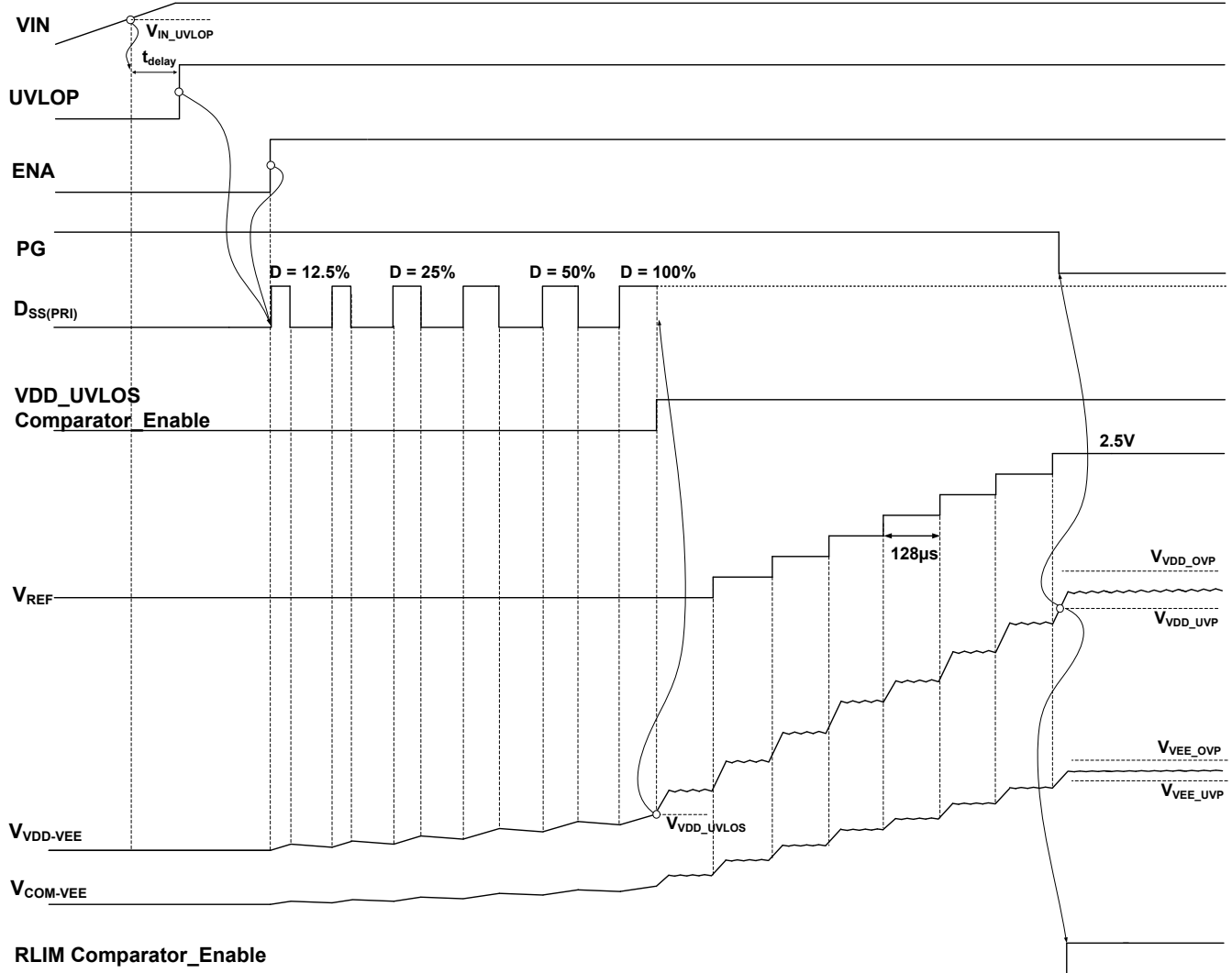


图 7-5. Output voltage Soft-Start Diagram

7.3.3 ENA and $\overline{\text{PG}}$

The ENA input pin and $\overline{\text{PG}}$ output pin on the primary-side use 5-V TTL and 3.3-V LVTTTL level logic thresholds.

The active-high enable input (ENA) pin is used to turn-on the isolated DC/DC converter of the module. Either 3.3-V or 5-V logic rails can be used. Maintain the ENA pin voltage below 5.5 V. After ENA pin voltage becomes above the enable threshold $V_{\text{EN_IR}}$, UCC14240-Q1 enables, starts switching, goes through the soft-start process and delivers power to the secondary side. After ENA pin voltage falls below the disable threshold $V_{\text{EN_IF}}$, UCC14240-Q1 disables, stops switching.

The ENA pin can also be used to reset the UCC14240-Q1 device after it enters the protection safe-state mode. After a detected fault, the protection logic will latch off and place the device into a safe state. When all the faults are cleared, the ENA-pin can be used to clear the UCC14240-Q1 latch by toggling the ENA pin voltage below $V_{\text{EN_IF}}$ for longer than 150 μs , then toggling back up to 3.3 V or 5 V. The device will then exit the latch-off mode and we initiate a soft-start. 图 7-6 illustrates the latch-off reset timing.

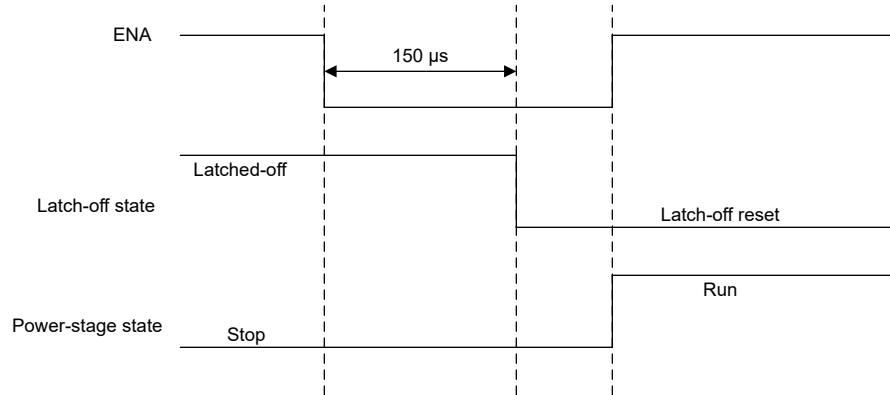


图 7-6. Latch-off Reset Using ENA Pin

The active-low power-good (\overline{PG}) pin is an open-drain output that indicates (short) when the module has no fault and the output voltages are within $\pm 10\%$ of the output voltage regulation setpoints. Connect a pull-up resistor ($> 1\text{ k}\Omega$) from \overline{PG} pin to either a 5-V or 3.3-V logic rail. Maintain the \overline{PG} pin voltage below 5.5 V without exceeding its recommended operating voltage. The logic of \overline{PG} pin can be illustrated using 图 7-7.

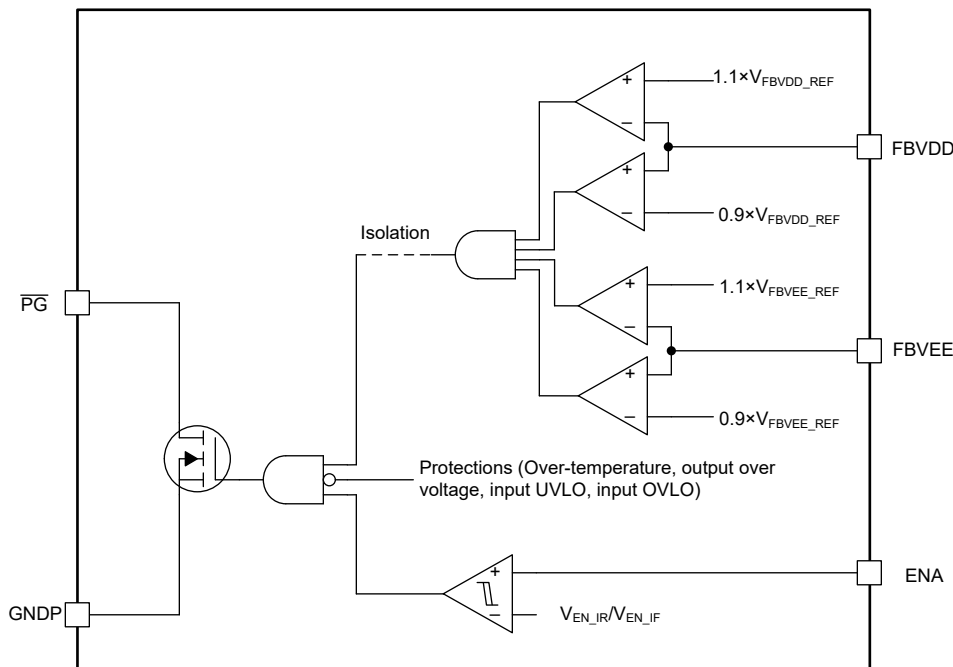


图 7-7. \overline{PG} Pin Logic

7.3.4 Protection Functions

UCC14240-Q1 devices are equipped with a full feature of protection functions, include input undervoltage lockout, overvoltage lockout protections, output undervoltage protection, overvoltage protection, overpower protection, and over-temperature protection. The input undervoltage and overvoltage lockout protections have the auto recovery response. All other protections have the latch-off response. After the latch-off-response protections are triggered, the converter enters a latch off state, stops switching until the latch is reset by either toggling the ENA pin Off then On, or by lowering the V_{VIN} voltage below the $V_{VIN_ANALOG_UVLOP_FALLING}$ threshold, and then above the $V_{VIN_UVLOP_RISING}$ threshold.

7.3.4.1 Input Undervoltage Lockout

UCC14240-Q1 can take wide input voltage range, from 21 V to 27 V. When the input voltage becomes too low, the output either cannot be regulated due to the transformer turns ratio limitation, or the converter operates with too much current stress. Either way, the converter must shut down to protect the system.

The UCC14240-Q1 enters input undervoltage lockout when V_{VIN} voltage becomes lower than the UVLO threshold $V_{VIN_UVLOP_FALLING}$. In UVLO mode, the converter stops switching. After VIN pin voltage becomes lower than the VIN analog undervoltage lockout falling threshold $V_{VIN_VULOP_FALLING}$, UCC14240-Q1 resets all the protections. After that, after the V_{VIN} voltage becomes above the UVLO threshold $V_{VIN_UVLOP_RISING}$, the converter is enabled. Depending on the ENA pin voltage, the converter can start switching, go through the soft-start process, or in the disable mode, waiting for ENA pin voltage becomes high.

7.3.4.2 Input Overvoltage Lockout

The input overvoltage lockout protection is used to protect the UCC14240-Q1 devices from overvoltage damage. It has an auto-recovery response. When the V_{VIN} pin voltage becomes higher than the input overvoltage lockout threshold $V_{VIN_OVLO_RISE}$, switching stops, converter stops sending energy to the secondary side. After input overvoltage lockout protection, after V_{VIN} pin voltage drop below the recovery threshold $V_{VIN_OVLO_FALLING}$, depending on the ENA pin voltage status, the converter can either resuming operation, go through the full soft-start process, or in the disabled mode, wait for ENA pin becomes high. The input overvoltage lockout does not reset other latch-off protections.

7.3.4.3 Output Overvoltage Protection

The UCC14240-Q1 devices sense the output voltage through FBVDD and FBVEE pins to control the output voltage. To prevent the output voltage becomes too high, damages the load or UCC14240-Q1 device itself, the UCC14240-Q1 devices are equipped with the output overvoltage protection. There are two levels of overvoltage protection, based on the feedback pin voltage, and the output voltage.

During the normal operation, because of load transient, or load unbalancing between two outputs, the output voltages can exceed its regulation level. Based on the pin voltages on FBVDD and FBVEE, after the voltage exceeds the threshold, $V_{VDD_OVP_RISE}$, or $V_{VEE_OVP_RISE}$ (10% above the target regulation voltage), the converter stops switching immediately.

In rare cases, the voltage divider becomes malfunction and gives the wrong output voltage information. In turn, the control loop can regulate the output voltages at a wrong voltage level. The UCC14240-Q1 device is also equipped with a fail-safe overvoltage protection. After the VDD-VEE voltage becomes higher than the overvoltage protection threshold $V_{VDD_OVLOS_RISE}$, the converter shuts down immediately. This fail-safe protection level is set at 31 V. It is meant to protect UCC14240-Q1 devices, instead of the load. The design must ensure the voltage feedback divider normal operation at all conditions.

The output overvoltage protections have the latch-off response.

7.3.4.4 Overpower Protection

The Over Power Protection, OPP, limits the maximum average output power. When the output is overloaded, it is important to shutdown the module to prevent it from further damage, or propagating the fault into other portion of the entire system. Given the extremely high switching frequency, it is not practical to implement the traditional cycle-by-cycle current limit. Instead, the UCC14240-Q1 device relies on the Over Power Protection (OPP) working together with the output undervoltage protection.

As discussed in [Power Handling Capability](#), with the input voltage feedforward, and the "baby" burst duty cycle adjustment, the maximum power delivery capability of the UCC14240-Q1 is well controlled. The impact of OPP on the relationship between V_{in} and maximum output power is shown in [图 7-8](#).

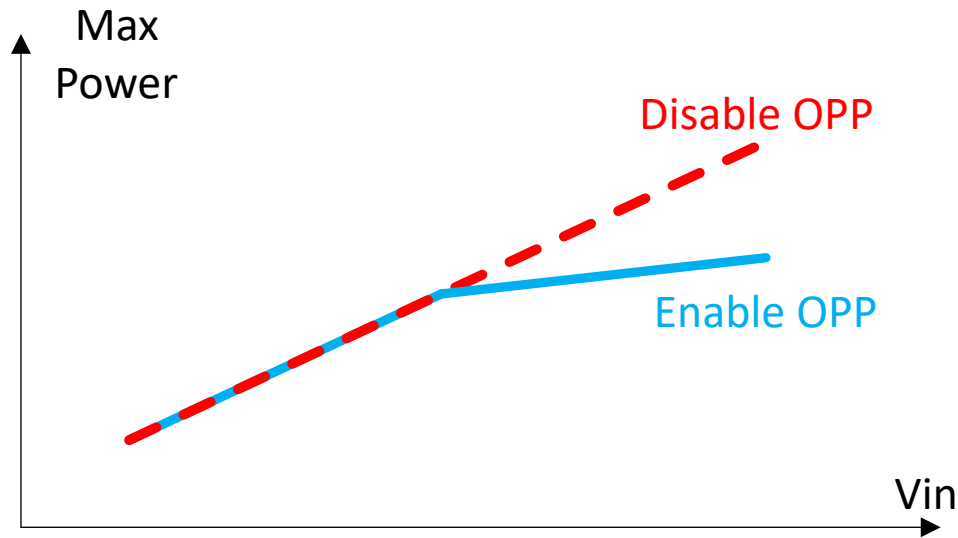


图 7-8. Maximum Output Power Under Different Input Voltage Condition

When the load exceeds the maximum power delivery capability, the output voltage starts to droop. When the output voltage falls below the Under Voltage Protection threshold, the output undervoltage protection is triggered and the parts latches off into a safe state.

7.3.4.4.1 Output Undervoltage Protection

The output voltage under voltage protection is based on the FBVDD and FBVVEE pin voltages. When the FBVDD pin voltage becomes lower than its UVP threshold $V_{VDD_UVP_FALL}$, or the FBVVEE pin voltage becomes lower than its UVP threshold $V_{VEE_UVP_FALL}$, the undervoltage protection is activated. The UCC14240-Q1 stops switching, and the PG pin becomes open.

During soft start, the output voltages rise from zero. Both FBVDD and FBVVEE pin voltage are below the UVP thresholds. The UVP is disabled during the soft start. If the pin voltage cannot reach the UVP recovery thresholds ($V_{VDD_UVP_RISE}$, $V_{VEE_UVP_RISE}$) after the soft start completes, undervoltage protection is activated. The UCC14240-Q1 stops switching, and the PG pin becomes open.

The undervoltage protection has a latched-off response. After it is activated, the latch-off state can be cleared by recycling V_{VIN} . Toggling ENA pin can also reset the latch-off state. Refer to [ENA and PG](#) for details.

7.3.4.5 Overtemperature Protection

UCC14240-Q1 integrates the primary-side, secondary-side power stages, as well as the isolation transformer. The power loss caused by the power conversion causes the module temperature higher than the ambient temperature. To ensure the safe operation of the power module, the UCC14240-Q1 device is equipped with over-temperature protection. Both the primary-side power stage, and the secondary-side power stage temperatures are sensed and compared with the over-temperature protection threshold. If the primary-side power stage temperature becomes higher than $TSHUTP_{PRIMARY_RISE}$, or the secondary-side power stage temperature becomes higher than $TSHUTS_{SECONDARY_RISE}$, the module enters over-temperature protection mode. The module stops switching; \overline{PG} pin becomes open. After protection, the module enters latch-off mode. When the power stage temperature drops below the over-temperature recovery threshold, recycling V_{VIN} , or toggling ENA pin voltage brings the model out of latch-off mode. Depending on ENA pin voltage, the module either starts switching, delivering power to the secondary side, or in the standby mode waiting for ENA pin voltage becomes high.

7.4 Device Functional Modes

Depending on the input and output conditions, ENA pin voltage, as well as the device temperature, the UCC14240-Q1 operates in one of the below operation modes.

1. Disable mode. In this mode, the module is off, but waiting for ENA pin becoming high to start operate.

2. Soft-start mode. In this mode, the module starts to deliver power to the secondary side. The primary-side operation duty cycle and secondary-side references are raised gradually to reduce the stress to the module.
3. Normal operation mode. In this mode, the module operates normally, delivers power to the secondary side.
4. Protection mode, auto-recovery. In this mode, the module is off, due to the input UVLO or OVLO protection. After the input voltage fault is cleared, depending on the ENA pin voltage condition, it either becomes disabled mode if the ENA pin voltage is low, or it goes through soft-start mode to the normal operation mode.
5. Protection mode, latched-off. In this mode, the module is off, due to other protections. The module remains off even the fault causing the protection is cleared. Recycling V_{VIN} operation must ensure the input voltage goes below the analog UVLO falling threshold ($V_{VIN_ANALOG_UVLO_FALLING}$) first to reset the latch-off state, or the ENA pin is toggled Low (OFF) then High (ON).

表 7-1 lists the supply functional modes for this device. The ENA pin has an internal weak pull-down resistance to ground, but TI does not recommend leaving this pin open.

表 7-1. Device Functional Modes

INPUT			OUTPUTS			Operation Mode
V_{VIN}	ENA	FAULT	$V_{(VDD - VEE)}$ Isolated Output1	$V_{(COM - VEE)}$ Isolated Output2	PG Open Drain	
$V_{VIN} < V_{VIN_UVLO_RISING}$	X	X	OFF	OFF	High	Protection mode, auto-recovery
$V_{VIN_UVLO_RISING} < V_{VIN} < V_{VIN_OVLO_RISING}$	LOW	X	OFF	OFF	High	Disable mode
$V_{VIN_UVLO_RISING} < V_{VIN} < V_{VIN_OVLO_RISING}$	HIGH	NO FAULT	Regulating at Setpoint	Regulating at Setpoint	Low	Normal operation
$V_{VIN_UVLO_RISING} < V_{VIN} < V_{VIN_OVLO_RISING}$	HIGH	YES FAULT	OFF	OFF	High	Protection mode, latched-off
$V_{VIN} > V_{VIN_OVLO_RISING}$	X	X	OFF	OFF	High	Protection mode, auto-recovery

8 Application and Implementation

备注

Information in the following applications sections is not part of the TI component specification, and TI does not warrant its accuracy or completeness. TI's customers are responsible for determining suitability of components for their purposes, as well as validating and testing their design implementation to confirm system functionality.

8.1 Application Information

The UCC14240-Q1 device is suitable for applications that have limited board space and desire more integration. This device is also suitable for very high voltage applications, where power transformers meeting the required isolation specifications are bulky and expensive.

8.2 Typical Application

The following figures show the typical application schematics for the UCC14240-Q1 device configurations supplying an isolated load.

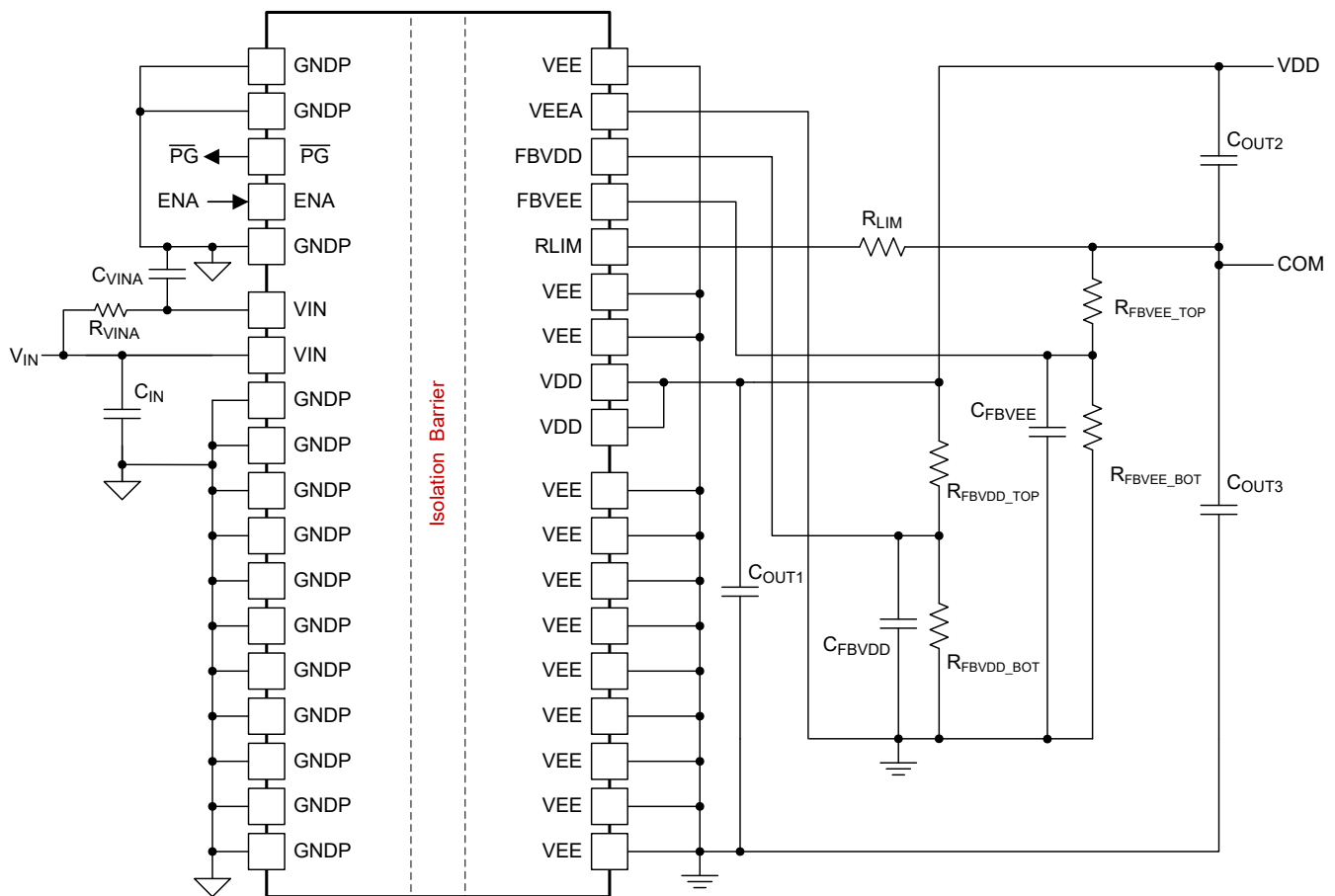


图 8-1. Dual Adjustable Output Configuration

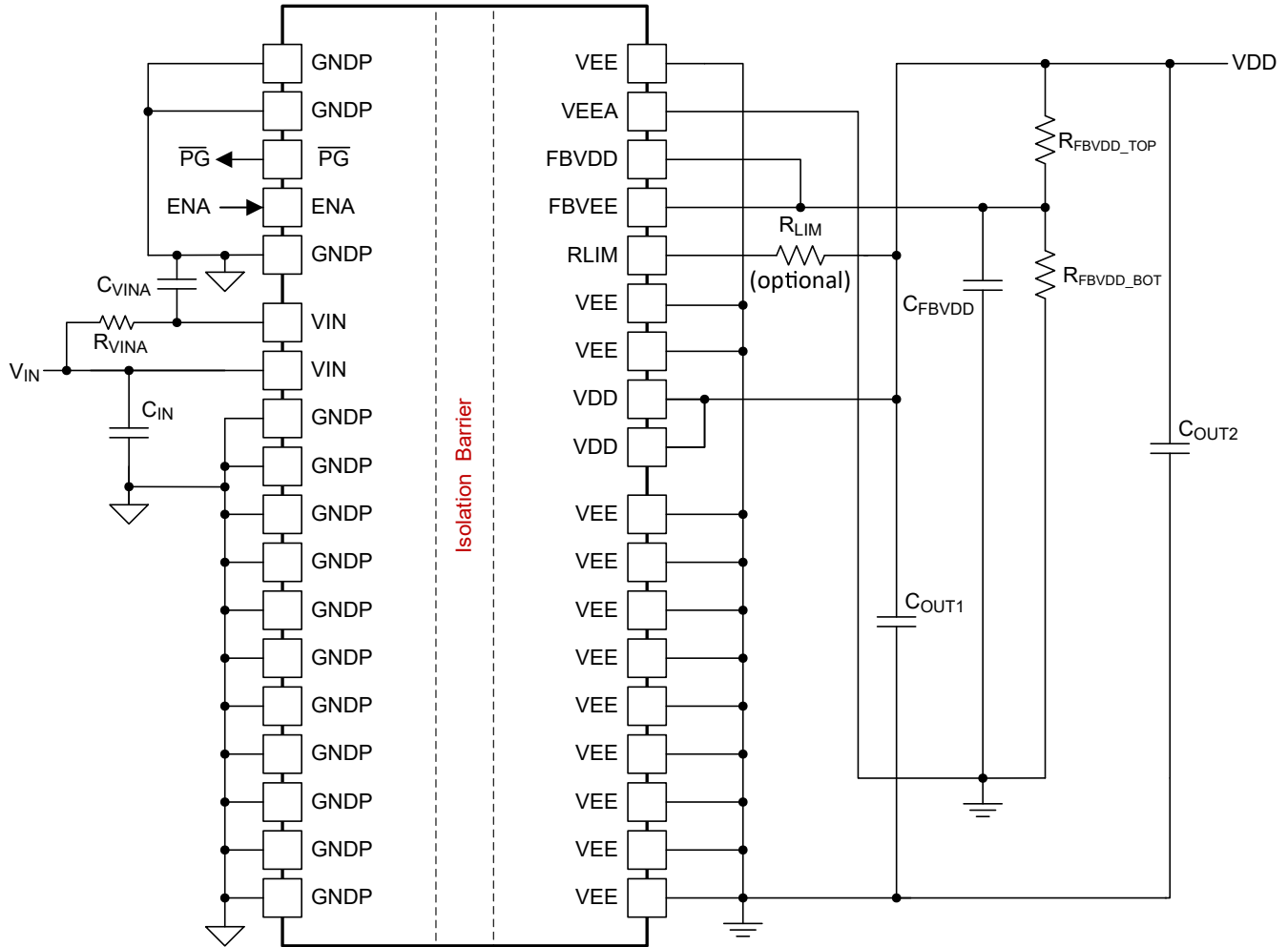


图 8-2. Single Adjustable Output Configuration

8.2.1 Design Requirements

Designing with the UCC14240-Q1 module is simple. First, choose single output or dual output. Determine the voltage for each output and then set the regulation through resistor dividers. The gate charge of the power device determines the amount of output decoupling capacitance needed at the gate driver input. Calculate the RLIM resistor value for regulating the (COM - VEE) voltage rail for a dual output. Finally, add the recommended input and output capacitors according to the procedure below.

8.2.2 Detailed Design Procedure

Place ceramic decoupling capacitors as close as possible to the device pins. For the input supply, place the capacitors between pins 6 to 7 (VIN) and pins 8 to 9 (GNDP). For the isolated output supply, (VDD - VEE), place the capacitors between pins 28 to 29 (VDD) and pins 30 to 31 (VEE). For the isolated output supply, (COM - VEE), place an RLIM resistor between the RLIM pin and the gate driver COM supply input. Also place decoupling capacitors at the gate driver supply pins (COM and VEE) and at gate driver supply pins (VDD and VEE) with values according to the following component calculation sections. These locations are of particular importance to all the decoupling capacitors because the capacitors supply the transient current associated with the fast switching waveforms of the power drive circuits. Ensure the capacitor dielectric material is compatible with the target application temperature.

8.2.2.1 Capacitor Selection

The UCC14240-Q1 device creates an isolated output VDD-VEE as its main output. The device also creates a second output COM-VEE, using VDD-VEE as its power source. Because both outputs are isolated from the

input, and sharing VEE as the common reference point, the UCC14240-Q1 outputs can be configured as dual-output two-positive, dual-output two-negative, or dual-output one-positive and one-negative. UCC14240-Q1 output can also be used as a single positive output or single negative output.

When the module is configured as dual-output, one-positive output, one-negative output; it is very important to properly select the output capacitor ratios C_{OUT2} and C_{OUT3} to optimize the regulation and avoid causing an over-voltage or under-voltage fault.

表 8-1. Calculated Capacitor Values

CAPACITOR	VALUE (μ F)	NOTES
C_{IN}	10 + 0.1	Place a 10- μ F and a 0.1- μ F high-frequency decoupling capacitor in parallel close to VIN pins. A capacitance greater than 10uF can be used to reduce the voltage ripple when the series impedance from the voltage source to the VIN pins is large. Optionally, connect a 330pF 0402 size high-frequency bypass ceramic capacitor close to analog VIN PIN 6 and GNDP PIN 5 when the input voltage ripple is large enough to interfere with the internal input voltage sense signal and the normal startup operation. For extreme input ripple voltage cases, connect a 4.75-ohm filter resistor to power input, PIN7, and connect a 10- μ F ceramic capacitor from analog VIN PIN 6, to power analog GNDP. In most cases, the RC input filter is not needed. If the filter resistor is not placed, make sure both PIN 6 and PIN 7 are connected to input voltage.
C_{OUT1}	2.2 + 0.1	Add a 2.2- μ F and a 0.1- μ F capacitor for high-frequency decoupling of (VDD - VEE). Place close to the VDD and VEE pins. A capacitance greater than 2.2uF can be used to reduce the output voltage ripple.
C_{OUT2}	See below	Bulk charge, decoupling output capacitors are required at the gate driver pins. The C_{OUT2} and C_{OUT3} capacitance ratio is important to optimize the dual output voltage divider accuracy during charge or discharge switching cycles.
C_{OUT3}	See below	

The selection of C_{OUT2} and C_{OUT3} is based on the gate charge requirement for the gate driver load, the charge balancing during the start-up, and the expected maximum current loading.

During the startup, the ratio between C_{OUT2} and C_{OUT3} must be equal to the ratio between (COM-VEE) and (VDD-COM) and offset by the loading current from VDD-COM and COM-VEE, to allow both COM to VEE and VDD to VEE voltages reaches steady state at the same time, as shown in [方程式 1](#).

First calculate the C_{OUT2} value based on the Gate charge of the power device Q_{G_Total} , whether IGBT or SiC power MOSFET, and the percent of voltage droop wanted during the turn-on of the gate with respect to the positive gate voltage applied, VDD to COM.

$$C_{OUT2} = \frac{Q_{G_Total}}{\left(\frac{\text{Percent_Cdroop}}{100}\right) \times (V_{VDD} - COM)} \quad (1)$$

where

- Q_{G_Total} is the total gate charge of the power switch

Then calculate the C_{OUT3} value based on the output voltage ratios, the load current expected, and the variation of the output capacitors.

$$C_{OUT3} = \frac{C_{OUT2} \times (V_{VDD} - COM) \times (I_{MAX_POWER} - I_{(COM - VEE)})}{(V_{COM} - VEE) \times (I_{MAX_POWER} - I_{(VDD - COM)})} \quad (2)$$

where the load $I_{VDD-COM}$ and $I_{COM-VEE}$ are the load currents respectively, and the I_{MAX_POWER} is the SOA Maximum Power (P_{MAX_SOA}) divided by the $V_{VDD-VEE}$ output voltage.

$$I_{(VDD - COM)} = I_{Q_Driver_VDD - COM} + I_{Other_load_VDD - COM} \quad (3)$$

$$I_{(COM - VEE)} = I_{Q_Driver_COM - VEE} + I_{Other_load_COM - VEE} \quad (4)$$

where

- $I_{(VDD-COM)}$ is the total current from VDD to COM, excluding average gate drive current.
- $I_{(COM-VEE)}$ is the total current from COM to VEE, excluding average gate drive current.
- $I_{Q_DRIVER_VDD-COM}$ is the maximum quiescent current of the gate driver from (VDD - COM), and any current pulled from VDD by external logic must be included.
- $I_{Q_DRIVER_COM-VEE}$ is the maximum quiescent current of the gate driver from (COM - VEE),
- $I_{Other_load_VDD-COM}$ is the maximum current pulled from VDD to COM by external logic.
- $I_{Other_load_COM-VEE}$ is the maximum current pulled from COM to VEE by external logic.

and

$$I_{POWER} = \frac{P_{MAX}}{V_{VDD - VEE}} \quad (5)$$

The approximate P_{MAX} value can be extracted from the provided SOA curves at the respective ambient temperature.

Calculate C_{OUT3} using worst case capacitor values based on expected variation, $C_{OUT3_maximum}$, and $C_{OUT3_Minimum}$. This action makes sure the capacitor ratio tends to push the COM-VEE voltage to a slightly lower value than the target regulation value during startup.

备注

C_{OUT2} and C_{OUT3} are the total capacitance on the VDD and VEE outputs. They include the capacitors from both the isolated bias supply and the gate driver circuit.

The sizes of C_{OUT2} and C_{OUT3} are determined by the gate driver load gate charge and ripple voltage requirement. C_{OUT1} can then be used to reduce the total ripple voltage and to soften the start-up time.

8.2.2.2 R_{LIM} Resistor Selection

When the module is configured as dual-positive or dual-negative outputs, the RLIM resistor is a true current limiting resistor. Set up the RLIM resistor value as the maximum load current needed for $V_{COM-VEE}$, using 方程式 6. I_{VOUT2_max} is the maximum load current for $V_{COM-VEE}$ output.

$$R_{LIM} = \frac{V_{COM-VEE}}{I_{(VDD-COM)_max}} - R_{LIM_INT} \quad (6)$$

R_{LIM_INT} is the internal switch resistance value of 30 Ω typical.

For isolated gate driver applications, one positive and one negative outputs are needed. In this case, VDD-VEE is the total output voltage, and the middle point becomes the reference point. Because the total voltage between VDD and VEE is always regulated through the FBVDD feedback, the RLIM pin only must regulate the middle point voltage so that it can give the correct positive and negative voltages. The RLIM control is achieved through FBVEE pin as described in COM-VEE Voltage Regulation.

Based on Capacitor Selection, when selecting the output capacitor ratio proportional to the voltage ratio, the capacitors form a voltage divider. The middle point voltage must naturally give the correct positive and negative voltages. At the same time, for the gate driver circuit, the gate charge pulled out from the positive rail capacitor during turn-on is fed back to the negative rail capacitor during turn-off, the two output rail load must always be balanced. However, due to the gate driver circuit quiescent current unbalancing, and the two-rail capacitance tolerances, the middle point voltage can move away with time. The RLIM pin provides an opposite current to keep the middle point voltage at the correct level.

As illustrated in 图 8-3 (a), without considering the gate charge, the gate driver circuit quiescent current loads the positive rail and negative rail differently. The net current shows up as a DC offset current to the middle point.

As illustrated in 图 8-3 (b), every time the gate driver circuit turns-on the main power switch, it pulls the charge out of the positive and negative rail output capacitors. When the module power stage provides energy to the secondary side, refreshing those capacitors, the same charge is fed into both capacitors. If the capacitor values are perfect, the voltage rise in the capacitors will be proportional. The positive and negative voltages would not change. However, due to the capacitor tolerances, the capacitor values are not perfectly matched. The voltages will rise at different ratios with the smaller capacitor rising faster. Over time, the middle point voltage, COM, would pull to a different value. A load across one of the capacitors will pull towards a voltage imbalance. The RLIM function counteract the voltage imbalance and bring the COM voltage back into regulation.

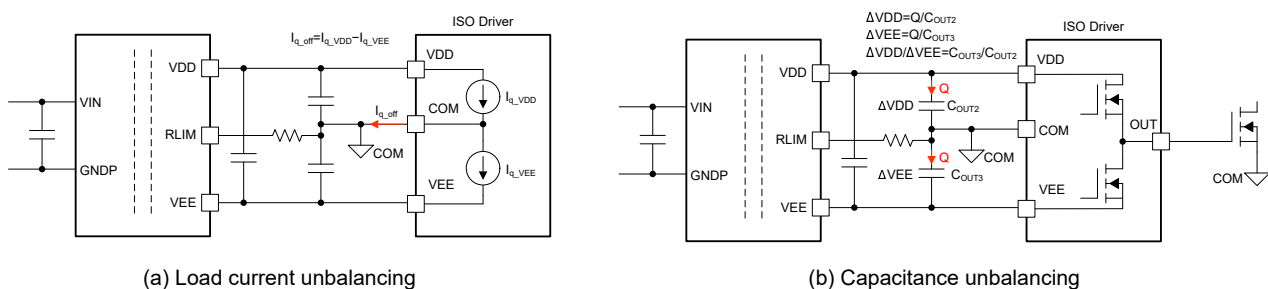


图 8-3. Source of voltage unbalancing

Considering these two effects, the RLIM must provide enough current to compensate this offset current. The RLIM must be low enough to provide enough current, but not too low otherwise the middle point voltage is corrected at each turn on and turn off edge of the gate driver and excessive power loss is generated.

The R_{LIM} resistor chosen can provide enough current for the load using the following equations, whichever has lower R_{LIM} value. 方程式 7 shows source current due to capacitor variation and gate driver quiescent current (I_Q). 方程式 8 shows sink current due to capacitor variation and I_Q .

$$R_{LIM_MAX} = \frac{(VDD - COM)}{\left[\frac{C_{OUT3} \times (1 - \Delta C_{OUT3})}{C_{OUT2} \times (1 - \Delta C_{OUT2}) + C_{OUT3} \times (1 - \Delta C_{OUT3})} - \frac{C_{OUT3}}{C_{OUT2} + C_{OUT3}} \right] \times Q_{G_Total} \times f_{SW} + (I_{(COM - VEE)} - I_{(VDD - COM)})} - R_{LIM_INT} \quad (7)$$

$$R_{LIM_MAX} = \frac{(VEE - COM)}{\left[\frac{C_{OUT2} \times (1 - \Delta C_{OUT2})}{C_{OUT2} \times (1 - \Delta C_{OUT2}) + C_{OUT3} \times (1 - \Delta C_{OUT3})} - \frac{C_{OUT2}}{C_{OUT2} + C_{OUT3}} \right] \times Q_{G_Total} \times f_{SW} + (I_{(COM - VEE)} - I_{(VDD - COM)})} - R_{LIM_INT} \quad (8)$$

Select RLIM value to be the lowest of either 1) the RLIM needed for capacitor imbalance and the load, or 2) the RLIM needed to respond to a 10% overshoot of $V_{COM-VEE}$ within 1.5 ms with the given load current.

$$R_{LIM_MAX_for_overshoot} = \frac{V_{COM - VEE}}{\left(C_{OUT3_max} \times \frac{0.10 \times V_{VDD - COM}}{1.5 \text{ ms}} \right) + (I_{(VDD - COM)} - I_{(COM - VEE)})} - R_{LIM_INT} \quad (9)$$

where

- Q_{G_Total} is the total gate charge of power switch.
- f_{SW} is the switching frequency of gate drive load.

R_{LIM} value determines response time of (COM - VEE) regulation. Too low an R_{LIM} value can cause oscillation and can overload (VDD - VEE). Too high an R_{LIM} value can give offset errors, due to slow response. If R_{LIM} is greater than above calculations, then there is not enough current available to replenish the charge to the output capacitors, causing a charge imbalance where the voltage is not able to maintain regulation, and eventually exceeds the OVP2 or UVP2 FAULT thresholds and shutting down the device for protection. Choose R_{LIM} value to be 10% less than the smaller value of the two calculated results.

8.2.3 Application Curves

The [PMP23223](#) is a reference design that pairs the complementary UCC14240-Q1 isolated DC/DC power module with the UCC21732-Q1 isolated gate driver for a SiC power MOSFET or IGBT power module. The following waveforms show the controlled soft start for both positive and negative rails. Also shown, is the fast and highly accurate voltage regulation during gate driver switching from 1 kHz to 35 kHz. See [PMP23223](#) reference design test report for more details.

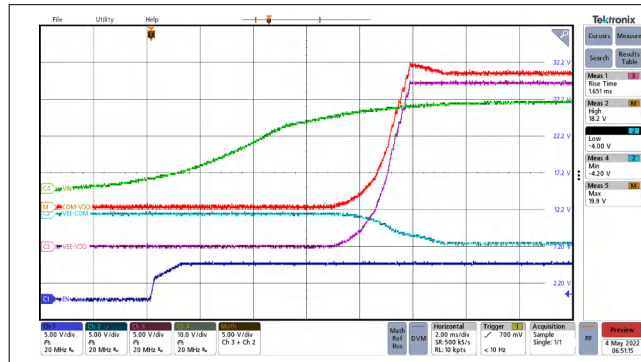


图 8-4. Power-Up Sequence.

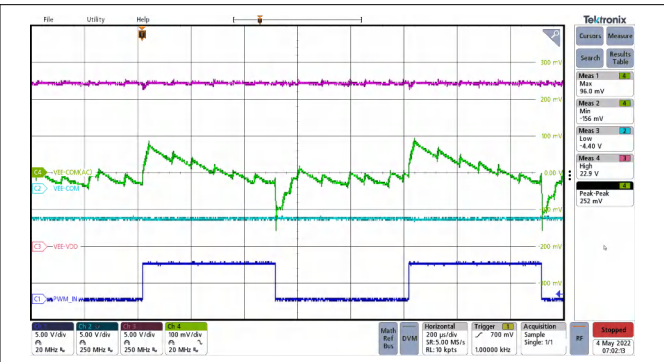


图 8-5. Ripple voltage: VEE-COM Switching 100-nF Load at 1 kHz.

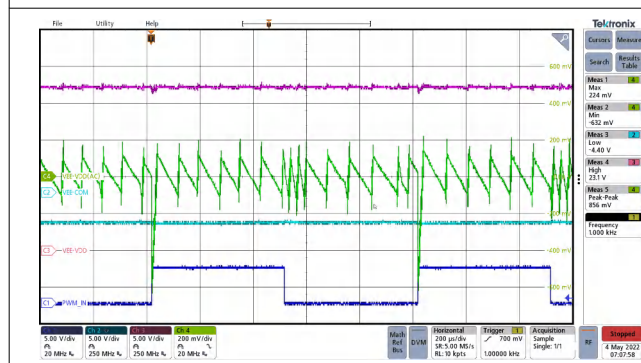


图 8-6. Ripple voltage: VDD-VEE Switching 100-nF Load at 1 kHz.

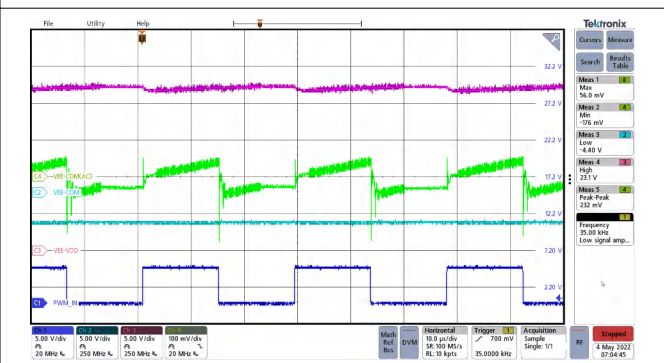


图 8-7. Ripple voltage: VEE-COM Switching 100-nF Load at 35 kHz.

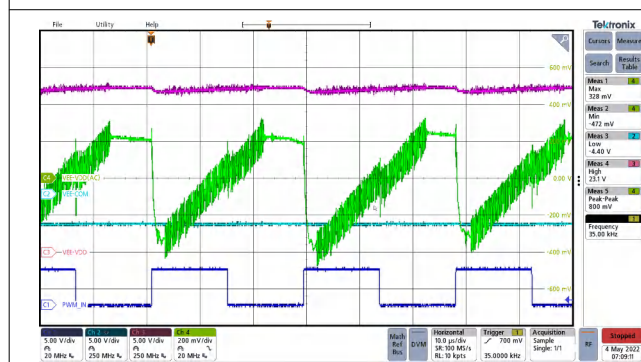


图 8-8. Ripple voltage: VDD-VEE Switching 100-nF Load at 35 kHz.

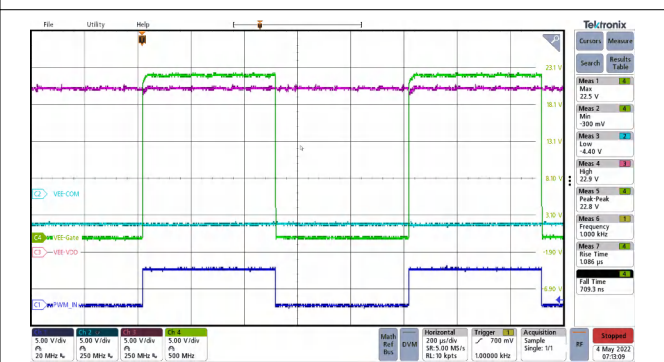
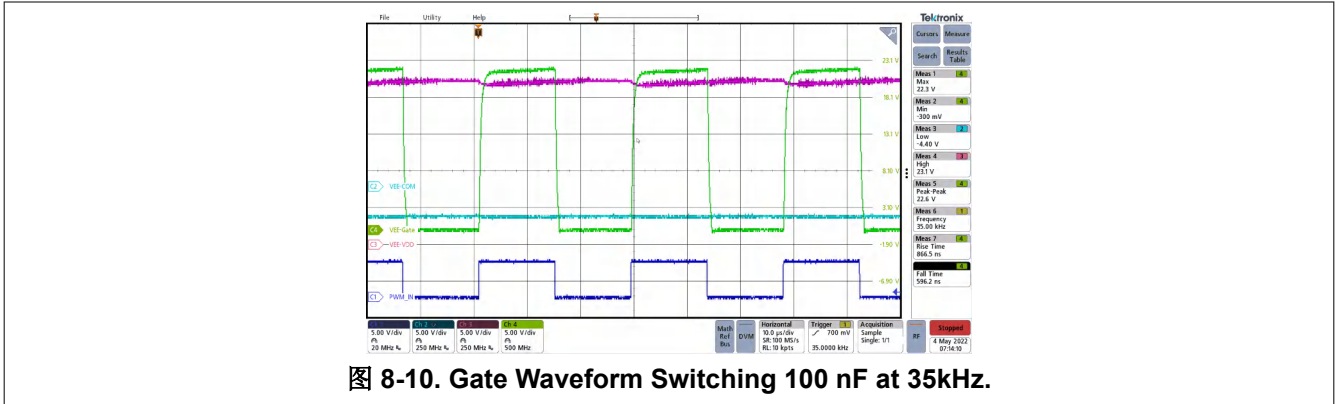
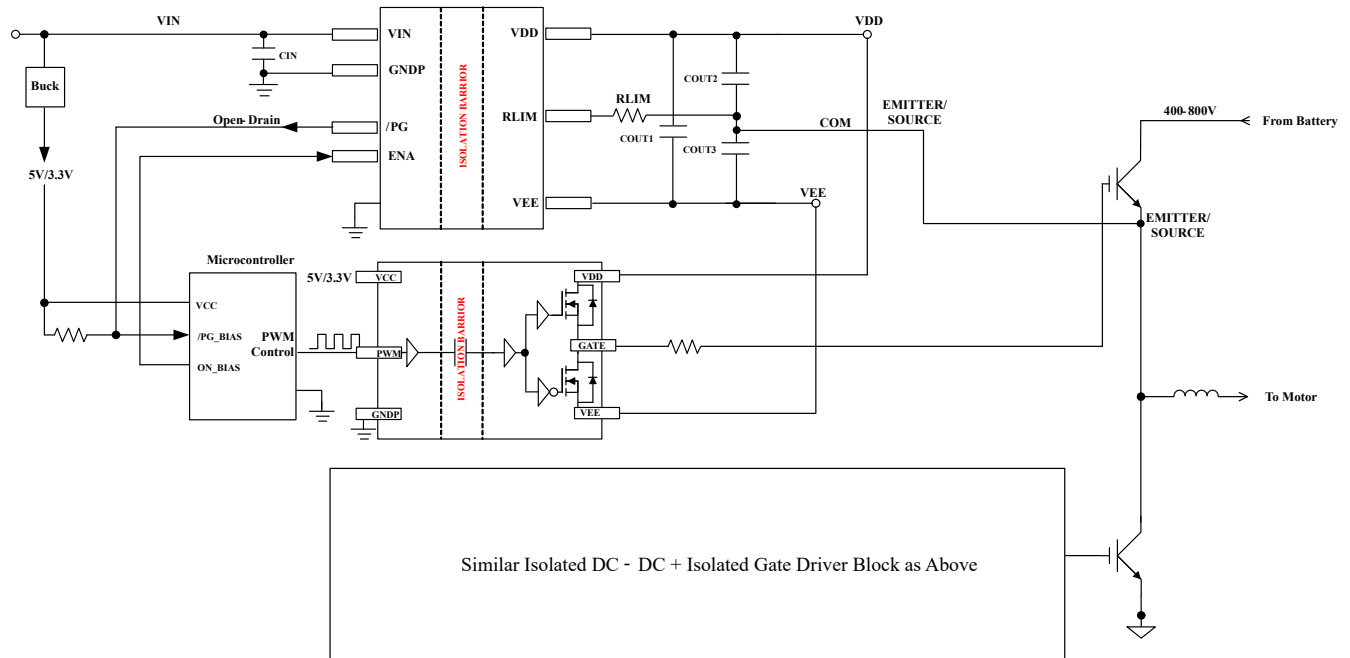


图 8-9. Gate Waveform Switching 100 nF at 1 kHz.



8.3 System Examples

The UCC14240-Q1 module is designed to allow a microcontroller host to enable it with the ENA pin for proper system sequencing. The \overline{PG} output also allows the host to monitor the status of the module. The /PG pin goes low when there are no faults and the output voltage is within $\pm 10\%$ of the set target output voltage. The output voltage is meant to power a gate driver for either IGBT or SiC FET power device. The host can start sending PWM control to the gate driver after the \overline{PG} pin goes low to ensure proper sequencing. Shown below is the system diagram for the dual-output configuration and a system diagram for the single output configuration.



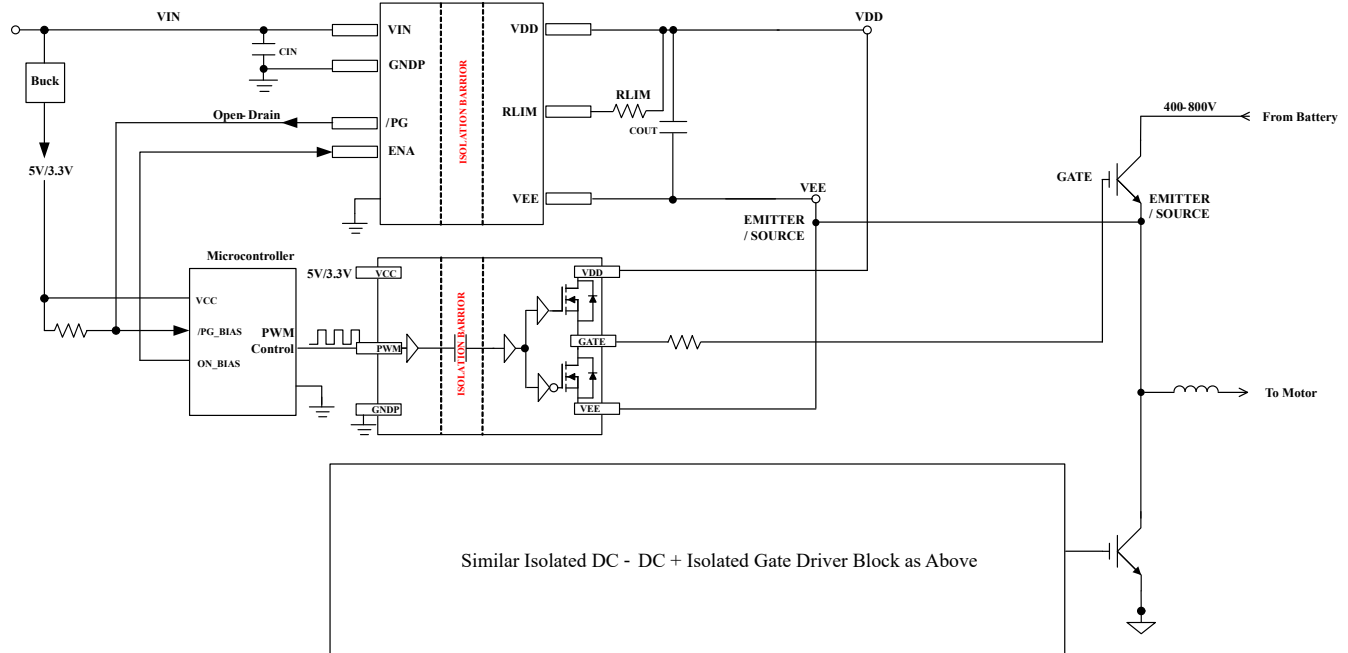


图 8-12. Single Output System Configuration

8.4 Power Supply Recommendations

The recommended input supply voltage (V_{VIN}) for UCC14240-Q1 is between 21 V and 27 V. To help ensure reliable operation, adequate decoupling capacitors must be located as close to supply pins as possible. Local bypass capacitors must be placed between the VIN and GNDP pins at the input; between VDD and VEE at the isolated output supply; and COM and VEE at the lower voltage output supply. TI recommends low ESR, ceramic surface mount capacitors. TI further suggests placing two such capacitors: one with a value of 2.2 μ F for supply bypassing and an additional 0.1- μ F capacitor in parallel for high frequency filtering. The input supply must have an appropriate current rating to support output load required by the end application.

8.5 Layout

8.5.1 Layout Guidelines

The UCC14240-Q1 integrated isolated power solution simplifies system design and reduces board area usage. Follow these guidelines for proper PCB layout to achieve optimum performance.

- Place decoupling capacitors as close as possible to the device pins. For the input supply, place the capacitors between pin 7 (power VIN) and pins 8 - 18 (power GNDP), and place the capacitors between pin 6 (analog VIN) and pins 1, 2, and 5 (analog GNDP). For the isolated output supply, place the capacitors between pin 28, 29 (VDD) and pins 19 - 25, 30 - 31, 35 - 36 (VEE). This location is of particular importance to the input decoupling capacitor because this capacitor supplies the transient current associated with the fast switching waveforms of the power drive circuits.

The capacitors between pin 6 (analog VIN) and pins 1, 2, and 5 (analog GNDP) are optional and recommended.

- Because the device does not have a thermal pad for heat-sinking, the device dissipates heat through the respective GND pins. Ensure that enough copper (preferably a connection to the ground plane) is present on GNDP and VEE pins for best heat-sinking.
- If space and layer count allow, TI recommends to connect the VIN, GNDP, VDD, and VEE pins to internal ground or power planes through multiple vias. Alternatively, make the traces that are connected to these pins as wide as possible to minimize losses.

- Minimize capacitive coupling between the RLIM pin and the FBVEE pin by separating the traces while routing, and if possible use a via near the FBVEE pin to route the feedback connection through a different layer.
- A minimum of four layers is recommended to accomplish a good thermal PCB design. Inner layers can be used to create a high-frequency bypass capacitor between GNDP and VEE, which in turn mitigates radiated emissions.
- Pay close attention to the spacing between primary ground plane (GNDP) and secondary ground plane (VEE) on the outer layers of the PCB. The effective creepage and clearance of the system is reduced if the two ground planes have a lower spacing than that of the UCC1413x-Q1 package.
- To ensure isolation performance between the primary and secondary side, avoid placing any PCB traces or copper below the UCC14240-Q1 module.

8.5.2 Layout Example

The layout example shown in the following figures is from the evaluation board UCC14240-Q1EVM, UCC14240EVM-052, and based on the [图 8-1](#) design.

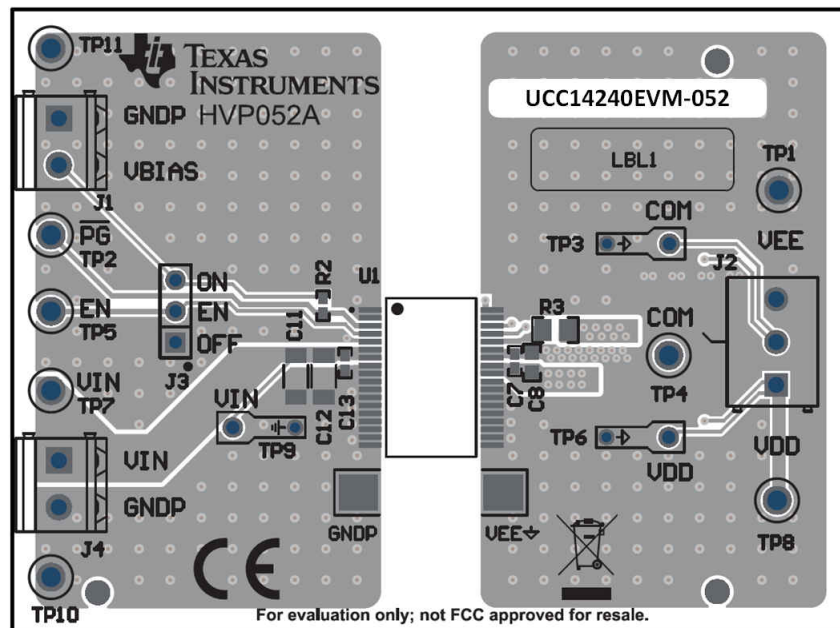


图 8-13. UCC14240-Q1EVM, PCB Top Layer, Assembly

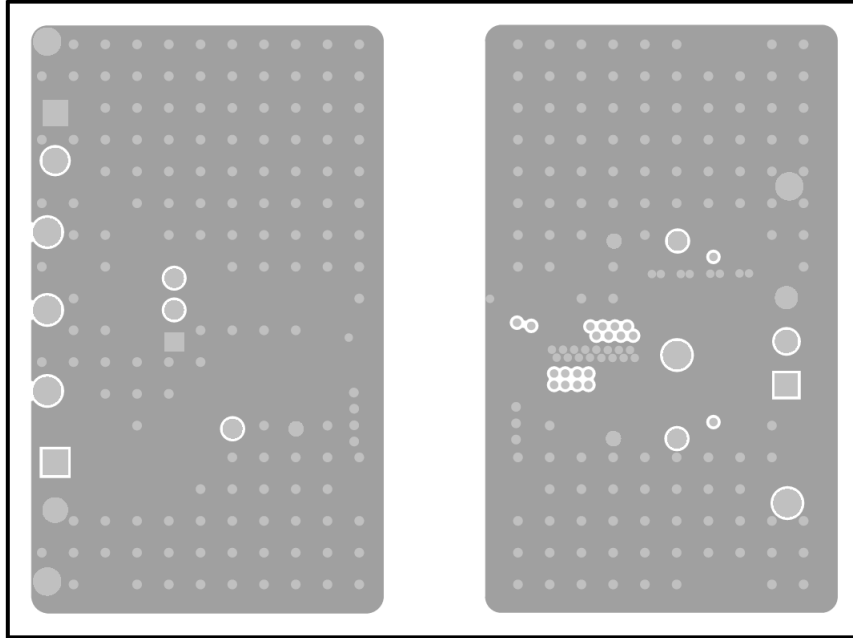


图 8-14. UCC14240-Q1EVM, Signal Layer 2 (Same as Layer 3)

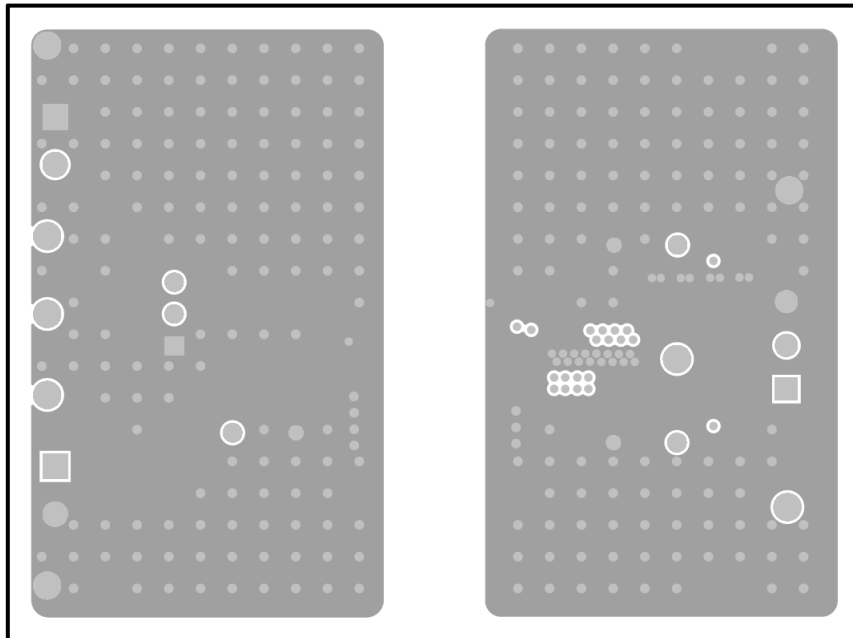


图 8-15. UCC14240-Q1EVM, Signal Layer 3 (Same as Layer 2)

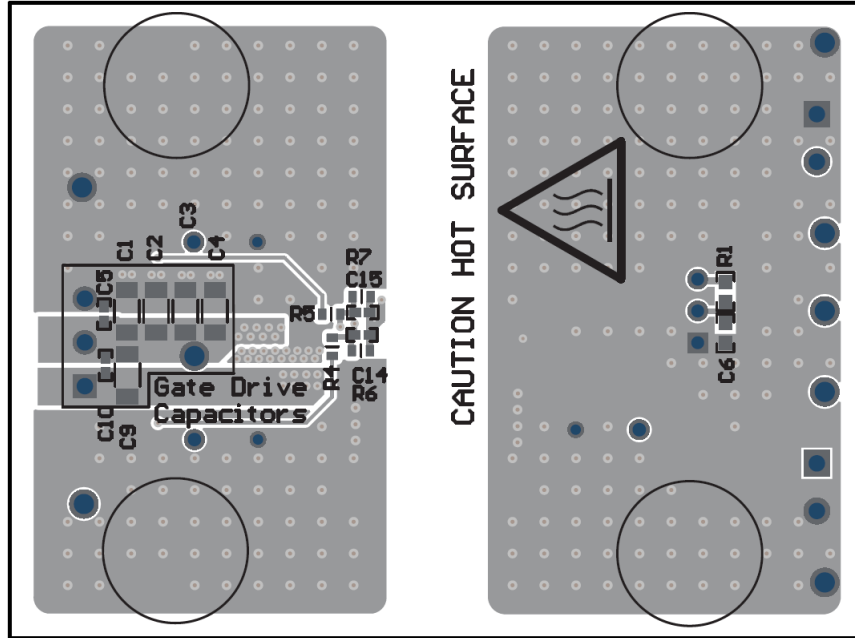


图 8-16. UCC14240-Q1EVM, PCB Bottom Layer, Assembly (Mirrored View)

9 Device and Documentation Support

9.1 Documentation Support

9.1.1 Related Documentation

For related documentation, see the following:

- Texas Instruments, [Using the UCC14240EVM-052 for Biasing Traction Inverter Gate Driver ICs Requiring Single, Positive or Dual, Positive/Negative Bias Power user's guide](#)
- Texas Instruments, [Isolation Glossary](#)

9.2 接收文档更新通知

要接收文档更新通知，请导航至 [ti.com](https://www.ti.com) 上的器件产品文件夹。点击 [订阅更新](#) 进行注册，即可每周接收产品信息更改摘要。有关更改的详细信息，请查看任何已修订文档中包含的修订历史记录。

9.3 支持资源

TI E2E™ 支持论坛是工程师的重要参考资料，可直接从专家获得快速、经过验证的解答和设计帮助。搜索现有解答或提出自己的问题可获得所需的快速设计帮助。

链接的内容由各个贡献者“按原样”提供。这些内容并不构成 TI 技术规范，并且不一定反映 TI 的观点；请参阅 TI 的《使用条款》。

9.4 Trademarks

TI E2E™ is a trademark of Texas Instruments.

所有商标均为其各自所有者的财产。

9.5 Electrostatic Discharge Caution



This integrated circuit can be damaged by ESD. Texas Instruments recommends that all integrated circuits be handled with appropriate precautions. Failure to observe proper handling and installation procedures can cause damage.

ESD damage can range from subtle performance degradation to complete device failure. Precision integrated circuits may be more susceptible to damage because very small parametric changes could cause the device not to meet its published specifications.

9.6 术语表

[TI 术语表](#) 本术语表列出并解释了术语、首字母缩略词和定义。

10 Mechanical, Packaging, and Orderable Information

The following pages include mechanical, packaging, and orderable information. This information is the most current data available for the designated devices. This data is subject to change without notice and revision of this document. For browser-based versions of this data sheet, refer to the left-hand navigation.

PACKAGING INFORMATION

Orderable Device	Status (1)	Package Type	Package Drawing	Pins	Package Qty	Eco Plan (2)	Lead finish/ Ball material (6)	MSL Peak Temp (3)	Op Temp (°C)	Device Marking (4/5)	Samples
UCC14240QDWNRQ1	ACTIVE	SO-MOD	DWN	36	750	RoHS & Green	NIPDAU	Level-3-260C-168 HR	-40 to 125	UCC14240-Q1	Samples

(1) The marketing status values are defined as follows:

ACTIVE: Product device recommended for new designs.

LIFEBUY: TI has announced that the device will be discontinued, and a lifetime-buy period is in effect.

NRND: Not recommended for new designs. Device is in production to support existing customers, but TI does not recommend using this part in a new design.

PREVIEW: Device has been announced but is not in production. Samples may or may not be available.

OBSOLETE: TI has discontinued the production of the device.

(2) **RoHS:** TI defines "RoHS" to mean semiconductor products that are compliant with the current EU RoHS requirements for all 10 RoHS substances, including the requirement that RoHS substance do not exceed 0.1% by weight in homogeneous materials. Where designed to be soldered at high temperatures, "RoHS" products are suitable for use in specified lead-free processes. TI may reference these types of products as "Pb-Free".

RoHS Exempt: TI defines "RoHS Exempt" to mean products that contain lead but are compliant with EU RoHS pursuant to a specific EU RoHS exemption.

Green: TI defines "Green" to mean the content of Chlorine (Cl) and Bromine (Br) based flame retardants meet JS709B low halogen requirements of <=1000ppm threshold. Antimony trioxide based flame retardants must also meet the <=1000ppm threshold requirement.

(3) MSL, Peak Temp. - The Moisture Sensitivity Level rating according to the JEDEC industry standard classifications, and peak solder temperature.

(4) There may be additional marking, which relates to the logo, the lot trace code information, or the environmental category on the device.

(5) Multiple Device Markings will be inside parentheses. Only one Device Marking contained in parentheses and separated by a "~" will appear on a device. If a line is indented then it is a continuation of the previous line and the two combined represent the entire Device Marking for that device.

(6) Lead finish/Ball material - Orderable Devices may have multiple material finish options. Finish options are separated by a vertical ruled line. Lead finish/Ball material values may wrap to two lines if the finish value exceeds the maximum column width.

Important Information and Disclaimer: The information provided on this page represents TI's knowledge and belief as of the date that it is provided. TI bases its knowledge and belief on information provided by third parties, and makes no representation or warranty as to the accuracy of such information. Efforts are underway to better integrate information from third parties. TI has taken and continues to take reasonable steps to provide representative and accurate information but may not have conducted destructive testing or chemical analysis on incoming materials and chemicals. TI and TI suppliers consider certain information to be proprietary, and thus CAS numbers and other limited information may not be available for release.

In no event shall TI's liability arising out of such information exceed the total purchase price of the TI part(s) at issue in this document sold by TI to Customer on an annual basis.

TAPE AND REEL INFORMATION

QUADRANT ASSIGNMENTS FOR PIN 1 ORIENTATION IN TAPE


*All dimensions are nominal

Device	Package Type	Package Drawing	Pins	SPQ	Reel Diameter (mm)	Reel Width W1 (mm)	A0 (mm)	B0 (mm)	K0 (mm)	P1 (mm)	W (mm)	Pin1 Quadrant
UCC14240QDWNQRQ1	SO-MOD	DWN	36	750	330.0	24.4	10.85	13.4	4.0	16.0	24.0	Q1

TAPE AND REEL BOX DIMENSIONS


*All dimensions are nominal

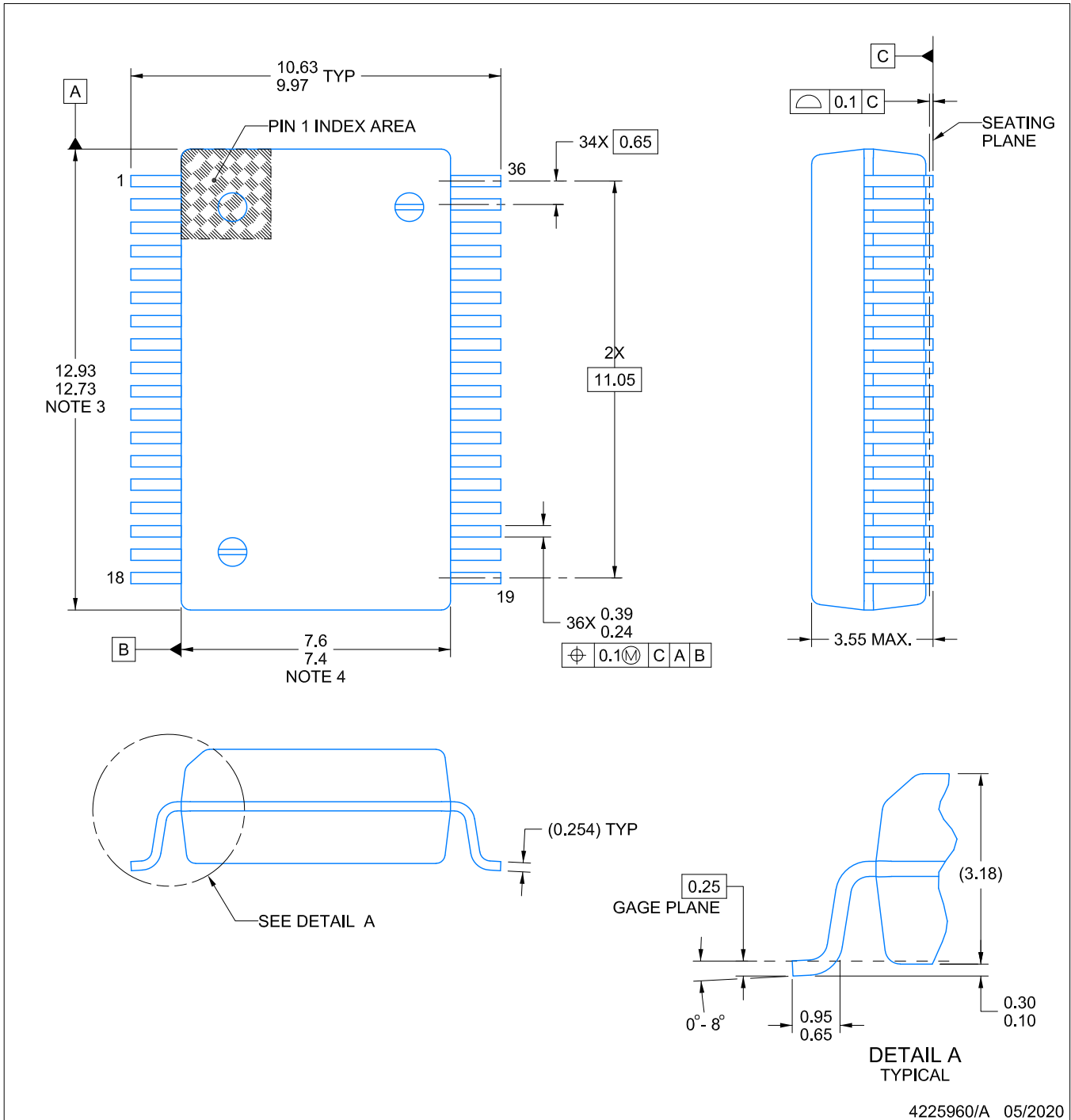
Device	Package Type	Package Drawing	Pins	SPQ	Length (mm)	Width (mm)	Height (mm)
UCC14240QDWRQ1	SO-MOD	DWN	36	750	350.0	350.0	43.0

PACKAGE OUTLINE

DWN0036A

SSOP - 3.55 mm max height

SMALL OUTLINE PACKAGE



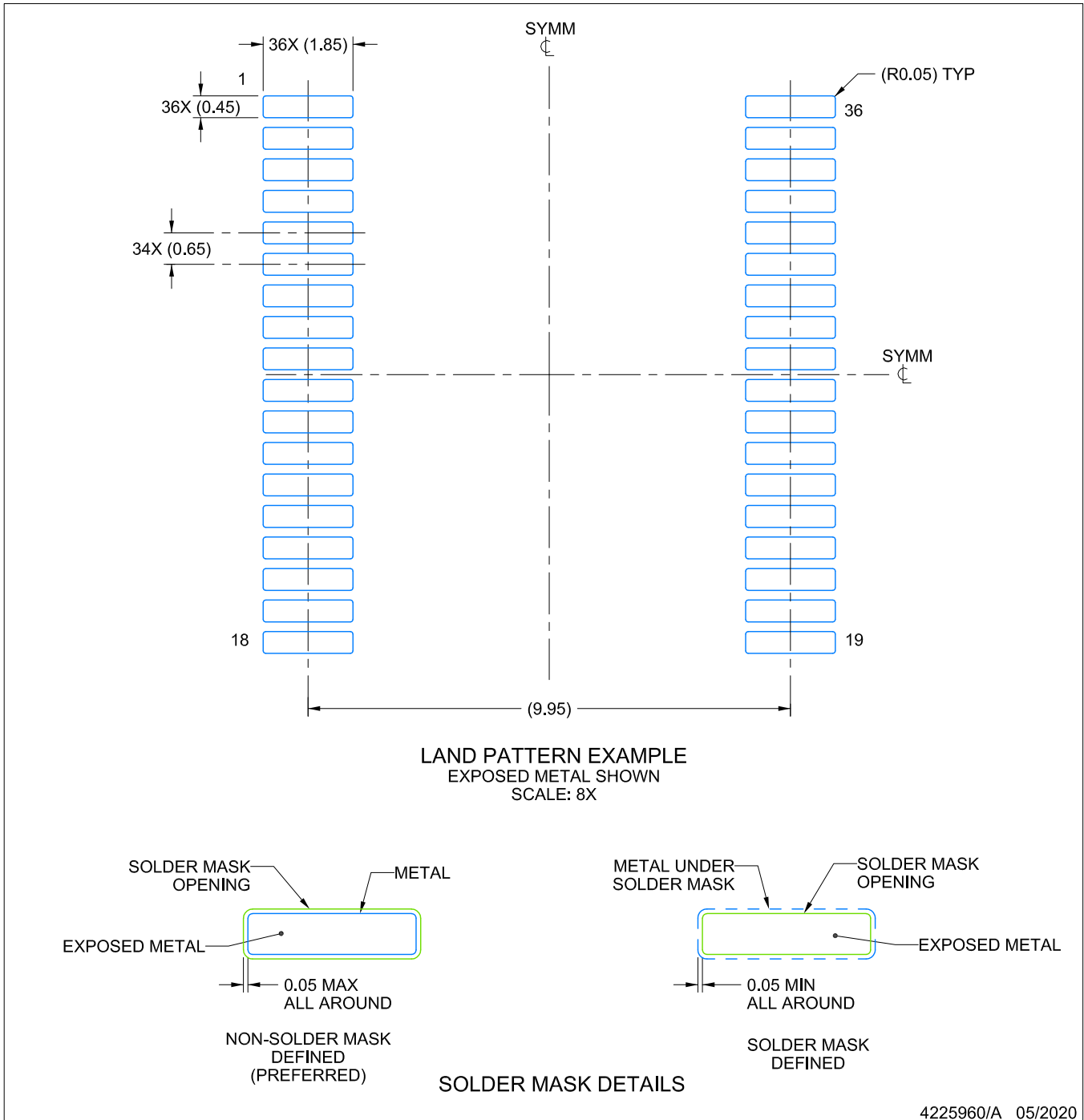
4225960/A 05/2020

EXAMPLE BOARD LAYOUT

DWN0036A

SSOP - 3.55 mm max height

SMALL OUTLINE PACKAGE



NOTES: (continued)

5. Publication IPC-7351 may have alternate designs.

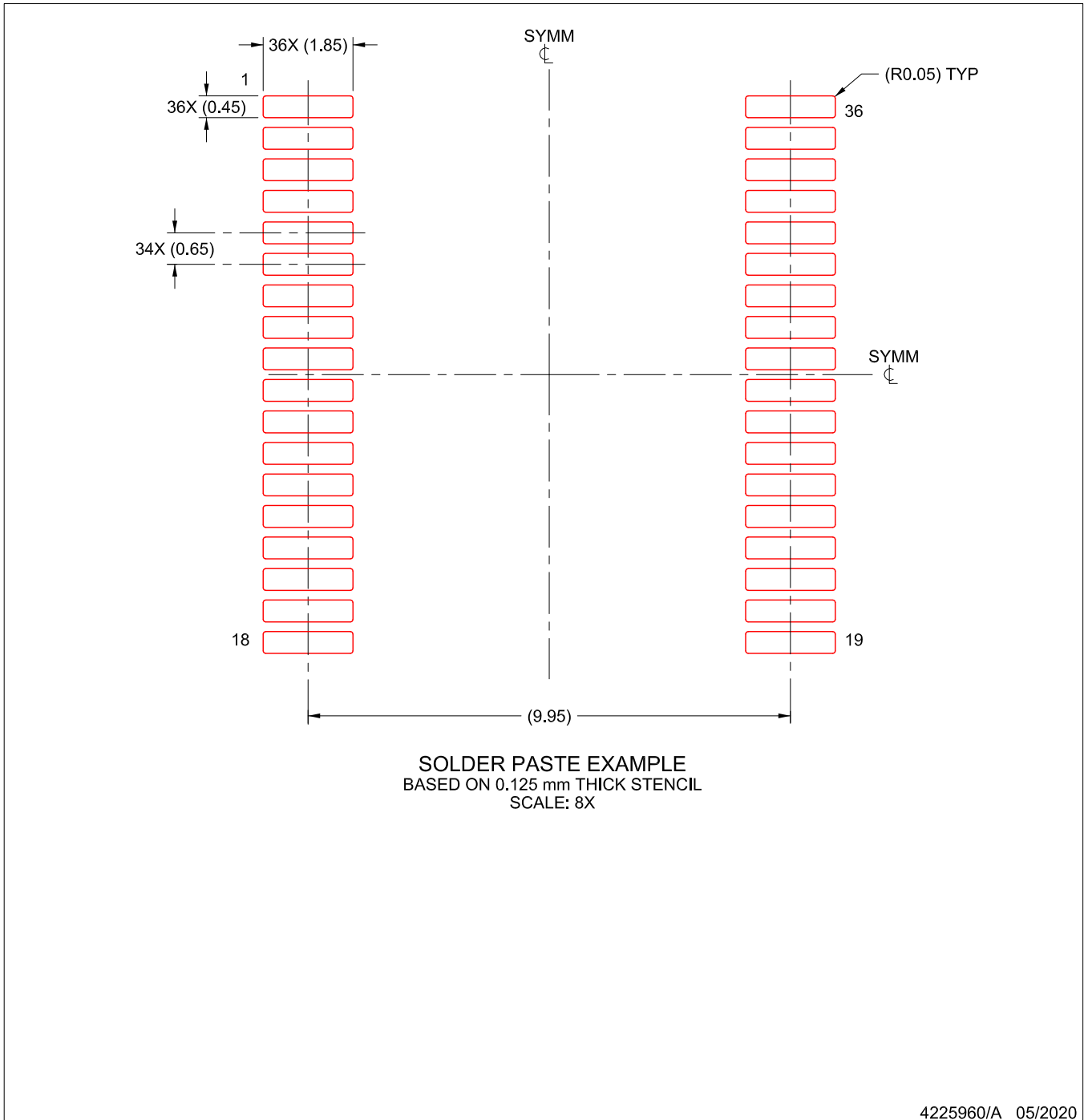
6. Solder mask tolerances between and around signal pads can vary based on board fabrication site.

EXAMPLE STENCIL DESIGN

DWN0036A

SSOP - 3.55 mm max height

SMALL OUTLINE PACKAGE



NOTES: (continued)

7. Laser cutting apertures with trapezoidal walls and rounded corners may offer better paste release. IPC-7525 may have alternate design recommendations.
8. Board assembly site may have different recommendations for stencil design.

重要声明和免责声明

TI“按原样”提供技术和可靠性数据（包括数据表）、设计资源（包括参考设计）、应用或其他设计建议、网络工具、安全信息和其他资源，不保证没有瑕疵且不做任何明示或暗示的担保，包括但不限于对适销性、某特定用途方面的适用性或不侵犯任何第三方知识产权的暗示担保。

这些资源可供使用 TI 产品进行设计的熟练开发人员使用。您将自行承担以下全部责任：(1) 针对您的应用选择合适的 TI 产品，(2) 设计、验证并测试您的应用，(3) 确保您的应用满足相应标准以及任何其他功能安全、信息安全、监管或其他要求。

这些资源如有变更，恕不另行通知。TI 授权您仅可将这些资源用于研发本资源所述的 TI 产品的应用。严禁对这些资源进行其他复制或展示。您无权使用任何其他 TI 知识产权或任何第三方知识产权。您应全额赔偿因在这些资源的使用中对 TI 及其代表造成的任何索赔、损害、成本、损失和债务，TI 对此概不负责。

TI 提供的产品受 [TI 的销售条款](#) 或 [ti.com](#) 上其他适用条款/TI 产品随附的其他适用条款的约束。TI 提供这些资源并不会扩展或以其他方式更改 TI 针对 TI 产品发布的适用的担保或担保免责声明。

TI 反对并拒绝您可能提出的任何其他或不同的条款。

邮寄地址：Texas Instruments, Post Office Box 655303, Dallas, Texas 75265

Copyright © 2023，德州仪器 (TI) 公司