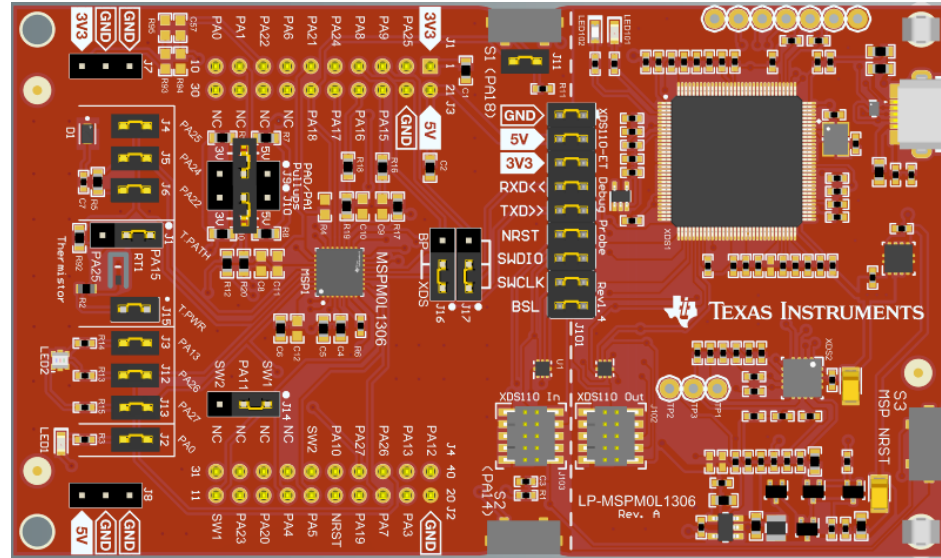


MSPM0 LaunchPad™

— MSPM0 ecosystem training series

Presented by Yinan Zhou

Start with MSPM0 LaunchPad™



The MSPM0 LaunchPad™ development kit is an easy-to-use evaluation module (EVM) based on the MSPM0 MCU. It contains everything needed to start developing on the MSPM0 M0+ MCU platform.

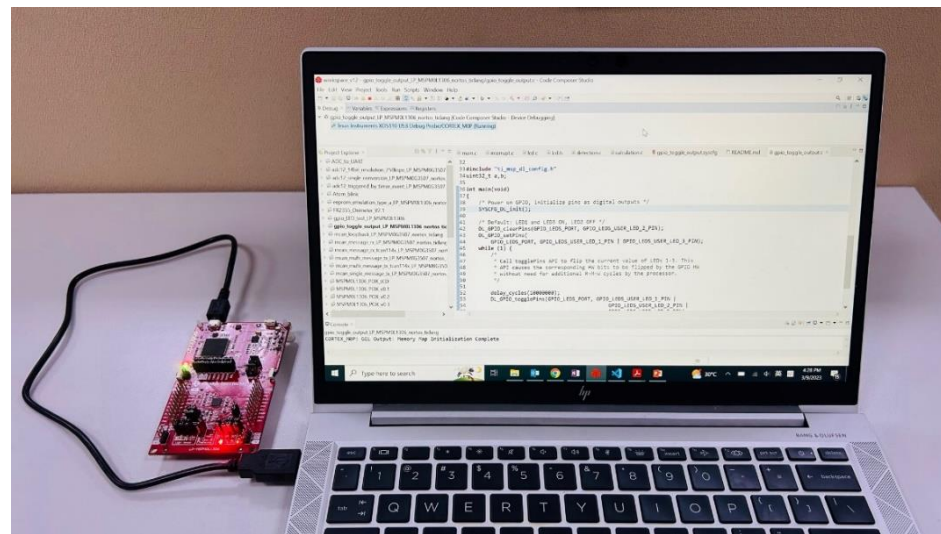
Get started

Step 1: Get your LaunchPad of [MSPM0L](#) or [MSPM0G](#)

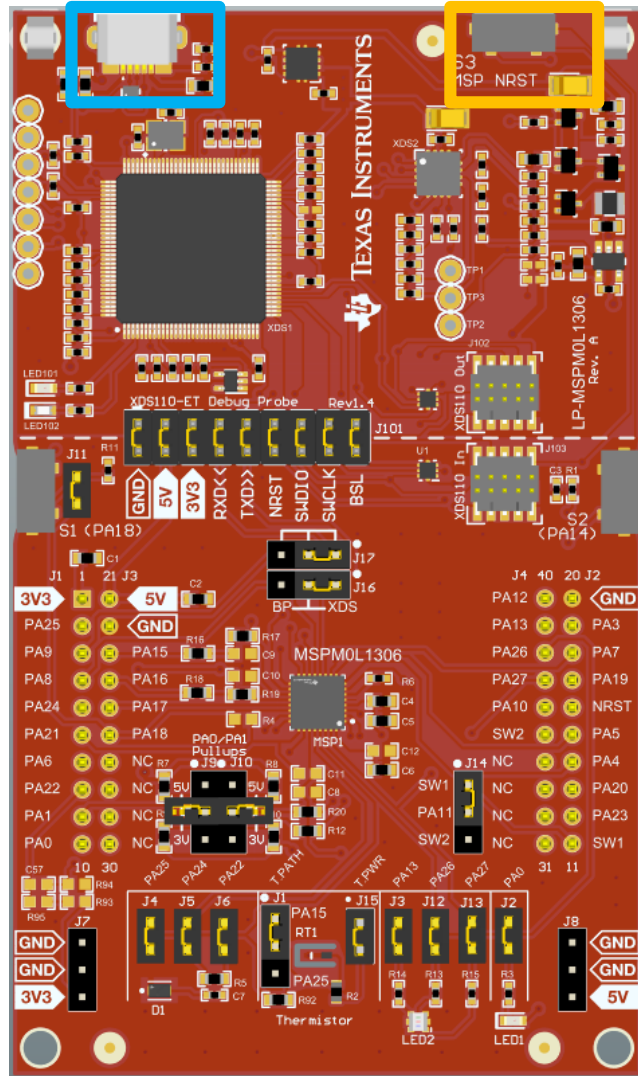
Step 2: Set up your integrated development environment (IDE) of [CCS](#), [IAR](#) or [Keil](#).

Step 3: Download the [MSPM0 SDK](#)

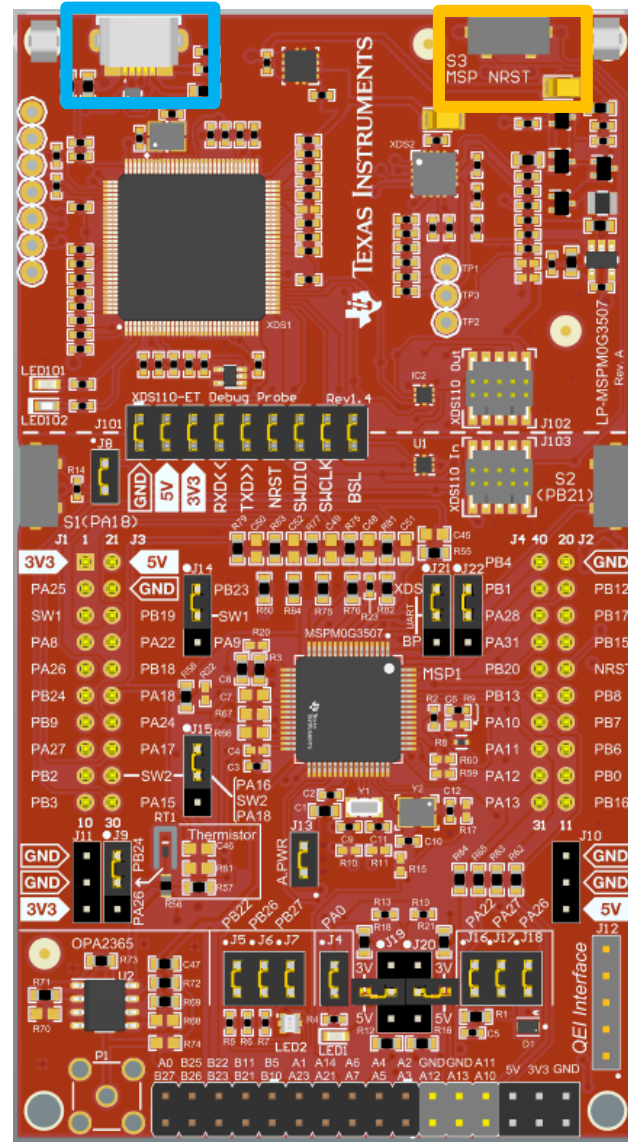
Step 4: Get started with the [MSPM0 academy](#)



MSPM0 LaunchPad™ Introduction



MSPM0L Launchpad

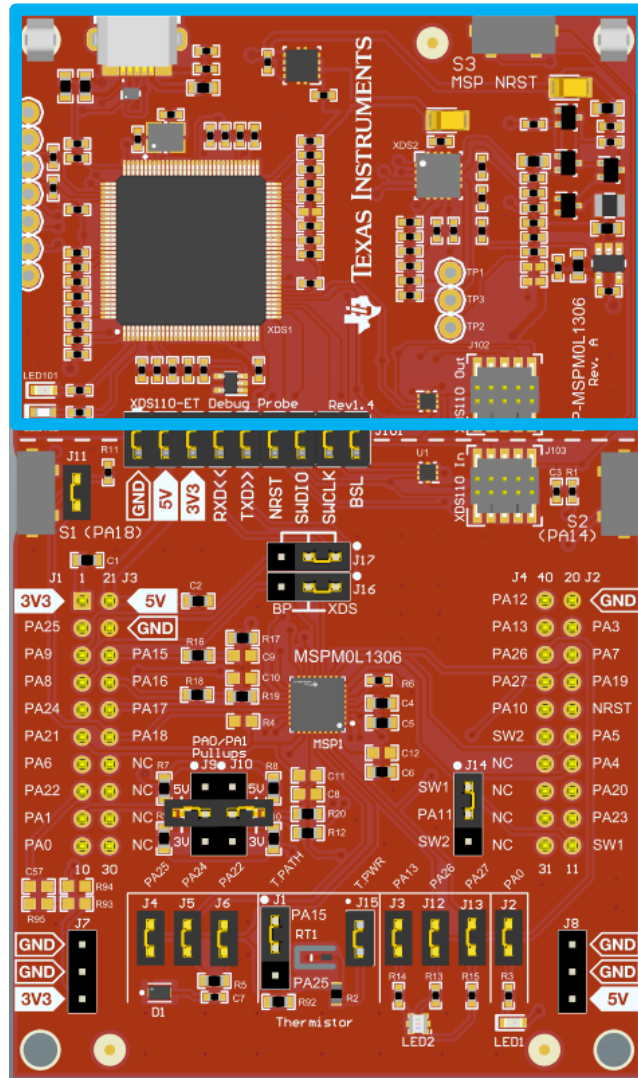


MSPM0G Launchpad

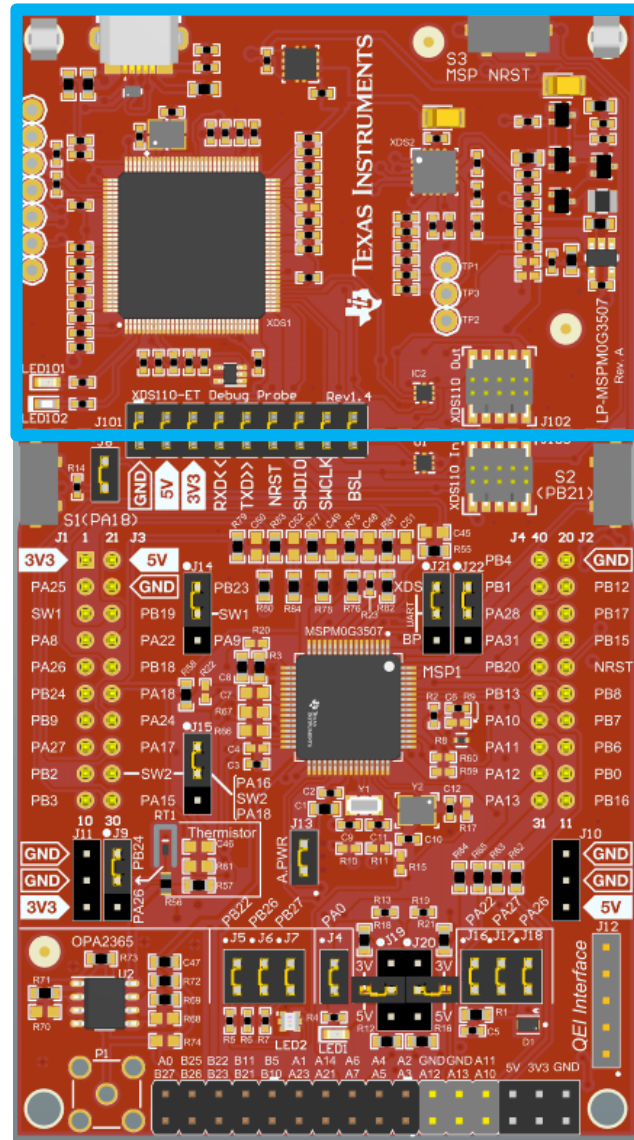
Micro USB

Reset Button

MSPM0 LaunchPad™ Introduction



MSPM0L Launchpad



MSPM0G Launchpad

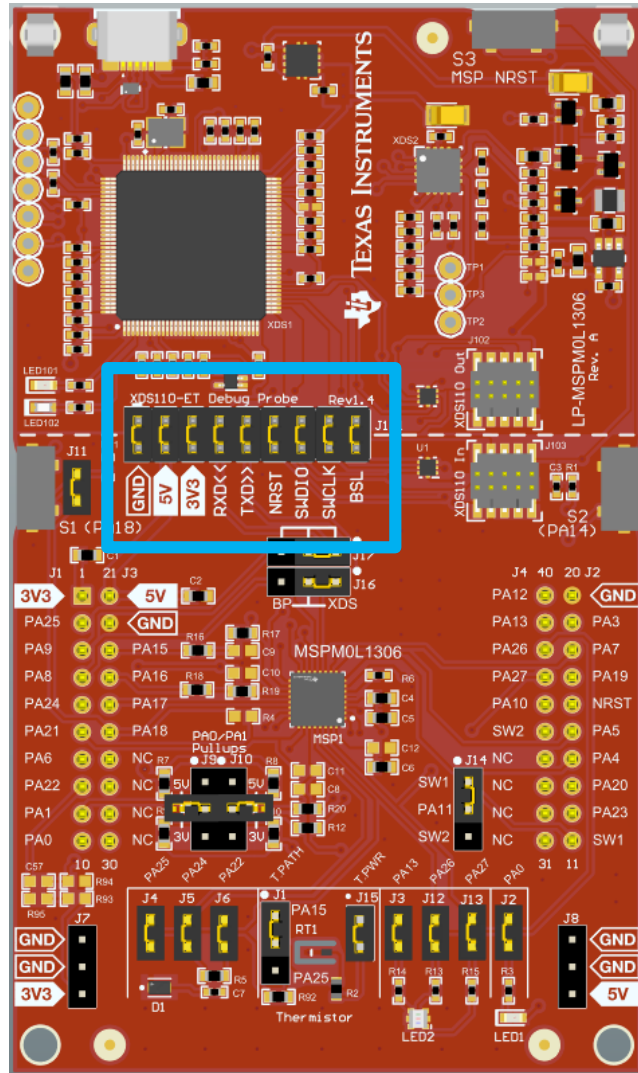
XDS110 Debugger

Enables debugging/programming as well as communication back to the PC.

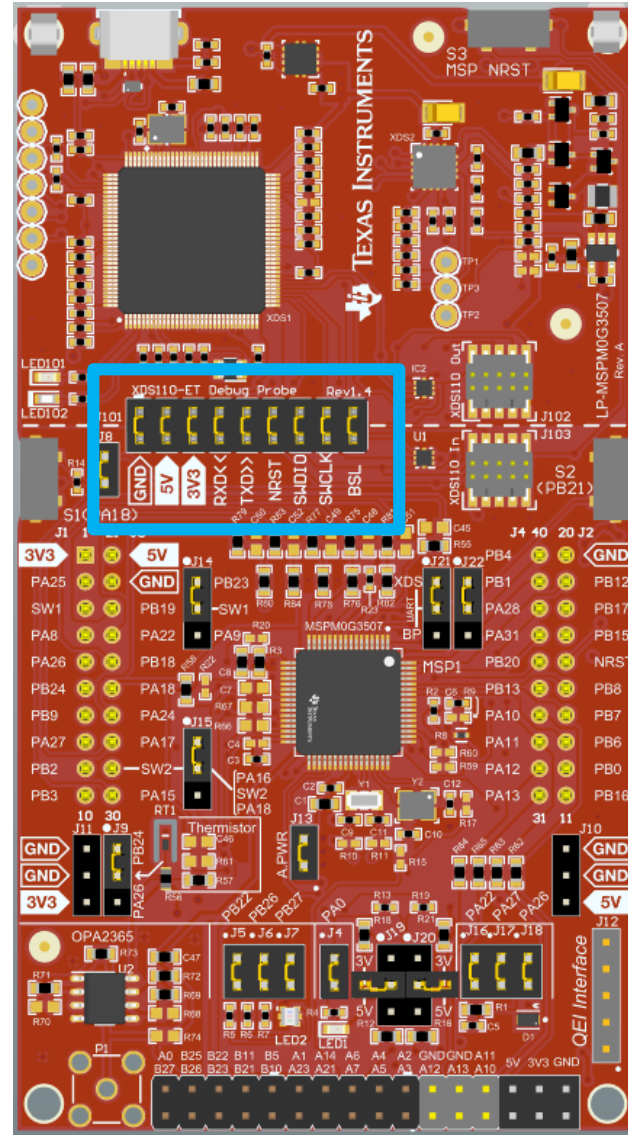
EnergyTrace™ Technology

Real-time power consumption reading & state updates of the MSPM0 MCU, viewable through the [EnergyTrace GUI](#).

MSPM0 LaunchPad™ Introduction



MSPM0L Launchpad



MSPM0G Launchpad

Jumper Isolation Block

Power

- GND
- 5V
- 3.3V

UART

- RXD
- TXD

Reset pin

- NRST

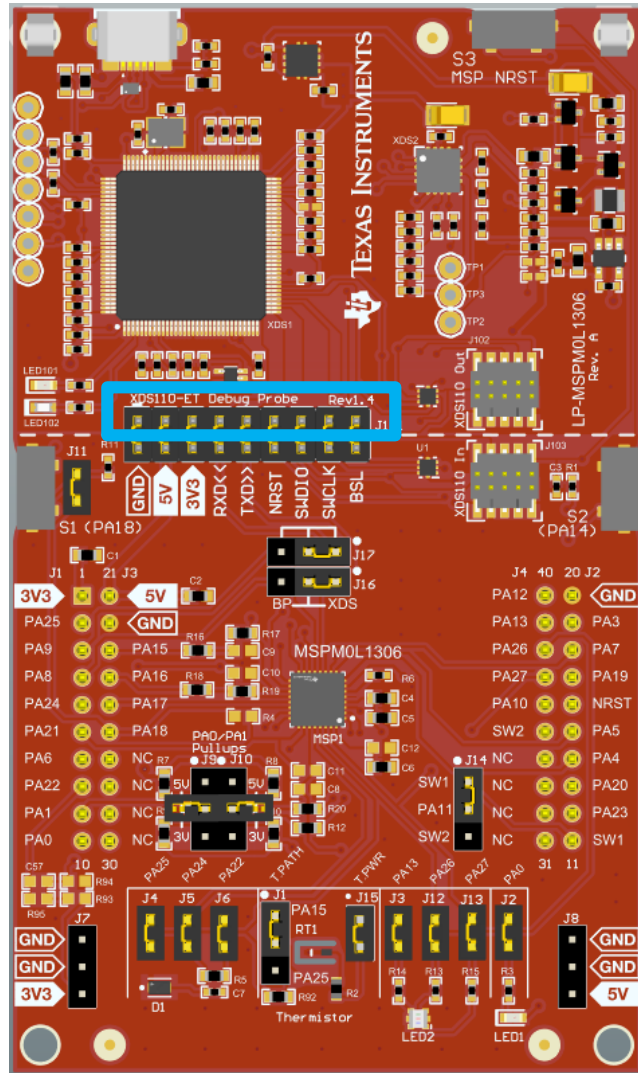
Arm debug channel

- SWDIO
- SWCLK

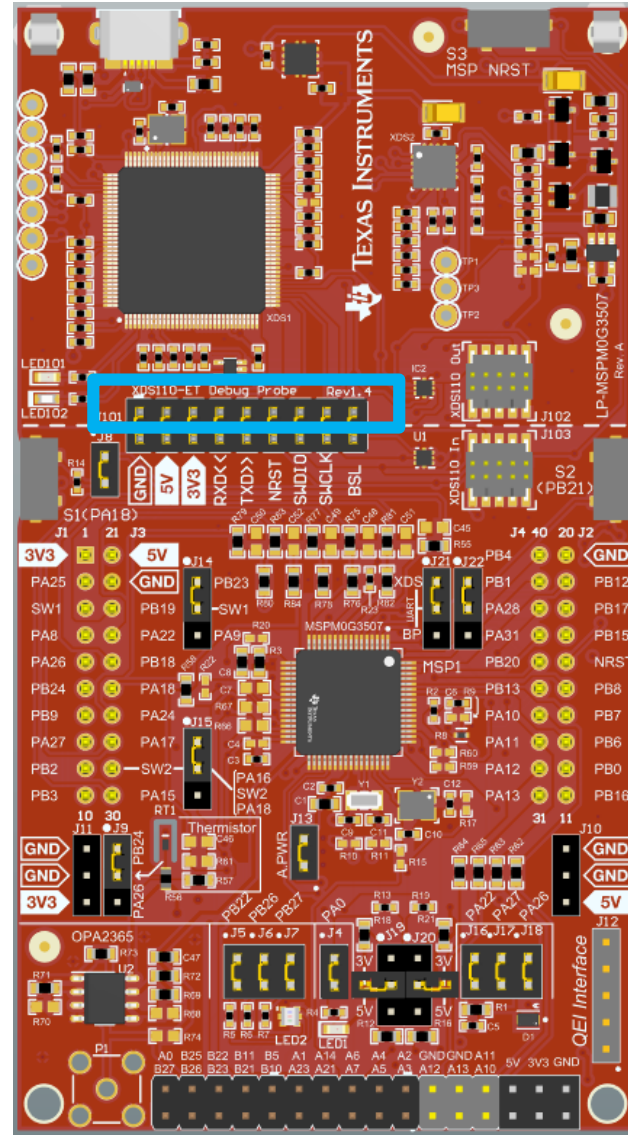
Bootstrap Loader (BSL) invoke pin

- BSL

MSPM0 LaunchPad™ Introduction



MSPM0L Launchpad



MSPM0G Launchpad

Jumper Isolation Block

To use the XDS110 as the debug tool to download program on your own PCB board, users can remove the cap and plug the pin at upside.

Pin required to connect:

Power

- GND
- 3.3V

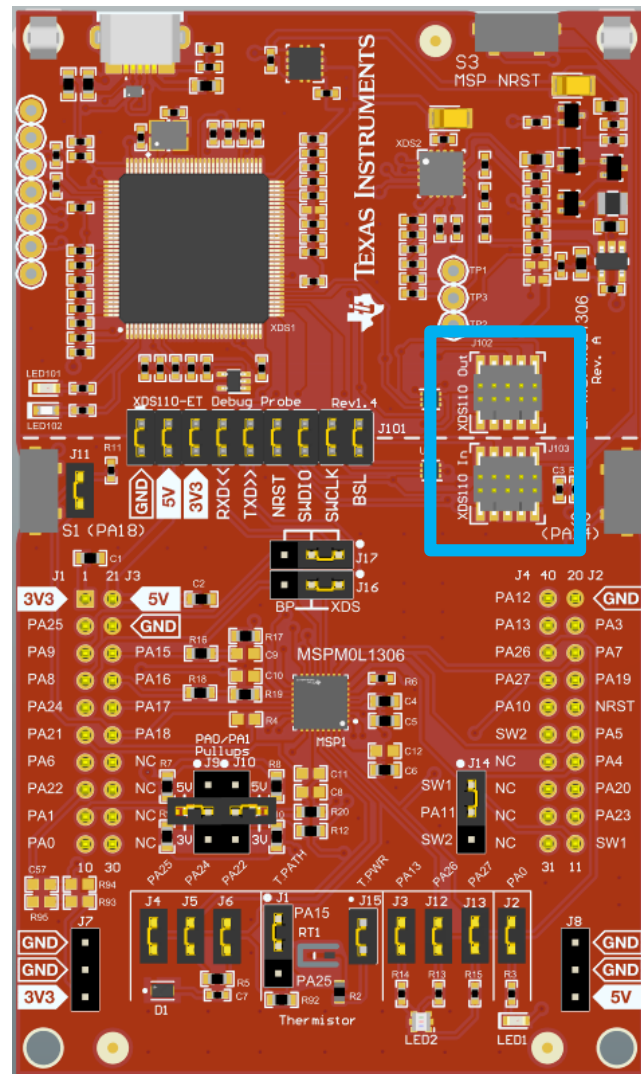
Reset pin

- NRST

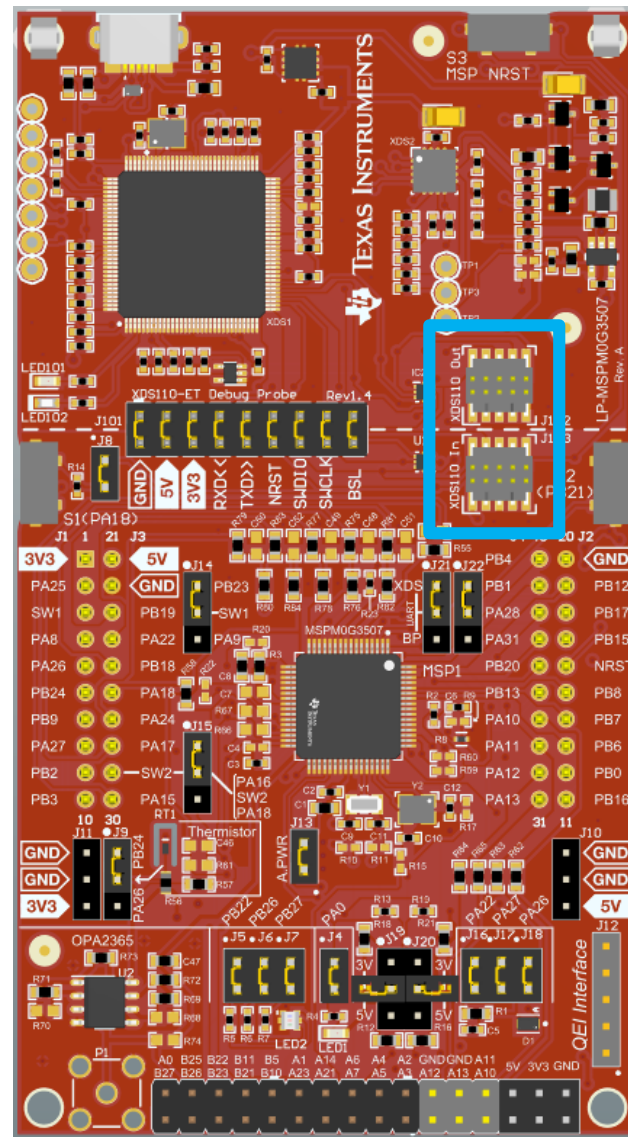
Arm debug channel

- SWDIO
- SWCLK

MSPM0 LaunchPad™ Introduction



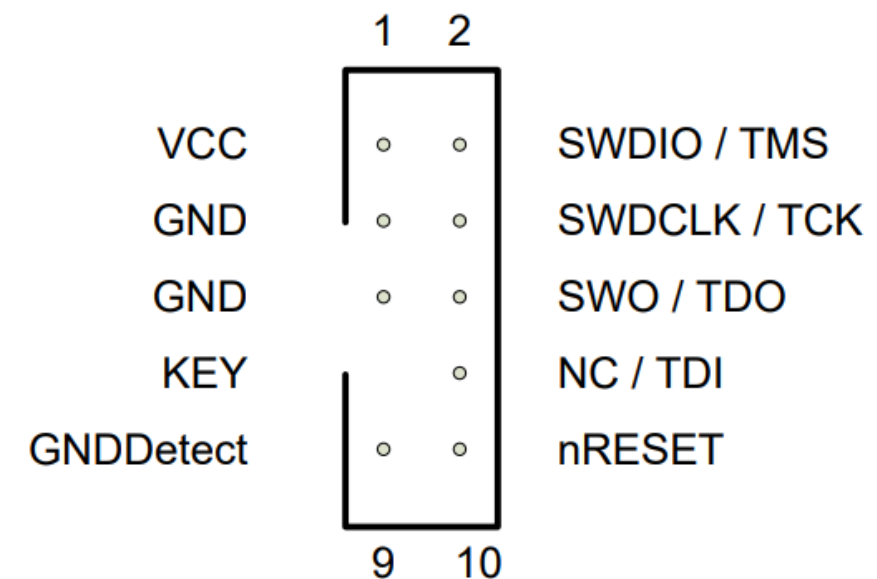
MSPM0L Launchpad



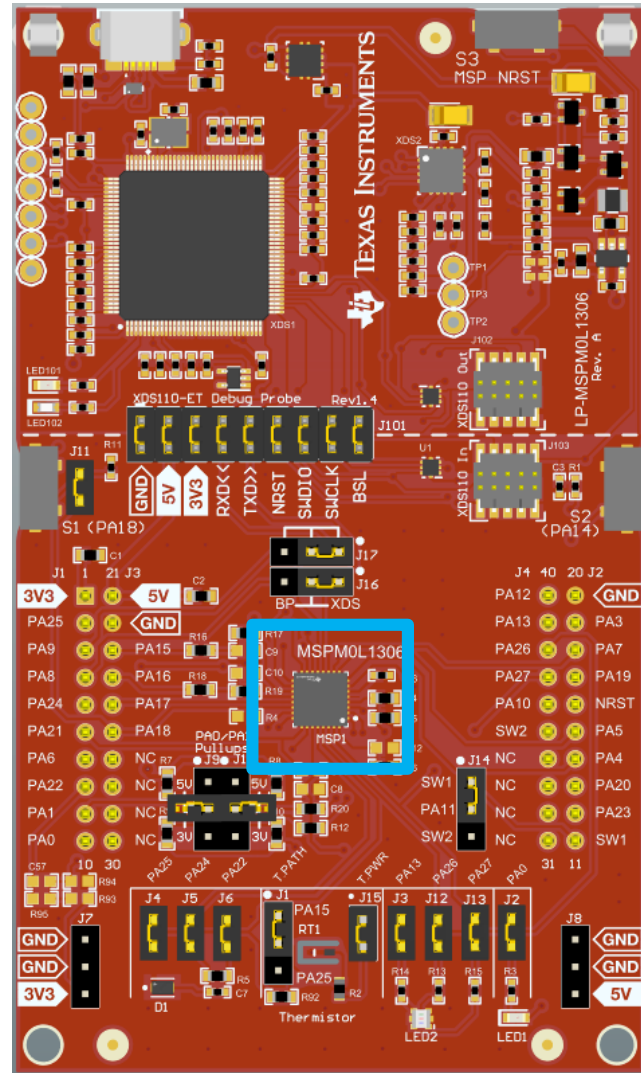
MSPM0G Launchpad

ARM® Cortex Debug Connector

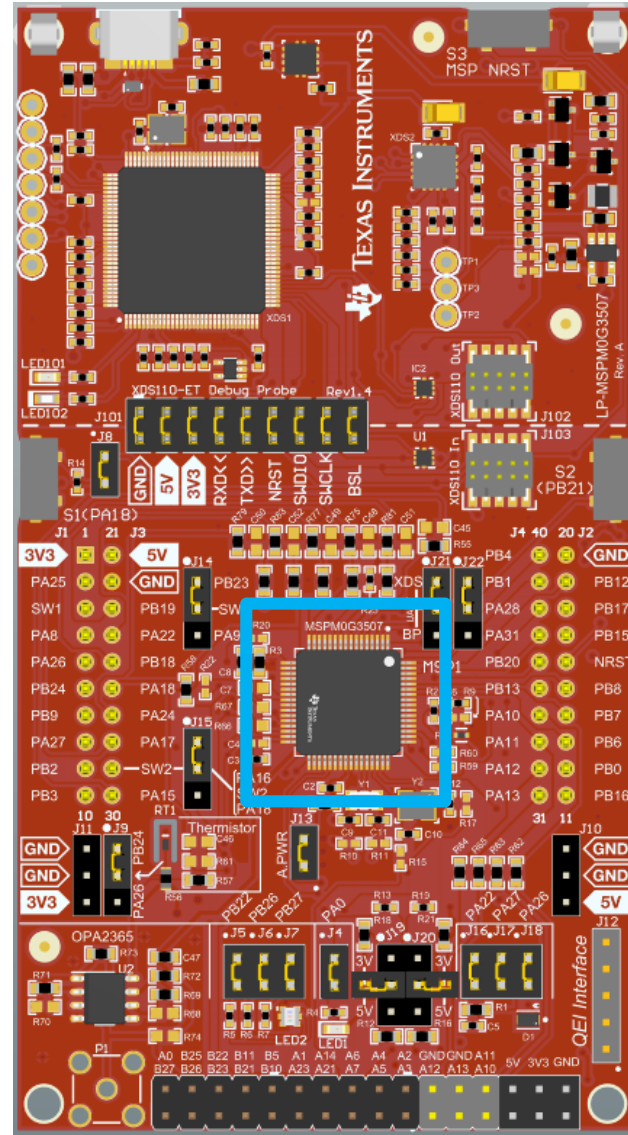
The Cortex Debug Connector supports JTAG debug, Serial Wire debug and Serial Wire Viewer (via SWO connection when Serial Wire debug mode is used) operations.



MSPM0 LaunchPad™ Introduction



MSPM0L Launchpad

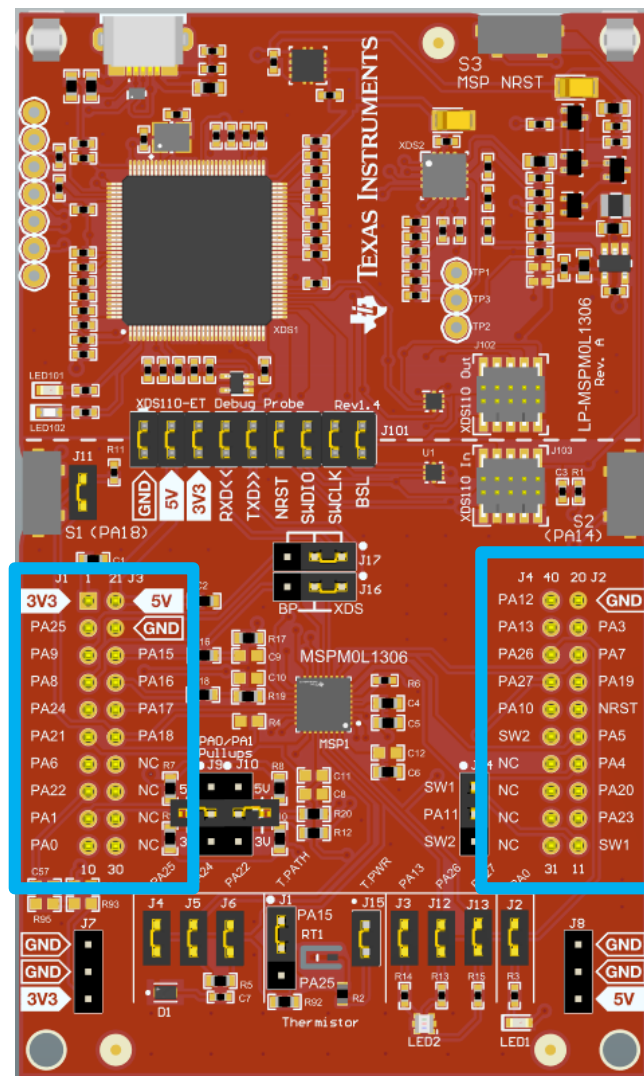


MSPM0G Launchpad

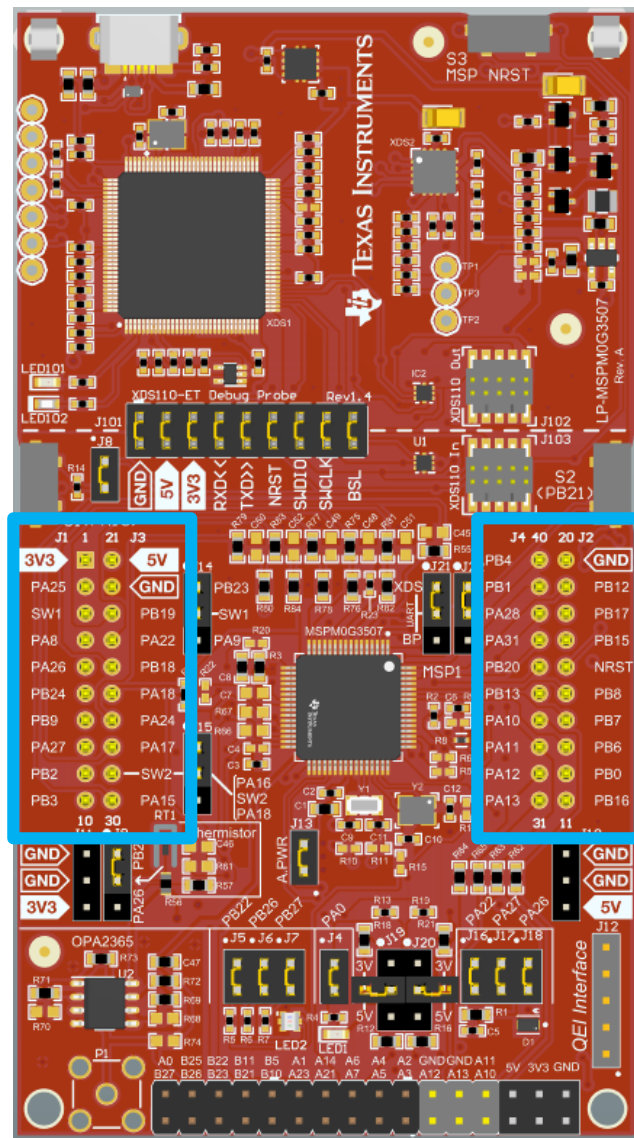
MSPM0™ MCU

- MSPM0L1306
- MSPM0G3507

MSPM0 LaunchPad™ Introduction



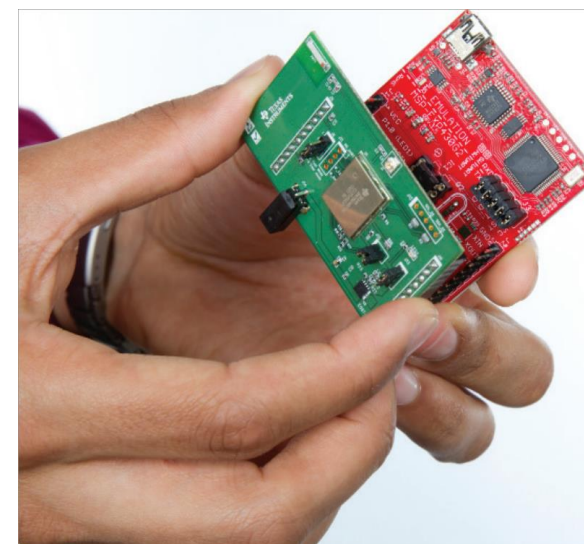
MSPM0L Launchpad



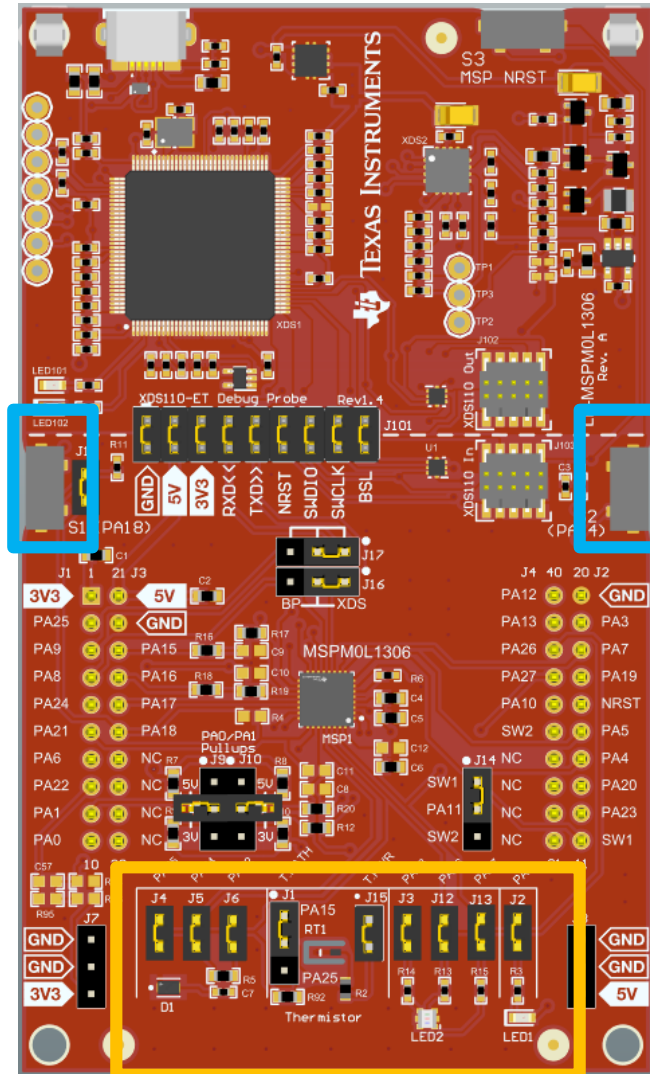
MSPM0G Launchpad

BoosterPack™ plug-in connector

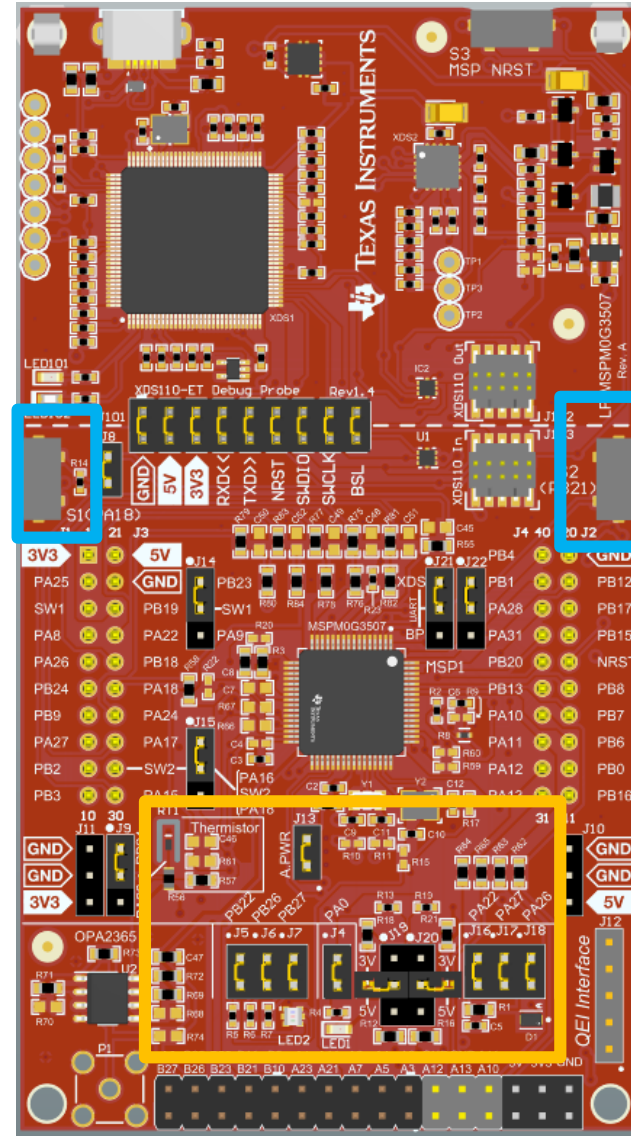
LaunchPad + BoosterPack combinations enable rapid prototyping of various applications and projects.



MSPM0 LaunchPad™ Introduction



MSPM0L Launchpad



MSPM0G Launchpad

Buttons

Sensors & LEDs

- Buttons for customer use x2
- Thermistor
- Light sensor
- LEDs

To find more MSPM0 training series, please visit:

- [Ti.com.cn](http://ti.com.cn)
- [WeChat \(德州仪器公众号\)](#)
- [Bilibili](#)
- [21IC](#)