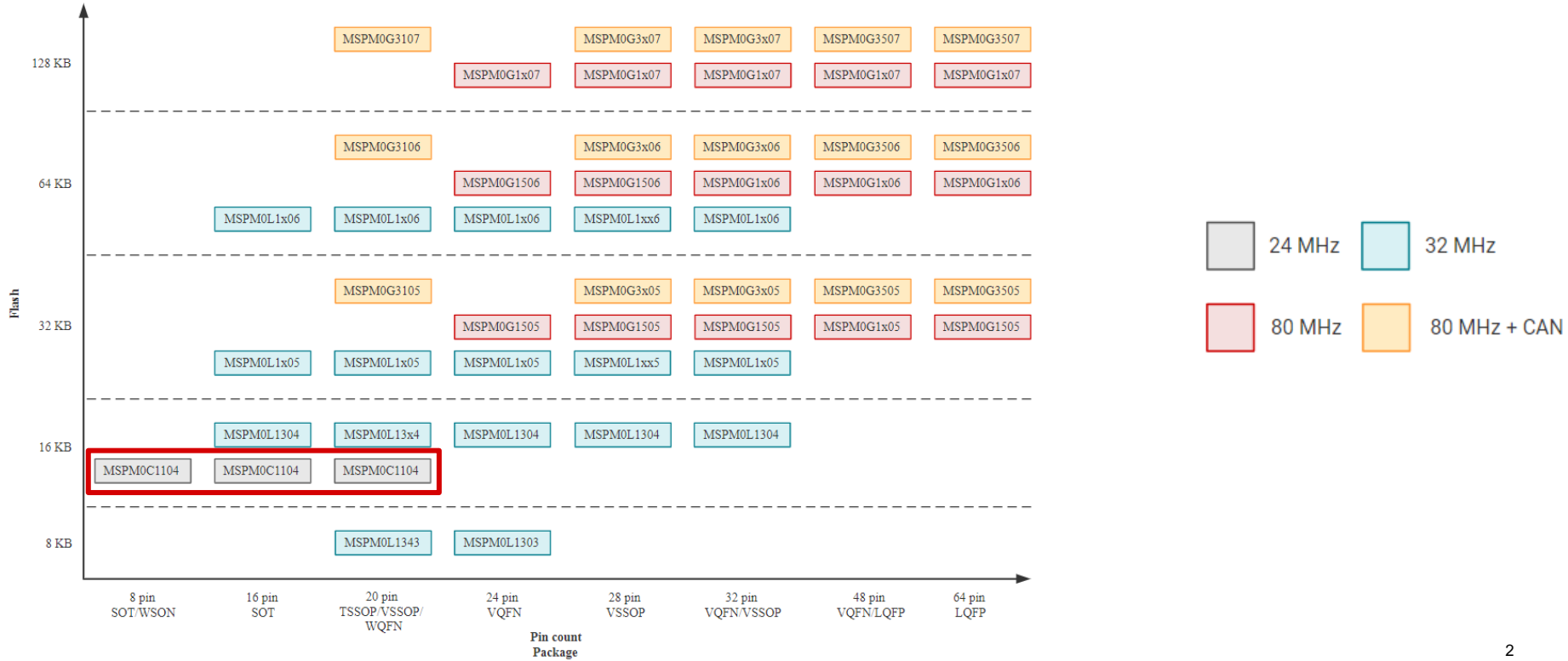


# MSPM0C Series

**Arm® Cortex® M0+ for 8/16bit cost-optimized applications**  
**Small, low-cost, & easy migration**

# Expanding our Arm<sup>®</sup> Cortex<sup>®</sup> M0+ portfolio



# MSPM0C1103/4 product overview

## Low cost

- Optimized cost structure
- Integrated peripherals: 12bit SAR ADC, LIN, advanced timer, etc.

## Small package

- 8-pin QFN package: 2.0 x 2.0 mm<sup>2</sup>, 0.50 mm pitch
- 8-pin SOT package: 2.8 x 2.9 mm<sup>2</sup>, 0.65 mm pitch

## Effortless Migration

- P2P in hardware with both TI MSPM0 family and selected MCU vendors
- Simplified code migration

## MSPM0C1103/4

1.62 - 3.6V  
-40 to 125 C

### CPU

**ARM Cortex-M0+**  
**24 MHz**

NVIC / 1-ch Basic DMA

### On-chip Memory

8, or 16 kB flash

1 kB SRAM

### Data Integrity & Security

CRC accelerator (16 bit)

### Programming & Debug

ARM SWD interface

### Power & Clocking

POR / BOR

Internal LF 32kHz (3%)

Internal HF 24MHz (1%)

### Communication

UART w/ LIN (1)

SPI (1)

I2C (1) w/ FastMode+

### Precision Analog

12-bit SAR ADC (10-ch)

Internal ADC reference (1.5%)

### Timers

Advanced control 16-bit 4 CC (1)

General purpose 16-bit 4 CC (1)

General purpose 16-bit 2 CC (1)

Windowed watchdog

### IO

Up to 18 GPIO

Leaded packages: SOT-8/16, VSSOP-20, TSSOP-20  
No-lead packages: WSON-8, WQFN-20

# MSPM0 C-series MCUs | broad applications

24 MHz low-cost MCU with up to 16kB flash, 20 pins, 12-bit ADC

## BUILDING & FACTORY AUTOMATION



Smoke detector



Gas detector



PIR sensor



Garage sensor



Field transmitter

## APPLIANCE



Coffee machine



Power tool



Vacuum cleaner



Dish washer

## PERSONAL ELECTRONIC



TWS



Stylus



E-toothbrush



Shaver



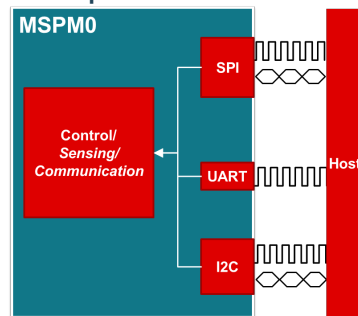
Printer



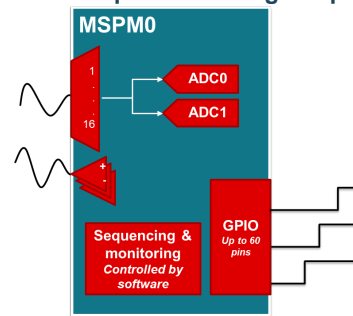
Wireless charger

## SUBSYSTEM

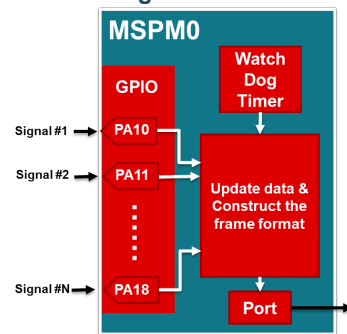
### > IO Expander



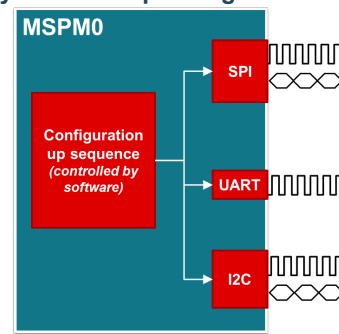
### > Power Sequencer/Voltage Supervisor



### > Watch Dog



### > System startup/configuration controller

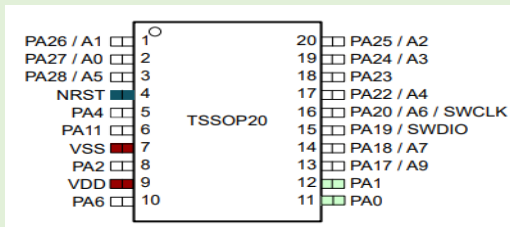


# MSPM0 C-series MCUs | effortless migration

24 MHz low-cost MCU with up to 16kB flash, 20 pins, 12-bit ADC

## Hardware

P2P with both TI MSPM0 family and selected MCU vendors



MSPM003 TSSOP20 pinout

## Software

Simplified code migration with header file replacement.

Library Components			
Compatible Documentation			
IDE Project Templates	Supported Peripherals		
	ADC1	AWU	BEEP
API Compatible Drivers	CLK	EXTI	FLASH
	GPIO	I2C	WWDG
	UART1	RST	SPI
	TIM1	TIM2	TIM4

## Improved performance

➤ 32 bit ARM Cortex M0+ core

8/16 bit replacement  
24MHz frequency

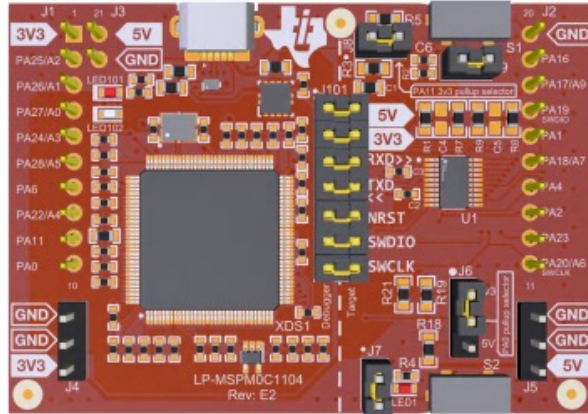
➤ Faster communication

I2C	1 MHz Fast Mode Plus
SPI	12 MHz
UART	3 MHz

➤ Integrated peripherals

12 bit SAR ADC up to 10-ch  
16 bit advanced timer

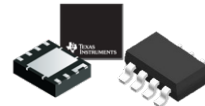
# Start your design with MSPM0C now



[LP-MSPM0C1104](#)  
Compact EVM available  
**\$5.99**

## ➤ **MSPM0 TI.com resource:**

- [MSPM0-SDK](#) – MSPM0 Software Development Kit (SDK)
- [MSPM0 Academy](#) – Self-pace training module
- [AN: Migration Guide From STM8 to MSPM0](#)
- [AN: Migration Guide From MSP430 MCUs to MSPM0 MCUs](#)



[MSPM0C1104](#)  
Get your sample at [ti.com](http://ti.com) now