

SAR REF Input: The Capacitive DAC (CDAC)

TIPL 4503

TI Precision Labs – ADCs

Created by Luis Chioye

Presented by Cynthia Sosa

Agenda

Reference Performance Specifications:

- Initial Accuracy, Drift, Long Term Drift, and Noise

Overview of SAR REF Drive Topologies:

- Reference standalone VS Buffered Reference

- SAR ADCs with Internal Reference Buffer

SAR REF Input Overview: The Capacitive DAC (CDAC)

Build TINA REF Input Model for a SAR:

- Discrete Charge Model

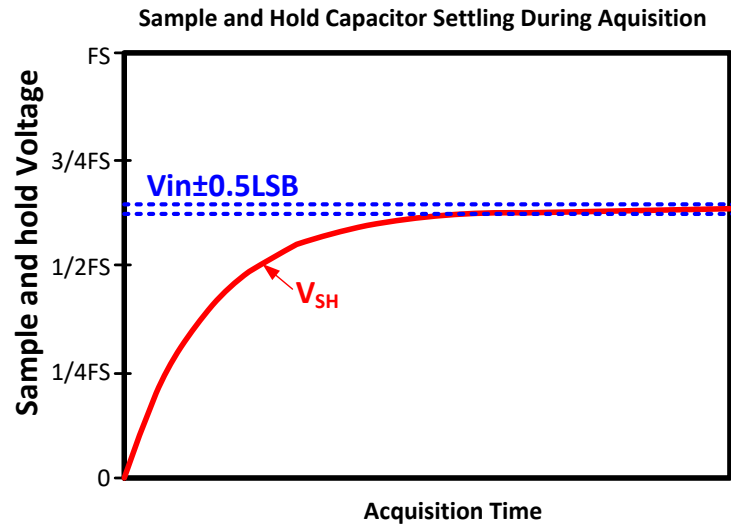
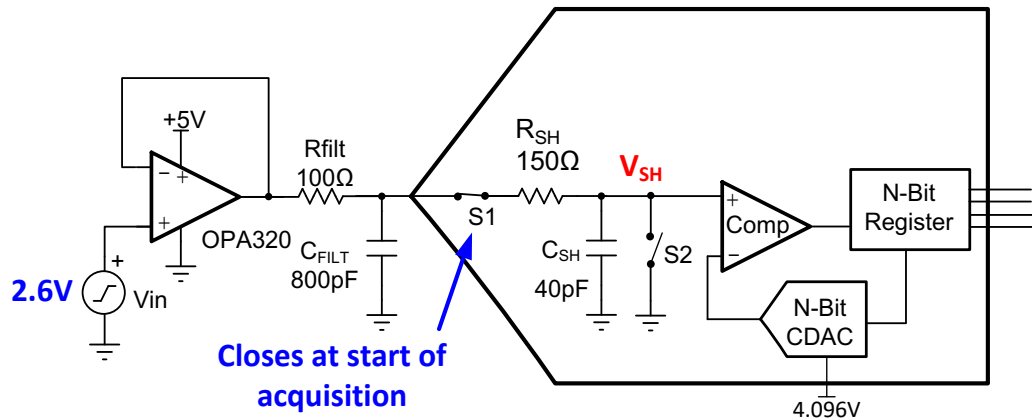
- TI Device Specific Model

SAR REF Drive Circuit Design:

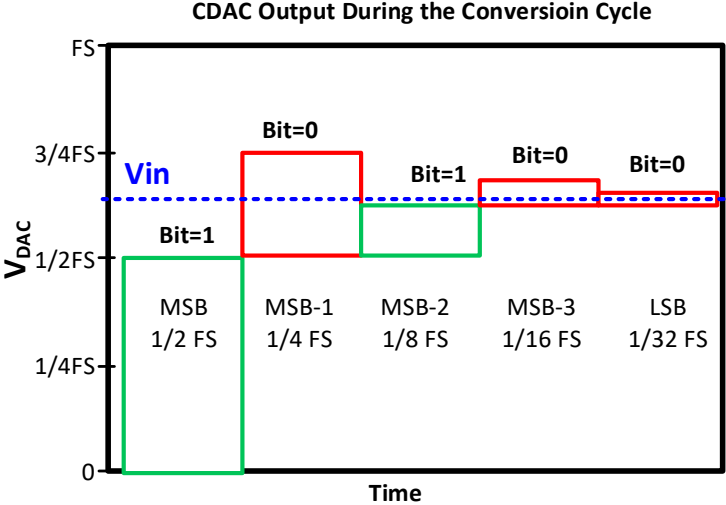
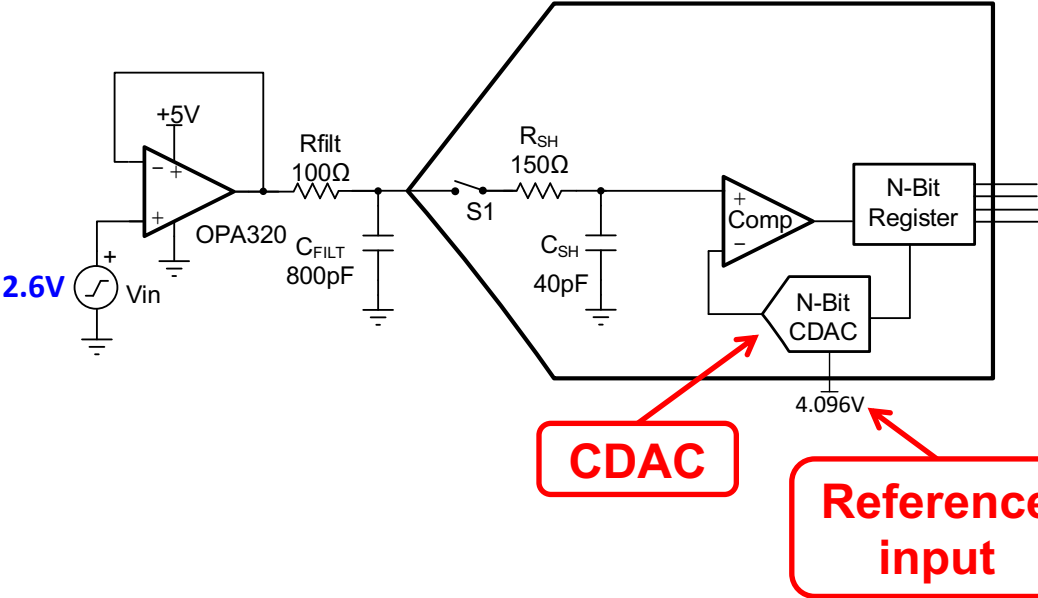
- Reference Bypass Capacitor

- Reference Buffer Stability and Compensation

Acquisition phase

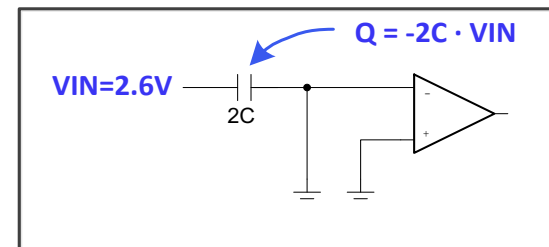
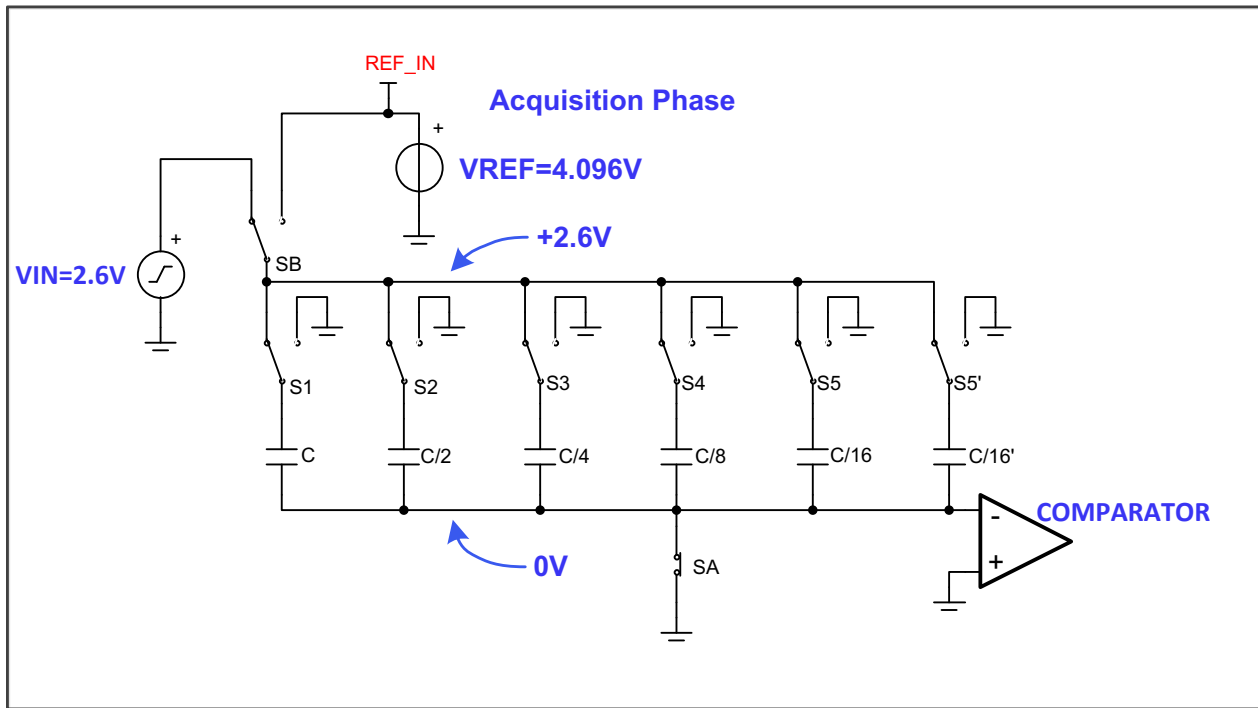


Conversion Phase



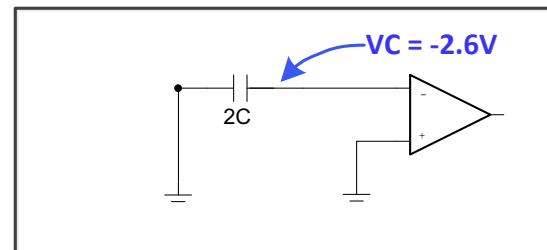
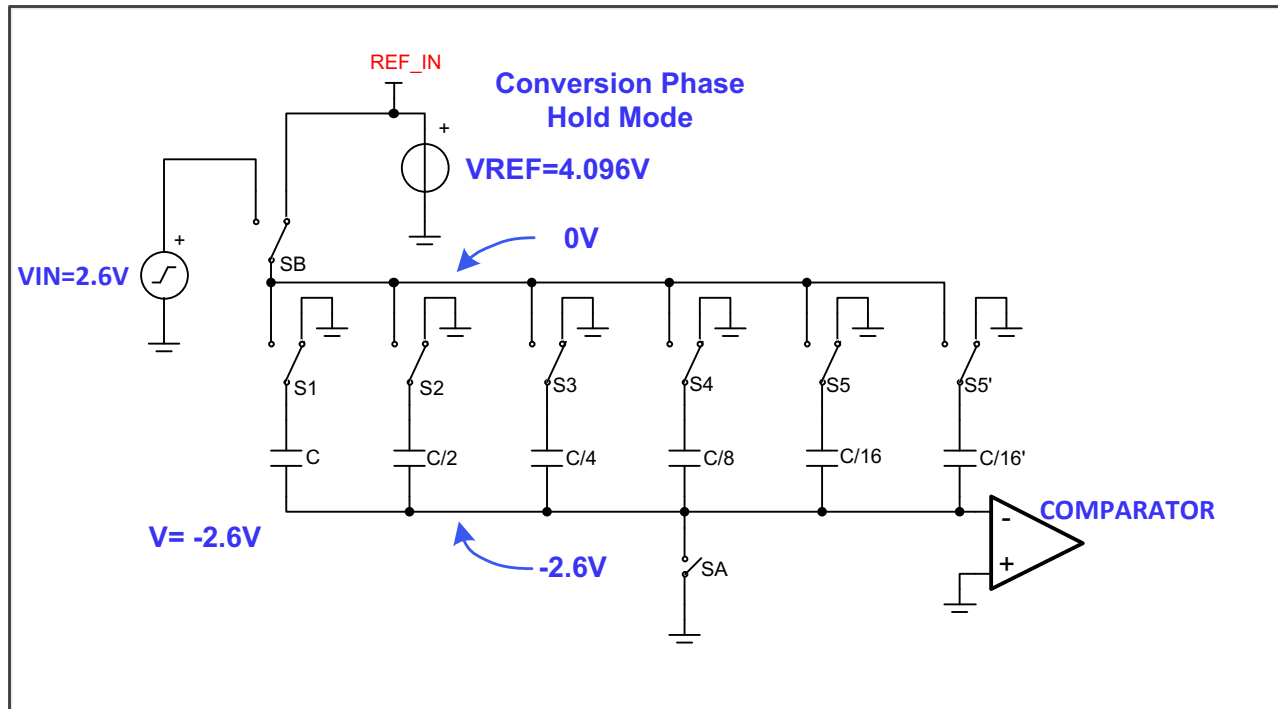
SAR ADC Architecture: The Capacitive DAC (1)

Based on TLV- Series SAR ADCs



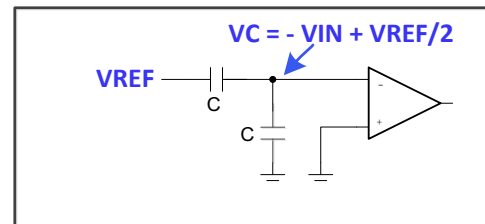
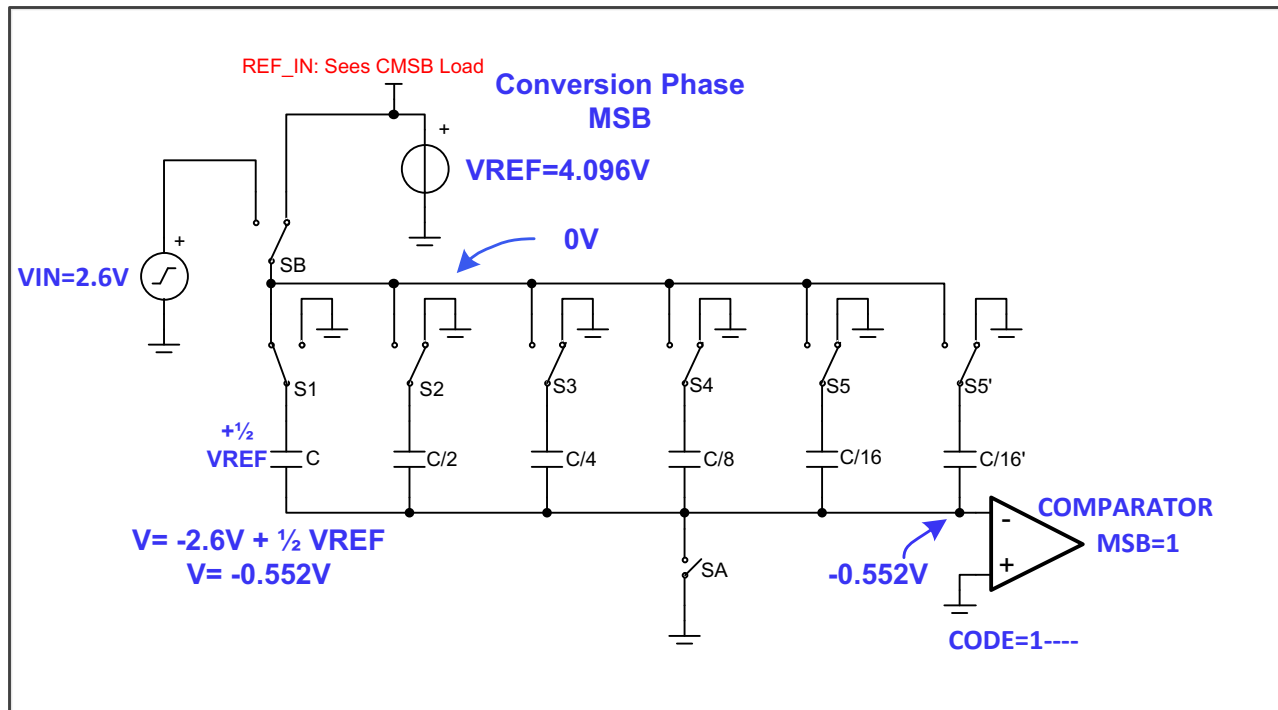
SAR ADC Architecture: The Capacitive DAC (2)

Based on TLV- Series SAR ADCs



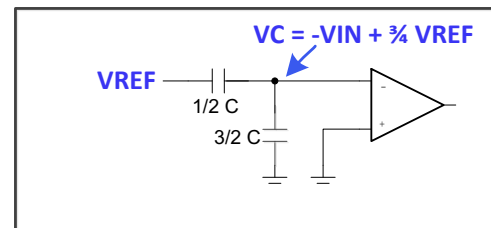
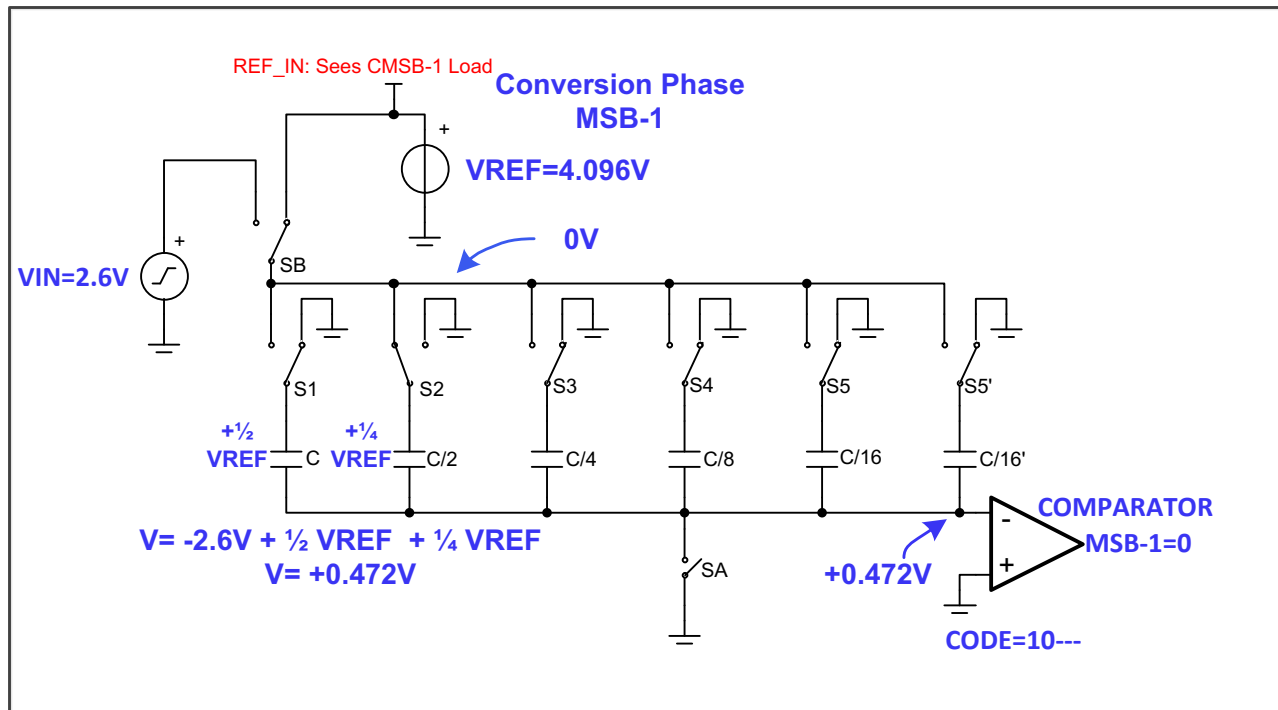
SAR ADC Architecture: The Capacitive DAC (3)

Based on TLV- Series SAR ADCs



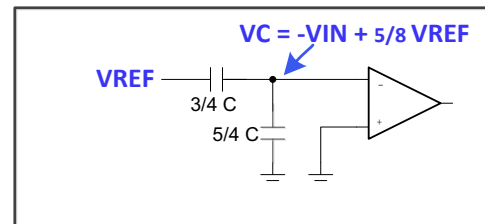
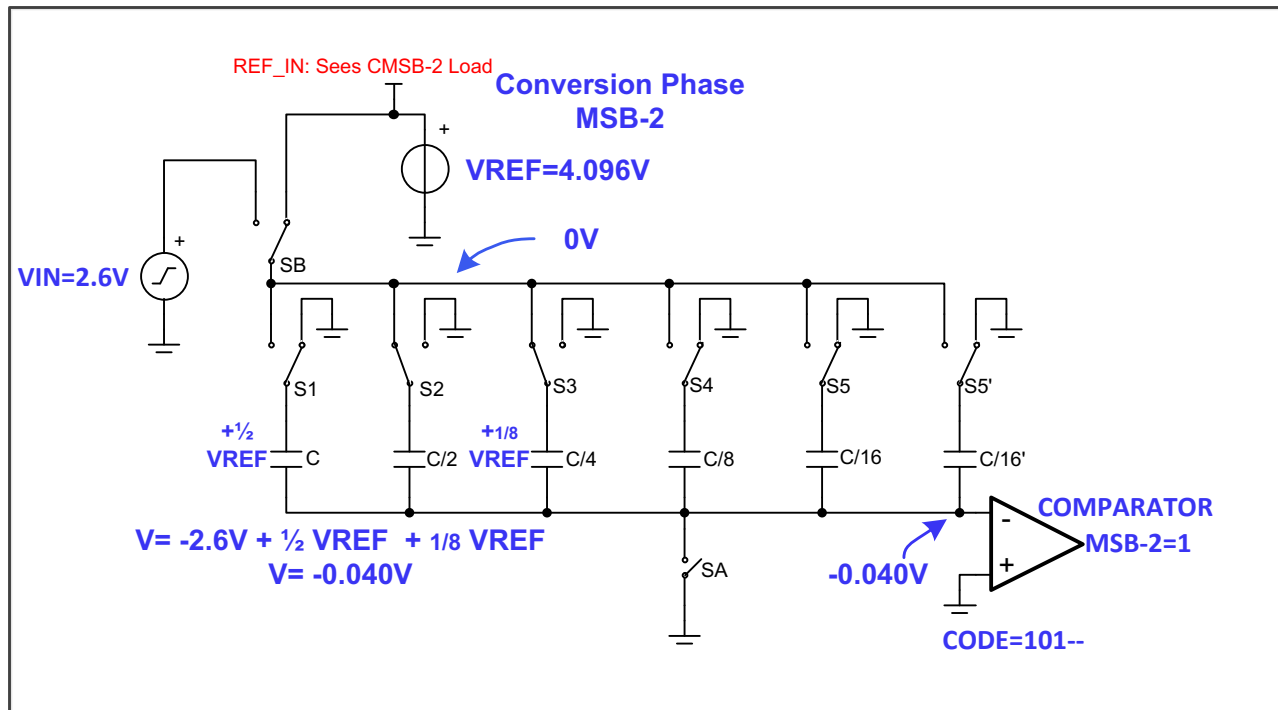
SAR ADC Architecture: The Capacitive DAC (4)

Based on TLV- Series SAR ADCs



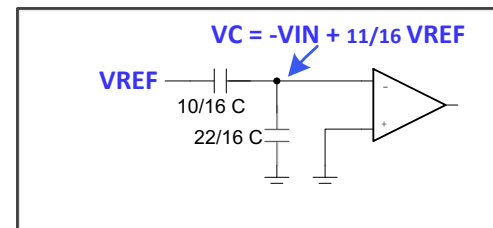
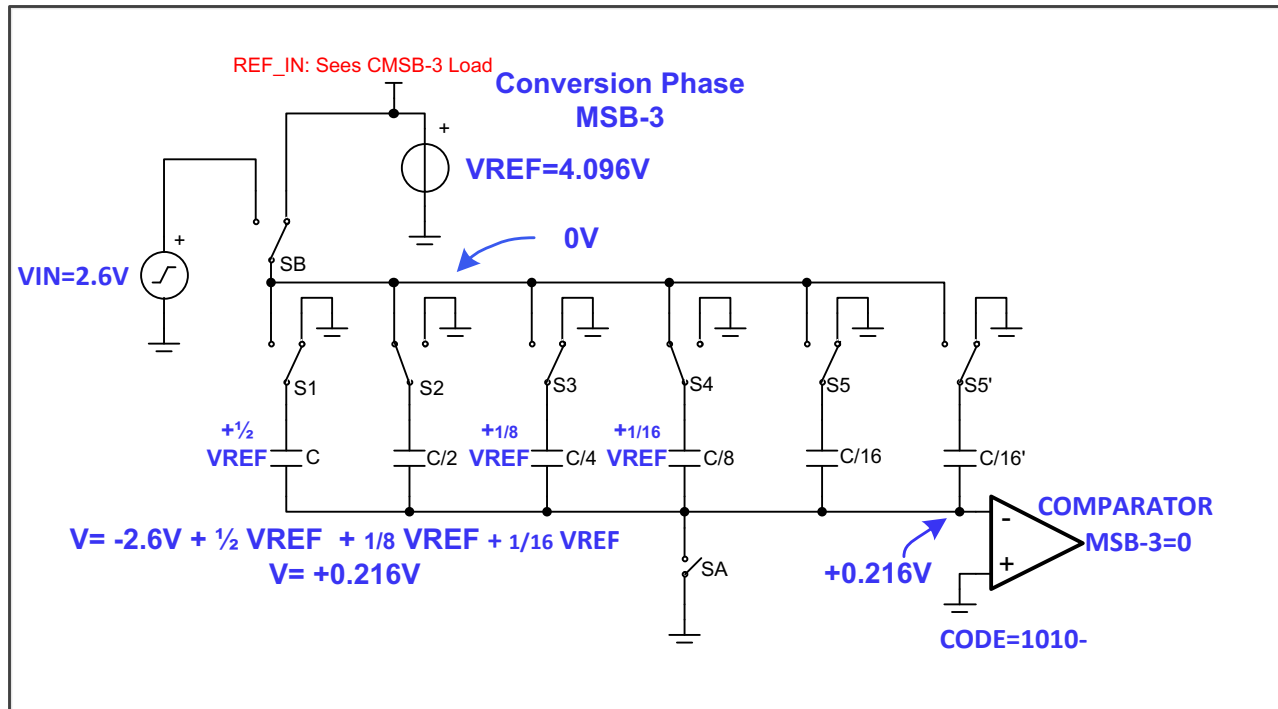
SAR ADC Architecture: The Capacitive DAC (5)

Based on TLV- Series SAR ADCs



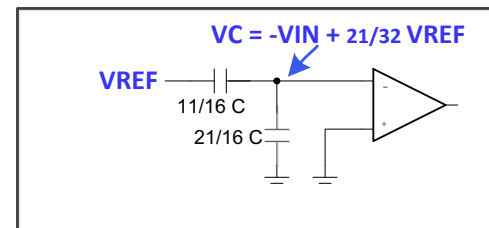
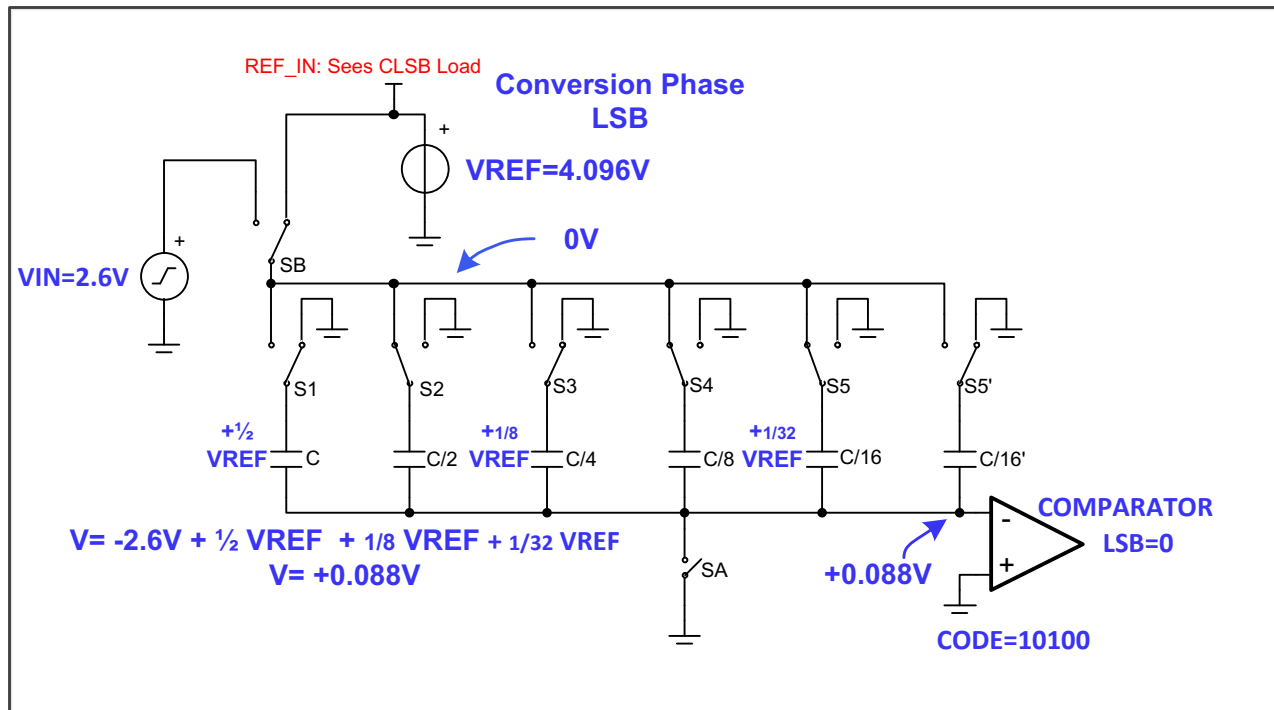
SAR ADC Architecture: The Capacitive DAC (6)

Based on TLV- Series SAR ADCs



SAR ADC Architecture: The Capacitive DAC (7)

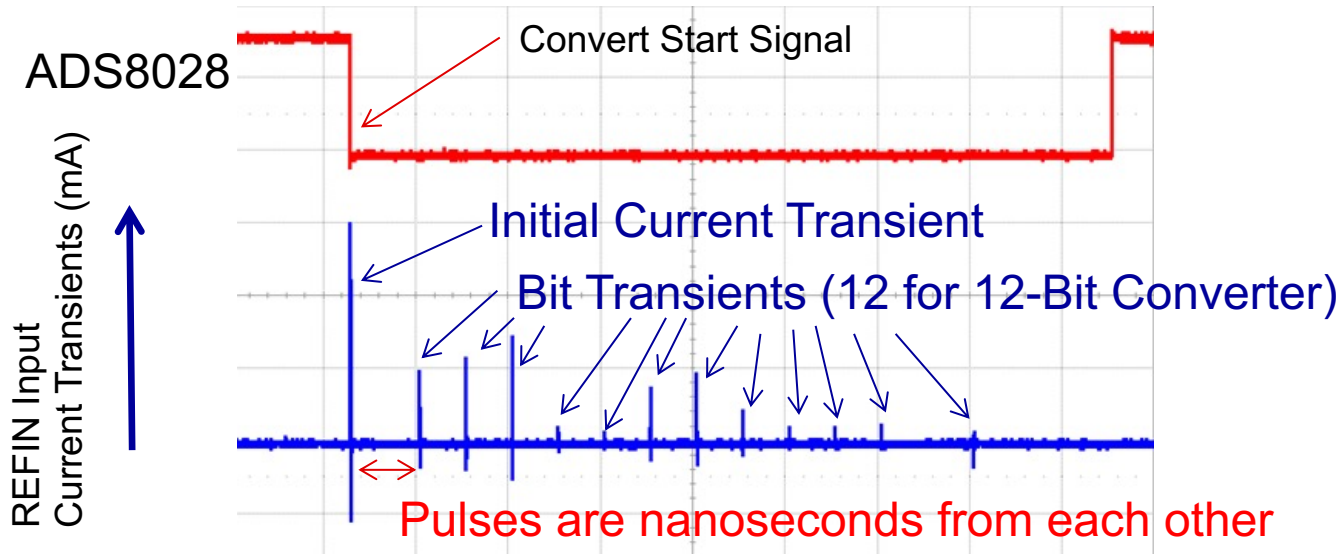
Based on TLV- Series SAR ADCs



Thomas Kulgestad:
The operation of the SAR-ADC based on charge redistribution,
 Analog Applications Journal (slyt176), Texas Instruments, February 2000.

SAR ADC Architecture

- The Reference is sampled several times during each conversion
- High-current transients (~10's mA range) are present in this REF input where the ADC's internal capacitor array is switched and charged as the bit decisions are made.
- Current transient pulses occur only a few nanoseconds away of each other during conversion.



**Thanks for your time!
Please try the quiz.**



©Copyright 2017 Texas Instruments Incorporated. All rights reserved.

This material is provided strictly “as-is,” for informational purposes only, and without any warranty.
Use of this material is subject to TI’s **Terms of Use**, viewable at TI.com