

# DRV8434A-Q1 Automotive Stepper Driver With Integrated Current Sense, 1/256 Microstepping, smart tune and Stall Detection using GPIO pins

## 1 Features

- AEC-Q100 Qualified for Automotive
- [Functional Safety-Capable](#)
  - Documentation available to aid functional safety system design
- PWM Microstepping Stepper Motor Driver
  - Simple STEP/DIR Interface
  - Up to 1/256 Microstepping Indexer
- Integrated Current Sense Functionality
  - No Sense Resistors Required
  - $\pm 4\%$  Full-Scale Current Accuracy
- Smart tune ripple control decay
- Stall Detection using GPIO pins
- 4.5 to 48V Operating Supply Voltage Range
- Low  $R_{DS(ON)}$ : 330m $\Omega$  HS + LS at 24V, 25°C
- High Current Capacity: 2.5A Full-Scale, 1.8A rms
- Supports 1.8V, 3.3V, 5.0V Logic Inputs
- Low-Current Sleep Mode (2  $\mu$ A)
- Spread spectrum clocking for low EMI
- Small Package and Footprint
- Protection Features
  - VM Undervoltage Lockout (UVLO)
  - Charge Pump Undervoltage (CPUV)
  - Overcurrent Protection (OCP)
  - Sensorless stall detection
  - Open Load Detection (OL)
  - Thermal Shutdown (OTSD)
  - Fault Condition Output (nFAULT)

## 2 Applications

- [Automotive bipolar stepper motors](#)
- [Headlight position adjustment](#)
- [Head-up display \(HUD\)](#)
- [HVAC stepper motors](#)
- [Electronic fuel injection \(EFI\)](#)
- [Electronic expansion valves \(EEV\)](#)

## 3 Description

The DRV8434-Q1 is a stepper motor driver for automotive applications. The device is fully integrated with two N-channel power MOSFET H-bridge drivers, a microstepping indexer, and integrated current sensing. The DRV8434-Q1 is capable of driving up to 2.5A full-scale output current (dependent on PCB thermal design).

The DRV8434-Q1 uses an internal current sense architecture to eliminate the need for two external power sense resistors, saving PCB area and system

cost. The device uses an internal PWM current regulation scheme with smart tune ripple control decay. Smart tune automatically adjusts for optimal current regulation, compensates for motor variation and aging effects and reduces audible noise from the motor.

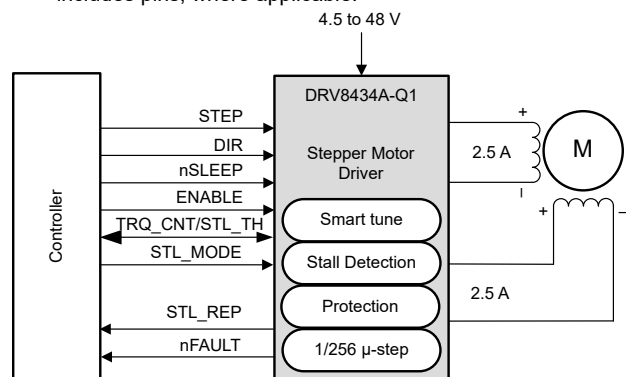
A simple STEP/DIR interface allows an external controller to manage the direction and step rate of the stepper motor. The device can be configured in full-step to 1/256 microstepping. A low-power sleep mode is provided using a dedicated nSLEEP pin.

The DRV8434-Q1 features advanced stall detection algorithm configurable by two digital IO and one analog IO pins, and does not require an SPI interface to detect stall. By detecting motor stall, system designers can identify if the motor was obstructed and take action as needed which can improve efficiency, prevent damage and reduce audible noise. Other protection features include supply undervoltage, charge pump faults, overcurrent, short circuits, open load, and overtemperature. Fault conditions are indicated by the nFAULT pin.

### Device Information

| PART NUMBER      | PACKAGE (1) | PACKAGE SIZE (NOM)(2) |
|------------------|-------------|-----------------------|
| DRV8434AQWRGERQ1 | VQFN (24)   | 4mm x 4mm             |

- (1) For all available packages, see the orderable addendum at the end of the data sheet.
- (2) The package size (length  $\times$  width) is a nominal value and includes pins, where applicable.

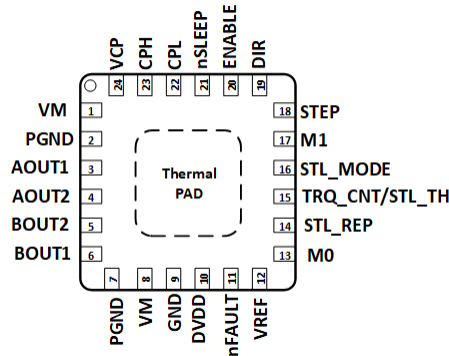


**Simplified Schematic**

## Table of Contents

|  |    |  |    |
|--|----|--|----|
| <b>1 Features</b> .....                        | 1  | 7.1 Application Information.....                                 | 29 |
| <b>2 Applications</b> .....                    | 1  | 7.2 Typical Application.....                                     | 29 |
| <b>3 Description</b> .....                     | 1  | <b>8 Power Supply Recommendations</b> .....                      | 33 |
| <b>4 Pin Configuration and Functions</b> ..... | 3  | 8.1 Bulk Capacitance.....  | 33 |
| 4.1 Pin Functions.....                         | 3  | <b>9 Layout</b> .....  | 34 |
| <b>5 Specifications</b> .....                  | 5  | 9.1 Layout Guidelines.....                                       | 34 |
| 5.1 Absolute Maximum Ratings.....              | 5  | 9.2 Layout Example.....  | 34 |
| 5.2 ESD Ratings.....                           | 5  | <b>10 Device and Documentation Support</b> .....                 | 35 |
| 5.3 Recommended Operating Conditions.....      | 6  | 10.1 Related Documentation.....                                  | 35 |
| 5.4 Thermal Information.....                   | 6  | 10.2 Receiving Notification of Documentation Updates..           | 35 |
| 5.5 Electrical Characteristics.....            | 7  | 10.3 Support Resources.....                                      | 35 |
| 5.6 STEP and DIR Timing Requirements.....      | 8  | 10.4 Trademarks.....   | 35 |
| <b>6 Detailed Description</b> .....            | 11 | 10.5 Electrostatic Discharge Caution.....                        | 35 |
| 6.1 Overview.....                              | 11 | 10.6 Glossary.....   | 35 |
| 6.2 Functional Block Diagram.....              | 12 | <b>11 Revision History</b> .....                                 | 35 |
| 6.3 Feature Description.....                   | 13 | <b>12 Mechanical, Packaging, and Orderable Information</b> ..... | 36 |
| 6.4 Device Functional Modes.....               | 27 |  |    |
| <b>7 Application and Implementation</b> .....  | 29 |  |    |

## 4 Pin Configuration and Functions



**Figure 4-1. RGE Package 24-Pin VQFN with Exposed Thermal PAD Top View**

### 4.1 Pin Functions

| PIN            |             | I/O | TYPE         | DESCRIPTION  |
|----------------|-------------|-----|--------------|--|
| NAME           | NO.<br>VQFN |     |              |  |
| AOUT1          | 3           | O   | Output       | Winding A output. Connect to stepper motor winding.  |
| AOUT2          | 4           | O   | Output       | Winding A output. Connect to stepper motor winding.  |
| PGND           | 2, 7        | —   | Power        | Power ground. Connect to system ground.  |
| BOUT2          | 5           | O   | Output       | Winding B output. Connect to stepper motor winding   |
| BOUT1          | 6           | O   | Output       | Winding B output. Connect to stepper motor winding   |
| CPH            | 23          | —   | Power        | Charge pump switching node. Connect a X7R, 0.022- $\mu$ F, VM-rated ceramic capacitor from CPH to CPL.   |
| CPL            | 22          |     |              |  |
| DIR            | 19          | I   | Input        | Direction input. Logic level sets the direction of stepping; internal pulldown resistor.   |
| ENABLE         | 20          | I   | Input        | Logic low to disable device outputs; logic high to enable device outputs; Hi-Z to enable 8x torque count scaling.  |
| DVDD           | 10          | —   | Power        | Logic supply voltage. Connect a X7R, 0.47- $\mu$ F to 1- $\mu$ F, 6.3-V or 10-V rated ceramic capacitor to GND.  |
| GND            | 9           | —   | Power        | Device ground. Connect to system ground.   |
| VREF           | 12          | I   | Input        | Current set reference input. Maximum value 3.3 V. DVDD can be used to provide VREF through a resistor divider.   |
| M0             | 13          | I   | Input        | Microstepping mode-setting pins. Sets the step mode.   |
| M1             | 17          |     |              |  |
| STL_MODE       | 16          | I   | Input        | Pin input level programs the stall detection mode:<br>0 = Torque count mode, torque count analog voltage is output on the TRQ_CNT/STL_TH pin.<br>Hi-Z = Learning mode, learning result analog voltage is output on the TRQ_CNT/STL_TH pin.<br>1 = Stall threshold mode, stall threshold is set by an input voltage on the TRQ_CNT/STL_TH pin.<br>Tied to ground with a 330k resistor = Stall detection disabled. |
| TRQ_CNT/STL_TH | 15          | I/O | Input/Output | Torque count analog output or stall threshold analog input depending on STL_MODE pin input level. A 1nF capacitor must be connected from this pin to ground.   |
| STEP           | 18          | I   | Input        | Step input. A rising edge causes the indexer to advance one step; internal pulldown resistor.  |

| PIN     |             | I/O | TYPE       | DESCRIPTION   |
|---------|-------------|-----|------------|---|
| NAME    | NO.<br>VQFN |     |            |   |
| VCP     | 24          | —   | Power      | Charge pump output. Connect a X7R, 0.22- $\mu$ F, 16-V ceramic capacitor to VM.   |
| VM      | 1, 8        | —   | Power      | Power supply. Connect to motor supply voltage and bypass to PGND with two 0.01- $\mu$ F ceramic capacitors (one for each pin) plus a bulk capacitor rated for VM.   |
| STL_REP | 14          | O   | Open Drain | Stall fault report output. Requires a pullup resistor. A low to high transition indicates a stall. A high to low transition indicates a successful learning. If this pin is connected to ground, stall fault reporting is disabled. |
| nFAULT  | 11          | O   | Open Drain | Fault output. Pulled logic low when a fault is detected; open-drain output. Requires a pullup resistor.   |
| nSLEEP  | 21          | I   | Input      | Sleep mode control. Logic high to enable device; logic low to enter low-power sleep mode; internal pulldown resistor. An nSLEEP low pulse clears faults.  |
| PAD     | -           | -   | -          | Thermal pad. Connect to system ground.  |

## 5 Specifications

### 5.1 Absolute Maximum Ratings

over operating free-air temperature range (unless otherwise noted)<sup>(1)</sup>

|  | MIN                | MAX          | UNIT |
|--|--------------------|--------------|------|
| Power supply voltage (VM)  | -0.3               | 50           | V    |
| Charge pump voltage (VCP, CPH)   | -0.3               | $V_{VM} + 7$ | V    |
| Charge pump negative switching pin (CPL)   | -0.3               | $V_{VM}$     | V    |
| nSLEEP pin voltage (nSLEEP)  | -0.3               | $V_{VM}$     | V    |
| Internal regulator voltage (DVDD)  | -0.3               | 5.75         | V    |
| Control pin voltage (STEP, DIR, ENABLE, nFAULT, STL_MODE, STL_REP, TRQ_CNT/STL_TH, M0, M1) | -0.3               | 5.75         | V    |
| Open drain output current (nFAULT, STL_REP)  | 0                  | 10           | mA   |
| Reference input pin voltage (VREF)   | -0.3               | 5.75         | V    |
| Continuous phase node pin voltage (AOUT1, AOUT2, BOUT1, BOUT2)                             | -1                 | $V_{VM} + 1$ | V    |
| Transient 100 ns phase node pin voltage (AOUT1, AOUT2, BOUT1, BOUT2)                       | -3                 | $V_{VM} + 3$ | V    |
| Peak drive current (AOUT1, AOUT2, BOUT1, BOUT2)  | Internally Limited |              | A    |
| Operating ambient temperature, $T_A$   | -40                | 125          | °C   |
| Operating junction temperature, $T_J$  | -40                | 150          | °C   |
| Storage temperature, $T_{stg}$   | -65                | 150          | °C   |

(1) Stresses beyond those listed under *Absolute Maximum Ratings* may cause permanent damage to the device. These are stress ratings only, which do not imply functional operation of the device at these or any other conditions beyond those indicated under *Recommended Operating Conditions*. Exposure to absolute-maximum-rated conditions for extended periods may affect device reliability.

### 5.2 ESD Ratings

|             |                         |   | VALUE | UNIT |
|-------------|-------------------------|---|-------|------|
| $V_{(ESD)}$ | Electrostatic discharge | Human-body model (HBM), per ANSI/ESDA/JEDEC JS-001              | ±2000 | V    |
|             |                         | Charged-device model (CDM), per JEDEC specification JESD22-C101 | ±500  |      |

### 5.3 Recommended Operating Conditions

over operating free-air temperature range (unless otherwise noted)

|            |  | MIN  | MAX                | UNIT |
|------------|--|------|--------------------|------|
| $V_{VM}$   | Supply voltage range for normal (DC) operation | 4.5  | 48                 | V    |
| $V_I$      | Logic level input voltage                      | 0    | 5.5                | V    |
| $V_{VREF}$ | VREF voltage                                   | 0.05 | 3.3                | V    |
| $f_{STEP}$ | Applied STEP signal (STEP)                     | 0    | 500 <sup>(1)</sup> | kHz  |
| $I_{FS}$   | Motor full-scale current (xOUTx)               | 0    | 2.5 <sup>(2)</sup> | A    |
| $I_{rms}$  | Motor RMS current (xOUTx)                      | 0    | 1.8 <sup>(2)</sup> | A    |
| $T_A$      | Operating ambient temperature                  | -40  | 125                | °C   |
| $T_J$      | Operating junction temperature                 | -40  | 150                | °C   |

(1) STEP input can operate up to 500 kHz, but system bandwidth is limited by the motor load

(2) Power dissipation and thermal limits must be observed

### 5.4 Thermal Information

| THERMAL METRIC <sup>(1)</sup> |  | RGE (VQFN) | UNIT |
|-------------------------------|--|------------|------|
|                               |  | 24 PINS    |      |
| $R_{\theta JA}$               | Junction-to-ambient thermal resistance       | 39.0       | °C/W |
| $R_{\theta JC(top)}$          | Junction-to-case (top) thermal resistance    | 28.9       | °C/W |
| $R_{\theta JB}$               | Junction-to-board thermal resistance         | 16.0       | °C/W |
| $\psi_{JT}$                   | Junction-to-top characterization parameter   | 0.4        | °C/W |
| $\psi_{JB}$                   | Junction-to-board characterization parameter | 15.9       | °C/W |
| $R_{\theta JC(bot)}$          | Junction-to-case (bottom) thermal resistance | 3.4        | °C/W |

## 5.5 Electrical Characteristics

Typical values are at  $T_A = 25^\circ\text{C}$  and  $V_{VM} = 24\text{ V}$ . All limits are over recommended operating conditions, unless otherwise noted.

| PARAMETER  |  | TEST CONDITIONS  | MIN  | TYP          | MAX  | UNIT          |
|--|--|--|------|--------------|------|---------------|
| <b>POWER SUPPLIES (VM, DVDD)</b>                                   |  |  |      |              |      |               |
| $I_{VM}$   | VM operating supply current              | ENABLE = 1, nSLEEP = 1, No motor load                    |      | 5            | 6.5  | mA            |
| $I_{VMQ}$  | VM sleep mode supply current             | nSLEEP = 0   |      | 2            | 4    | $\mu\text{A}$ |
| $t_{SLEEP}$  | Sleep time                               | nSLEEP = 0 to sleep-mode                                 | 120  |              |      | $\mu\text{s}$ |
| $t_{RESET}$  | nSLEEP reset pulse                       | nSLEEP low to clear fault                                | 20   |              | 40   | $\mu\text{s}$ |
| $t_{WAKE}$   | Wake-up time                             | nSLEEP = 1 to output transition                          |      | 0.7          | 1.2  | ms            |
| $t_{ON}$   | Turn-on time                             | $V_{VM} > UVLO$ to output transition                     |      | 0.7          | 1.2  | ms            |
| $t_{EN}$   | Enable time                              | ENABLE = 0/1 to output transition                        |      |              | 1    | ms            |
| $V_{DVDD}$   | Internal regulator voltage               | No external load, $6\text{V} < V_{VM} < 48\text{V}$      | 4.75 | 5            | 5.25 | V             |
|  |  | No external load, $V_{VM} = 4.5\text{V}$                 | 4.2  | 4.4          |      | V             |
| <b>CHARGE PUMP (VCP, CPH, CPL)</b>                                 |  |  |      |              |      |               |
| $V_{VCP}$  | VCP operating voltage                    | $6\text{V} < V_{VM} < 48\text{V}$                        |      | $V_{VM} + 5$ |      | V             |
| $f_{(VCP)}$  | Charge pump switching frequency          | $V_{VM} > UVLO$ ; nSLEEP = 1                             |      | 390          |      | kHz           |
| <b>LOGIC-LEVEL INPUTS (STEP, DIR, nSLEEP)</b>                      |  |  |      |              |      |               |
| $V_{IL}$   | Input logic-low voltage                  |  | 0    |              | 0.6  | V             |
| $V_{IH}$   | Input logic-high voltage                 |  | 1.5  |              | 5.5  | V             |
| $V_{HYS}$  | Input logic hysteresis                   |  |      | 150          |      | mV            |
| $I_{IL}$   | Input logic-low current                  | $V_{IN} = 0\text{ V}$                                    | -1   |              | 1    | $\mu\text{A}$ |
| $I_{IH}$   | Input logic-high current                 | $V_{IN} = 5\text{ V}$                                    |      |              | 100  | $\mu\text{A}$ |
| <b>TRI-LEVEL INPUTS (M0, ENABLE)</b>                               |  |  |      |              |      |               |
| $V_{I1}$   | Input logic-low voltage                  | Tied to GND  | 0    |              | 0.6  | V             |
| $V_{I2}$   | Input Hi-Z voltage                       | Hi-Z   | 1.8  | 2            | 2.2  | V             |
| $V_{I3}$   | Input logic-high voltage                 | Tied to DVDD   | 2.7  |              | 5.5  | V             |
| $I_O$  | Output pull-up current                   |  |      | 10.5         |      | $\mu\text{A}$ |
| <b>QUAD-LEVEL INPUT (M1, STL_MODE)</b>                             |  |  |      |              |      |               |
| $V_{I1}$   | Input logic-low voltage                  | Tied to GND  | 0    |              | 0.6  | V             |
| $V_{I2}$   |  | $330\text{k}\Omega \pm 5\%$ to GND                       | 1    | 1.25         | 1.4  | V             |
| $V_{I3}$   | Input Hi-Z voltage                       | Hi-Z   | 1.8  | 2            | 2.2  | V             |
| $V_{I4}$   | Input logic-high voltage                 | Tied to DVDD   | 2.7  |              | 5.5  | V             |
| $I_{IL}$   | Output pull-up current                   |  |      | 10.5         |      | $\mu\text{A}$ |
| <b>TORQUE COUNT INPUT/ STALL THRESHOLD OUTPUT (TRQ_CNT/STL_TH)</b> |  |  |      |              |      |               |
| $V_{O1}$   | Output low voltage                       | STL_MODE = 0V  | 0.2  |              |      | V             |
| $V_{O2}$   | Output High voltage                      | STL_MODE = 0V  |      |              | 2.3  | V             |
| $V_{I1}$   | Input low voltage                        | STL_MODE = DVDD  | 0.2  |              |      | V             |
| $V_{I2}$   | Input High voltage                       | STL_MODE = DVDD  |      |              | 2.3  | V             |
| $N_{BIT}$  | Torque-count DAC Resolution              |  |      | 12           |      | Bits          |
| $C_{LOAD}$   | TRQ_CNT/STL_TH pin Capacitive Load       | $R_{LOAD} = \text{Infinite}$ , Phase margin = $45^\circ$ |      |              | 1    | nF            |
| $I_{SHORT}$  | TRQ_CNT/STL_TH pin short-circuit current | Full scale output shorted to GND                         |      | 3            |      | mA            |
| <b>CONTROL OUTPUTS (nFAULT, STL_REP)</b>                           |  |  |      |              |      |               |
| $V_{OL}$   | Output logic-low voltage                 | $I_O = 5\text{ mA}$                                      |      |              | 0.5  | V             |

Typical values are at  $T_A = 25^\circ\text{C}$  and  $V_{VM} = 24\text{ V}$ . All limits are over recommended operating conditions, unless otherwise noted.

| PARAMETER  |                                | TEST CONDITIONS  | MIN   | TYP          | MAX   | UNIT                   |
|--|--------------------------------|--|-------|--------------|-------|------------------------|
| $I_{OH}$   | Output logic-high leakage      |  | -1    |              | 1     | $\mu\text{A}$          |
| $V_{IL}$   | Input logic-low voltage        | STL_REP, pulled low to disable stall reporting                 | 0     |              | 0.6   | V                      |
| $V_{IH}$   | Input logic-high voltage       | STL_REP, pulled high to enable stall reporting                 | 1.5   |              | 5.5   | V                      |
| <b>MOTOR DRIVER OUTPUTS (AOUT1, AOUT2, BOUT1, BOUT2)</b> |                                |  |       |              |       |                        |
| $R_{DS(ON)}$   | High-side FET on resistance    | $T_J = 25^\circ\text{C}, I_O = -1\text{ A}$                    |       | 165          | 200   | $\text{m}\Omega$       |
|  |                                | $T_J = 125^\circ\text{C}, I_O = -1\text{ A}$                   |       | 240          | 300   | $\text{m}\Omega$       |
|  |                                | $T_J = 150^\circ\text{C}, I_O = -1\text{ A}$                   |       | 260          | 350   | $\text{m}\Omega$       |
| $R_{DS(ON)}$   | Low-side FET on resistance     | $T_J = 25^\circ\text{C}, I_O = 1\text{ A}$                     |       | 165          | 210   | $\text{m}\Omega$       |
|  |                                | $T_J = 125^\circ\text{C}, I_O = 1\text{ A}$                    |       | 240          | 300   | $\text{m}\Omega$       |
|  |                                | $T_J = 150^\circ\text{C}, I_O = 1\text{ A}$                    |       | 260          | 350   | $\text{m}\Omega$       |
| $t_{SR}$   | Output slew rate               | $V_{VM} = 24\text{ V}, I_O = 1\text{ A}$ , Between 10% and 90% |       | 240          |       | $\text{V}/\mu\text{s}$ |
| <b>PWM CURRENT CONTROL (VREF)</b>                        |                                |  |       |              |       |                        |
| $K_V$  | Transimpedance gain            | $V_{REF} = 3.3\text{ V}$                                       | 1.254 | 1.32         | 1.386 | $\text{V}/\text{A}$    |
| $I_{VREF}$   | VREF Leakage Current           | $V_{REF} = 3.3\text{ V}$                                       |       |              | 8.25  | $\mu\text{A}$          |
| $\Delta I_{TRIP}$  | Current trip accuracy          | $0.25\text{ A} < I_O < 0.5\text{ A}$                           | -12   |              | 12    | %                      |
|  |                                | $0.5\text{ A} < I_O < 1\text{ A}$                              | -6    |              | 6     |                        |
|  |                                | $1\text{ A} < I_O < 2.5\text{ A}$                              | -4    |              | 4     |                        |
| $I_{O,CH}$   | AOUT and BOUT current matching | $I_O = 2.5\text{ A}$   | -2.5  |              | 2.5   | %                      |
| <b>PROTECTION CIRCUITS</b>                               |                                |  |       |              |       |                        |
| $V_{UVLO}$   | VM UVLO lockout                | VM falling, UVLO falling                                       | 4.1   | 4.2          | 4.35  | V                      |
|  |                                | VM rising, UVLO rising   | 4.2   | 4.3          | 4.45  |                        |
| $V_{UVLO,HYS}$   | Undervoltage hysteresis        | Rising to falling threshold                                    |       | 120          |       | mV                     |
| $V_{CPUV}$   | Charge pump undervoltage       | VCP falling; CPUV report                                       |       | $V_{VM} + 2$ |       | V                      |
| $I_{OCP}$  | Overcurrent protection         | Current through any FET  | 4     |              |       | A                      |
| $t_{OCP}$  | Overcurrent deglitch time      |  |       | 2            |       | $\mu\text{s}$          |
| $t_{RETRY}$  | Overcurrent retry time         |  |       | 4            |       | ms                     |
| $t_{OL}$   | Open load detection time       |  |       |              | 65    | ms                     |
| $I_{OL}$   | Open load current threshold    |  |       | 100          |       | mA                     |
| $T_{OTSD}$   | Thermal shutdown               | Die temperature $T_J$  | 150   | 165          | 180   | $^\circ\text{C}$       |
| $T_{HYS\_OTSD}$  | Thermal shutdown hysteresis    | Die temperature $T_J$  |       | 20           |       | $^\circ\text{C}$       |

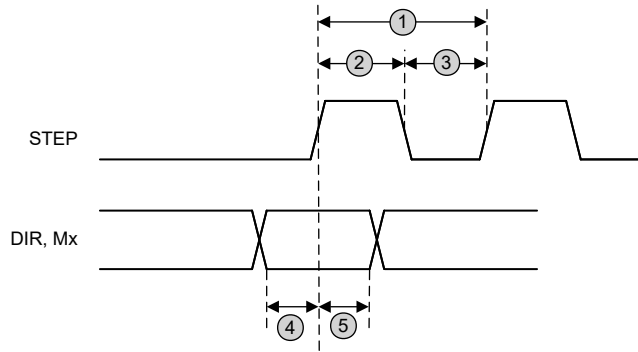
## 5.6 STEP and DIR Timing Requirements

Typical limits are at  $T_J = 25^\circ\text{C}$  and  $V_{VM} = 24\text{ V}$ . Over recommended operating conditions unless otherwise noted.

| NO. |                   |                                      | MIN | MAX                | UNIT |
|-----|-------------------|--------------------------------------|-----|--------------------|------|
| 1   | $f_{STEP}$        | Step frequency                       |     | 500 <sup>(1)</sup> | kHz  |
| 2   | $t_{WH\_STEP}$    | Pulse duration, STEP high            | 970 |                    | ns   |
| 3   | $t_{WL\_STEP}$    | Pulse duration, STEP low             | 970 |                    | ns   |
| 4   | $t_{SU\_DIR, Mx}$ | Setup time, DIR or Mx to STEP rising | 200 |                    | ns   |
| 5   | $t_{H\_DIR, Mx}$  | Hold time, DIR or Mx to STEP rising  | 200 |                    | ns   |

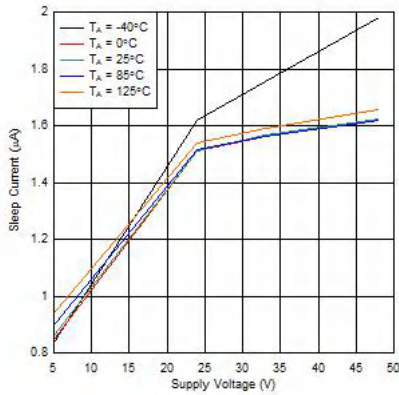
(1) STEP input can operate up to 500 kHz, but system bandwidth is limited by the motor load.



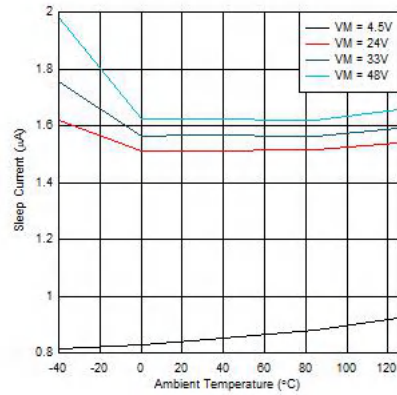


**Figure 5-1. STEP and DIR Timing Diagram**

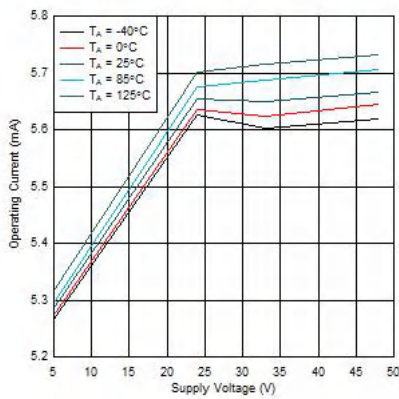
**5.6.1 Typical Characteristics**



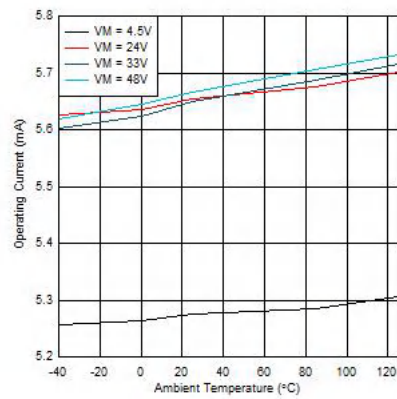
**Figure 5-2. Sleep Current over Supply Voltage**



**Figure 5-3. Sleep Current over Temperature**



**Figure 5-4. Operating Current over Supply Voltage**



**Figure 5-5. Operating Current over Temperature**

### 5.6.1 Typical Characteristics (continued)

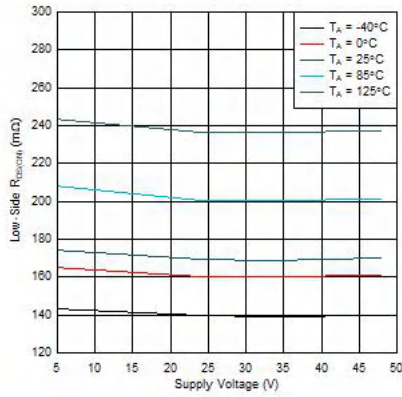


Figure 5-6. Low-Side  $R_{DS(ON)}$  over Supply Voltage

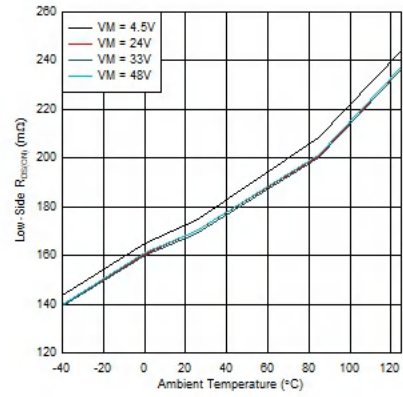


Figure 5-7. Low-Side  $R_{DS(ON)}$  over Temperature

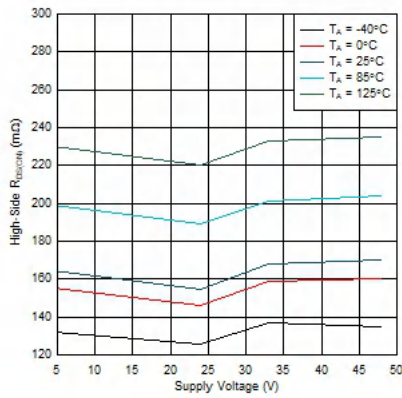


Figure 5-8. High-Side  $R_{DS(ON)}$  over Supply Voltage

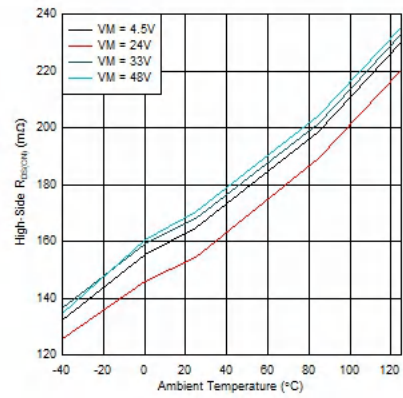


Figure 5-9. High-Side  $R_{DS(ON)}$  over Temperature

## 6 Detailed Description

### 6.1 Overview

The DRV8434A-Q1 is an integrated motor-driver solution for bipolar stepper motors. The device provides maximum integration by integrating two N-channel power MOSFET H-bridges, current sense resistors and regulation circuitry, and a microstepping indexer. The DRV8434A-Q1 is capable of supporting a wide supply voltage of 4.5 to 48 V. DRV8434A-Q1 provides an output current up to 4 A peak, 2.5 A full-scale, or 1.8 A root mean square (rms). The actual full-scale and rms current depends on the ambient temperature, supply voltage, and PCB thermal capability.

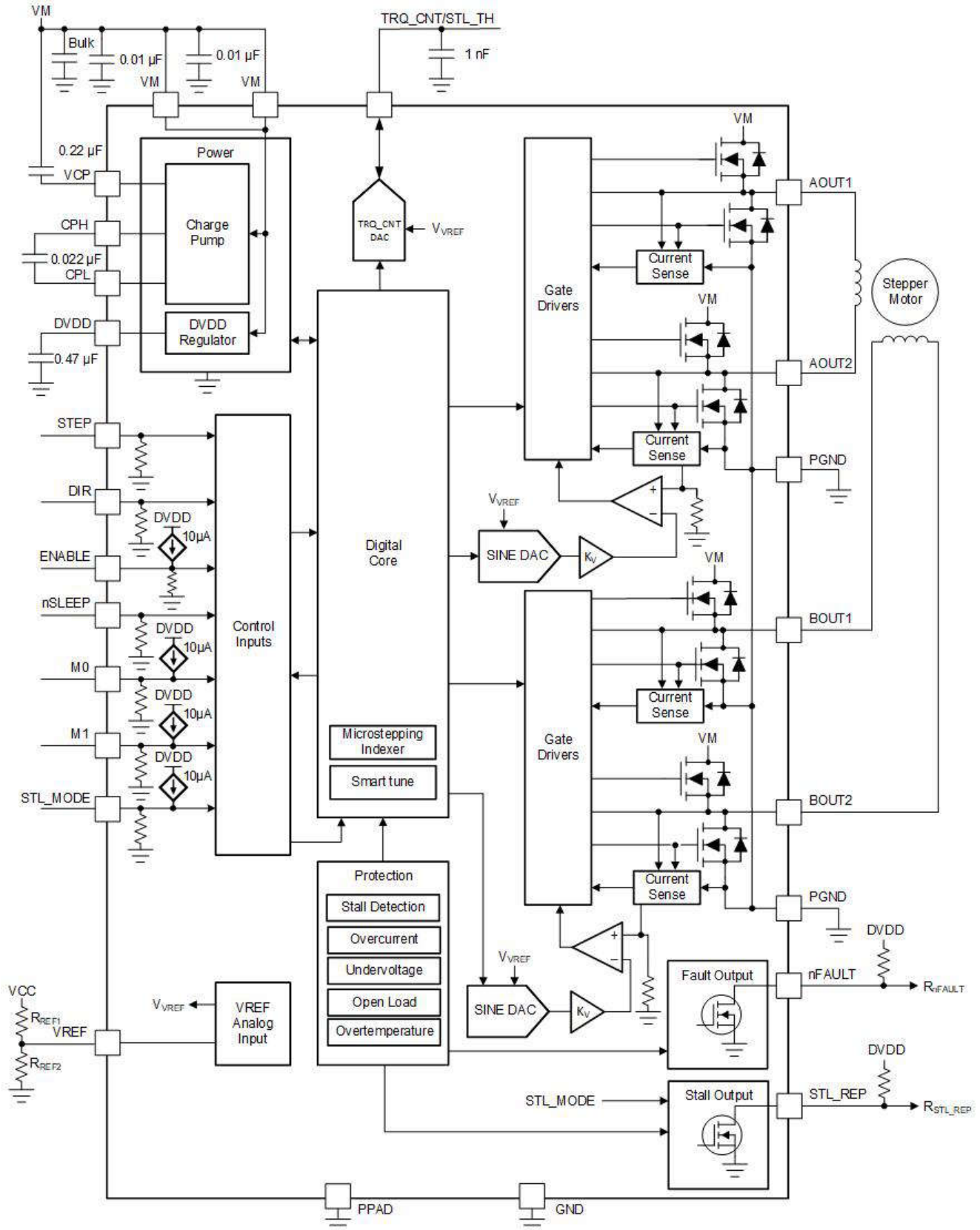
The device uses an integrated current-sense architecture which eliminates the need for two external power sense resistors, hence saving significant board space, BOM cost, design efforts and reduces significant power consumption. This architecture removes the power dissipated in the sense resistors by using a current mirror approach and using the internal power MOSFETs for current sensing. The current regulation set point is adjusted by the voltage at the VREF pin.

A simple STEP/DIR interface allows for an external controller to manage the direction and step rate of the stepper motor. The internal microstepping indexer can execute high-accuracy micro-stepping without requiring the external controller to manage the winding current level. The indexer is capable of full step, half step, and 1/4, 1/8, 1/16, 1/32, 1/64, 1/128, and 1/256 microstepping. High microstepping contributes to significant audible noise reduction and smooth motion. In addition to a standard half stepping mode, a noncircular half stepping mode is available for increased torque output at higher motor RPM.

The device operates with smart tune ripple control decay mode, which uses a variable off-time, ripple current control scheme to minimize distortion of the motor winding current. The device can detect a motor overload stall condition or an end-of-line travel, by detecting back-emf phase shift between rising and falling current quadrants of the motor current. Unlike conventional stall detection algorithms which require an SPI interface, it detects stall using two digital IO and one analog IO pins.

The device integrates a spread spectrum clocking feature for both the internal digital oscillator and internal charge pump. This feature minimizes the radiated emissions from the device. A low-power sleep mode is included which allows the system to save power when not actively driving the motor.

## 6.2 Functional Block Diagram



## 6.3 Feature Description

Table 6-1 lists the recommended external components for the device.

**Table 6-1. External Components**

| COMPONENT                    | PIN 1              | PIN 2   | RECOMMENDED   |
|------------------------------|--------------------|---------|---|
| C <sub>VM1</sub>             | VM                 | PGND    | Two X7R, 0.01- $\mu$ F, VM-rated ceramic capacitors   |
| C <sub>VM2</sub>             | VM                 | PGND    | Bulk, VM-rated capacitor  |
| C <sub>VCP</sub>             | VCP                | VM      | X7R, 0.22- $\mu$ F, 16-V ceramic capacitor  |
| C <sub>SW</sub>              | CPH                | CPL     | X7R, 0.022- $\mu$ F, VM-rated ceramic capacitor   |
| C <sub>DVDD</sub>            | DVDD               | GND     | X7R, 0.47- $\mu$ F to 1- $\mu$ F, 6.3-V ceramic capacitor   |
| R <sub>nFAULT</sub>          | VCC                | nFAULT  | >4.7-k $\Omega$ resistor  |
| C <sub>TRQ_CNT</sub>         | TRQ_CNT/<br>STL_TH | GND     | X7R, 1-nF, 6.3-V ceramic capacitor  |
| R <sub>STL_REP</sub>         | VCC                | STL_REP | >4.7-k $\Omega$ resistor  |
| R <sub>REF1</sub>            | VREF               | VCC     | Resistor to limit chopping current. It is recommended that the value of parallel combination of R <sub>REF1</sub> and R <sub>REF2</sub> should be less than 50-k $\Omega$ . |
| R <sub>REF2</sub> (Optional) | VREF               | GND     |   |

VCC is not a pin on the device, but a VCC supply voltage pullup is required for open-drain output nFAULT. nFAULT may also be pulled up to DVDD.

### 6.3.1 Stepper Motor Driver Current Ratings

Stepper motor drivers can be classified using three different numbers to describe the output current: peak, RMS, and full-scale.

#### 6.3.1.1 Peak Current Rating

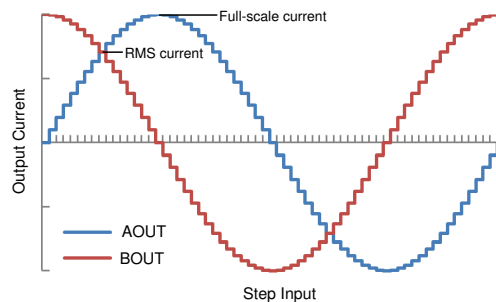
The peak current in a stepper driver is limited by the overcurrent protection trip threshold I<sub>OCP</sub>. The peak current describes any transient duration current pulse, for example when charging capacitance, when the overall duty cycle is very low. In general the minimum value of I<sub>OCP</sub> specifies the peak current rating of the stepper motor driver. For the DRV8434A-Q1, the peak current rating is 4 A per bridge.

#### 6.3.1.2 RMS Current Rating

The RMS (average) current is determined by the thermal considerations of the IC. The RMS current is calculated based on the R<sub>DS(ON)</sub>, rise and fall time, PWM frequency, device quiescent current, and package thermal performance in a typical system at 25°C. The actual operating RMS current may be higher or lower depending on heatsinking and ambient temperature. For the DRV8434A-Q1, the RMS current rating is 1.8 A per bridge.

#### 6.3.1.3 Full-Scale Current Rating

The full-scale current describes the top of the sinusoid current waveform while microstepping. Because the sinusoid amplitude is related to the RMS current, the full-scale current is also determined by the thermal considerations of the device. The full-scale current rating is approximately  $\sqrt{2} \times I_{RMS}$  for a sinusoidal current waveform, and I<sub>RMS</sub> for a square wave current waveform (full step).



**Figure 6-1. Full-Scale and RMS Current**

### 6.3.2 PWM Motor Drivers

The device has drivers for two full H-bridges to drive the two windings of a bipolar stepper motor. Figure 6-2 shows the block diagram of the circuitry.

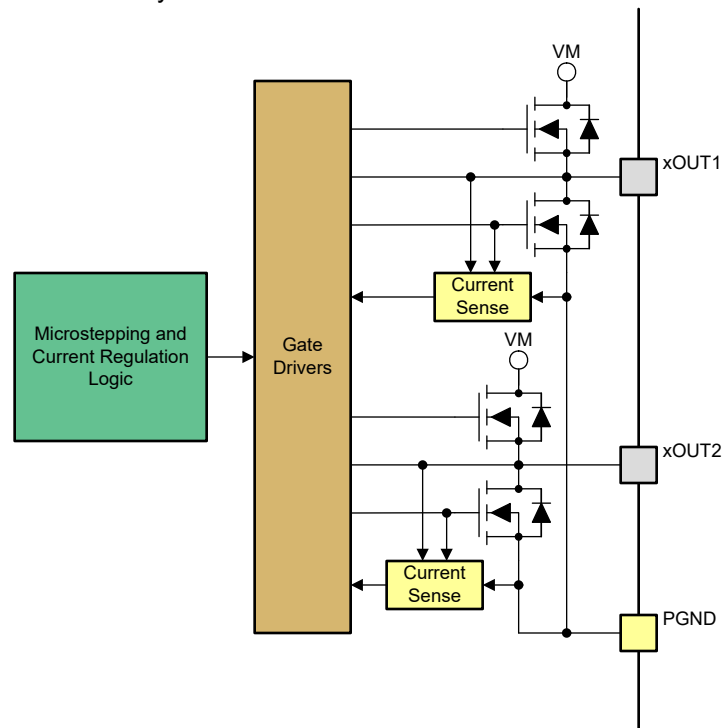


Figure 6-2. PWM Motor Driver Block Diagram

### 6.3.3 Microstepping Indexer

Built-in indexer logic in the device allows a number of different step modes. The M0 and M1 pins are used to configure the step mode as shown below. The settings can be changed on the fly.

Table 6-2. Microstepping Indexer Settings

| M0   | M1            | STEP MODE  |
|------|---------------|--|
| 0    | 0             | Full step (2-phase excitation) with 100% current |
| 0    | 330 kΩ to GND | Full step (2-phase excitation) with 71% current  |
| 1    | 0             | Non-circular 1/2 step                            |
| Hi-Z | 0             | 1/2 step   |
| 0    | 1             | 1/4 step   |
| 1    | 1             | 1/8 step   |
| Hi-Z | 1             | 1/16 step  |
| 0    | Hi-Z          | 1/32 step  |
| Hi-Z | 330kΩ to GND  | 1/64 step  |
| Hi-Z | Hi-Z          | 1/128 step                                       |
| 1    | Hi-Z          | 1/256 step                                       |

Table 6-3 shows the relative current and step directions for full-step (71% current), 1/2 step, 1/4 step and 1/8 step operation. Higher microstepping resolutions follow the same pattern. The AOUT current is the sine of the

electrical angle and the BOUT current is the cosine of the electrical angle. Positive current is defined as current flowing from the xOUT1 pin to the xOUT2 pin while driving.

At each rising edge of the STEP input the indexer advances to the next state in the table. The direction shown is with the DIR pin logic high. If the DIR pin is logic low, the sequence table is reversed.

**Note**

If the step mode is changed dynamically while stepping, the indexer advances to the next valid state for the new step mode setting at the rising edge of STEP.

The initial excitation state is an electrical angle of 45°, corresponding to 71% of full-scale current in both coils. This state is entered immediately after power-up, after exiting logic undervoltage lockout, or after exiting sleep mode.

**Table 6-3. Relative Current and Step Directions**

| 1/8 STEP | 1/4 STEP | 1/2 STEP | FULL STEP 71% | AOUT CURRENT (% FULL-SCALE) | BOUT CURRENT (% FULL-SCALE) | ELECTRICAL ANGLE (DEGREES) |
|----------|----------|----------|---------------|-----------------------------|-----------------------------|----------------------------|
| 1        | 1        | 1        |               | 0%                          | 100%                        | 0.00                       |
| 2        |          |          |               | 20%                         | 98%                         | 11.25                      |
| 3        | 2        |          |               | 38%                         | 92%                         | 22.50                      |
| 4        |          |          |               | 56%                         | 83%                         | 33.75                      |
| 5        | 3        | 2        | 1             | 71%                         | 71%                         | 45.00                      |
| 6        |          |          |               | 83%                         | 56%                         | 56.25                      |
| 7        | 4        |          |               | 92%                         | 38%                         | 67.50                      |
| 8        |          |          |               | 98%                         | 20%                         | 78.75                      |
| 9        | 5        | 3        |               | 100%                        | 0%                          | 90.00                      |
| 10       |          |          |               | 98%                         | -20%                        | 101.25                     |
| 11       | 6        |          |               | 92%                         | -38%                        | 112.50                     |
| 12       |          |          |               | 83%                         | -56%                        | 123.75                     |
| 13       | 7        | 4        | 2             | 71%                         | -71%                        | 135.00                     |
| 14       |          |          |               | 56%                         | -83%                        | 146.25                     |
| 15       | 8        |          |               | 38%                         | -92%                        | 157.50                     |
| 16       |          |          |               | 20%                         | -98%                        | 168.75                     |
| 17       | 9        | 5        |               | 0%                          | -100%                       | 180.00                     |
| 18       |          |          |               | -20%                        | -98%                        | 191.25                     |
| 19       | 10       |          |               | -38%                        | -92%                        | 202.50                     |
| 20       |          |          |               | -56%                        | -83%                        | 213.75                     |
| 21       | 11       | 6        | 3             | -71%                        | -71%                        | 225.00                     |
| 22       |          |          |               | -83%                        | -56%                        | 236.25                     |
| 23       | 12       |          |               | -92%                        | -38%                        | 247.50                     |
| 24       |          |          |               | -98%                        | -20%                        | 258.75                     |
| 25       | 13       | 7        |               | -100%                       | 0%                          | 270.00                     |
| 26       |          |          |               | -98%                        | 20%                         | 281.25                     |
| 27       | 14       |          |               | -92%                        | 38%                         | 292.50                     |
| 28       |          |          |               | -83%                        | 56%                         | 303.75                     |
| 29       | 15       | 8        | 4             | -71%                        | 71%                         | 315.00                     |
| 30       |          |          |               | -56%                        | 83%                         | 326.25                     |
| 31       | 16       |          |               | -38%                        | 92%                         | 337.50                     |
| 32       |          |          |               | -20%                        | 98%                         | 348.75                     |

Table 6-4 shows the full step operation with 100% full-scale current. This stepping mode consumes more power than full-step mode with 71% current, but provides a higher torque at high motor RPM.

**Table 6-4. Full Step with 100% Current**

| FULL STEP 100% | AOUT CURRENT (% FULL-SCALE) | BOUT CURRENT (% FULL-SCALE) | ELECTRICAL ANGLE (DEGREES) |
|----------------|-----------------------------|-----------------------------|----------------------------|
| 1              | 100                         | 100                         | 45                         |
| 2              | 100                         | -100                        | 135                        |
| 3              | -100                        | -100                        | 225                        |
| 4              | -100                        | 100                         | 315                        |

Table 6-5 shows the noncircular 1/2-step operation. This stepping mode consumes more power than circular 1/2-step operation, but provides a higher torque at high motor RPM.

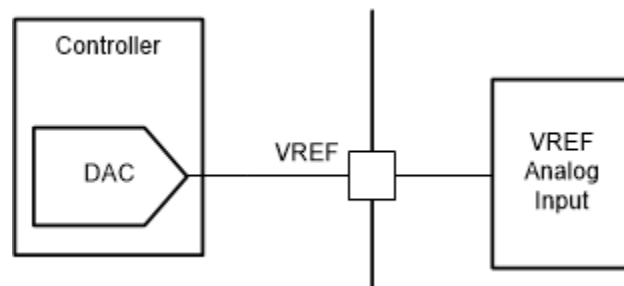
**Table 6-5. Non-Circular 1/2-Stepping Current**

| NON-CIRCULAR 1/2-STEP | AOUT CURRENT (% FULL-SCALE) | BOUT CURRENT (% FULL-SCALE) | ELECTRICAL ANGLE (DEGREES) |
|-----------------------|-----------------------------|-----------------------------|----------------------------|
| 1                     | 0                           | 100                         | 0                          |
| 2                     | 100                         | 100                         | 45                         |
| 3                     | 100                         | 0                           | 90                         |
| 4                     | 100                         | -100                        | 135                        |
| 5                     | 0                           | -100                        | 180                        |
| 6                     | -100                        | -100                        | 225                        |
| 7                     | -100                        | 0                           | 270                        |
| 8                     | -100                        | 100                         | 315                        |

### 6.3.4 Controlling VREF with an MCU DAC

In some cases, the full-scale output current may need to be changed between many different values, depending on motor speed and loading. The voltage of the VREF pin can be adjusted in the system to change the full-scale current.

In this mode of operation, as the DAC voltage increases, the full-scale regulation current increases as well. For proper operation, the output of the DAC must not exceed 3.3 V.



**Figure 6-3. Controlling VREF with a DAC Resource**

The VREF pin can also be adjusted using a PWM signal and low-pass filter.



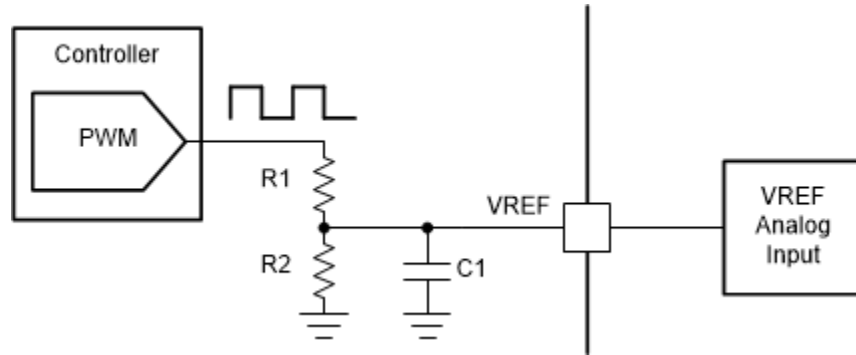


Figure 6-4. Controlling VREF With a PWM Resource

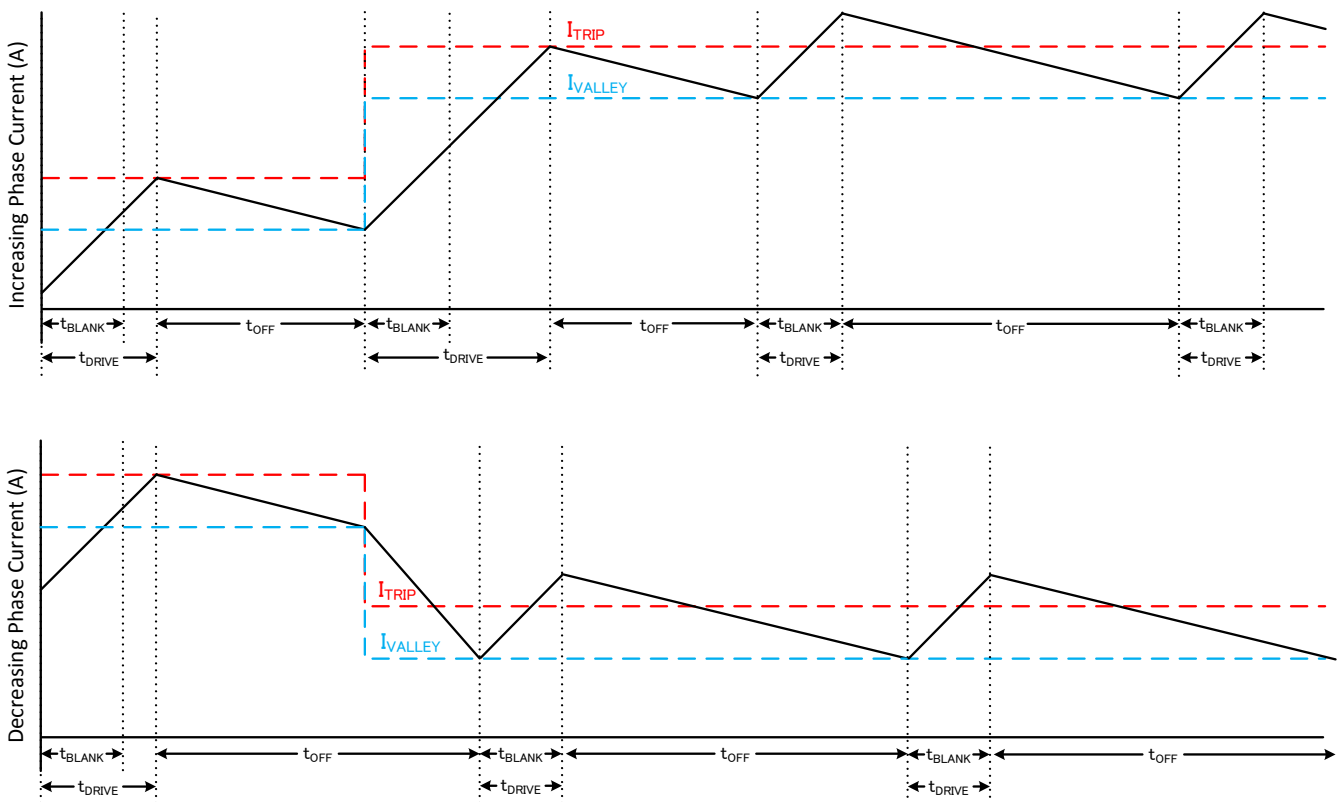
### 6.3.5 Current Regulation and Decay Mode

The DRV8434A-Q1 operates with smart tune ripple control decay mode, which uses only slow decay during PWM current regulation. The PWM regulation current is set by a comparator which monitors the voltage across the current sense MOSFETs in parallel with the low-side power MOSFETs. The current sense MOSFETs are biased with a reference current that is the output of a current-mode sine-weighted DAC whose full-scale reference current is set by the voltage at the VREF pin.

The full-scale regulation current ( $I_{FS}$ ) can be calculated as  $I_{FS} (A) = V_{REF} (V) / K_V (V/A) = V_{REF} (V) / 1.32 (V/A)$ .

During PWM current chopping, the H-bridge is enabled to drive a current through the motor winding until the PWM current chopping threshold is reached. Thereafter, the winding current is re-circulated by enabling both low-side MOSFETs of the H-bridge.

#### 6.3.5.1 Smart tune Ripple Control



**Figure 6-5. Smart tune Ripple Control Decay Mode**

Smart tune Ripple Control operates by setting an  $I_{VALLEY}$  level alongside the  $I_{TRIP}$  level. When the current level reaches  $I_{TRIP}$ , the driver enters slow decay until  $I_{VALLEY}$  is reached. In slow decay, both low-side MOSFETs are turned on allowing the current to recirculate. In this mode, off-time varies depending on the current level and operating conditions.

The ripple control method allows tight regulation of the current level increasing motor efficiency and system performance.

#### 6.3.5.2 Blanking time

After the current is enabled (start of drive phase) in an H-bridge, the current sense comparator is ignored for a period of time ( $t_{BLANK}$ ) before enabling the current-sense circuitry. The blanking time also sets the minimum drive time of the PWM. The blanking time is approximately 1  $\mu s$ .

### 6.3.6 Charge Pump

A charge pump is integrated to supply the high-side N-channel MOSFET gate-drive voltage. The charge pump requires a capacitor between the VM and VCP pins to act as the storage capacitor. Additionally a ceramic capacitor is required between the CPH and CPL pins to act as the flying capacitor.

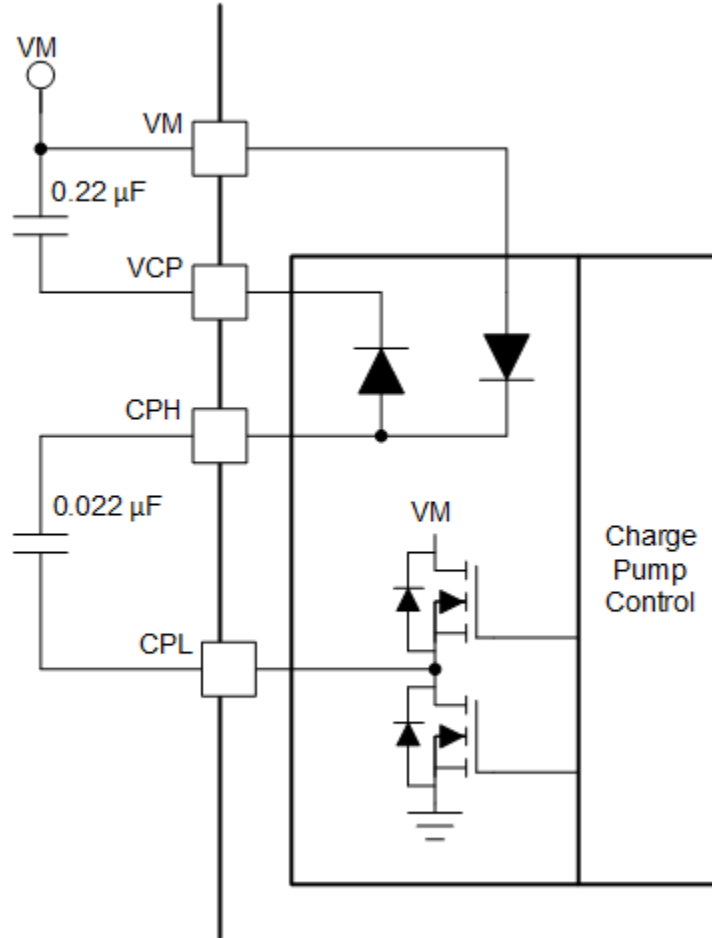
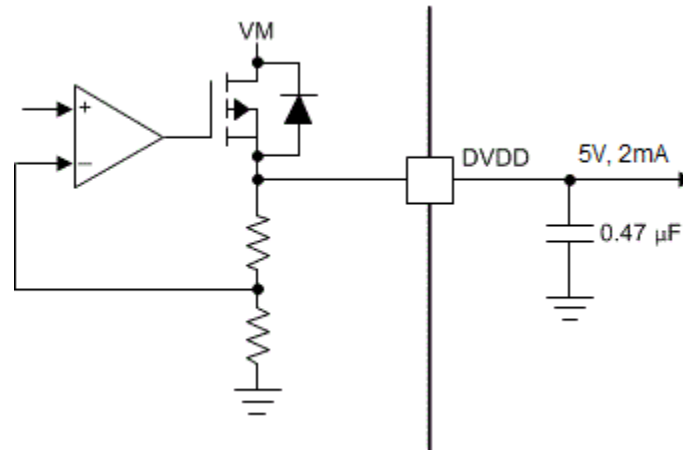


Figure 6-6. Charge Pump Block Diagram

### 6.3.7 Linear Voltage Regulators

A linear voltage regulator is integrated in the device for DVDD. The DVDD regulator can be used to provide VREF reference voltage. DVDD can supply a maximum of 2mA load. For proper operation, bypass the DVDD pin to GND using a ceramic capacitor.

The DVDD output is nominally 5 V. When the DVDD LDO current load exceeds 2mA, the output voltage drops significantly.



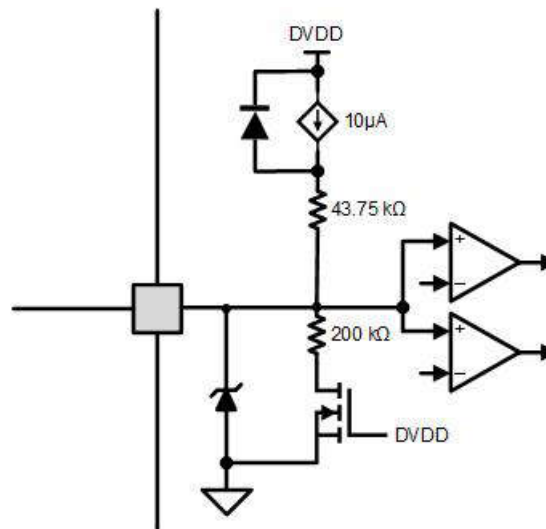
**Figure 6-7. Linear Voltage Regulator Block Diagram**

If a digital input must be tied permanently high (that is, M0, M1 or STL\_MODE), tying the input to the DVDD pin instead of an external regulator is suggested. This method saves power when the VM power is not applied or the device is in sleep mode. The DVDD regulator is disabled and current does not flow through the input pulldown resistors. For reference, logic level inputs have a typical pulldown of 200 kΩ.

The nSLEEP pin must not be tied to DVDD, else the device will never exit sleep mode.

### 6.3.8 Logic Level, Tri-Level and Quad-Level Pin Diagrams

Figure 6-8 shows the input structure for M0, STL\_MODE and ENABLE pins.



**Figure 6-8. Tri-Level Input Pin Diagram**

Figure 6-9 shows the input structure for M1 pin.

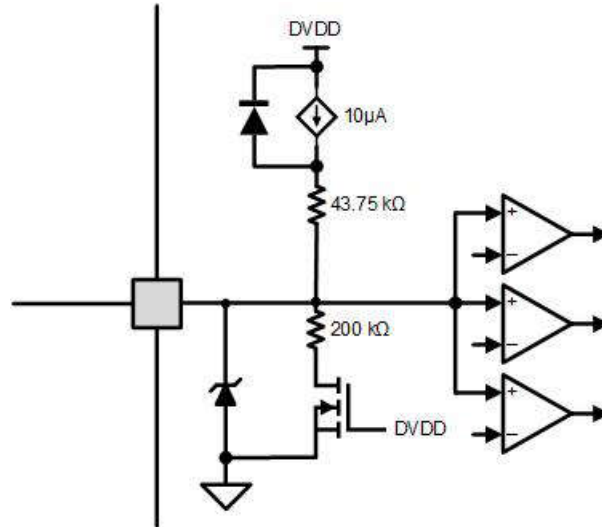


Figure 6-9. Quad-Level Input Pin Diagram

Figure 6-10 shows the input structure for STEP, DIR and nSLEEP pins.

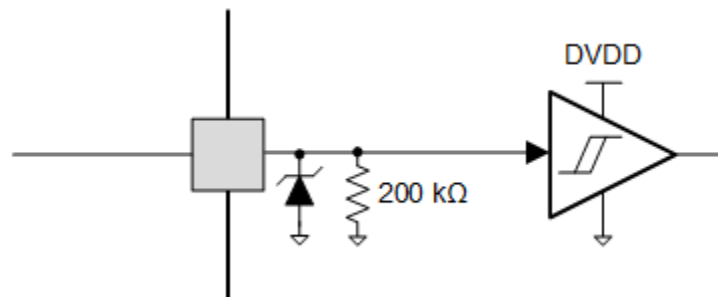


Figure 6-10. Logic-Level Input Pin Diagram

### 6.3.8.1 nFAULT and STL\_REP Pin

The nFAULT pin has an open-drain output and should be pulled up to a 5 V, 3.3 V or 1.8 V supply. When a fault is detected, the nFAULT pin will be logic low. nFAULT pin will be high after power-up. For a 5 V pullup, the nFAULT pin can be tied to the DVDD pin with a resistor. For a 3.3 V or 1.8 V pullup, an external supply must be used.

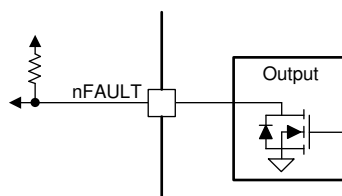


Figure 6-11. nFAULT Pin

The STL\_REP pin has open-drain output and must be pulled up to a 5 V, 3.3 V or 1.8 V supply. When a stall fault is detected, the STL\_REP pin will be logic high. After a successful stall threshold learning, STL\_REP pin is pulled low. The STL\_REP pin can also be used as an input. When pulled low externally, stall fault reporting is disabled. For a 5 V pullup, the STL\_REP pin can be tied to the DVDD pin with a resistor. For a 3.3 V or 1.8 V pullup, an external supply must be used.

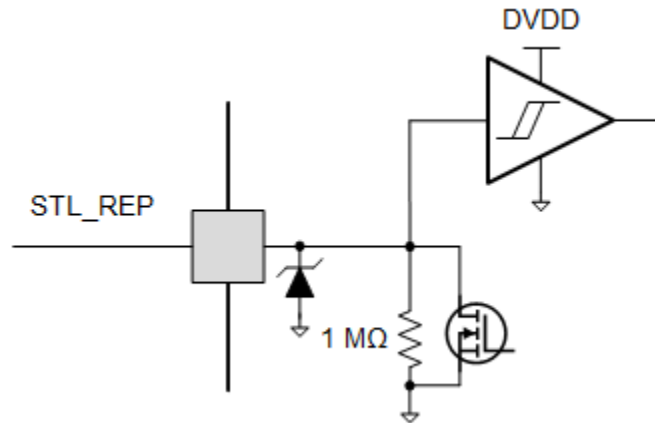


Figure 6-12. STL\_REP pin

### 6.3.9 Protection Circuits

The device is fully protected against supply undervoltage, charge pump undervoltage, output overcurrent, open load, and device overtemperature events. In addition, the device is protected against stall detection in the event of overload or end-of-line movement.

#### 6.3.9.1 VM Undervoltage Lockout (UVLO)

If at any time the voltage on the VM pin falls below the UVLO-threshold voltage for the voltage supply, all the outputs are disabled, and the nFAULT pin is driven low. The charge pump is disabled in this condition. Normal operation resumes (motor-driver operation and nFAULT released) when the VM undervoltage condition is removed.

#### 6.3.9.2 VCP Undervoltage Lockout (CPUV)

If at any time the voltage on the VCP pin falls below the CPUV voltage, all the outputs are disabled, and the nFAULT pin is driven low. The charge pump remains active during this condition. Normal operation resumes (motor-driver operation and nFAULT released) when the VCP undervoltage condition is removed.

#### 6.3.9.3 Overcurrent Protection (OCP)

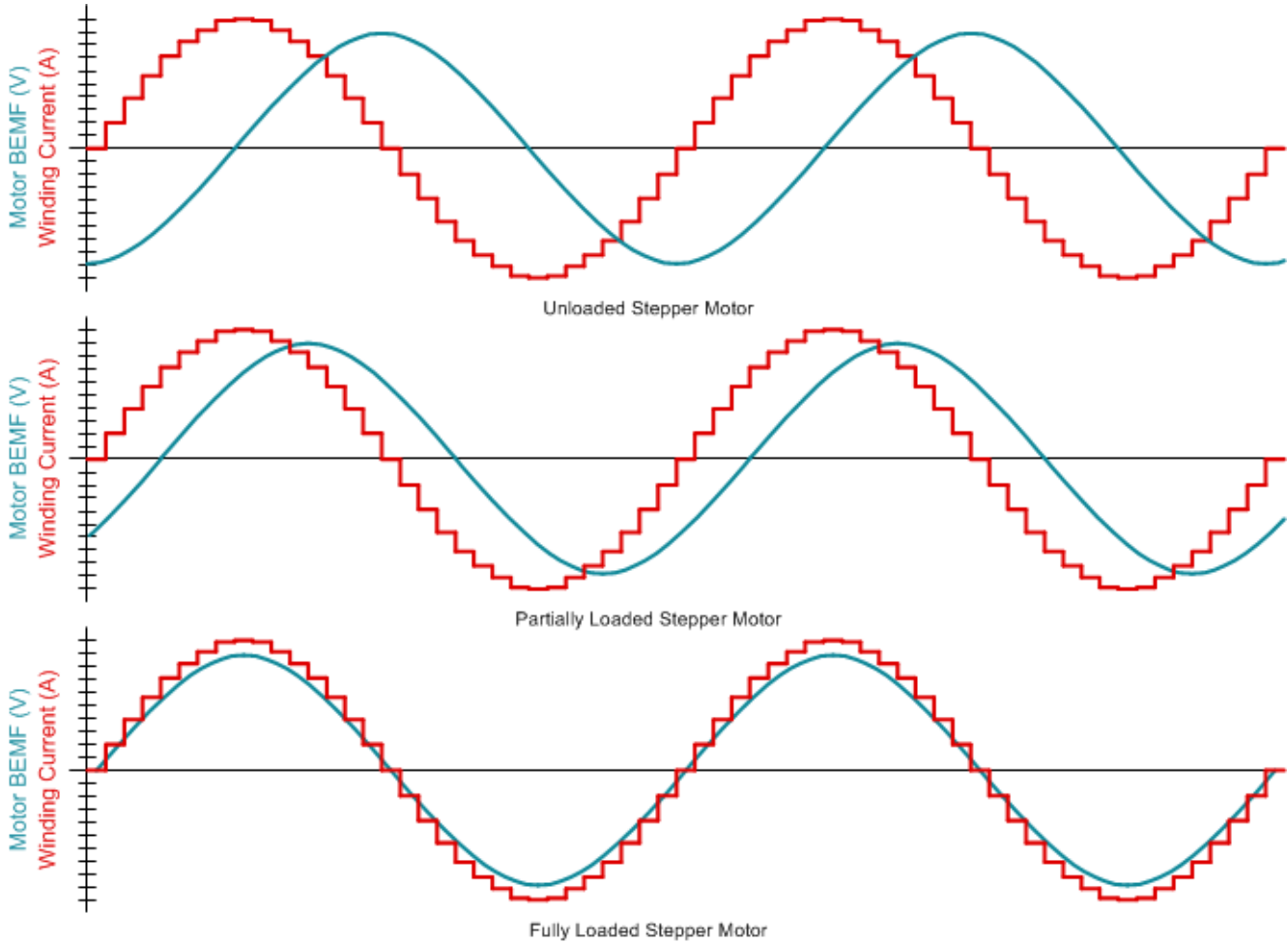
An analog current-limit circuit on each MOSFET limits the current through the MOSFET by removing the gate drive. If this current limit persists for longer than the  $t_{OCP}$  time, the MOSFETs in both H-bridges are disabled and the nFAULT pin is driven low. The charge pump remains active during this condition. Normal operation resumes automatically (motor-driver operation and nFAULT released) after the  $t_{RETRY}$  time has elapsed and the fault condition is removed.

#### 6.3.9.4 Stall Detection

Stepper motors have a distinct relation between the winding current, back-EMF, and mechanical torque load of the motor, as shown in [Figure 6-13](#). As motor load approaches the torque capability of the motor for a given winding current, the back-EMF will move in phase with the winding current.

By detecting back-emf phase shift between rising and falling current quadrants of the motor current, the DRV8434A-Q1 can detect a motor overload stall condition or an end-of-line travel. Without Stall Detection, driver will continue to drive through the obstacle, causing heating, audible noise and damage to the system.

Stall detection can replace expensive Hall sensors. Integrated sensorless stall detection results in immediate response in the event of motor stall, compared to timeout mechanism of Hall sensors.



**Figure 6-13. Stall Detection by Monitoring Motor Back-EMF**

The stall detection algorithm compares the back-EMF between the rising and falling current quadrants by monitoring PWM off time and generates a value represented by the torque count. The comparison is done in such a way that the torque count is practically independent of motor current, ambient temperature and supply voltage.

For a lightly loaded motor, the torque count will be a non-zero value. As the motor approaches stall condition, torque count will approach zero and can be used to detect stall condition. If anytime torque count falls below the stall threshold, the device will detect a stall. In stalled condition, the motor shaft does not spin. The motor starts to spin again when the stall condition is removed.

High motor coil resistance can result in low torque count. The ENABLE pin of the DRV8434A-Q1 allows scaling up low torque count values, for ease of further processing. If the ENABLE pin is Hi-Z, the torque count and stall threshold are multiplied by a factor of 8. If the ENABLE pin is logic high, torque count and stall threshold retain the value originally calculated by the algorithm.

The stall detection algorithm of the DRV8434A-Q1 is configured by two digital IO and one analog IO pins - STL\_MODE, STL\_REP and TRQ\_CNT/STL\_TH.

STL\_MODE programs the stall detection mode. When this pin is logic low, stall threshold is computed by the driver or an external microcontroller (MCU). The TRQ\_CNT/STL\_TH pin outputs as torque count analog voltage. If the STL\_MODE pin is open (Hi-Z), it enables the stall threshold learning process. If learning is successful, the TRQ\_CNT/STL\_TH pin outputs the stall threshold as an analog voltage. When the STL\_MODE is logic high (tied to DVDD), stall threshold is set by applying a voltage on the TRQ\_CNT/STL\_TH pin. TRQ\_CNT/STL\_TH pin

can act as both input or output, depending on the operating mode. An 1 nF capacitor must be connected from the TRQ\_CNT/STL\_TH pin to GND. Connecting a 330k resistor from STL\_MODE pin to ground disables stall detection. Additionally, if any fault condition exists (UVLO, OCP, OL, OTSD etc.), stall detection will be disabled.

STL\_REP is an open-drain output. When STL\_MODE = GND or DVDD, STL\_REP is pulled low by the driver if there is no stall fault; and goes high if stall is detected. If STL\_MODE = GND or DVDD and the STL\_REP pin is pulled low externally, then stall fault reporting is disabled and nFAULT will not go low if a stall is detected. In stall threshold learning mode (STL\_MODE = Hi-Z), if STL\_REP goes from high to low, it indicates successful stall threshold learning. STL\_REP must be pulled up with an external pull-up resistor.

The following procedure describes the stall threshold learning operation:

- Before stall threshold learning, ensure that the motor speed has reached its target value. Do not learn stall threshold while the motor speed is ramping up or down.
- Initiate learning by making the STL\_MODE pin Hi-Z.
- Run motor with no load.
- Wait for 32 electrical cycles for the driver to learn the steady count.
- Stall the motor.
- Wait for 16 electrical cycles for the driver to learn the stall count.
- STL\_REP will be pulled low if learning is successful.
- Stall threshold is calculated as the average of steady count and stall count.
- At the end of a successful learning, TRQ\_CNT/STL\_TH pin outputs the stall threshold as an analog voltage, and also stores the value internally for use with Torque Count Mode.
- After successful learning, once device enters Torque Count mode or Stall Threshold mode by changing STL\_MODE logic level, STL\_REP goes high, nFAULT is pulled down and the voltage on the TRQ\_CNT/STL\_TH pin is reset.
- Apply nSLEEP reset pulse to pull down STL\_REP and pull up nFAULT again.

Sometimes the stall learning process might not be successful due to an unstable torque count while the motor is running or stalled. For example, when the motor has high coil resistance or is running at very high or low speeds, the torque count might vary a lot over time and the difference between steady count and stall count might be small. In such cases, it is recommended not to use the stall learning method. Instead, the user should carefully study the steady count and torque count across the range of operating conditions and set the threshold midway between the minimum steady count and the maximum stall count.

When the motor is initially ramping up speed, it is recommended to configure the driver in either Torque Count Mode or Stall Threshold Mode. If the device is in Learning Mode during the initial ramp up, the learning process might result in a lower stall threshold value. Once steady state speed has been achieved, learning process can be initiated.

Table 6-6 shows all the different operating modes in which stall can be detected.

**Table 6-6. Stall Detection Operating Modes**

| Operating Mode    | STL_MODE | TRQ_CNT/<br>STL_TH             | STL_REP   | nFAULT  | Description   |
|-------------------|----------|--------------------------------|---|---|---|
| Torque Count Mode | GND      | Torque count voltage as output | Output:High:<br>Stall Fault<br>Input:Low:<br>Stall Reporting Disabled | If STL_REP > 1.6V, nFAULT goes low when stall is detected | This Mode supports two types of operations:<br>1. Standalone Stall Detection Mode: Driver takes care of stall detection and reporting (this needs to be preceded by Learning Mode).<br>2. MCU assisted Stall Detection Mode: MCU takes TRQ_CNT/STL_TH voltage as input, compensates it for any second order effects, and compares it with its own stall threshold value to detect a stall. Because this operating mode is external, the device stall reporting must be disabled. The MCU could also run an algorithm to control VREF based on the torque count. |



**Table 6-6. Stall Detection Operating Modes (continued)**

| Operating Mode           | STL_MODE    | TRQ_CNT/<br>STL_TH                | STL_REP   | nFAULT  | Description  |
|--------------------------|-------------|-----------------------------------|---|---|--|
| Learning Mode            | Hi-Z        | Stall threshold voltage as output | Output:High: Learning Not done<br>Low: learning Successful      | Not Applicable  | 1. Torque count learning result is available via the TRQ_CNT/STL_TH pin.<br>2. In this mode, the motor must spin with no load for at least 32 electrical cycles, then stalled for at least 16 electrical cycles for the stall detection algorithm to determine the internal stall threshold.                                       |
| Stall Threshold Mode     | DVDD        | Stall threshold voltage as input  | Output:High: Stall Fault<br>Input:Low: Stall Reporting Disabled | If STL_REP > 1.6V, nFAULT goes low when stall is detected | Torque count is noted from Torque Count Mode or Learning Mode and a desired stall threshold voltage is applied to the TRQ_CNT/STL_TH pin. The stall threshold voltage must be less than the torque count noted from the Torque Count Mode. Stall Threshold Mode must be selected while the motor is spinning in Torque Count Mode. |
| Stall Detection Disabled | 330k to GND |                                   | Output: Low   |   | Motor stall will be ignored until STL_MODE = 0 or 1.   |

Figure 6-14 shows the flowchart of stall detection by the DRV8434A-Q1 driver.

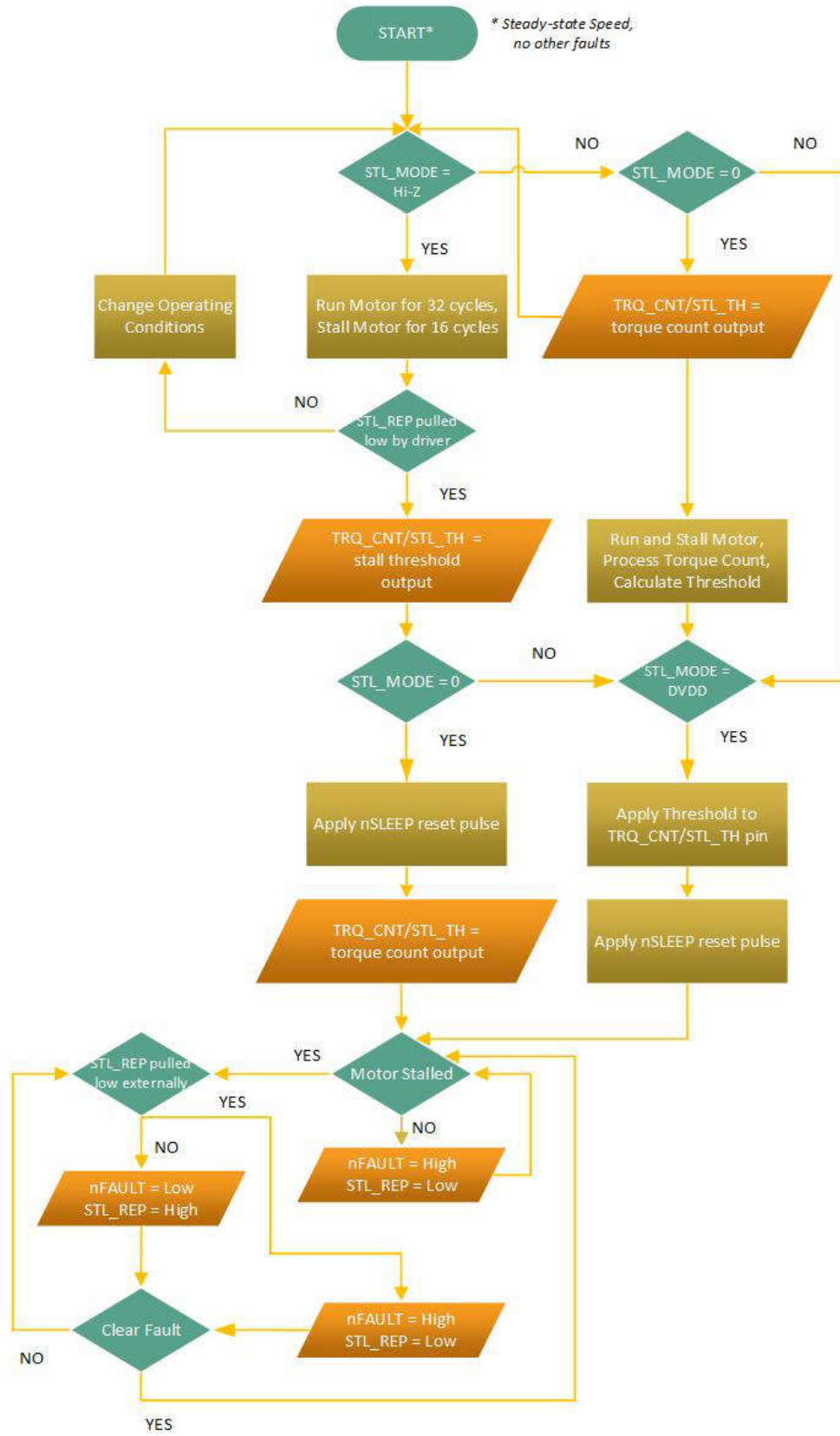


Figure 6-14. Flowchart of Stall Detection by DRV8434A-Q1

### 6.3.9.5 Open-Load Detection (OL)

If the winding current in any coil drops below the open load current threshold ( $I_{OL}$ ) and the  $I_{TRIP}$  level set by the indexer, and if this condition persists for more than the open load detection time ( $t_{OL}$ ), an open-load condition is detected. Normal operation resumes when the open load condition is removed. The fault is cleared by an nSLEEP reset pulse or if the device is power cycled or comes out of sleep mode.

### 6.3.9.6 Thermal Shutdown (OTSD)

If the die temperature exceeds the thermal shutdown limit ( $T_{OTSD}$ ) all MOSFETs in the H-bridge are disabled, and the nFAULT pin is driven low. The charge pump is disabled during this condition. Normal operation resumes (motor-driver operation and the nFAULT line released) when the junction temperature falls below the overtemperature threshold limit minus the hysteresis ( $T_{OTSD} - T_{HYS\_OTSD}$ ).

### Fault Condition Summary

**Table 6-7. Fault Condition Summary**

| FAULT                   | CONDITION           | CONFIGURATION | ERROR REPORT    | H-BRIDGE  | CHARGE PUMP | INDEXER   | LOGIC                               | RECOVERY                                    |
|-------------------------|---------------------|---------------|-----------------|-----------|-------------|-----------|-------------------------------------|---|
| VM undervoltage (UVLO)  | $VM < V_{UVLO}$     | —             | nFAULT          | Disabled  | Disabled    | Disabled  | Reset ( $V_{DVDD} < 3.9\text{ V}$ ) | Automatic: $VM > V_{UVLO}$                  |
| VCP undervoltage (CPUV) | $VCP < V_{CPUV}$    | —             | nFAULT          | Disabled  | Operating   | Operating | Operating                           | Automatic: $VCP > V_{CPUV}$                 |
| Overcurrent (OCP)       | $I_{OUT} > I_{OCP}$ | —             | nFAULT          | Disabled  | Operating   | Operating | Operating                           | Automatic retry: $t_{RETRY}$                |
| Open Load (OL)          | No load detected    | —             | nFAULT          | Operating | Operating   | Operating | Operating                           | Report only                                 |
| Stall Detection (STALL) | Stall / stuck motor | —             | STL_REP, nFAULT | Operating | Operating   | Operating | Operating                           | Report Only                                 |
| Thermal Shutdown (OTSD) | $T_J > T_{TSD}$     | —             | nFAULT          | Disabled  | Disabled    | Operating | Operating                           | Automatic: $T_J < T_{OTSD} - T_{HYS\_OTSD}$ |

## 6.4 Device Functional Modes

### 6.4.1 Sleep Mode ( $nSLEEP = 0$ )

The device state is managed by the nSLEEP pin. When the nSLEEP pin is low, the device enters a low-power sleep mode. In the sleep mode, all the internal MOSFETs are disabled and the charge pump is disabled. The  $t_{SLEEP}$  time must elapse after a falling edge on the nSLEEP pin before the device enters sleep mode. The device is brought out of sleep automatically when the nSLEEP pin is high. The  $t_{WAKE}$  time must elapse before the device is ready for inputs.

### 6.4.2 Disable Mode ( $nSLEEP = 1$ , $ENABLE = 0$ )

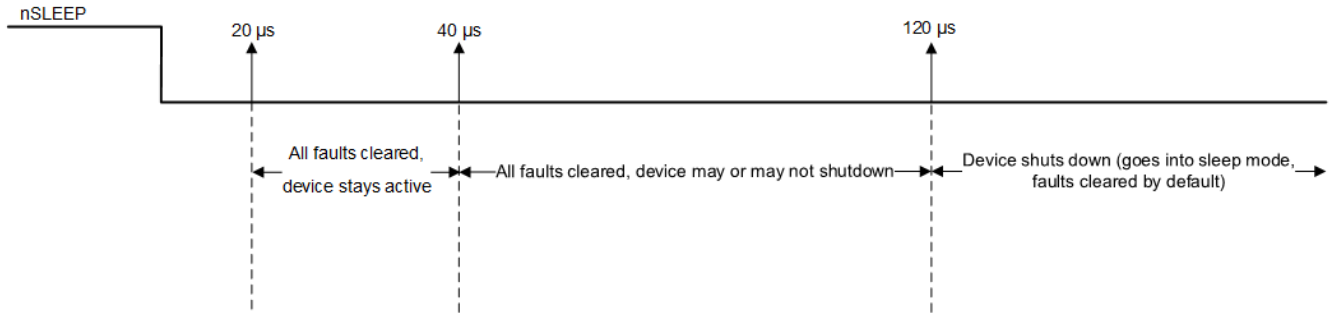
The ENABLE pin is used to enable or disable the device. When the ENABLE pin is low, the output drivers are disabled and the output pins are in the Hi-Z state.

### 6.4.3 Operating Mode ( $nSLEEP = 1$ , $ENABLE = Hi-Z/1$ )

When the nSLEEP pin is high, the ENABLE pin is Hi-Z or 1, and  $VM > UVLO$ , the device enters the active mode. The  $t_{WAKE}$  time must elapse before the device is ready for inputs.

### 6.4.4 nSLEEP Reset Pulse

A latched fault can be cleared by an nSLEEP reset pulse. This pulse width must be greater than 20  $\mu\text{s}$  and smaller than 40  $\mu\text{s}$ . If nSLEEP is low for longer than 40  $\mu\text{s}$ , but less than 120  $\mu\text{s}$ , the faults are cleared and the device may or may not shutdown, as shown in the timing diagram (see [Figure 6-15](#)). This reset pulse does not affect the status of the charge pump or other functional blocks.



**Figure 6-15. nSLEEP Reset Pulse**

### Functional Modes Summary

Table 6-8 lists a summary of the functional modes.

**Table 6-8. Functional Modes Summary**

| CONDITION  |                   | CONFIGURATION                            | H-BRIDGE  | DVDD Regulator | CHARGE PUMP | INDEXER   | Logic     |
|------------|-------------------|--|-----------|----------------|-------------|-----------|-----------|
| Sleep mode | 4.5 V < VM < 48 V | nSLEEP pin = 0                           | Disabled  | Disbaled       | Disabled    | Disabled  | Disabled  |
| Operating  | 4.5 V < VM < 48 V | nSLEEP pin = 1<br>ENABLE pin = 1 or Hi-Z | Operating | Operating      | Operating   | Operating | Operating |
| Disabled   | 4.5 V < VM < 48 V | nSLEEP pin = 1<br>ENABLE pin = 0         | Disabled  | Operating      | Operating   | Operating | Operating |

## 7 Application and Implementation

### Note

Information in the following applications sections is not part of the TI component specification, and TI does not warrant its accuracy or completeness. TI's customers are responsible for determining suitability of components for their purposes. Customers should validate and test their design implementation to confirm system functionality.

### 7.1 Application Information

The device is used in bipolar stepper control.

### 7.2 Typical Application

The following design procedure can be used to configure the DRV8434A-Q1.

Figure 7-1. Typical Application Schematic (VQFN package)

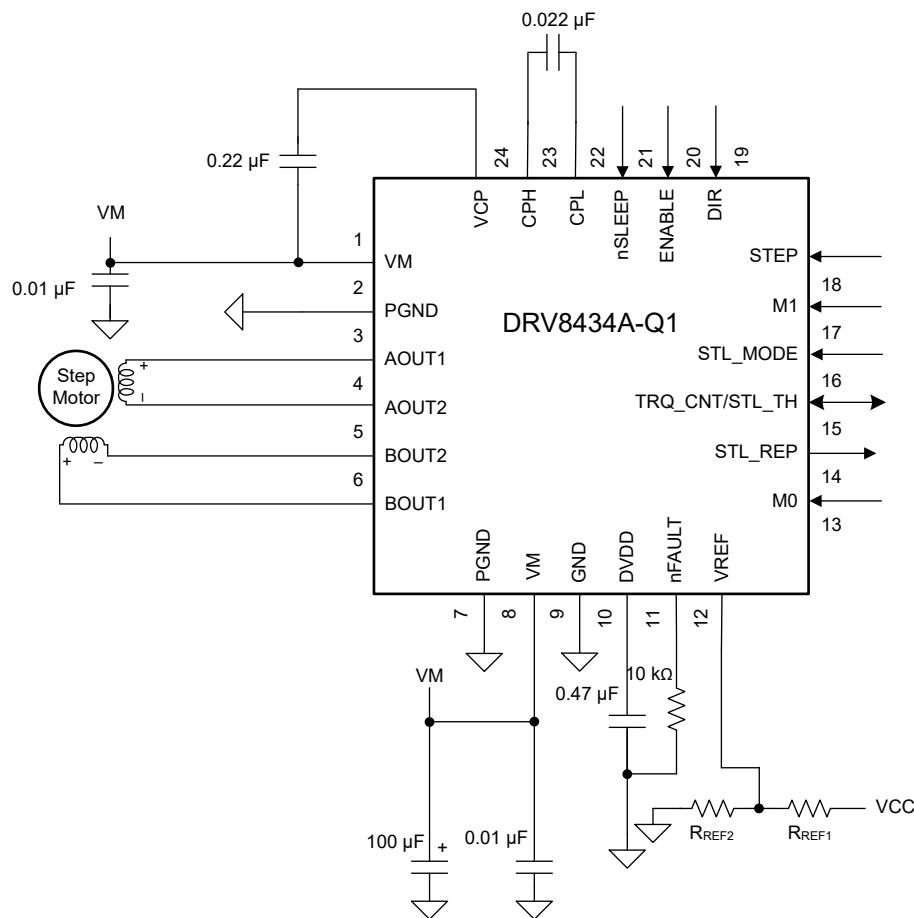


Figure 7-2. Typical Application Schematic

#### 7.2.1 Design Requirements

Table 7-1 lists the design input parameters for system design.

Table 7-1. Design Parameters

| DESIGN PARAMETER | REFERENCE | EXAMPLE VALUE |
|------------------|-----------|---------------|
| Supply voltage   | VM        | 24 V          |

**Table 7-1. Design Parameters (continued)**

| DESIGN PARAMETER           | REFERENCE       | EXAMPLE VALUE       |
|----------------------------|-----------------|---------------------|
| Motor winding resistance   | $R_L$           | 0.9 $\Omega$ /phase |
| Motor winding inductance   | $L_L$           | 1.4 mH/phase        |
| Motor full step angle      | $\theta_{step}$ | 1.8°/step           |
| Target microstepping level | $n_m$           | 1/8 step            |
| Target motor speed         | $v$             | 18.75 rpm           |
| Target full-scale current  | $I_{FS}$        | 2 A                 |

## 7.2.2 Detailed Design Procedure

### 7.2.2.1 Stepper Motor Speed

The first step in configuring the device requires the desired motor speed and microstepping level. If the target application requires a constant speed, then a square wave with frequency  $f_{step}$  must be applied to the STEP pin. If the target motor speed is too high, the motor does not spin. Make sure that the motor can support the target speed. Use Equation 1 to calculate  $f_{step}$  for a desired motor speed ( $v$ ), microstepping level ( $n_m$ ), and motor full step angle ( $\theta_{step}$ )

$$f_{step} \text{ (steps / s)} = \frac{v \text{ (rpm)} \times 360 \text{ (}^\circ \text{ / rot)}}{\theta_{step} \text{ (}^\circ \text{ / step)} \times n_m \text{ (steps / microstep)} \times 60 \text{ (s / min)}} \quad (1)$$

The value of  $\theta_{step}$  can be found in the stepper motor data sheet, or written on the motor. For example, the motor in this application is required to rotate at 1.8°/step for a target of 18.75 rpm at 1/8 microstep mode. Using Equation 1,  $f_{step}$  can be calculated as 500 Hz.

The microstepping level is set by the M0 and M1 pins and can be any of the settings listed in Table 6-2. Higher microstepping results in a smoother motor motion and less audible noise, but requires a higher  $f_{step}$  to achieve the same motor speed.

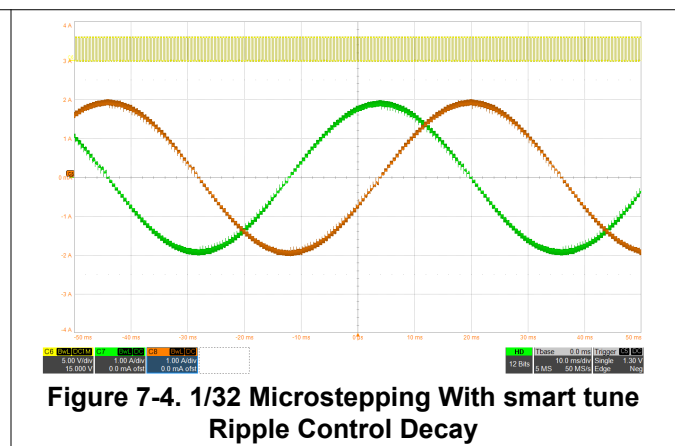
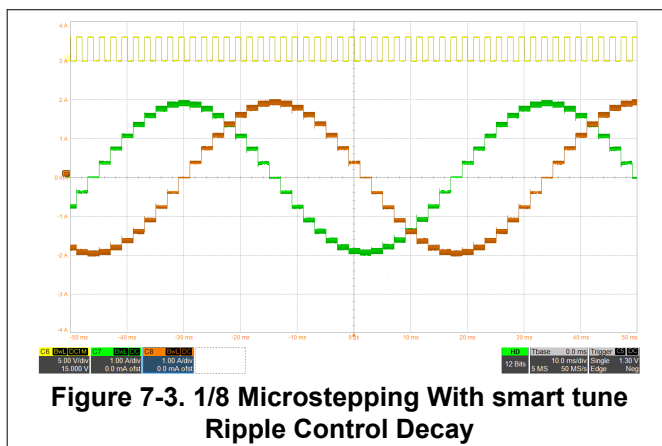
### 7.2.2.2 Current Regulation

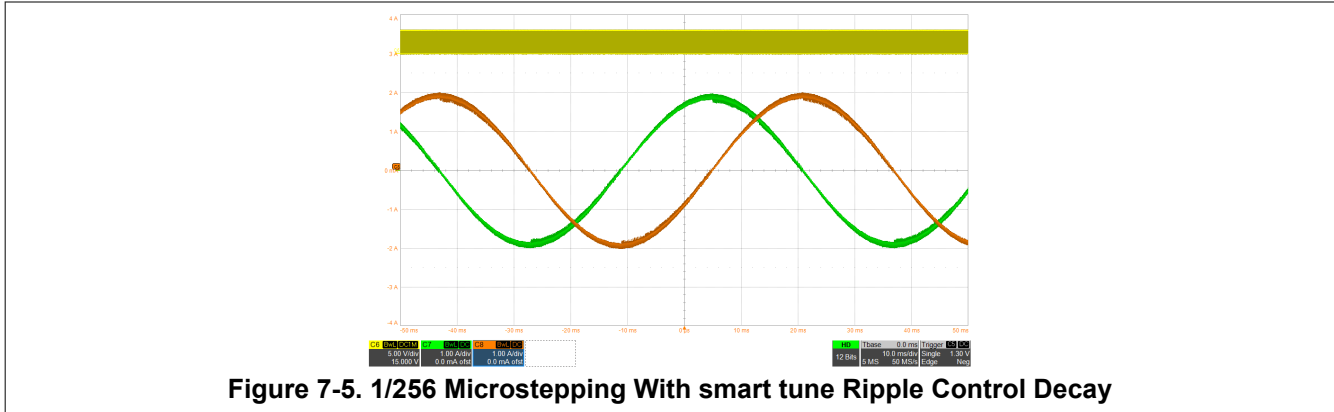
In a stepper motor, the full-scale current ( $I_{FS}$ ) is the maximum current driven through either winding. This quantity depends on the VREF voltage. The maximum allowable voltage on the VREF pin is 3.3 V. DVDD can be used to provide VREF through a resistor divider. During stepping,  $I_{FS}$  defines the current chopping threshold ( $I_{TRIP}$ ) for the maximum current step.

### 7.2.2.3 Decay Mode

The DRV8434A-Q1 operates with smart tune ripple control decay mode. When a motor winding current has hit the current chopping threshold ( $I_{TRIP}$ ), the DRV8434A-Q1 places the winding in slow decay.

### 7.2.2.4 Application Curves





### 7.2.2.5 Thermal Application

This section presents the power dissipation calculation and junction temperature estimation of the device.

#### 7.2.2.5.1 Power Dissipation

The total power dissipation constitutes of three main components - conduction loss ( $P_{COND}$ ), switching loss ( $P_{SW}$ ) and power loss due to quiescent current consumption ( $P_Q$ ).

#### 7.2.2.5.2 Conduction Loss

The current path for a motor connected in full-bridge is through the high-side FET of one half-bridge and low-side FET of the other half-bridge. The conduction loss ( $P_{COND}$ ) depends on the motor rms current ( $I_{RMS}$ ) and high-side ( $R_{DS(ONH)}$ ) and low-side ( $R_{DS(ONL)}$ ) on-state resistances as shown in Equation 2.

$$P_{COND} = 2 \times (I_{RMS})^2 \times (R_{DS(ONH)} + R_{DS(ONL)}) \quad (2)$$

The conduction loss for the typical application shown in Typical Application is calculated in Equation 3.

$$P_{COND} = 2 \times (I_{RMS})^2 \times (R_{DS(ONH)} + R_{DS(ONL)}) = 2 \times (2-A / \sqrt{2})^2 \times (0.165-\Omega + 0.165-\Omega) = 1.32-W \quad (3)$$

#### Note

This power calculation is highly dependent on the device temperature which significantly effects the high-side and low-side on-resistance of the FETs. For more accurate calculation, consider the dependency of on-resistance of FETs with device temperature.

#### 7.2.2.5.3 Switching Loss

The power loss due to the PWM switching frequency depends on the slew rate ( $t_{SR}$ ), supply voltage, motor RMS current and the PWM switching frequency. The switching losses in each H-bridge during rise-time and fall-time are calculated as shown in Equation 4 and Equation 5.

$$P_{SW\_RISE} = 0.5 \times V_{VM} \times I_{RMS} \times t_{RISE\_PWM} \times f_{PWM} \quad (4)$$

$$P_{SW\_FALL} = 0.5 \times V_{VM} \times I_{RMS} \times t_{FALL\_PWM} \times f_{PWM} \quad (5)$$

Both  $t_{RISE\_PWM}$  and  $t_{FALL\_PWM}$  can be approximated as  $V_{VM} / t_{SR}$ . After substituting the values of various parameters, and assuming 30-kHz PWM frequency, the switching losses in each H-bridge are calculated as shown below -

$$P_{SW\_RISE} = 0.5 \times 24-V \times (2-A / \sqrt{2}) \times (24-V / 240 V/\mu s) \times 30-kHz = 0.05-W \quad (6)$$

$$P_{SW\_FALL} = 0.5 \times 24-V \times (1-A / \sqrt{2}) \times (24-V / 240 V/\mu s) \times 30-kHz = 0.05-W \quad (7)$$

The total switching loss for the stepper motor driver ( $P_{SW}$ ) is calculated as twice the sum of rise-time ( $P_{SW\_RISE}$ ) switching loss and fall-time ( $P_{SW\_FALL}$ ) switching loss as shown below -

$$P_{SW} = 2 \times (P_{SW\_RISE} + P_{SW\_FALL}) = 2 \times (0.05\text{-W} + 0.05\text{-W}) = 0.2\text{-W} \quad (8)$$

---

**Note**

The rise-time ( $t_{RISE}$ ) and the fall-time ( $t_{FALL}$ ) are calculated based on typical values of the slew rate ( $t_{SR}$ ). This parameter is expected to change based on the supply-voltage, temperature and device to device variation.

The switching loss is directly proportional to the PWM switching frequency. The PWM frequency in an application will depend on the supply voltage, inductance of the motor coil, back emf voltage and OFF time or the ripple current (for smart tune ripple control decay mode).

---

**7.2.2.5.4 Power Dissipation Due to Quiescent Current**

The power dissipation due to the quiescent current consumed by the power supply is calculated as shown below -

$$P_Q = V_{VM} \times I_{VM} \quad (9)$$

Substituting the values, quiescent power loss can be calculated as shown below -

$$P_Q = 24\text{-V} \times 5\text{-mA} = 0.12\text{-W} \quad (10)$$

---

**Note**

The quiescent power loss is calculated using the typical operating supply current ( $I_{VM}$ ) which is dependent on supply-voltage, temperature and device to device variation.

---

**7.2.2.5.5 Total Power Dissipation**

The total power dissipation ( $P_{TOT}$ ) is calculated as the sum of conduction loss, switching loss and the quiescent power loss as shown in [Equation 11](#).

$$P_{TOT} = P_{COND} + P_{SW} + P_Q = 1.32\text{-W} + 0.2\text{-W} + 0.12\text{-W} = 1.64\text{-W} \quad (11)$$

**7.2.2.5.6 Device Junction Temperature Estimation**

For an ambient temperature of  $T_A$  and total power dissipation ( $P_{TOT}$ ), the junction temperature ( $T_J$ ) is calculated as -

$$T_J = T_A + (P_{TOT} \times R_{\theta JA})$$

Considering a JEDEC standard 4-layer PCB, the junction-to-ambient thermal resistance ( $R_{\theta JA}$ ) is 39 °C/W for the VQFN package. Assuming 25°C ambient temperature,

The junction temperature for the VQFN package is calculated as shown below -

$$T_J = 25^\circ\text{C} + (1.64\text{-W} \times 39^\circ\text{C/W}) = 88.96^\circ\text{C} \quad (12)$$



## 8 Power Supply Recommendations

The device is designed to operate from an input voltage supply (VM) range from 4.5 V to 48 V. A 0.01- $\mu\text{F}$  ceramic capacitor rated for VM must be placed at each VM pin as close to the device as possible. In addition, a bulk capacitor must be included on VM.

### 8.1 Bulk Capacitance

Having appropriate local bulk capacitance is an important factor in motor drive system design. It is generally beneficial to have more bulk capacitance, while the disadvantages are increased cost and physical size.

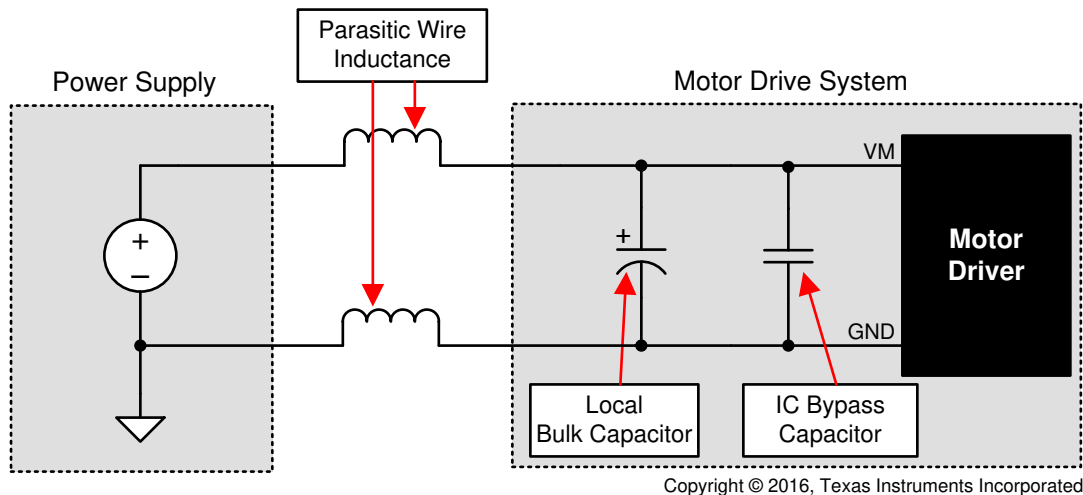
The amount of local capacitance needed depends on a variety of factors, including:

- The highest current required by the motor system
- The power supply's capacitance and ability to source current
- The amount of parasitic inductance between the power supply and motor system
- The acceptable voltage ripple
- The type of motor used (brushed DC, brushless DC, stepper)
- The motor braking method

The inductance between the power supply and motor drive system will limit the rate current can change from the power supply. If the local bulk capacitance is too small, the system will respond to excessive current demands or dumps from the motor with a change in voltage. When adequate bulk capacitance is used, the motor voltage remains stable and high current can be quickly supplied.

The data sheet generally provides a recommended value, but system-level testing is required to determine the appropriate sized bulk capacitor.

The voltage rating for bulk capacitors should be higher than the operating voltage, to provide margin for cases when the motor transfers energy to the supply.



**Figure 8-1. Example Setup of Motor Drive System With External Power Supply**

## 9 Layout

### 9.1 Layout Guidelines

The VM pin should be bypassed to PGND using a low-ESR ceramic bypass capacitor with a recommended value of 0.01  $\mu\text{F}$  rated for VM. This capacitor should be placed as close to the VM pin as possible with a thick trace or ground plane connection to the device PGND pin.

The VM pin must be bypassed to ground using a bulk capacitor rated for VM. This component can be an electrolytic capacitor.

A low-ESR ceramic capacitor must be placed in between the CPL and CPH pins. A value of 0.022  $\mu\text{F}$  rated for VM is recommended. Place this component as close to the pins as possible.

A low-ESR ceramic capacitor must be placed in between the VM and VCP pins. A value of 0.22  $\mu\text{F}$  rated for 16 V is recommended. Place this component as close to the pins as possible.

Bypass the DVDD pin to ground with a low-ESR ceramic capacitor. A value of 0.47  $\mu\text{F}$  rated for 6.3 V is recommended. Place this bypassing capacitor as close to the pin as possible..

### 9.2 Layout Example

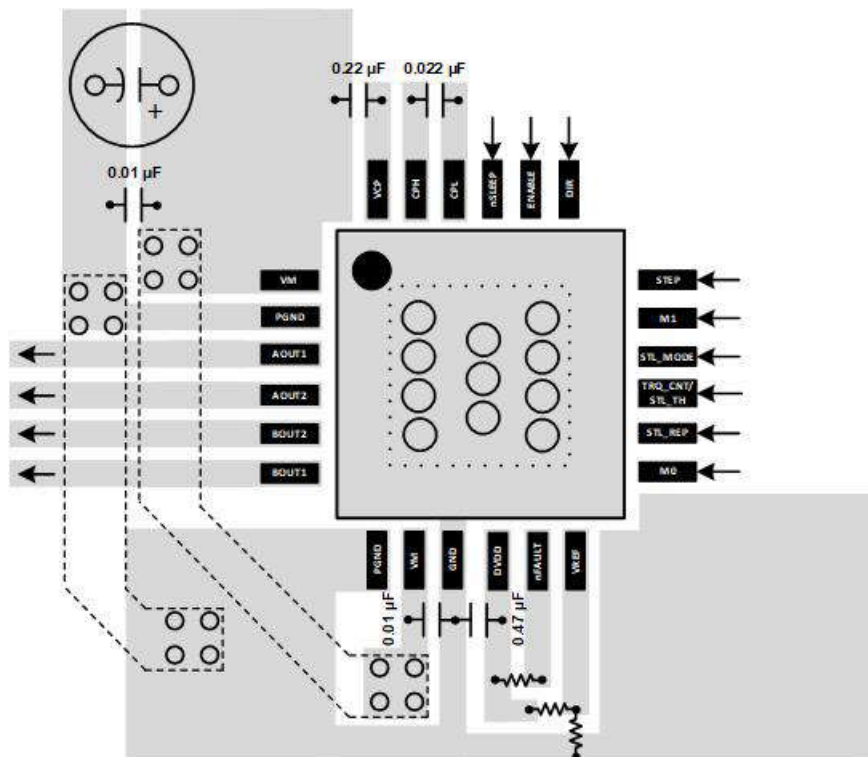


Figure 9-1. QFN Layout Example

## 10 Device and Documentation Support

### 10.1 Related Documentation

- Texas Instruments, [How to Reduce Audible Noise in Stepper Motors](#) application report
- Texas Instruments, [How to Improve Motion Smoothness and Accuracy](#) application report
- Texas Instruments, [How to Drive Unipolar Stepper Motors with DRV8xxx](#) application report
- Texas Instruments, [Calculating Motor Driver Power Dissipation](#) application report
- Texas Instruments, [Current Recirculation and Decay Modes](#) application report
- Texas Instruments, [Understanding Motor Driver Current Ratings](#) application report
- Texas Instruments, [Motor Drives Layout Guide](#) application report

### 10.2 Receiving Notification of Documentation Updates

To receive notification of documentation updates, navigate to the device product folder on [ti.com](#). Click on *Notifications* to register and receive a weekly digest of any product information that has changed. For change details, review the revision history included in any revised document.

### 10.3 Support Resources

TI E2E™ [support forums](#) are an engineer's go-to source for fast, verified answers and design help — straight from the experts. Search existing answers or ask your own question to get the quick design help you need.

Linked content is provided "AS IS" by the respective contributors. They do not constitute TI specifications and do not necessarily reflect TI's views; see TI's [Terms of Use](#).

### 10.4 Trademarks

TI E2E™ is a trademark of Texas Instruments.  
All trademarks are the property of their respective owners.

### 10.5 Electrostatic Discharge Caution



This integrated circuit can be damaged by ESD. Texas Instruments recommends that all integrated circuits be handled with appropriate precautions. Failure to observe proper handling and installation procedures can cause damage.

ESD damage can range from subtle performance degradation to complete device failure. Precision integrated circuits may be more susceptible to damage because very small parametric changes could cause the device not to meet its published specifications.

### 10.6 Glossary

[TI Glossary](#) This glossary lists and explains terms, acronyms, and definitions.

## 11 Revision History

NOTE: Page numbers for previous revisions may differ from page numbers in the current version.

### Changes from Revision \* (December 2020) to Revision A (May 2022)

Page

---

## 12 Mechanical, Packaging, and Orderable Information

The following pages include mechanical, packaging, and orderable information. This information is the most current data available for the designated devices. This data is subject to change without notice and revision of this document. For browser-based versions of this data sheet, refer to the left-hand navigation.

**PACKAGING INFORMATION**

| Orderable Device | Status<br>(1) | Package Type | Package Drawing | Pins | Package Qty | Eco Plan<br>(2) | Lead finish/<br>Ball material<br>(6) | MSL Peak Temp<br>(3) | Op Temp (°C) | Device Marking<br>(4/5) | Samples |
|------------------|---------------|--------------|-----------------|------|-------------|-----------------|--------------------------------------|----------------------|--------------|-------------------------|---------|
| DRV8434AQWRGERQ1 | ACTIVE        | VQFN         | RGE             | 24   | 3000        | RoHS & Green    | NIPDAU                               | Level-1-260C-UNLIM   | -40 to 125   | D8434AQ                 | Samples |

(1) The marketing status values are defined as follows:

**ACTIVE:** Product device recommended for new designs.

**LIFEBUY:** TI has announced that the device will be discontinued, and a lifetime-buy period is in effect.

**NRND:** Not recommended for new designs. Device is in production to support existing customers, but TI does not recommend using this part in a new design.

**PREVIEW:** Device has been announced but is not in production. Samples may or may not be available.

**OBSELETE:** TI has discontinued the production of the device.

(2) **RoHS:** TI defines "RoHS" to mean semiconductor products that are compliant with the current EU RoHS requirements for all 10 RoHS substances, including the requirement that RoHS substance do not exceed 0.1% by weight in homogeneous materials. Where designed to be soldered at high temperatures, "RoHS" products are suitable for use in specified lead-free processes. TI may reference these types of products as "Pb-Free".

**RoHS Exempt:** TI defines "RoHS Exempt" to mean products that contain lead but are compliant with EU RoHS pursuant to a specific EU RoHS exemption.

**Green:** TI defines "Green" to mean the content of Chlorine (Cl) and Bromine (Br) based flame retardants meet JS709B low halogen requirements of <=1000ppm threshold. Antimony trioxide based flame retardants must also meet the <=1000ppm threshold requirement.

(3) MSL, Peak Temp. - The Moisture Sensitivity Level rating according to the JEDEC industry standard classifications, and peak solder temperature.

(4) There may be additional marking, which relates to the logo, the lot trace code information, or the environmental category on the device.

(5) Multiple Device Markings will be inside parentheses. Only one Device Marking contained in parentheses and separated by a "-" will appear on a device. If a line is indented then it is a continuation of the previous line and the two combined represent the entire Device Marking for that device.

(6) Lead finish/Ball material - Orderable Devices may have multiple material finish options. Finish options are separated by a vertical ruled line. Lead finish/Ball material values may wrap to two lines if the finish value exceeds the maximum column width.

**Important Information and Disclaimer:**The information provided on this page represents TI's knowledge and belief as of the date that it is provided. TI bases its knowledge and belief on information provided by third parties, and makes no representation or warranty as to the accuracy of such information. Efforts are underway to better integrate information from third parties. TI has taken and continues to take reasonable steps to provide representative and accurate information but may not have conducted destructive testing or chemical analysis on incoming materials and chemicals. TI and TI suppliers consider certain information to be proprietary, and thus CAS numbers and other limited information may not be available for release.

In no event shall TI's liability arising out of such information exceed the total purchase price of the TI part(s) at issue in this document sold by TI to Customer on an annual basis.

**OTHER QUALIFIED VERSIONS OF DRV8434A-Q1 :**

- Catalog : [DRV8434A](#)

NOTE: Qualified Version Definitions:

- Catalog - TI's standard catalog product

**TAPE AND REEL INFORMATION**

**QUADRANT ASSIGNMENTS FOR PIN 1 ORIENTATION IN TAPE**


\*All dimensions are nominal

| Device           | Package Type | Package Drawing | Pins | SPQ  | Reel Diameter (mm) | Reel Width W1 (mm) | A0 (mm) | B0 (mm) | K0 (mm) | P1 (mm) | W (mm) | Pin1 Quadrant |
|------------------|--------------|-----------------|------|------|--------------------|--------------------|---------|---------|---------|---------|--------|---------------|
| DRV8434AQWRGERQ1 | VQFN         | RGE             | 24   | 3000 | 330.0              | 12.4               | 4.25    | 4.25    | 1.15    | 8.0     | 12.0   | Q2            |

**TAPE AND REEL BOX DIMENSIONS**



\*All dimensions are nominal

| Device           | Package Type | Package Drawing | Pins | SPQ  | Length (mm) | Width (mm) | Height (mm) |
|------------------|--------------|-----------------|------|------|-------------|------------|-------------|
| DRV8434AQWRGERQ1 | VQFN         | RGE             | 24   | 3000 | 367.0       | 367.0      | 35.0        |

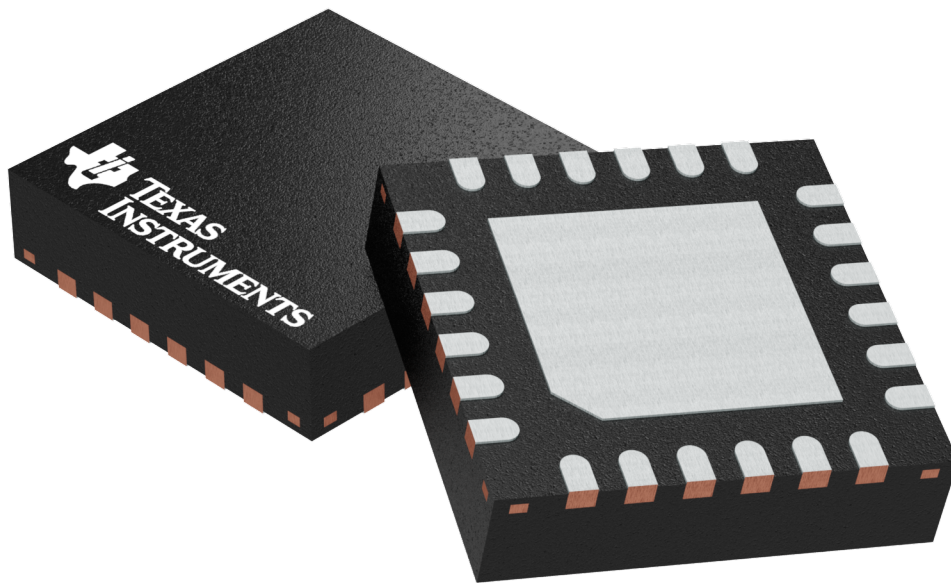


**RGE 24**

**GENERIC PACKAGE VIEW**

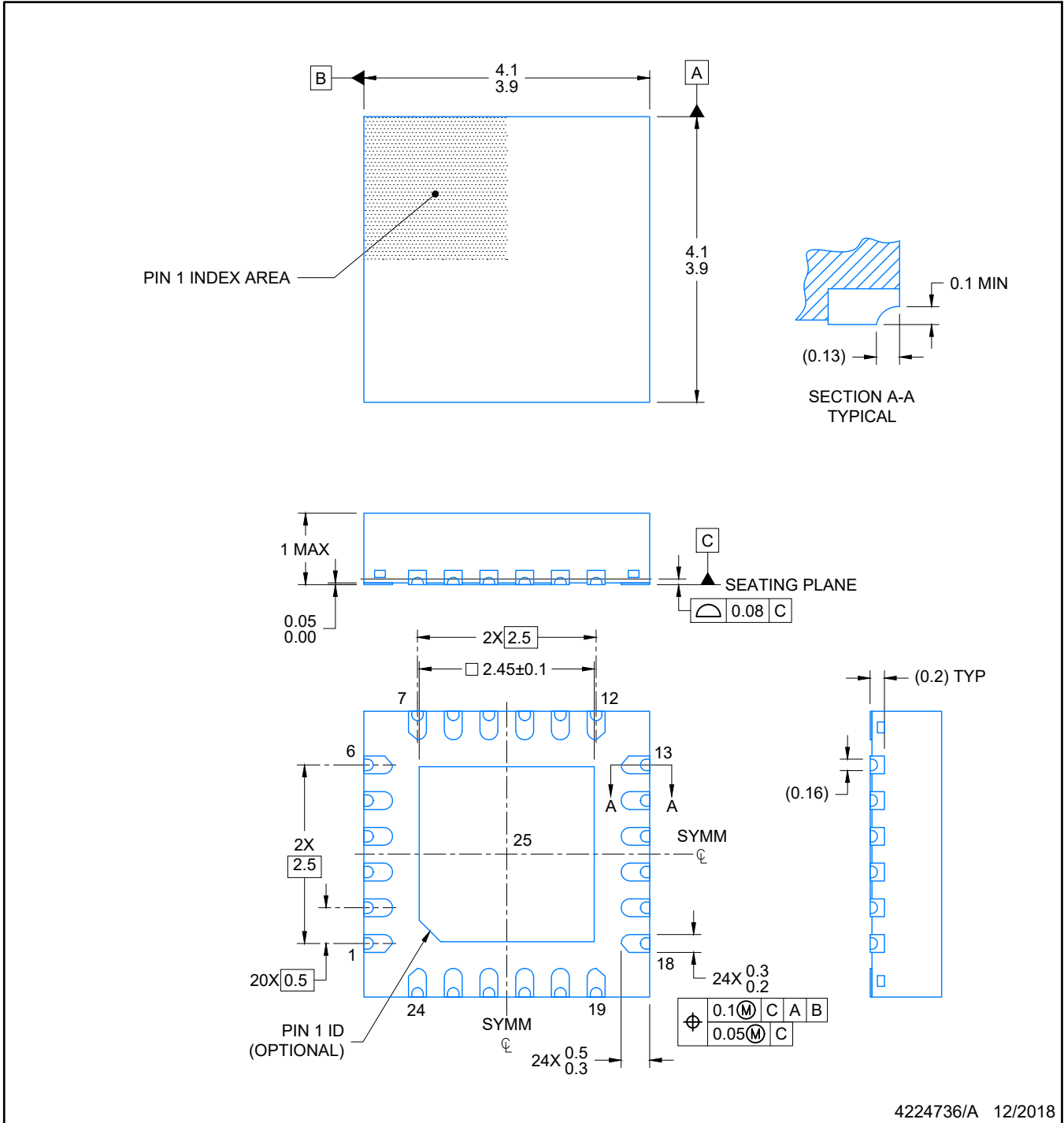
**VQFN - 1 mm max height**

PLASTIC QUAD FLATPACK - NO LEAD



Images above are just a representation of the package family, actual package may vary.  
Refer to the product data sheet for package details.

4204104/H



4224736/A 12/2018

NOTES:

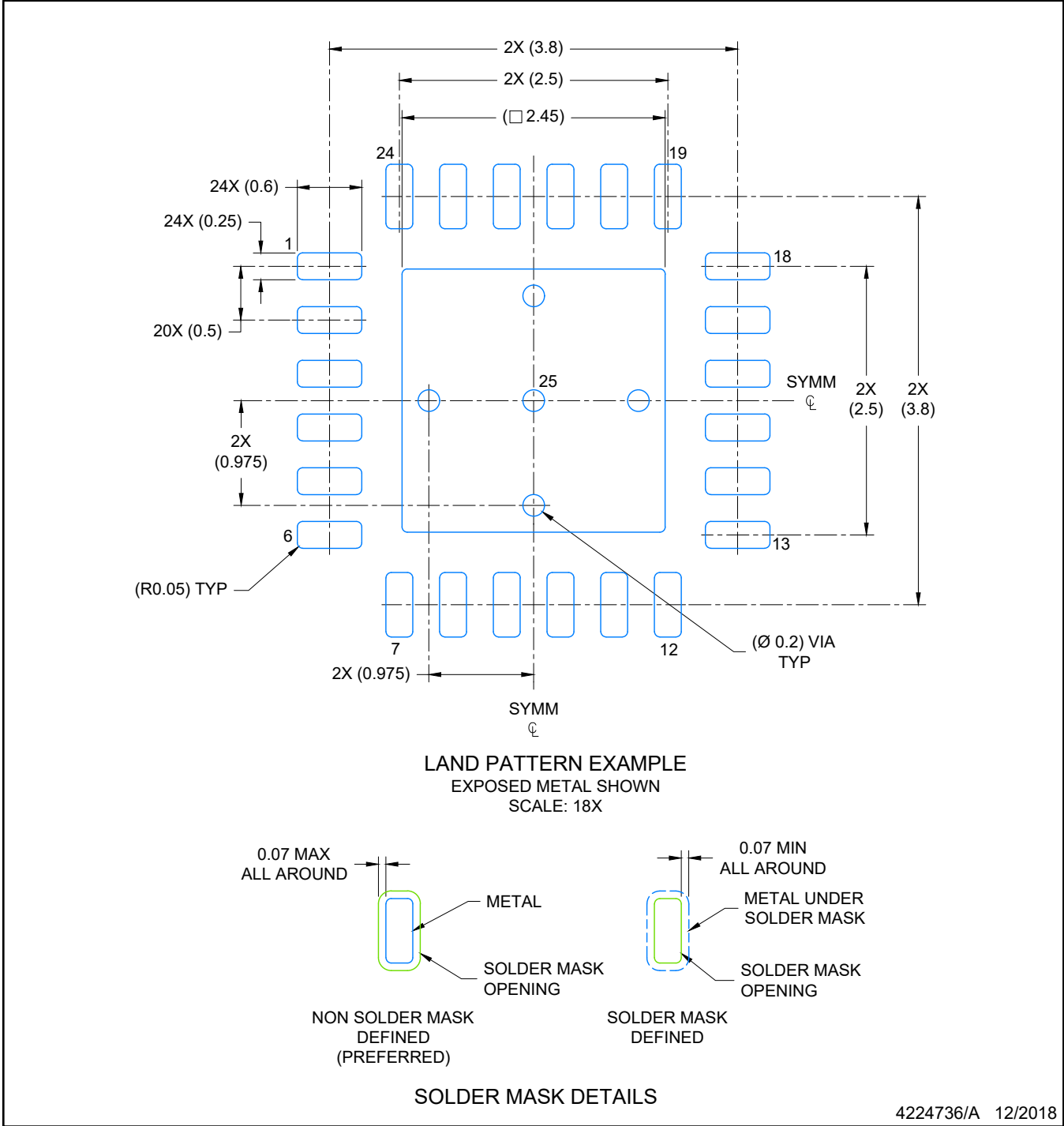
1. All linear dimensions are in millimeters. Any dimensions in parenthesis are for reference only. Dimensioning and tolerancing per ASME Y14.5M.
2. This drawing is subject to change without notice.
3. The package thermal pad must be soldered to the printed circuit board for optimal thermal and mechanical performance.

# EXAMPLE BOARD LAYOUT

RGE0024N

VQFN - 1 mm max height

PLASTIC QUAD FLATPACK-NO LEAD



NOTES: (continued)

- 4. This package is designed to be soldered to a thermal pad on the board. For more information, see Texas Instruments literature number SLUA271 ([www.ti.com/lit/slua271](http://www.ti.com/lit/slua271)).
- 5. Vias are optional depending on application, refer to device data sheet. If any vias are implemented, refer to their locations shown on this view. It is recommended that vias under paste be filled, plugged or tented.



## IMPORTANT NOTICE AND DISCLAIMER

TI PROVIDES TECHNICAL AND RELIABILITY DATA (INCLUDING DATA SHEETS), DESIGN RESOURCES (INCLUDING REFERENCE DESIGNS), APPLICATION OR OTHER DESIGN ADVICE, WEB TOOLS, SAFETY INFORMATION, AND OTHER RESOURCES "AS IS" AND WITH ALL FAULTS, AND DISCLAIMS ALL WARRANTIES, EXPRESS AND IMPLIED, INCLUDING WITHOUT LIMITATION ANY IMPLIED WARRANTIES OF MERCHANTABILITY, FITNESS FOR A PARTICULAR PURPOSE OR NON-INFRINGEMENT OF THIRD PARTY INTELLECTUAL PROPERTY RIGHTS.

These resources are intended for skilled developers designing with TI products. You are solely responsible for (1) selecting the appropriate TI products for your application, (2) designing, validating and testing your application, and (3) ensuring your application meets applicable standards, and any other safety, security, regulatory or other requirements.

These resources are subject to change without notice. TI grants you permission to use these resources only for development of an application that uses the TI products described in the resource. Other reproduction and display of these resources is prohibited. No license is granted to any other TI intellectual property right or to any third party intellectual property right. TI disclaims responsibility for, and you will fully indemnify TI and its representatives against, any claims, damages, costs, losses, and liabilities arising out of your use of these resources.

TI's products are provided subject to [TI's Terms of Sale](#) or other applicable terms available either on [ti.com](https://www.ti.com) or provided in conjunction with such TI products. TI's provision of these resources does not expand or otherwise alter TI's applicable warranties or warranty disclaimers for TI products.

TI objects to and rejects any additional or different terms you may have proposed.

Mailing Address: Texas Instruments, Post Office Box 655303, Dallas, Texas 75265  
Copyright © 2024, Texas Instruments Incorporated