

ISO722x Dual-Channel Digital Isolators

1 Features

- 1, 5, 25, and 150Mbps Signaling Rate Options
 - Low Channel-to-Channel Output Skew; 1ns Max
 - Low Pulse-Width Distortion (PWD); 1ns Max
 - Low Jitter Content; 1ns Typ at 150Mbps
- 50kV/ μ s Typical Transient Immunity
- Operates with 2.8V (C-Grade), 3.3V, or 5V Supplies
- 4kV ESD Protection
- High Electromagnetic Immunity
- -40°C to $+125^{\circ}\text{C}$ Operating Range
- Typical 28-Year Life at Rated Voltage (see [Isolation Lifetime Projection](#))
- [Safety-Related Certifications](#)
 - DIN EN IEC 60747-17 (VDE 0884-17)
 - UL 1577 component recognition program
 - IEC 61010-1, IEC 62368-1 certifications

2 Applications

- [Factory Automation](#)
 - [Modbus](#)
 - [Profibus™](#)
 - [DeviceNet™ Data Buses](#)
- [Computer Peripheral Interface](#)
- [Servo Control Interface](#)
- [Data Acquisition](#)

3 Description

The ISO7220x and ISO7221x family devices are dual-channel digital isolators. To facilitate PCB layout, the channels are oriented in the same direction in the ISO7220x and in opposite directions in the ISO7221x. These devices have a logic input and output buffer separated by TI's silicon-dioxide (SiO_2) isolation barrier, providing galvanic isolation of up to 4000V_{PK} per VDE. Used in conjunction with isolated power supplies, these devices block high voltage and isolate grounds, as well as prevent noise currents on a data bus or other circuits from entering the local ground and interfering with or damaging sensitive circuitry.

A binary input signal is conditioned, translated to a balanced signal, then differentiated by the isolation barrier. Across the isolation barrier, a differential comparator receives the logic transition information, then sets or resets a flip-flop and the output circuit accordingly. A periodic update pulse is sent across the barrier to verify that the proper dc level of the output. If this dc-refresh pulse is not received every

$4\mu\text{s}$, the input is assumed to be unpowered or not being actively driven, and the failsafe circuit drives the output to a logic high state.

The resulting time constant provide fast operation with signaling rates available from 0Mbps (DC) to 150Mbps (The signaling rate of a line is the number of voltage transitions that are made per second expressed in the units bps). The A-option, B-option, and C-option devices have TTL input thresholds and a noise filter at the input that prevents transient pulses from being passed to the output of the device. The M-option devices have CMOS $V_{\text{CC}}/2$ input thresholds and do not have the input noise filter and the additional propagation delay.

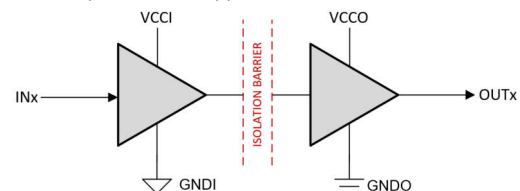
The ISO7220x and ISO7221x family of devices require two supply voltages of 2.8V (C-Grade), 3.3V, 5V, or any combination. All inputs are 5V tolerant when supplied from a 2.8V or 3.3V supply and all outputs are 4mA CMOS.

The ISO7220x and ISO7221x family of devices are characterized for operation over the ambient temperature range of -40°C to $+125^{\circ}\text{C}$.

Package Information

| PART NUMBER | PACKAGE ⁽¹⁾ | BODY SIZE (NOM) | PACKAGE SIZE ⁽²⁾ |
|-------------|------------------------|-----------------|-----------------------------|
| ISO7220x | D (SOIC, 8) | 4.90mm × 3.91mm | 4.9mm × 6mm |
| ISO7221x | | | |

- (1) For all available packages, see the orderable addendum at the end of the data sheet.
- (2) The package size (length × width) is a nominal value and includes pins, where applicable.



V_{CCI} and GNDI are supply and ground connections respectively for the input channels.

V_{CCO} and GNDO are supply and ground connections respectively for the output channels.

Simplified Schematic

Table of Contents

| | | | |
|--|----|--|----|
| 1 Features | 1 | 5.17 Switching Characteristics—3.3-V V_{CC1} and V_{CC2} Supplies..... | 16 |
| 2 Applications | 1 | 5.18 Switching Characteristics—2.8-V V_{CC1} and V_{CC2} Supplies..... | 16 |
| 3 Description | 1 | 5.19 Insulation Characteristics Curves..... | 17 |
| 4 Pin Configuration and Functions | 3 | 5.20 Typical Characteristics..... | 18 |
| 5 Specifications | 4 | 6 Parameter Measurement Information | 20 |
| 5.1 Absolute Maximum Ratings..... | 4 | 7 Detailed Description | 22 |
| 5.2 ESD Ratings..... | 4 | 7.1 Overview..... | 22 |
| 5.3 Recommended Operating Conditions..... | 5 | 7.2 Functional Block Diagram..... | 22 |
| 5.4 Thermal Information..... | 5 | 7.3 Feature Description..... | 23 |
| 5.5 Power Ratings..... | 5 | 7.4 Device Functional Modes..... | 23 |
| 5.6 Insulation Specifications..... | 6 | 8 Application and Implementation | 24 |
| 5.7 Safety-Related Certifications..... | 6 | 8.1 Application Information..... | 24 |
| 5.8 Safety Limiting Values..... | 7 | 8.2 Typical Application..... | 24 |
| 5.9 Electrical Characteristics—5-V V_{CC1} and V_{CC2} Supplies..... | 8 | 8.3 Power Supply Recommendations..... | 26 |
| 5.10 Electrical Characteristics—5-V V_{CC1} and 3.3-V V_{CC2} Supply..... | 9 | 8.4 Layout..... | 26 |
| 5.11 Electrical Characteristics—3.3-V V_{CC1} and 5-V V_{CC2} Supply..... | 10 | 9 Device and Documentation Support | 27 |
| 5.12 Electrical Characteristics—3.3-V V_{CC1} and V_{CC2} Supplies..... | 11 | 9.1 Device Support..... | 27 |
| 5.13 Electrical Characteristics—2.8-V V_{CC1} and V_{CC2} Supplies..... | 12 | 9.2 Documentation Support..... | 27 |
| 5.14 Switching Characteristics—5-V V_{CC1} and V_{CC2} Supplies..... | 13 | 9.3 Related Links..... | 27 |
| 5.15 Switching Characteristics—5-V V_{CC1} and 3.3-V V_{CC2} Supply..... | 14 | 9.4 Receiving Notification of Documentation Updates..... | 27 |
| 5.16 Switching Characteristics—3.3-V V_{CC1} and 5-V V_{CC2} Supplies..... | 15 | 9.5 Support Resources..... | 27 |
| | | 9.6 Trademarks..... | 27 |
| | | 9.7 Electrostatic Discharge Caution..... | 28 |
| | | 9.8 Glossary..... | 28 |
| | | 10 Revision History | 28 |
| | | 11 Mechanical, Packaging, and Orderable Information | 28 |

4 Pin Configuration and Functions

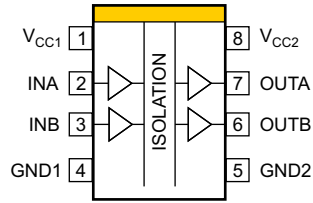


Figure 4-1. ISO7220x D Package 8-Pin SOIC Top View

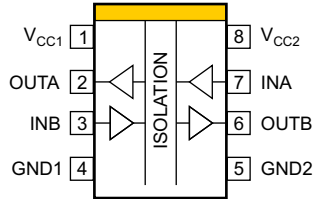


Figure 4-2. ISO7221x D Package 8-Pin SOIC Top View

Table 4-1. Pin Functions

| NAME | PIN | | Type ⁽¹⁾ | DESCRIPTION |
|------------------|----------|----------|---------------------|--|
| | ISO7220x | ISO7221x | | |
| INA | 2 | 7 | I | Input, channel A |
| INB | 3 | 3 | I | Input, channel B |
| GND1 | 4 | 4 | — | Ground connection for V _{CC1} |
| GND2 | 5 | 5 | — | Ground connection for V _{CC2} |
| OUTA | 7 | 2 | O | Output, channel A |
| OUTB | 6 | 6 | O | Output, channel B |
| V _{CC1} | 1 | 1 | — | Power supply, V _{CC1} |
| V _{CC2} | 8 | 8 | — | Power supply, V _{CC2} |

(1) I = Input; O = Output

5 Specifications

5.1 Absolute Maximum Ratings

over operating free-air temperature range (unless otherwise noted)⁽¹⁾

| | | MIN | MAX | UNIT |
|------------------|---|------|--------------------------------------|------|
| V _{CC} | Supply voltage ⁽²⁾ , V _{CC1} , V _{CC2} | -0.5 | 6 | V |
| V _I | Voltage at IN, OUT | -0.5 | V _{CC} + 0.5 ⁽³⁾ | V |
| I _O | Output current | -15 | 15 | mA |
| T _J | Maximum junction temperature | | 170 | °C |
| T _{stg} | Storage temperature | -65 | 150 | °C |

- (1) Operation outside the Absolute Maximum Ratings may cause permanent device damage. Absolute Maximum Ratings do not imply functional operation of the device at these or any other conditions beyond those listed under Recommended Operating Conditions. If used outside the Recommended Operating Conditions but within the Absolute Maximum Ratings, the device may not be fully functional, and this may affect device reliability, functionality, performance, and shorten the device lifetime.
- (2) All voltage values except differential I/O bus voltages are with respect to the local ground terminal (GND1 or GND2) and are peak voltage values.
- (3) Maximum voltage must not exceed 6 V.

5.2 ESD Ratings

| | | VALUE | UNIT | |
|--------------------|-------------------------|--|-------|---|
| V _(ESD) | Electrostatic discharge | Human body model (HBM), per ANSI/ESDA/JEDEC JS-001, all pins ⁽¹⁾ | ±4000 | V |
| | | Charged device model (CDM), per JEDEC specification JESD22-C101, all pins ⁽²⁾ | ±1000 | V |

- (1) JEDEC document JEP155 states that 500-V HBM allows safe manufacturing with a standard ESD control process.
- (2) JEDEC document JEP157 states that 250-V CDM allows safe manufacturing with a standard ESD control process.

5.3 Recommended Operating Conditions

| | | | MIN | NOM | MAX | UNIT |
|-------------------|---|------------------------------|-----------------------|-----|-----------------------|------|
| V _{CC} | Supply voltage ⁽²⁾ , V _{CC1} , V _{CC2} | ISO722xA, ISO722xB, ISO722xM | 3 | | 5.5 | V |
| | | ISO722xC | 2.8 | | 5.5 | |
| I _{OH} | High-level output current | | -4 | | | mA |
| I _{OL} | Low-level output current | | | | 4 | mA |
| t _{ui} | Input pulse width ⁽¹⁾ | ISO722xA | 1 | | | μs |
| | | ISO722xB | 200 | | | ns |
| | | ISO722xC | 40 | | | |
| | | ISO722xM | 6.67 | | | |
| 1/t _{ui} | Signaling rate ⁽¹⁾ | ISO722xA | 0 | | 1000 | kbps |
| | | ISO722xB | 0 | | 5 | Mbps |
| | | ISO722xC | 0 | | 25 | |
| | | ISO722xM | 0 | | 150 | |
| V _{IH} | High-level input voltage | ISO722xA, ISO722xB, ISO722xC | 2 | | 5.5 | V |
| V _{IL} | Low-level input voltage | ISO722xA, ISO722xB, ISO722xC | 0 | | 0.8 | V |
| V _{IH} | High-level input voltage | ISO722xM | 0.7 × V _{CC} | | V _{CC} | V |
| V _{IL} | Low-level input voltage | ISO722xM | 0 | | 0.3 × V _{CC} | V |
| T _J | Junction temperature | | -40 | | 150 | °C |
| H | External magnetic field-strength immunity per IEC 61000-4-8 and IEC 61000-4-9 certification | | | | 1000 | A/m |

- (1) Typical signaling rate and Input pulse width are measured at ideal conditions at 25°C.
(2) For the 5-V operation, V_{CC1} or V_{CC2} is specified from 4.5 V to 5.5 V.
For the 3.3-V operation, V_{CC1} or V_{CC2} is specified from 3 V to 3.6 V.
For the 2.8-V operation, V_{CC1} or V_{CC2} is specified at 2.8 V.

5.4 Thermal Information

| THERMAL METRIC ⁽¹⁾ | | | ISO7220x ISO7221x | UNIT |
|-------------------------------|--|---|----------------------|------|
| | | | D (SOIC) | |
| | | | 8 PINS | |
| R _{θJA} | Junction-to-ambient thermal resistance | Low-K Thermal Resistance ⁽²⁾ | 212 | °C/W |
| | | High-K Thermal Resistance | 122 | |
| R _{θJC(top)} | Junction-to-case (top) thermal resistance | | 69.1 | °C/W |
| R _{θJB} | Junction-to-board thermal resistance | | 47.7 | °C/W |
| ψ _{JT} | Junction-to-top characterization parameter | | 15.2 | °C/W |
| ψ _{JB} | Junction-to-board characterization parameter | | 47.2 | °C/W |
| R _{θJC(bot)} | Junction-to-case (bottom) thermal resistance | | — | °C/W |

- (1) For more information about traditional and new thermal metrics, see the [Semiconductor and IC Package Thermal Metrics](#) application note.
(2) Tested in accordance with the Low-K or High-K thermal metric definitions of EIA/JESD51-3 for leaded surface mount packages.

5.5 Power Ratings

V_{CC1} = V_{CC2} = 5.5 V, T_J = 150C, C_L = 15 pF, Input a 150 Mbps 50% duty cycle square wave

| PARAMETER | TEST CONDITIONS | MIN | TYP | MAX | UNIT |
|----------------|------------------------------------|-----|-----|-----|------|
| P _D | Device power dissipation, ISO722xM | | | 390 | mW |

5.6 Insulation Specifications

| PARAMETER | | TEST CONDITIONS | VALUE | UNIT |
|---|--|---|------------|-----------|
| GENERAL | | | | |
| CLR | External clearance ⁽¹⁾ | Shortest terminal-to-terminal distance through air | 4 | mm |
| CPG | External creepage ⁽¹⁾ | Shortest terminal-to-terminal distance across the package surface | 4 | mm |
| DTI | Distance through the insulation | Minimum internal gap (internal clearance) | 0.008 | mm |
| CTI | Comparative tracking index | DIN EN 60112 (VDE 0884-17); IEC 60112 | 400 | V |
| | Material group | | II | |
| | Overvoltage category | Rated mains voltage $\leq 150 V_{RMS}$ | I-IV | |
| | | Rated mains voltage $\leq 300 V_{RMS}$ | I-III | |
| | | Rated mains voltage $\leq 400 V_{RMS}$ | I-II | |
| DIN EN IEC 60747-17 (VDE 0884-17):⁽²⁾ | | | | |
| V_{IORM} | Maximum repetitive peak isolation voltage | AC voltage (bipolar) | 560 | V_{PK} |
| V_{IOTM} | Maximum transient isolation voltage | $V_{TEST} = V_{IOTM}$, $t = 60$ s (qualification); $V_{TEST} = 1.2 \times V_{IOTM}$, $t = 1$ s (100% production) | 4000 | V_{PK} |
| q_{pd} | Apparent charge ⁽³⁾ | Method a: After I/O safety test subgroup 2/3, $V_{ini} = V_{IOTM}$, $t_{ini} = 60$ s; $V_{pd(m)} = 1.2 \times V_{IORM}$, $t_m = 10$ s | ≤ 5 | pC |
| | | Method a: After environmental tests subgroup 1, $V_{ini} = V_{IOTM}$, $t_{ini} = 60$ s; $V_{pd(m)} = 1.3 \times V_{IORM}$, $t_m = 10$ s | ≤ 5 | |
| | | Method b: At routine test (100% production); $V_{ini} = 1.2 \times V_{IOTM}$, $t_{ini} = 1$ s; $V_{pd(m)} = 1.5 \times V_{IORM}$, $t_m = 1$ s (method b1) or $V_{pd(m)} = V_{ini}$, $t_m = t_{ini}$ (method b2) | ≤ 5 | |
| C_{IO} | Barrier capacitance, input to output ⁽⁴⁾ | $V_{IO} = 0.4 \sin(2\pi ft)$, $f = 1$ MHz | 1 | pF |
| R_{IO} | Isolation resistance, input to output ⁽⁴⁾ | $V_{IO} = 500$ V, $T_A = 25^\circ\text{C}$ | $>10^{12}$ | Ω |
| | | $V_{IO} = 500$ V, $100^\circ\text{C} \leq T_A \leq 125^\circ\text{C}$ | $>10^{11}$ | |
| | | $V_{IO} = 500$ V at $T_S = 150^\circ\text{C}$ | $>10^9$ | |
| | Pollution degree | | 2 | |
| | Climatic category | | 40/125/21 | |
| UL 1577 | | | | |
| V_{ISO} | Withstand isolation voltage | $V_{TEST} = V_{ISO} = 2500 V_{RMS}$, $t = 60$ s (qualification); $V_{TEST} = 1.2 \times V_{ISO} = 3000 V_{RMS}$, $t = 1$ s (100% production) | 2500 | V_{RMS} |

- (1) Creepage and clearance requirements should be applied according to the specific equipment isolation standards of an application. Care should be taken to maintain the creepage and clearance distance of a board design to ensure that the mounting pads of the isolator on the printed-circuit board do not reduce this distance. Creepage and clearance on a printed-circuit board become equal in certain cases. Techniques such as inserting grooves and/or ribs on a printed circuit board are used to help increase these specifications.
- (2) This coupler is suitable for *basic electrical insulation* only within the maximum operating ratings. Compliance with the safety ratings shall be ensured by means of suitable protective circuits.
- (3) Apparent charge is electrical discharge caused by a partial discharge (pd).
- (4) All pins on each side of the barrier tied together creating a two-terminal device

5.7 Safety-Related Certifications

| VDE | CSA | UL |
|--|--|--|
| Plan to certify according to DIN EN IEC 60747-17 (VDE 0884-17) | Plan to certify according to IEC 62368-1 | Plan to certify according to UL 1577 Component Recognition Program |
| Certificate planned | Certificate planned | Certificate planned |

5.8 Safety Limiting Values

Safety limiting⁽¹⁾ intends to minimize potential damage to the isolation barrier upon failure of input or output circuitry. A failure of the I/O can allow low resistance to ground or the supply and, without current limiting, dissipate sufficient power to overheat the die and damage the isolation barrier, potentially leading to secondary system failures.

| PARAMETER | | TEST CONDITIONS | MIN | TYP | MAX | UNIT |
|----------------|---|---|-----|-----|-----|------|
| I _S | Safety input, output, or supply current | R _{θJA} = 212°C/W, V _I = 5.5 V, T _J = 170°C, T _A = 25°C, see Figure 5-1 | | | 124 | mA |
| | | R _{θJA} = 212°C/W, V _I = 3.6 V, T _J = 170°C, T _A = 25°C, see Figure 5-1 | | | 190 | |
| T _S | Safety temperature | | | | 150 | °C |

- (1) The safety-limiting constraint is the maximum junction temperature specified in the data sheet. The power dissipation and junction-to-air thermal impedance of the device installed in the application hardware determines the junction temperature. The assumed junction-to-air [thermal resistance](#) in the table is that of a device installed on a high-K test board for leaded surface-mount packages. The power is the recommended maximum input voltage times the current. The junction temperature is then the ambient temperature plus the power times the junction-to-air thermal resistance.

5.9 Electrical Characteristics—5-V V_{CC1} and V_{CC2} Supplies

V_{CC1} and V_{CC2} at 5 V \pm 10% (over recommended operating conditions unless otherwise noted.)

| PARAMETER | | TEST CONDITIONS | MIN | TYP | MAX | UNIT |
|--------------|--------------------------------|---|----------------|-----|-----|-------------|
| I_{CC1} | V_{CC1} supply current | ISO7220x quiescent, $V_I = V_{CC}$ or 0 V, no load | | 1 | 2 | mA |
| | | ISO7221 quiescent, $V_I = V_{CC}$ or 0 V, no load | | 8.5 | 17 | |
| | | ISO7220A and ISO7220B 1 Mbps, 0.5-MHz input clock signal, no load | | 2 | 3 | mA |
| | | ISO7221A, ISO7221B 1 Mbps, 0.5-MHz input clock signal, no load | | 10 | 18 | |
| | | ISO7220C, ISO7220M 25 Mbps, 12.5-MHz input clock signal, no load | | 4 | 9 | mA |
| | | ISO7221C and ISO7221M 25 Mbps, 12.5-MHz input clock signal, no load | | 12 | 22 | |
| I_{CC2} | V_{CC2} supply current | ISO7220x quiescent, $V_I = V_{CC}$ or 0 V, no load | | 16 | 31 | mA |
| | | ISO7221x quiescent, $V_I = V_{CC}$ or 0 V, no load | | 8.5 | 17 | |
| | | ISO7220A and ISO7220B 1 Mbps, 0.5-MHz input clock signal, no load | | 17 | 32 | mA |
| | | ISO7221A, ISO7221B 1 Mbps, 0.5-MHz input clock signal, no load | | 10 | 18 | |
| | | ISO7220C, ISO7220M 25 Mbps, 12.5-MHz input clock signal, no load | | 20 | 34 | mA |
| | | ISO7221C and ISO7221M 25 Mbps, 12.5-MHz input clock signal, no load | | 12 | 22 | |
| V_{OH} | High-level output voltage | $I_{OH} = -4$ mA, See Figure 6-1 | $V_{CC} - 0.8$ | 4.6 | | V |
| | | $I_{OH} = -20$ μ A, See Figure 6-1 | $V_{CC} - 0.1$ | 5 | | |
| V_{OL} | Low-level output voltage | $I_{OL} = 4$ mA, See Figure 6-1 | | 0.2 | 0.4 | V |
| | | $I_{OL} = 20$ μ A, See Figure 6-1 | | 0 | 0.1 | |
| $V_{I(HYS)}$ | Input voltage hysteresis | | | 150 | | mV |
| I_{IH} | High-level input current | IN from 0 V to V_{CC} | | | 10 | μ A |
| I_{IL} | Low-level input current | IN from 0 V to V_{CC} | -10 | | | μ A |
| C_I | Input capacitance to ground | IN at V_{CC} , $V_I = 0.4 \sin(2\pi ft)$, $f = 2$ MHz. | | 1 | | pF |
| CMTI | Common-mode transient immunity | $V_I = V_{CC}$ or 0 V, See Figure 6-3 | 25 | 50 | | kV/ μ s |

5.10 Electrical Characteristics—5-V V_{CC1} and 3.3-V V_{CC2} Supply

V_{CC1} at 5 V \pm 10%, V_{CC2} at 3.3 V \pm 10% (over recommended operating conditions unless otherwise noted.)

| PARAMETER | | TEST CONDITIONS | MIN | TYP | MAX | UNIT |
|--------------|--------------------------------|---|----------------|-----|-----|-------------|
| I_{CC1} | V_{CC1} supply current | ISO7220x quiescent, $V_I = V_{CC}$ or 0 V, no load | | 1 | 2 | mA |
| | | ISO7221x quiescent, $V_I = V_{CC}$ or 0 V, no load | | 8.5 | 17 | |
| | | ISO7220A and ISO7220B 1 Mbps, 0.5-MHz input clock signal, no load | | 2 | 3 | mA |
| | | ISO7221A and ISO7221B 1 Mbps, 0.5-MHz input clock signal, no load | | 10 | 18 | |
| | | ISO7220C and ISO7220M 25 Mbps, 12.5-MHz input clock signal, no load | | 4 | 9 | mA |
| | | ISO7221C and ISO7221M 25 Mbps, 12.5-MHz input clock signal, no load | | 12 | 22 | |
| I_{CC2} | V_{CC2} supply current | ISO7220x quiescent, $V_I = V_{CC}$ or 0 V, no load | | 8 | 18 | mA |
| | | ISO7221x quiescent, $V_I = V_{CC}$ or 0 V, no load | | 4.3 | 9.5 | |
| | | ISO7220A and ISO7220B 1 Mbps, 0.5-MHz input clock signal, no load | | 9 | 19 | mA |
| | | ISO7221A and ISO7221B 1 Mbps, 0.5-MHz input clock signal, no load | | 5 | 11 | |
| | | ISO7220C and ISO7220M 25 Mbps, 12.5-MHz input clock signal, no load | | 10 | 20 | mA |
| | | ISO7221C and ISO7221M 25 Mbps, 12.5-MHz input clock signal, no load | | 6 | 12 | |
| V_{OH} | High-level output voltage | ISO7220x, ISO7221x (3.3-V side), $I_{OH} = -4$ mA, See Figure 6-1 | $V_{CC} - 0.4$ | | | V |
| | | ISO7221x (5-V side), $I_{OH} = -4$ mA, See Figure 6-1 | $V_{CC} - 0.8$ | | | |
| | | All devices, $I_{OH} = -20$ μ A, See Figure 6-1 | $V_{CC} - 0.1$ | | | |
| V_{OL} | Low-level output voltage | $I_{OL} = 4$ mA, See Figure 6-1 | 0.4 | | | V |
| | | $I_{OL} = 20$ μ A, See Figure 6-1 | 0.1 | | | |
| $V_{I(HYS)}$ | Input voltage hysteresis | | | 150 | | mV |
| I_{IH} | High-level input current | IN from 0 V to V_{CC} | | | 10 | μ A |
| I_{IL} | Low-level input current | IN from 0 V to V_{CC} | -10 | | | μ A |
| C_1 | Input capacitance to ground | IN at V_{CC} , $V_I = 0.4 \sin(2\pi ft)$, $f = 2$ MHz. | | 1 | | pF |
| CMTI | Common-mode transient immunity | $V_I = V_{CC}$ or 0 V, See Figure 6-3 | 15 | 40 | | kV/ μ s |

5.11 Electrical Characteristics—3.3-V V_{CC1} and 5-V V_{CC2} Supply

V_{CC1} at 3.3 V \pm 10%, V_{CC2} at 5 V \pm 10% (over recommended operating conditions unless otherwise noted.)

| PARAMETER | | TEST CONDITIONS | MIN | TYP | MAX | UNIT |
|--------------|------------------------------------|--|----------------|-----|-----|-------------|
| I_{CC1} | V_{CC1} supply current | ISO7220x quiescent, $V_I = V_{CC}$ or 0 V, no load | | 0.6 | 1 | mA |
| | | ISO7221x quiescent, $V_I = V_{CC}$ or 0 V, no load | | 4.3 | 9.5 | |
| | | ISO7220A and ISO7220B 1 Mbps, 0.5-MHz input clock signal, no load | | 1 | 2 | mA |
| | | ISO7221A and ISO7221B 1 Mbps, 0.5-MHz input clock signal, no load | | 5 | 11 | |
| | | ISO7220C and ISO7220M 25 Mbps, 12.5-MHz input clock signal, no load | | 2 | 4 | mA |
| | | ISO7221C and ISO7221M 25 Mbps, 12.5-MHz input clock signal, no load | | 6 | 12 | |
| I_{CC2} | V_{CC2} supply current | ISO7220x quiescent, $V_I = V_{CC}$ or 0 V, no load | | 16 | 31 | mA |
| | | ISO7221x quiescent, $V_I = V_{CC}$ or 0 V, no load | | 8.5 | 17 | |
| | | ISO7220A and ISO7220B 1 Mbps, 0.5-MHz input clock signal, no load | | 18 | 32 | mA |
| | | ISO7221A and ISO7221B 1 Mbps, 0.5-MHz input clock signal, no load | | 10 | 18 | |
| | | ISO7220C and ISO7220M 25 Mbps, 12.5-MHz input clock signal, no load | | 20 | 34 | mA |
| | | ISO7221C and ISO7221M 25 Mbps, 12.5-MHz input clock signal, no load | | 12 | 22 | |
| V_{OH} | High-level output voltage | ISO7220x and ISO7221x (5-V side), $I_{OH} = -4$ mA, See Figure 6-1 | $V_{CC} - 0.8$ | | | V |
| | | ISO7221x (3.3-V side), $I_{OH} = -4$ mA, See Figure 6-1 | $V_{CC} - 0.4$ | | | |
| | | All devices, $I_{OH} = -20$ μ A, See Figure 6-1 | $V_{CC} - 0.1$ | | | |
| V_{OL} | Low-level output voltage | $I_{OL} = 4$ mA, See Figure 6-1 | | | 0.4 | |
| | | $I_{OL} = 20$ μ A, See Figure 6-1 | | 0 | 0.1 | |
| $V_{I(HYS)}$ | Input threshold voltage hysteresis | | | 150 | | mV |
| I_{IH} | High-level input current | IN from 0 V or V_{CC} | | | 10 | μ A |
| I_{IL} | Low-level input current | IN from 0 V or V_{CC} | -10 | | | μ A |
| C_I | Input capacitance to ground | IN at V_{CC} , $V_I = 0.4 \sin(2\pi ft)$, $f = 2$ MHz. | | 1 | | pF |
| CMTI | Common-mode transient immunity | $V_I = V_{CC}$ or 0 V, See Figure 6-3 | 15 | 40 | | kV/ μ s |

5.12 Electrical Characteristics—3.3-V V_{CC1} and V_{CC2} Supplies

V_{CC1} and V_{CC2} at 3.3 V \pm 10% (over recommended operating conditions unless otherwise noted.)⁽¹⁾

| PARAMETER | | TEST CONDITIONS | MIN | TYP | MAX | UNIT |
|--------------|--------------------------------|---|----------------|-----|-----|-------------|
| I_{CC1} | V_{CC2} supply current | ISO7220x quiescent, $V_I = V_{CC}$ or 0 V, no load | | 0.6 | 1 | mA |
| | | ISO7221x quiescent, $V_I = V_{CC}$ or 0 V, no load | | 4.3 | 9.5 | |
| | | ISO7220A and ISO7220B 1 Mbps, 0.5-MHz input clock signal, no load | | 1 | 2 | mA |
| | | ISO7221A and ISO7221B 1 Mbps, 0.5-MHz input clock signal, no load | | 5 | 11 | |
| | | ISO7220C and ISO7220M 25 Mbps, 12.5-MHz input clock signal, no load | | 2 | 4 | mA |
| | | ISO7221C and ISO7221M 25 Mbps, 12.5-MHz input clock signal, no load | | 6 | 12 | |
| I_{CC2} | V_{CC2} supply current | ISO7220x quiescent, $V_I = V_{CC}$ or 0 V, no load | | 8 | 18 | mA |
| | | ISO7221x quiescent, $V_I = V_{CC}$ or 0 V, no load | | 4.3 | 9.5 | |
| | | ISO7220A and ISO7220B 1 Mbps, 0.5-MHz input clock signal, no load | | 9 | 19 | mA |
| | | ISO7221A and ISO7221B 1 Mbps, 0.5-MHz input clock signal, no load | | 5 | 11 | |
| | | ISO7220C and ISO7220M 25 Mbps, 12.5-MHz input clock signal, no load | | 10 | 20 | mA |
| | | ISO7221C and ISO7221M 25 Mbps, 12.5-MHz input clock signal, no load | | 6 | 12 | |
| V_{OH} | High-level output voltage | $I_{OH} = -4$ mA, See Figure 6-1 | $V_{CC} - 0.4$ | 3 | | V |
| | | $I_{OH} = -20$ μ A, See Figure 6-1 | $V_{CC} - 0.1$ | 3.3 | | |
| V_{OL} | Low-level output voltage | $I_{OL} = 4$ mA, See Figure 6-1 | | 0.2 | 0.4 | |
| | | $I_{OL} = 20$ μ A, See Figure 6-1 | | 0 | 0.1 | |
| $V_{I(HYS)}$ | Input voltage hysteresis | | | 150 | | mV |
| I_{IH} | High-level input current | IN from 0 V or V_{CC} | | | 10 | μ A |
| I_{IL} | Low-level input current | IN from 0 V or V_{CC} | -10 | | | μ A |
| C_I | Input capacitance to ground | IN at V_{CC} , $V_I = 0.4 \sin(2\pi ft)$, $f = 2$ MHz. | | 1 | | pF |
| CMTI | Common-mode transient immunity | $V_I = V_{CC}$ or 0 V, See Figure 6-3 | 15 | 40 | | kV/ μ s |

(1) For the 3.3-V operation, V_{CC1} or V_{CC2} is specified from 3 V to 3.6 V.

5.13 Electrical Characteristics—2.8-V V_{CC1} and V_{CC2} Supplies

V_{CC1} and V_{CC2} at 2.8 V (over recommended operating conditions unless otherwise noted.) 2.8-V operation is only specified for ISO722xC with production screening starting in January 2012. The first two digits of the Lot Trace Code (YMSLLLLG4) written on top of each device can be used to identify year and month of production respectively.

| PARAMETER | | TEST CONDITIONS | MIN | TYP | MAX | UNIT |
|--------------|--------------------------------|---|----------------|------|-----|-------------|
| I_{CC1} | V_{CC1} supply current | ISO7220C quiescent, $V_I = V_{CC}$ or 0 V, no load | | 0.4 | 0.9 | mA |
| | | ISO7221C quiescent, $V_I = V_{CC}$ or 0 V, no load | | 3.7 | 7.5 | |
| | | ISO7220C 25 Mbps, 12.5-MHz input clock signal, no load | | 1.5 | 3.5 | mA |
| | | ISO7221C 25 Mbps, 12.5-MHz input clock signal, no load | | 4.5 | 10 | |
| I_{CC2} | V_{CC2} supply current | ISO7220C quiescent, $V_I = V_{CC}$ or 0 V, no load | | 6.8 | 15 | mA |
| | | ISO7221C quiescent, $V_I = V_{CC}$ or 0 V, no load | | 3.7 | 7.5 | |
| | | ISO7220C 25 Mbps, 12.5-MHz input clock signal, no load | | 9 | 17 | mA |
| | | ISO7221C 25 Mbps, 12.5-MHz input clock signal, no load | | 4.5 | 10 | |
| V_{OH} | High-level output voltage | $I_{OH} = -4$ mA, See Figure 6-1 | $V_{CC} - 0.6$ | 2.55 | | V |
| | | $I_{OH} = -20$ μ A, See Figure 6-1 | $V_{CC} - 0.1$ | 2.8 | | |
| V_{OL} | Low-level output voltage | $I_{OL} = 4$ mA, See Figure 6-1 | | 0.25 | 0.6 | |
| | | $I_{OL} = 20$ μ A, See Figure 6-1 | | 0 | 0.1 | |
| $V_{I(HYS)}$ | Input voltage hysteresis | | | 150 | | mV |
| I_{IH} | High-level input current | IN from 0 V or V_{CC} | | | 10 | μ A |
| I_{IL} | Low-level input current | IN from 0 V or V_{CC} | -10 | | | μ A |
| C_I | Input capacitance to ground | IN at V_{CC} , $V_I = 0.4 \sin(2\pi ft)$, $f = 2$ MHz. | | 1 | | pF |
| CMTI | Common-mode transient immunity | $V_I = V_{CC}$ or 0 V, See Figure 6-3 | 10 | 30 | | kV/ μ s |

5.14 Switching Characteristics—5-V V_{CC1} and V_{CC2} Supplies

V_{CC1} and V_{CC2} at 5 V \pm 10% (over recommended operating conditions unless otherwise noted.)

| PARAMETER | | TEST CONDITIONS | MIN | TYP | MAX | UNIT |
|-----------------------|--|--|-----|-----|---------|------|
| t_{PLH} , t_{PHL} | Propagation delay | ISO722xA, see Figure 6-1 | 252 | 405 | 600 | ns |
| PWD | Pulse-width distortion $ t_{PHL} - t_{PLH} ^{(1)}$ | | | | | |
| t_{PLH} , t_{PHL} | Propagation delay | ISO722xB, see Figure 6-1 | 35 | 55 | 70 | ns |
| PWD | Pulse-width distortion $ t_{PHL} - t_{PLH} ^{(1)}$ | | | | | |
| t_{PLH} , t_{PHL} | Propagation delay | ISO722xC, see Figure 6-1 | 21 | 32 | 42 | ns |
| PWD | Pulse-width distortion $ t_{PHL} - t_{PLH} ^{(1)}$ | | | | | |
| t_{PLH} , t_{PHL} | Propagation delay | ISO722xM, see Figure 6-1 | 6 | 10 | 16 | ns |
| PWD | Pulse-width distortion $ t_{PHL} - t_{PLH} ^{(1)}$ | | | | | |
| $t_{sk(pp)}$ | Part-to-part skew ⁽²⁾ | ISO722xA | 180 | | ns | |
| | | ISO722xB | 17 | | | |
| | | ISO722xC | 10 | | | |
| | | ISO722xM | 3 | | | |
| $t_{sk(o)}$ | Channel-to-channel output skew ⁽³⁾ | ISO7220A | 3 | 15 | ns | |
| | | ISO7220B | 0.6 | 3 | | |
| | | ISO7220C | | 2 | | |
| | | ISO7220M | 0.2 | 1 | | |
| t_r | Output signal rise time | See Figure 6-1 | 2.3 | | ns | |
| t_f | Output signal fall time | | 2.3 | | ns | |
| t_{fs} | Failsafe output delay time from input power loss | See Figure 6-2 | 3 | | μ s | |
| $t_{jit(pp)}$ | Peak-to-peak eye-pattern jitter | ISO722xM, 150 Mbps PRBS NRZ data, 5-bit max same polarity input, both channels, See Figure 6-4 , Figure 5-13 | 1 | | ns | |
| | | ISO722xM, 150 Mbps unrestricted bit run length data input, both channels, See Figure 6-4 | 2 | | | |

- (1) Also referred to as pulse skew.
- (2) $t_{sk(pp)}$ is the magnitude of the difference in propagation delay times between any specified pins of two devices when both devices operate with the same supply voltages, at the same temperature, and have identical packages and test circuits.
- (3) $t_{sk(o)}$ is the skew between specified outputs of a single device with all driving inputs connected together and the outputs switching in the same direction while driving identical specified loads.

5.15 Switching Characteristics—5-V V_{CC1} and 3.3-V V_{CC2} Supply

V_{CC1} at 5 V \pm 10%, V_{CC2} at 3.3 V \pm 10% (over recommended operating conditions unless otherwise noted.)

| PARAMETER | | TEST CONDITIONS | MIN | TYP | MAX | UNIT |
|-----------------------|--|--|-----|-----|-----|---------|
| t_{PLH} , t_{PHL} | Propagation delay | ISO722xA, see Figure 6-1 | 253 | 410 | 585 | ns |
| PWD | Pulse-width distortion $ t_{PHL} - t_{PLH} ^{(1)}$ | | 1 | 18 | ns | |
| t_{PLH} , t_{PHL} | Propagation delay | ISO722xB, see Figure 6-1 | 35 | 58 | 75 | ns |
| PWD | Pulse-width distortion $ t_{PHL} - t_{PLH} ^{(1)}$ | | 1 | 3 | ns | |
| t_{PLH} , t_{PHL} | Propagation delay | ISO722xC, see Figure 6-1 | 21 | 36 | 48 | ns |
| PWD | Pulse-width distortion $ t_{PHL} - t_{PLH} ^{(1)}$ | | 1 | 2 | ns | |
| t_{PLH} , t_{PHL} | Propagation delay | ISO722xM, see Figure 6-1 | 7 | 12 | 20 | ns |
| PWD | Pulse-width distortion $ t_{PHL} - t_{PLH} ^{(1)}$ | | 0.5 | 1 | ns | |
| $t_{sk(pp)}$ | Part-to-part skew ⁽²⁾ | ISO722xA | | | 180 | ns |
| | | ISO722xB | | | 17 | |
| | | ISO722xC | | | 10 | |
| | | ISO722xM | | | 5 | |
| $t_{sk(o)}$ | Channel-to-channel output skew ⁽³⁾ | ISO7220A | | 3 | 15 | ns |
| | | ISO7220B | | 0.6 | 3 | |
| | | ISO7220C | | | 2 | |
| | | ISO7220M | | 0.2 | 1 | |
| t_r | Output signal rise time | See Figure 6-1 | | 2.3 | | ns |
| t_f | Output signal fall time | | | 2.3 | | ns |
| t_{fs} | Failsafe output delay time from input power loss | See Figure 6-2 | | 3 | | μ s |
| $t_{jit(pp)}$ | Peak-to-peak eye-pattern jitter | ISO722xM, 150 Mbps PRBS NRZ data, 5-bit max same polarity input, both channels, See Figure 6-4 , Figure 5-13 | | 1 | | ns |
| | | ISO722xM, 150 Mbps unrestricted bit run length data input, both channels, See Figure 6-4 | | 2 | | |

- (1) Also referred to as pulse skew.
- (2) $t_{sk(pp)}$ is the magnitude of the difference in propagation delay times between any specified pins of two devices when both devices operate with the same supply voltages, at the same temperature, and have identical packages and test circuits.
- (3) $t_{sk(o)}$ is the skew between specified outputs of a single device with all driving inputs connected together and the outputs switching in the same direction while driving identical specified loads.

5.16 Switching Characteristics—3.3-V_{CC1} and 5-V V_{CC2} Supplies

V_{CC1} at 3.3 V ± 10%, V_{CC2} at 5 V ± 10% (over recommended operating conditions unless otherwise noted.)

| PARAMETER | | TEST CONDITIONS | MIN | TYP | MAX | UNIT |
|-------------------------------------|--|--|-----|-----|-----|------|
| t _{PLH} , t _{PHL} | Propagation delay | ISO722xA, see Figure 6-1 | 268 | 395 | 605 | ns |
| PWD | Pulse-width distortion t _{PHL} – t _{PLH} ⁽¹⁾ | | | 1 | 22 | ns |
| t _{PLH} , t _{PHL} | Propagation delay | ISO722xB, see Figure 6-1 | 38 | 58 | 75 | ns |
| PWD | Pulse-width distortion t _{PHL} – t _{PLH} ⁽¹⁾ | | | 1 | 4 | ns |
| t _{PLH} , t _{PHL} | Propagation delay | ISO722xC, see Figure 6-1 | 21 | 36 | 48 | ns |
| PWD | Pulse-width distortion t _{PHL} – t _{PLH} ⁽¹⁾ | | | 1 | 3 | ns |
| t _{PLH} , t _{PHL} | Propagation delay | ISO722xM, see Figure 6-1 | 7 | 12 | 21 | ns |
| PWD | Pulse-width distortion t _{PHL} – t _{PLH} ⁽¹⁾ | | | 0.5 | 1 | ns |
| t _{sk(pp)} | Part-to-part skew ⁽²⁾ | ISO722xA | | | 190 | ns |
| | | ISO722xB | | | 17 | |
| | | ISO722xC | | | 10 | |
| | | ISO722xM | | | 5 | |
| t _{sk(o)} | Channel-to-channel output skew ⁽³⁾ | ISO7220A | | 3 | 15 | ns |
| | | ISO7220B | | 0.6 | 3 | |
| | | ISO7220C | | | 2.5 | |
| | | ISO7220M | | 0.2 | 1 | |
| t _r | Output signal rise time | See Figure 6-1 | | 2.3 | | ns |
| t _f | Output signal fall time | | | 2.3 | | ns |
| t _{fs} | Failsafe output delay time from input power loss | See Figure 6-2 | | 3 | | µs |
| t _{jit(pp)} | Peak-to-peak eye-pattern jitter | ISO722xM, 150 Mbps PRBS NRZ data, 5-bit max same polarity input, both channels, see Figure 6-4 , Figure 5-13 | | 1 | | ns |
| | | ISO722xM, 150 Mbps unrestricted bit run length data input, both channels, see Figure 6-4 | | 2 | | |

(1) Also referred to as pulse skew.

(2) t_{sk(pp)} is the magnitude of the difference in propagation delay times between any specified pins of two devices when both devices operate with the same supply voltages, at the same temperature, and have identical packages and test circuits.

(3) t_{sk(o)} is the skew between specified outputs of a single device with all driving inputs connected together and the outputs switching in the same direction while driving identical specified loads.

5.17 Switching Characteristics—3.3-V V_{CC1} and V_{CC2} Supplies

V_{CC1} and V_{CC2} at 3.3 V \pm 10% (over recommended operating conditions unless otherwise noted.)

| PARAMETER | | TEST CONDITIONS | MIN | TYP | MAX | UNIT |
|-----------------------|--|---|-----|-----|-----|---------|
| t_{PLH} , t_{PHL} | Propagation delay | ISO722xA, see Figure 6-1 | 267 | 400 | 610 | ns |
| PWD | Pulse-width distortion $ t_{PHL} - t_{PLH} ^{(1)}$ | | | 1 | 22 | ns |
| t_{PLH} , t_{PHL} | Propagation delay | ISO722xB, see Figure 6-1 | 37 | 62 | 78 | ns |
| PWD | Pulse-width distortion $ t_{PHL} - t_{PLH} ^{(1)}$ | | | 1 | 4 | ns |
| t_{PLH} , t_{PHL} | Propagation delay | ISO722xC, see Figure 6-1 | 23 | 40 | 52 | ns |
| PWD | Pulse-width distortion $ t_{PHL} - t_{PLH} ^{(1)}$ | | | 1 | 3 | ns |
| t_{PLH} , t_{PHL} | Propagation delay | ISO722xM, see Figure 6-1 | 8 | 16 | 25 | ns |
| PWD | Pulse-width distortion $ t_{PHL} - t_{PLH} ^{(1)}$ | | | 0.5 | 1 | ns |
| $t_{sk(pp)}$ | Part-to-part skew ⁽²⁾ | ISO722xA | | | 190 | ns |
| | | ISO722xB | | | 17 | |
| | | ISO722xC | | | 10 | |
| | | ISO722xM | | | 5 | |
| $t_{sk(o)}$ | Channel-to-channel output skew ⁽³⁾ | ISO7220A | | 3 | 15 | ns |
| | | ISO7220B | | 0.6 | 3 | |
| | | ISO7220C | | | 3.5 | |
| | | ISO7220M | | 0.2 | 1 | |
| t_r | Output signal rise time | See Figure 6-1 | | 2.3 | | ns |
| t_f | Output signal fall time | | | 2.3 | | ns |
| t_{fs} | Failsafe output delay time from input power loss | See Figure 6-2 | | 3 | | μ s |
| $t_{jit(pp)}$ | Peak-to-peak eye-pattern jitter | ISO722xM, 150 Mbps PRBS NRZ data, 5-bit max same polarity input, both channels, See Figure 6-4, Figure 5-13 | | 1 | | ns |
| | | ISO722xM, 150 Mbps unrestricted bit run length data input, both channels, See Figure 6-4 | | 2 | | |

- (1) Also referred to as pulse skew.
- (2) $t_{sk(pp)}$ is the magnitude of the difference in propagation delay times between any specified pins of two devices when both devices operate with the same supply voltages, at the same temperature, and have identical packages and test circuits.
- (3) $t_{sk(o)}$ is the skew between specified outputs of a single device with all driving inputs connected together and the outputs switching in the same direction while driving identical specified loads.

5.18 Switching Characteristics—2.8-V V_{CC1} and V_{CC2} Supplies

V_{CC1} and V_{CC2} at 2.8 V (over recommended operating conditions unless otherwise noted.)

| PARAMETER | | TEST CONDITIONS | MIN | TYP | MAX | UNIT |
|-----------------------|--|--------------------------|-----|-----|-----|---------|
| t_{PLH} , t_{PHL} | Propagation delay | ISO722xC, see Figure 6-1 | 25 | 45 | 65 | ns |
| PWD | Pulse-width distortion $ t_{PHL} - t_{PLH} ^{(1)}$ | | | 1.5 | 5 | ns |
| $t_{sk(pp)}$ | Part-to-part skew ⁽²⁾ | ISO722xC | | | 12 | ns |
| $t_{sk(o)}$ | Channel-to-channel output skew ⁽³⁾ | ISO7220C | | 0.2 | 5 | ns |
| t_r | Output signal rise time | See Figure 6-1 | | 2.3 | | ns |
| t_f | Output signal fall time | | | 2.3 | | ns |
| t_{fs} | Failsafe output delay time from input power loss | See Figure 6-2 | | 4.6 | | μ s |

- (1) Also referred to as pulse skew.
- (2) $t_{sk(pp)}$ is the magnitude of the difference in propagation delay times between any specified pins of two devices when both devices operate with the same supply voltages, at the same temperature, and have identical packages and test circuits.
- (3) $t_{sk(o)}$ is the skew between specified outputs of a single device with all driving inputs connected together and the outputs switching in the same direction while driving identical specified loads.

5.19 Insulation Characteristics Curves

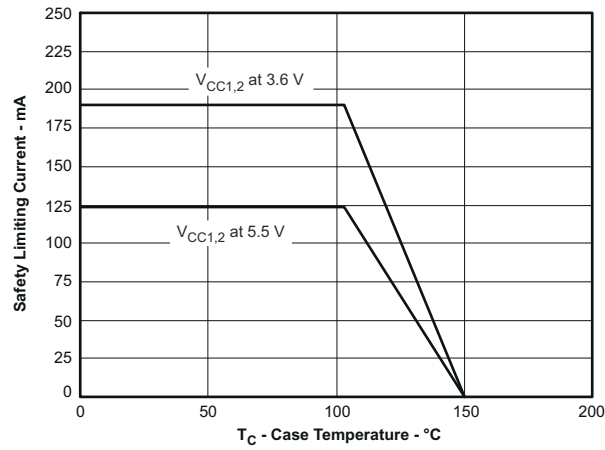


Figure 5-1. Thermal Derating Curve for Limiting Current per VDE

5.20 Typical Characteristics

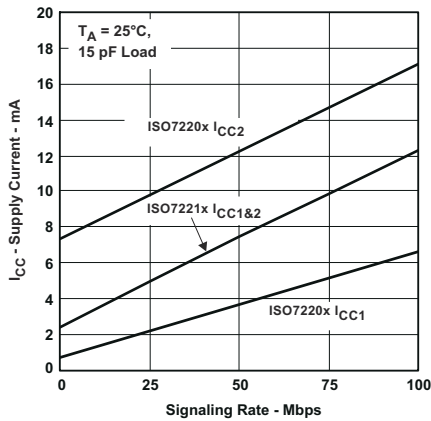


Figure 5-2. 3.3-V_{RMS} Supply Current vs Signaling Rate (Mbps)

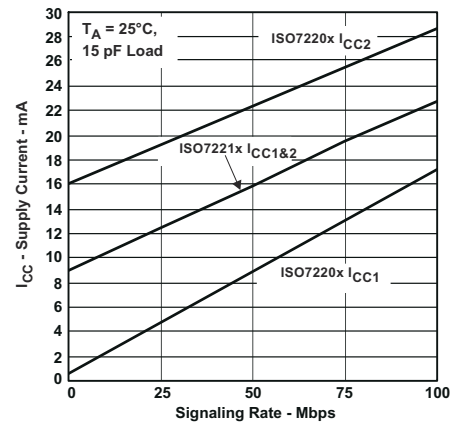


Figure 5-3. 5-V_{RMS} Supply Current vs Signaling Rate (Mbps)

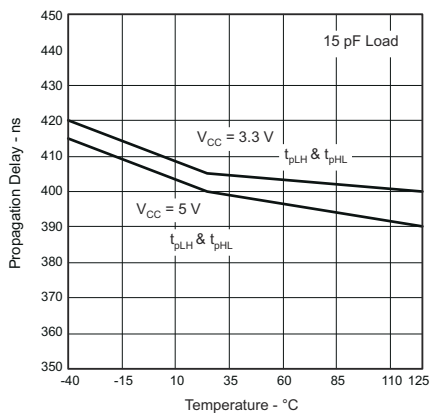


Figure 5-4. Propagation Delay vs Free-Air Temperature, ISO722xA

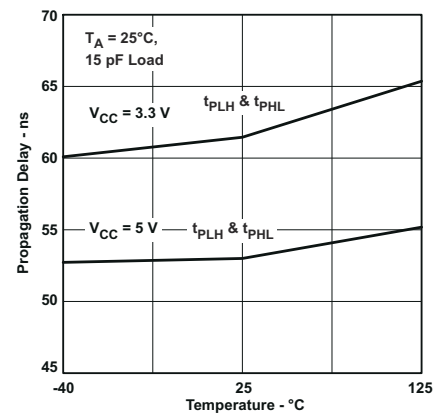


Figure 5-5. Propagation Delay vs Free-Air Temperature, ISO722xB

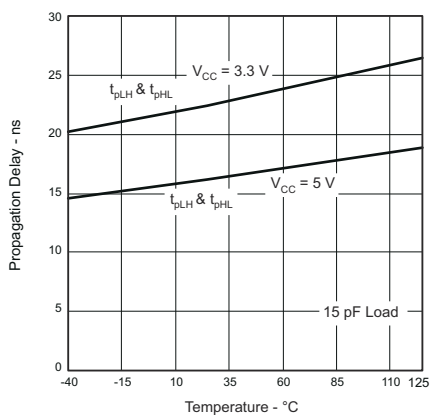


Figure 5-6. Propagation Delay vs Free-Air Temperature, ISO722xC

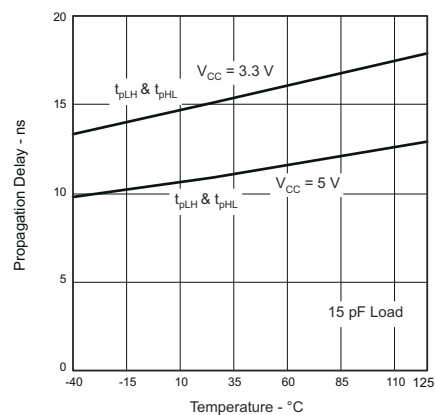


Figure 5-7. Propagation Delay vs Free-Air Temperature, ISO722xM

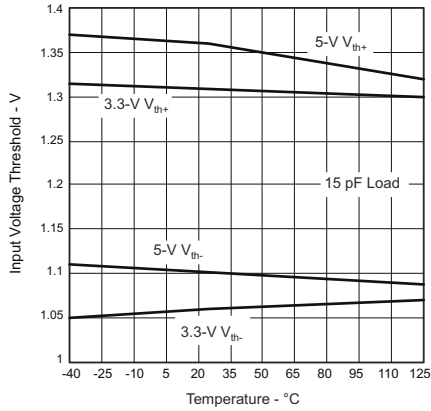


Figure 5-8. ISO722xA, ISO722xB and ISO722xC Input Voltage Low-to-High Switching Threshold vs Free-Air Temperature

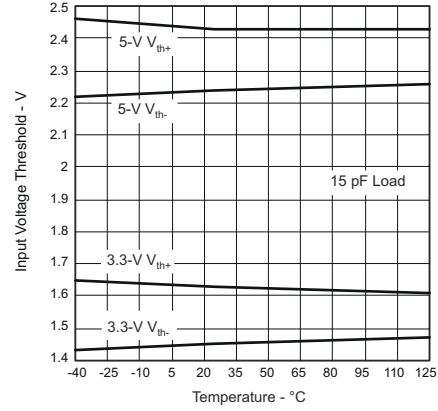


Figure 5-9. ISO722xM Input Voltage High-to-Low vs Free-Air Temperature

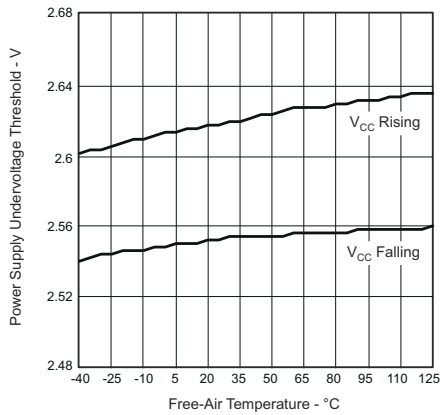


Figure 5-10. V_{CC} Undervoltage Threshold vs Free-Air Temperature

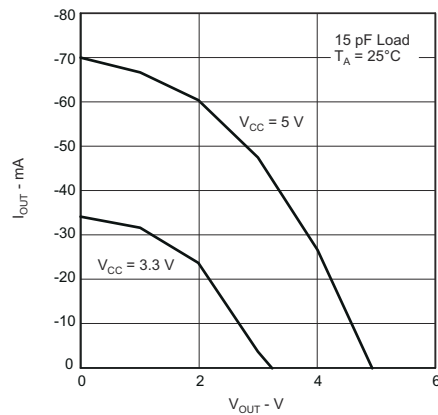


Figure 5-11. High-Level Output Current vs High-Level Output Voltage

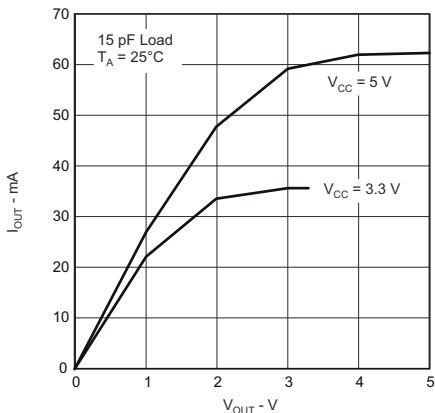


Figure 5-12. Low-Level Output Current vs Low-Level Output Voltage

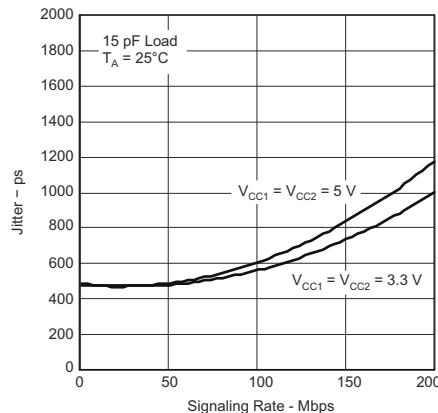
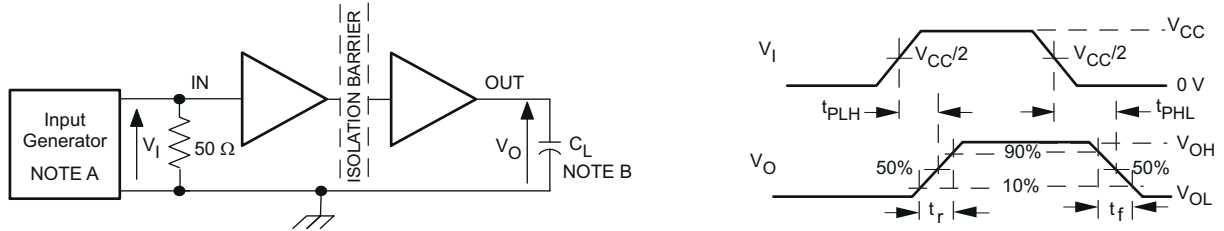


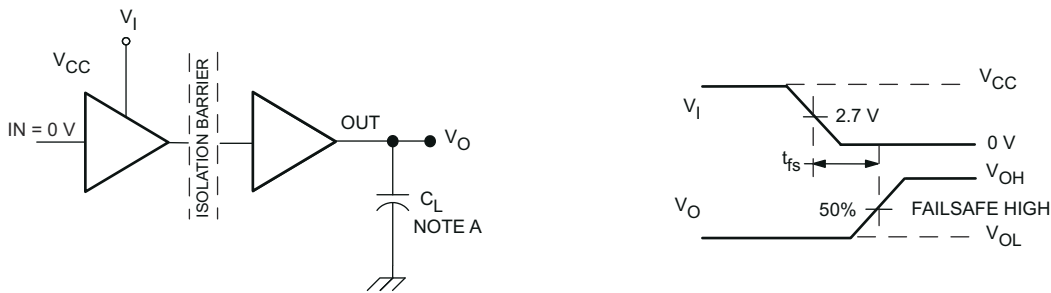
Figure 5-13. ISO722xM Jitter vs Signaling Rate

6 Parameter Measurement Information



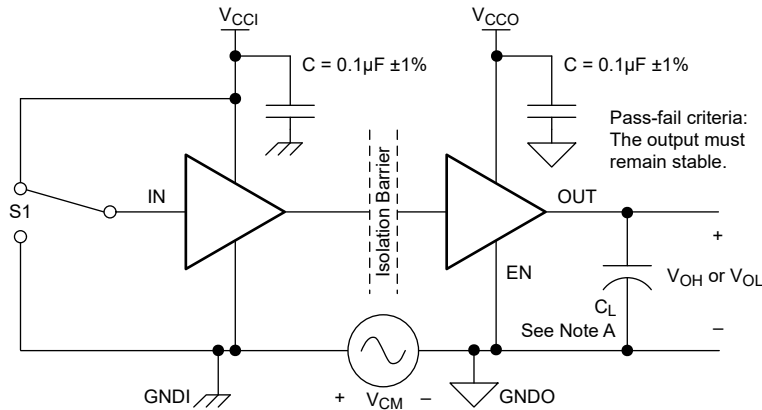
- A. The input pulse is supplied by a generator having the following characteristics: PRR \leq 50 kHz, 50% duty cycle, $t_r \leq$ 3 ns, $t_f \leq$ 3 ns, $Z_0 =$ 50 Ω .
- B. $C_L =$ 15 pF and includes instrumentation and fixture capacitance within \pm 20%.

Figure 6-1. Switching Characteristic Test Circuit and Voltage Waveforms



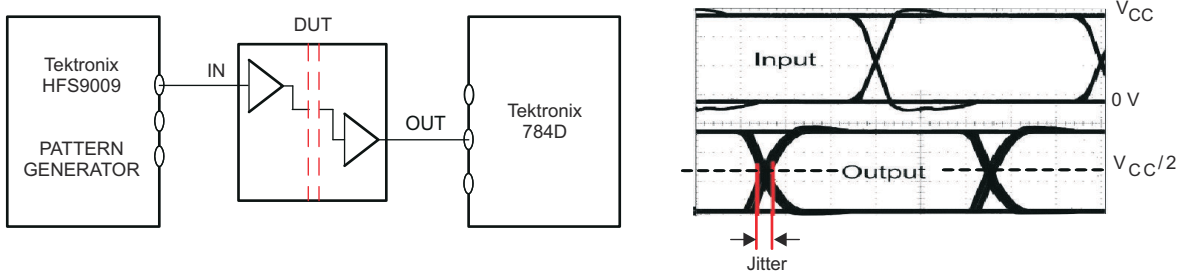
- A. $C_L =$ 15 pF and includes instrumentation and fixture capacitance within \pm 20%.

Figure 6-2. Failsafe Delay Time Test Circuit and Voltage Waveforms



- A. $C_L =$ 15 pF and includes instrumentation and fixture capacitance within \pm 20%.

Figure 6-3. Common-Mode Transient Immunity Test Circuit



PRBS bit pattern run length is $2^{16} - 1$. Transition time is 800 ps.

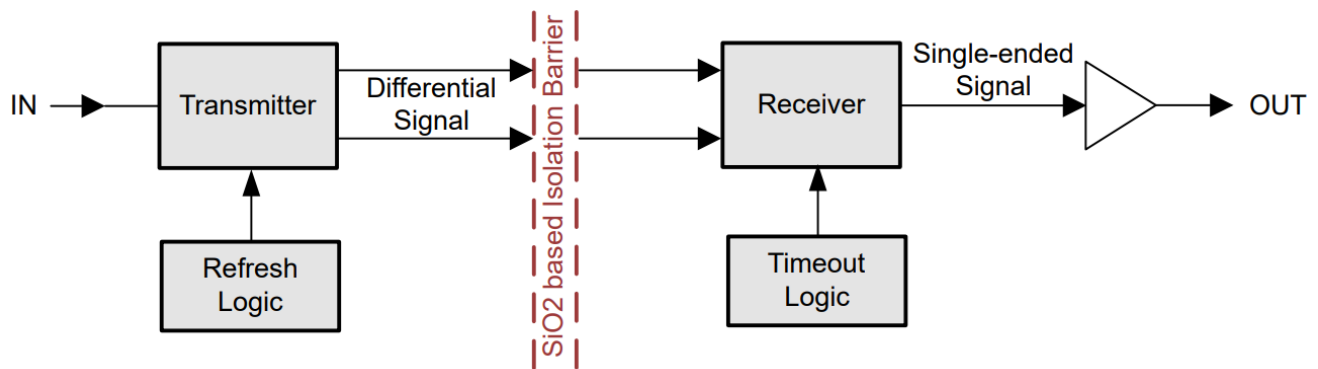
Figure 6-4. Peak-to-Peak Eye-Pattern Jitter Test Circuit and Voltage Waveform

7 Detailed Description

7.1 Overview

The ISO722x family of devices transmit digital data across a silicon dioxide based isolation barrier. The digital input signal (IN) of the device is sampled by a transmitter and at every data edge the transmitter sends a corresponding differential signal across the isolation barrier. When the input signal is static, the refresh logic periodically sends the necessary differential signal from the transmitter. On the other side of the isolation barrier, the receiver converts the differential signal into a single-ended signal which is output on the OUT pin through a buffer. If the receiver does not receive a data or refresh signal, the timeout logic detects the loss of signal or power from the input side and drives the output to the default level.

7.2 Functional Block Diagram



7.3 Feature Description

The following table provides an overview of the device features.

Table 7-1. Device Features

| PART NUMBER | MAXIMUM SIGNALING RATE | INPUT THRESHOLD | CHANNEL DIRECTION |
|-------------|------------------------|------------------------------------|---------------------|
| ISO7220A | 1 Mbps | ≅ 1.5 V (TTL) (CMOS compatible) | Same direction |
| ISO7220B | 5 Mbps | ≅ 1.5 V (TTL) (CMOS compatible) | |
| ISO7220C | 25 Mbps | ≅ 1.5 V (TTL) (CMOS compatible) | |
| ISO7220M | 150 Mbps | $V_{CC}/2$ (CMOS) | |
| ISO7221A | 1 Mbps | ≅ 1.5 V (TTL) (CMOS compatible) | Opposite directions |
| ISO7221B | 5 Mbps | ≅ 1.5 V (TTL) (CMOS compatible) | |
| ISO7221C | 25 Mbps | ≅ 1.5 V (TTL) (CMOS compatible) | |
| ISO7221M | 150 Mbps | $V_{CC}/2$ (CMOS) | |

7.4 Device Functional Modes

The ISO7220x and ISO7221x family of devices functional modes are listed in [Table 7-2](#).

Table 7-2. ISO7220x or ISO7221x Function Table

| INPUT SIDE V_{CC} ⁽¹⁾ | OUTPUT SIDE V_{CC} | INPUT (IN) | OUTPUT (OUT) |
|------------------------------------|----------------------|------------|--------------|
| PU | PU | H | H |
| | | L | L |
| | | Open | H |
| PD | PU | X | H |
| X | PD | X | Undetermined |

(1) PU = Powered Up ($V_{CC} \geq 3.0$ V), PD = Powered Down ($V_{CC} \leq 2.5$ V), X = Irrelevant, H = High Level, L = Low Level

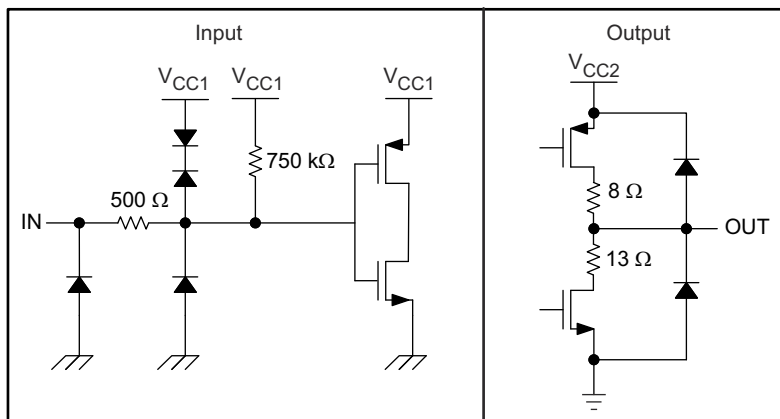


Figure 7-1. Device I/O Schematics

8 Application and Implementation

Note

Information in the following applications sections is not part of the TI component specification, and TI does not warrant its accuracy or completeness. TI's customers are responsible for determining suitability of components for their purposes, as well as validating and testing their design implementation to confirm system functionality.

8.1 Application Information

The ISO7220x and ISO7221x family devices use single-ended TTL or CMOS-logic switching technology. The supply voltage range is from 3 V (2.8 V for C-grade) to 5.5 V for both supplies, V_{CC1} and V_{CC2} . When designing with digital isolators, because of the single-ended design structure, digital isolators do not conform to any specific interface standard and are only intended for isolating single-ended CMOS or TTL digital signal lines. The isolator is typically placed between the data controller (that is, μ C or UART), and a data converter or a line transceiver, regardless of the interface type or standard.

8.2 Typical Application

The ISO7221x family of devices can be used with Texas Instruments' mixed signal micro-controller, digital-to-analog converter, transformer driver, and voltage regulator to create an isolated 4- to 20-mA current loop.

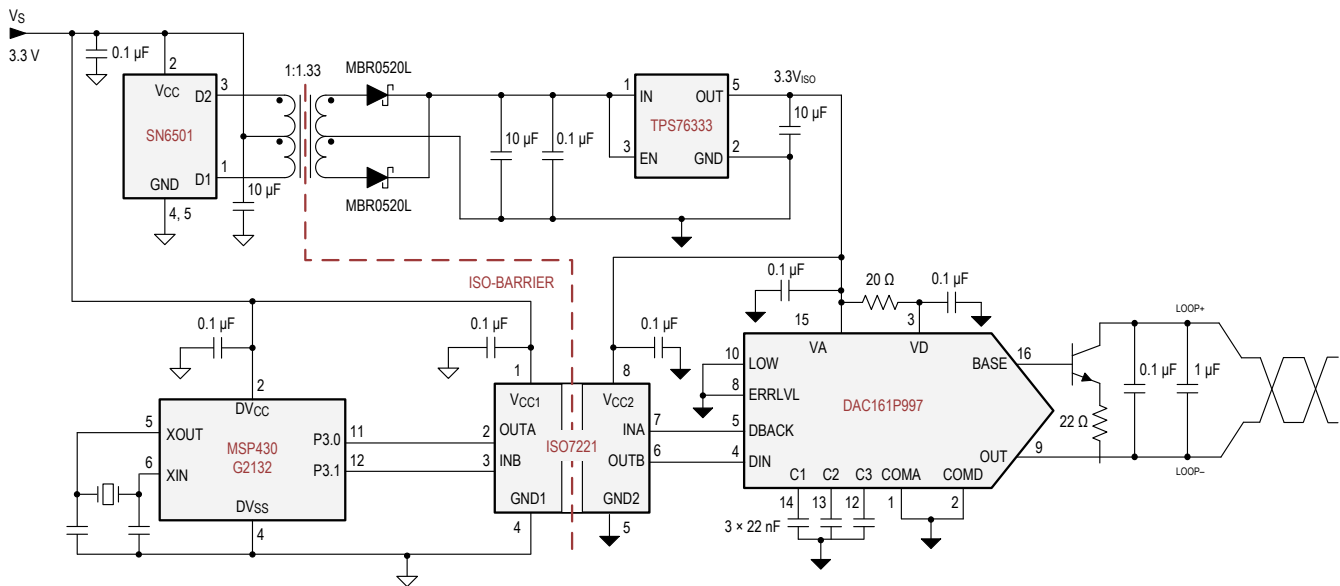


Figure 8-1. Isolated 4- to 20-mA Current Loop

8.2.1 Design Requirements

Unlike optocouplers, which require external components to improve performance, provide bias (or limit current), the ISO7220x and ISO7221x devices require only two external bypass capacitors to operate.

8.2.2 Detailed Design Procedure

Figure 8-2 and Figure 8-3 show the hookup of a typical ISO7220x and ISO7221x circuit. The only external components are two bypass capacitors.

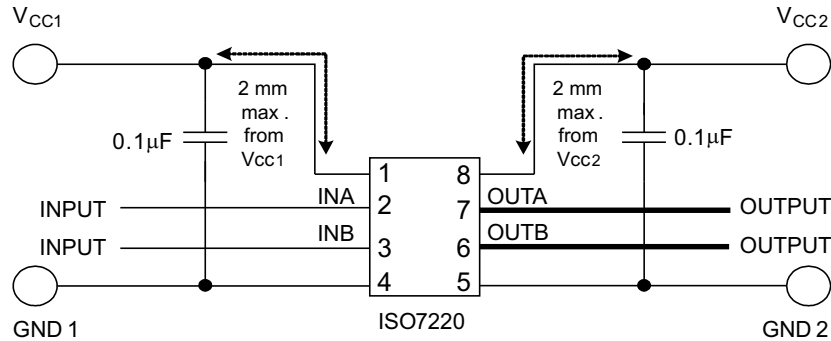


Figure 8-2. Typical ISO7220x Circuit Hook-Up

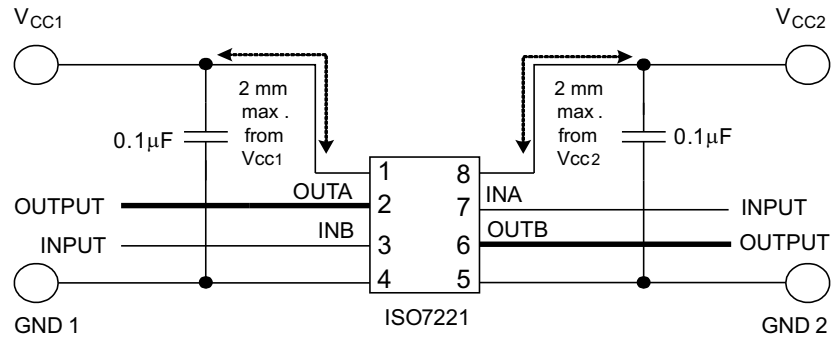


Figure 8-3. Typical ISO7221x Circuit Hook-Up

8.2.3 Insulation Lifetime

At maximum working voltage, the isolation barrier of the ISO72x and ISO72xM family of devices has more than 28 years of life.

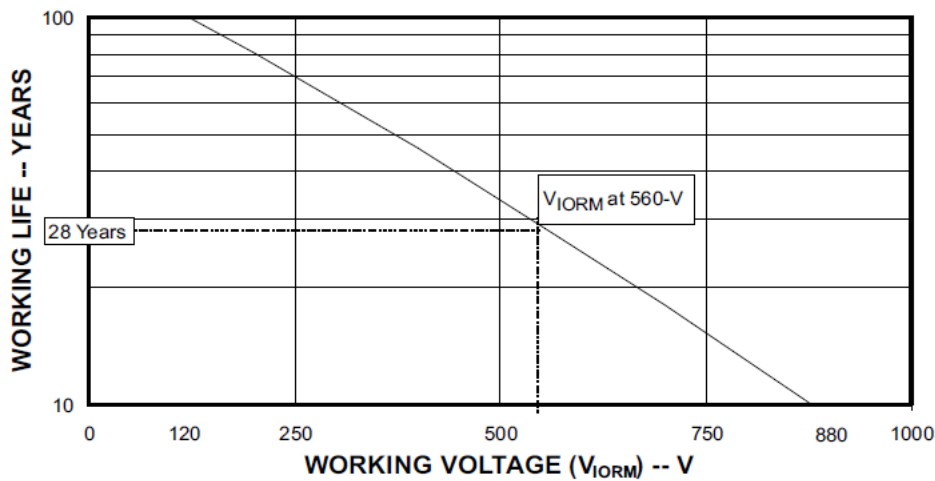


Figure 8-4. Insulation Lifetime Projection

8.3 Power Supply Recommendations

To help provide reliable operation at all data rates and supply voltages, a 0.1- μ F bypass capacitor is recommended at input and output supply pins (V_{CC1} and V_{CC2}). The capacitors must be placed as close to the supply pins as possible. If only a single primary-side power supply is available in an application, isolated power can be generated for the secondary-side with the help of a transformer driver such as Texas Instruments SN6501 device. For such applications, detailed power supply design and transformer selection recommendations are available in [SN6501 Transformer Driver for Isolated Power Supplies](#).

8.4 Layout

8.4.1 Layout Guidelines

A minimum of four layers are required to accomplish a low EMI PCB design (see [Figure 8-5](#)). Layer stacking must be in the following order (top-to-bottom): high-speed signal layer, ground plane, power plane and low-frequency signal layer.

- Route the high-speed traces on the top layer to avoid the use of vias (and the introduction of the inductances) and allow for clean interconnects between the isolator and the transmitter and receiver circuits of the data link.
- Place a solid ground plane next to the high-speed signal layer to establish controlled impedance for transmission line interconnects and provide an excellent low-inductance path for the return current flow.
- Place the power plane next to the ground plane to create additional high-frequency bypass capacitance of approximately 100 pF/in².
- Route the slower speed control signals on the bottom layer to allow for greater flexibility as these signal links typically have margin to tolerate discontinuities such as vias.

If an additional supply voltage plane or signal layer is needed, add a second power or ground plane system to the stack to keep the planes symmetrical. Adding a second plane system to the stack makes the stack mechanically stable and prevents warping. The power and ground plane of each power system can be placed closer together, thus increasing the high-frequency bypass capacitance significantly.

For detailed layout recommendations, refer to the [Digital Isolator Design Guide](#).

8.4.1.1 PCB Material

For digital circuit boards operating at less than 150 Mbps, (or rise and fall times greater than 1 ns), and trace lengths of up to 10 inches, use standard FR-4 UL94V-0 printed circuit board. This PCB is preferred over cheaper alternatives because of lower dielectric losses at high frequencies, less moisture absorption, greater strength and stiffness, and the self-extinguishing flammability-characteristics.

8.4.2 Layout Example

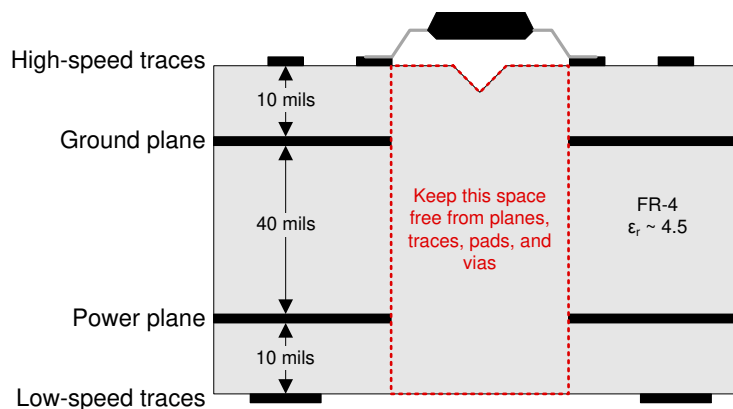


Figure 8-5. Recommended Layer Stack

9 Device and Documentation Support

9.1 Device Support

9.1.1 Development Support

For development support, refer to:

- [AC-mains LED Lighting with DALI DMX512 & Power Line Communications Reference Design](#)
- [Industrial Servo Drive and AC Inverter Drive Reference Design](#)
- [Low-Cost Single/Dual-Phase Isolated Electricity Measurement Reference Design](#)
- [Noise Tolerant Capacitive Touch HMI Reference Design](#)
- [Type 2 PoE PSE, 6kV Lightning Surge Reference Design](#)

9.2 Documentation Support

9.2.1 Related Documentation

For related documentation, see the following:

- Texas Instruments, [DAC161P997 Single-Wire 16-bit DAC for 4- to 20-mA Loops data sheet](#)
- Texas Instruments, [Digital Isolator Design Guide](#)
- Texas Instruments, [Isolation Glossary](#)
- Texas Instruments, [MSP430G2x32 Mixed Signal Microcontroller data sheet](#)
- Texas Instruments, [SN6501 Transformer Driver for Isolated Power Supplies data sheet](#)
- Texas Instruments, [TPS763xx Low-Power 150-mA Low-Dropout Linear Regulators data sheet](#)

9.3 Related Links

The table below lists quick access links. Categories include technical documents, support and community resources, tools and software, and quick access to sample or buy.

Table 9-1. Related Links

| PARTS | PRODUCT FOLDER | ORDER NOW | TECHNICAL DOCUMENTS | TOOLS & SOFTWARE | SUPPORT & COMMUNITY |
|----------|----------------------------|----------------------------|----------------------------|----------------------------|----------------------------|
| ISO7220A | Click here | Click here | Click here | Click here | Click here |
| ISO7220B | Click here | Click here | Click here | Click here | Click here |
| ISO7220C | Click here | Click here | Click here | Click here | Click here |
| ISO7220M | Click here | Click here | Click here | Click here | Click here |
| ISO7221A | Click here | Click here | Click here | Click here | Click here |
| ISO7221B | Click here | Click here | Click here | Click here | Click here |
| ISO7221C | Click here | Click here | Click here | Click here | Click here |
| ISO7221M | Click here | Click here | Click here | Click here | Click here |

9.4 Receiving Notification of Documentation Updates

To receive notification of documentation updates, navigate to the device product folder on [ti.com](#). Click on *Notifications* to register and receive a weekly digest of any product information that has changed. For change details, review the revision history included in any revised document.

9.5 Support Resources

[TI E2E™ support forums](#) are an engineer's go-to source for fast, verified answers and design help — straight from the experts. Search existing answers or ask your own question to get the quick design help you need.

Linked content is provided "AS IS" by the respective contributors. They do not constitute TI specifications and do not necessarily reflect TI's views; see TI's [Terms of Use](#).

9.6 Trademarks

Profibus™ is a trademark of Profibus.

DeviceNet™ is a trademark of Open DeviceNet Vendors Association.

TI E2E™ is a trademark of Texas Instruments.
All trademarks are the property of their respective owners.

9.7 Electrostatic Discharge Caution



This integrated circuit can be damaged by ESD. Texas Instruments recommends that all integrated circuits be handled with appropriate precautions. Failure to observe proper handling and installation procedures can cause damage.

ESD damage can range from subtle performance degradation to complete device failure. Precision integrated circuits may be more susceptible to damage because very small parametric changes could cause the device not to meet its published specifications.

9.8 Glossary

[TI Glossary](#) This glossary lists and explains terms, acronyms, and definitions.

10 Revision History

NOTE: Page numbers for previous revisions may differ from page numbers in the current version.

| Changes from Revision R (October 2024) to Revision S (January 2025) | Page |
|---|-------------|
| • Updated the numbering format for tables, figures, and cross-references throughout the document..... | 1 |
| • Updated the first page graphic and description to improve accuracy..... | 1 |
| • Updated the links in the <i>Related Documentation</i> section..... | 27 |

| Changes from Revision Q (August 2018) to Revision R (October 2024) | Page |
|--|-------------|
| • Updated reference from capacitive isolation to isolation barrier throughout the document..... | 1 |
| • Updated the numbering format for tables, figures, and cross-references throughout the document..... | 1 |
| • Updated Thermal Characteristics, Safety Limiting Values, and Thermal Derating Curves to provide more accurate system-level thermal calculations..... | 4 |
| • Updated electrical and switching characteristics to match device performance..... | 13 |

| Changes from Revision P (August 2018) to Revision Q (January 2021) | Page |
|---|-------------|
| • Removed nominal specifications in the RECOMMENDED OPERATING CONDITIONS table..... | 5 |

11 Mechanical, Packaging, and Orderable Information

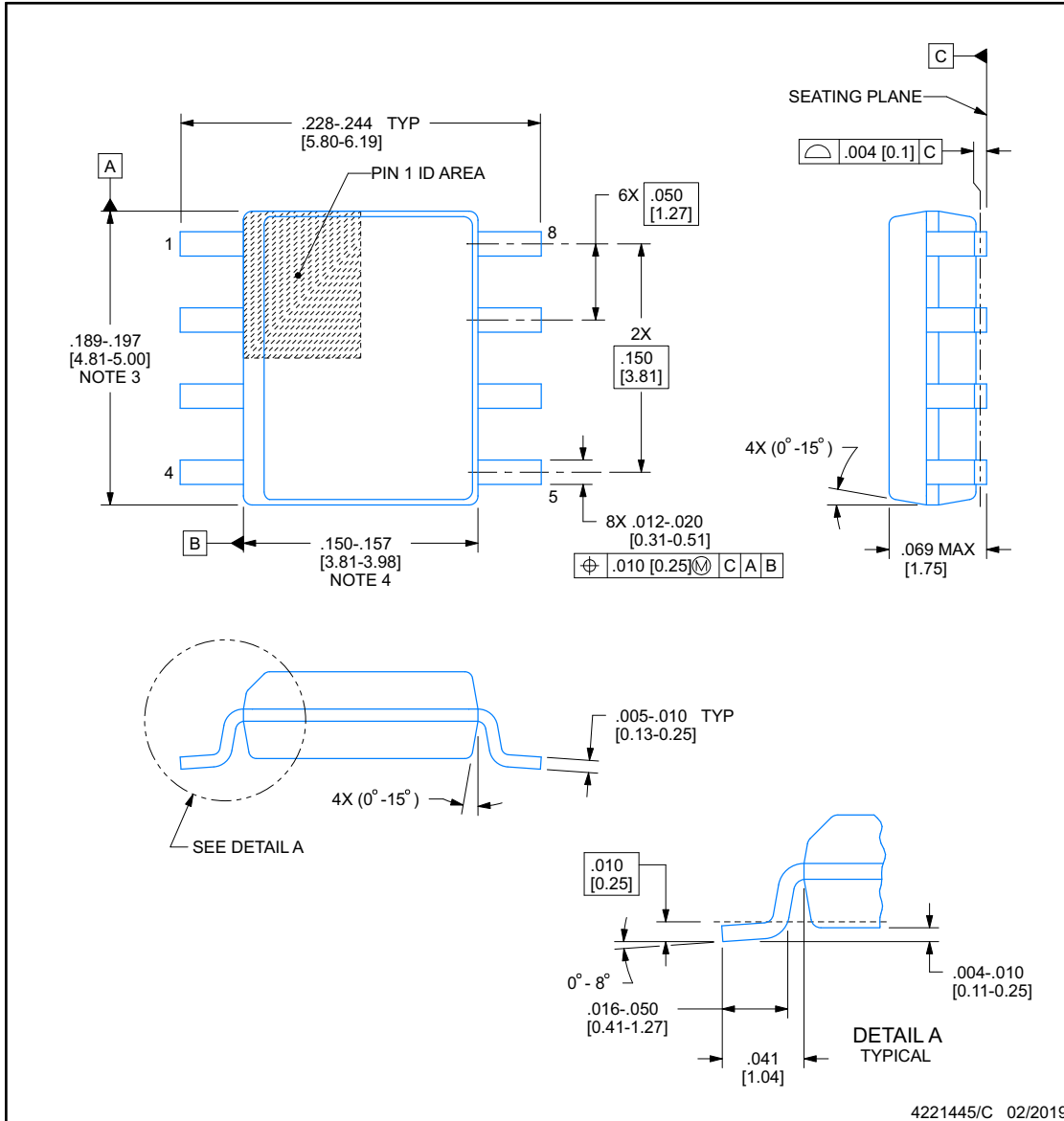
The following pages include mechanical, packaging, and orderable information. This information is the most current data available for the designated devices. This data is subject to change without notice and revision of this document. For browser-based versions of this data sheet, refer to the left-hand navigation.



D0008B

PACKAGE OUTLINE
SOIC - 1.75 mm max height

SMALL OUTLINE INTEGRATED CIRCUIT



NOTES:

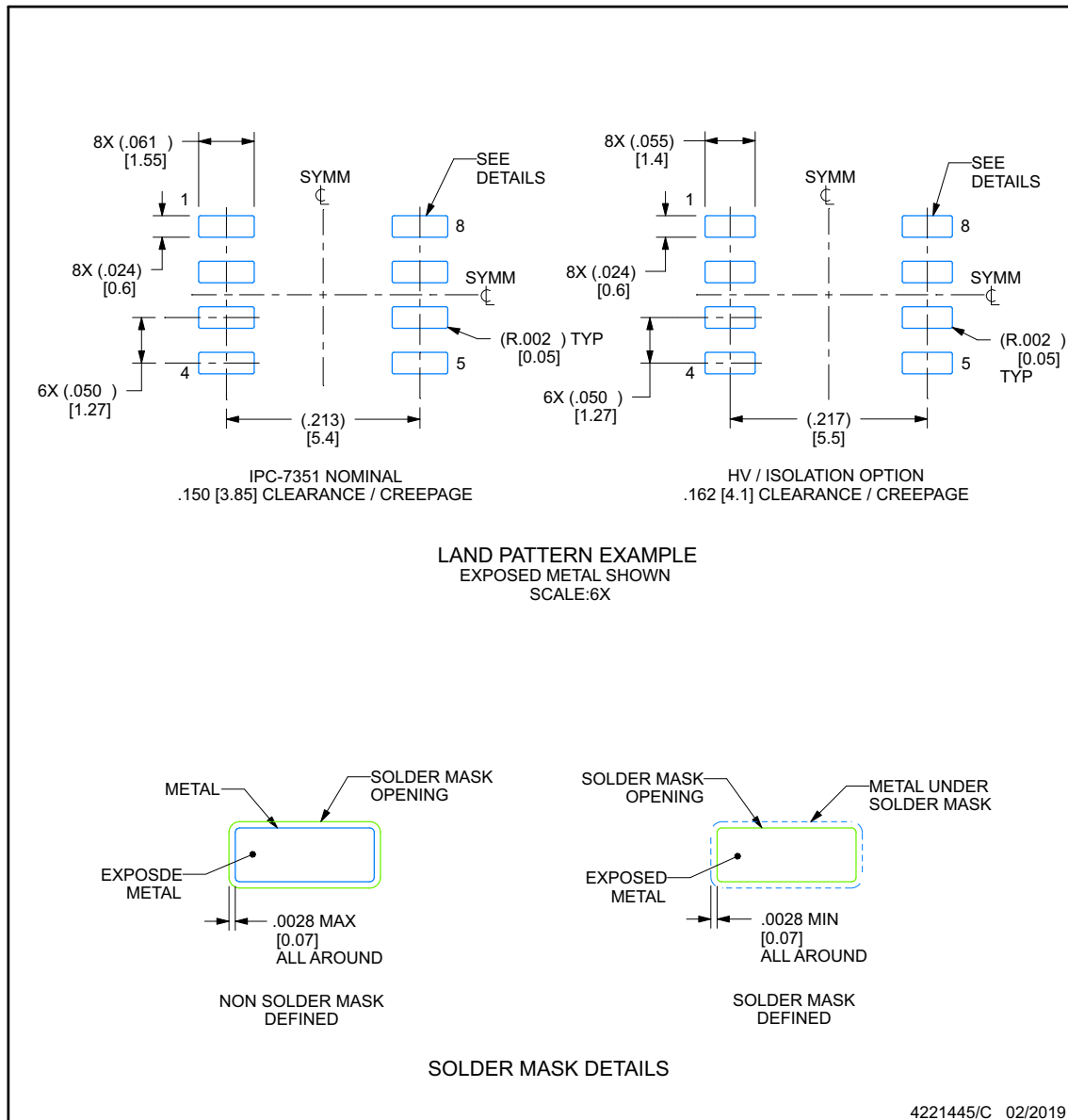
1. Linear dimensions are in inches [millimeters]. Dimensions in parenthesis are for reference only. Controlling dimensions are in inches. Dimensioning and tolerancing per ASME Y14.5M.
2. This drawing is subject to change without notice.
3. This dimension does not include mold flash, protrusions, or gate burrs. Mold flash, protrusions, or gate burrs shall not exceed $.006$ [0.15], per side.
4. This dimension does not include interlead flash.
5. Reference JEDEC registration MS-012, variation AA.

EXAMPLE BOARD LAYOUT

D0008B

SOIC - 1.75 mm max height

SMALL OUTLINE INTEGRATED CIRCUIT



NOTES: (continued)

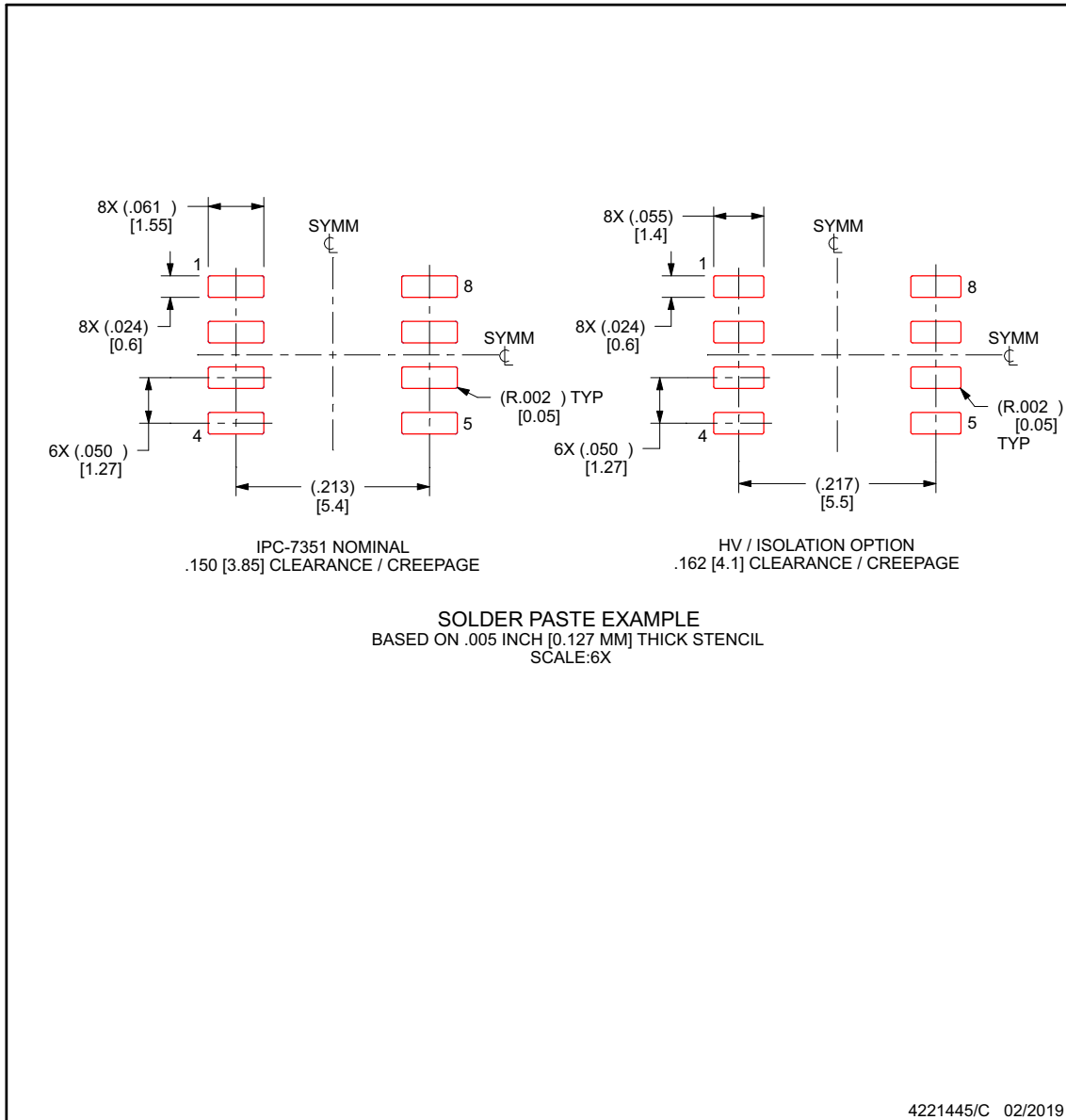
6. Publication IPC-7351 may have alternate designs.
7. Solder mask tolerances between and around signal pads can vary based on board fabrication site.

EXAMPLE STENCIL DESIGN

D0008B

SOIC - 1.75 mm max height

SMALL OUTLINE INTEGRATED CIRCUIT



NOTES: (continued)

- 8. Laser cutting apertures with trapezoidal walls and rounded corners may offer better paste release. IPC-7525 may have alternate design recommendations.
- 9. Board assembly site may have different recommendations for stencil design.

PACKAGING INFORMATION

| Orderable Device | Status (1) | Package Type | Package Drawing | Pins | Package Qty | Eco Plan (2) | Lead finish/ Ball material (6) | MSL Peak Temp (3) | Op Temp (°C) | Device Marking (4/5) | Samples |
|------------------|---------------|--------------|-----------------|------|-------------|-----------------|--------------------------------------|----------------------|--------------|-------------------------|---------|
| ISO7220AD | OBSOLETE | SOIC | D | 8 | | TBD | Call TI | Call TI | -40 to 125 | I7220A | |
| ISO7220ADR | ACTIVE | SOIC | D | 8 | 2500 | RoHS & Green | NIPDAU | Level-1-260C-UNLIM | -40 to 125 | I7220A | Samples |
| ISO7220ADRG4 | ACTIVE | SOIC | D | 8 | 2500 | RoHS & Green | NIPDAU | Level-1-260C-UNLIM | -40 to 125 | I7220A | Samples |
| ISO7220BD | OBSOLETE | SOIC | D | 8 | | TBD | Call TI | Call TI | -40 to 125 | I7220B | |
| ISO7220BDR | ACTIVE | SOIC | D | 8 | 2500 | RoHS & Green | NIPDAU | Level-1-260C-UNLIM | -40 to 125 | I7220B | Samples |
| ISO7220CD | OBSOLETE | SOIC | D | 8 | | TBD | Call TI | Call TI | -40 to 125 | I7220C | |
| ISO7220CDR | ACTIVE | SOIC | D | 8 | 2500 | RoHS & Green | NIPDAU | Level-1-260C-UNLIM | -40 to 125 | I7220C | Samples |
| ISO7220MD | OBSOLETE | SOIC | D | 8 | | TBD | Call TI | Call TI | -40 to 125 | I7220M | |
| ISO7220MDR | ACTIVE | SOIC | D | 8 | 2500 | RoHS & Green | NIPDAU | Level-1-260C-UNLIM | -40 to 125 | I7220M | Samples |
| ISO7220MDRG4 | ACTIVE | SOIC | D | 8 | 2500 | RoHS & Green | NIPDAU | Level-1-260C-UNLIM | -40 to 125 | I7220M | Samples |
| ISO7221AD | OBSOLETE | SOIC | D | 8 | | TBD | Call TI | Call TI | -40 to 125 | I7221A | |
| ISO7221ADR | ACTIVE | SOIC | D | 8 | 2500 | RoHS & Green | NIPDAU | Level-1-260C-UNLIM | -40 to 125 | I7221A | Samples |
| ISO7221ADRG4 | ACTIVE | SOIC | D | 8 | 2500 | RoHS & Green | NIPDAU | Level-1-260C-UNLIM | -40 to 125 | I7221A | Samples |
| ISO7221BDR | ACTIVE | SOIC | D | 8 | 2500 | RoHS & Green | NIPDAU | Level-1-260C-UNLIM | -40 to 125 | I7221B | Samples |
| ISO7221BDRG4 | ACTIVE | SOIC | D | 8 | 2500 | RoHS & Green | NIPDAU | Level-1-260C-UNLIM | -40 to 125 | I7221B | Samples |
| ISO7221CD | OBSOLETE | SOIC | D | 8 | | TBD | Call TI | Call TI | -40 to 125 | I7221C | |
| ISO7221CDR | ACTIVE | SOIC | D | 8 | 2500 | RoHS & Green | NIPDAU | Level-1-260C-UNLIM | -40 to 125 | I7221C | Samples |
| ISO7221CDRG4 | ACTIVE | SOIC | D | 8 | 2500 | RoHS & Green | NIPDAU | Level-1-260C-UNLIM | -40 to 125 | I7221C | Samples |
| ISO7221MD | OBSOLETE | SOIC | D | 8 | | TBD | Call TI | Call TI | -40 to 125 | I7221M | |
| ISO7221MDR | ACTIVE | SOIC | D | 8 | 2500 | RoHS & Green | NIPDAU | Level-1-260C-UNLIM | -40 to 125 | I7221M | Samples |

(1) The marketing status values are defined as follows:

ACTIVE: Product device recommended for new designs.

LIFEBUY: TI has announced that the device will be discontinued, and a lifetime-buy period is in effect.

NRND: Not recommended for new designs. Device is in production to support existing customers, but TI does not recommend using this part in a new design.

PREVIEW: Device has been announced but is not in production. Samples may or may not be available.

OBSOLETE: TI has discontinued the production of the device.

⁽²⁾ **RoHS:** TI defines "RoHS" to mean semiconductor products that are compliant with the current EU RoHS requirements for all 10 RoHS substances, including the requirement that RoHS substance do not exceed 0.1% by weight in homogeneous materials. Where designed to be soldered at high temperatures, "RoHS" products are suitable for use in specified lead-free processes. TI may reference these types of products as "Pb-Free".

RoHS Exempt: TI defines "RoHS Exempt" to mean products that contain lead but are compliant with EU RoHS pursuant to a specific EU RoHS exemption.

Green: TI defines "Green" to mean the content of Chlorine (Cl) and Bromine (Br) based flame retardants meet JS709B low halogen requirements of <=1000ppm threshold. Antimony trioxide based flame retardants must also meet the <=1000ppm threshold requirement.

⁽³⁾ **MSL, Peak Temp.** - The Moisture Sensitivity Level rating according to the JEDEC industry standard classifications, and peak solder temperature.

⁽⁴⁾ There may be additional marking, which relates to the logo, the lot trace code information, or the environmental category on the device.

⁽⁵⁾ Multiple Device Markings will be inside parentheses. Only one Device Marking contained in parentheses and separated by a "~" will appear on a device. If a line is indented then it is a continuation of the previous line and the two combined represent the entire Device Marking for that device.

⁽⁶⁾ **Lead finish/Ball material** - Orderable Devices may have multiple material finish options. Finish options are separated by a vertical ruled line. Lead finish/Ball material values may wrap to two lines if the finish value exceeds the maximum column width.

Important Information and Disclaimer:The information provided on this page represents TI's knowledge and belief as of the date that it is provided. TI bases its knowledge and belief on information provided by third parties, and makes no representation or warranty as to the accuracy of such information. Efforts are underway to better integrate information from third parties. TI has taken and continues to take reasonable steps to provide representative and accurate information but may not have conducted destructive testing or chemical analysis on incoming materials and chemicals. TI and TI suppliers consider certain information to be proprietary, and thus CAS numbers and other limited information may not be available for release.

In no event shall TI's liability arising out of such information exceed the total purchase price of the TI part(s) at issue in this document sold by TI to Customer on an annual basis.

OTHER QUALIFIED VERSIONS OF ISO7220A, ISO7221A, ISO7221C :

- Automotive : [ISO7220A-Q1](#), [ISO7221A-Q1](#), [ISO7221C-Q1](#)

NOTE: Qualified Version Definitions:

- Automotive - Q100 devices qualified for high-reliability automotive applications targeting zero defects

TAPE AND REEL INFORMATION

QUADRANT ASSIGNMENTS FOR PIN 1 ORIENTATION IN TAPE


*All dimensions are nominal

| Device | Package Type | Package Drawing | Pins | SPQ | Reel Diameter (mm) | Reel Width W1 (mm) | A0 (mm) | B0 (mm) | K0 (mm) | P1 (mm) | W (mm) | Pin1 Quadrant |
|------------|--------------|-----------------|------|------|--------------------|--------------------|---------|---------|---------|---------|--------|---------------|
| ISO7220ADR | SOIC | D | 8 | 2500 | 330.0 | 12.4 | 6.4 | 5.2 | 2.1 | 8.0 | 12.0 | Q1 |
| ISO7220BDR | SOIC | D | 8 | 2500 | 330.0 | 12.4 | 6.4 | 5.2 | 2.1 | 8.0 | 12.0 | Q1 |
| ISO7220CDR | SOIC | D | 8 | 2500 | 330.0 | 12.4 | 6.4 | 5.2 | 2.1 | 8.0 | 12.0 | Q1 |
| ISO7220MDR | SOIC | D | 8 | 2500 | 330.0 | 12.4 | 6.4 | 5.2 | 2.1 | 8.0 | 12.0 | Q1 |
| ISO7221ADR | SOIC | D | 8 | 2500 | 330.0 | 12.4 | 6.4 | 5.2 | 2.1 | 8.0 | 12.0 | Q1 |
| ISO7221BDR | SOIC | D | 8 | 2500 | 330.0 | 12.4 | 6.4 | 5.2 | 2.1 | 8.0 | 12.0 | Q1 |
| ISO7221CDR | SOIC | D | 8 | 2500 | 330.0 | 12.4 | 6.4 | 5.2 | 2.1 | 8.0 | 12.0 | Q1 |
| ISO7221MDR | SOIC | D | 8 | 2500 | 330.0 | 12.4 | 6.4 | 5.2 | 2.1 | 8.0 | 12.0 | Q1 |

TAPE AND REEL BOX DIMENSIONS


*All dimensions are nominal

| Device | Package Type | Package Drawing | Pins | SPQ | Length (mm) | Width (mm) | Height (mm) |
|------------|--------------|-----------------|------|------|-------------|------------|-------------|
| ISO7220ADR | SOIC | D | 8 | 2500 | 350.0 | 350.0 | 43.0 |
| ISO7220BDR | SOIC | D | 8 | 2500 | 350.0 | 350.0 | 43.0 |
| ISO7220CDR | SOIC | D | 8 | 2500 | 350.0 | 350.0 | 43.0 |
| ISO7220MDR | SOIC | D | 8 | 2500 | 350.0 | 350.0 | 43.0 |
| ISO7221ADR | SOIC | D | 8 | 2500 | 350.0 | 350.0 | 43.0 |
| ISO7221BDR | SOIC | D | 8 | 2500 | 350.0 | 350.0 | 43.0 |
| ISO7221CDR | SOIC | D | 8 | 2500 | 350.0 | 350.0 | 43.0 |
| ISO7221MDR | SOIC | D | 8 | 2500 | 350.0 | 350.0 | 43.0 |



D0008A

PACKAGE OUTLINE

SOIC - 1.75 mm max height

SMALL OUTLINE INTEGRATED CIRCUIT



4214825/C 02/2019

NOTES:

- Linear dimensions are in inches [millimeters]. Dimensions in parenthesis are for reference only. Controlling dimensions are in inches. Dimensioning and tolerancing per ASME Y14.5M.
- This drawing is subject to change without notice.
- This dimension does not include mold flash, protrusions, or gate burrs. Mold flash, protrusions, or gate burrs shall not exceed .006 [0.15] per side.
- This dimension does not include interlead flash.
- Reference JEDEC registration MS-012, variation AA.

EXAMPLE BOARD LAYOUT

D0008A

SOIC - 1.75 mm max height

SMALL OUTLINE INTEGRATED CIRCUIT



LAND PATTERN EXAMPLE
 EXPOSED METAL SHOWN
 SCALE:8X



SOLDER MASK DETAILS

4214825/C 02/2019

NOTES: (continued)

- 6. Publication IPC-7351 may have alternate designs.
- 7. Solder mask tolerances between and around signal pads can vary based on board fabrication site.

EXAMPLE STENCIL DESIGN

D0008A

SOIC - 1.75 mm max height

SMALL OUTLINE INTEGRATED CIRCUIT



SOLDER PASTE EXAMPLE
BASED ON .005 INCH [0.125 MM] THICK STENCIL
SCALE:8X

4214825/C 02/2019

NOTES: (continued)

8. Laser cutting apertures with trapezoidal walls and rounded corners may offer better paste release. IPC-7525 may have alternate design recommendations.
9. Board assembly site may have different recommendations for stencil design.

IMPORTANT NOTICE AND DISCLAIMER

TI PROVIDES TECHNICAL AND RELIABILITY DATA (INCLUDING DATA SHEETS), DESIGN RESOURCES (INCLUDING REFERENCE DESIGNS), APPLICATION OR OTHER DESIGN ADVICE, WEB TOOLS, SAFETY INFORMATION, AND OTHER RESOURCES "AS IS" AND WITH ALL FAULTS, AND DISCLAIMS ALL WARRANTIES, EXPRESS AND IMPLIED, INCLUDING WITHOUT LIMITATION ANY IMPLIED WARRANTIES OF MERCHANTABILITY, FITNESS FOR A PARTICULAR PURPOSE OR NON-INFRINGEMENT OF THIRD PARTY INTELLECTUAL PROPERTY RIGHTS.

These resources are intended for skilled developers designing with TI products. You are solely responsible for (1) selecting the appropriate TI products for your application, (2) designing, validating and testing your application, and (3) ensuring your application meets applicable standards, and any other safety, security, regulatory or other requirements.

These resources are subject to change without notice. TI grants you permission to use these resources only for development of an application that uses the TI products described in the resource. Other reproduction and display of these resources is prohibited. No license is granted to any other TI intellectual property right or to any third party intellectual property right. TI disclaims responsibility for, and you will fully indemnify TI and its representatives against, any claims, damages, costs, losses, and liabilities arising out of your use of these resources.

TI's products are provided subject to [TI's Terms of Sale](#) or other applicable terms available either on [ti.com](https://www.ti.com) or provided in conjunction with such TI products. TI's provision of these resources does not expand or otherwise alter TI's applicable warranties or warranty disclaimers for TI products.

TI objects to and rejects any additional or different terms you may have proposed.

Mailing Address: Texas Instruments, Post Office Box 655303, Dallas, Texas 75265

Copyright © 2025, Texas Instruments Incorporated