

ISO7821x High-Performance, 8000V_{PK} Reinforced Dual Channel Digital Isolator

1 Features

- Signaling Rate: Up to 100Mbps
- Wide Supply Range: 2.25V to 5.5V
- 2.25V to 5.5V Level Translation
- Wide Temperature Range: –55°C to 125°C
- Low Power Consumption, Typical 1.8mA per Channel at 1Mbps
- Low Propagation Delay: 11ns Typical (5V Supplies)
- Industry leading CMTI(Min): ±100kV/μs
- Robust Electromagnetic Compatibility (EMC)
- System-Level ESD, EFT, and Surge Immunity
- Low Emissions
- Isolation Barrier Life: > 25 Years
- SOIC-16 Wide Body (DW) and Extra-Wide Body (DWW) Package Options
- Safety and Regulatory Approvals:
 - 8000V_{PK} Reinforced Isolation per DIN V VDE V 0884-10 (VDE V 0884-10):2006-12
 - 5.7kV_{RMS} Isolation for 1 minute per UL 1577
 - CSA Component Acceptance Notice 5A, IEC 60950-1 and IEC 60601-1 End Equipment Standards
 - CQC Certification per GB4943.1-2011
 - TUV Certification per EN 61010-1 and EN 60950-1
 - All DW Package Certifications Complete; DWW Package Certifications Complete per UL, TUV and Planned for VDE, CSA, and CQC

2 Applications

- [Industrial Automation](#)
- [Motor Control](#)
- [Power Supplies](#)
- [Solar Inverters](#)
- [Medical Equipment](#)
- [Hybrid Electric Vehicles](#)

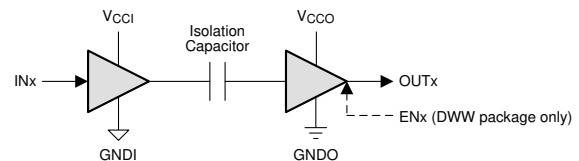
3 Description

The ISO7821 is a high-performance, dual-channel digital isolator with 8000V_{PK} isolation voltage. This device has reinforced isolation certifications according to VDE, CSA, CQC, and TUV. The isolator provides high electromagnetic immunity and low emissions at low power consumption, while isolating CMOS or LVCMOS digital I/Os. Each isolation channel has a logic input and output buffer separated by silicon dioxide (SiO₂) insulation barrier. ISO7821 has one forward and one reverse-direction channel. If the input power or signal is lost, default output is 'high' for the ISO7821 and 'low' for the ISO7821F device. Used in conjunction with isolated power supplies, this device prevents noise currents on a data bus or other circuits from entering the local ground and interfering with or damaging sensitive circuitry. Through innovative chip design and layout techniques, electromagnetic compatibility of ISO7821 has been significantly enhanced to ease system-level ESD, EFT, Surge and Emissions compliance. ISO7821 is available in 16-pin SOIC wide-body (DW) and extra-wide body (DWW) packages. The DWW package option comes with enable pins which can be used to put the respective outputs in high impedance for multi-controller driving applications and to reduce power consumption.

Package Information

PART NUMBER	PACKAGE (1)	BODY SIZE (NOM)	PACKAGE SIZE(2)
ISO7821, ISO7821F	DW (SOIC, 16)	10.30mm × 7.50mm	10.30mm × 10.30mm
	DWW (Extra wide SOIC, 16)	10.30mm × 14.0mm	10.30mm × 17.25mm

- (1) For all available packages, see the orderable addendum at the end of the data sheet.
- (2) The package size (length × width) is a nominal value and includes pins, where applicable.



- A. V_{CCI} and GNDI are supply and ground connections respectively for the input channels.
- B. V_{CCO} and GNDO are supply and ground connections respectively for the output channels.

Simplified Schematic



Table of Contents

1 Features	1	6 Parameter Measurement Information	16
2 Applications	1	7 Detailed Description	18
3 Description	1	7.1 Overview.....	18
4 Pin Configuration and Functions	3	7.2 Functional Block Diagram.....	18
5 Specifications	4	7.3 Feature Description.....	19
5.1 Absolute Maximum Ratings.....	4	7.4 Device Functional Modes.....	20
5.2 ESD Ratings.....	4	8 Application and Implementation	21
5.3 Recommended Operating Conditions.....	4	8.1 Application Information.....	21
5.4 Thermal Information.....	5	8.2 Typical Application.....	21
5.5 Power Dissipation Characteristics.....	5	8.3 Power Supply Recommendations.....	23
5.6 Electrical Characteristics, 5 V.....	6	8.4 Layout.....	23
5.7 Electrical Characteristics, 3.3 V.....	7	9 Device and Documentation Support	25
5.8 Electrical Characteristics, 2.5 V.....	8	9.1 Related Documentation.....	25
5.9 Power Ratings.....	8	9.2 Receiving Notification of Documentation Updates....	25
5.10 Insulation Specifications.....	8	9.3 Support Resources.....	25
5.11 Safety-Related Certifications.....	11	9.4 Trademarks.....	25
5.12 Safety Limiting Values.....	12	9.5 Electrostatic Discharge Caution.....	25
5.13 Switching Characteristics, 5 V.....	13	9.6 Glossary.....	25
5.14 Switching Characteristics, 3.3 V.....	13	10 Revision History	25
5.15 Switching Characteristics, 2.5 V.....	14	11 Mechanical, Packaging, and Orderable Information	28
5.16 Typical Characteristics.....	15		

4 Pin Configuration and Functions

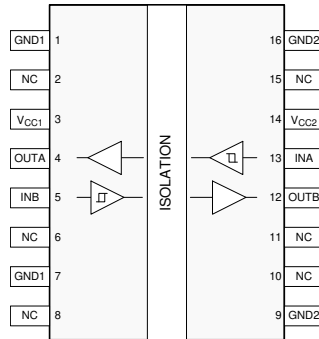


Figure 4-1. DW Package 16-Pin (SOIC) Top View

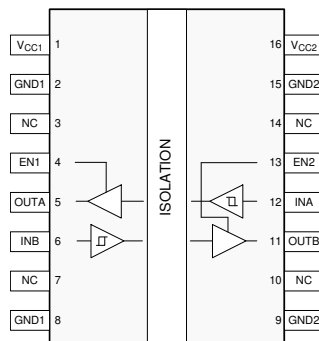


Figure 4-2. DWW Package 16-Pin (SOIC) Top View

Table 4-1. Pin Functions

NAME	PIN		Type	DESCRIPTION
	NO. DW	NO. DWW		
GND1	1, 7	2,8	–	Ground connection for V_{CC1}
GND2	9, 16	9,15	–	Ground connection for V_{CC2}
INA	13	12	I	Input, channel A
INB	5	6	I	Input, channel B
NC	2, 6, 8, 10, 11, 15	3,7,10,14	–	Not connected
OUTA	4	5	O	Output, channel A
OUTB	12	11	O	Output, channel B
V_{CC1}	3	1	–	Power supply, V_{CC1}
V_{CC2}	14	16	–	Power supply, V_{CC2}
EN1	–	4	I	Output enable 1. Output pins on side 1 are enabled when EN1 is high or open and in high-impedance state when EN1 is low.
EN2	–	13	I	Output enable 2. Output pins on side 2 are enabled when EN2 is high or open and in high-impedance state when EN2 is low.

5 Specifications

5.1 Absolute Maximum Ratings

(1)		MIN	MAX	UNIT
Supply voltage ⁽²⁾	V_{CC1}, V_{CC2}	-0.5	6	V
Voltage	INx, OUTx	-0.5	$V_{CC} + 0.5$ ⁽³⁾	V
Output Current	I_O	-15	15	mA
Surge Immunity			12.8	kV
Storage temperature, T_{stg}		-65	150	°C

- (1) Operation outside the *Absolute Maximum Ratings* may cause permanent device damage. *Absolute Maximum Ratings* do not imply functional operation of the device at these or any other conditions beyond those listed under *Recommended Operating Conditions*. If used outside the *Recommended Operating Conditions* but within the *Absolute Maximum Ratings*, the device may not be fully functional, and this may affect device reliability, functionality, performance, and shorten the device lifetime.
- (2) All voltage values except differential I/O bus voltages are with respect to the local ground terminal (GND1 or GND2) and are peak voltage values.
- (3) Maximum voltage must not exceed 6 V.

5.2 ESD Ratings

			VALUE	UNIT
V_{ESD}	Electrostatic discharge	Human body model (HBM), per ANSI/ESDA/JEDEC JS-001, all pins ⁽¹⁾	±6000	V
		Charged device model (CDM), per JEDEC specification JESD22-C101, all pins ⁽²⁾	±1500	V

- (1) JEDEC document JEP155 states that 500-V HBM allows safe manufacturing with a standard ESD control process.
- (2) JEDEC document JEP157 states that 250-V CDM allows safe manufacturing with a standard ESD control process.

5.3 Recommended Operating Conditions

		MIN	TYP	MAX	UNIT
V_{CC1}, V_{CC2}	Supply voltage	2.25		5.5	V
I_{OH}	High-level output current	V_{CCO} ⁽²⁾ = 5 V		-4	mA
		V_{CCO} = 3.3 V		-2	
		V_{CCO} = 2.5 V		-1	
I_{OL}	Low-level output current	V_{CCO} = 5 V		4	mA
		V_{CCO} = 3.3 V		2	
		V_{CCO} = 2.5 V		1	
V_{IH}	High-level input voltage	$0.7 \times V_{CCI}$ ⁽²⁾		V_{CCI}	V
V_{IL}	Low-level input voltage	0		$0.3 \times V_{CCI}$	V
DR	Signaling rate	0		100	Mbps
T_J	Junction temperature ⁽¹⁾	-55		150	°C
T_A	Ambient temperature	-55	25	125	°C

- (1) To maintain the recommended operating conditions for T_J , see the [Thermal Information](#) table.
- (2) V_{CCI} = Input-side V_{CC} ; V_{CCO} = Output-side V_{CC} .

5.4 Thermal Information

THERMAL METRIC ⁽¹⁾		ISO7821		UNIT
		DW (SOIC)	DWW (SOIC)	
		16 PINS	16-PINS	
$R_{\theta JA}$	Junction-to-ambient thermal resistance	84.7	84.7	°C/W
$R_{\theta JC(top)}$	Junction-to-case(top) thermal resistance	47.3	46.0	°C/W
$R_{\theta JB}$	Junction-to-board thermal resistance	49.4	54.5	°C/W
ψ_{JT}	Junction-to-top characterization parameter	19.1	18.5	°C/W
ψ_{JB}	Junction-to-board characterization parameter	48.8	53.8	°C/W
$R_{\theta JC(bottom)}$	Junction-to-case(bottom) thermal resistance	n/a	n/a	°C/W

(1) For more information about traditional and new thermal metrics, see the [Semiconductor and IC Package Thermal Metrics](#) application note.

5.5 Power Dissipation Characteristics

		VALUE	UNIT
P_D	Maximum power dissipation by ISO7821	100	mW
P_{D1}	Maximum power dissipation by side-1 of ISO7821 x	50	
P_{D2}	Maximum power dissipation by side-2 of ISO7821 x	50	

$V_{CC1} = V_{CC2} = 5.5\text{ V}$, $T_J = 150^\circ\text{C}$,
 $C_L = 15\text{ pF}$, input a 50 MHz 50% duty cycle square wave

5.6 Electrical Characteristics, 5 V

$V_{CC1} = V_{CC2} = 5\text{ V} \pm 10\%$ (over recommended operating conditions unless otherwise noted)

PARAMETER		TEST CONDITIONS	MIN	TYP	MAX	UNIT
V_{OH}	High-level output voltage	$I_{OH} = -4\text{ mA}$; see Figure 6-1	$V_{CCO}^{(1)} - 0.4$	$V_{CCO} - 0.2$		V
V_{OL}	Low-level output voltage	$I_{OL} = 4\text{ mA}$; see Figure 6-1		0.2	0.4	V
$V_{I(HYS)}$	Input threshold voltage hysteresis		$0.1 \times V_{CCO}^{(1)}$			V
I_{IH}	High-level input current	$V_I = V_{CCI}^{(1)}$ at INx or ENx			10	μA
I_{IL}	Low-level input current	$V_I = 0\text{ V}$ at INx or ENx	-10			
CMTI	Common-mode transient immunity	$V_I = V_{CCI}$ or 0 V; see Figure 6-4	100			kV/μs
Supply Current - ISO7821DW and ISO7821FDW						
I_{CC1}, I_{CC2}	DC Signal	$V_I = 0\text{ V}$ (ISO7821F), $V_I = V_{CCI}^{(1)}$ (ISO7821)		1.2	1.7	mA
I_{CC1}, I_{CC2}	DC Signal	$V_I = V_{CCI}^{(1)}$ (ISO7821F), $V_I = 0\text{ V}$ (ISO7821)		2.4	3.4	mA
I_{CC1}, I_{CC2}	1 Mbps	All channels switching with square wave clock input; $C_L = 15\text{ pF}$		1.8	2.6	mA
I_{CC1}, I_{CC2}	10 Mbps			2.4	3.2	mA
I_{CC1}, I_{CC2}	100 Mbps			7.5	9.3	mA
Supply Current - ISO7821DWW and ISO7821FDWW						
I_{CC1}, I_{CC2}	Disable	$EN1 = EN2 = 0\text{ V}$, $V_I = 0\text{ V}$ (ISO7821F), $V_I = V_{CCI}^{(1)}$ (ISO7821)		0.7	1.1	mA
I_{CC1}, I_{CC2}	Disable	$EN1 = EN2 = 0\text{ V}$, $V_I = V_{CCI}^{(1)}$ (ISO7821F), $V_I = 0\text{ V}$ (ISO7821)		1.8	2.9	mA
I_{CC1}, I_{CC2}	DC Signal	$V_I = 0\text{ V}$ (ISO7821F), $V_I = V_{CCI}^{(1)}$ (ISO7821)		1.2	1.7	mA
I_{CC1}, I_{CC2}	DC Signal	$V_I = V_{CCI}^{(1)}$ (ISO7821F), $V_I = 0\text{ V}$ (ISO7821)		2.4	3.5	mA
I_{CC1}, I_{CC2}	1 Mbps	All channels switching with square wave clock input; $C_L = 15\text{ pF}$		1.9	2.7	mA
I_{CC1}, I_{CC2}	10 Mbps			2.5	3.2	mA
I_{CC1}, I_{CC2}	100 Mbps			7.7	9.3	mA

(1) V_{CCI} = Input-side V_{CC} ; V_{CCO} = Output-side V_{CC} .

5.7 Electrical Characteristics, 3.3 V

$V_{CC1} = V_{CC2} = 3.3 \text{ V} \pm 10\%$ (over recommended operating conditions unless otherwise noted)

PARAMETER		TEST CONDITIONS	MIN	TYP	MAX	UNIT
V_{OH}	High-level output voltage	$I_{OH} = -2 \text{ mA}$; see Figure 6-1	$V_{CCO}^{(1)} - 0.4$	$V_{CCO} - 0.2$		V
V_{OL}	Low-level output voltage	$I_{OL} = 2 \text{ mA}$; see Figure 6-1		0.2	0.4	V
$V_{I(HYS)}$	Input threshold voltage hysteresis		$0.1 \times V_{CCO}$			V
I_{IH}	High-level input current	$V_{IH} = V_{CCI}^{(1)}$ at INx or ENx			10	μA
I_{IL}	Low-level input current	$V_{IL} = 0 \text{ V}$ at INx or ENx	-10			
CMTI	Common-mode transient immunity	$V_I = V_{CCI}$ or 0 V; see Figure 6-4	100			kV/μs
Supply Current - ISO7821DW and ISO7821FDW						
I_{CC1}, I_{CC2}	DC Signal	$V_I = 0 \text{ V}$ (ISO7821F), $V_I = V_{CCI}^{(1)}$ (ISO7821)		1.2	1.7	mA
I_{CC1}, I_{CC2}	DC Signal	$V_I = V_{CCI}^{(1)}$ (ISO7821F), $V_I = 0 \text{ V}$ (ISO7821)		2.4	3.4	mA
I_{CC1}, I_{CC2}	1 Mbps	All channels switching with square wave clock input; $C_L = 15 \text{ pF}$		1.8	2.6	mA
I_{CC1}, I_{CC2}	10 Mbps			2.2	3	mA
I_{CC1}, I_{CC2}	100 Mbps			5.8	7.1	mA
Supply Current - ISO7821DWW and ISO7821FDWW						
I_{CC1}, I_{CC2}	Disable	$EN1 = EN2 = 0 \text{ V}$, $V_I = 0 \text{ V}$ (ISO7821F), $V_I = V_{CCI}^{(1)}$ (ISO7821)		0.7	1.1	mA
I_{CC1}, I_{CC2}	Disable	$EN1 = EN2 = 0 \text{ V}$, $V_I = V_{CCI}^{(1)}$ (ISO7821F), $V_I = 0 \text{ V}$ (ISO7821)		1.8	2.9	mA
I_{CC1}, I_{CC2}	DC Signal	$V_I = 0 \text{ V}$ (ISO7821F), $V_I = V_{CCI}^{(1)}$ (ISO7821)		1.2	1.7	mA
I_{CC1}, I_{CC2}	DC Signal	$V_I = V_{CCI}^{(1)}$ (ISO7821F), $V_I = 0 \text{ V}$ (ISO7821)		2.4	3.5	mA
I_{CC1}, I_{CC2}	1 Mbps	All channels switching with square wave clock input; $C_L = 15 \text{ pF}$		1.9	2.6	mA
I_{CC1}, I_{CC2}	10 Mbps			2.3	3	mA
I_{CC1}, I_{CC2}	100 Mbps			5.9	7.1	mA

(1) V_{CCI} = Input-side V_{CC} ; V_{CCO} = Output-side V_{CC} .

5.8 Electrical Characteristics, 2.5 V

$V_{CC1} = V_{CC2} = 2.5 \text{ V} \pm 10\%$ (over recommended operating conditions unless otherwise noted)

PARAMETER		TEST CONDITIONS	MIN	TYP	MAX	UNIT
V_{OH}	High-level output voltage	$I_{OH} = -1 \text{ mA}$; see Figure 6-1	$V_{CCO}^{(1)} - 0.4$	$V_{CCO} - 0.2$		V
V_{OL}	Low-level output voltage	$I_{OL} = 1 \text{ mA}$; see Figure 6-1		0.2	0.4	V
$V_{I(HYS)}$	Input threshold voltage hysteresis		$0.1 \times V_{CCO}$			V
I_{IH}	High-level input current	$V_I = V_{CCI}^{(1)}$ at INx or ENx			10	μA
I_{IL}	Low-level input current	$V_I = 0 \text{ V}$ at INx or ENx	-10			
CMTI	Common-mode transient immunity	$V_I = V_{CCI}$ or 0 V; see Figure 6-4	100			kV/μs
Supply Current - ISO7821DW and ISO7821FDW						
I_{CC1}, I_{CC2}	DC Signal	$V_I = 0 \text{ V}$ (ISO7821F), $V_I = V_{CCI}^{(1)}$ (ISO7821)		1.2	1.7	mA
I_{CC1}, I_{CC2}	DC Signal	$V_I = V_{CCI}^{(1)}$ (ISO7821F), $V_I = 0 \text{ V}$ (ISO7821)		2.4	3.4	mA
I_{CC1}, I_{CC2}	1 Mbps	All channels switching with square wave clock input; $C_L = 15 \text{ pF}$		1.8	2.6	mA
I_{CC1}, I_{CC2}	10 Mbps			2.1	2.8	mA
I_{CC1}, I_{CC2}	100 Mbps			4.9	5.9	mA
Supply Current - ISO7821DWW and ISO7821FDWW						
I_{CC1}, I_{CC2}	Disable	$EN1 = EN2 = 0 \text{ V}$, $V_I = 0 \text{ V}$ (ISO7821F), $V_I = V_{CCI}^{(1)}$ (ISO7821)		0.7	1.1	mA
I_{CC1}, I_{CC2}	Disable	$EN1 = EN2 = 0 \text{ V}$, $V_I = V_{CCI}^{(1)}$ (ISO7821F), $V_I = 0 \text{ V}$ (ISO7821)		1.8	2.9	mA
I_{CC1}, I_{CC2}	DC Signal	$V_I = 0 \text{ V}$ (ISO7821F), $V_I = V_{CCI}^{(1)}$ (ISO7821)		1.2	1.7	mA
I_{CC1}, I_{CC2}	DC Signal	$V_I = V_{CCI}^{(1)}$ (ISO7821F), $V_I = 0 \text{ V}$ (ISO7821)		2.4	3.5	mA
I_{CC1}, I_{CC2}	1 Mbps	All channels switching with square wave clock input; $C_L = 15 \text{ pF}$		1.9	2.6	mA
I_{CC1}, I_{CC2}	10 Mbps			2.2	2.9	mA
I_{CC1}, I_{CC2}	100 Mbps			5	6	mA

(1) V_{CCI} = Input-side V_{CC} ; V_{CCO} = Output-side V_{CC} .

5.9 Power Ratings

Table 5-1. IEC 60664-1 Ratings Table

PARAMETER		TEST CONDITIONS	SPECIFICATION
Material group			I
Overvoltage category / Installation classification	DW package	Rated mains voltage $\leq 600 \text{ V}_{RMS}$	I-IV
		Rated mains voltage $\leq 1000 \text{ V}_{RMS}$	I-III
	DWW package	Rated mains voltage $\leq 1000 \text{ V}_{RMS}$	I-IV

5.10 Insulation Specifications

Table 5-2. Insulation Characteristics

PARAMETER		TEST CONDITIONS	SPECIFICATION		UNIT
			DW	DWW	
DTI	Distance through the insulation	Minimum internal gap (internal clearance)	21	21	μm
V _{IOWM}	Maximum working isolation voltage	Time dependent dielectric breakdown (TDDB) test	1500	2000	V _{RMS}
			2121	2828	V _{DC}
DIN V VDE V 0884-10 (VDE V 0884-10):2006-12					
V _{IOTM}	Maximum transient isolation voltage	V _{TEST} = V _{IOTM} t = 60 sec (qualification) t = 1 sec (100% production)	8000	8000	V _{PK}
V _{IOSM}	Maximum surge isolation voltage	Test method per IEC 60065, 1.2/50 μs waveform, V _{TEST} = 1.6 × V _{IOSM} = 12800 V _{PK} ⁽¹⁾ (qualification)	8000	8000	V _{PK}
V _{IORM}	Maximum repetitive peak isolation voltage		2121	2828	V _{PK}
V _{PR}	Input-to-output test voltage	Method a, After Input/Output safety test subgroup 2/3, V _{PR} = V _{IORM} × 1.2, t = 10 s, Partial discharge < 5 pC	2545	3394	V _{PK}
		Method a, After environmental tests subgroup 1, V _{PR} = V _{IORM} × 1.6, t = 10 s, Partial Discharge < 5 pC	3394	4525	
		Method b1, After environmental tests subgroup 1, V _{PR} = V _{IORM} × 1.875, t = 1 s (100% Production test) Partial discharge < 5 pC	3977	5303	
R _S	Isolation resistance	V _{IO} = 500 V at T _S	>10 ⁹	>10 ⁹	Ω
	Pollution degree		2	2	
	Climatic category		55/125/21	55/125/21	
UL 1577					
V _{ISO}	Withstanding isolation voltage	V _{TEST} = V _{ISO} = 5700 V _{RMS} , t = 60 sec (qualification); V _{TEST} = 1.2 × V _{ISO} = 6840 V _{RMS} , t = 1 sec (100% production)	5700	5700	V _{RMS}

(1) Testing is carried out in air or oil to determine the intrinsic surge immunity of the isolation barrier.

Table 5-3. Package Insulation and Safety-Related Specifications

(over recommended operating conditions (unless otherwise noted))

PARAMETER		TEST CONDITIONS	MIN	TYP	MAX	UNIT
CLR	External clearance		Shortest terminal-to-terminal distance through air	DW-16	8.15	
		DWW-16		14.5	15.0	
CPG	External creepage	Shortest terminal-to-terminal distance across the package surface	DW-16	8.15		mm
			DWW-16	14.5	15.0	
CTI	Comparative tracking index	DIN EN 60112 (VDE 0303-11); IEC 60112; UL 746A	600			V
R _{IO}	Isolation resistance, input to output ⁽¹⁾	V _{IO} = 500 V, T _A = 25°C	10 ¹²			Ω
		V _{IO} = 500 V, 100°C ≤ T _A ≤ max	10 ¹¹			Ω
C _{IO}	Barrier capacitance, input to output ⁽¹⁾	V _{IO} = 0.4 × sin(2πft), f = 1 MHz	1			pF
C _I	Input capacitance ⁽²⁾	V _I = V _{CC} /2 + 0.4 × sin(2πft), f = 1 MHz, V _{CC} = 5 V	2			pF

(1) All pins on each side of the barrier tied together creating a two-terminal device.

(2) Measured from input pin to ground.

Note

Creepage and clearance requirements must be applied according to the specific equipment isolation standards of an application. Care must be taken to maintain the creepage and clearance distance of a board design to verify that the mounting pads of the isolator on the printed-circuit board do not reduce this distance.

Creepage and clearance on a printed-circuit board become equal in certain cases. Techniques such as inserting grooves and/or ribs on a printed circuit board are used to help increase these specifications.

5.11 Safety-Related Certifications

DW package certifications are complete; DWW package certifications completed for UL and TUV and planned for VDE, CSA, and CQC.

Table 5-4. Regulatory Information

VDE	CSA	UL	CQC	TUV
Certified according to DIN V VDE V 0884-10 (VDE V 0884-10):2006-12 and DIN EN 60950-1 (VDE 0805 Teil 1):2011-01	Approved under CSA Component Acceptance Notice 5A, IEC 60950-1 and IEC 60601-1	Recognized under UL 1577 Component Recognition Program	Certified according to GB 4943.1-2011	Certified according to EN 61010-1:2010 (3rd Ed) and EN 60950-1:2006/A11:2009/A1:2010/A12:2011/A2:2013
Reinforced insulation Maximum transient isolation voltage, 8000 V _{PK} ; Maximum repetitive peak isolation voltage, 2121 V _{PK} (DW), 2828 V _{PK} (DWW); Maximum surge isolation voltage, 8000 V _{PK}	Reinforced insulation per CSA 60950-1-07+A1+A2 and IEC 60950-1 2nd Ed., 800 V _{RMS} (DW package) and 1450 V _{RMS} (DWW package) max working voltage (pollution degree 2, material group I); 2 MOPP (Means of Patient Protection) per CSA 60601-1:14 and IEC 60601-1 Ed. 3.1, 250 V _{RMS} (354 V _{PK}) max working voltage (DW package)	Single protection, 5700 V _{RMS}	Reinforced Insulation, Altitude ≤ 5000 m, Tropical Climate, 250 V _{RMS} maximum working voltage	5700 V _{RMS} Reinforced insulation per EN 61010-1:2010 (3rd Ed) up to working voltage of 600 V _{RMS} (DW package) and 1000 V _{RMS} (DWW package) 5700 V _{RMS} Reinforced insulation per EN 60950-1:2006/A11:2009/A1:2010/A12:2011/A2:2013 up to working voltage of 800 V _{RMS} (DW package) and 1450 V _{RMS} (DWW package)
Certificate number: 40040142	Master contract number: 220991	File number: E181974	Certificate number: CQC15001121716	Client ID number: 77311

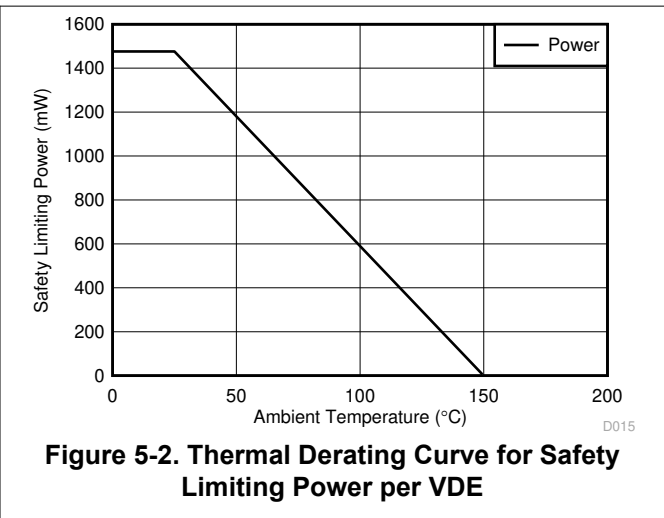
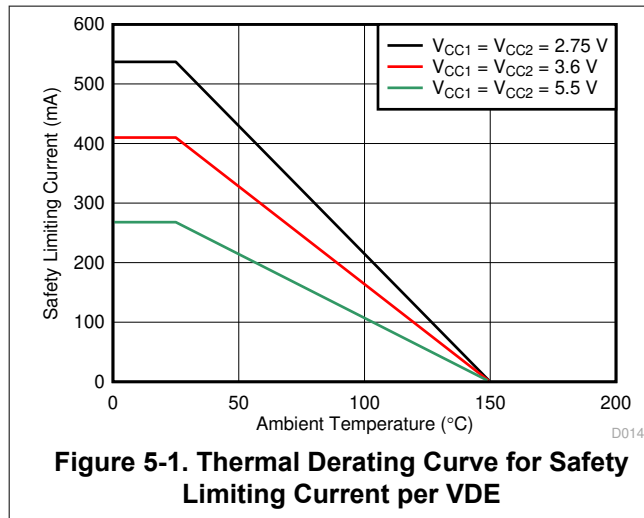
5.12 Safety Limiting Values

Safety limiting intends to prevent potential damage to the isolation barrier upon failure of input or output circuitry. A failure of the I/O can allow low resistance to ground or the supply and, without current limiting, dissipate sufficient power to overheat the die and damage the isolation barrier potentially leading to secondary system failures.

Table 5-5. Safety Limiting

PARAMETER	TEST CONDITIONS	MIN	TYP	MAX	UNIT	
I _S	Safety input, output, or supply current for DW-16 package and DWW-16 Packages	R _{θJA} = 84.7°C/W, V _I = 5.5 V, T _J = 150°C, T _A = 25°C			268	mA
		R _{θJA} = 84.7°C/W, V _I = 3.6 V, T _J = 150°C, T _A = 25°C			410	
		R _{θJA} = 84.7°C/W, V _I = 2.75 V, T _J = 150°C, T _A = 25°C			537	
P _S	Safety input, output, or total power	R _{θJA} = 84.7°C/W, T _J = 150°C, T _A = 25°C			1476	mW
T _S	Maximum safety temperature				150	°C

The maximum safety temperature is the maximum junction temperature specified for the device. The power dissipation and junction-to-air thermal impedance of the device installed in the application hardware determines the junction temperature. The assumed junction-to-air thermal resistance in the [Section 5.4](#) is that of a device installed on a High-K test board for Leaded Surface Mount Packages. The power is the recommended maximum input voltage times the current. The junction temperature is then the ambient temperature plus the power times the junction-to-air thermal resistance.



5.13 Switching Characteristics, 5 V

 $V_{CC1} = V_{CC2} = 5\text{ V} \pm 10\%$ (over recommended operating conditions unless otherwise noted)

PARAMETER		TEST CONDITIONS	MIN	TYP	MAX	UNIT
t_{PLH} , t_{PHL}	Propagation delay time	See Figure 6-1	6	10.7	16	ns
PWD ⁽¹⁾	Pulse width distortion $ t_{PHL} - t_{PLH} $					
$t_{sk(pp)}$ ⁽²⁾	Part-to-part skew time				4.5	ns
t_r	Output signal rise time	See Figure 6-1		2.4	3.9	ns
t_f	Output signal fall time					
t_{PHZ}	Disable propagation delay, high-to-high impedance output for ISO7821DWW and ISO7821FDWW	See Figure 6-2		12	20	ns
t_{PLZ}	Disable propagation delay, low-to-high impedance output for ISO7821DWW and ISO7821FDWW					
t_{PZH}	Enable propagation delay, high impedance-to-high output for ISO7821DWW					
	Enable propagation delay, high impedance-to-high output for ISO7821FDWW					
t_{PZL}	Enable propagation delay, high impedance-to-low output for ISO7821DWW					
	Enable propagation delay, high impedance-to-low output for ISO7821FDWW					
t_{fs}	Default output delay time from input power loss	Measured from the time V_{CC} goes below 1.7 V. See Figure 6-3	0.2	9	μ s	
t_{ie}	Time interval error	$2^{16} - 1$ PRBS data at 100 Mbps	1		ns	

(1) Also known as Pulse Skew.

(2) $t_{sk(pp)}$ is the magnitude of the difference in propagation delay times between any terminals of different devices switching in the same direction while operating at identical supply voltages, temperature, input signals and loads.

5.14 Switching Characteristics, 3.3 V

 $V_{CC1} = V_{CC2} = 3.3\text{ V} \pm 10\%$ (over recommended operating conditions unless otherwise noted)

PARAMETER		TEST CONDITIONS	MIN	TYP	MAX	UNIT
t_{PLH} , t_{PHL}	Propagation delay time	See Figure 6-1	6	10.8	16	ns
PWD ⁽¹⁾	Pulse width distortion $ t_{PHL} - t_{PLH} $					
$t_{sk(pp)}$ ⁽²⁾	Part-to-part skew time				4.5	ns
t_r	Output signal rise time	See Figure 6-1		1.3	3	ns
t_f	Output signal fall time					
t_{PHZ}	Disable propagation delay, high-to-high impedance output for ISO7821DWW and ISO7821FDWW	See Figure 6-2		17	32	ns
t_{PLZ}	Disable propagation delay, low-to-high impedance output for ISO7821DWW and ISO7821FDWW					
t_{PZH}	Enable propagation delay, high impedance-to-high output for ISO7821DWW					
	Enable propagation delay, high impedance-to-high output for ISO7821FDWW					
t_{PZL}	Enable propagation delay, high impedance-to-low output for ISO7821DWW					
	Enable propagation delay, high impedance-to-low output for ISO7821FDWW					
t_{fs}	Default output delay time from input power loss	Measured from the time V_{CC} goes below 1.7 V. See Figure 6-3	0.2	9	μ s	
t_{ie}	Time interval error	$2^{16} - 1$ PRBS data at 100 Mbps	1		ns	

(1) Also known as Pulse Skew.

(2) $t_{sk(pp)}$ is the magnitude of the difference in propagation delay times between any terminals of different devices switching in the same direction while operating at identical supply voltages, temperature, input signals and loads.

5.15 Switching Characteristics, 2.5 V

$V_{CC1} = V_{CC2} = 2.5\text{ V} \pm 10\%$ (over recommended operating conditions unless otherwise noted)

PARAMETER		TEST CONDITIONS	MIN	TYP	MAX	UNIT
t_{PLH}, t_{PHL}	Propagation delay time	See Figure 6-1	7.5	11.7	17.5	ns
PWD ⁽¹⁾	Pulse width distortion $ t_{PHL} - t_{PLH} $		0.7	4.7		
$t_{sk(pp)}$ ⁽²⁾	Part-to-part skew time			4.5		
t_r	Output signal rise time	See Figure 6-1		1.8	3.5	ns
t_f	Output signal fall time			1.8	3.5	
t_{PHZ}	Disable propagation delay, high-to-high impedance output for ISO7821DWW and ISO7821FDWW	See Figure 6-2		22	45	ns
t_{PLZ}	Disable propagation delay, low-to-high impedance output for ISO7821DWW and ISO7821FDWW			22	45	ns
t_{PZH}	Enable propagation delay, high impedance-to-high output for ISO7821DWW			18	45	ns
	Enable propagation delay, high impedance-to-high output for ISO7821FDWW			2	2.5	μs
t_{PZL}	Enable propagation delay, high impedance-to-low output for ISO7821DWW			2	2.5	μs
	Enable propagation delay, high impedance-to-low output for ISO7821FDWW			18	45	ns
t_{fs}	Default output delay time from input power loss	Measured from the time V_{CC} goes below 1.7 V. See Figure 6-3		0.2	9	μs
t_{ie}	Time interval error	$2^{16} - 1$ PRBS data at 100 Mbps		1		ns

- (1) Also known as Pulse Skew.
- (2) $t_{sk(pp)}$ is the magnitude of the difference in propagation delay times between any terminals of different devices switching in the same direction while operating at identical supply voltages, temperature, input signals and loads.

5.16 Typical Characteristics

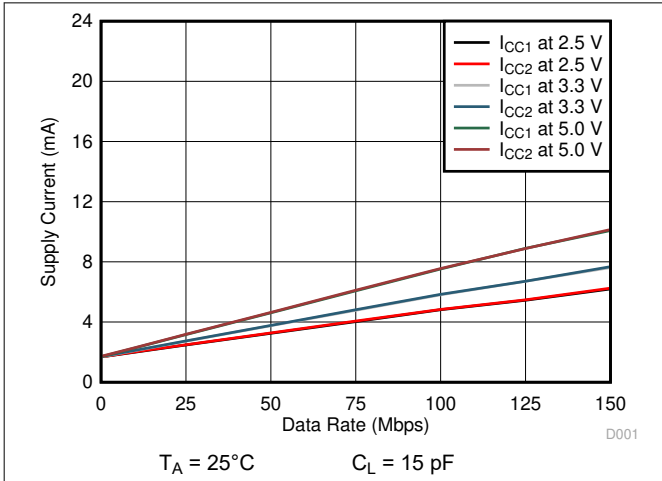


Figure 5-3. Supply Current vs Data Rate (With 15 pF Load)

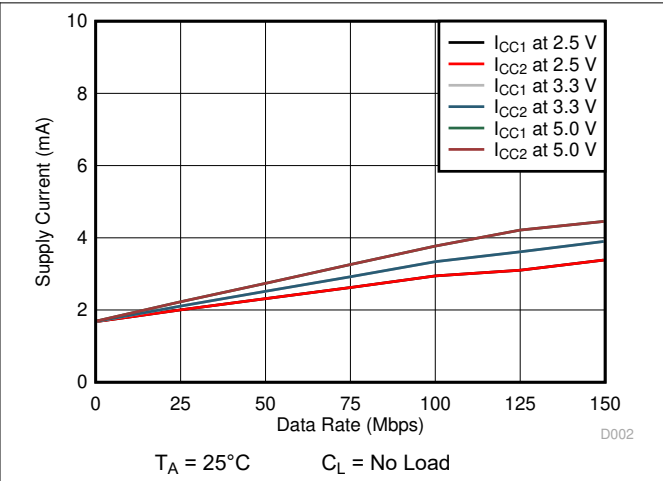


Figure 5-4. Supply Current vs Data Rate (With No Load)

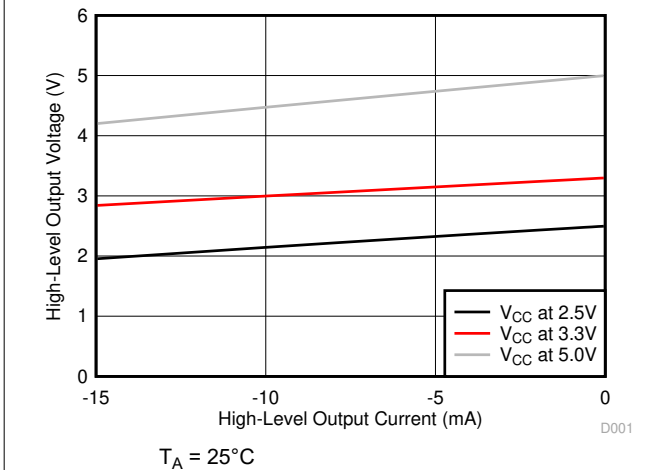


Figure 5-5. High-Level Output Voltage vs High-level Output Current

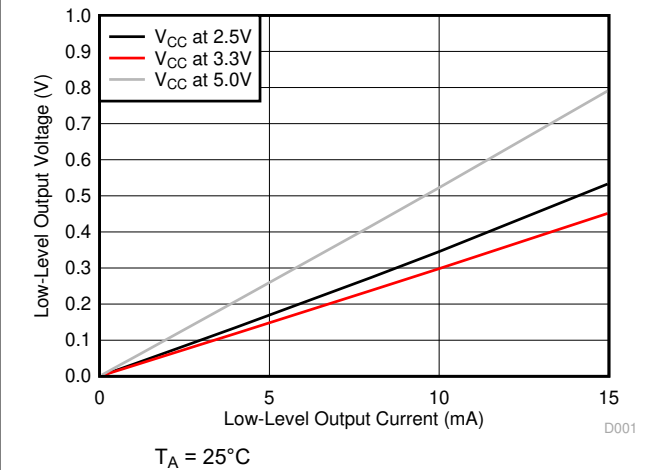


Figure 5-6. Low-Level Output Voltage vs Low-Level Output Current

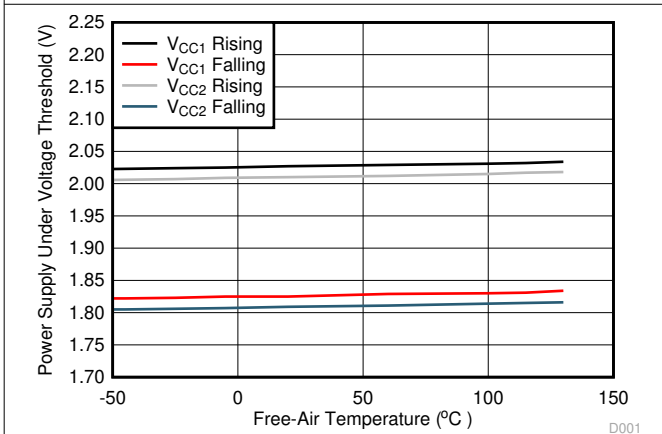


Figure 5-7. Power Supply Undervoltage Threshold vs Free-Air Temperature

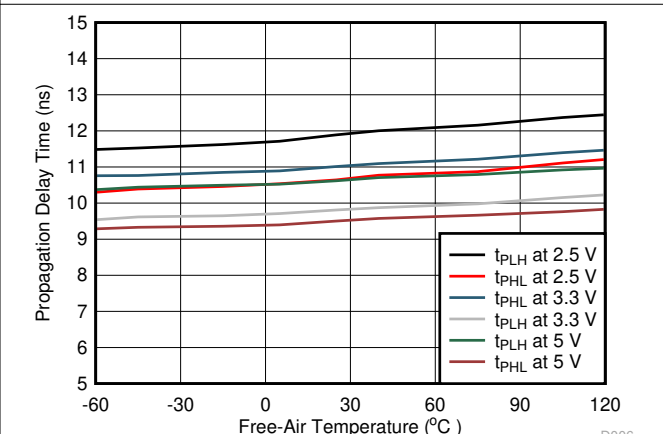
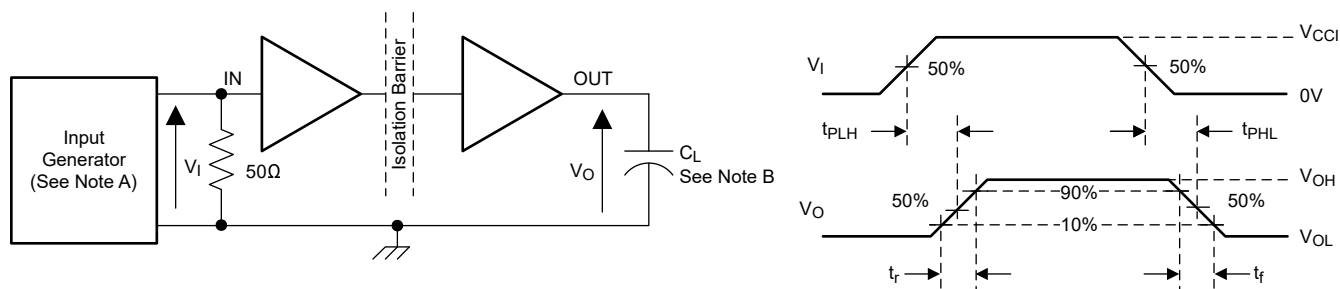


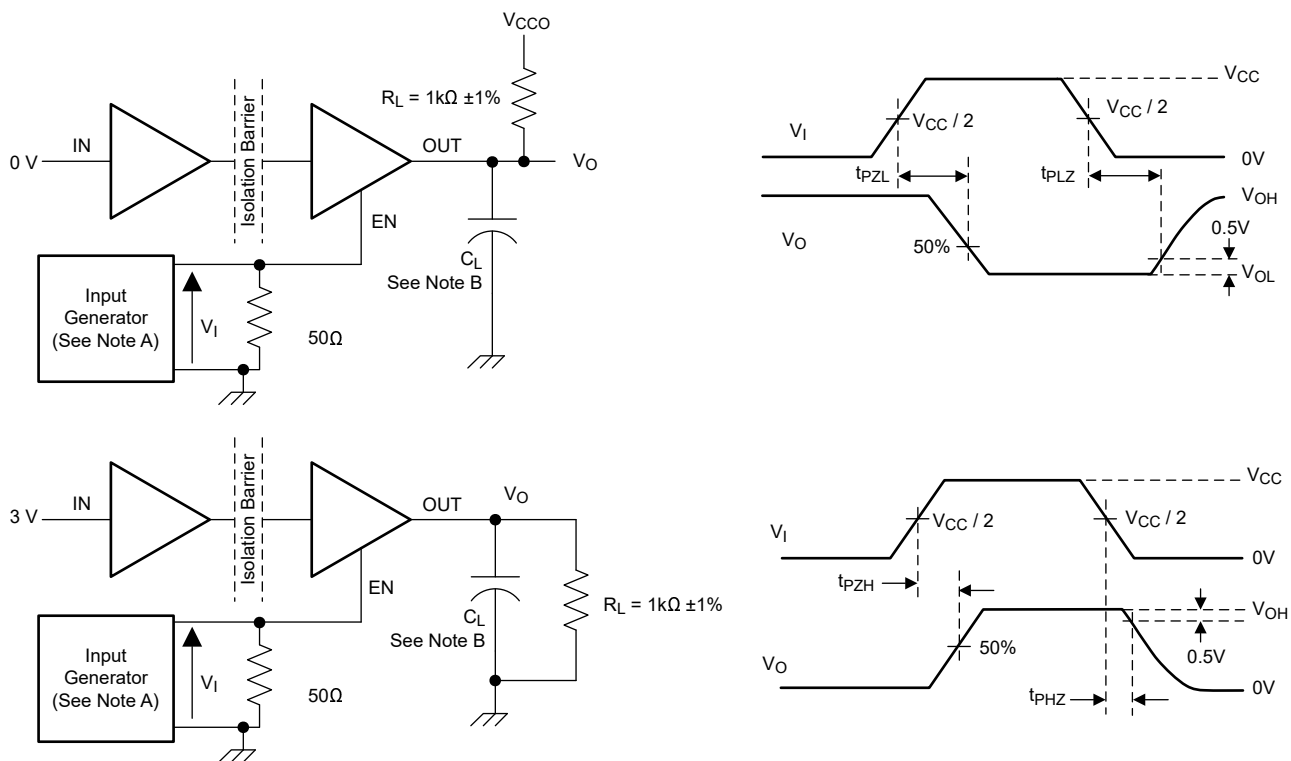
Figure 5-8. Propagation Delay Time vs Free-Air Temperature

6 Parameter Measurement Information



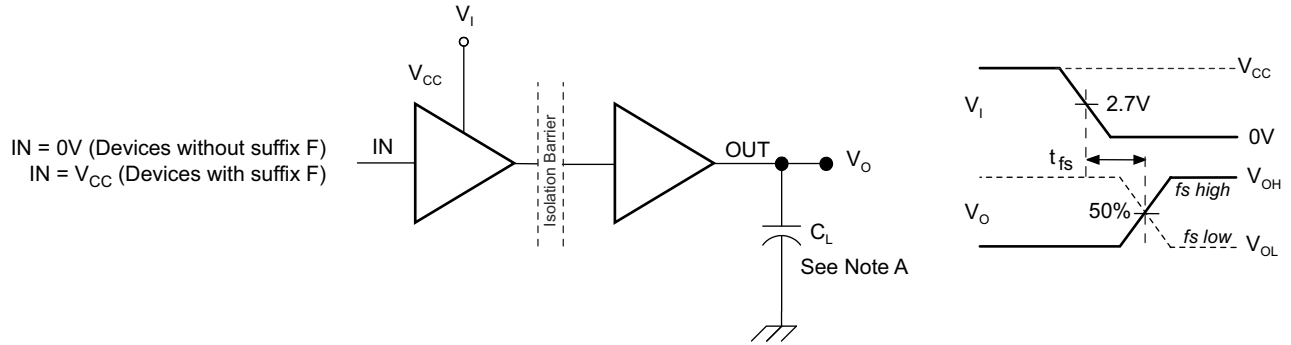
- A. The input pulse is supplied by a generator having the following characteristics: PRR ≤ 50 kHz, 50% duty cycle, $t_r \leq 3 \text{ ns}$, $t_f \leq 3 \text{ ns}$, $Z_O = 50 \Omega$. At the input, 50 Ω resistor is required to terminate Input Generator signal. The 50 Ω resistor is not needed in actual application.
- B. $C_L = 15 \text{ pF}$ and includes instrumentation and fixture capacitance within ±20%.

Figure 6-1. Switching Characteristics Test Circuit and Voltage Waveforms



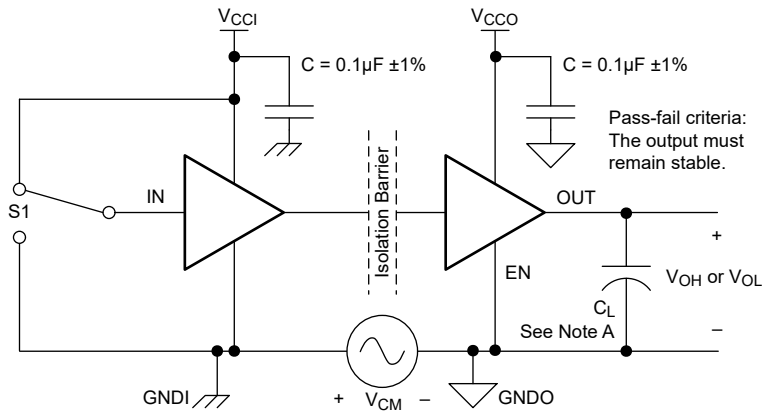
- A. The input pulse is supplied by a generator having the following characteristics: PRR ≤ 10 kHz, 50% duty cycle, $t_r \leq 3 \text{ ns}$, $t_f \leq 3 \text{ ns}$, $Z_O = 50 \Omega$.
- B. $C_L = 15 \text{ pF}$ and includes instrumentation and fixture capacitance within ±20%.

Figure 6-2. Enable/Disable Propagation Delay Time Test Circuit and Waveform



A. $C_L = 15 \text{ pF}$ and includes instrumentation and fixture capacitance within $\pm 20\%$.

Figure 6-3. Default Output Delay Time Test Circuit and Voltage Waveforms



A. $C_L = 15 \text{ pF}$ and includes instrumentation and fixture capacitance within $\pm 20\%$.

Figure 6-4. Common-Mode Transient Immunity Test Circuit

7 Detailed Description

7.1 Overview

ISO7821 employs an ON-OFF Keying (OOK) modulation scheme to transmit the digital data across a silicon dioxide based isolation barrier. The transmitter sends a high frequency carrier across the barrier to represent one digital state and sends no signal to represent the other digital state. The receiver demodulates the signal after advanced signal conditioning and produces the output through a buffer stage. These devices also incorporate advanced circuit techniques to maximize the CMTI performance and minimize the radiated emissions due the high frequency carrier and IO buffer switching. The conceptual block diagram of a digital capacitive isolator, [Figure 7-1](#), shows a functional block diagram of a typical channel.

7.2 Functional Block Diagram

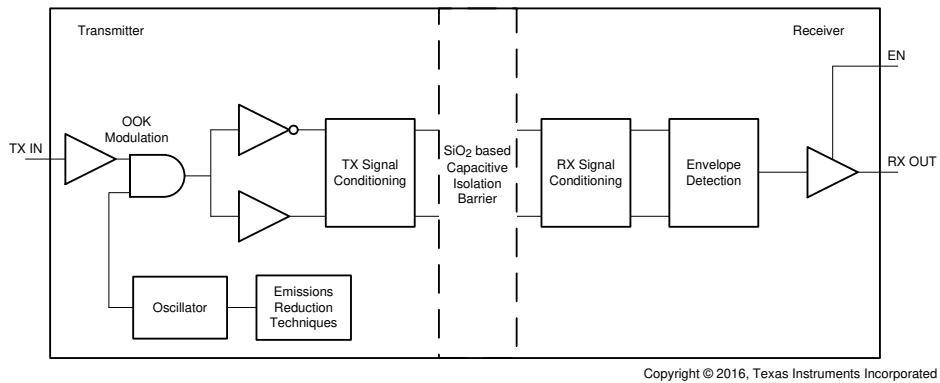


Figure 7-1. Conceptual Block Diagram of a Digital Capacitive Isolator

Also a conceptual detail of how the ON/OFF Keying scheme works is shown in [Figure 7-2](#).

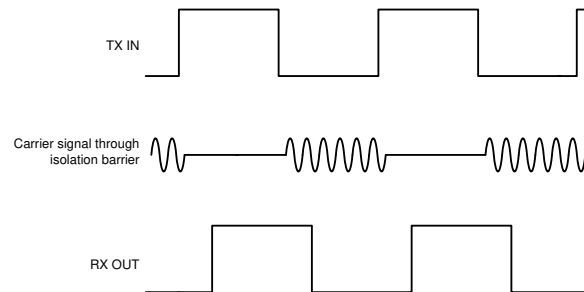


Figure 7-2. On-Off Keying (OOK) Based Modulation Scheme

7.3 Feature Description

ISO7821 is available in two channel configurations and default output state options to enable a variety of application uses.

PRODUCT	CHANNEL DIRECTION	RATED ISOLATION	MAX DATA RATE	DEFAULT OUTPUT
ISO7821	1 Forward, 1 Reverse	5700 V _{RMS} / 8000 V _{PK} ⁽¹⁾	100 Mbps	High
ISO7821F	1 Forward, 1 Reverse	5700 V _{RMS} / 8000 V _{PK} ⁽¹⁾	100 Mbps	Low

(1) See the [Regulatory Information](#) section for detailed isolation ratings.

7.4 Device Functional Modes

ISO7821 functional modes are shown in [Table 7-1](#).

Table 7-1. ISO7821 Function Table

V _{CCI}	V _{CCO}	INPUT (IN _x) ⁽²⁾	OUTPUT ENABLE (EN _x) (DWW Package Only)	OUTPUT (OUT _x)	COMMENTS
PU	PU	H	H or open	H	Normal Operation: A channel output assumes the logic state of the input.
		L	H or open	L	
		Open	H or open	Default	Default mode: When IN _x is open, the corresponding channel output goes to the default high logic state. Default= High for ISO7821 and Low for ISO7821F.
X	PU	X	L	Z	A low value of Output Enable causes the outputs to be high-impedance.
PD	PU	X	H or open	Default	Default mode: When V _{CCI} is unpowered, a channel output assumes the logic state based on the selected default option. Default= High for ISO7821 and Low for ISO7821F. When V _{CCI} transitions from unpowered to powered-up, a channel output assumes the logic state of the input. When V _{CCI} transitions from powered-up to unpowered, channel output assumes the selected default state.
X	PD	X	X	Undetermined	When V _{CCO} is unpowered, a channel output is undetermined ⁽¹⁾ . When V _{CCO} transitions from unpowered to powered-up, a channel output assumes the logic state of the input

(1) The outputs are in undetermined state when 1.7 V < V_{CCI}, V_{CCO} < 2.25 V.

(2) A strongly driven input signal can weakly power the floating V_{CC} using an internal protection diode and cause undetermined output.

7.4.1 Device I/O Schematics

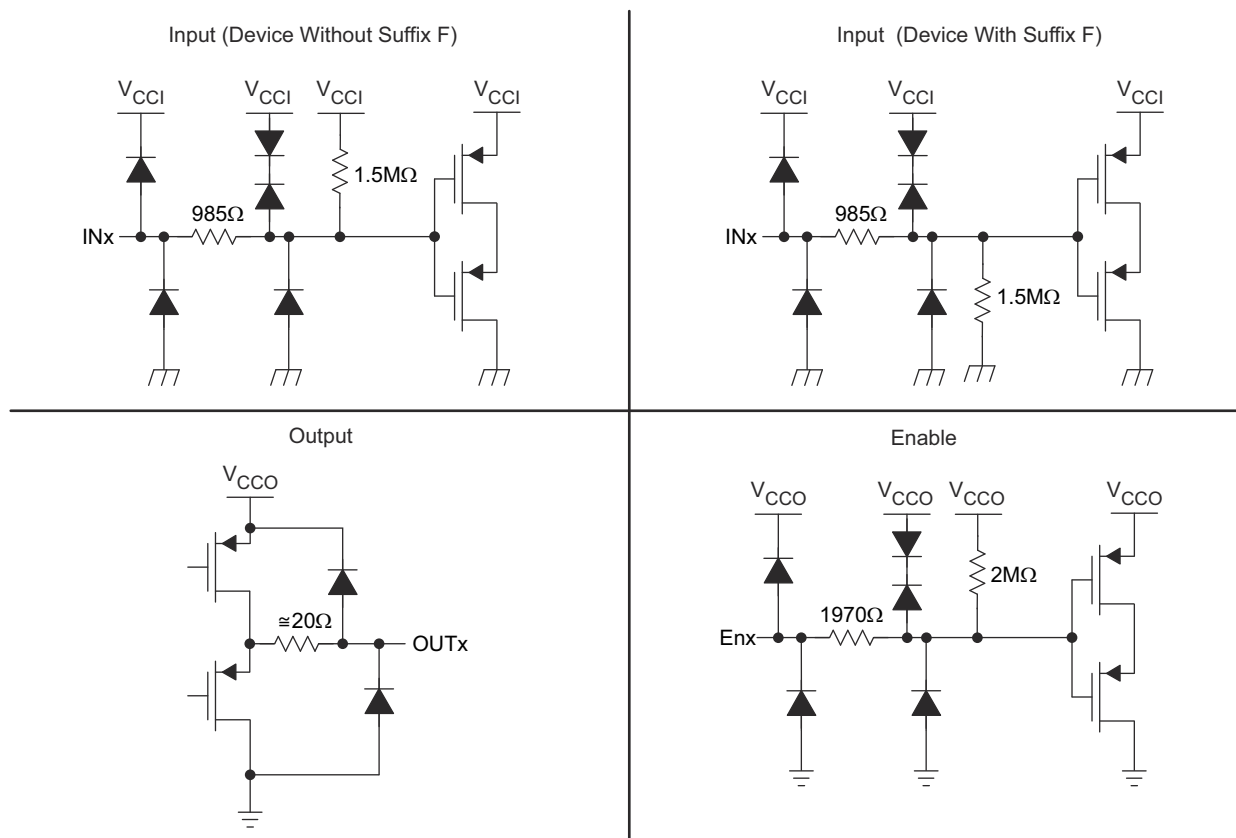


Figure 7-3. Device I/O Schematics

8 Application and Implementation

Note

Information in the following applications sections is not part of the TI component specification, and TI does not warrant its accuracy or completeness. TI's customers are responsible for determining suitability of components for their purposes, as well as validating and testing their design implementation to confirm system functionality.

8.1 Application Information

The ISO7821 is a high-performance, dual-channel digital isolator with 5.7 kV_{RMS} isolation voltage per UL 1577. The device uses single-ended CMOS-logic switching technology. The supply voltage range is from 2.25 V to 5.5 V for both supplies, V_{CC1} and V_{CC2}. Keep in mind that when designing with digital isolators, due to the single-ended design structure, digital isolators do not conform to any specific interface standard and are only intended for isolating single-ended CMOS or TTL digital signal lines. The isolator is typically placed between the data controller (that is, μ C or UART), and a data converter or a line transceiver, regardless of the interface type or standard.

8.2 Typical Application

ISO7821 can be used with Texas Instruments' mixed signal micro-controller, digital-to-analog converter, transformer driver, and voltage regulator to create an isolated 4-20 mA current loop.

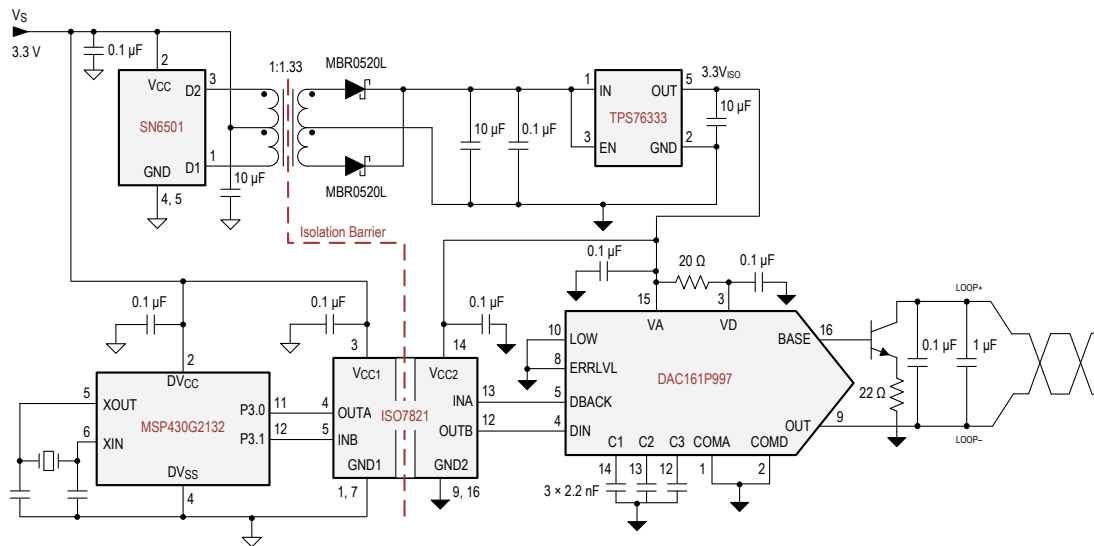


Figure 8-1. Isolated 4-20 mA Current Loop

8.2.1 Design Requirements

For the ISO7821, use the parameters shown in [Table 8-1](#).

Table 8-1. Design Parameters

PARAMETER	VALUE
Supply voltage	2.25 V to 5.5 V
Decoupling capacitor between V _{CC1} and GND1	0.1 μ F
Decoupling capacitor from V _{CC2} and GND2	0.1 μ F

8.2.2 Detailed Design Procedure

Unlike optocouplers, which need external components to improve performance, provide bias, or limit current, ISO7821 only needs two external bypass capacitors to operate.

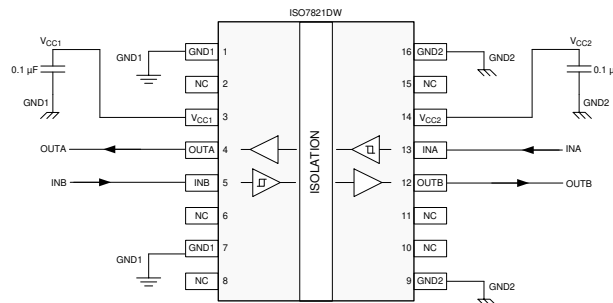


Figure 8-2. Typical ISO7821 Circuit Hook-up

8.2.2.1 Electromagnetic Compatibility (EMC) Considerations

Many applications in harsh industrial environment are sensitive to disturbances such as electrostatic discharge (ESD), electrical fast transient (EFT), surge and electromagnetic emissions. These electromagnetic disturbances are regulated by international standards such as IEC 61000-4-x and CISPR 22. Although system-level performance and reliability depends, to a large extent, on the application board design and layout, the ISO7821 incorporate many chip-level design improvements for overall system robustness. Some of these improvements include:

- Robust ESD protection for input and output signal pins and inter-chip bond pads.
- Low-resistance connectivity of ESD cells to supply and ground pins.
- Enhanced performance of high voltage isolation capacitor for better tolerance of ESD, EFT and surge events.
- Bigger on-chip decoupling capacitors to bypass undesirable high energy signals through a low impedance path.
- PMOS and NMOS devices isolated from each other by using guard rings to avoid triggering of parasitic SCRs.
- Reduced common mode currents across the isolation barrier by providing purely differential internal operation.

8.2.3 Application Performance Curve

Typical eye diagram of ISO7821 indicate low jitter and wide open eye at the maximum data rate of 100 Mbps.

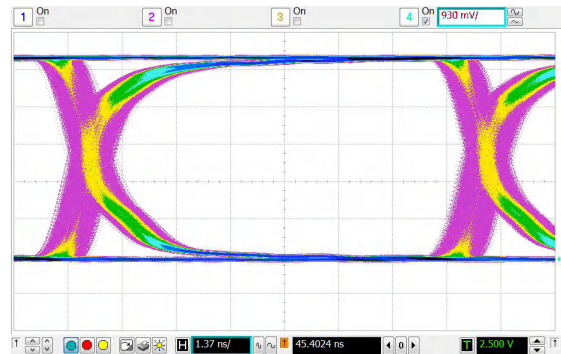


Figure 8-3. Eye Diagram at 100 Mbps PRBS, 5 V and 25°C

8.3 Power Supply Recommendations

To provide reliable operation at all data rates and supply voltages, a 0.1 μF bypass capacitor is recommended at input and output supply pins (V_{CC1} and V_{CC2}). The capacitors must be placed as close to the supply pins as possible. If only a single primary-side power supply is available in an application, isolated power can be generated for the secondary-side with the help of a transformer driver such as Texas Instruments' [SN6501](#). For such applications, detailed power supply design and transformer selection recommendations are available in SN6501 data sheet ([SLLSEA0](#)).

8.4 Layout

8.4.1 PCB Material

For digital circuit boards operating below 150 Mbps, (or rise and fall times higher than 1 ns), and trace lengths of up to 10 inches, use standard FR-4 epoxy-glass as PCB material. FR-4 (Flame Retardant 4) meets the requirements of Underwriters Laboratories UL94-V0, and is preferred over cheaper alternatives due to the lower dielectric losses at high frequencies, less moisture absorption, greater strength and stiffness, and the self-extinguishing flammability-characteristics.

8.4.2 Layout Guidelines

A minimum of four layers is required to accomplish a low EMI PCB design (see [Figure 8-4](#)). Layer stacking must be in the following order (top-to-bottom): high-speed signal layer, ground plane, power plane and low-frequency signal layer.

- Routing the high-speed traces on the top layer avoids the use of vias (and the introduction of the inductances) and allows for clean interconnects between the isolator and the transmitter and receiver circuits of the data link.
- Placing a solid ground plane next to the high-speed signal layer establishes controlled impedance for transmission line interconnects and provides an excellent low-inductance path for the return current flow.
- Placing the power plane next to the ground plane creates additional high-frequency bypass capacitance of approximately 100 pF/in².
- Routing the slower speed control signals on the bottom layer allows for greater flexibility as these signal links typically have margin to tolerate discontinuities such as vias.

If an additional supply voltage plane or signal layer is needed, add a second power / ground plane system to the stack to keep the planes symmetrical. This makes the stack mechanically stable and prevents warping. Also the power and ground plane of each power system can be placed closer together, thus increasing the high-frequency bypass capacitance significantly.

For detailed layout recommendations, see Application Note [SLLA284](#), *Digital Isolator Design Guide*.

8.4.3 Layout Example

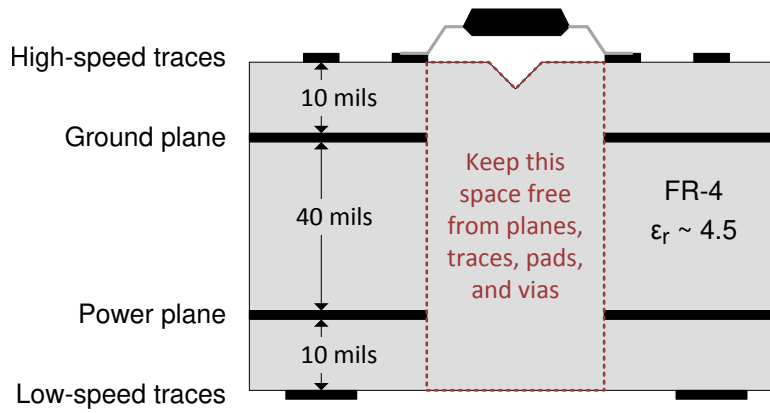


Figure 8-4. Layout Example

9 Device and Documentation Support

9.1 Related Documentation

9.1.1 Related Documentation

See the *Isolation Glossary* ([SLLA353](#))

9.2 Receiving Notification of Documentation Updates

To receive notification of documentation updates, navigate to the device product folder on [ti.com](#). Click on *Notifications* to register and receive a weekly digest of any product information that has changed. For change details, review the revision history included in any revised document.

9.3 Support Resources

[TI E2E™ support forums](#) are an engineer's go-to source for fast, verified answers and design help — straight from the experts. Search existing answers or ask your own question to get the quick design help you need.

Linked content is provided "AS IS" by the respective contributors. They do not constitute TI specifications and do not necessarily reflect TI's views; see TI's [Terms of Use](#).

9.4 Trademarks

TI E2E™ is a trademark of Texas Instruments.
All trademarks are the property of their respective owners.

9.5 Electrostatic Discharge Caution



This integrated circuit can be damaged by ESD. Texas Instruments recommends that all integrated circuits be handled with appropriate precautions. Failure to observe proper handling and installation procedures can cause damage.

ESD damage can range from subtle performance degradation to complete device failure. Precision integrated circuits may be more susceptible to damage because very small parametric changes could cause the device not to meet its published specifications.

9.6 Glossary

[TI Glossary](#) This glossary lists and explains terms, acronyms, and definitions.

10 Revision History

NOTE: Page numbers for previous revisions may differ from page numbers in the current version.

Changes from Revision G (July 2022) to Revision H (November 2024)		Page
•	1
•	Added content from the <i>High Voltage Feature Description</i> section to the <i>Specifications</i> section.....	4
•	Moved the <i>IEC 60664-1 Ratings</i> table to the <i>Power Ratings</i> section in the <i>Specifications</i>	8
•	Added typical specification to CPG/CLR in the <i>Insulation Specifications</i> section	8
•	Moved the <i>Insulation Characteristics</i> table to the <i>Insulation Specifications</i> section.....	8
•	Moved the <i>Package Insulation and Safety-Related Specification</i> table to the <i>Insulation Specifications</i> section.....	8
•	Changed the <i>Regulatory Information Section</i> to the <i>Safety-related Certifications</i> section and moved to the <i>Specifications</i> section.....	11
•	Moved the <i>Safety Limiting Values</i> to the <i>Specifications</i> section.....	12
Changes from Revision F (March 2016) to Revision G (July 2022)		Page
•	Updated the numbering format for tables, figures, and cross-references throughout the document.	1

Changes from Revision E (December 2015) to Revision F (March 2016)	Page
• Changed the Safety and Regulatory Approvals list of Section 1	1
• Added Section 1 "TUV Certification per EN 61010-1 and EN 60950-1"	1
• Changed text in the first paragraph of the Section 3 From: "certifications according to VDE, CSA, and CQC". To: "certifications according to VDE, CSA, CQC, and TUV."	1
• Added Note 1 to Table 5-2	8
• Added TUV to the Section 5.11 section and Table 5-4 . Deleted Note 1 in Table 4	11
• Changed Figure 7-3	20

Changes from Revision D (July 2015) to Revision E (December 2015)	Page
• Changed Section 1 From: 8000V _{PK} V _{IOTM} and 2121 V _{PK} V _{IORM} Reinforced..To: 8000V _{PK} Reinforced.....	1
• Added Section 1 : DW Package Certifications Complete; DWW Certifications Planned	1
• Added text to the Description: and extra-wide body (DWW) packages.....	1
• Added package: Extra wide SOIC, DWW (16) to the <i>Device Information</i> table	1
• Added the DWW pinout image	3
• Added the DWW package to the Section 5.4	5
• Changed the MIN value of CMTI in Section 5.6 table From: 70 To: 100 kV/μs, deleted the TYP value of 100 kV/μs	6
• Added the DW package value to the Supply Current section of the Section 5.6	6
• Added the DWW package value to the Supply Current section of the Section 5.6	6
• Changed the MIN value of CMTI in Section 5.7 table From: 70 To: 100 kV/μs, deleted the TYP value of 100 kV/μs	7
• Added the DW package value to the Supply Current section of the Section 5.7	7
• Added the DWW package value to the Supply Current section of the Section 5.7	7
• Changed the MIN value of CMTI in Section 5.8 table From: 70 To: 100 kV/μs, deleted the TYP value of 100 kV/μs	8
• Added the DW package value to the Supply Current section of the Section 5.8	8
• Added the DWW package value to the Supply Current section of the Section 5.8	8
• Changed Parameter information and added the DWW package information in Table 5-1	8
• Added the DWW package to Table 5-3	8
• Changed C _{IO} typ value From: 2 To 1 pF in Table 5-3	8
• Added the DWW package to Table 5-2	8
• Added the DWW package information to Table 5-4	11
• added DWW-16 package options to Table 5-5	12
• Added t _{PHZ} , t _{PLZ} , t _{PZH} , and t _{PZL} to Section 5.14	13
• Added t _{PHZ} , t _{PLZ} , t _{PZH} , and t _{PZL} to Section 5.15	14
• Added Figure 6-2	16
• Changed Table 7-1	20
• Added text to the Section 8.1 section: "isolation voltage per UL 1577."	21

Changes from Revision C (May 2015) to Revision D (July 2015)	Page
• Added device ISO7821F to the data sheet	1
• Changed the Section 3 to include: "default output is 'high' for the ISO7821 device and 'low' for the ISO7821F device.	1
• Changed the <i>Simplified Schematic</i>	1
• Changed Table 5-3 title From: <i>IEC Insulation and Safety-Related Specifications for DW-16 Package</i> To: <i>Package Insulation and Safety-Related Specifications</i>	8
• Changed Figure 5-1 , Added Figure 5-2	12
• Changed t _{PLH} and t _{PHL} From: 5.5 V to 5 V in Figure 5-8	15
• Changed Figure 6-3	16

- Changed the [Section 7.2](#) 18

Changes from Revision B (April 2015) to Revision C (May 2015) Page

• Changed From: V_{CC1} and V_{CC2} To: V_{CC1} and V_{CC0} , GND1 and GND2 To: GND1 and GNDO and added Notes 1 and 2 in the Simplified Schematic	1
• Changed the MIN value of CMTI in Section 5.6 table From: 50 To: 70 kV/ μ s	6
• Changed the MIN value of CMTI in Section 5.7 table From: 50 To: 70 kV/ μ s	7
• Changed the MIN value of CMTI in Section 5.8 table From: 50 To: 70 kV/ μ s	8
• Changed the Installation classification of the Table 5-1 to include DW package information.....	8
• Added sentence "If the EN pin is available and low then the output goes to high impedance." to the Section 7.1 section	18
• Changed the Section 7.2 to include the EN pin on the Receiver side.....	18
• Changed "ISO782W functional modes" To: "ISO7821DW functional modes" in Section 7.4	20
• Changed Table 7-1 title From: "Functional Table" To: "ISO7821DW Function Table".....	20
• Added the Section 7.4.1 section	20
• Changed device number ISO7821 To: ISO7821DW in Figure 8-2	22

Changes from Revision A (December 2014) to Revision B (April 2015) Page

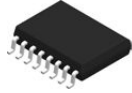
• Changed the document title From: "Channel Digital Isolator" To: "Channel 1/1 Digital Isolator"	1
• Added Section 1 : 2.25V to 5.5V Level Translation.....	1
• Changed the Safety and Regulatory Approvals list of Section 1	1
• Changed text in the Section 3 From: "This device is being reviewed for reinforced isolation certification by VDE and CSA. To: "This device has reinforced isolation certifications according to VDE, CSA, and CQC.".....	1
• Added Note (3) to the Section 5.1 table.....	4
• Changed From: V_{CCX} To: V_{CC0} In I_{OH} and I_{OL} of the Section 5.3 table	4
• Changed From: V_{CCX} To: V_{CC1} In V_{IH} and V_{IL} of the Section 5.3 table	4
• Changed Note (1) of the Section 5.3 table	4
• Changed From: V_{CCX} To: V_{CC0} In V_{OH} of the Section 5.6 table	6
• Changed From: V_{CCX} To: V_{CC0} In $V_{I(HYS)}$ of the Section 5.6 table	6
• Changed From: V_{CCX} To: V_{CC1} In I_{IH} of the Section 5.6 table	6
• Changed From: V_{CCX} To: V_{CC1} In CMTI of the Section 5.6 table	6
• Changed From: V_{CCX} To: V_{CC1} In Supply Current, DC Signal of the Section 5.6 table.....	6
• Changed Note (1) of the Section 5.6 table	6
• Changed From: V_{CCX} To: V_{CC0} In V_{OH} of the Section 5.7 table	7
• Changed From: V_{CCX} To: V_{CC0} In $V_{I(HYS)}$ of the Section 5.7 table	7
• Changed From: V_{CCX} To: V_{CC1} In I_{IH} of the Section 5.7 table.....	7
• Changed From: V_{CCX} To: V_{CC1} In CMTI of the Section 5.7 table	7
• Changed From: V_{CCX} To: V_{CC1} In Supply Current, DC Signal of the Section 5.7 table	7
• Changed Note (1) of the Section 5.7 table	7
• Changed From: V_{CCX} To: V_{CC0} In V_{OH} of the Section 5.8 table	8
• Changed From: V_{CCX} To: V_{CC1} In I_{IH} of the Section 5.8 table	8
• Changed From: V_{CCX} To: V_{CC1} In Supply Current, DC Signal of the Section 5.8 table	8
• Changed Note (1) of the Section 5.8 table	8
• Changed the Test Condition of CTI in Table 5-3	8
• Changed the MIN value of CTI From" > 600 V To: 600 V.....	8
• Changed Table 5-2 title From: <i>DIN V VDE 0884-10 (VDE V 0884-10) and UL 1577 Insulation Characteristics</i> To: <i>Added the DWW package to</i>	8
• Changed Table 5-2	8
• Changed columns VDE and CSA to Table 5-4	11
• Changed title From: <i>IEC Safety Limiting Values</i> To: Section 5.12	12

• Changed the table in Section 5.12 , added I _S DW-16 package options.....	12
• Changed Figure 5-1	12
• Changed Figure 6-1	16
• Changed From: V _{CC1} To: V _{CCI} in Figure 6-3	16
• Changed Figure 6-4	16
• Deleted INPUT-SIDE and OUTPUT-SIDE from columns 1 and 2 of Table 7-1	20
• Changed Note (1) of Table 7-1	20
• Changed the Section 8.1 section.....	21
• Changed the Section 8.2 section and Figure 8-1	21
• Added text and Figure 8-2 to the Section 8.2.2 section	22

Changes from Revision * (November 2014) to Revision A (December 2014)	Page
• Changed From: A product preview that included only page 1 and the pinout section To: A complete data sheet	1

11 Mechanical, Packaging, and Orderable Information

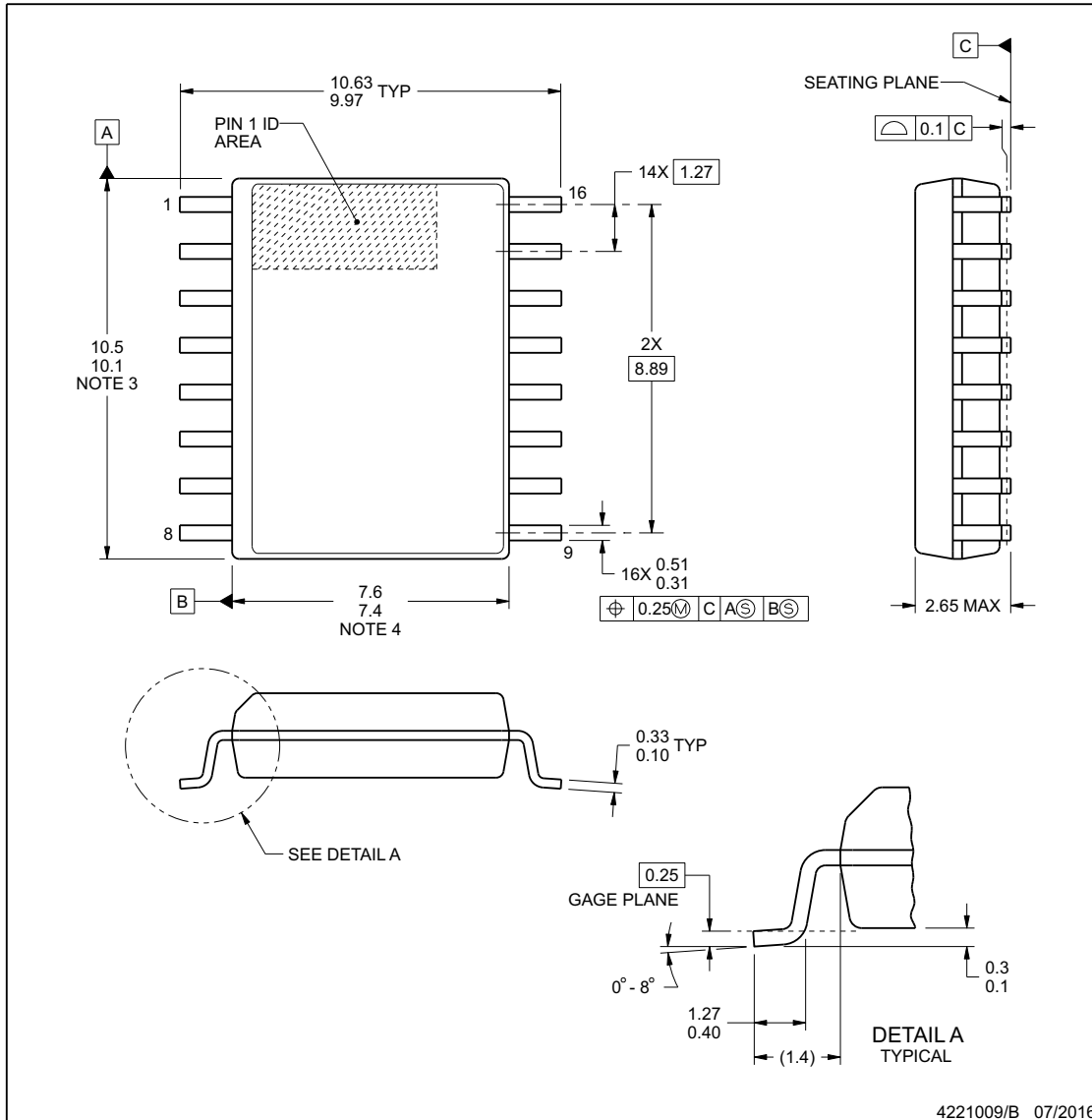
The following pages include mechanical packaging and orderable information. This information is the most current data available for the designated devices. This data is subject to change without notice and revision of this document. For browser-based versions of this data sheet, refer to the left-hand navigation.



DW0016B

PACKAGE OUTLINE
SOIC - 2.65 mm max height

SOIC



4221009/B 07/2016

NOTES:

1. All linear dimensions are in millimeters. Dimensions in parenthesis are for reference only. Dimensioning and tolerancing per ASME Y14.5M.
2. This drawing is subject to change without notice.
3. This dimension does not include mold flash, protrusions, or gate burrs. Mold flash, protrusions, or gate burrs shall not exceed 0.15 mm, per side.
4. This dimension does not include interlead flash. Interlead flash shall not exceed 0.25 mm, per side.
5. Reference JEDEC registration MS-013.

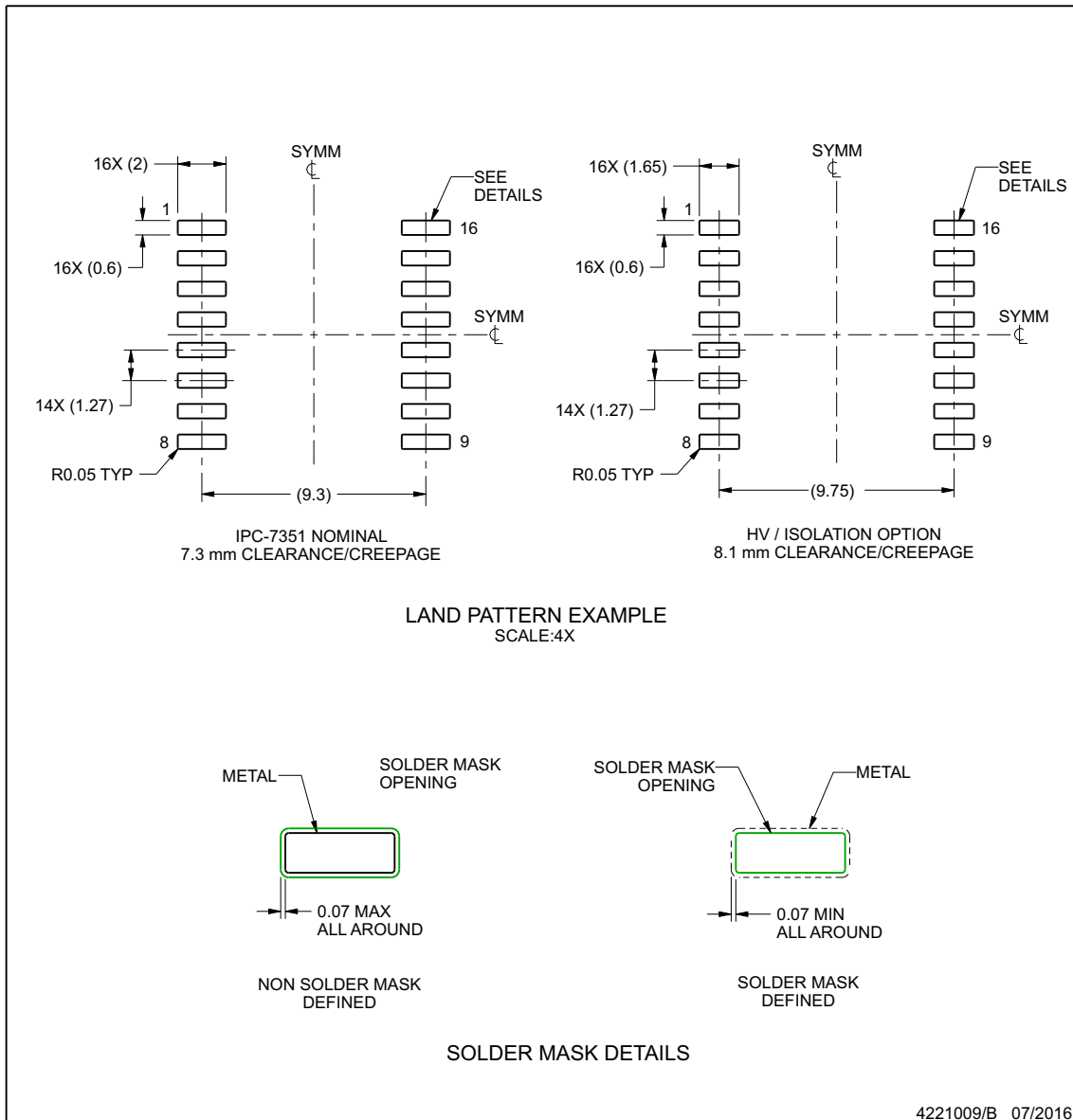
www.ti.com

EXAMPLE BOARD LAYOUT

DW0016B

SOIC - 2.65 mm max height

SOIC



NOTES: (continued)

- 6. Publication IPC-7351 may have alternate designs.
- 7. Solder mask tolerances between and around signal pads can vary based on board fabrication site.

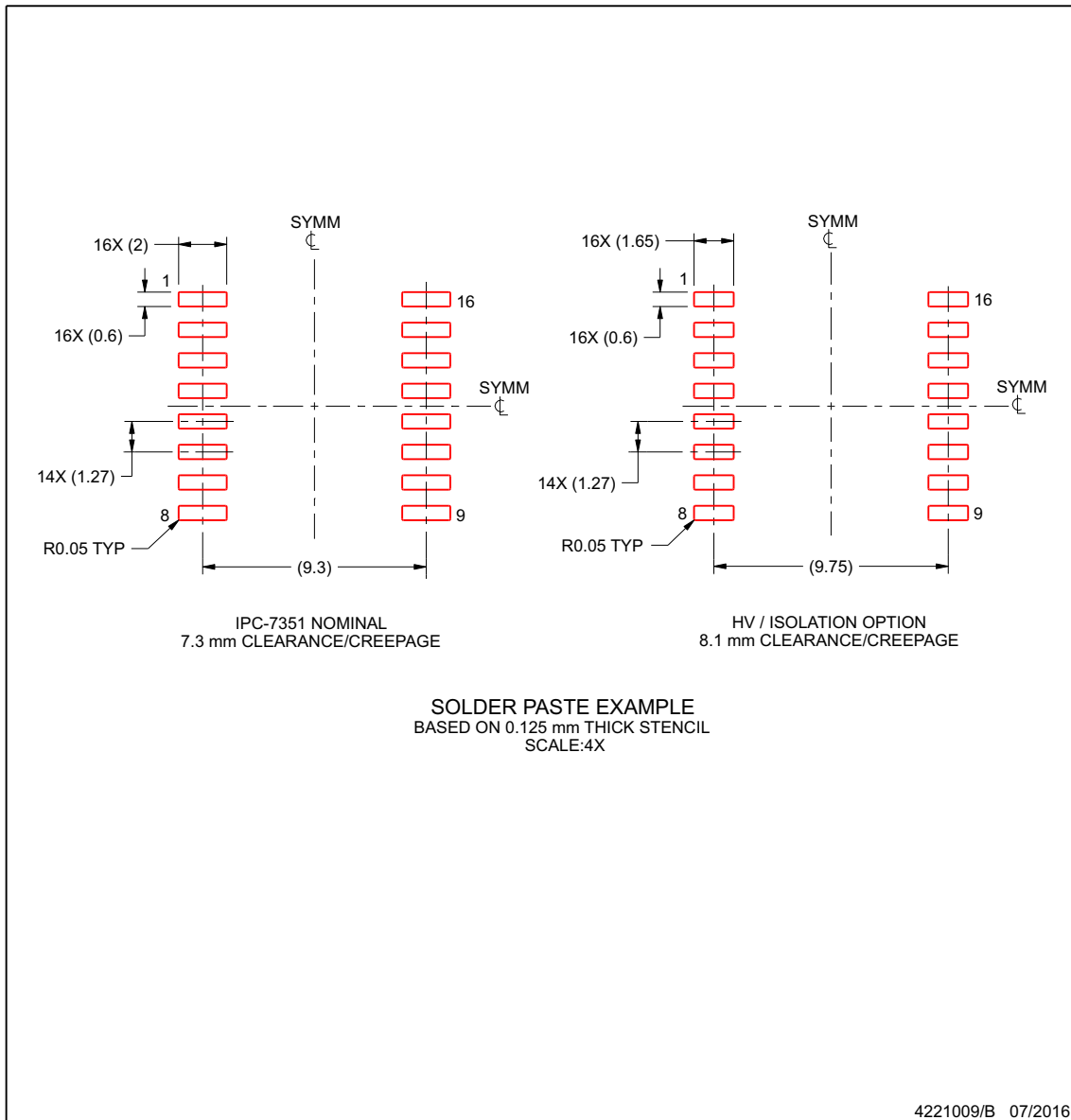
www.ti.com

EXAMPLE STENCIL DESIGN

DW0016B

SOIC - 2.65 mm max height

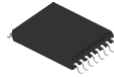
SOIC



NOTES: (continued)

8. Laser cutting apertures with trapezoidal walls and rounded corners may offer better paste release. IPC-7525 may have alternate design recommendations.
9. Board assembly site may have different recommendations for stencil design.

www.ti.com

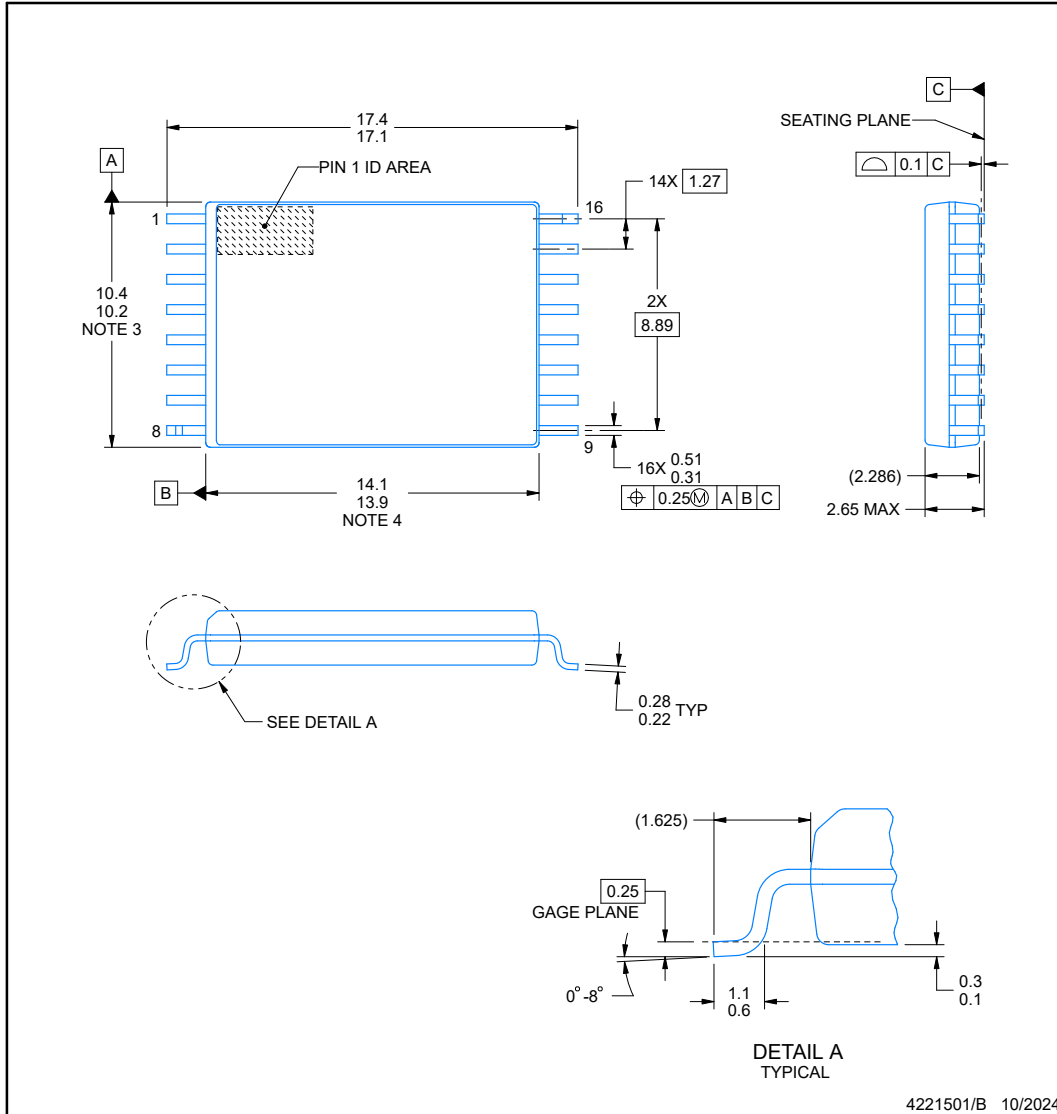


DWW0016A

PACKAGE OUTLINE

SOIC - 2.65 mm max height

PLASTIC SMALL OUTLINE



NOTES:

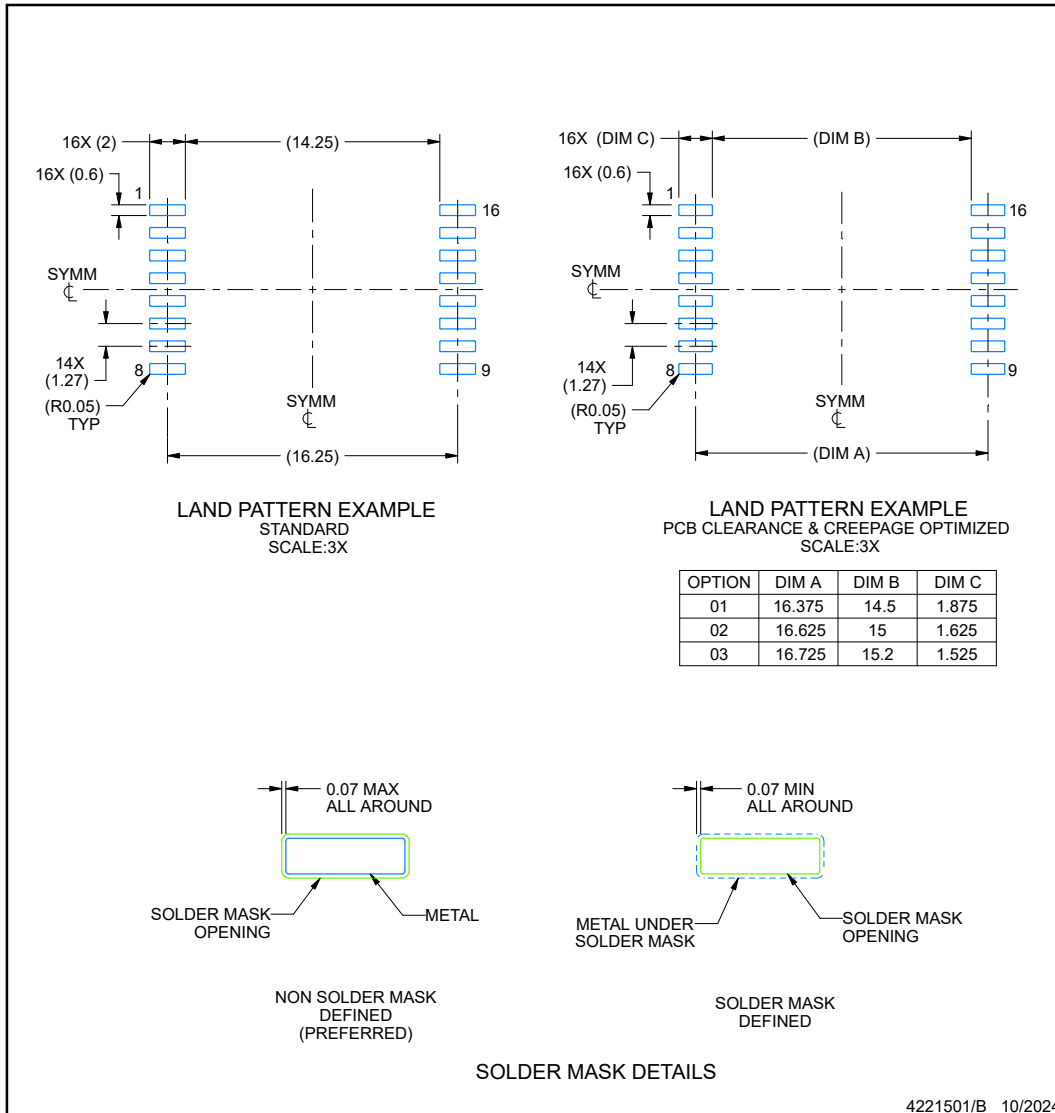
1. All linear dimensions are in millimeters. Any dimensions in parenthesis are for reference only. Dimensioning and tolerancing per ASME Y14.5M.
2. This drawing is subject to change without notice.
3. This dimension does not include mold flash, protrusions, or gate burrs. Mold flash, protrusions, or gate burrs shall not exceed 0,15 mm per side.
4. This dimension does not include interlead flash.

EXAMPLE BOARD LAYOUT

DWW0016A

SOIC - 2.65 mm max height

PLASTIC SMALL OUTLINE



NOTES: (continued)

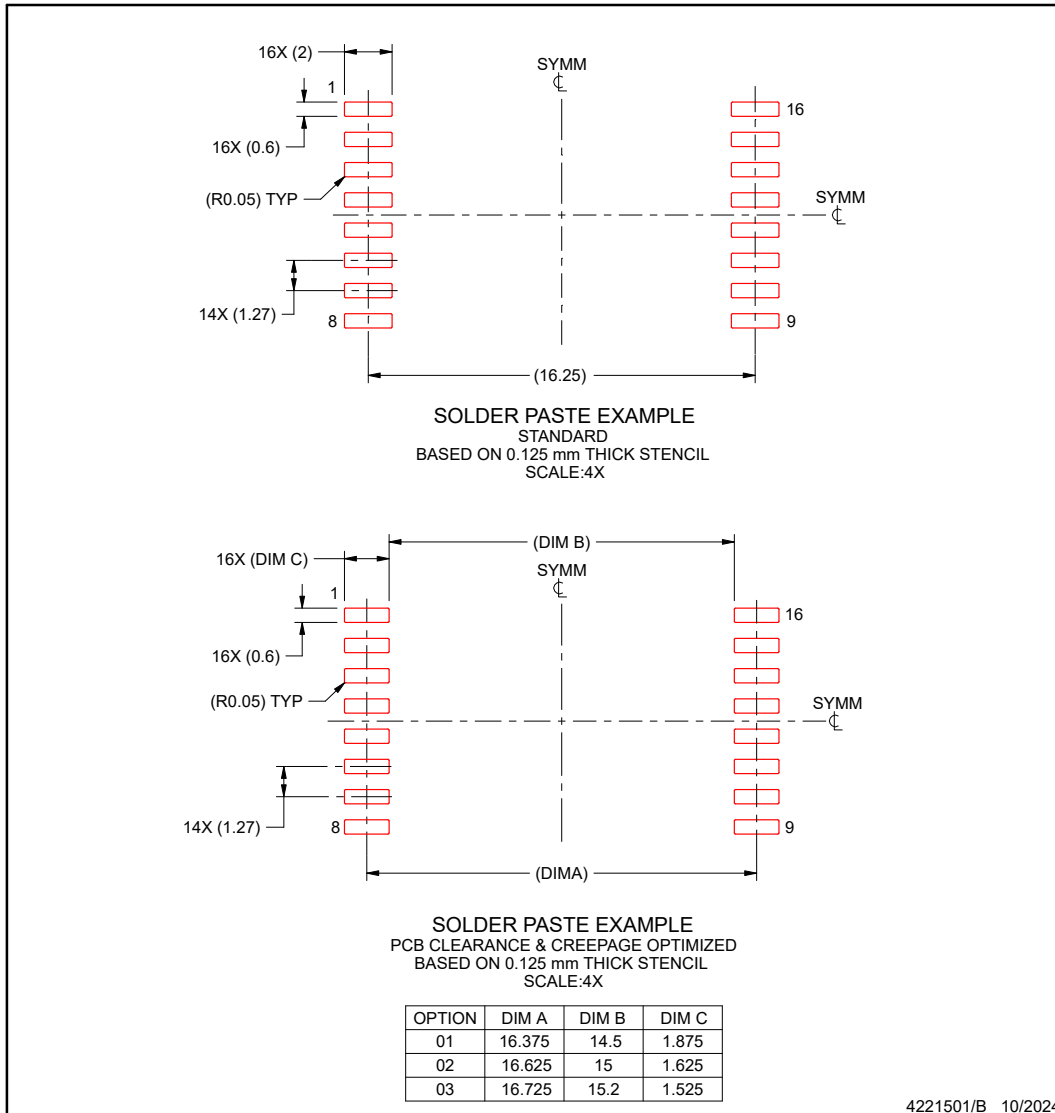
- Publication IPC-7351 may have alternate designs.
- Solder mask tolerances between and around signal pads can vary based on board fabrication site.

EXAMPLE STENCIL DESIGN

DWW0016A

SOIC - 2.65 mm max height

PLASTIC SMALL OUTLINE



NOTES: (continued)

- 7. Laser cutting apertures with trapezoidal walls and rounded corners may offer better paste release. IPC-7525 may have alternate design recommendations.
- 8. Board assembly site may have different recommendations for stencil design.

PACKAGING INFORMATION

Orderable Device	Status (1)	Package Type	Package Drawing	Pins	Package Qty	Eco Plan (2)	Lead finish/ Ball material (6)	MSL Peak Temp (3)	Op Temp (°C)	Device Marking (4/5)	Samples
ISO7821DW	ACTIVE	SOIC	DW	16	40	RoHS & Green	NIPDAU	Level-2-260C-1 YEAR	-55 to 125	ISO7821	Samples
ISO7821DWR	ACTIVE	SOIC	DW	16	2000	RoHS & Green	NIPDAU	Level-2-260C-1 YEAR	-55 to 125	ISO7821	Samples
ISO7821DWW	ACTIVE	SOIC	DWW	16	45	RoHS & Green	NIPDAU	Level-3-260C-168 HR	-55 to 125	ISO7821	Samples
ISO7821DWWR	ACTIVE	SOIC	DWW	16	1000	RoHS & Green	NIPDAU	Level-3-260C-168 HR	-55 to 125	ISO7821	Samples
ISO7821FDW	ACTIVE	SOIC	DW	16	40	RoHS & Green	NIPDAU	Level-2-260C-1 YEAR	-55 to 125	ISO7821F	Samples
ISO7821FDWR	ACTIVE	SOIC	DW	16	2000	RoHS & Green	NIPDAU	Level-2-260C-1 YEAR	-55 to 125	ISO7821F	Samples
ISO7821FDWW	ACTIVE	SOIC	DWW	16	45	RoHS & Green	NIPDAU	Level-3-260C-168 HR	-55 to 125	ISO7821F	Samples
ISO7821FDWWR	ACTIVE	SOIC	DWW	16	1000	RoHS & Green	NIPDAU	Level-3-260C-168 HR	-55 to 125	ISO7821F	Samples

(1) The marketing status values are defined as follows:

ACTIVE: Product device recommended for new designs.

LIFEBUY: TI has announced that the device will be discontinued, and a lifetime-buy period is in effect.

NRND: Not recommended for new designs. Device is in production to support existing customers, but TI does not recommend using this part in a new design.

PREVIEW: Device has been announced but is not in production. Samples may or may not be available.

OBSELETE: TI has discontinued the production of the device.

(2) **RoHS:** TI defines "RoHS" to mean semiconductor products that are compliant with the current EU RoHS requirements for all 10 RoHS substances, including the requirement that RoHS substance do not exceed 0.1% by weight in homogeneous materials. Where designed to be soldered at high temperatures, "RoHS" products are suitable for use in specified lead-free processes. TI may reference these types of products as "Pb-Free".

RoHS Exempt: TI defines "RoHS Exempt" to mean products that contain lead but are compliant with EU RoHS pursuant to a specific EU RoHS exemption.

Green: TI defines "Green" to mean the content of Chlorine (Cl) and Bromine (Br) based flame retardants meet JS709B low halogen requirements of <=1000ppm threshold. Antimony trioxide based flame retardants must also meet the <=1000ppm threshold requirement.

(3) MSL, Peak Temp. - The Moisture Sensitivity Level rating according to the JEDEC industry standard classifications, and peak solder temperature.

(4) There may be additional marking, which relates to the logo, the lot trace code information, or the environmental category on the device.

(5) Multiple Device Markings will be inside parentheses. Only one Device Marking contained in parentheses and separated by a "~" will appear on a device. If a line is indented then it is a continuation of the previous line and the two combined represent the entire Device Marking for that device.

⁽⁶⁾ Lead finish/Ball material - Orderable Devices may have multiple material finish options. Finish options are separated by a vertical ruled line. Lead finish/Ball material values may wrap to two lines if the finish value exceeds the maximum column width.

Important Information and Disclaimer:The information provided on this page represents TI's knowledge and belief as of the date that it is provided. TI bases its knowledge and belief on information provided by third parties, and makes no representation or warranty as to the accuracy of such information. Efforts are underway to better integrate information from third parties. TI has taken and continues to take reasonable steps to provide representative and accurate information but may not have conducted destructive testing or chemical analysis on incoming materials and chemicals. TI and TI suppliers consider certain information to be proprietary, and thus CAS numbers and other limited information may not be available for release.

In no event shall TI's liability arising out of such information exceed the total purchase price of the TI part(s) at issue in this document sold by TI to Customer on an annual basis.

TAPE AND REEL INFORMATION

QUADRANT ASSIGNMENTS FOR PIN 1 ORIENTATION IN TAPE


*All dimensions are nominal

Device	Package Type	Package Drawing	Pins	SPQ	Reel Diameter (mm)	Reel Width W1 (mm)	A0 (mm)	B0 (mm)	K0 (mm)	P1 (mm)	W (mm)	Pin1 Quadrant
ISO7821DWR	SOIC	DW	16	2000	330.0	16.4	10.75	10.7	2.7	12.0	16.0	Q1
ISO7821DWWR	SOIC	DWW	16	1000	330.0	24.4	18.0	10.0	3.0	20.0	24.0	Q1
ISO7821FDWR	SOIC	DW	16	2000	330.0	16.4	10.75	10.7	2.7	12.0	16.0	Q1
ISO7821FDWWR	SOIC	DWW	16	1000	330.0	24.4	18.0	10.0	3.0	20.0	24.0	Q1

TAPE AND REEL BOX DIMENSIONS



*All dimensions are nominal

Device	Package Type	Package Drawing	Pins	SPQ	Length (mm)	Width (mm)	Height (mm)
ISO7821DWR	SOIC	DW	16	2000	350.0	350.0	43.0
ISO7821DWWR	SOIC	DWW	16	1000	350.0	350.0	43.0
ISO7821FDWR	SOIC	DW	16	2000	350.0	350.0	43.0
ISO7821FDWWR	SOIC	DWW	16	1000	350.0	350.0	43.0

TUBE


*All dimensions are nominal

Device	Package Name	Package Type	Pins	SPQ	L (mm)	W (mm)	T (μm)	B (mm)
ISO7821DW	DW	SOIC	16	40	506.98	12.7	4826	6.6
ISO7821DWW	DWW	SOIC	16	45	507	20	5000	9
ISO7821FDW	DW	SOIC	16	40	506.98	12.7	4826	6.6
ISO7821FDWW	DWW	SOIC	16	45	507	20	5000	9

IMPORTANT NOTICE AND DISCLAIMER

TI PROVIDES TECHNICAL AND RELIABILITY DATA (INCLUDING DATA SHEETS), DESIGN RESOURCES (INCLUDING REFERENCE DESIGNS), APPLICATION OR OTHER DESIGN ADVICE, WEB TOOLS, SAFETY INFORMATION, AND OTHER RESOURCES "AS IS" AND WITH ALL FAULTS, AND DISCLAIMS ALL WARRANTIES, EXPRESS AND IMPLIED, INCLUDING WITHOUT LIMITATION ANY IMPLIED WARRANTIES OF MERCHANTABILITY, FITNESS FOR A PARTICULAR PURPOSE OR NON-INFRINGEMENT OF THIRD PARTY INTELLECTUAL PROPERTY RIGHTS.

These resources are intended for skilled developers designing with TI products. You are solely responsible for (1) selecting the appropriate TI products for your application, (2) designing, validating and testing your application, and (3) ensuring your application meets applicable standards, and any other safety, security, regulatory or other requirements.

These resources are subject to change without notice. TI grants you permission to use these resources only for development of an application that uses the TI products described in the resource. Other reproduction and display of these resources is prohibited. No license is granted to any other TI intellectual property right or to any third party intellectual property right. TI disclaims responsibility for, and you will fully indemnify TI and its representatives against, any claims, damages, costs, losses, and liabilities arising out of your use of these resources.

TI's products are provided subject to [TI's Terms of Sale](#) or other applicable terms available either on [ti.com](https://www.ti.com) or provided in conjunction with such TI products. TI's provision of these resources does not expand or otherwise alter TI's applicable warranties or warranty disclaimers for TI products.

TI objects to and rejects any additional or different terms you may have proposed.

Mailing Address: Texas Instruments, Post Office Box 655303, Dallas, Texas 75265
Copyright © 2024, Texas Instruments Incorporated