

LM27402 High-Performance Synchronous Buck Controller With DCR Current Sensing

1 Features

- Wide Input-Voltage Range of 3 V to 20 V
- Inductor DCR or Shunt Resistor Based Overcurrent Protection
- 0.6-V Reference With $\pm 1\%$ FB Accuracy Across Full -40°C to 125°C Junction Temperature Range
- Switching Frequency from 200 kHz to 1.2 MHz
- Output Voltage as High as 95% of Input Voltage
- Integrated High-Current MOSFET Drivers
- Internal VDD Bias Supply LDO Subregulator
- External Clock Synchronization
- Adjustable Soft Start With External Capacitor
- Prebiased Start-up Capability
- Power Supply Tracking
- Voltage-Mode Control With Line Feedforward
- Open-Drain Power-Good Indicator
- Precision Enable With Hysteresis
- 16-Pin HTSSOP and WQFN Packages
- Create a Custom Design Using the LM27402 With the [WEBENCH® Power Designer](#)

2 Applications

- High-Current, Low-Voltage Supply for FPGA and ASIC
- General-Purpose, High-Current Buck Converters
- DC/DC Converters and POL Modules
- Telecom, Datacom, Networking, Distributed Power Architectures
- Cryptocurrency Miners (Bitcoin, Ethereum, Litecoin)

3 Description

The LM27402 is a voltage-mode, synchronous, DC/DC step-down controller with lossless inductor DCR current sensing capability. Sensing the inductor current eliminates the need to add resistive powertrain elements, which increases overall efficiency and facilitates accurate, continuous current sensing. A 0.6-V $\pm 1\%$ voltage reference enables high accuracy and low voltage capability at the output. An input operating voltage range of 3 V to 20 V makes the LM27402 suitable for a large variety of input rails.

The LM27402 voltage-mode control loop incorporates input voltage feed forward to maintain stability throughout the entire input-voltage range. The switching frequency is adjustable from 200 kHz to 1.2 MHz. Dual, high-current, integrated MOSFET drivers support large Q_G , low $R_{DS(on)}$ power MOSFETs. A power-good indicator provides power-rail-sequencing capability and output fault detection. An adjustable external soft start limits inrush current and provides monotonic output control during start-up. Other features include external tracking of other power supplies, integrated LDO bias supply, and synchronization capability.

Device Information⁽¹⁾

PART NUMBER	PACKAGE	BODY SIZE (NOM)
LM27402	WQFN (16)	4.00 mm x 4.00 mm
	HTSSOP (16)	5.00 mm x 4.40 mm

(1) For all available packages, see the orderable addendum at the end of the data sheet.

Typical Application Circuit

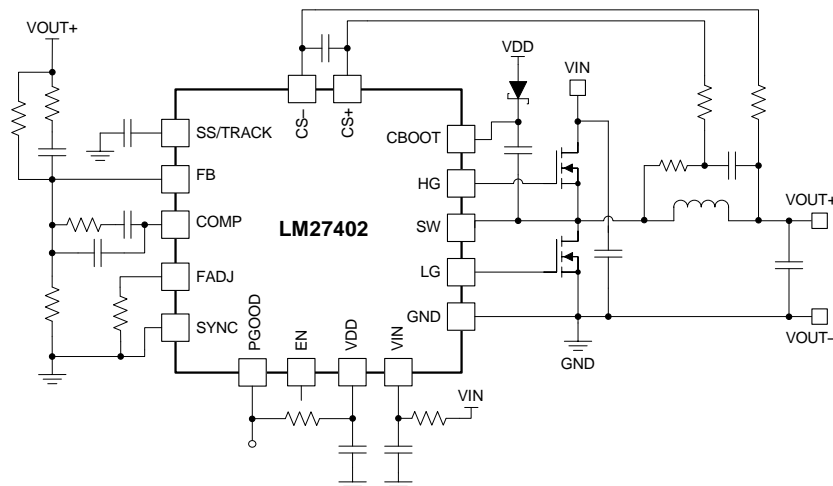


Table of Contents

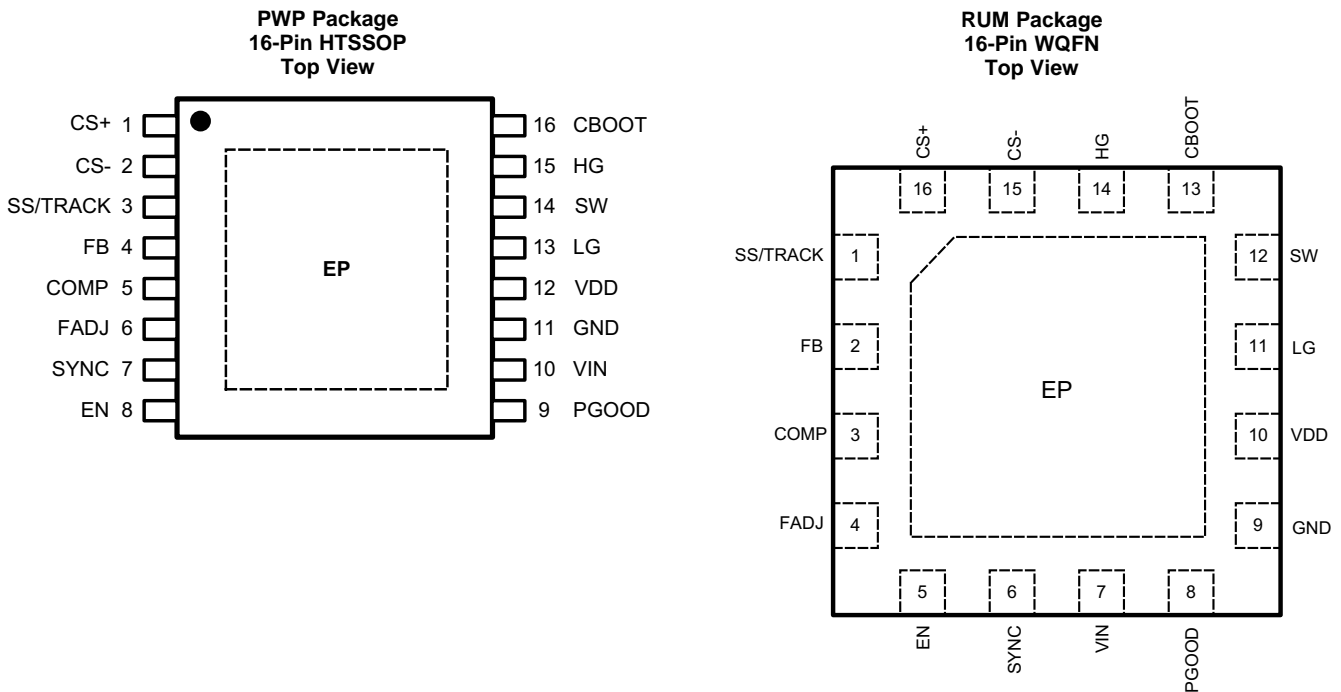
1 Features 1 2 Applications 1 3 Description 1 4 Revision History 2 5 Pin Configuration and Functions 3 6 Specifications 4 6.1 Absolute Maximum Ratings 4 6.2 ESD Ratings 4 6.3 Recommended Operating Conditions 5 6.4 Thermal Information 5 6.5 Electrical Characteristics 5 6.6 Timing Requirements 7 6.7 Switching Characteristics 7 6.8 Typical Performance Characteristics 8 7 Detailed Description 12 7.1 Overview 12 7.2 Functional Block Diagram 12 7.3 Feature Description 13	7.4 Device Functional Modes 16 8 Application and Implementation 18 8.1 Application Information 18 8.2 Typical Applications 32 9 Power Supply Recommendations 37 10 Layout 37 10.1 Layout Guidelines 37 10.2 Layout Example 40 11 Device and Documentation Support 41 11.1 Device Support 41 11.2 Documentation Support 41 11.3 Receiving Notification of Documentation Updates 41 11.4 Community Resources 42 11.5 Trademarks 42 11.6 Electrostatic Discharge Caution 42 11.7 Glossary 42 12 Mechanical, Packaging, and Orderable Information 42
---	---

4 Revision History

NOTE: Page numbers for previous revisions may differ from page numbers in the current version.

Changes from Revision J (July 2015) to Revision K	Page
<ul style="list-style-type: none"> • Added "Cryptocurrency Miners (Bitcoin, Ethereum, Litecoin)" to Applications; add links for WEBENCH 1 	1
Changes from Revision I (March 2013) to Revision J	Page
<ul style="list-style-type: none"> • Added <i>ESD Ratings</i> table, <i>Feature Description</i> section, <i>Device Functional Modes</i>, <i>Application and Implementation</i> section, <i>Power Supply Recommendations</i> section, <i>Layout</i> section, <i>Device and Documentation Support</i> section, and <i>Mechanical, Packaging, and Orderable Information</i> section. 1 	1
Changes from Revision H (March 2013) to Revision I	Page
<ul style="list-style-type: none"> • Changed layout of National Data Sheet to TI format 36 	36

5 Pin Configuration and Functions



Pin Functions

NAME	PIN		I/O ⁽¹⁾	DESCRIPTION
	HTSSOP	WQFN		
CBOOT	16	13	P	High-side gate driver supply rail. Connect a 100-nF ceramic capacitor from CBOOT to SW and a Schottky diode from VDD to CBOOT.
COMP	5	3	O	Output of the internal error amplifier. The COMP voltage is compared to an internally generated ramp at the PWM comparator to establish the duty cycle command.
CS+	1	16	I	Current sense positive input. This pin is the noninverting input to the current-sense comparator.
CS-	2	15	I	Current sense negative input. This pin is the inverting input to the current-sense comparator. 10- μ A of nominal offset current is provided for adjustable current limit setpoint.
EN	8	5	I	LM27402 enable pin. Apply a voltage typically higher than 1.17 V to EN and the LM27402 will begin to switch if VIN and VDD have exceeded their UVLO thresholds. A hysteresis of 100 mV on EN provides noise immunity. EN is internally tied to VDD through a 2- μ A pullup current source. EN must not exceed the voltage on VDD.
FADJ	6	4	I	Frequency adjust input. The switching frequency is programmable between 200 kHz and 1.2 MHz by connecting a resistor between FADJ and GND.
FB	4	2	I	Feedback input. Inverting input to the error amplifier to set the output voltage and compensate the voltage-mode control loop.
GND	11	9	G	Common ground connection. This pin provides the power and signal return connections for analog functions, including low-side MOSFET gate return, soft-start capacitor, and frequency adjust resistor.
HG	15	14	O	High-side MOSFET gate drive output.
LG	13	11	O	Low-side MOSFET gate drive output.
PGOOD	9	8	O	Power Good monitor output. This open-drain output goes low during overcurrent, short-circuit, UVLO, output overvoltage and undervoltage, overtemperature, or when the output is not regulated (such as an output prebias). An external pullup resistor to VDD or to an external rail is required. Included is a 20- μ s deglitch filter. The PGOOD voltage should not exceed 5.5 V.

(1) P= Power, G = Ground, I = Input, O = Output

Pin Functions (continued)

PIN			I/O ⁽¹⁾	DESCRIPTION
NAME	HTSSOP	WQFN		
SS/TRACK	3	1	I/O	Soft-start or tracking input. A start-up rate is defined with the use of an external soft-start capacitor from SS/TRACK to GND. A +3- μ A current source charges the soft-start capacitor to set the output voltage rise time during start-up. SS/TRACK can also be controlled with an external voltage source for tracking applications. SS/TRACK voltage must not exceed the voltage on VDD.
SW	14	12	P	Power stage switch-node connection and return path for the high-side gate driver.
SYNC	7	6	I	Frequency synchronization input. Apply an external clock signal to SYNC to set the switching frequency. The SYNC frequency must be greater than the frequency set by the FADJ pin. If the signal is not present, the switching frequency will decrease to the frequency set by the FADJ resistor. SYNC must not exceed the voltage on VDD and must be tied to GND if not used.
VDD	12	10	P	Internal sub-regulated 4.5-V bias supply. VDD is used to supply the voltage on CBOOT to facilitate high-side MOSFET switching. Connect a 1- μ F ceramic capacitor from VDD to GND as close as possible to the LM27402. VDD cannot be connected to a separate voltage rail. However, VDD can be connected to VIN to provide increased gate drive only if $V_{IN} \leq 5.5$ V. Use a 1- Ω , 1- μ F input filter for increased noise rejection.
VIN	10	7	P	Input voltage supply rail with an operating range is 3 V to 20 V. This input is used to provide the feedforward modulation for output voltage control and for generating the internal bias supply voltage. Decouple VIN to GND locally with a 1- μ F ceramic capacitor. For better noise rejection, connect to the power stage input rail with an RC filter.
EP	–	–	P	Exposed pad. Connect this pad to the PCB GND plane using multiple thermal vias.

6 Specifications

6.1 Absolute Maximum Ratings

 over operating free-air temperature range (unless otherwise noted)⁽¹⁾⁽²⁾⁽³⁾

	MIN	MAX	UNIT
VIN, CS+, CS–, SW to GND	–0.3	22	V
SW to GND less than 20ns Transients	–3	22	V
VDD, PGOOD to GND	–0.3	6	V
EN, SYNC, SS/TRACK, FADJ, COMP, FB, LG to GND	–0.3	V_{VDD}	V
CBOOT to GND	–0.3	24	V
CBOOT to SW	–0.3	6	V
CS+ to CS–	–2	2	V
Operating Junction Temperature	–40	150	°C
Lead Temperature (Soldering, 10 sec)		260	°C
Storage Temperature	–65	150	°C

- (1) Stresses beyond those listed under *Absolute Maximum Ratings* may cause permanent damage to the device. These are stress ratings only, which do not imply functional operation of the device at these or any other conditions beyond those indicated under *Recommended Operating Conditions*. Exposure to absolute-maximum-rated conditions for extended periods may affect device reliability.
- (2) If Military/Aerospace specified devices are required, please contact the Texas Instruments Sales Office/Distributors for availability and specifications.
- (3) Unless otherwise specified, voltages are from the indicated pins to GND.

6.2 ESD Ratings

		VALUE	UNIT
$V_{(ESD)}$ Electrostatic discharge	Human-body model (HBM), per ANSI/ESDA/JEDEC JS-001 ⁽¹⁾⁽²⁾	± 2000	V
	Charged-device model (CDM), per JEDEC specification JESD22-C101 ⁽³⁾	± 1000	

- (1) JEDEC document JEP155 states that 500-V HBM allows safe manufacturing with a standard ESD control process.
- (2) The human body model is a 100-pF capacitor discharged through a 1.5-k Ω resistor to each pin.
- (3) JEDEC document JEP157 states that 250-V CDM allows safe manufacturing with a standard ESD control process.

6.3 Recommended Operating Conditions

		MIN	MAX	UNIT
VIN ⁽¹⁾	VDD powered by internal LDO	3.0	20	V
	VDD tied to VIN	3.0	5.5	
VDD		2.2	5.5	V
SS/TRACK, SYNC, EN		0	V _{VDD}	V
PGOOD		0	5.5	V
Junction Temperature		-40	125	°C

- (1) VDD is the output of an internal linear regulator. Under normal operating conditions where VIN is greater than 5.5 V, VDD must not be connected to any external voltage source. In an application where VIN is between 3.0 V and 5.5 V, connecting VIN to VDD maximizes the bias supply rail voltage. In order to have better noise rejection under these conditions, a 1-Ω and 1-μF RC input filter to VDD may be used.

6.4 Thermal Information

THERMAL METRIC ⁽¹⁾		LM27402		UNIT
		RUM (WQFN)	PWP (HTSSOP)	
		16 PINS	16 PINS	
R _{θJA}	Junction-to-ambient thermal resistance	35.3 ⁽²⁾	39.8 ⁽²⁾	°C/W
R _{θJC(top)}	Junction-to-case (top) thermal resistance	32.7	25.6	°C/W
R _{θJB}	Junction-to-board thermal resistance	12.9	18.8	°C/W
Ψ _{JT}	Junction-to-top characterization parameter	0.3	0.7	°C/W
Ψ _{JB}	Junction-to-board characterization parameter	13.0	18.6	°C/W
R _{θJC(bot)}	Junction-to-case (bottom) thermal resistance	3.3	2.5	°C/W

- (1) For more information about traditional and new thermal metrics, see the *Semiconductor and IC Package Thermal Metrics* application report, [SPRA953](#).
- (2) Tested on a four layer JEDEC board. Four vias are provided under the WQFN exposed pad and nine vias are provided under the HTSSOP exposed pad.

6.5 Electrical Characteristics

Unless otherwise stated, the following conditions apply: V_{VIN} = 12 V. Limits in standard type are for T_J = 25°C only. Minimum and maximum limits are specified through test, design, or statistical correlation. Typical values represent the most likely parametric norm at T_J = 25°C and are provided for reference purposes only.

PARAMETER	TEST CONDITIONS	MIN	TYP	MAX	UNIT		
OPERATIONAL SPECIFICATIONS							
I _Q	Quiescent Current	V _{FB} = 0.6 V (not switching), T _J = 25°C		4.5	mA		
		V _{FB} = 0.6 V (not switching), T _J = -40°C to +125°C		6			
I _{QSD}	Quiescent Current In Shutdown	V _{EN} = 0 V, T _J = 25°C		25	μA		
		V _{EN} = 0 V, T _J = -40°C to +125°C		45			
UVLO							
UVLO	Input Under Voltage Lockout	V _{VIN} Rising, V _{VDD} Rising, T _J = 25°C		2.9	V		
		V _{VIN} Rising, V _{VDD} Rising, T _J = -40°C to +125°C		2.7		2.99	
UVLO _{HYS}	UVLO Hysteresis	V _{VIN} Falling, V _{VDD} Falling		300	mV		
REFERENCE							
V _{FB}	Feedback Voltage	T _J = 25°C		0.600	V		
		T _J = -40°C to +125°C		0.594		0.606	
I _{FB}	Feedback Pin Bias Current	V _{FB} = 0.65 V		-50	0	50	nA

Electrical Characteristics (continued)

Unless otherwise stated, the following conditions apply: $V_{VIN} = 12\text{ V}$. Limits in standard type are for $T_J = 25^\circ\text{C}$ only. Minimum and maximum limits are specified through test, design, or statistical correlation. Typical values represent the most likely parametric norm at $T_J = 25^\circ\text{C}$ and are provided for reference purposes only.

PARAMETER		TEST CONDITIONS	MIN	TYP	MAX	UNIT
SWITCHING						
F_{SW}	Switching Frequency	$R_{FADJ} = 4.12\text{ k}\Omega$, $T_J = 25^\circ\text{C}$		1150		kHz
		$R_{FADJ} = 4.12\text{ k}\Omega$, $T_J = -40^\circ\text{C}$ to $+125^\circ\text{C}$	950		1350	
		$R_{FADJ} = 20\text{ k}\Omega$, $T_J = 25^\circ\text{C}$		500		kHz
		$R_{FADJ} = 4.12\text{ k}\Omega$, $T_J = -40^\circ\text{C}$ to $+125^\circ\text{C}$	400	0	600	
		$R_{FADJ} = 95.3\text{ k}\Omega$, $T_J = 25^\circ\text{C}$		214		kHz
		$R_{FADJ} = 4.12\text{ k}\Omega$, $T_J = -40^\circ\text{C}$ to $+125^\circ\text{C}$	175		265	
D_{MAX}	Maximum Duty Cycle	$F_{SW} = 300\text{ kHz}$, $T_J = 25^\circ\text{C}$		95%		
		$F_{SW} = 300\text{ kHz}$, $T_J = -40^\circ\text{C}$ to $+125^\circ\text{C}$	93%			
VDD SUB-REGULATOR						
V_{DD}	Sub-Regulator Output Voltage	$I_{DD} = 25\text{ mA}$, $T_J = 25^\circ\text{C}$		4.5		V
		$I_{DD} = 25\text{ mA}$, $T_J = -40^\circ\text{C}$ to $+125^\circ\text{C}$	4		5	
ERROR AMPLIFIER						
BW_{-3dB}	Open Loop Bandwidth			2		MHz
A_{VOL}	Error Amp DC Gain			50		dB
V_{SLEW_RISE}	Error Amplifier Rising Slew Rate	$V_{FB} = 0.5\text{ V}$		5		V/ μs
V_{SLEW_FALL}	Error Amplifier Falling Slew Rate	$V_{FB} = 0.7\text{ V}$		3		V/ μs
I_{SOURCE}	COMP Source Current	$V_{FB} = 0.5\text{ V}$	8	12		mA
I_{SINK}	COMP Sink Current	$V_{FB} = 0.7\text{ V}$	4	12		mA
V_{COMP_MAX}	Max COMP Voltage	$V_{FB} = 0.5\text{ V}$		3.1		V
V_{COMP_MIN}	Min COMP Voltage	$V_{FB} = 0.7\text{ V}$		0.5		V
OVER CURRENT						
V_{OFFSET}	Comparator Voltage Offset	$T_J = 25^\circ\text{C}$		0		mV
		$T_J = -40^\circ\text{C}$ to $+125^\circ\text{C}$	-5		5	
I_{CS-}	Current Limit Offset Current	$V_{CS-} = 5\text{ V}$, $T_J = 25^\circ\text{C}$		10		μA
		$V_{CS-} = 5\text{ V}$, $T_J = -40^\circ\text{C}$ to $+125^\circ\text{C}$	9.5		10.5	
GATE DRIVE						
R_{DSON1}	High-Side FET Driver pullup On Resistance	$V_{CBOOT} - V_{SW} = 4.7\text{ V}$, $I_{HG} = +100\text{ mA}$		1.7		Ω
R_{DSON2}	High-Side FET Driver pulldown On Resistance	$V_{CBOOT} - V_{SW} = 4.7\text{ V}$, $I_{HG} = -100\text{ mA}$		1.2		Ω
R_{DSON3}	Low-Side FET Driver pullup On Resistance	$V_{VDD} = 4.7\text{ V}$, $I_{LG} = +100\text{ mA}$		1.7		Ω
R_{DSON4}	Low-Side FET Driver pulldown On Resistance	$V_{VDD} = 4.7\text{ V}$, $I_{LG} = -100\text{ mA}$		1		Ω
SOFT-START						
I_{SS}	Soft-Start Source Current	$V_{SS/TRACK} = 0\text{ V}$, $T_J = 25^\circ\text{C}$		3		μA
		$V_{SS/TRACK} = 0\text{ V}$, $T_J = -40^\circ\text{C}$ to $+125^\circ\text{C}$	2		4	
R_{SS_PD}	Soft-Start pulldown Resistance	$V_{SS/TRACK} = 0.6\text{ V}$		288		Ω

Electrical Characteristics (continued)

Unless otherwise stated, the following conditions apply: $V_{VIN} = 12\text{ V}$. Limits in standard type are for $T_J = 25^\circ\text{C}$ only. Minimum and maximum limits are specified through test, design, or statistical correlation. Typical values represent the most likely parametric norm at $T_J = 25^\circ\text{C}$ and are provided for reference purposes only.

PARAMETER		TEST CONDITIONS	MIN	TYP	MAX	UNIT
POWERGOOD						
I_{PGS}	PGOOD Low Sink Current	$V_{PGOOD} = 0.2\text{ V}$, $V_{FB} = 0.75\text{ V}$, $T_J = 25^\circ\text{C}$	60			μA
		$V_{PGOOD} = 0.2\text{ V}$, $V_{FB} = 0.75\text{ V}$, $T_J = -40^\circ\text{C}$ to $+125^\circ\text{C}$	0	100		
I_{PGL}	PGOOD Leakage Current	$V_{PGOOD} = 5\text{ V}$		1	10	μA
O_{VT}	Overvoltage Threshold	V_{FB} Rising, $T_J = 25^\circ\text{C}$		117%		
		V_{FB} Rising, $T_J = -40^\circ\text{C}$ to $+125^\circ\text{C}$	114%		120%	
O_{VT_HYS}	O_{VT} Hysteresis	V_{FB} Falling		2%		
U_{VT}	Undervoltage Threshold	V_{FB} Rising, $T_J = 25^\circ\text{C}$		94%		
		V_{FB} Rising, $T_J = -40^\circ\text{C}$ to $+125^\circ\text{C}$	91%		97%	
U_{VT_HYS}	U_{VT} Hysteresis	V_{FB} Falling		3%		
ENABLE						
V_{EN}	Enable Logic High Threshold	V_{EN} Rising, $T_J = 25^\circ\text{C}$		1.17		V
		V_{EN} Rising, $T_J = -40^\circ\text{C}$ to $+125^\circ\text{C}$	1.10		1.24	
V_{EN_HYS}	Enable Hysteresis	V_{EN} Falling		100		mV
I_{EN}	Enable Pin pullup Current	$V_{EN} = 0\text{ V}$		2		μA
FREQUENCY SYNCHRONIZATION						
V_{LH_SYNC}	SYNC Pin Logic High	$V_{VDD} = 4.7\text{ V}$, $T_J = -40^\circ\text{C}$ to $+125^\circ\text{C}$	2.0			V
V_{LL_SYNC}	SYNC Pin Logic Low	$V_{VDD} = 4.7\text{ V}$, $T_J = -40^\circ\text{C}$ to $+125^\circ\text{C}$			0.8	V
$SYNC_{FSW_L}$	Minimum Clock Sync Frequency	$T_J = -40^\circ\text{C}$ to $+125^\circ\text{C}$	200			kHz
$SYNC_{FSW_H}$	Maximum Clock Sync Frequency	$T_J = -40^\circ\text{C}$ to $+125^\circ\text{C}$			1200	kHz
THERMAL SHUTDOWN						
T_{SHD}	Thermal Shutdown	Temperature Rising		165		$^\circ\text{C}$
T_{SHD_HYS}	Thermal Shutdown Hysteresis	Temperature Falling		15		$^\circ\text{C}$

6.6 Timing Requirements

		MIN	NOM	MAX	UNIT
SOFT-START					
T_{SS_INT}	Internal Soft-Start Time		1.28		ms
POWERGOOD					
$T_{DEGLITCH}$	Deglitch Time	V_{PGOOD} Rising and Falling	20		μs

6.7 Switching Characteristics

over operating free-air temperature range (unless otherwise noted)

PARAMETER		TEST CONDITIONS	MIN	TYP	MAX	UNIT
SWITCHING						
T_{OFF_MIN}	Minimum Off Time	$V_{FB} = 0.5\text{ V}$, $T_J = 25^\circ\text{C}$		165		ns
		$V_{FB} = 0.5\text{ V}$, $T_J = -40^\circ\text{C}$ to $+125^\circ\text{C}$	125	5	205	
GATE DRIVE						
T_{DT}	Deadtime Timeout	$F_{SW} = 500\text{ kHz}$		40		ns

6.8 Typical Performance Characteristics

Unless otherwise stated, all data sheet curves were recorded using [Example Circuit 1](#). $V_{IN} = 12\text{ V}$.

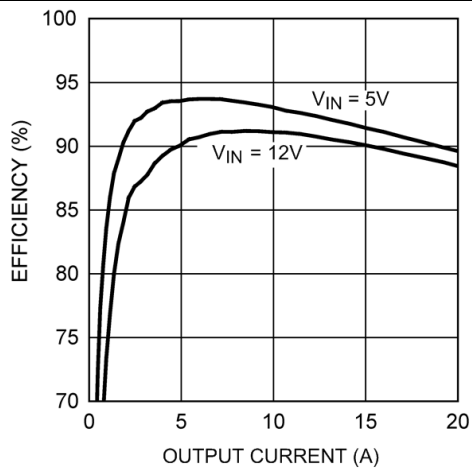


Figure 1. Efficiency ($V_{out} = 1.5\text{ V}$)

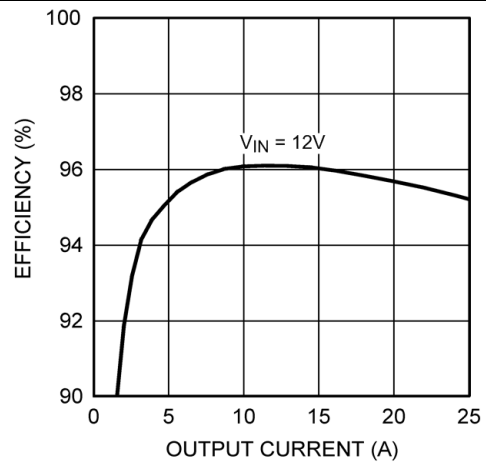


Figure 2. Efficiency ($V_{out} = 5\text{ V}$, [Example Circuit 2](#))

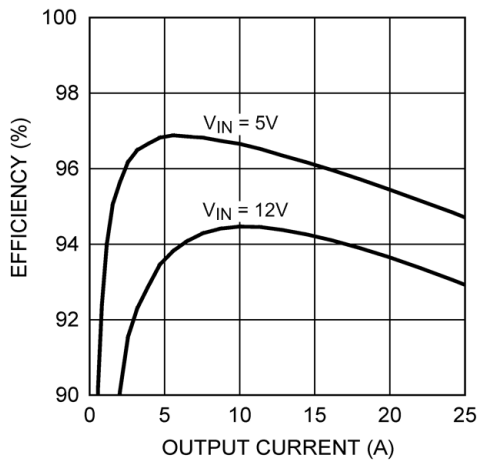


Figure 3. Efficiency ($V_{out} = 3.3\text{ V}$, [Example Circuit 2](#))

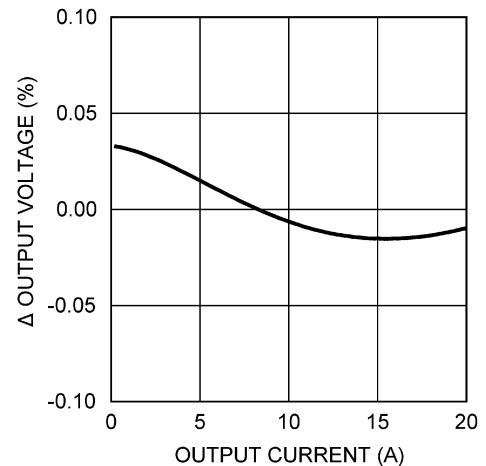


Figure 4. Load Regulation ($V_{out} = 1.5\text{ V}$)

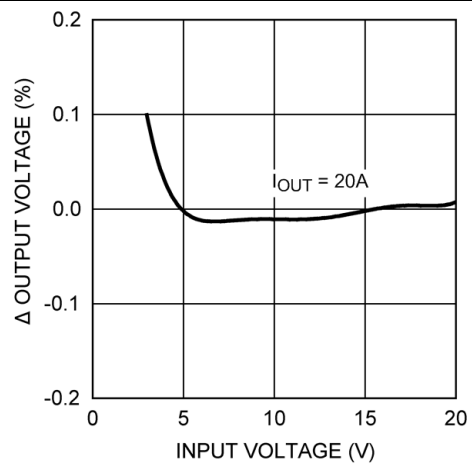


Figure 5. Line Regulation ($V_{out} = 1.5\text{ V}$)

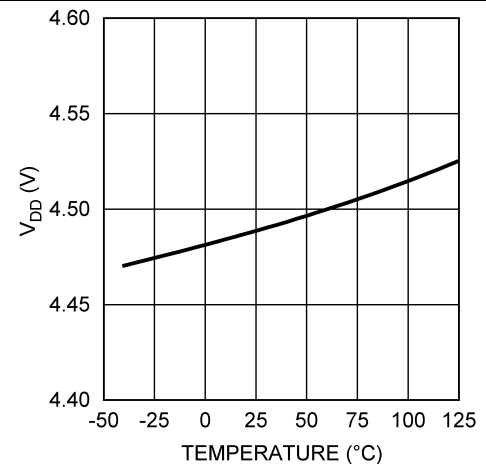


Figure 6. V_{DD} Voltage vs Temperature ($I_{VDD} = 25\text{ mA}$)

Typical Performance Characteristics (continued)

Unless otherwise stated, all data sheet curves were recorded using [Example Circuit 1](#). $V_{IN} = 12\text{ V}$.

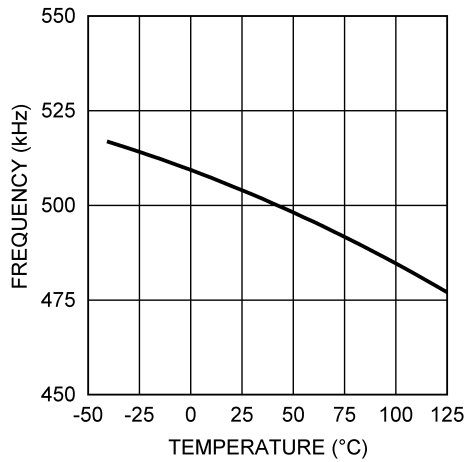


Figure 7. Frequency vs Temperature ($R_{FADJ} = 20\text{ k}\Omega$)

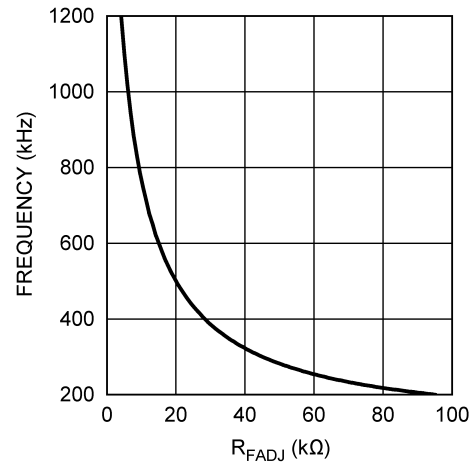


Figure 8. Frequency vs R_{FADJ}

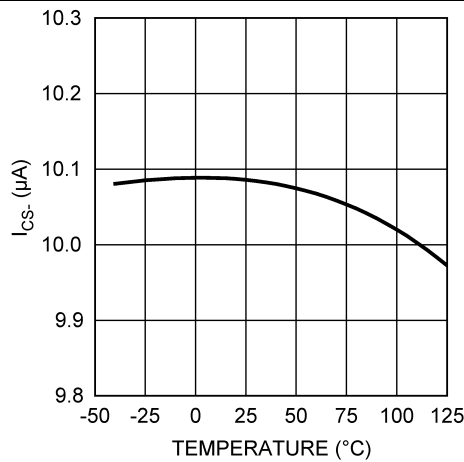


Figure 9. CS- Current Source vs Temperature

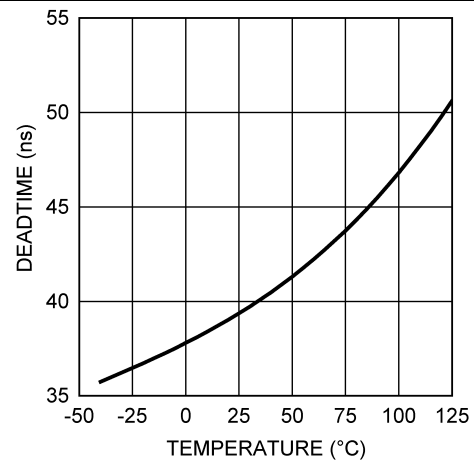


Figure 10. Deadtime vs Temperature

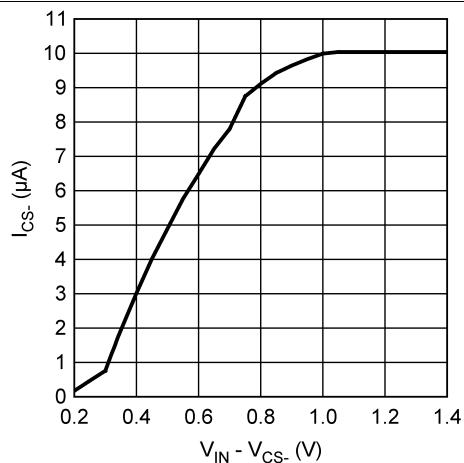


Figure 11. CS- Current Source Compliance Voltage

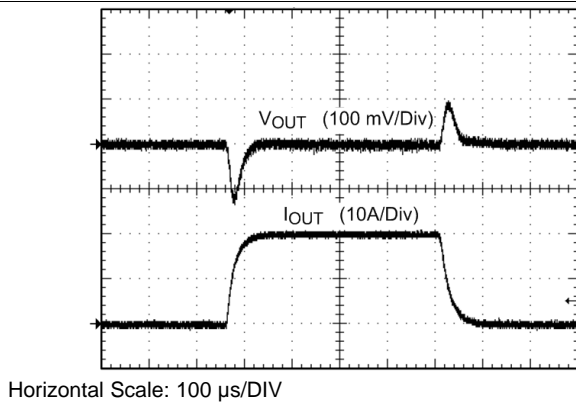
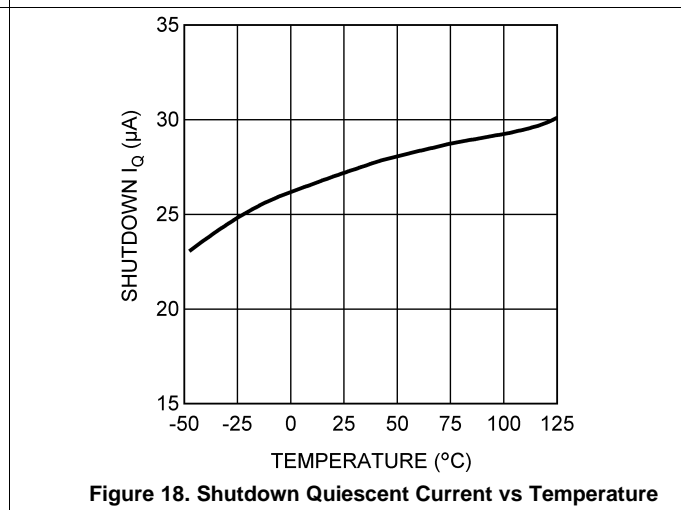
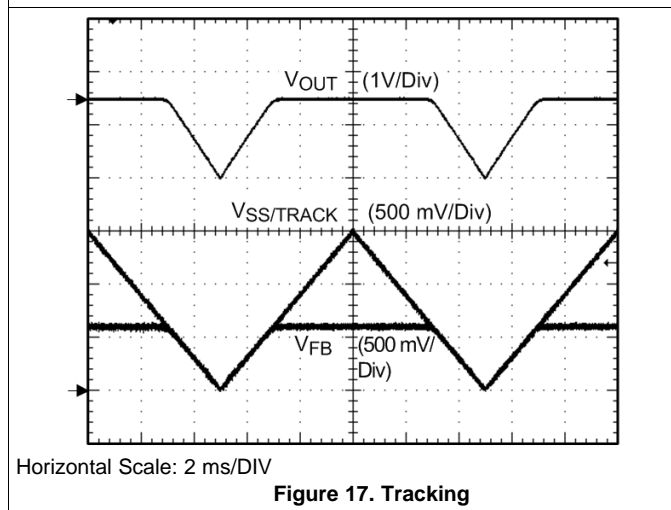
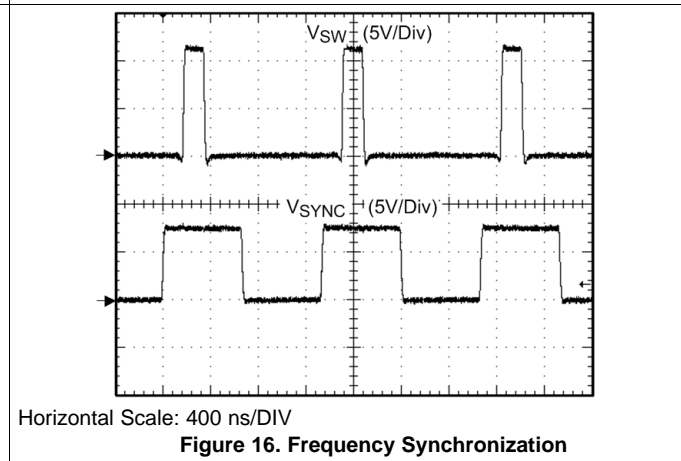
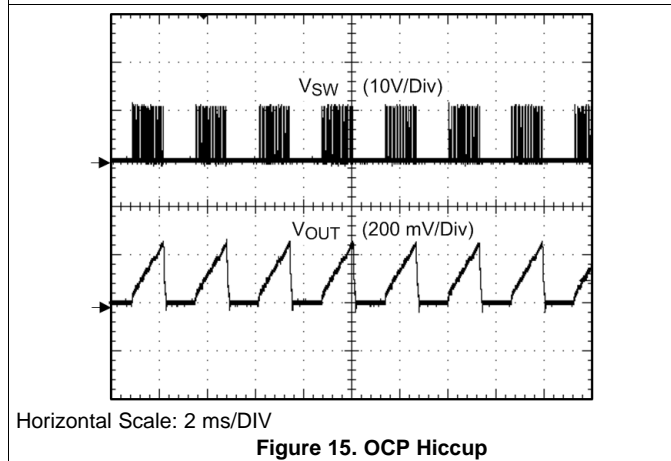
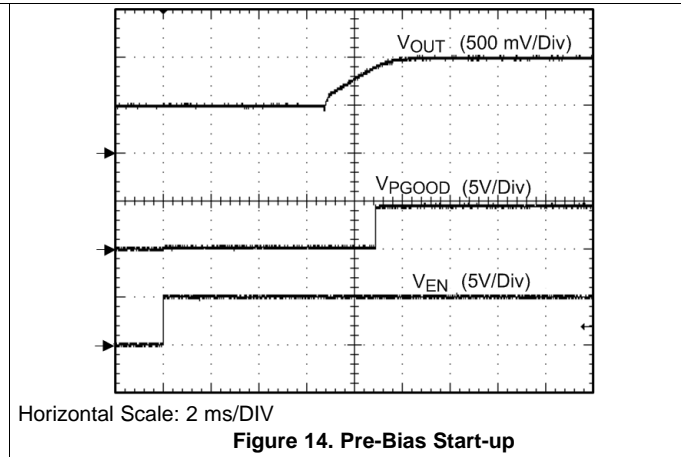
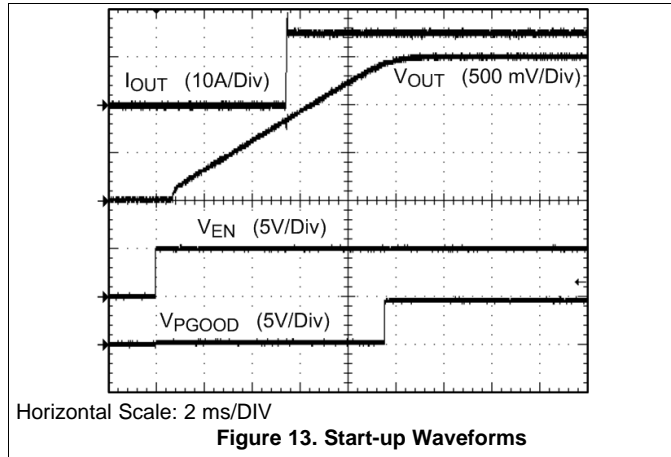


Figure 12. Load Transient

Typical Performance Characteristics (continued)

Unless otherwise stated, all data sheet curves were recorded using [Example Circuit 1](#). $V_{IN} = 12\text{ V}$.



Typical Performance Characteristics (continued)

Unless otherwise stated, all data sheet curves were recorded using [Example Circuit 1](#). $V_{IN} = 12\text{ V}$.

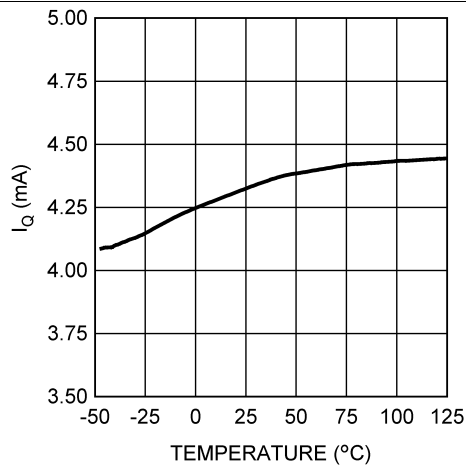


Figure 19. Quiescent Current vs Temperature

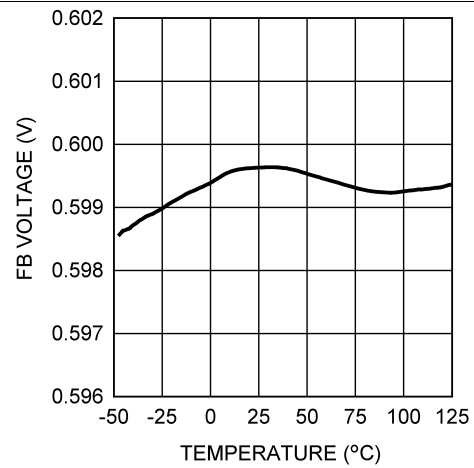


Figure 20. Feedback Voltage vs Temperature

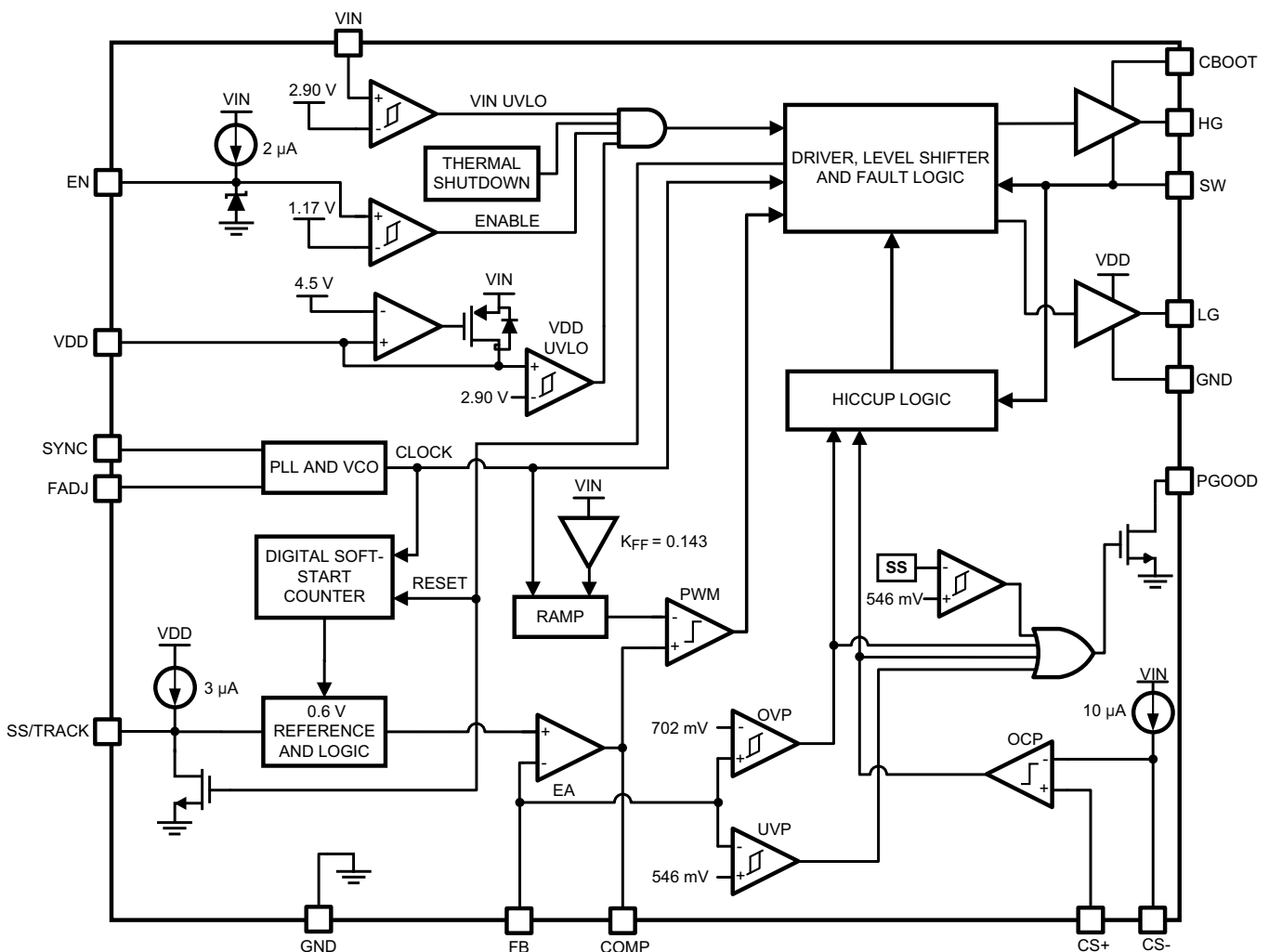
7 Detailed Description

7.1 Overview

The LM27402 is a feature-rich, easy-to-use, single-phase, synchronous PWM DC/DC step-down controller capable of providing an ultrahigh current output for demanding POL applications. An input voltage range of 3 V to 20 V is compatible with a wide range of intermediate bus system rails and battery chemistries, especially 3.3-V, 5-V, and 12-V inputs. The output voltage is adjustable from 0.6 V to as high as 95% of the input voltage, with better than $\pm 1\%$ feedback system regulation accuracy over the full junction temperature range. With an adjustable inductor DCR based current limit setpoint, ferrite and composite cored inductors with low DCR and small footprint can be specified to maximize efficiency and reduce power loss. High-current gate drivers with adaptive deadtime are used for the high-side and low-side power MOSFETs to provide further efficiency gains.

The LM27402 employs a voltage-mode control loop with input voltage feedforward to accurately regulate the output voltage over substantial load, line, and temperature ranges. The switching frequency is programmable between 200 kHz and 1.2 MHz through a resistor or an external synchronization signal. The LM27402 is available in thermally-enhanced WQFN-16 and HTSSOP-16 packages with 0.65-mm lead pitch. The device offers high levels of integration by including MOSFET gate drivers, a low dropout (LDO) bias supply regulator, and comprehensive fault protection features to enable highly flexible, reliable, energy-efficient, and high density regulator solutions. Multiple fault conditions are accommodated, including overvoltage, undervoltage, overcurrent, and overtemperature.

7.2 Functional Block Diagram



7.3 Feature Description

7.3.1 Wide Input Voltage Range

The LM27402 operating input voltage range is from 3 V to 20 V. The device is intended for POL conversions from 3.3-V, 5-V, and 12-V unregulated, semiregulated and fully regulated supply rails. It is also suitable for connection to intermediate bus converters with output rails centered at 12 V and 9.6 V (derived from 4:1 and 5:1 primary-secondary transformer step-downs in nonregulated full-bridge converter topologies) and voltage levels intrinsic to a wide variety of battery chemistries.

The LM27402 uses an internal LDO subregulator to provide a 4.5-V bias rail for the gate drive and control circuits (assuming the input voltage is higher than 4.5 V plus the necessary subregulator dropout specification). Naturally, it can be more favorable to connect VDD directly to the input during low input voltage operation ($V_{VIN} < 5.5$ V). In summary, connecting VDD to VIN during low input voltage operation provides a greater gate drive voltage level and thus an inherent efficiency benefit. However, by virtue of the low subregulator dropout voltage, this VDD to VIN connection is not mandatory, thus enabling input ranges from 3 V up to 20 V.

In general, the subregulator is rated to drive the two internal gate driver stages in addition to the quiescent current associated with the operation of the LM27402. VDD and VIN pins of the LM27402 can be tied together if the input voltage is ensured not to exceed 5.5 V (absolute maximum 6 V). This connection bypasses the internal LDO bias regulator and eliminates the LDO dropout voltage and power dissipation. An RC filter from the input rail to the VIN pin, for example 2.2 Ω and 1 μ F, presents supplementary filtering at the VIN pin. Low gate threshold voltage MOSFETs are recommended for this configuration.

7.3.2 UVLO

An undervoltage lockout is built into the LM27402 that allows the device to only switch if the input voltage (VIN) and the internal sub-regulated voltage (VDD) both exceed 2.9 V. A UVLO hysteresis of 300 mV on both VDD and VIN prevents power-on and -off anomalies related to input voltage deviations.

7.3.3 Precision Enable

The EN pin of the LM27402 allows the output to be toggled on and off and is a precision analog input. When the EN voltage exceeds 1.17 V, the controller initiates the soft-start sequence as long as the input voltage and sub-regulated voltage have exceeded their UVLO thresholds of 2.9 V. The EN pin has an absolute maximum voltage rating of 6.0 V and should not exceed the voltage on VDD. There is an internal 2 μ A pullup current source connected to the EN pin. If EN is open, the LM27402 turns on automatically if VIN and VDD exceed 2.9 V. If the EN voltage is held below 0.8 V, the LM27402 enters a deep shutdown state where the internal bias circuitry is off. The quiescent current is approximately 35 μ A in deep shutdown. The EN pin has 100 mV of hysteresis to reject noise and allow the pin to be resistively coupled to the input voltage or sequenced with other rails.

7.3.4 Soft-Start and Voltage Tracking

When the EN pin exceeds 1.17 V and both VIN and VDD exceed their UVLO thresholds, the LM27402 begins charging the output linearly to the voltage level dictated by the feedback resistor network. The soft-start time is set by connecting a capacitor from SS/TRACK to GND. After EN exceeds 1.17 V, an internal 3- μ A current source begins to linearly charge the soft-start capacitor. Soft-start allows the user to limit inrush currents related to high output capacitance and output slew rate. If a soft-start capacitor is not used, the LM27402 defaults to a digitally-controlled start-up time of 1.28 ms. The SS/TRACK pin can also be used to ratiometrically or coincidentally track an external voltage source. See the [Setting the Soft-Start Time and Tracking](#) sections for more information.

7.3.5 Output Voltage Setpoint and Accuracy

The reference voltage seen at the FB pin is set at 0.6 V, and a feedback system accuracy of $\pm 1\%$ over the full junction temperature range is met. Junction temperature range for the LM27402 is -40°C to $+125^{\circ}\text{C}$. While somewhat dependent on frequency and load current levels, the LM27402 is generally capable of providing output voltages in the range of 0.6 V to a maximum of greater than 90% VIN. The dc output voltage during normal operation is set by the feedback resistor network connected to VOUT.

Feature Description (continued)

7.3.6 Voltage-Mode Control

The LM27402 incorporates a voltage-mode control loop implementation with input voltage feedforward to eliminate the input voltage dependence of the PWM modulator gain. This configuration allows the controller to maintain stability throughout the entire input voltage operating range and provides for optimal response to input voltage transient disturbances. The constant gain provided by the controller greatly simplifies feedback loop design because loop characteristics remain constant as the input voltage changes, unlike a buck converter without voltage feedforward. An increase in input voltage is matched by a concomitant increase in ramp voltage amplitude to maintain constant modulator gain. The input voltage feedforward gain, k_{FF} , is 1/7, equivalent to the ramp amplitude divided by the input voltage, V_{RAMP}/V_{IN} . See the [Control Loop Compensation](#) section for more detail.

7.3.7 Power Good

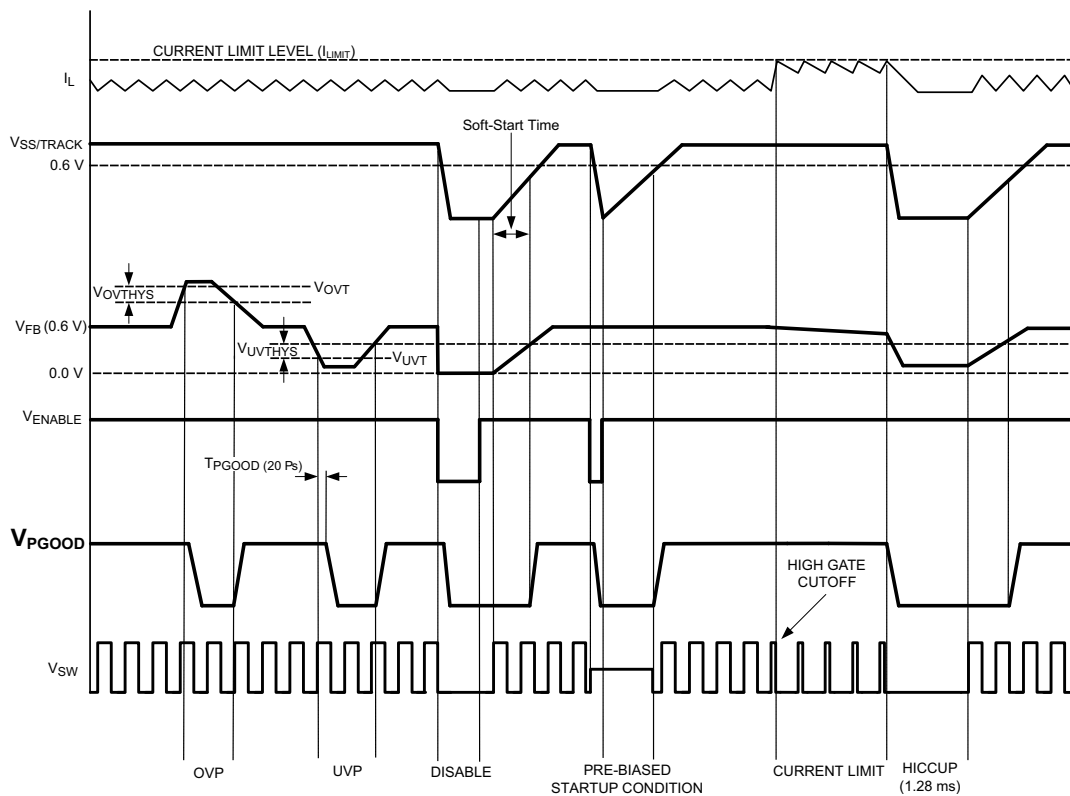


Figure 21. Power Good Behavior

The PGOOD flag of the LM27402 is used to signal when the output is out of regulation or during nonregulated pre-biased conditions. This means that current limit, UVLO, overvoltage threshold, undervoltage threshold, or a non-regulated output will cause the PGOOD pin to pull low. To prevent glitches to PGOOD, a 20- μ s deglitch filter is built into the LM27402. [Figure 21](#) illustrates when the PGOOD flag is asserted low.

7.3.8 Inductor-DCR-Based Overcurrent Protection

The LM27402 exploits the filter inductor DCR (DC resistance) to detect overcurrent events. This technique enables lossless and continuous monitoring of the output current using an RC sense network in parallel with the inductor. DCR current sensing allows the system designer to use inductors specified with tight tolerance DCRs to improve the current limit setpoint accuracy. A DC current limit setpoint accuracy within the range of 10% to 20% is achieved using inductors with low DCR tolerances.

Feature Description (continued)

7.3.9 Current Sensing

As mentioned, the LM27402 implements a lossless inductor DCR lossless current sense scheme designed to provide both accurate overload (current limit) and short-circuit protection. Figure 22 shows the popular inductor DCR current sense method. Figure 23 shows an implementation with current shunt resistor, R_{ISNS} .

Components R_S and C_S in Figure 22 create a low-pass filter across the inductor to enable differential sensing of the inductor DCR voltage drop. When $R_S C_S$ is equal to L/R_{DCR} , the voltage developed across the sense capacitor, C_S , is a replica of the voltage waveform of the inductor DCR. Choose the capacitance of C_S greater than $0.1 \mu\text{F}$ to maintain low impedance of the sense network, thus reducing the susceptibility of noise pickup from the switch node.

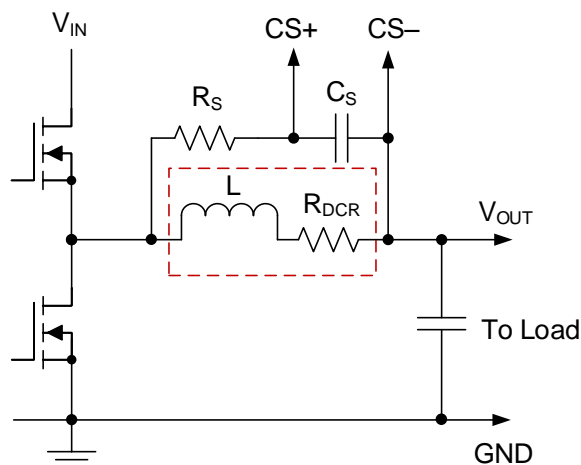


Figure 22. Current Sensing Using Inductor DCR

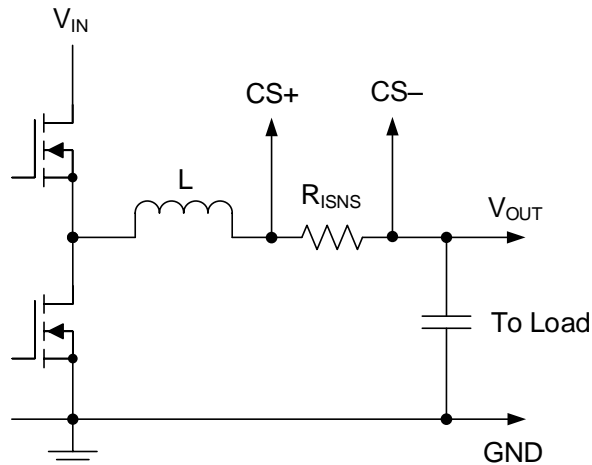


Figure 23. Current Sensing Using Shunt Resistor

Note that the inductor DCR is shown schematically as a discrete element in Figure 22. With power inductors selected to provide lowest possible DCR to minimize power losses, the typical DCR ranges from $0.4 \text{ m}\Omega$ to $4 \text{ m}\Omega$. Then, given a load current of 25 A , the voltage presented across the CS+ and CS- pins ranges between 10 mV and 100 mV .

A current sense (or current shunt) resistor in series with the inductor can also be implemented at lower output current levels to provide accurate overcurrent protection, see Figure 23. Burdened by the unavoidable efficiency penalty and/or additional cost implications, this configuration is not usually implemented in high-current applications (except where OCP setpoint accuracy and stability over the operating temperature range are critical specifications).

7.3.10 Power MOSFET Gate Drivers

The LM27402 gate driver impedances are low enough to perform effectively in high output current applications where large die-size or paralleled MOSFETs with correspondingly large gate charge, Q_G , are used. Measured at $V_{VDD} = 4.7 \text{ V}$, the LM27402's low-side driver has a low impedance pulldown path of 1Ω to minimize the effect of dv/dt induced turn-on, particularly with low gate-threshold voltage MOSFETs. Similarly, the high-side driver has $1.7\text{-}\Omega$ and $1.2\text{-}\Omega$ pull-up and pulldown impedances, respectively, for faster switching transition times, lower switching loss, and greater efficiency.

Furthermore, there is a proprietary adaptive deadtime control on both switching edges to prevent shoot-through and cross-conduction, minimize body diode conduction time, and reduce body diode reverse recovery related losses. The LM27402 is fully compatible with discrete NexFET™ Power Block MOSFETs from TI.

7.3.11 Pre-Bias Start-up

In certain applications, the output may acquire a pre-bias voltage before the LM27402 is powered on or enabled. Pre-biased conditions are managed by preventing switching until the soft-start (SS/TRACK) voltage exceeds the feedback (FB) voltage. When $V_{SS/TRACK}$ exceeds V_{FB} , the LM27402 begins to switch synchronously and regulate the output voltage.

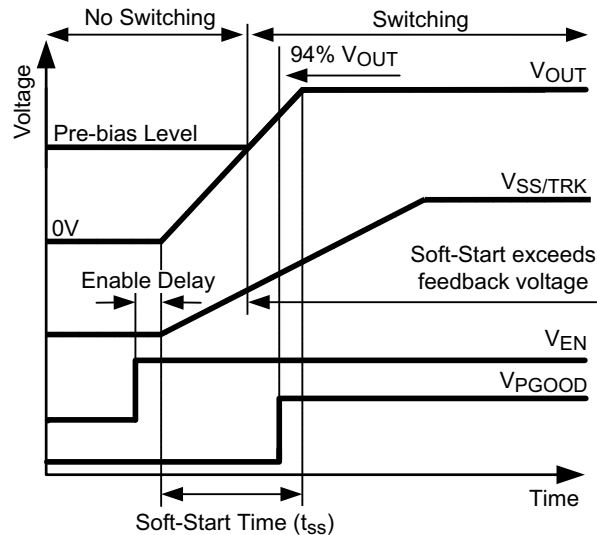


Figure 24. Pre-Bias Start-up

Prohibiting switching during a pre-biased start-up condition prevents the output from forcing parasitic paths in the system application to conduct excessive current. The LM27402 does not switch if the output is pre-biased to a voltage higher than the nominally-set output voltage.

7.4 Device Functional Modes

7.4.1 Fault Conditions

Overcurrent, overtemperature, output undervoltage, and overvoltage protection features are included in the LM27402.

7.4.1.1 Thermal Protection

Internal thermal shutdown is provided to protect the controller in the event that the maximum junction temperature of approximately 165°C has been exceeded. Both the high-side and low-side power MOSFETs are turned off during this condition. During a thermal fault condition, PGOOD is held at logic zero.

7.4.1.2 Current Limit

The LM27402 may enter two states when a current limit event is detected. If a current limit condition has occurred, the high-side power MOSFET is immediately turned off until the next switching cycle. This is considered the first current limit state and provides an immediate response to any current limit event. During the first state, an internal counter begins to record the number of overcurrent events. The counter is reset if 32 consecutive switching cycles occur with no current limit events detected. If five overcurrent events are detected within 32 switching cycles, the LM27402 then enters into a hiccup mode state. During hiccup mode, the LM27402 enters shutdown for 1.28 ms and then attempt to restart again. When transitioning into hiccup mode, the high-side MOSFET is turned off and the low-side MOSFET is turned on. As the inductor current reaches zero subsequent to the overcurrent event, the low-side MOSFET is turned off and the switch-node becomes high impedance to prepare for the next start-up sequence. The soft-start capacitor is discharged through an internal pulldown FET to reinitialize the start-up sequence. To illustrate how the LM27402 behaves during current limit faults, an overcurrent scenario is illustrated in [Figure 25](#).

Device Functional Modes (continued)

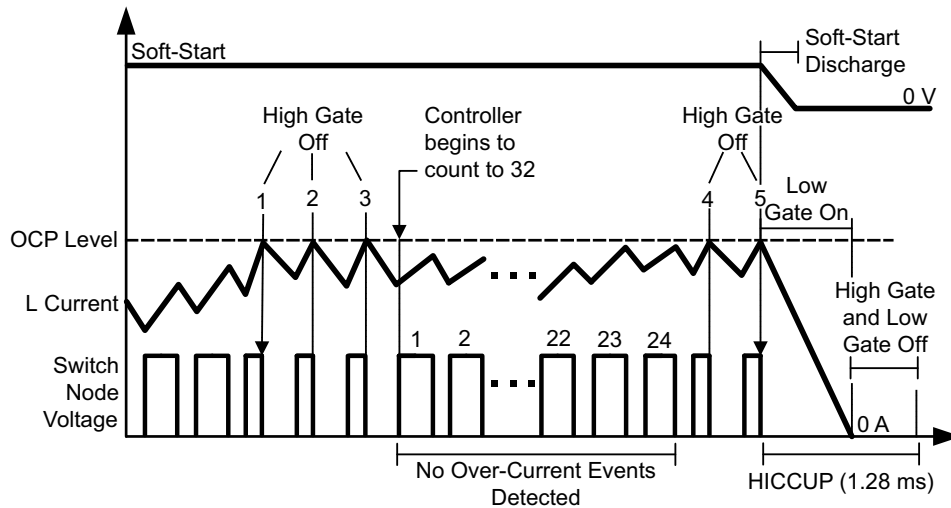


Figure 25. Current Limit Timing Diagram

In the example shown in Figure 25, the LM27402 immediately turns off the high-side MOSFET when an overcurrent event is detected. After the third overcurrent event is detected, 24 switching cycles occur before the fourth overcurrent pulse is detected. Because the current limit logic does not count 32 switching cycles between two overcurrent events, the internal current limit counter is not reset and continues counting until the LM27402 enters hiccup mode. The soft-start capacitor is then discharged to initialize start-up and a wait period of 1.28 ms occurs.

7.4.1.3 Negative Current Limit

To prevent excess negative current, the LM27402 implements a negative current limit through the low-side MOSFET. Negative current limit is only enabled when an output overvoltage event is detected. Should such an overvoltage fault occur, the low-side MOSFET turns off if the SW voltage exceeds a positive 100 mV during the low-side MOSFET conduction time, thereby protecting the power stage from excessive negative current.

7.4.1.4 Undervoltage Threshold (UVT)

The FB pin is also monitored for an output voltage excursion below the nominal level. However, if the UVT comparator is tripped, no action occurs on the normal switching cycles. The UVT signal is used solely as a valid condition for the Power Good flag to transition low. When the FB voltage exceeds 94% of the reference voltage, the Power Good flag transitions high. Conversely, the Power Good flag transitions low when the FB voltage is less than 91% of the reference.

7.4.1.5 Overvoltage Threshold (OVT)

When the FB voltage exceeds 117% of the reference voltage, the Power Good flag transitions low after a 20-μs deglitch. The control loop attempts to bring the output voltage back to the nominal setpoint. Conversely, when the FB voltage goes below 115% of the reference, the Power Good flag is allowed to transition high. Negative current-limit detection is activated when the regulator is in an OV condition. See the Negative Current Limit section for more details.

8 Application and Implementation

NOTE

Information in the following applications sections is not part of the TI component specification, and TI does not warrant its accuracy or completeness. TI's customers are responsible for determining suitability of components for their purposes. Customers must validate and test their design implementation to confirm system functionality.

8.1 Application Information

8.1.1 Converter Design

As with any DC/Dc converter, numerous tradeoffs are required to optimize the design for efficiency, size, or performance. Such tradeoffs are highlighted throughout the following discussion. To facilitate component selection, the circuit shown in [Figure 26](#) may be used as a reference. Unless otherwise indicated, all formulae assume units of Amps (A) for current, Farads (F) for capacitance, Henries (H) for inductance and Volts (V) for voltage.

[Figure 26](#) shows R_F and C_F acting as an RC filter to the VIN pin of the LM27402. The filter is used to attenuate voltage ripple that may exist on the input rail particularly during high output currents. The recommended values of R_F and C_F are 2.2 Ω and 1 μF , respectively. There is a practical limit to the size of R_F as it can cause a large voltage drop if large operating bias currents are present. The VIN pin of the LM27402 must not exceed 150 mV difference from the input voltage rail (V_{IN}).

[Equation 1](#) is used to calculate for any buck converter is duty ratio:

$$D = \frac{V_{OUT}}{V_{IN}} \times \frac{1}{\eta} \quad (1)$$

Due to the resistive powertrain losses, the duty ratio will increase based on the overall efficiency, η . Calculation of η can be found in the [Power Loss and Efficiency Calculations](#) section of this data sheet.

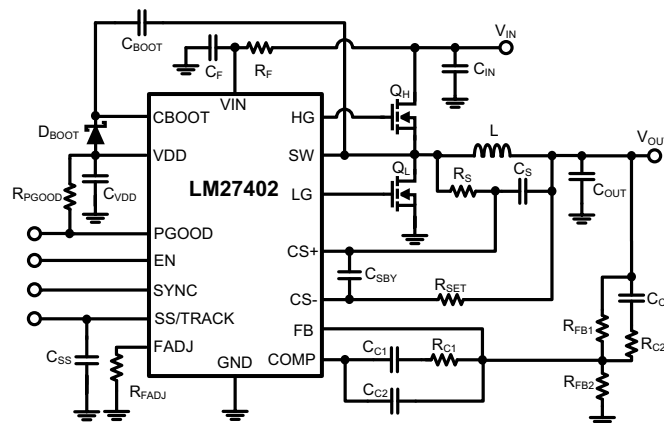


Figure 26. Typical Application Circuit

Application Information (continued)

8.1.2 Inductor Selection (L)

The inductor value is determined based on the operating frequency, load current, ripple current, and duty ratio. The selected inductor must have a saturation current rating greater than the peak current limit of the LM27402. To optimize the performance, the inductance is typically selected such that the ripple current, ΔI_L , is between 20% and 40% of the rated output current. Figure 27 illustrates the switch voltage and inductor ripple current waveforms. Once the nominal input voltage, output voltage, operating frequency, and desired ripple current are known, the minimum inductance value can be calculated by Equation 2:

$$L_{\text{MIN}} = \frac{(V_{\text{IN}} - V_{\text{OUT}}) \times D}{\Delta I_L \times f_{\text{SW}}} \quad (2)$$

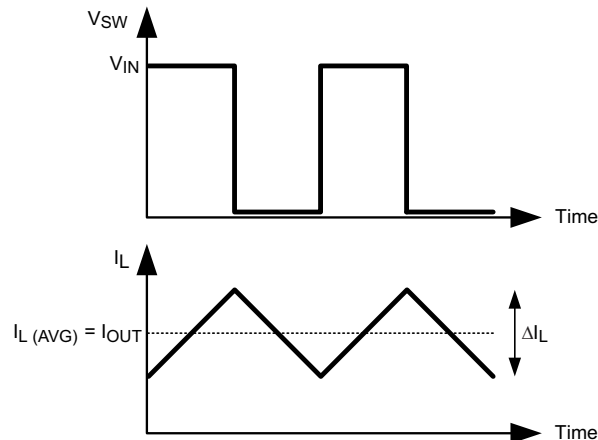


Figure 27. Switch Voltage and Inductor Current Waveforms

The peak inductor current at maximum load, $I_{\text{OUT}} + \Delta I_L / 2$, should be kept adequately below the peak current limit setpoint of the device.

8.1.3 Output Capacitor Selection (C_{OUT})

The output capacitor, C_{OUT} , filters the inductor ripple current and provides a source of charge for transient load events. A wide range of output capacitors may be used with the LM27402 that provide excellent performance, including ceramic, tantalum, or electrolytic type chemistries. Typically, ceramic capacitors provide extremely low ESR to reduce the output ripple voltage and noise spikes, while tantalum and electrolytic capacitors provide a large bulk capacitance in a small size for transient loading events. When selecting the output capacitance, the two performance characteristics to consider are output voltage ripple and transient response. The output voltage ripple is approximated by Equation 3:

$$\Delta V_{\text{OUT}} = \Delta I_L \times \sqrt{R_{\text{ESR}}^2 + \left(\frac{1}{8 \times f_{\text{SW}} \times C_{\text{OUT}}} \right)^2} \quad (3)$$

where ΔV_{OUT} is the amount of peak-to-peak voltage ripple at the power supply output, R_{ESR} is the equivalent series resistance of the output capacitor, f_{SW} is the switching frequency, and C_{OUT} is the output capacitance used in the design. The tolerable output ripple amplitude is application specific; however a general recommendation is to keep the output ripple less than 1% of the rated output voltage. Note that ceramic capacitors are sometimes preferred because they have very low ESR; however, depending on package and voltage rating of the capacitor, the effective in-circuit capacitance can drop significantly with applied voltage and operating temperature.

Application Information (continued)

The output capacitor also affects the output voltage deviation during a load current transient. The peak output voltage deviation is dependent on many factors such as output capacitance, output capacitor ESR, filter inductance, control loop bandwidth, powertrain parasitics, and so on. Given sufficient control loop bandwidth, a good approximation of the output voltage deviation is seen in [Equation 4](#):

$$\Delta V_{TR} = \frac{L \times \Delta I_{O}^2}{2 \times C_{OUT} \times V_L} + \frac{R_{ESR}^2 \times C_{OUT} \times V_L}{2 \times L} \quad (4)$$

ΔV_{TR} is the transient output voltage deviation, ΔI_{OUT} is the load current step change and L is the filter inductance. V_L is the minimum inductor voltage, which is duty ratio dependent.

$V_L = V_{OUT}$, if $D \leq 0.5$,

$V_L = V_{IN} - V_{OUT}$, if $D > 0.5$

For a desired ΔV_{TR} , a minimum output capacitance is found by [Equation 5](#):

$$C_{OUT} \geq \frac{L \times \Delta I_{OUT}^2}{\Delta V_{TR} \times V_L} \times \frac{1}{1 + \sqrt{1 - \left(\frac{R_{ESR} \times \Delta I_{OUT}}{\Delta V_{TR}} \right)^2}} \quad (5)$$

8.1.4 Input Capacitor Selection (C_{IN})

Input capacitors are necessary to limit the input ripple voltage while supplying much of the switch current during the high-side MOSFET on-time. It is generally recommended to use ceramic capacitors at the input as they provide both a low impedance and a high RMS current rating. It is important to choose a stable dielectric for the ceramic capacitor such as X5R or X7R. A quality dielectric provides better temperature performance and also avoids the DC voltage derating inherent with Y5V capacitors. Place the input capacitor as close as possible to the drain of the high-side MOSFET and the source of the low-side MOSFET. Non-ceramic input capacitors must be selected for RMS current rating, minimum ripple voltage, and to provide damping. A good approximation for the required ripple current rating is given by the relationship of [Equation 6](#):

$$I_{CIN_RMS} \approx I_{OUT} \times \sqrt{D \times (1 - D)} \quad (6)$$

The highest requirement for RMS current rating occurs for $D = 0.5$. When $D = 0.5$, the RMS ripple current rating of the input capacitor must be greater than half the output current. Low ESR ceramic capacitors can be placed in parallel with higher valued bulk capacitors to provide optimized input filtering for the regulator. The input voltage ripple is calculated using [Equation 7](#):

$$\Delta V_{IN} = \frac{I_{OUT} \times D \times (1 - D)}{C_{IN} \times f_{SW}} + \left(I_{OUT} + \frac{\Delta I_L}{2} \right) \times R_{ESR_CIN} \quad (7)$$

The minimum amount of input capacitance as a function of desired input voltage ripple is estimated using [Equation 8](#):

$$C_{IN} \geq \frac{I_{OUT} \times D \times (1 - D)}{\left(\Delta V_{IN} - \left(I_{OUT} + \frac{\Delta I_L}{2} \right) \times R_{ESR_CIN} \right) \times f_{SW}} \quad (8)$$

8.1.5 Using Precision Enable

If enable (EN) is not controlled directly, the LM27402 can be pre-programmed to turn on at an input voltage higher than the UVLO voltage. This is done with an external resistor divider from V_{IN} to EN and EN to GND as shown in [Figure 28](#).

Application Information (continued)

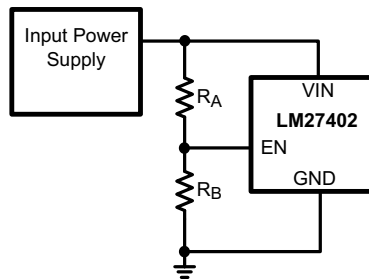


Figure 28. Enable Sequencing

The resistor values of R_A and R_B are relatively sized to allow the EN pin to reach the precision enable threshold voltage at the appropriate input supply voltage. With the enable current source considered, the equation to solve for R_A is Equation 9:

$$R_A = \frac{R_B(V_{IN} - 1.17V)}{1.17V - I_{EN} \times R_B} \quad (9)$$

where R_A is the resistor from VIN to EN, R_B is the resistor from EN to GND, I_{EN} is the internal enable pull-up current (2 μ A) and 1.17 V is the fixed precision enable threshold voltage. Typical values for R_B range from 10 k Ω to 100 k Ω .

8.1.6 Setting the Soft-Start Time

Adding a soft-start capacitor reduces inrush currents and provides a monotonic start-up. The soft-start capacitance is calculated by Equation 10:

$$C_{SS} = \frac{t_{SS} \times I_{SS}}{0.6V} \quad (10)$$

As shown, the C_{SS} capacitance is set by the desired soft-start time t_{SS} , the soft-start current I_{SS} (3 μ A) and the nominal feedback (FB) voltage level of 0.6 V. If V_{VIN} and V_{VDD} are above their UVLO voltage levels (2.9 V) and EN is above the precision enable threshold (1.17 V), the soft-start sequence begins. The LM27402 defaults to a minimum start-up time of 1.28 ms when a soft-start capacitor is not connected. In other words, the LM27402 will not start-up faster than 1.28 ms. The soft-start capacitor is discharged when enable is cycled, during UVLO, OTP, or when the LM27402 enters hiccup mode from an overcurrent event.

There is a delay between EN transitioning above 1.17 V and the beginning of the soft-start sequence. The delay allows the LM27402 to initialize its internal circuitry. Once the output has charged to 94% of the nominal output voltage and SS/TRACK has exceeded 564 mV, the PGOOD indicator transitions high as illustrated in Figure 29.

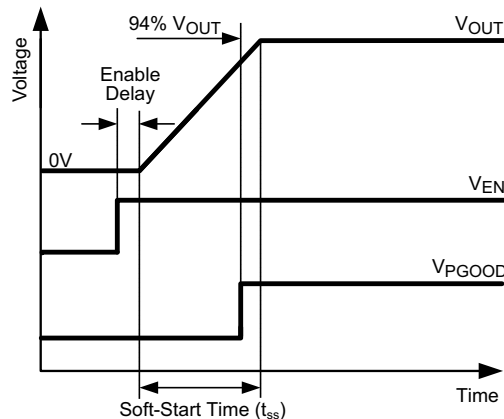


Figure 29. Soft-Start Timing

Application Information (continued)

8.1.7 Tracking

The SS/TRACK pin also functions as a tracking pin when external power supply tracking is needed. Tracking is achieved by simply dividing down the external supply voltage with a simple resistor network shown in Figure 30. With the correct resistor divider configuration, the LM27402 can track an external voltage source to obtain a coincident or ratiometric start-up behavior.

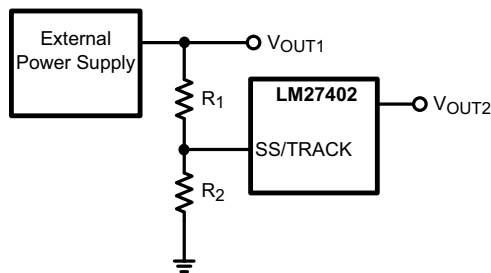


Figure 30. Tracking an External Power Supply

Because the soft-start charging current I_{SS} is sourced from the SS/TRACK pin, the size of R_2 must be less than 10 k Ω to minimize errors in the tracking output. Once a value for R_2 is selected, calculate the value for R_1 using the appropriate equation in Figure 31 to give the desired start-up sequence. Figure 31 shows two common start-up sequences; the upper waveform shows a coincidental start-up while the lower waveform illustrates a ratiometric start-up. A coincidental configuration provides a robust start-up sequence for certain applications because it avoids turning on any parasitic conduction paths that may exist between loads. A ratiometric configuration is preferred in applications where both supplies need to be at the final steady-state voltage at the same time.

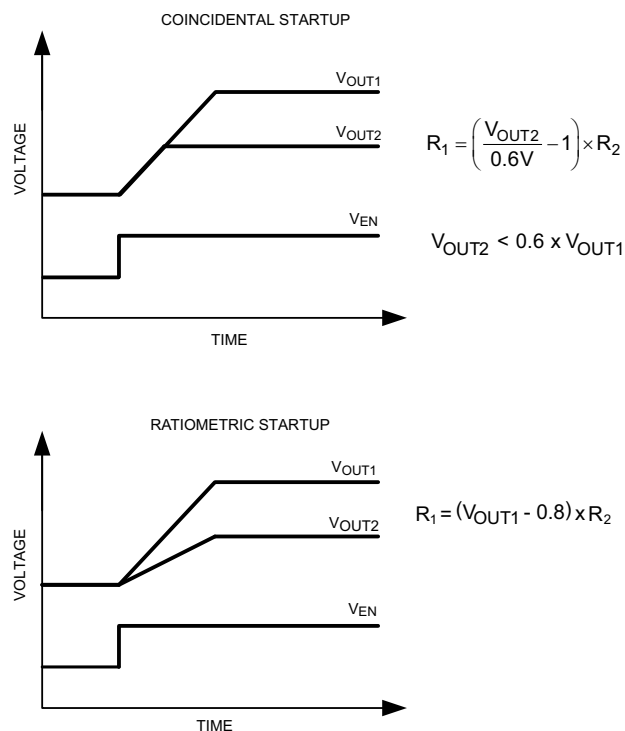


Figure 31. Tracking Start-up Sequences

Similar to the soft-start function, the fastest possible startup time is 1.28 ms regardless of the rise time of the tracking voltage. When using the track feature, the final voltage seen by the SS/TRACK pin should exceed 0.8 V to provide sufficient overdrive and transient immunity.

Application Information (continued)

8.1.8 Setting the Switching Frequency

There are two options for setting the switching frequency of the LM27402. The frequency is adjusted by an external resistor from FADJ to GND, or the user can synchronize the LM27402 to an external clock signal using SYNC. The LM27402 only synchronizes to frequencies above the frequency set by the R_{FADJ} resistor. The clock signal must range from less than 0.8 V to greater than 2.0 V to ensure proper operation. If the clock signal ceases, the switching frequency reduces to the free-running frequency set by the FADJ resistor. The frequency range is 200 kHz to 1.2 MHz. The sync-in clock can synchronize at a maximum of 400 kHz above the frequency set by the resistor. To find the resistance needed for a given frequency, use the following equation: (f_{SW} (kHz), R_{FADJ} (k Ω))

$$R_{FADJ} = \frac{100}{\frac{f_{SW}}{100} - 1} - 5 \quad (11)$$

8.1.9 Setting the Current Limit Threshold

As mentioned in the [Current Sensing](#) section, the LM27402 exploits the filter inductor DCR to detect overcurrent events. If desired, the user can employ inductors with low tolerance DCR to increase the accuracy of the current limit threshold. The most common circuit arrangement for sensing the inductor DCR voltage is shown in [Figure 32](#).

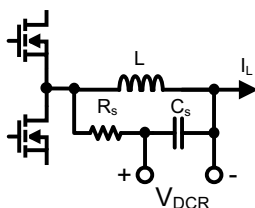


Figure 32. Inductor DCR Current Sensing Circuit

The most accurate sensing of the differential voltage across the inductor DCR is achieved by matching the time constant of the $R_S C_S$ sense filter with the inductor's L/R_{DCR} time constant. If the time constants are matched, the voltage across the capacitor follows the voltage across the DCR. A typical range of capacitance used in the $R_S C_S$ network is 100 nF to 1 μ F. The equation to match the time constants is:

$$R_S C_S = \frac{L}{R_{DCR}} \quad (12)$$

Adjust the current limit threshold to any level with a single resistor from the current limit comparator to the output voltage pin. Use the circuit in [Figure 33](#) to set the current limit.

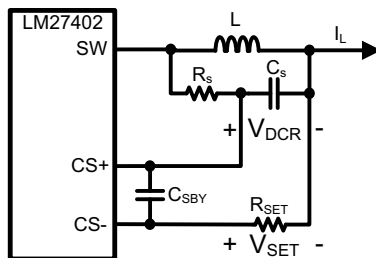


Figure 33. Adjusting the Current Limit Setpoint

Application Information (continued)

Because the voltage across the inductor DCR follows the current through the inductor, the device trips at the peak of the inductor current. Capacitor $C_{S\text{BY}}$ shown in [Figure 33](#) filters the input to the current sense comparator. A working range for this capacitance is 47 pF to 100 pF. The equation to set the resistor value of R_{SET} is:

$$R_{\text{SET}} = \frac{I_{\text{LIMIT}} R_{\text{DCR}}}{I_{\text{CS-}}} \quad (13)$$

I_{LIMIT} is the desired current limit level, R_{DCR} is the rated DC resistance of the inductor and $I_{\text{CS-}}$ is the 10 μA current source flowing out of the CS– pin. To aid in high frequency common-mode rejection, a series resistor, R_{CS} , of same resistance as R_{SET} , is optionally added to the CS+ signal path.

The internal current source $I_{\text{CS-}}$ is powered from the input voltage rail, V_{IN} . The minimum voltage required to drive that current source is 1 V from V_{IN} to V_{OUT} . If a low-dropout condition occurs where $V_{\text{IN}} - V_{\text{OUT}} < 1 \text{ V}$, the LM27402 may prematurely initiate hiccup mode. There are multiple options to avoid this situation. The first option is to enable the LM27402 after the input voltage has risen 1 V above the nominal output voltage as seen in [Figure 28](#). The second option is to lower the comparator common-mode voltage shown in [Figure 34](#) such that the $I_{\text{CS-}}$ current source has enough headroom voltage.

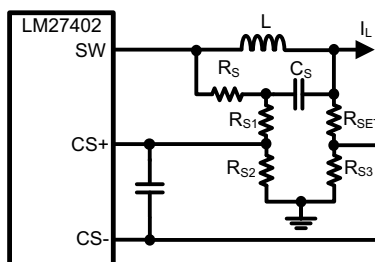


Figure 34. Common Mode Voltage Resistor Divider Network

Refer to *AN-2060 LM27402 Current Limit Application Circuits (SNVA441)* for design guidelines to adjust the common-mode voltage of the current sense comparator.

8.1.10 Control Loop Compensation

The LM27402 voltage mode control system incorporates input voltage feedforward to eliminate the input voltage dependence of the PWM modulator gain. Input voltage feedforward is essential for stability across the entire input voltage range and makes it easier for the designer to select the compensation and power train components. The following describes how to set the output voltage and obtain the open-loop transfer function.

During steady state operation, the DC output voltage is set by the feedback resistor network between V_{OUT} , FB and GND. The FB voltage is nominally 0.6 V $\pm 1\%$. The equation describing the output voltage is:

$$V_{\text{OUT}} = \frac{R_{\text{FB1}} + R_{\text{FB2}}}{R_{\text{FB2}}} 0.6\text{V} \quad (14)$$

A good starting value for R_{FB1} is 20 k Ω . If an output voltage of 0.6 V is required, R_{FB2} must not be used.

There are three main blocks of a voltage-mode buck switcher that the power supply designer needs to consider when designing the control system: power train, PWM modulator, and compensator. A diagram representing the control loop is shown in [Figure 35](#).

Application Information (continued)

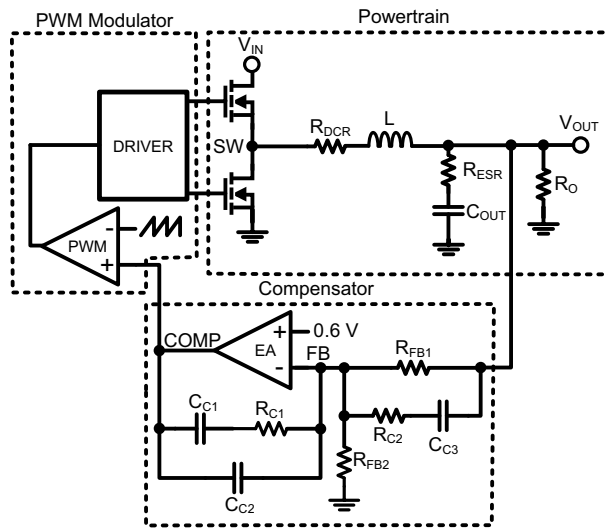


Figure 35. Control Loop Schematic Diagram

The power train consists of the filter inductor (L) with DCR (R_{DCR}), output capacitor (C_{OUT}) with ESR (effective series resistance R_{ESR}), and effective load resistance (R_O). The error amplifier (EA) regulates the feedback (FB) voltage to 0.6V. The passive compensation components around the error amplifier establish system stability. Type-III compensation is shown in Figure 35. The PWM modulator establishes the duty cycle command by comparing the error amplifier output (COMP) with an internally generated ramp set at the switching frequency.

The modulator gain, power train and compensator transfer functions must be taken into consideration when obtaining the total open-loop transfer function. The PWM modulator adds a DC gain component to the open-loop transfer function. In a basic voltage-mode system, the PWM gain varies with input voltage. However the LM27402 internal voltage feedforward circuitry maintains a constant PWM gain of 7:

$$G_{PWM} = \frac{1}{k_{FF}} = 7 \tag{15}$$

The power train transfer function includes the filter inductor and its DCR, output capacitor with ESR, and load resistance. The inductor and capacitor create two complex poles at a frequency described by:

$$f_{LC} = \frac{1}{2\pi} \sqrt{\frac{R_O + R_{DCR}}{LC_{OUT}(R_O + R_{ESR})}} \tag{16}$$

A left half plane zero is created by the output capacitor ESR located at a frequency described by:

$$f_{ESR} = \frac{1}{2\pi C_{OUT} R_{ESR}} \tag{17}$$

The complete power train transfer function is:

$$G_P(s) = \frac{1 + \frac{s}{2\pi f_{ESR}}}{1 + \frac{s}{Q_O 2\pi f_{LC}} + \left(\frac{s}{2\pi f_{LC}}\right)^2} \tag{18}$$

Figure 36 shows the bode plot of the above transfer function.

Application Information (continued)

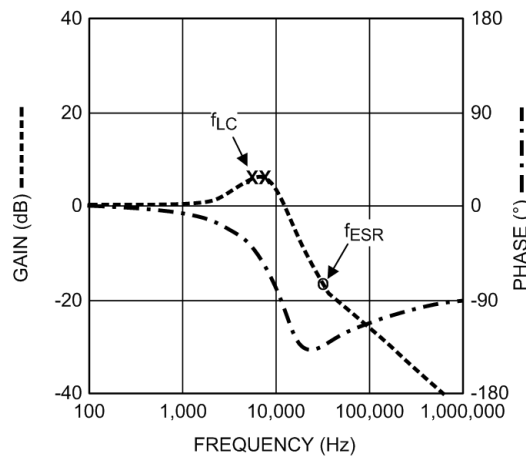


Figure 36. Powertrain Bode Plot

The complex poles (f_{LC}) created by the filter inductor and output capacitor cause a 180° phase shift as seen in Figure 36. The phase is boosted back up to -90° by virtue of the output capacitor ESR zero. The phase shift caused by the complex poles must be compensated to stabilize the loop response. The compensation network shown around the error amplifier in Figure 35 creates two poles, two zeros and a pole at the origin. Placing these poles and zeros at the correct frequencies optimizes the loop response. The compensator transfer function is:

$$G_{EA}(s) = K_m \frac{\left(\frac{2\pi f_{z1}}{s} + 1\right)\left(\frac{s}{2\pi f_{z2}} + 1\right)}{\left(\frac{s}{2\pi f_{p1}} + 1\right)\left(\frac{s}{2\pi f_{p2}} + 1\right)} \tag{19}$$

The pole located at the origin provides high DC gain to maximize DC load regulation performance. The other two poles and two zeros are strategically located to stabilize the voltage-mode loop depending on the power stage complex poles and damping characteristic, Q. Figure 37 illustrates a typical compensation transfer function.

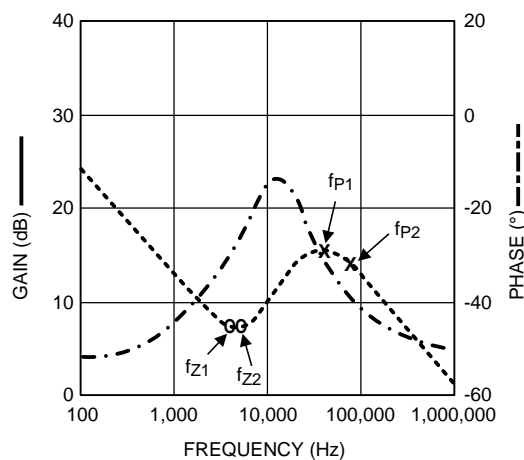


Figure 37. Type-III Compensation Network Bode Plot

K_m is the mid-band gain of the compensator and is estimated by:

$$K_m = \frac{f_c k_{FF}}{f_{LC}} \tag{20}$$

Application Information (continued)

f_c is the desired crossover frequency and is normally selected between one tenth and one fifth of the switching frequency, f_{SW} . The next set of equations show pole and zero locations expressed in terms of the components in the compensator feedback loop.

$$f_{Z1} = \frac{1}{2\pi R_{C1} C_{C1}} \quad f_{Z2} = \frac{1}{2\pi (R_{C2} + R_{FB1}) C_{C3}}$$

$$f_{P1} = \frac{1}{2\pi R_{C2} C_{C3}} \quad f_{P2} = \frac{C_{C1} + C_{C2}}{2\pi R_{C1} C_{C1} C_{C2}} \quad K_m = \frac{R_{C1}}{R_{FB1}} \tag{21}$$

Depending on Q, the complex double pole causes an increase in gain at the LC resonant frequency and a precipitous drop in phase. To compensate for the phase drop, it is common practice to place both compensator zeros created by the Type-III compensation network at or slightly below the LC double pole frequency. The other two poles are located beyond this point. One pole is located at the zero caused by the output capacitor ESR and the other pole is placed at half the switching frequency to roll off the higher frequency response.

$$f_{Z1} = f_{Z2} = f_{LC}$$

$$f_{P1} = f_{ESR}$$

$$f_{P2} = \frac{f_{SW}}{2} \tag{22}$$

Conservative values for the compensation components are found by using the following equations.

$$R_{C1} = R_{FB1} K_m$$

$$C_{C1} = \frac{1}{2\pi f_{LC} R_{C1}}$$

$$R_{C2} = \frac{R_{FB1} f_{LC}}{f_{ESR} - f_{LC}}$$

$$C_{C3} = \frac{1}{2\pi f_{ESR} R_{C2}}$$

$$C_{C2} = \frac{C_{C1}}{\pi f_{SW} R_{C1} C_{C1} - 1} \tag{23}$$

Once the compensation components are fixed, create a Bode plot of the loop response using all three transfer functions. [Figure 38](#) provides an illustration of the loop response.

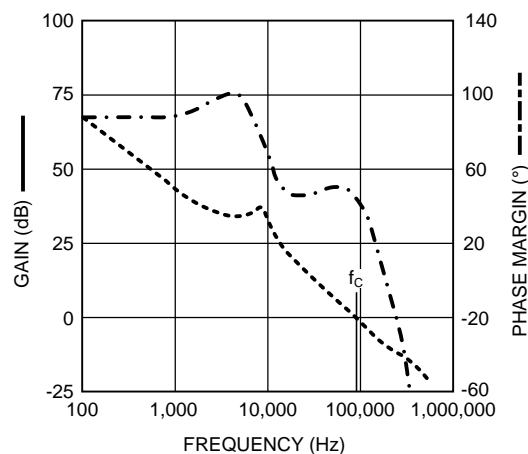


Figure 38. Loop Response

Application Information (continued)

It is important to always verify the stability by either observing the load transient response or by using a network analyzer. A phase margin between 45° and 70° is usually desired for voltage-mode controlled systems. Excessive phase margin causes slow system response to load transients whereas low phase margin is indicated by an oscillatory load transient response. If the peak voltage deviation is larger than desired, increase f_c and recalculate the compensation components. If this amounts to a reduction in phase margin, the remaining option is to increase output capacitance.

8.1.11 MOSFET Gate Drivers

To drive large power MOSFETs with high gate charge, the LM27402 includes low impedance high-side and low-side gate drivers that source and sink high current for fast transition times and increased efficiency. The high-side gate driver is powered from a bootstrap circuit, whereas the low-side driver is powered by the VDD rail as shown in [Figure 39](#).

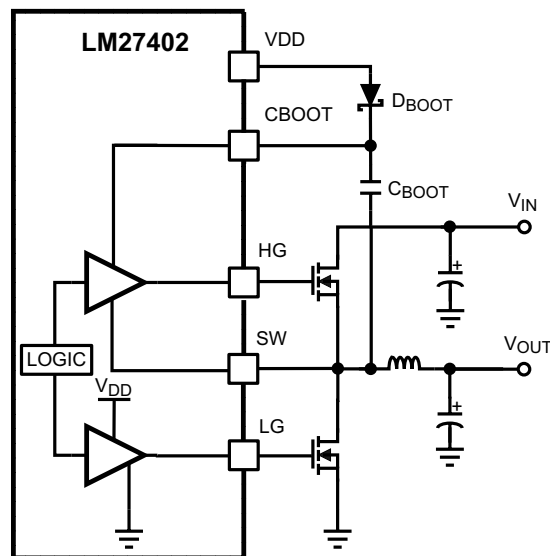


Figure 39. High-Side and Low-Side MOSFET Gate Drivers

The circuit in [Figure 39](#) effectively supplies close to the VDD voltage (4.5 V) between the gate and the source of the high-side MOSFET during the on time. Use a Schottky diode for D_{BOOT} with sufficient reverse voltage rating and continuous current rating. The average current through the boot diode depends on the gate charge of the high-side MOSFET and the switching frequency. It is calculated using [Equation 24](#).

$$I_{D_{BOOT}} = f_{SW} Q_{GHS} \quad (24)$$

$I_{D_{BOOT}}$ is the average current through the D_{BOOT} diode, f_{SW} is the switching frequency and Q_{GHS} is the gate charge of the high-side MOSFET. If the input voltage is below 5.5 V, it is recommended to connect VDD to the input supply of the LM27402 through a 1- Ω resistor as shown in [Figure 40](#). This increases the gate voltage amplitude of both the low-side and high-side MOSFETs, thus reducing $R_{DS(on)}$.

Application Information (continued)

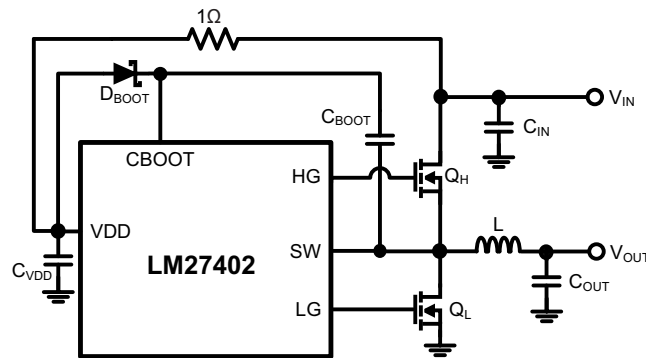


Figure 40. Tie V_{DD} to V_{IN} when $V_{IN} \leq 5.5V$

8.1.12 Power Loss and Efficiency Calculations

The overall efficiency of a buck regulator is simply the ratio of output power to input power. Although power losses are found in almost every component of a buck regulator, the following sections present equations detailing components with the highest relative power loss.

8.1.12.1 Power MOSFETs

Selecting the correct power MOSFET for a design is important to the overall operation of the circuit. If inappropriate MOSFETs are selected for the application, it may result in poor efficiency, high temperature issues, shoot-through and other impairments. It is important to calculate the power dissipation for each MOSFET at the maximum output current and ensure that the maximum allowable power dissipation is not exceeded. MOSFET data sheets must also specify a junction-to-ambient thermal resistance (θ_{JA}), and the temperature rise is estimated from this specification.

Both high-side and low-side MOSFETs contribute significant loss to the system relative to the other components. The high-side MOSFET contributes transition switching loss, conduction loss and gate charge loss. The low-side MOSFET also contributes conduction and gate charge loss, and the body diode of the MOSFET causes deadtime conduction loss and reverse recovery loss that must also be considered. The transition losses for the low-side MOSFET are insignificant and usually ignored.

8.1.12.2 High-Side Power MOSFET

The next set of equations are used to calculate the losses associated with the high-side MOSFET.

$$P_{CND_HS} \approx I_{OUT}^2 \times R_{DS(ON)_HS} \times D \times 1.3$$

$$P_{SW_HS} = \frac{V_{IN} \times I_{OUT} \times f_{SW} \times (tr+tf)}{2}$$

$$P_{TOT_HS} = P_{CND_HS} + P_{SW_HS}$$

(25)

P_{CND_HS} is the conduction loss of the high-side MOSFET during the D interval. this equation includes a self heating coefficient of 1.3 to approximate the effects of the $R_{DS(on)}$ temperature coefficient. $R_{DS(ON)_HS}$ is the drain to source resistance, I_{OUT} is the output current and D is the duty ratio. P_{SW_HS} is the switching power loss during the high-side MOSFET transition time. V_{IN} is the input voltage, f_{SW} is the switching frequency, and t_r and t_f are the rise and fall times of the switch-node voltage, respectively. P_{TOT_HS} is the total power dissipation of the high-side MOSFET.

The gate charge of the high-side MOSFET greatly affects the turn-on transition time, and therefore efficiency. Furthermore, consider the ratio of switching loss to conduction loss associated with the high-side MOSFET. If the duty ratio is small and the input voltage is high, it is beneficial to tradeoff Q_G for higher $R_{DS(on)}$ to avoid high switching losses relative to conduction losses. If the duty ratio is large and the input voltage is low, then a lower $R_{DS(on)}$ MOSFET in tandem with a higher Q_G may result in less power dissipation.

Application Information (continued)

8.1.12.3 Low-Side Power MOSFET

The next set of equations are used to calculate the losses due to the low-side MOSFET.

$$\begin{aligned}
 P_{\text{CND_LS}} &\approx I_{\text{OUT}}^2 \times R_{\text{DS(ON)_LS}} \times (1-D) \times 1.3 \\
 P_{\text{D}} &= T_{\text{deadtime}} \times f_{\text{SW}} \times I_{\text{OUT}} \times V_{\text{FD}} \\
 P_{\text{RR}} &= Q_{\text{RR}} \times f_{\text{SW}} \times V_{\text{IN}} \\
 P_{\text{TOT_LS}} &= P_{\text{CND_LS}} + P_{\text{D}} + P_{\text{RR}}
 \end{aligned}
 \tag{26}$$

$P_{\text{CND_LS}}$ is the conduction loss of the low-side MOSFET during the 1-D cycle and $R_{\text{DS(ON)_LS}}$ is its on-state resistance. P_{D} is the deadtime power loss due to the body diode drop of the low-side MOSFET. T_{deadtime} is the total deadtime. P_{RR} is the reverse recovery charge power loss. Q_{RR} is the total reverse recovery charge typically specified in the MOSFET datasheet. $P_{\text{TOT_LS}}$ is the total power dissipation of the low-side MOSFET.

8.1.12.4 Gate-Charge Loss

A finite amount of gate charge is required in order to switch the high-side and low-side power MOSFETs. This gate charge is continually charging the MOSFET gates during every switching cycle and appears as a constant current flowing to the controller from the input supply. The next equation describes the power loss due to the gate charge.

$$P_{\text{QG}} = V_{\text{IN}} \times (Q_{\text{GHS}} + Q_{\text{GLS}}) \times f_{\text{SW}} \tag{27}$$

P_{QG} is the total gate charge power loss, Q_{GHS} and Q_{GLS} are the respective high-side and low-side MOSFET gate charges found in the MOSFET datasheets, V_{IN} is the input voltage, and f_{SW} is the switching frequency.

8.1.12.5 Input and Output Capacitor ESR Losses

Both the input and output capacitors are subject to steady state AC current and must be taken into consideration when calculating power losses. The next equation shown is the input capacitor ESR power loss.

$$P_{\text{IN_CAP}} = I_{\text{CIN_RMS}}^2 \times R_{\text{ESR_CIN}} \tag{28}$$

The input capacitor power loss equation includes the effective series resistance or $R_{\text{ESR_IN}}$ of the input capacitor. The power loss due to the ESR of the output capacitor is:

$$P_{\text{OUT_CAP}} = \frac{\Delta I_{\text{L}}^2}{12} \times R_{\text{ESR}} \tag{29}$$

The output capacitor power loss equation includes the peak-to-peak inductor current, ΔI_{L} , and the effective series resistance or R_{ESR} of the output capacitor.

8.1.12.6 Inductor Losses

The losses due to the inductor are caused primarily by its DCR. The next equation calculates the inductor DCR power loss.

$$P_{\text{DCR}} = I_{\text{RMS}}^2 \times R_{\text{DCR}} \times 1.2 \tag{30}$$

P_{DCR} is the total power loss of the Inductor. A self-heating coefficient of 1.2 is included in this equation to approximate the effects of the copper temperature coefficient approximately equal to 3900ppm/°C. R_{DCR} is the inductor DC resistance.

Application Information (continued)

8.1.12.7 Controller Losses

The controller loss remains constant and typically contributes a very small loss of power. The quiescent current is the main factor in terms of power loss attributed to the controller and it remains constant at 4 mA. The quiescent current power loss equation is:

$$P_{IQ} = V_{IN} \times I_Q \quad (31)$$

The controller I_Q power loss equation includes the I_Q current (4 mA) and the input voltage V_{IN} .

It is also important to calculate the power dissipated in the controller itself due to the gate charge component of current flowing from V_{IN} to V_{DD} . This can cause the controller to operate at an elevated temperature given the power dissipation of the LDO pass device. The next equation calculates the power dissipated by the internal LDO.

$$P_{LDO} = (V_{VIN} - 4.5) \times (Q_{GLS} + Q_{GHS}) \times f_{SW} \quad (32)$$

P_{LDO} is the power dissipated in the LDO, Q_{GHS} and Q_{GLS} are the high-side and low-side MOSFET gate charges, respectively.

8.1.12.8 Overall Efficiency

After calculating the losses, the efficiency is thus calculated using:

$$\eta \text{ (%) } = \frac{P_{OUT}}{P_{OUT} + P_{LOSS}} \times 100$$

$$P_{LOSS} = P_{TOT_HS} + P_{TOT_LS} + P_{QG} + P_{DCR} + P_{IN_CAP} + P_{OUT_CAP} + P_{IQ}$$

$$P_{OUT} = V_{OUT} \times I_{OUT} \quad (33)$$

8.2 Typical Applications

8.2.1 Example Circuit 1

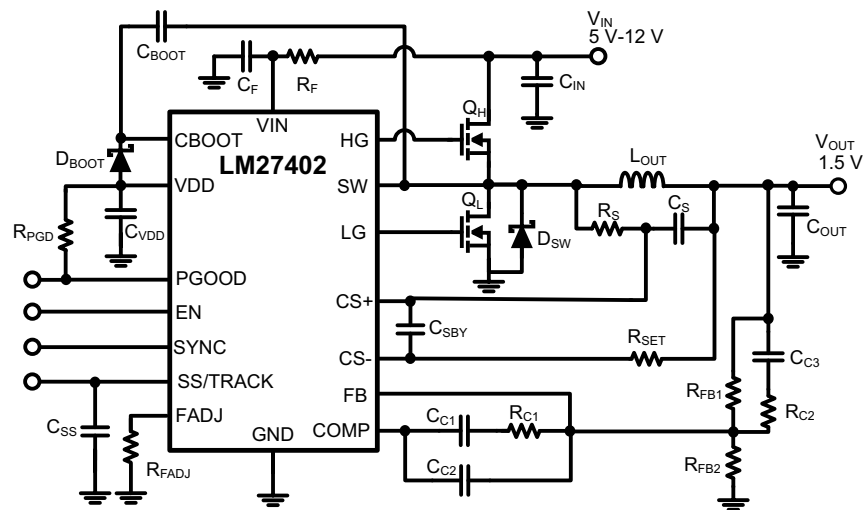


Figure 41. 4.5-V to 20-V Input, 1.5-V Output at 20 A, 300-kHz Switching Frequency

8.2.1.1 Design Requirements

The schematic diagram of a 20-A buck regulator is given in [Figure 41](#) and its BOM is listed in [Table 1](#). In this example, the target full-load efficiency is 88% at 12-V input voltage. Output voltage is adjusted simply by changing R_{FB2} . The free-running switching frequency is set to 300 kHz by resistor R_{FADJ} . The output voltage soft-start time is 10 ms.

8.2.1.2 Detailed Design Procedure

The design procedure for an LM27402-based converter for a given application is streamlined by using the [LM27402 Quick-Start Design Tool](#) available as a free download, or by availing of TI's WEBENCH® Designer online software. Such tools are complemented by the availability of the LM27402 evaluation module (EVM) design as well as numerous LM27402 reference designs populated in [TI Designs™](#) reference design library.

8.2.1.2.1 Custom Design With WEBENCH® Tools

[Click here](#) to create a custom design using the LM27402 device with the WEBENCH® Power Designer.

1. Start by entering the input voltage (V_{IN}), output voltage (V_{OUT}), and output current (I_{OUT}) requirements.
2. Optimize the design for key parameters such as efficiency, footprint, and cost using the optimizer dial.
3. Compare the generated design with other possible solutions from Texas Instruments.

The WEBENCH Power Designer provides a customized schematic along with a list of materials with real-time pricing and component availability.

In most cases, these actions are available:

- Run electrical simulations to see important waveforms and circuit performance
- Run thermal simulations to understand board thermal performance
- Export customized schematic and layout into popular CAD formats
- Print PDF reports for the design, and share the design with colleagues

Get more information about WEBENCH tools at www.ti.com/WEBENCH.

Typical Applications (continued)

The current limit setpoint in this design is set at 25 A at 25°C, based on resistor R_{SET} and the inductor DCR of 2.34 mΩ. Of course, the current limit setpoint must always be selected such that the operating current level does not exceed the saturation current specification of the chosen inductor. The component values for the DCR sense network (R_S and C_S in Figure 41) are chosen based on setting the $R_S C_S$ product approximately equal to L/R_{DCR} , as recommended in the [Setting the Current Limit Threshold](#) section. The MOSFETs are chosen for both lowest conduction and switching power loss, as discussed in detail in the [Power MOSFETs](#) section.

Table 1. Bill of Materials

DESIGNATOR	TYPE	PARAMETERS	PART NUMBER	QTY	MANUFACTURER
U1	IC	Synchronous Buck Voltage-Mode PWM Controller	LM27402	1	TI
C _{BOOT}	Capacitor	0.22 μF, Ceramic, X7R, 25 V, 10%	GRM188R71E224KA88D	1	Murata
C _{C1}	Capacitor	3.9 nF, Ceramic, X7R, 50 V, 10%	GRM188R71H392KA01D	1	Murata
C _{C2}	Capacitor	150 pF, Ceramic, C0G, 50 V, 5%	GRM1885C1H151JA01D	1	Murata
C _{C3}	Capacitor	820 pF, Ceramic, C0G, 50 V, 5%	GRM1885C1H821JA01D	1	Murata
C _{VDD}	Capacitor	1 μF, Ceramic, X5R, 25 V, 10%	GRM188R61E105KA12D	1	Murata
C _F	Capacitor	1 μF, Ceramic, X5R, 25 V, 10%	GRM188R61E105KA12D	1	Murata
C _{IN}	Capacitor	22 μF, Ceramic, X5R, 25 V, 10%	GRM32ER61E226KE15L	5	Murata
C _{OUT}	Capacitor	100 μF, Ceramic, X5R, 6.3 V, 20%	C1210C107M9PACTU	4	Kemet
C _S	Capacitor	0.22 μF, Ceramic, X7R, 25 V, 10%	GRM188R71E224KA88D	1	Murata
C _{SS}	Capacitor	47 nF, Ceramic, X7R, 16 V, 10%	GRM188R71C473KA01D	1	Murata
C _{SBY}	Capacitor	100 pF, Ceramic, C0G, 50 V, 5%	GRM1885C1H101JA01D	1	Murata
D _{BOOT}	Diode	Schottky Diode, Average I = 100 mA, Max Surge I = 750 mA	CMOSH-3	1	Central Semi
D _{SW}	Diode	Schottky Diode, Average I = 3A, Max Surge I = 80A	CMSH3-40M	1	Central Semi
L _{OUT}	Inductor	0.68 μH, 2.34 mΩ	IHLP5050CEERR68M06	1	Vishay
Q _L	N-CH MOSFET	30 V, 60 A, 43.5 nC, R _{DS(on)} at 4.5 V = 1.85 mΩ	Si7192DP	1	Vishay
Q _H	N-CH MOSFET	25 V, 40 A, 13 nC, R _{DS(on)} at 4.5 V = 6.2 mΩ	SiR436DP	1	Vishay
R _{C1}	Resistor	8.06 kΩ, 1%, 0.1 W	CRCW06038k06FKEA	1	Vishay
R _{C2}	Resistor	261 Ω, 1%, 0.1 W	CRCW0603261RFKEA	1	Vishay
R _{FADJ}	Resistor	45.3 kΩ, 1%, 0.1 W	CRCW060345k3FKEA	1	Vishay
R _{FB1}	Resistor	20.0 kΩ, 1%, 0.1 W	CRCW060320k0FKEA	1	Vishay
R _{FB2}	Resistor	13.3 kΩ, 1%, 0.1 W	CRCW060320k0FKEA	1	Vishay
R _F	Resistor	2.2 Ω, 5%, 0.1 W	CRCW06032R20JNEA	1	Vishay
R _{PGD}	Resistor	51.1 kΩ, 5%, 0.1 W	CRCW060351k1JNEA	1	Vishay
R _S	Resistor	1.3 kΩ, 1%, 0.1 W	CRCW06031k30FKEA	1	Vishay
R _{SET}	Resistor	6.34 kΩ, 1%, 0.1 W	CRCW06036k34FKEA	1	Vishay

8.2.1.3 Application Curves

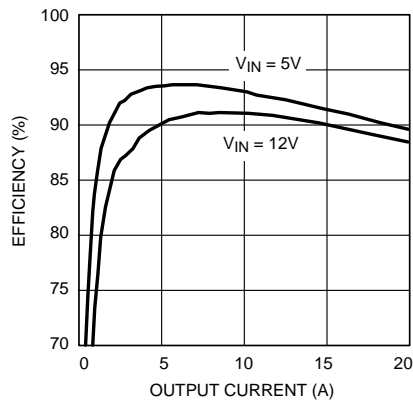


Figure 42. Converter Efficiency vs Output Current

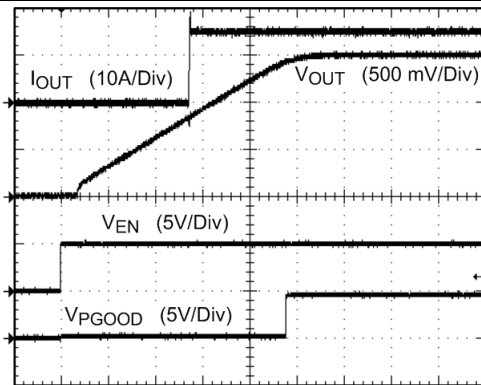


Figure 43. Start-up Characteristic with EN Stepped High, 15-A Electronic Load (2 ms/div)

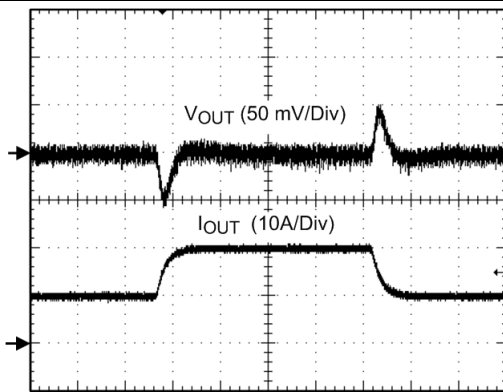


Figure 44. 10-A to 20-A Load Transient (100 μs/div)

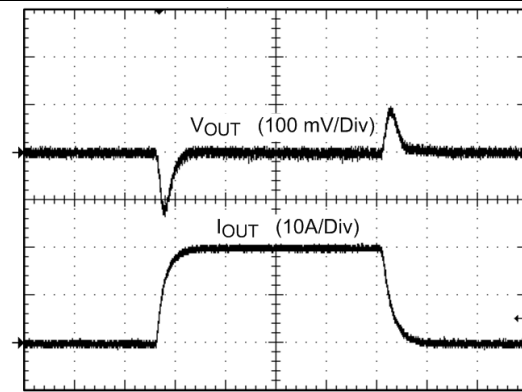
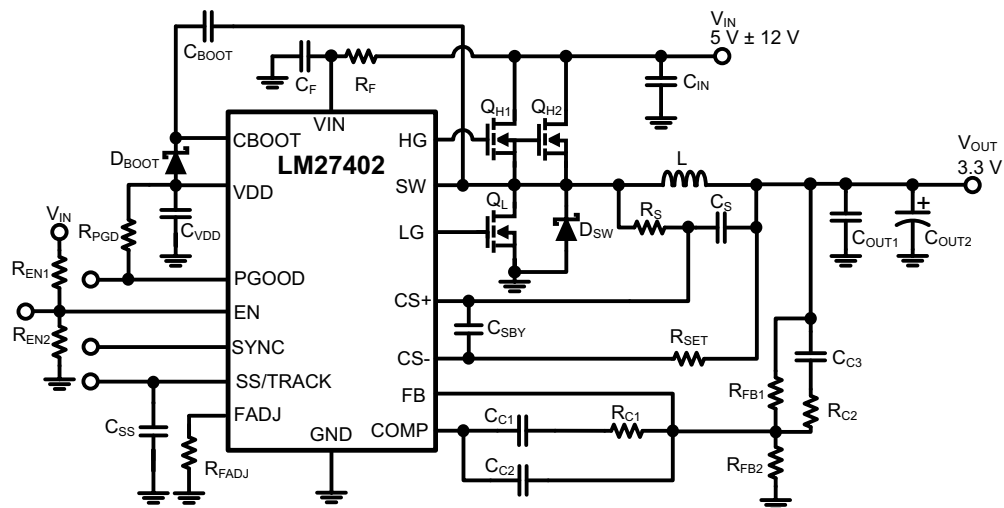
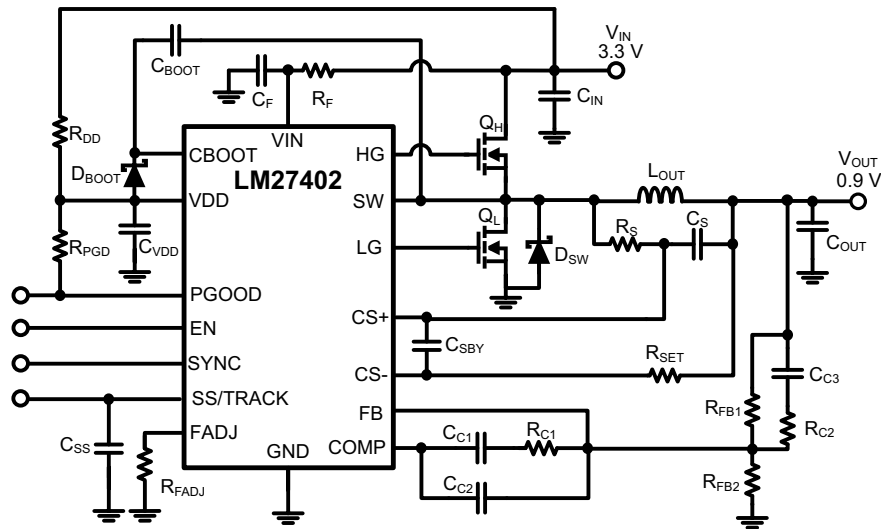


Figure 45. 0-A to 20-A Load Transient (100 μs/div)

8.2.2 Example Circuit 2

Figure 46. 5-V to 12-V Input Voltage Range, 3.3-V Output, 25-A Output Current, 300-kHz Switching Frequency
Table 2. Bill Of Materials

DESIGNATOR	TYPE	PARAMETERS	PART NUMBER	QTY	MANUFACTURER
U1	IC	Synchronous Buck Voltage-Mode PWM Controller	LM27402	1	TI
C _{BOOT}	Capacitor	0.22 μF, Ceramic, X7R, 25 V, 10%	GRM188R71E224KA88D	1	Murata
C _{C1}	Capacitor	1200 pF, Ceramic, COG, 50 V, 5%	GRM1885C1H122JA01D	1	Murata
C _{C2}	Capacitor	56 pF, Ceramic, COG, 50 V, 5%	GRM1885C1H560JA01D	1	Murata
C _{C3}	Capacitor	820 pF, Ceramic, COG, 50 V, 5%	GRM1885C1H821JA01D	1	Murata
C _{VDD}	Capacitor	1 μF, Ceramic, X5R, 25 V, 10%	GRM188R61E105KA12D	1	Murata
C _F	Capacitor	1 μF, Ceramic, X5R, 25 V, 10%	GRM188R61E105KA12D	1	Murata
C _{IN}	Capacitor	22 μF, Ceramic, X5R, 25 V, 10%	GRM32ER61E226KE15L	5	Murata
C _{OUT1}	Capacitor	100 μF, Ceramic, X5R, 6.3 V, 20%	C1210C107M9PACTU	1	Kemet
C _{OUT2}	Capacitor	330 μF, POSCAP, 6.3 V, 20%	6TPE1330MIL	1	Sanyo
C _S	Capacitor	0.22 μF, Ceramic, X7R, 25 V, 10%	GRM188R71E224KA88D	1	Murata
C _{SS}	Capacitor	47000 pF, Ceramic, X7R, 16 V, 10%	GRM188R71E473KA01D	1	Murata
C _{SBY}	Capacitor	100 pF, Ceramic, C0G, 50 V, 5%	GRM1885C1H101JA01D	1	Murata
D _{BOOT}	Diode	Schottky Diode, Average I = 100 mA, Max Surge I = 750 mA	CMOSH-3	1	Central Semi
D _{SW}	Diode	Schottky Diode, Average I = 3 A, Max Surge I = 80A	CMSH3-40M	1	Central Semi
L _{OUT}	Inductor	1 μH, 0.9 mΩ	SER2010-102ML	1	Coilcraft
Q _L	N-CH MOSFET	30 V, 60 A, 43.5 nC, R _{DS(on)} at 4.5V = 1.85 mΩ	Si7192DP	1	Vishay
Q _{H(1,2)}	N-CH MOSFET	25 V, 50 A, 20 nC, R _{DS(on)} at 4.5V = 3.4 mΩ	SiR892DP	1	Vishay
R _{C1}	Resistor	18.7 kΩ, 1%, 0.1 W	CRCW060318K7FKEA	1	Vishay
R _{C2}	Resistor	4.75 kΩ, 1%, 0.1 W	CRCW06034K75FKEA	1	Vishay
R _{FADJ}	Resistor	45.3 kΩ, 1%, 0.1 W	CRCW060345K3FKEA	1	Vishay
R _{FB1}	Resistor	20.0 kΩ, 1%, 0.1 W	CRCW060320K0FKEA	1	Vishay
R _{FB2}	Resistor	4.42 kΩ, 1%, 0.1 W	CRCW06034K42FKEA	1	Vishay
R _F	Resistor	2.2Ω, 5%, 0.1 W	CRCW06032R20JNEA	1	Vishay
R _{PGD}	Resistor	51.1 kΩ, 5%, 0.1 W	CRCW060351K1JNEA	1	Vishay
R _S	Resistor	4.12 kΩ, 1%, 0.1 W	CRCW06034K12FKEA	1	Vishay
R _{SET}	Resistor	4.53 kΩ, 1%, 0.1 W	CRCW06034K53FKEA	1	Vishay

8.2.3 Example Circuit 3

Figure 47. 3.3-V Input voltage, 0.9-V Output Voltage, 20-A Output Current, 500-kHz Switching Frequency
Table 3. Bill Of Materials

DESIGNATOR	TYPE	PARAMETERS	PART NUMBER	QTY	MANUFACTURER
U1	IC	Synchronous Buck Voltage-Mode PWM Controller	LM27402	1	TI
C _{BOOT}	Capacitor	0.22 μ F, Ceramic, X7R, 25 V, 10%	GRM188R71E224KA88D	1	Murata
C _{C1}	Capacitor	820 pF, Ceramic, COG, 50 V, 5%	GRM1885C1H821JA01D	1	Murata
C _{C2}	Capacitor	68 pF, Ceramic, COG, 50 V, 5%	GRM1885C1H680JA01D	1	Murata
C _{C3}	Capacitor	390 pF, Ceramic, COG, 50 V, 5%	GRM1885C1H391JA01D	1	Murata
C _{VDD}	Capacitor	1 μ F, Ceramic, X5R, 25 V, 10%	GRM188R61E105KA12D	1	Murata
C _F	Capacitor	1 μ F, Ceramic, X5R, 25 V, 10%	GRM188R61E105KA12D	1	Murata
C _{IN}	Capacitor	22 μ F, Ceramic, X5R, 25 V, 10%	C2012X5R0J226M	5	TDK
C _{OUT}	Capacitor	100 μ F, Ceramic, X5R, 6.3 V, 20%	JMK316BJ107ML	3	Taiyo Yuden
C _S	Capacitor	0.22 μ F, Ceramic, X7R, 25 V, 10%	GRM188R71E224KA88D	1	Murata
C _{SS}	Capacitor	22000 pF, Ceramic, X7R, 16 V, 10%	GRM188R71E223KA01D	1	Murata
C _{SBY}	Capacitor	68 pF, Ceramic, COG, 50 V, 5%	GRM1885C1H680JA01D	1	Murata
D _{BOOT}	Diode	Schottky Diode, Average I = 100 mA, Max Surge I = 750 mA	CMOSH-3	1	Central Semi
D _{SW}	Diode	Schottky Diode, Average I = 3A, Max Surge I = 80 A	CMSH3-40M	1	Central Semi
L _{OUT}	Inductor	0.33 μ H, 1.4 m Ω	RL-8250-1.4-R33M	1	Renco
Q _L	N-Ch MOSFET	20 V, 100 A, 64 nC, R _{DS(on)} at 4.5 V = 1.6 m Ω	BSC019N02KS	1	Infineon
Q _H	N-Ch MOSFET	20 V, 100 A, 40 nC, R _{DS(on)} at 4.5 V = 2.1 m Ω	BSC026N02KS	1	Infineon
R _{C1}	Resistor	10.0 k Ω , 1%, 0.1 W	CRCW060310K0FKEA	1	Vishay
R _{C2}	Resistor	150 Ω , 1%, 0.1 W	CRCW0603150R0FKEA	1	Vishay
R _{DD}	Resistor	1 Ω , 5%, 0.1 W	CRCW06031R00JNEA	1	Vishay
R _{FADJ}	Resistor	20.0 k Ω , 1%, 0.1 W	CRCW060320K0FKEA	1	Vishay
R _{FB1}	Resistor	20.0 k Ω , 1%, 0.1 W	CRCW060320K0FKEA	1	Vishay
R _{FB2}	Resistor	40.2 k Ω , 1%, 0.1 W	CRCW060340K2FKEA	1	Vishay
R _F	Resistor	2.2 Ω , 5%, 0.1 W	CRCW06032R20JNEA	1	Vishay
R _{PGD}	Resistor	51.1 k Ω , 5%, 0.1 W	CRCW060351K1JNEA	1	Vishay
R _S	Resistor	1.07 k Ω , 1%, 0.1 W	CRCW06031K07FKEA	1	Vishay
R _{SET}	Resistor	5.11 k Ω , 1%, 0.1 W	CRCW06035K11FKEA	1	Vishay

9 Power Supply Recommendations

The LM27402 PWM controller is designed to operate from an input voltage supply range between 3 V and 20 V. If the input supply is located more than a few inches from the LM27402-based converter, additional bulk capacitance may be required in addition to ceramic bypass capacitance. Given the negative incremental input impedance of a buck converter, a bulk electrolytic component provides damping to reduce effects of input line parasitic inductance resonating with high-Q ceramic capacitors.

10 Layout

10.1 Layout Guidelines

Careful PCB design and layout are important in a high current, fast switching circuit (with high current and voltage slew rates) to assure appropriate device operation and design robustness. As expected, certain issues must be considered before designing a PCB layout using the LM27402. The main switching loop of the power stage is denoted by 1 in Figure 48. The buck converter topology means that particularly high di/dt current will flow in loop 1, and it becomes mandatory to reduce the parasitic inductance of this loop by minimizing its effective loop area. For loop 2 however, the di/dt through inductor L_F and capacitor C_{OUT} is naturally limited by the inductor. Keeping the area of loop 2 small is not nearly as important as that of loop 1. Also important are the gate drive loops of the low-side and high-side MOSFETs, denoted by 3 and 4, respectively, in Figure 48.

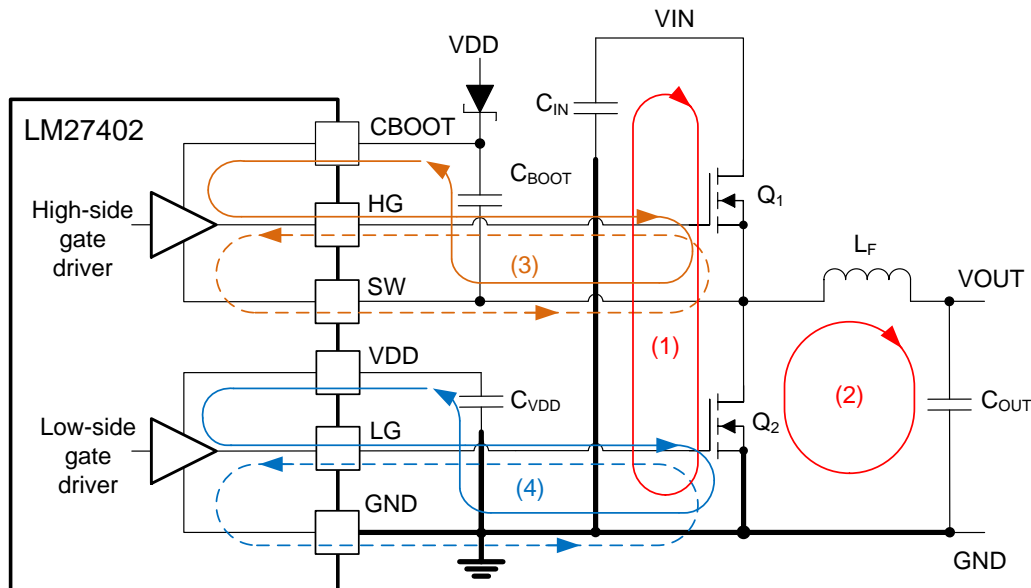


Figure 48. DC/Dc Converter Ground System With Power Stage and Gate Drive Circuit Switching Loops

10.1.1 Power Stage Layout

1. Input capacitor(s), output capacitor(s) and MOSFETs are the constituent components in the power stage of a buck regulator and are typically placed on the top side of the PCB (solder side). Leveraging any system-level airflow, the benefits of convective heat transfer are thus maximized. In a two-sided PCB layout, small-signal components are typically placed on the bottom side (component side). At least one inner plane must be inserted, connected to ground, in order to shield and isolate the small-signal traces from noisy power traces and lines.
2. The DC/Dc converter has several high-current loops. Minimize the area of these loops in order to suppress generated switching noise and parasitic loop inductance and optimize switching performance.
 - Loop 1: The most important loop to minimize the area of is the path from the input capacitor(s) through the high- and low-side MOSFETs, and back to the capacitor(s) through the ground connection. Connect the input capacitor(s) negative terminal close to the source of the low-side MOSFET (at ground). Similarly, connect the input capacitor(s) positive terminal close to the drain of the high-side MOSFET (at VIN). Refer to loop 1 of Figure 48.

Layout Guidelines (continued)

- Loop 2. The second important loop is the path from the low-side MOSFET through inductor and output capacitor(s), and back to source of the low-side MOSFET through ground. Connect source of the low-side MOSFET and negative terminal of the output capacitor(s) at ground as close as possible. Refer to loop 2 of [Figure 48](#).
- 3. The PCB trace defined as SW node, which connects to the source of the high-side (control) MOSFET, the drain of the low-side (synchronous) MOSFET and the high-voltage side of the inductor, must be short and wide. However, the SW connection is a source of injected EMI and thus must not be too large.
- 4. Follow any layout considerations of the MOSFETs as recommended by the MOSFET manufacturer, including pad geometry and solder paste stencil design.
- 5. The SW pin connects to the switch node of the power conversion stage, and it acts as the return path for the high-side gate driver. The parasitic inductance inherent to loop 1 in [Figure 48](#) and the output capacitance (C_{OSS}) of both power MOSFETs form a resonant circuit that induces high frequency (>100 MHz) ringing on the SW node. The voltage peak of this ringing, if not controlled, can be significantly higher than the input voltage. Ensure that the peak ringing amplitude does not exceed the absolute maximum rating limit for the SW pin. In many cases, a series resistor and capacitor snubber network connected from the SW node to GND damps the ringing and decreases the peak amplitude. Provide provisions for snubber network components in the printed circuit board layout. If testing reveals that the ringing amplitude at the SW pin is excessive, then include snubber components.

10.1.2 Gate Drive Layout

The LM27402 high- and low-side gate drivers incorporate short propagation delays, adaptive deadtime control and low-impedance output stages capable of delivering large peak currents with very fast rise and fall times to facilitate rapid turn-on and turn-off transitions of the power MOSFETs. Very high di/dt can cause unacceptable ringing if the trace lengths and impedances are not well controlled.

Minimization of stray/parasitic loop inductance is key to optimizing gate drive switching performance, whether it be series gate inductance that resonates with MOSFET gate capacitance or common source inductance (common to gate and power loops) that provides a negative feedback component opposing the gate drive command, thereby increasing MOSFET switching times. The following loops are important:

- Loop 3: high-side MOSFET, Q_1 . During the high-side MOSFET turn on, high current flows from the boot capacitor through the gate driver and high-side MOSFET, and back to negative terminal of the boot capacitor through the SW connection. Conversely, to turn off the high-side MOSFET, high current flows from gate of the high-side MOSFET through the gate driver and SW, and back to source of the high-side MOSFET through the SW trace. Refer to loop 3 of [Figure 48](#).
- Loop 4: low-side MOSFET, Q_2 . During the low-side MOSFET turn on, high current flows from VDD decoupling capacitor through the gate driver and low-side MOSFET, and back to negative terminal of the capacitor through ground. Conversely, to turn off the low-side MOSFET, high current flows from gate of the low-side MOSFET through the gate driver and GND, and back to source of the low-side MOSFET through ground. Refer to loop 4 of [Figure 48](#).

The following circuit layout guidelines are strongly recommended when designing with high-speed MOSFET gate drive circuits.

1. Connections from gate driver outputs, HG and LG, to the respective gate of the high-side or low-side MOSFET should be as short as possible to reduce series parasitic inductance. Use 0.65 mm (25 mils) or wider traces. Use via(s), if necessary, of at least 0.5 mm (20 mils) diameter along these traces. Route HG and SW gate traces as a differential pair from the LM27403 to the high-side MOSFET, taking advantage of flux cancellation.
2. Minimize the current loop path from the VDD and CBOOT pins through their respective capacitors as these provide the high instantaneous current to charge the MOSFET gate capacitances. Specifically, locate the bootstrap capacitor, C_{BOOT} , close to the LM27402's CBOOT and SW pins to minimize the area of loop 3 associated with the high-side driver. Similarly, locate the VDD capacitor, C_{VDD} , close to the LM27402's VDD and GND pins to minimize the area of loop 4 associated with the low-side driver.
3. Placing a 2- Ω to 10- Ω BOOT resistor in series with the BOOT capacitor slows down the high-side MOSFET turn-on transition, serving to reduce the voltage ringing and peak amplitude at the SW node at the expense of increased MOSFET turn-on power loss.

Layout Guidelines (continued)

10.1.3 Controller Layout

Components related to the analog and feedback signals, current limit setting and temperature sense are considered in the following:

1. In general, separate power and signal traces, and use a ground plane to provide noise shielding.
2. Place all sensitive analog traces and components such as COMP, FB, FADJ, and SS/TRACK away from high-voltage switching nodes such as SW, HG, LG or CBOOT. Use internal layer(s) as ground plane(s). Pay particular attention to shielding the feedback (FB) trace from power traces and components.
3. The upper feedback resistor can be connected directly to the output voltage sense point at the load device or the bulk capacitor at the converter side. This connections can be used for the purpose of remote sensing at the downstream load; however, care must be taken to route the trace to prevent noise coupling from noisy nets.
4. Connect the OCP setpoint resistor from CS– pin to VOUT and make the connections as close as possible to the LM27402. The trace from the CS– pin to the resistor must avoid coupling to a high-voltage switching node. Similar precautions apply if a resistor is tied to the CS+ pin.
5. Minimize the current loop from the VDD and VIN pins through their respective decoupling capacitors to the GND pin. In other words, locate these capacitors as close as possible to the LM27402.

10.1.4 Thermal Design and Layout

The useful operating temperature range of a PWM controller with integrated gate drivers and bias supply LDO regulator is greatly affected by:

- Average gate drive current requirements of the power MOSFETs
- Switching frequency
- Operating input voltage (affecting LDO voltage drop and hence its power dissipation)
- Thermal characteristics of the package and operating environment

In order for a PWM controller to be useful over a particular temperature range, the package must allow for the efficient removal of the heat produced while keeping the junction temperature within rated limits. The LM27402 controller is available in small 4-mm × 4-mm WQFN-24 (RUM) and 4.4-mm × 5-mm HTSSOP-16 (PWP) PowerPAD™ packages to cover a range of application requirements. The thermal metrics of these packages are summarized in the [Thermal Information](#) section of this datasheet. For detailed information regarding the thermal information table, please refer to *IC Package Thermal Metrics*, [SPRA953](#), application report.

Both package offers a means of removing heat from the semiconductor die through the exposed thermal pad at the base of the package. While the exposed pad of the LM27402's package is not directly connected to any leads of the package, it is thermally connected to the substrate of the device (ground). This allows a significant improvement in heat-sinking, and it becomes imperative that the PCB is designed with thermal lands, thermal vias, and a ground plane to complete the heat removal subsystem. The LM27402's exposed pad is soldered to the ground-connected copper land on the PCB directly underneath the device package, reducing the thermal resistance to a very low value.

Numerous vias with a 0.3-mm diameter connected from the thermal land to the internal/solder-side ground plane(s) are vital to help dissipation. In a multi-layer PCB design, a solid ground plane is typically placed on the PCB layer below the power components. Not only does this provide a plane for the power stage currents to flow but it also represents a thermally conductive path away from the heat generating devices.

The thermal characteristics of the MOSFETs also are significant. The high-side MOSFET's drain pad is normally connected to a VIN plane for heat-sinking. The low-side MOSFET's drain pad is tied to the SW plane, but the SW plane area is purposely kept relatively small to mitigate EMI concerns.

10.2 Layout Example

Figure 49 and Figure 50 show an example PCB layout based on the LM27402 20A EVM design. For more details, please see the *LM27402 Evaluation Board User's Guide*, [SNVA406](#).

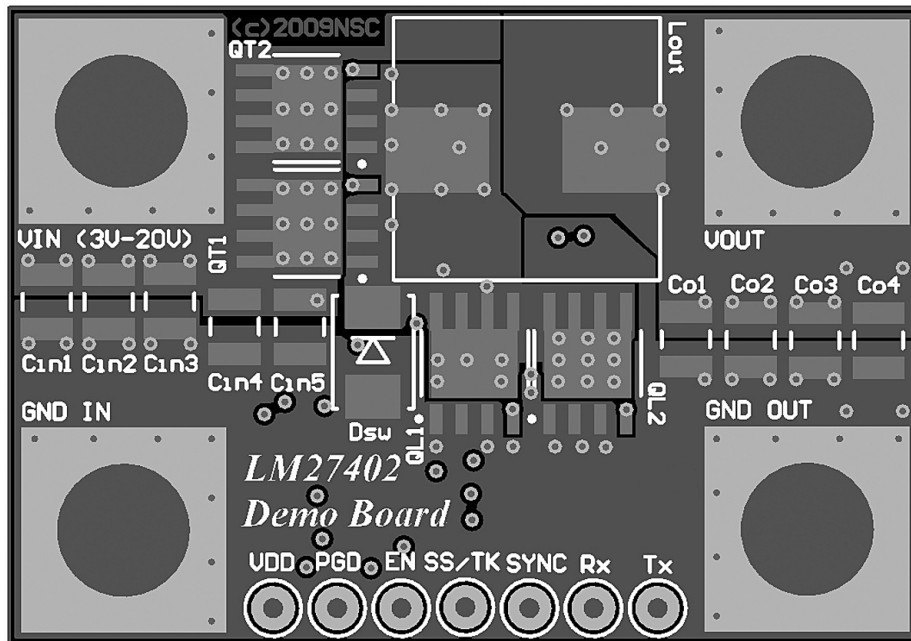


Figure 49. LM27402 PCB Layout – Top Layer

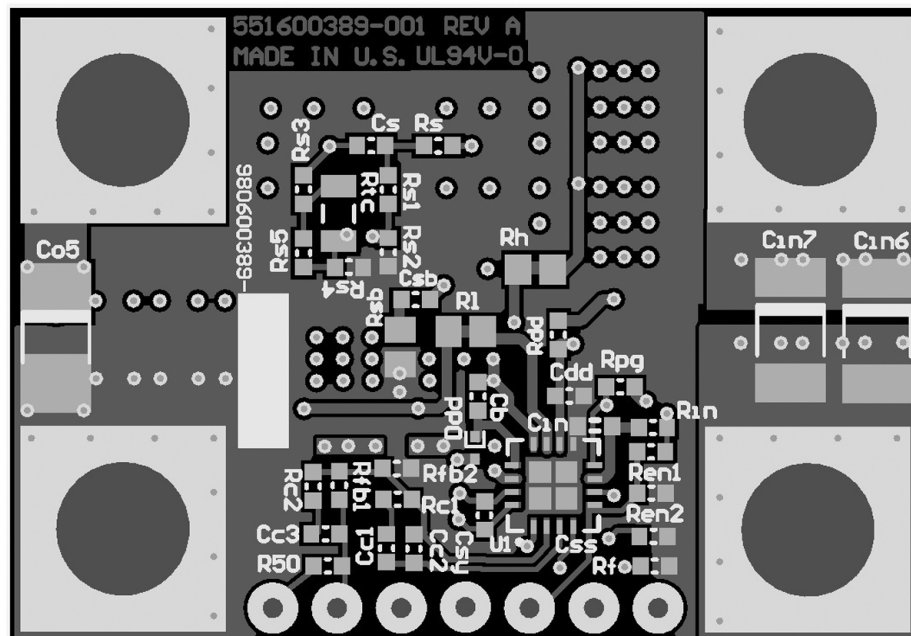


Figure 50. LM27402 PCB Layout – Bottom Layer

11 Device and Documentation Support

11.1 Device Support

11.1.1 Third-Party Products Disclaimer

TI'S PUBLICATION OF INFORMATION REGARDING THIRD-PARTY PRODUCTS OR SERVICES DOES NOT CONSTITUTE AN ENDORSEMENT REGARDING THE SUITABILITY OF SUCH PRODUCTS OR SERVICES OR A WARRANTY, REPRESENTATION OR ENDORSEMENT OF SUCH PRODUCTS OR SERVICES, EITHER ALONE OR IN COMBINATION WITH ANY TI PRODUCT OR SERVICE.

11.1.2 Development Support

11.1.2.1 Custom Design With WEBENCH® Tools

[Click here](#) to create a custom design using the LM27402 device with the WEBENCH® Power Designer.

1. Start by entering the input voltage (V_{IN}), output voltage (V_{OUT}), and output current (I_{OUT}) requirements.
2. Optimize the design for key parameters such as efficiency, footprint, and cost using the optimizer dial.
3. Compare the generated design with other possible solutions from Texas Instruments.

The WEBENCH Power Designer provides a customized schematic along with a list of materials with real-time pricing and component availability.

In most cases, these actions are available:

- Run electrical simulations to see important waveforms and circuit performance
- Run thermal simulations to understand board thermal performance
- Export customized schematic and layout into popular CAD formats
- Print PDF reports for the design, and share the design with colleagues

Get more information about WEBENCH tools at www.ti.com/WEBENCH.

- WEBENCH <http://www.ti.com/webench>
- TI NexFET™ Power Block Module [CSD87330Q3D](#)
- [LM27402 Design Tool](#)
- [TI Designs](#)

11.2 Documentation Support

11.2.1 Related Documentation

- *LM27402 EVM User's Guide*, [SNVA406](#)
- *LM27402 Current Limit Application Circuits*, [SNVA441](#)
- *6/4-Bit VID Programmable Current DAC for Point of Load Regulators with Adjustable Start-Up Current*, [SNVS822](#)

11.3 Receiving Notification of Documentation Updates

To receive notification of documentation updates, navigate to the device product folder on ti.com. In the upper right corner, click on *Alert me* to register and receive a weekly digest of any product information that has changed. For change details, review the revision history included in any revised document.

11.4 Community Resources

The following links connect to TI community resources. Linked contents are provided "AS IS" by the respective contributors. They do not constitute TI specifications and do not necessarily reflect TI's views; see TI's [Terms of Use](#).

TI E2E™ Online Community *TI's Engineer-to-Engineer (E2E) Community*. Created to foster collaboration among engineers. At e2e.ti.com, you can ask questions, share knowledge, explore ideas and help solve problems with fellow engineers.

Design Support *TI's Design Support* Quickly find helpful E2E forums along with design support tools and contact information for technical support.

11.5 Trademarks

NexFET, E2E are trademarks of Texas Instruments.
WEBENCH is a registered trademark of Texas Instruments.
All other trademarks are the property of their respective owners.

11.6 Electrostatic Discharge Caution



These devices have limited built-in ESD protection. The leads should be shorted together or the device placed in conductive foam during storage or handling to prevent electrostatic damage to the MOS gates.

11.7 Glossary

[SLYZ022](#) — *TI Glossary*.

This glossary lists and explains terms, acronyms, and definitions.

12 Mechanical, Packaging, and Orderable Information

The following pages include mechanical, packaging, and orderable information. This information is the most current data available for the designated devices. This data is subject to change without notice and revision of this document. For browser-based versions of this data sheet, refer to the left-hand navigation.

PACKAGING INFORMATION

Orderable Device	Status (1)	Package Type	Package Drawing	Pins	Package Qty	Eco Plan (2)	Lead finish/ Ball material (6)	MSL Peak Temp (3)	Op Temp (°C)	Device Marking (4/5)	Samples
LM27402MH/NOPB	ACTIVE	HTSSOP	PWP	16	92	RoHS & Green	SN	Level-1-260C-UNLIM		L27402 MH	Samples
LM27402MHX/NOPB	ACTIVE	HTSSOP	PWP	16	2500	RoHS & Green	SN	Level-1-260C-UNLIM		L27402 MH	Samples
LM27402SQ/NOPB	ACTIVE	WQFN	RUM	16	1000	RoHS & Green	NIPDAU SN	Level-1-260C-UNLIM	-40 to 125	27402S	Samples
LM27402SQX/NOPB	ACTIVE	WQFN	RUM	16	4500	RoHS & Green	SN	Level-1-260C-UNLIM	-40 to 125	27402S	Samples

(1) The marketing status values are defined as follows:

ACTIVE: Product device recommended for new designs.

LIFEBUY: TI has announced that the device will be discontinued, and a lifetime-buy period is in effect.

NRND: Not recommended for new designs. Device is in production to support existing customers, but TI does not recommend using this part in a new design.

PREVIEW: Device has been announced but is not in production. Samples may or may not be available.

OBSOLETE: TI has discontinued the production of the device.

(2) **RoHS:** TI defines "RoHS" to mean semiconductor products that are compliant with the current EU RoHS requirements for all 10 RoHS substances, including the requirement that RoHS substance do not exceed 0.1% by weight in homogeneous materials. Where designed to be soldered at high temperatures, "RoHS" products are suitable for use in specified lead-free processes. TI may reference these types of products as "Pb-Free".

RoHS Exempt: TI defines "RoHS Exempt" to mean products that contain lead but are compliant with EU RoHS pursuant to a specific EU RoHS exemption.

Green: TI defines "Green" to mean the content of Chlorine (Cl) and Bromine (Br) based flame retardants meet JS709B low halogen requirements of <=1000ppm threshold. Antimony trioxide based flame retardants must also meet the <=1000ppm threshold requirement.

(3) MSL, Peak Temp. - The Moisture Sensitivity Level rating according to the JEDEC industry standard classifications, and peak solder temperature.

(4) There may be additional marking, which relates to the logo, the lot trace code information, or the environmental category on the device.

(5) Multiple Device Markings will be inside parentheses. Only one Device Marking contained in parentheses and separated by a "~" will appear on a device. If a line is indented then it is a continuation of the previous line and the two combined represent the entire Device Marking for that device.

(6) Lead finish/Ball material - Orderable Devices may have multiple material finish options. Finish options are separated by a vertical ruled line. Lead finish/Ball material values may wrap to two lines if the finish value exceeds the maximum column width.

Important Information and Disclaimer:The information provided on this page represents TI's knowledge and belief as of the date that it is provided. TI bases its knowledge and belief on information provided by third parties, and makes no representation or warranty as to the accuracy of such information. Efforts are underway to better integrate information from third parties. TI has taken and

continues to take reasonable steps to provide representative and accurate information but may not have conducted destructive testing or chemical analysis on incoming materials and chemicals. TI and TI suppliers consider certain information to be proprietary, and thus CAS numbers and other limited information may not be available for release.

In no event shall TI's liability arising out of such information exceed the total purchase price of the TI part(s) at issue in this document sold by TI to Customer on an annual basis.

TAPE AND REEL INFORMATION

QUADRANT ASSIGNMENTS FOR PIN 1 ORIENTATION IN TAPE


*All dimensions are nominal

Device	Package Type	Package Drawing	Pins	SPQ	Reel Diameter (mm)	Reel Width W1 (mm)	A0 (mm)	B0 (mm)	K0 (mm)	P1 (mm)	W (mm)	Pin1 Quadrant
LM27402MHX/NOPB	HTSSOP	PWP	16	2500	330.0	12.4	6.95	5.6	1.6	8.0	12.0	Q1
LM27402SQ/NOPB	WQFN	RUM	16	1000	178.0	12.4	4.3	4.3	1.3	8.0	12.0	Q1
LM27402SQX/NOPB	WQFN	RUM	16	4500	330.0	12.4	4.3	4.3	1.3	8.0	12.0	Q1

TAPE AND REEL BOX DIMENSIONS



*All dimensions are nominal

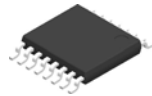
Device	Package Type	Package Drawing	Pins	SPQ	Length (mm)	Width (mm)	Height (mm)
LM27402MHX/NOPB	HTSSOP	PWP	16	2500	367.0	367.0	35.0
LM27402SQ/NOPB	WQFN	RUM	16	1000	210.0	185.0	35.0
LM27402SQX/NOPB	WQFN	RUM	16	4500	367.0	367.0	35.0

TUBE


*All dimensions are nominal

Device	Package Name	Package Type	Pins	SPQ	L (mm)	W (mm)	T (μm)	B (mm)
LM27402MH/NOPB	PWP	HTSSOP	16	92	495	8	2514.6	4.06

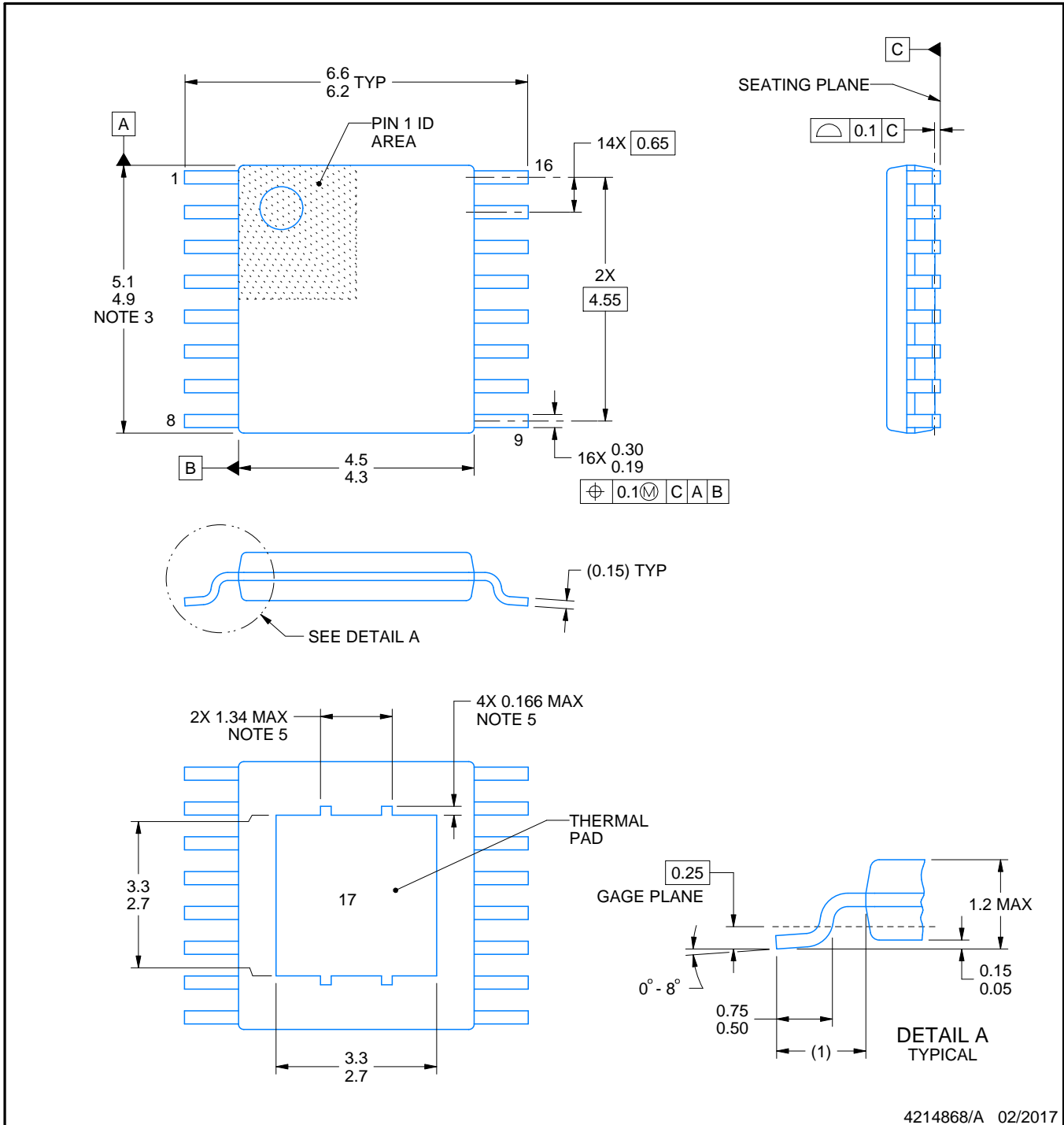
PWP0016A



PACKAGE OUTLINE

PowerPAD™ HTSSOP - 1.2 mm max height

PLASTIC SMALL OUTLINE



4214868/A 02/2017

NOTES:

PowerPAD is a trademark of Texas Instruments.

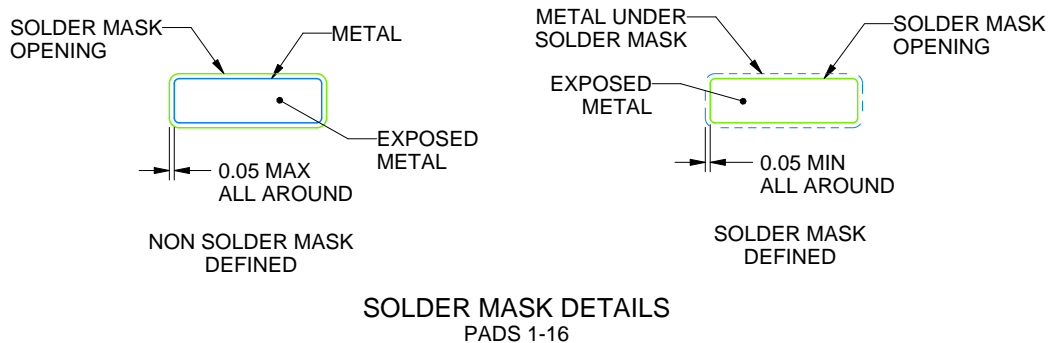
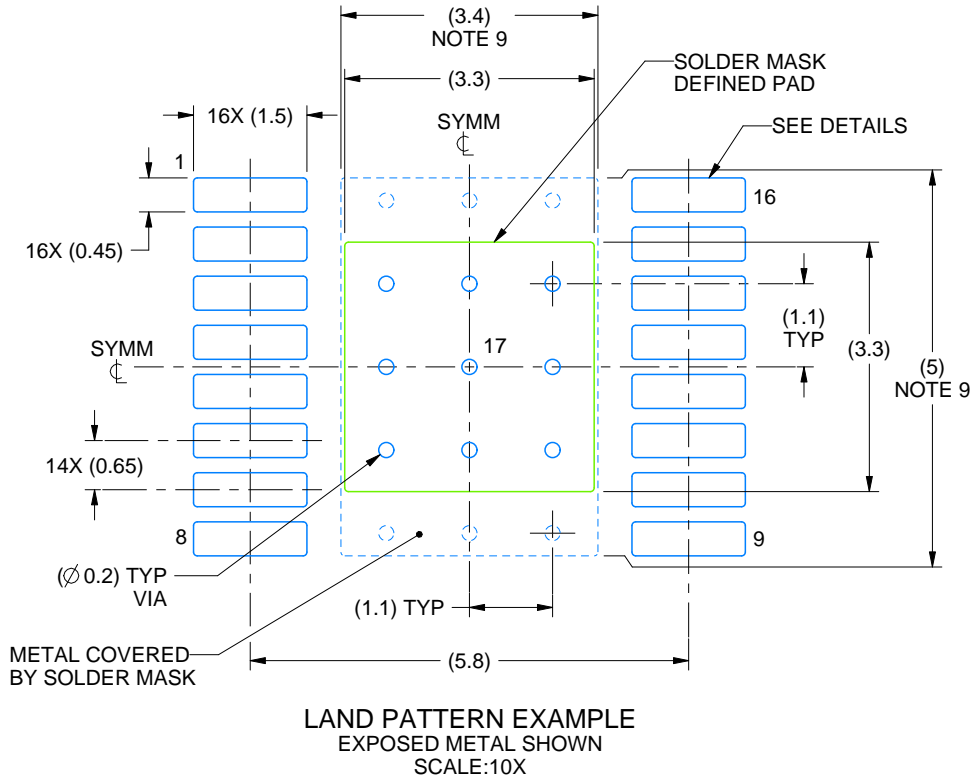
1. All linear dimensions are in millimeters. Any dimensions in parenthesis are for reference only. Dimensioning and tolerancing per ASME Y14.5M.
2. This drawing is subject to change without notice.
3. This dimension does not include mold flash, protrusions, or gate burrs. Mold flash, protrusions, or gate burrs shall not exceed 0.15 mm per side.
4. Reference JEDEC registration MO-153.
5. Features may not be present.

EXAMPLE BOARD LAYOUT

PWP0016A

PowerPAD™ HTSSOP - 1.2 mm max height

PLASTIC SMALL OUTLINE



4214868/A 02/2017

NOTES: (continued)

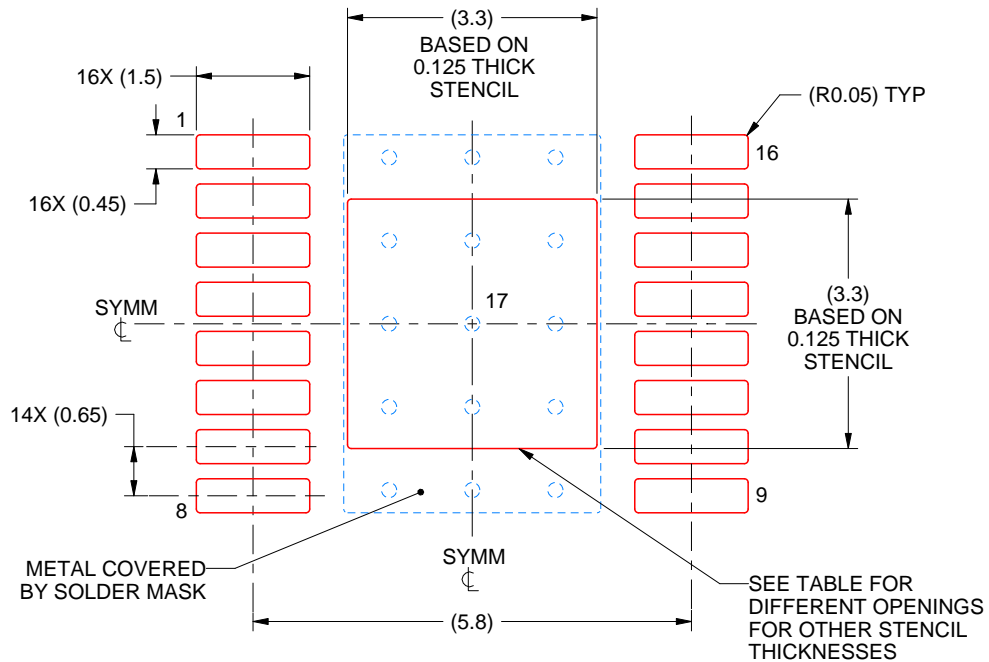
6. Publication IPC-7351 may have alternate designs.
7. Solder mask tolerances between and around signal pads can vary based on board fabrication site.
8. This package is designed to be soldered to a thermal pad on the board. For more information, see Texas Instruments literature numbers SLMA002 (www.ti.com/lit/slma002) and SLMA004 (www.ti.com/lit/slma004).
9. Size of metal pad may vary due to creepage requirement.

EXAMPLE STENCIL DESIGN

PWP0016A

PowerPAD™ HTSSOP - 1.2 mm max height

PLASTIC SMALL OUTLINE



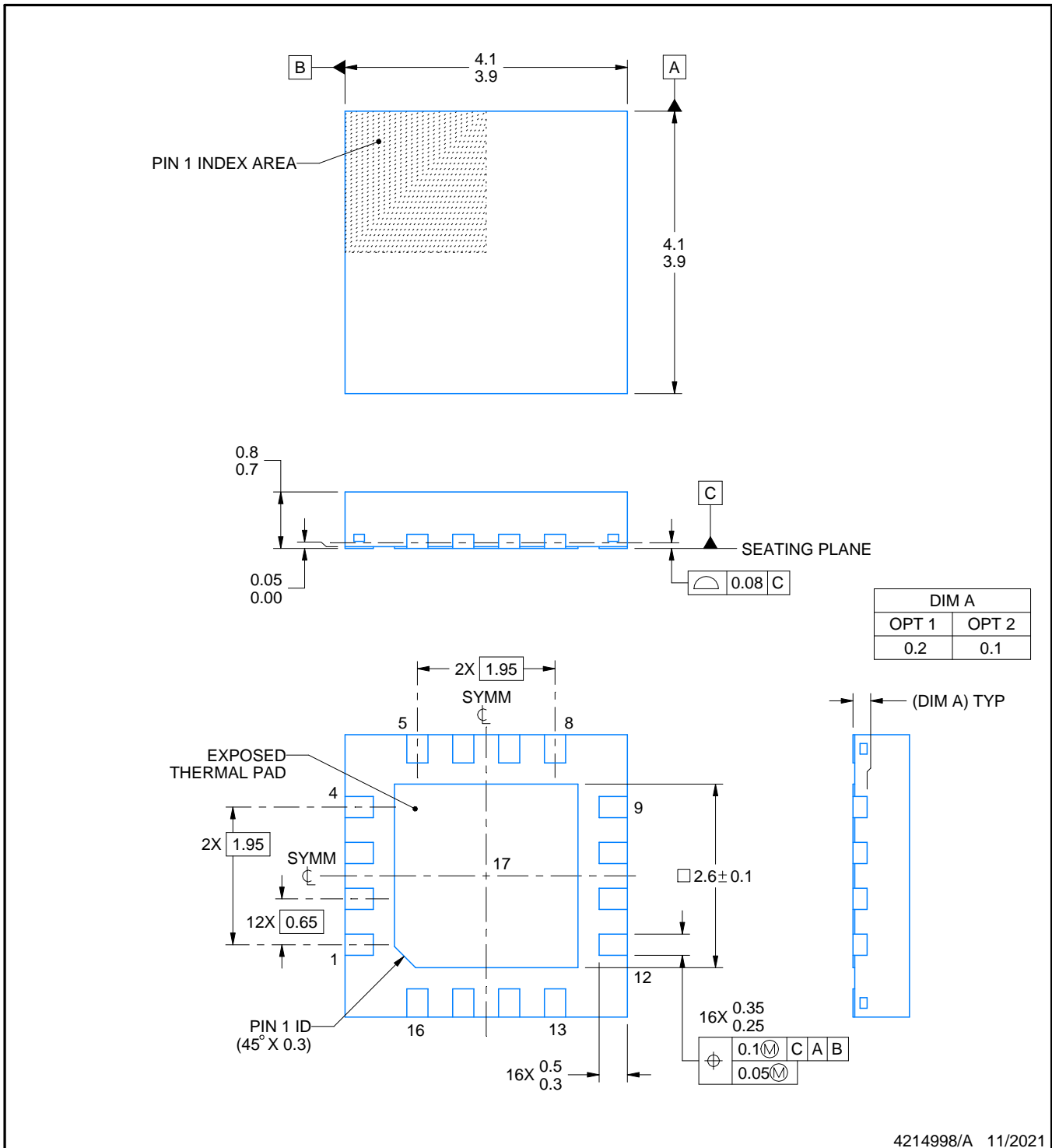
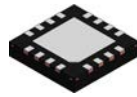
SOLDER PASTE EXAMPLE
 EXPOSED PAD
 100% PRINTED SOLDER COVERAGE BY AREA
 SCALE:10X

STENCIL THICKNESS	SOLDER STENCIL OPENING
0.1	3.69 X 3.69
0.125	3.3 X 3.3 (SHOWN)
0.15	3.01 X 3.01
0.175	2.79 X 2.79

4214868/A 02/2017

NOTES: (continued)

10. Laser cutting apertures with trapezoidal walls and rounded corners may offer better paste release. IPC-7525 may have alternate design recommendations.
11. Board assembly site may have different recommendations for stencil design.



4214998/A 11/2021

NOTES:

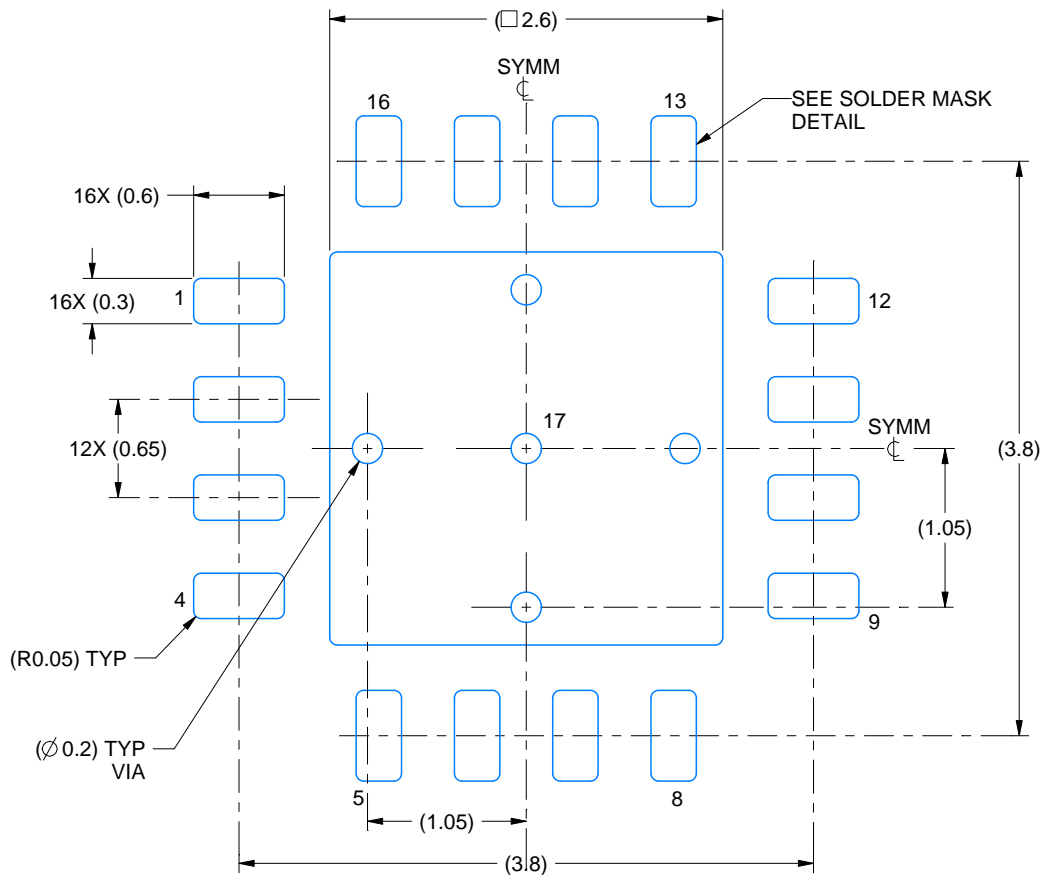
1. All linear dimensions are in millimeters. Any dimensions in parenthesis are for reference only. Dimensioning and tolerancing per ASME Y14.5M.
2. This drawing is subject to change without notice.
3. The package thermal pad must be soldered to the printed circuit board for thermal and mechanical performance.

EXAMPLE BOARD LAYOUT

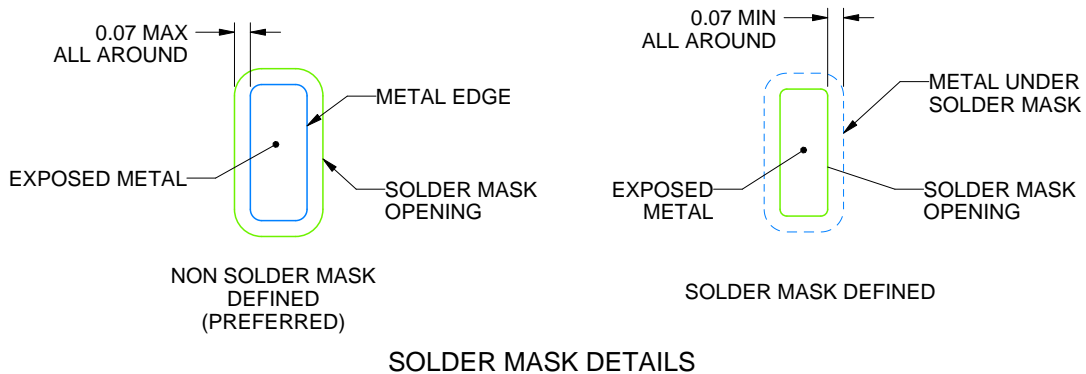
RUM0016A

WQFN - 0.8 mm max height

PLASTIC QUAD FLATPACK - NO LEAD



LAND PATTERN EXAMPLE
EXPOSED METAL SHOWN
SCALE: 20X



SOLDER MASK DETAILS

4214998/A 11/2021

NOTES: (continued)

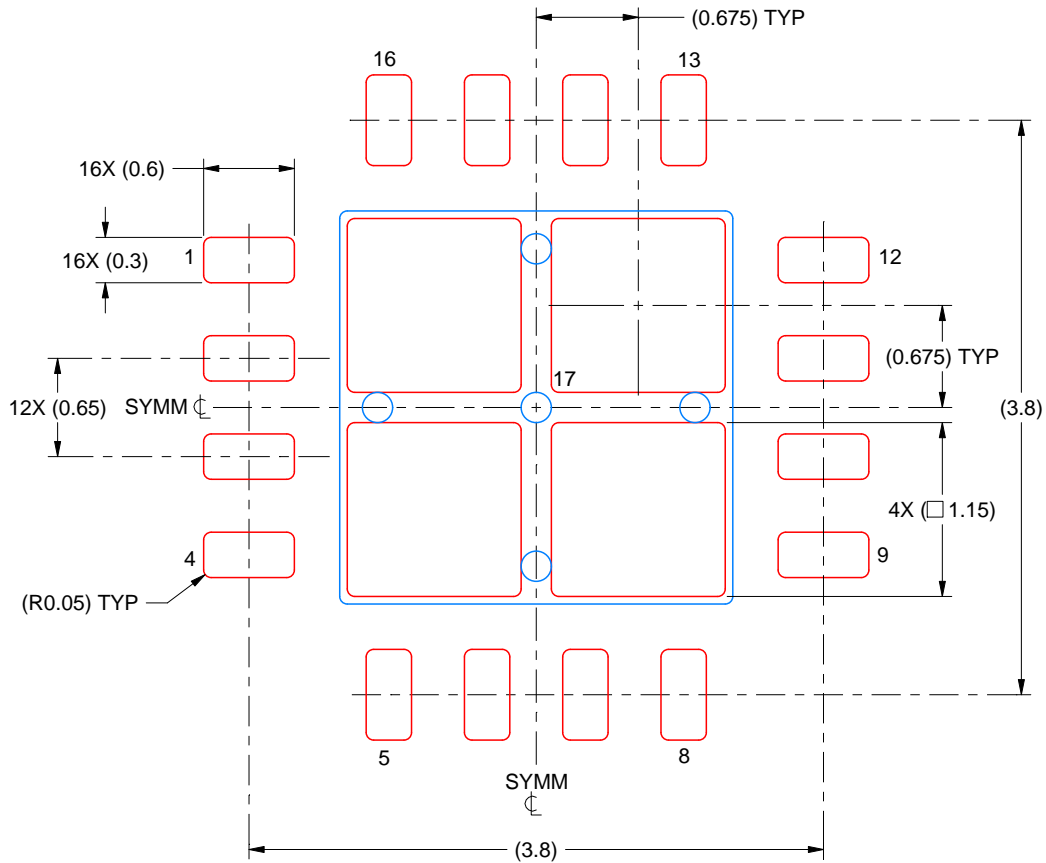
- This package is designed to be soldered to a thermal pad on the board. For more information, see Texas Instruments literature number SLUA271 (www.ti.com/lit/sluea271).
- Vias are optional depending on application, refer to device data sheet. If any vias are implemented, refer to their locations shown on this view. It is recommended that vias under paste be filled, plugged or tented.

EXAMPLE STENCIL DESIGN

RUM0016A

WQFN - 0.8 mm max height

PLASTIC QUAD FLATPACK - NO LEAD



SOLDER PASTE EXAMPLE
BASED ON 0.125 MM THICK STENCIL
SCALE: 20X

EXPOSED PAD 17
78% PRINTED SOLDER COVERAGE BY AREA UNDER PACKAGE

4214998/A 11/2021

NOTES: (continued)

6. Laser cutting apertures with trapezoidal walls and rounded corners may offer better paste release. IPC-7525 may have alternate design recommendations.

IMPORTANT NOTICE AND DISCLAIMER

TI PROVIDES TECHNICAL AND RELIABILITY DATA (INCLUDING DATA SHEETS), DESIGN RESOURCES (INCLUDING REFERENCE DESIGNS), APPLICATION OR OTHER DESIGN ADVICE, WEB TOOLS, SAFETY INFORMATION, AND OTHER RESOURCES "AS IS" AND WITH ALL FAULTS, AND DISCLAIMS ALL WARRANTIES, EXPRESS AND IMPLIED, INCLUDING WITHOUT LIMITATION ANY IMPLIED WARRANTIES OF MERCHANTABILITY, FITNESS FOR A PARTICULAR PURPOSE OR NON-INFRINGEMENT OF THIRD PARTY INTELLECTUAL PROPERTY RIGHTS.

These resources are intended for skilled developers designing with TI products. You are solely responsible for (1) selecting the appropriate TI products for your application, (2) designing, validating and testing your application, and (3) ensuring your application meets applicable standards, and any other safety, security, regulatory or other requirements.

These resources are subject to change without notice. TI grants you permission to use these resources only for development of an application that uses the TI products described in the resource. Other reproduction and display of these resources is prohibited. No license is granted to any other TI intellectual property right or to any third party intellectual property right. TI disclaims responsibility for, and you will fully indemnify TI and its representatives against, any claims, damages, costs, losses, and liabilities arising out of your use of these resources.

TI's products are provided subject to [TI's Terms of Sale](#) or other applicable terms available either on [ti.com](https://www.ti.com) or provided in conjunction with such TI products. TI's provision of these resources does not expand or otherwise alter TI's applicable warranties or warranty disclaimers for TI products.

TI objects to and rejects any additional or different terms you may have proposed.

Mailing Address: Texas Instruments, Post Office Box 655303, Dallas, Texas 75265
Copyright © 2023, Texas Instruments Incorporated