

# LM3243 High-Current Step-Down Converter for 2G, 3G, and 4G RF Power Amplifiers

## 1 Features

- Input Voltage Range: 2.7 V to 5.5 V
- High-Efficiency PFM and PWM Modes With Internal Synchronous Rectification
- Analog Bypass Function with Low Dropout Resistance (45 mΩ Typical)
- Dynamically Adjustable Output Voltage: 0.4 V to 3.6 V (Typical) in PFM and PWM Modes
- Maximum Load Current: 2.5 A in PWM Mode
- PWM Switching Frequency: 2.7 MHz (Average)
- Modulated Switching Frequency to Aid Rx Band Compliance
- Operates From a Single Li-ion Cell (2.7 V to 5.5 V)
- Current and Thermal Overload Protection
- ACB Reduces Inductor Requirements and Size
- Minimum Total Solution Size by Using Small Footprint and Case Size Inductor and Capacitors

## 2 Applications

- Cellular Phones
- Hand-Held Radios
- RF PC Cards
- Battery-Powered RF Devices

## 3 Description

The LM3243 is a DC-DC converter optimized for powering multi-mode 2G, 3G, and 4G RF power amplifiers (PAs) from a single Lithium-Ion cell. The LM3243 steps down an input voltage from 2.7 V to 5.5 V to a dynamically adjustable output voltage of 0.4 V to 3.6 V. The output voltage is set through a VCON analog input that adjusts the output voltage to ensure efficient operation at all power levels of the RF PA.

The LM3243 operates in constant frequency PWM mode producing a small and predictable amount of output voltage ripple. This enables best ECTEL power requirements in GMSK and EDGE spectral compliance, with the minimal amount of filtering and excess headroom. When operating in PFM mode, the LM3243 enables the lowest DG09 current consumption and therefore maximizes system efficiency.

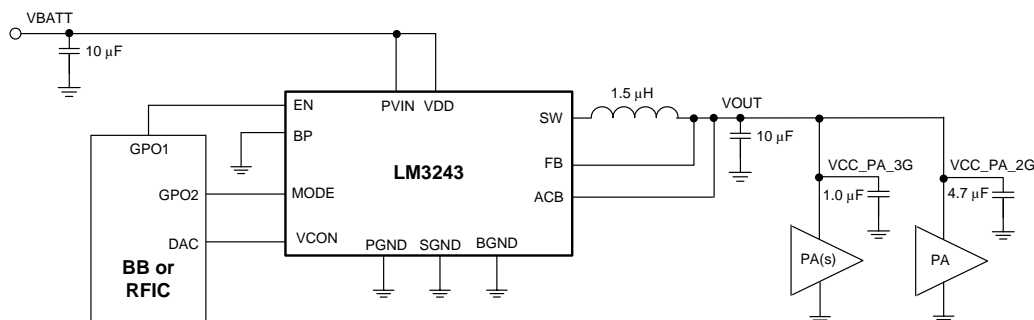
The LM3243 has a unique Active Current assist and analog Bypass (ACB) feature to minimize inductor size without any loss of output regulation for the entire battery voltage and RF output power range, until dropout. ACB provides a parallel current path, when needed, to limit the maximum inductor current to 1.4 A (typical) while still driving a 2.5-A load. The ACB also enables operation with minimal dropout voltage. When considering using the LM3243 in a system design, see the [Layout](#) section of this data sheet.

### Device Information<sup>(1)</sup>

PART NUMBER	PACKAGE	BODY SIZE (MAX)
LM3243	DSBGA (16)	2.049 mm x 2.049 mm

(1) For all available packages, see the orderable addendum at the end of the data sheet.

### Typical System Application Diagram



## Table of Contents

<b>1 Features</b> .....	<b>1</b>	7.4 Device Functional Modes.....	<b>13</b>
<b>2 Applications</b> .....	<b>1</b>	<b>8 Application and Implementation</b> .....	<b>15</b>
<b>3 Description</b> .....	<b>1</b>	8.1 Application Information.....	<b>15</b>
<b>4 Revision History</b> .....	<b>2</b>	8.2 Typical Application .....	<b>15</b>
<b>5 Pin Configuration and Functions</b> .....	<b>3</b>	<b>9 Power Supply Recommendations</b> .....	<b>19</b>
<b>6 Specifications</b> .....	<b>4</b>	<b>10 Layout</b> .....	<b>20</b>
6.1 Absolute Maximum Ratings .....	<b>4</b>	10.1 Layout Guidelines .....	<b>20</b>
6.2 ESD Ratings.....	<b>4</b>	10.2 Layout Example .....	<b>21</b>
6.3 Recommended Operating Conditions.....	<b>4</b>	10.3 DSBGA Package Assembly and Use .....	<b>25</b>
6.4 Thermal Information .....	<b>5</b>	<b>11 Device and Documentation Support</b> .....	<b>26</b>
6.5 Electrical Characteristics .....	<b>5</b>	11.1 Device Support.....	<b>26</b>
6.6 System Characteristics .....	<b>6</b>	11.2 Documentation Support .....	<b>26</b>
6.7 Timing Requirements .....	<b>7</b>	11.3 Community Resources.....	<b>26</b>
6.8 Typical Characteristics.....	<b>8</b>	11.4 Trademarks .....	<b>26</b>
<b>7 Detailed Description</b> .....	<b>11</b>	11.5 Electrostatic Discharge Caution.....	<b>26</b>
7.1 Overview .....	<b>11</b>	11.6 Glossary .....	<b>26</b>
7.2 Functional Block Diagram .....	<b>12</b>	<b>12 Mechanical, Packaging, and Orderable Information</b> .....	<b>26</b>
7.3 Feature Description.....	<b>12</b>		

## 4 Revision History

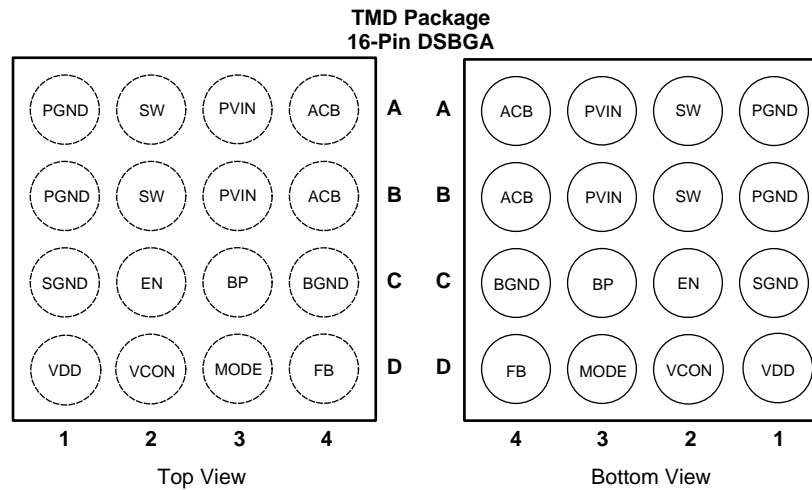
NOTE: Page numbers for previous revisions may differ from page numbers in the current version.

### Changes from Revision B (February 2013) to Revision C

Page

- Added *Device Information* and *Pin Configuration and Functions* sections, ESD Rating table, *Feature Description*, *Device Functional Modes*, *Application and Implementation*, *Power Supply Recommendations*, *Layout*, *Device and Documentation Support*, and *Mechanical, Packaging, and Orderable Information* sections ..... **1**

## 5 Pin Configuration and Functions



### Pin Functions

PIN		TYPE	DESCRIPTION
NO.	NAME		
A1	PGND	Ground	Power ground to the internal NFET switch.
B1			
C1	SGND	Ground	Signal analog and control ground (low current).
D1	VDD	Power	Analog supply input.
A2	SW	Analog	Switching node connection to the internal PFET switch and NFET synchronous rectifier. Connect to an inductor with a saturation current rating that exceeds the $I_{LIM,PFET,Steady\ State}$ current limit specification of the LM3243.
B2			
C2	EN	Digital/Input	Enable input. Set this digital input HIGH for normal operation. For shutdown, set low. Pin has an 800-k $\Omega$ internal pulldown resistor.
D2	VCON	Analog	Voltage control analog input. $V_{OUT} = 2.5 \times VCON$ .
A3	PVIN	Power	Power supply voltage input to the internal PFET switch and ACB.
B3			
C3	BP	Digital	Bypass mode input. Set the pin HIGH for forced Bypass mode operation. Set the pin LOW for automatic analog bypass mode (recommended).
D3	MODE	Digital/Input	PWM/PFM mode selection input. Setting the pin HIGH allows for PFM or PWM, depending on the load current. Setting the pin LOW forces the part to be in PWM only.
A4	ACB	Output	Analog Current Bypass (ACB). Connect to the output at the output filter capacitor.
B4			
C4	BGND	Ground	ACB ground (high current).
D4	FB	Analog	Feedback analog input. Connect to the output at the output filter capacitor.

## 6 Specifications

### 6.1 Absolute Maximum Ratings

 over operating free-air temperature range (unless otherwise noted)<sup>(1)(2)(3)</sup>

	MIN	MAX	UNIT
VDD, PVIN to SGND	-0.2	6	V
PGND to SGND	-0.2	0.2	V
EN, FB, VCON, BP, MODE	(SGND - 0.2)	(VDD + 0.2)	V
SW, ACB	(PGND - 0.2)	(PVIN + 0.2)	V
PVIN to VDD	-0.2	0.2	V
Continuous power dissipation <sup>(4)</sup>	Internally limited		
Junction temperature, T <sub>J-MAX</sub>		150	°C
Maximum lead temperature (soldering, 10 sec)		150	°C
Storage temperature, T <sub>stg</sub>	-65°	150	°C

- (1) Stresses beyond those listed under *Absolute Maximum Ratings* may cause permanent damage to the device. These are stress ratings only, which do not imply functional operation of the device at these or any other conditions beyond those indicated under *Recommended Operating Conditions*. Exposure to absolute-maximum-rated conditions for extended periods may affect device reliability.
- (2) *Absolute Maximum Ratings* indicate limits beyond which damage to the component may occur. *Recommended Operating Conditions* are conditions under which operation of the device is specified. Operating Ratings do not imply verified performance limits. For performance limits and associated test conditions, see [Electrical Characteristics](#).
- (3) All voltages are with respect to the potential at the GND pins. The LM3243 is designed for mobile phone applications where turnon after power-up is controlled by the system controller and where requirements for a small package size overrule increased die size for internal undervoltage lock-out (UVLO) circuitry. Thus, it should be kept in shutdown by holding the EN pin LOW until the input voltage exceeds 2.7 V.
- (4) Internal thermal shutdown circuitry protects the device from permanent damage. Thermal shutdown engages at T<sub>J</sub> = 150°C (typical) and disengages at T<sub>J</sub> = 130°C (typical).

### 6.2 ESD Ratings

	VALUE	UNIT
V <sub>(ESD)</sub> Electrostatic discharge Human-body model (HBM), per ANSI/ESDA/JEDEC JS-001 <sup>(1)</sup>	±2000	V

- (1) JEDEC document JEP155 states that 500-V HBM allows safe manufacturing with a standard ESD control process.

### 6.3 Recommended Operating Conditions

 over operating free-air temperature range (unless otherwise noted)<sup>(1)(2)</sup>

	MIN	NOM	MAX	UNIT
Input voltage	2.7		5.5	V
Recommended load current			2.5	A
Junction temperature, T <sub>J</sub>	-30		125	°C
Ambient temperature, T <sub>A</sub> <sup>(3)</sup>	-30		90	°C

- (1) Stresses beyond those listed under *Absolute Maximum Ratings* may cause permanent damage to the device. These are stress ratings only, which do not imply functional operation of the device at these or any other conditions beyond those indicated under *Recommended Operating Conditions*. Exposure to absolute-maximum-rated conditions for extended periods may affect device reliability.
- (2) All voltages are with respect to the potential at the GND pins. The LM3243 is designed for mobile phone applications where turnon after power up is controlled by the system controller and where requirements for a small package size overrule increased die size for internal undervoltage lock-out (UVLO) circuitry. Thus, it should be kept in shutdown by holding the EN pin LOW until the input voltage exceeds 2.7 V.
- (3) In applications where high-power dissipation and/or poor package thermal resistance is present, the maximum ambient temperature may have to be de-rated. Maximum ambient temperature (T<sub>A-MAX</sub>) is dependent on the maximum operating junction temperature (T<sub>J-MAX-OP</sub> = 125°C), the maximum power dissipation of the device in the application (P<sub>D-MAX</sub>), and the junction-to ambient thermal resistance of the part/package in the application (R<sub>θJA</sub>), as given by the following equation: T<sub>A-MAX</sub> = T<sub>J-MAX-OP</sub> - (R<sub>θJA</sub> × P<sub>D-MAX</sub>). At higher power levels duty cycle usage is assumed to drop (that is, max power 12.5% usage is assumed) for 2G mode.

## 6.4 Thermal Information

THERMAL METRIC <sup>(1)</sup>		LM3243	
		TMD (DSBGA)	
		16 PINS	
R <sub>θJA</sub>	Junction-to-ambient thermal resistance	50	°C/W

(1) For more information about traditional and new thermal metrics, see the *Semiconductor and IC Package Thermal Metrics* application report, [SPRA953](#).

## 6.5 Electrical Characteristics

Unless otherwise noted, all specifications apply to [Typical System Application Diagram](#) with: PVIN = VDD = EN = 3.8 V, BP = 0 V. All typical (TYP) limits apply for T<sub>A</sub> = T<sub>J</sub> = 25°C, and all minimum (MIN) and maximum (MAX) apply over the full operating ambient temperature range (-30°C ≤ T<sub>A</sub> = T<sub>J</sub> ≤ +90°C), unless otherwise specified.<sup>(1)(2)(3)</sup>

PARAMETER		TEST CONDITIONS	MIN	TYP	MAX	UNIT
V <sub>FB, LOW</sub>	Feedback voltage at low setting	VCON = 0.16 V, MODE = LOW <sup>(3)</sup>	0.35	0.40	0.45	V
V <sub>FB, HIGH</sub>	Feedback voltage at high setting	VCON = 1.44 V, V <sub>IN</sub> = 3.9 V, MODE = LOW <sup>(3)</sup>	3.492	3.6	3.708	V
I <sub>SHDN</sub>	Shutdown supply current	EN = SW = VCON = 0 V <sup>(4)</sup>		0.02	4	μA
I <sub>q_PFM</sub>	DC bias current into VDD	No switching <sup>(5)</sup> MODE = HIGH		260	310	μA
I <sub>q_PWM</sub>	DC bias current into VDD	No switching <sup>(5)</sup> MODE = LOW		975	1100	μA
I <sub>LIM,PFET,Transient</sub>	Positive transient peak current limit	VCON = 0.6 V <sup>(6)</sup>		1.9	2.1	A
I <sub>LIM,PFET,Steady State</sub>	Positive steady-state peak current limit	VACB = 3.05 V VCON = 0.6 V <sup>(6)</sup>	1.34	1.45	1.65	A
I <sub>LIM, P_ACB</sub>	Positive active current assist peak current limit	VCON = 0.6 V, VACB = 2.8 V <sup>(6)</sup>	1.4	1.7	2	A
I <sub>LIM, NFET</sub>	NFET switch negative peak current limit	VCON = 1 V <sup>(6)</sup>	-1.69	-1.50	-1.31	A
F <sub>OSC</sub>	Average Internal oscillator frequency	VCON = 1 V	2.43	2.7	2.97	MHz
V <sub>IH</sub>	Logic HIGH input threshold	BP, EN, MODE	1.2			V
V <sub>IL</sub>	Logic LOW input threshold	BP, EN, MODE			0.5	V
I <sub>EN</sub>	EN pin pulldown current	EN = 3.6 V	0	5	10	μA
I <sub>IN</sub>	Pin input current	BP, MODE	-1		1	μA
I <sub>VCON</sub>	VCON pin leakage current	VCON = 1 V	-1		1	μA
Gain	VCON to V <sub>OUT</sub> Gain	0.16 V ≤ VCON ≤ 1.44 V <sup>(7)</sup>		2.5		V/V

- All voltages are with respect to the potential at the GND pins. The LM3243 is designed for mobile phone applications where turnon after power up is controlled by the system controller and where requirements for a small package size overrule increased die size for internal undervoltage lock-out (UVLO) circuitry. Thus, it should be kept in shutdown by holding the EN pin LOW until the input voltage exceeds 2.7 V.
- Minimum and Maximum limits are specified by design, test, or statistical analysis.
- The parameters in the electrical characteristics table are tested under open loop conditions at PVIN = VDD = 3.8 V. For performance over the input voltage range and closed-loop results, refer to the datasheet curves.
- Shutdown current includes leakage current of PFET.
- I<sub>q</sub> specified here is when the part is not switching. For operating input current at no load, refer to datasheet curves.
- Current limit is built-in, fixed, and not adjustable.
- Linearity limits are ±3% or ±50 mV, whichever is larger.

## 6.6 System Characteristics

The following spec table entries are specified by design and verifications providing the component values in the [Typical System Application Diagram](#) are used ( $L = 1.5 \mu\text{H}$ ,  $\text{DCR} = 120 \text{ m}\Omega$ , TOKO DFE201610C-1R5N,  $C_{\text{IN}} = 10 \mu\text{F}$ , 6.3 V, 0402, Samsung CL05A106MQ5NUN,  $C_{\text{OUT}} = 10 \mu\text{F} + 4.7 \mu\text{F} + 3 \times 1 \mu\text{F} + 3300 \text{ pF}$ : 6.3 V, 0402, Samsung CL05A106MQ5NUN, CL05A475MQNRN; 6.3 V, 0201 Samsung CL03A105MQ3CSN; 6.3 V, 01005 Murata GRM022R60J332K). *These parameters are not verified by production testing.* Minimum (MIN) and maximum (MAX) values are specified over the ambient temperature range  $T_A = -30^\circ\text{C}$  to  $90^\circ\text{C}$ . Typical (TYP) values are specified at  $\text{PVIN} = \text{VDD} = \text{EN} = 3.8 \text{ V}$ ,  $\text{BP} = 0 \text{ V}$  and  $T_A = 25^\circ\text{C}$  unless otherwise stated.

PARAMETER		TEST CONDITIONS	MIN	TYP	MAX	UNIT	
$R_{\text{tot\_drop}}$	Total dropout resistance in bypass mode	$V_{\text{CON}} = 1.5 \text{ V}$ Max value at $V_{\text{IN}} = 3.1 \text{ V}$ Inductor ESR $\leq 151 \text{ m}\Omega$		45	55	$\text{m}\Omega$	
$C_{\text{IN}}$	Pin input capacitance for BP, EN, MODE	Test frequency = 100 KHz		5		$\text{pF}$	
$I_{\text{OUT}}$	Maximum load current in PWM mode	Switcher + ACB	2.5			A	
$I_{\text{OUT, PU}}$	Maximum output transient pullup current limit	Switcher + ACB <sup>(1)</sup>	3				
$I_{\text{OUT, PD, PWM}}$	PWM maximum output transient pulldown current limit				-3		
$I_{\text{OUT, MAX-PFM}}$	Maximum output load current in PFM mode	$V_{\text{IN}} = 3.8 \text{ V}$ , $V_{\text{CON}} < 1$ $\text{MODE} = \text{HIGH}$ <sup>(1)</sup>	85			mA	
Linearity	Linearity in control range of $V_{\text{CON}} = 0.16 \text{ V}$ to $1.44 \text{ V}$	$V_{\text{IN}} = 4.2 \text{ V}$ <sup>(2)</sup> Monotonic in nature	-3%		3%		
			-50		50	mV	
$\eta$	Efficiency	$V_{\text{IN}} = 3.8 \text{ V}$ , $V_{\text{OUT}} = 1.8 \text{ V}$ $I_{\text{OUT}} = 10 \text{ mA}$ $\text{MODE} = \text{HIGH}$ (PFM)	79%	82%			
		$V_{\text{IN}} = 3.8 \text{ V}$ , $V_{\text{OUT}} = 0.5 \text{ V}$ $I_{\text{OUT}} = 5 \text{ mA}$ $\text{MODE} = \text{HIGH}$ (PFM)	58%	60%			
		$V_{\text{IN}} = 3.8 \text{ V}$ , $V_{\text{OUT}} = 3.5 \text{ V}$ $I_{\text{OUT}} = 1900 \text{ mA}$ $\text{MODE} = \text{LOW}$ (PWM)	89%	92%			
		$V_{\text{IN}} = 3.8 \text{ V}$ , $V_{\text{OUT}} = 2.5 \text{ V}$ $I_{\text{OUT}} = 250 \text{ mA}$ $\text{MODE} = \text{LOW}$ (PWM)	90%	93%			
		$V_{\text{IN}} = 3.8 \text{ V}$ , $V_{\text{OUT}} = 1.6 \text{ V}$ $I_{\text{OUT}} = 130 \text{ mA}$ $\text{MODE} = \text{LOW}$ (PWM)	83%	86%			
		$V_{\text{IN}} = 3.8 \text{ V}$ , $V_{\text{OUT}} = 1 \text{ V}$ $I_{\text{OUT}} = 400 \text{ mA}$ $\text{MODE} = \text{LOW}$ (PWM)	81%	84%			
$V_{\text{RIPPLE}}$	Ripple voltage at no pulse skipping condition	$V_{\text{IN}} = 0.4 \text{ V}$ to $3.6 \text{ V}$ $V_{\text{OUT}} = 0.4 \text{ V}$ to $3.6 \text{ V}$ , $R_{\text{OUT}} = 1.9 \Omega$ <sup>(3)</sup> $\text{MODE} = \text{LOW}$		1	3	mVpp	
	Ripple voltage at pulse skipping condition	$V_{\text{IN}} = 5.5 \text{ V}$ to dropout, $V_{\text{OUT}} = 3.6 \text{ V}$ , $R_{\text{OUT}} = 1.9 \Omega$ <sup>(3)</sup>			8		
	PFM ripple voltage	$V_{\text{IN}} = 3.2 \text{ V}$ , $V_{\text{OUT}} < 1.125 \text{ V}$ $I_{\text{OUT}} = 10 \text{ mA}$ , $\text{MODE} = \text{HIGH}$					50
		$V_{\text{IN}} = 3.2 \text{ V}$ , $V_{\text{OUT}} \leq 0.5 \text{ V}$ , $I_{\text{OUT}} = 5 \text{ mA}$ $\text{MODE} = \text{HIGH}$					50
Line_tr	Line transient response	$V_{\text{IN}} = 3.6 \text{ V}$ to $4.2 \text{ V}$ , $T_R = T_F = 10 \mu\text{s}$ , $V_{\text{OUT}} = 1 \text{ V}$ $I_{\text{OUT}} = 600 \text{ mA}$ , $\text{MODE} = \text{LOW}$		50		mVpk	

(1) Current limit is built-in, fixed, and not adjustable.

(2) Linearity limits are  $\pm 3\%$  or  $\pm 50 \text{ mV}$ , whichever is larger.

(3) Ripple voltage should be measured at  $C_{\text{OUT}}$  electrode on a well-designed PC board and using the suggested inductor and capacitors.

## System Characteristics (continued)

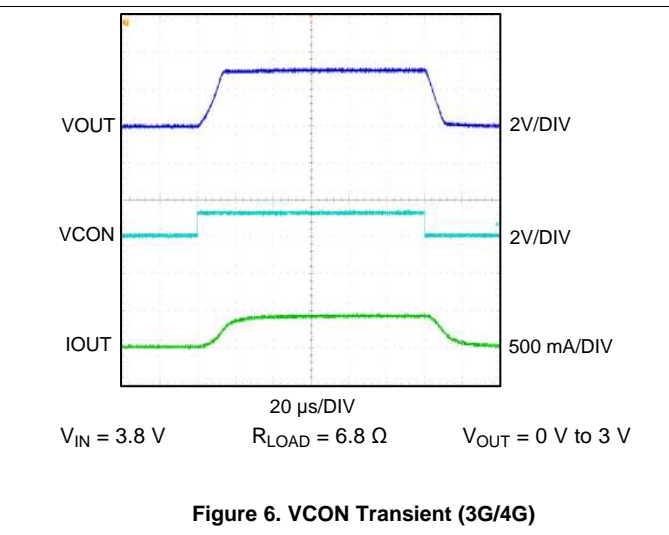
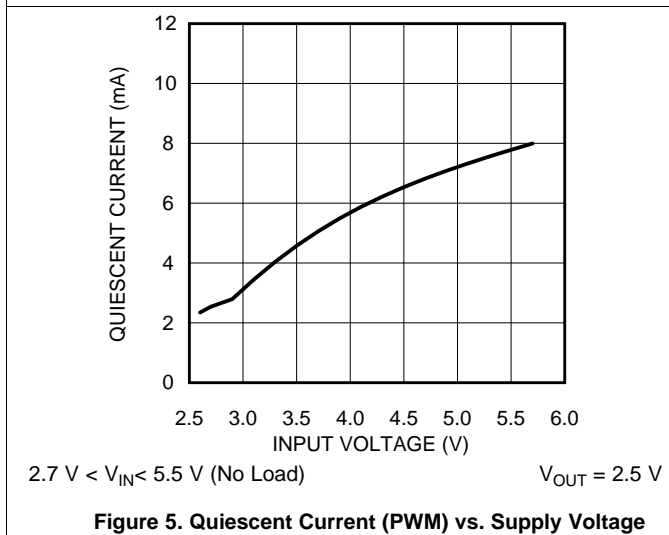
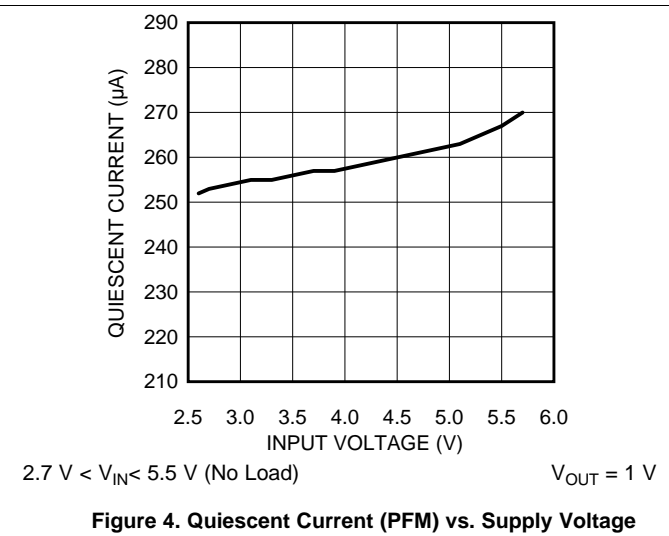
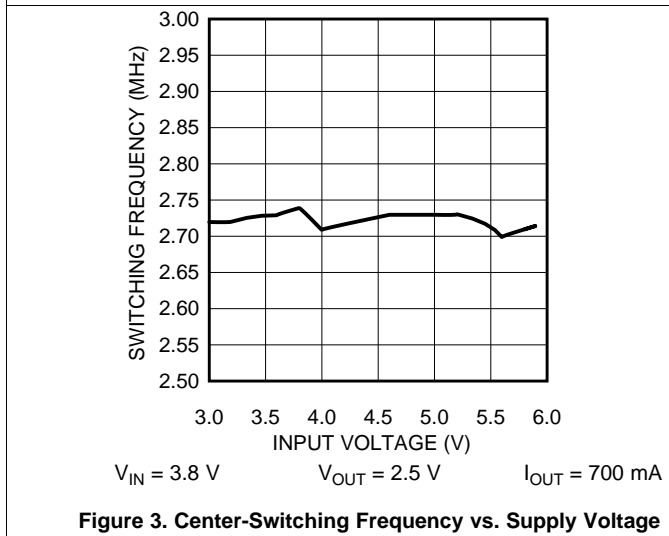
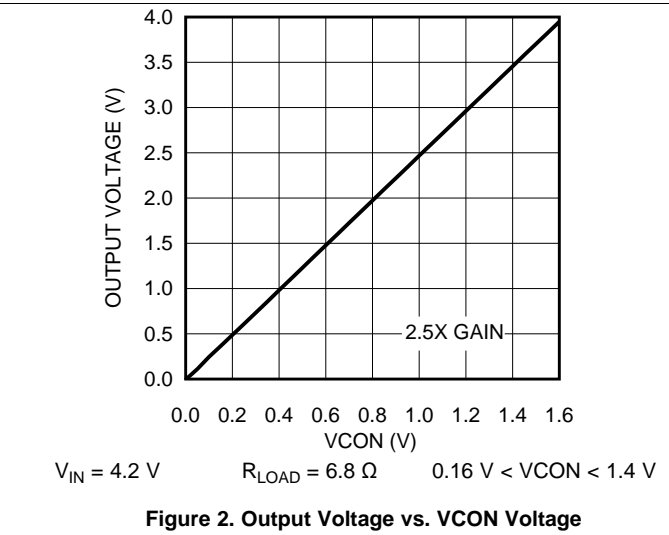
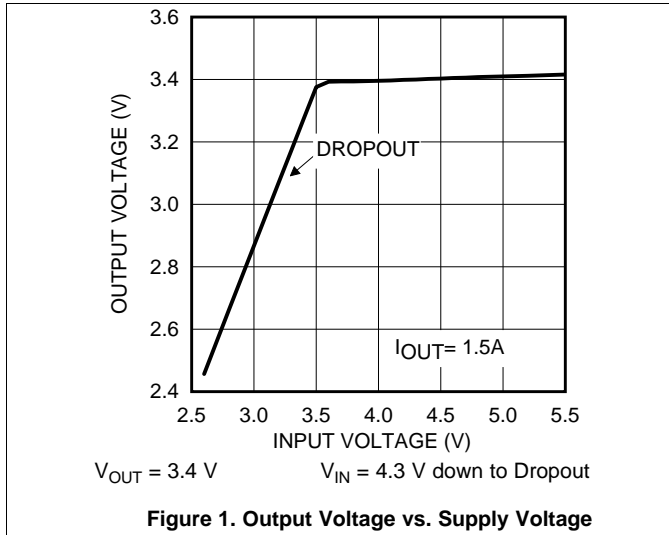
The following spec table entries are specified by design and verifications providing the component values in the [Typical System Application Diagram](#) are used ( $L = 1.5 \mu\text{H}$ ,  $\text{DCR} = 120 \text{ m}\Omega$ , TOKO DFE201610C-1R5N,  $C_{\text{IN}} = 10 \mu\text{F}$ , 6.3 V, 0402, Samsung CL05A106MQ5NUN,  $C_{\text{OUT}} = 10 \mu\text{F} + 4.7 \mu\text{F} + 3 \times 1 \mu\text{F} + 3300 \text{ pF}$ : 6.3 V, 0402, Samsung CL05A106MQ5NUN, CL05A475MQNRN; 6.3 V, 0201 Samsung CL03A105MQ3CSN; 6.3 V, 01005 Murata GRM022R60J332K). *These parameters are not verified by production testing.* Minimum (MIN) and maximum (MAX) values are specified over the ambient temperature range  $T_A = -30^\circ\text{C}$  to  $90^\circ\text{C}$ . Typical (TYP) values are specified at  $\text{PVIN} = \text{VDD} = \text{EN} = 3.8 \text{ V}$ ,  $\text{BP} = 0 \text{ V}$  and  $T_A = 25^\circ\text{C}$  unless otherwise stated.

PARAMETER		TEST CONDITIONS	MIN	TYP	MAX	UNIT
Load_tr	Load transient response	$V_{\text{OUT}} = 3 \text{ V}$ , $T_R = T_F = 10 \mu\text{s}$ $I_{\text{OUT}} = 0 \text{ A}$ to $1.2 \text{ A}$ MODE = LOW		40		mVpk
Maximum Duty Cycle	Maximum duty cycle	MODE = LOW	100%			
PFM_Freq	Minimum PFM frequency	$V_{\text{IN}} = 3.2 \text{ V}$ , $V_{\text{OUT}} = 1 \text{ V}$ $I_{\text{OUT}} = 10 \text{ mA}$ , MODE = HIGH	100	160		kHz
		$V_{\text{IN}} = 3.2 \text{ V}$ , $V_{\text{OUT}} = 0.5 \text{ V}$ $I_{\text{OUT}} = 5 \text{ mA}$ , MODE = HIGH	34	55		

## 6.7 Timing Requirements

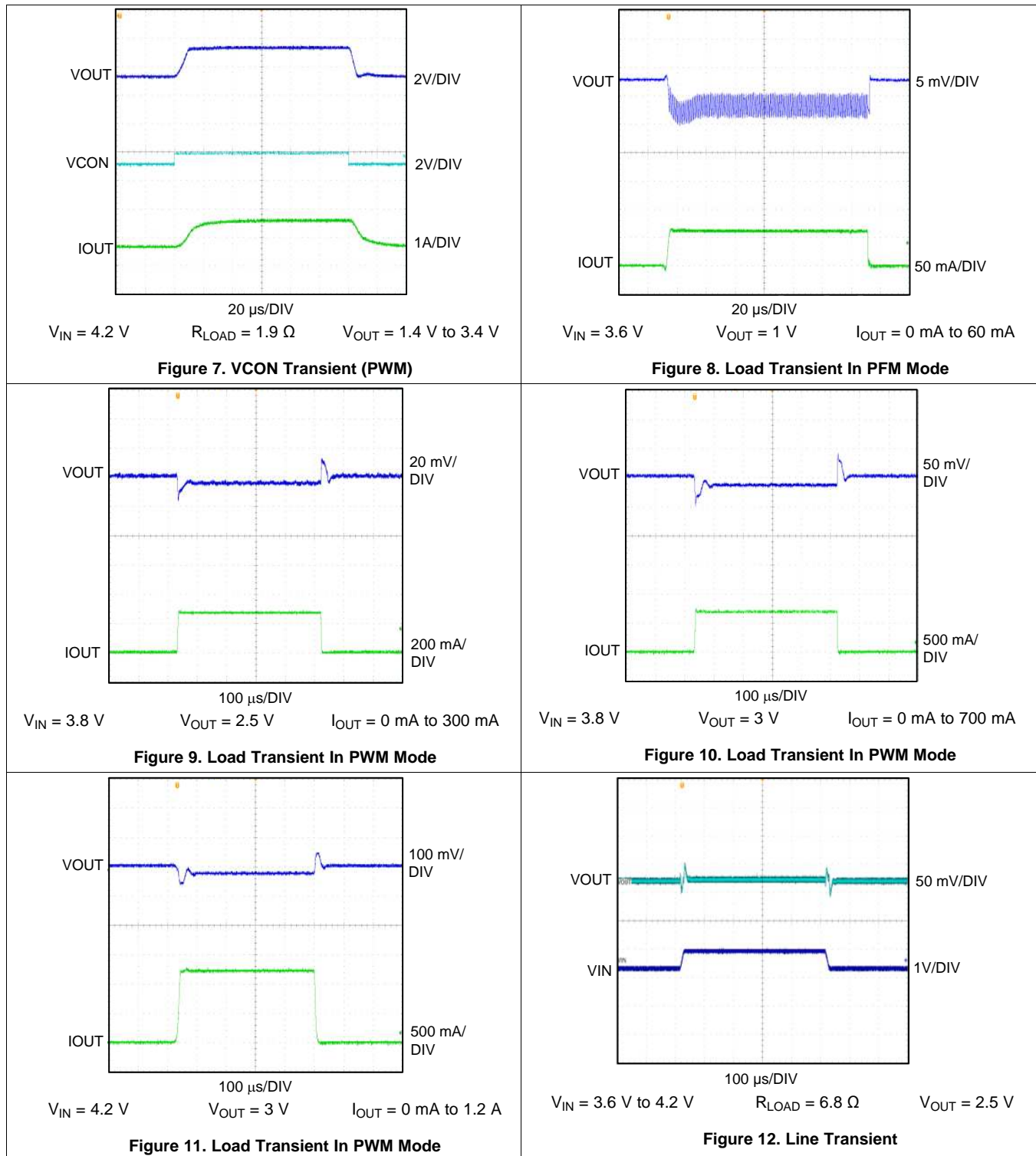
		MIN	MAX	UNIT
$t_{\text{SETUP}}$	Time for SW pin to become active upon power up; EN = LOW-to-HIGH	30		$\mu\text{s}$
$t_{\text{ON}}$	Turnon time (time for output to reach 90% of final value after EN LOW-to-HIGH transition) EN = LOW-to-HIGH, $V_{\text{IN}} = 4.2 \text{ V}$ , $V_{\text{CON}} = 1.36 \text{ V}$ , $V_{\text{OUT}} = 3.4 \text{ V}$ , $I_{\text{OUT}} \leq 1 \text{ mA}$		50	$\mu\text{s}$
$t_{\text{RESPONSE}}$	Time for $V_{\text{OUT}}$ to rise from 0 V to 3 V (90% or 2.7 V); $V_{\text{IN}} = 4.2 \text{ V}$ , $R_{\text{LOAD}} = 6.8 \Omega$ , $V_{\text{CON}} = 0 \text{ V}$ to $1.2 \text{ V}$		20	$\mu\text{s}$
	Time for $V_{\text{OUT}}$ to fall from 3.6 V to 2.6 V (10% or 2.7 V) $V_{\text{IN}} = 4.2 \text{ V}$ , $R_{\text{LOAD}} = 6.8 \Omega$ , $V_{\text{CON}} = 1.44 \text{ V}$ to $1.04 \text{ V}$		20	
	Time for $V_{\text{OUT}}$ to rise from 1.8 V to 2.8 V (90% or 2.7 V) $V_{\text{IN}} = 4.2 \text{ V}$ , $R_{\text{LOAD}} = 1.9 \Omega$ , $V_{\text{CON}} = 0.72 \text{ V}$ to $1.12 \text{ V}$		15	
	Time for $V_{\text{OUT}}$ to fall from 2.8 V to 1.8 V (10% or 1.9 V) $V_{\text{IN}} = 4.2 \text{ V}$ , $R_{\text{LOAD}} = 1.9 \Omega$ , $V_{\text{CON}} = 1.12 \text{ V}$ to $0.72 \text{ V}$		15	
	Time for $V_{\text{OUT}}$ to rise from 0 V to 3.4 V (90% or 3.1 V) $V_{\text{IN}} = 4.2 \text{ V}$ , $R_{\text{LOAD}} = 1.9 \Omega$ , $V_{\text{CON}} = 0 \text{ V}$ to $1.36 \text{ V}$		20	
	Time for $V_{\text{OUT}}$ to fall from 3.4 V to 0.4 V (10% or 0.7 V) $V_{\text{IN}} = 4.2 \text{ V}$ , $R_{\text{LOAD}} = 1.9 \Omega$ , $V_{\text{CON}} = 1.36 \text{ V}$ to $0.16 \text{ V}$		20	
$t_{\text{Bypass}}$	Time for $V_{\text{OUT}}$ to rise from 0 V to PVIN after BP LOW-to-HIGH transition (90%) $V_{\text{CON}} = 0 \text{ V}$ , $I_{\text{OUT}} \leq 1 \text{ mA}$		20	$\mu\text{s}$
$t_{\text{Bypass, ON}}$	Bypass turnon time. Time for $V_{\text{OUT}}$ to rise from 0 V to PVIN after EN LOW-to-HIGH transition (90% or 3.24) EN = $V_{\text{IN}} = 3.8 \text{ V}$ , $I_{\text{OUT}} \leq 1 \text{ mA}$		50	$\mu\text{s}$

### 6.8 Typical Characteristics

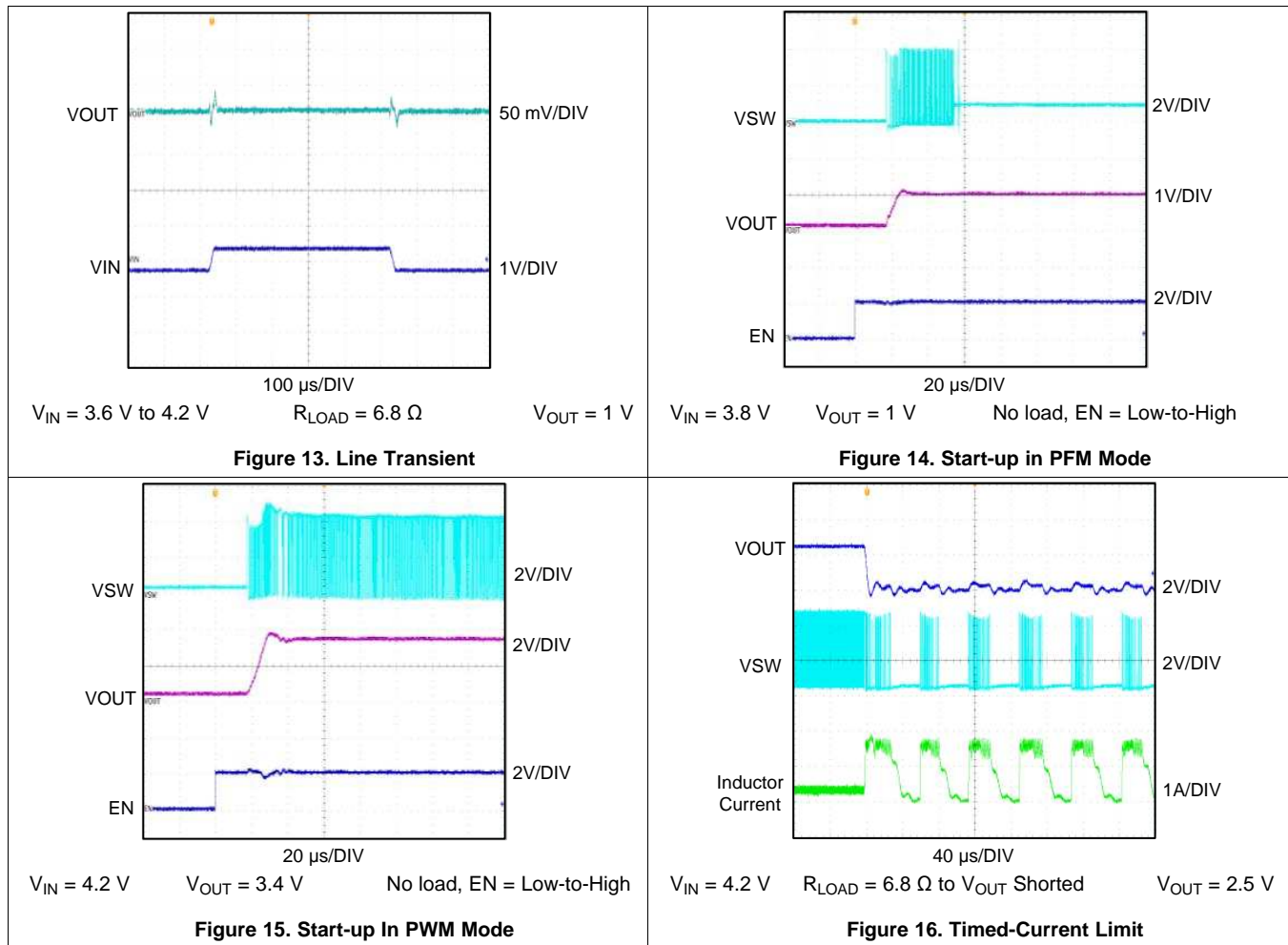




Typical Characteristics (continued)



**Typical Characteristics (continued)**



## 7 Detailed Description

### 7.1 Overview

The LM3243 is a high-efficiency step-down DC-DC converter optimized to power the RF power amplifier (PA) in cell phones, portable communication devices, or battery-powered RF devices with a single Li-Ion battery. It operates in fixed-frequency pulse width modulation (PWM) mode for 2G transmissions (with MODE = LOW), automatic mode transition between PFM and PWM mode for 3G/4G RF PA operation (with MODE = HIGH), forced bypass mode (with BP = HIGH), or in shutdown mode (with EN = LOW).

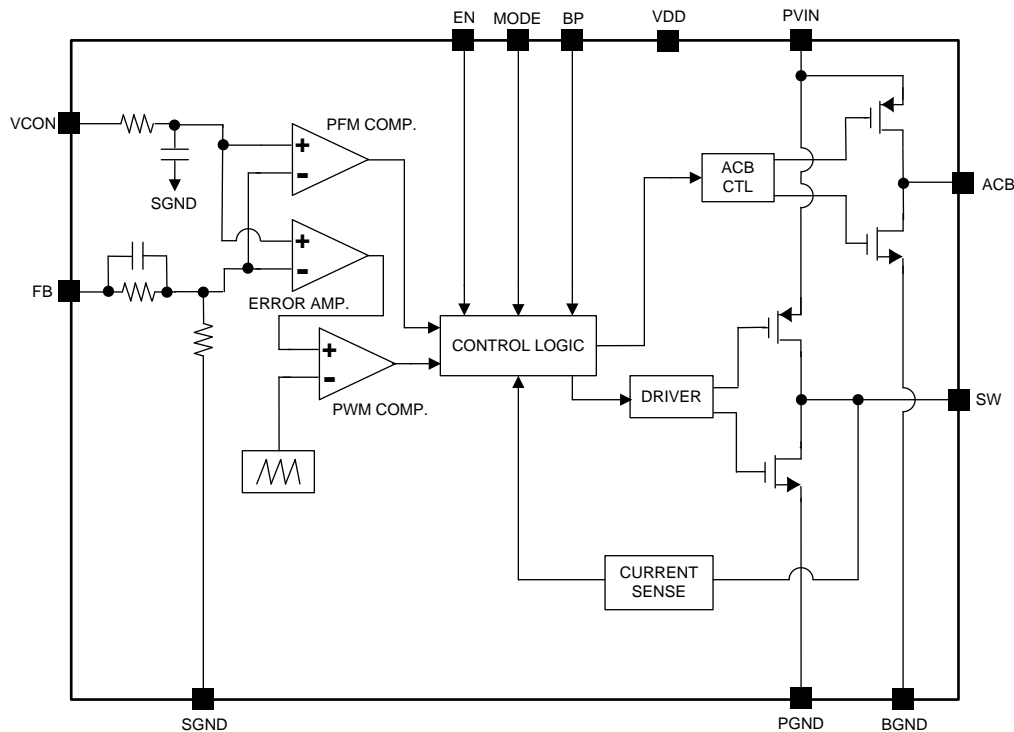
The fixed-frequency PWM mode provides high efficiency and very low output voltage ripple. In PFM mode, the converter operates with reduced switching frequencies and lower supply current to maintain high efficiencies. The forced bypass mode allows the user to drive the output directly from the input supply through a bypass FET. The shutdown mode turns the LM3243 off and reduces current consumption to 0.02  $\mu$ A (typical).

In PWM and PFM modes of operation, the output voltage of the LM3243 can be dynamically programmed from 0.4 V to 3.6 V (typical) by adjusting the voltage on VCON. Current overload protection and thermal overload protection are also provided.

The LM3243 was engineered with Active Current assist and analog Bypass (ACB). This unique feature allows the converter to support maximum load currents of 2.5 A (minimum) while keeping a small footprint inductor and meeting all of the transient behaviors required for operation of a multi-mode RF Power Amplifier. The ACB circuit provides an additional current path when the load current exceeds 1.4 A (typical) or as the switcher approaches dropout. Similarly, the ACB circuit allows the converter to respond with faster VCON output voltage transition times by providing extra output current on rising and falling output edges. The ACB circuit also performs the function of analog bypass. Depending upon the input voltage, output voltage and load current, the ACB circuit automatically and seamlessly transitions the converter into analog bypass while maintaining output voltage regulation and low output voltage ripple. Full bypass (100% duty cycle operation) will occur if the total dropout resistance in bypass mode ( $R_{tot\_drop} = 45 \text{ m}\Omega$ ) is insufficient to regulate the output voltage.

The LM3243 device's 16-pin DSBGA package is the best solution for space-constrained applications such as cell phones and other hand-held devices. The high switching frequency, 2.7 MHz (typical) in PWM mode, reduces the size of input capacitors, output capacitors and of the inductor. Use of a DSBGA package is best suited for opaque case applications and requires special design considerations for implementation. (Refer to [DSBGA Package Assembly and Use](#).) Because the LM3243 does not implement UVLO, the system controller should set EN = LOW during power-up and UVLO conditions. (Refer to [Shutdown Mode](#)).

## 7.2 Functional Block Diagram



## 7.3 Feature Description

### 7.3.1 ACB

The 3GPP time mask requirement for 2G requires high current to be sourced by the LM3243. These high currents are required for a small time during transients or under a heavy load. Over-rating the switching inductor for these higher currents would increase the solution size and will not be an optimum solution. Thus, to allow an optimal inductor size for such a load, an alternate current path is provided from the input supply through the ACB pin. Once the switcher current limit  $I_{LIM,PFET,SteadyState}$  is reached, the ACB circuit starts providing the additional current required to support the load. The ACB circuit also minimizes the dropout voltage by having the analog bypass FET in parallel with  $V_{OUT}$ . The LM3243 can provide up to 2.5 A (minimum) of current in bypass mode with a 4-A (maximum) peak current limit.

### 7.3.2 Bypass Operation

The Bypass circuit provides an analog bypass function with very low dropout resistance ( $R_{tot,drop} = 45 \text{ m}\Omega$  typical). When  $BP = \text{LOW}$  the part will be in automatic bypass mode which will automatically determine the amount of bypass needed to maintain voltage regulation. When the input supply voltage to the LM3243 is lowered to a level where the commanded duty cycle is higher than what the converter is capable of providing, the part will go into pulse-skipping mode. The switching frequency will be reduced to maintain a low and well-behaved output voltage ripple. The analog bypass circuit will allow the converter to stay in regulation until full bypass is reached (100% duty cycle operation). The converter comes out of full bypass and back into analog bypass regulation mode with a similar reverse process.

To override the automatic bypass mode, either set  $VCON > (V_{IN})/(2.5)$  (but less than  $V_{IN}$ ) or set  $BP = \text{HIGH}$  for forced bypass function. Forced bypass function is valid for  $2.7 \text{ V} < V_{IN} < 5.5 \text{ V}$ .

## Feature Description (continued)

### 7.3.3 Mode Pin

The MODE pin changes the state of the converter to one of the two allowed modes of operation. Setting the MODE pin HIGH (> 1.2 V) sets the device for automatic transition between pulse frequency modulation (PFM) and PWM mode operation. In this mode, the converter operates in PFM mode to maintain the output voltage regulation at very light loads and transitions into PWM mode at loads exceeding 95 mA (typical). The PWM switching frequency is 2.7 MHz (typical). Setting the MODE pin LOW (< 0.5 V) sets the device for PWM mode operation. The switching operation is in PWM mode only, and the switching frequency is also 2.7 MHz (typical).

### 7.3.4 Dynamic Adjustment Of Output Voltage

The output voltage of the LM3243 can be dynamically adjusted by changing the voltage on the VCON pin. In RF PA applications, peak power is required when the handset is far away from the base station. To maximize the power savings, the LM3243 output should be set just high enough to achieve the desired PA linearity. Hence, during low-power requirements, reduction of supply voltage to the PA can reduce power consumption from the PA, making the operation more efficient and promote longer battery life. Please refer to [Setting The Output Voltage](#) for further details.

### 7.3.5 Internal Synchronous Rectification

The LM3243 uses an internal NFET as a synchronous rectifier to reduce rectifier forward voltage drop, thus increasing efficiency. The reduced forward voltage drop in the internal NFET synchronous rectifier significantly improves efficiency for low output voltage operation. The NFET is designed to conduct through its intrinsic body diode during the transient intervals, eliminating the need of an external diode.

### 7.3.6 Current Limit

The LM3243 current limit feature protects the converter during current overload conditions. Both SW and ACB pins have positive and negative current limits. The positive and negative current limits bound the SW and ACB currents in both directions. The SW pin has two positive current limits. The  $I_{LIM,PFET,SteadyState}$  current limit triggers the ACB circuit. Once the peak inductor current exceeds  $I_{LIM,PFET,SteadyState}$ , the ACB circuit starts assisting the switcher and provides just enough current to keep the inductor current from exceeding  $I_{LIM,PFET,SteadyState}$  allowing the switcher to operate at maximum efficiency. Transiently a second current limit  $I_{LIM,PFET,Transient}$  of 1.9 A (typical) or 2.1 A (maximum) limits the maximum peak inductor current possible. The output voltage will fall out of regulation only after both SW and ACB output pin currents reach their respective current limits of  $I_{LIM,PFET,Transient}$  and  $I_{LIM,P-ACB}$ .

### 7.3.7 Timed Current Limit

If the load or output short circuit pulls the output voltage to 0.3 V or lower and the peak inductor current sustains  $I_{LIM,PFET,Transient}$  more than 10  $\mu$ s, the LM3243 switches to a timed current limit mode. In this mode, the internal PFET switch is turned off. After approximately 30  $\mu$ s, the device will return to the normal operation.

### 7.3.8 Thermal Overload Protection

The LM3243 device has a thermal overload protection that protects itself from short-term misuse and overload conditions. If the junction temperature exceeds 150°C, the LM3243 shuts down. Normal operation resumes after the temperature drops below 130°C. Prolonged operation in thermal overload condition may damage the device and is therefore not recommended.

## 7.4 Device Functional Modes

### 7.4.1 PWM Operation

When the LM3243 operates in PWM mode, the switching frequency is constant, and the switcher regulates the output voltage by changing the energy-per-cycle to support the load required. During the first portion of each switching cycle, the control block in the LM3243 turns on the internal PFET switch. This allows current to flow from the input through the inductor and to the output filter capacitor and load. The inductor limits the current to a ramp with a slope of  $(V_{IN} - V_{OUT})/L$ , by storing energy in its magnetic field.

## Device Functional Modes (continued)

During the second portion of each cycle, the control block turns the PFET switch off, blocking current flow from the input, and then turns the NFET synchronous rectifier on. The inductor draws current from ground through the NFET and to the output filter capacitor and load, which ramps the inductor current down with a slope of  $-V_{OUT}/L$ . The output filter capacitor stores charge when the inductor current is greater than the load current and releases it when the inductor current is less than the load current, smoothing the voltage across the load.

At the next rising edge of the clock, the cycle repeats. An increase of load pulls the output voltage down, increasing the error signal. As the error signal increases, the peak inductor current becomes higher, thus increasing the average inductor current. The output voltage is therefore regulated by modulating the PFET switch on-time to control the average current sent to the load. The circuit generates a duty-cycle modulated rectangular signal that is averaged using a low pass filter formed by the inductor and output capacitor. The output voltage is equal to the average of the duty-cycle modulated rectangular signal.

### 7.4.2 PFM Mode

With  $MODE = HIGH$ , the LM3243 automatically transitions to from PWM into PFM operation if the average inductor current is less than 75 mA (typical) and  $V_{IN} - V_{OUT} > 0.6$  V. The switcher regulates the fixed output voltage by transferring a fixed amount of energy during each cycle and modulating the frequency to control the total power delivered to the output. The converter switches only as needed to support the demand of the load current, therefore maximizing efficiency. If the load current should increase during PFM mode to more than 95 mA (typical), the part will automatically transition into constant frequency PWM mode. A 20 mA (typical) hysteresis window exists between PFM and PWM transitions.

After a transient event, the part temporarily operates in 2.7 MHz (typical) fixed-frequency PWM mode to quickly charge or discharge the output. This is true for start-up conditions or if  $MODE$  pin is toggled LOW-to-HIGH. Once the output reaches its target output voltage, and the load is less than 75 mA (typical), then the part will seamlessly transition into PFM mode (assuming it is not in forced bypass or auto bypass condition).

### 7.4.3 Mode Selection

Table 1 shows the LM3243 parameters for the given modes (PWM or PFM/PWM).

**Table 1. Parameters Under Different Modes**

PARAMETER/MODE	PWM	PFM/PWM
MODE pin	LOW	HIGH
BP pin	LOW	LOW
Frequency at loads = 75 mA (typical)	2.7 MHz (typical)	Variable
Frequency at loads = 95 mA (typical)	2.7 MHz (typical)	2.7 MHz (typical)
$V_{OUT}$	$2.5 \times V_{CON}$	$2.5 \times V_{CON}$
Maximum load steady state	2.5 A (min.)	75 mA (minimum in PFM) or 2.5 A (minimum in PWM)

### 7.4.4 Shutdown Mode

To shut down the LM3243 pull the EN pin LOW ( $< 0.5$  V). In shutdown mode, the current consumption is 0.02  $\mu$ A (typical) and the PFET switch, NFET synchronous rectifier, reference voltage source, control and bias circuit are turned OFF. To enable LM3243 pull EN HIGH ( $> 1.2$  V), and the mode of operation will be dependent on the voltage applied to the MODE pin.

Since the LM3243 does not feature a undervoltage lock-out (UVLO) circuit, the EN pin should be set LOW to turn off the LM3243 during power up and during UVLO conditions. For cell-phone applications, the system controller determines the power supply sequence; thus, it is up to the system controller to ensure proper sequencing by using all of the available pins and functions properly.



## 8 Application and Implementation

### NOTE

Information in the following applications sections is not part of the TI component specification, and TI does not warrant its accuracy or completeness. TI's customers are responsible for determining suitability of components for their purposes. Customers should validate and test their design implementation to confirm system functionality.

### 8.1 Application Information

The LM3243 DC-DC converter steps down an input voltage from 2.7 V to 5.5 V to a dynamically adjustable output voltage of 0.4 V to 3.6 V.

### 8.2 Typical Application

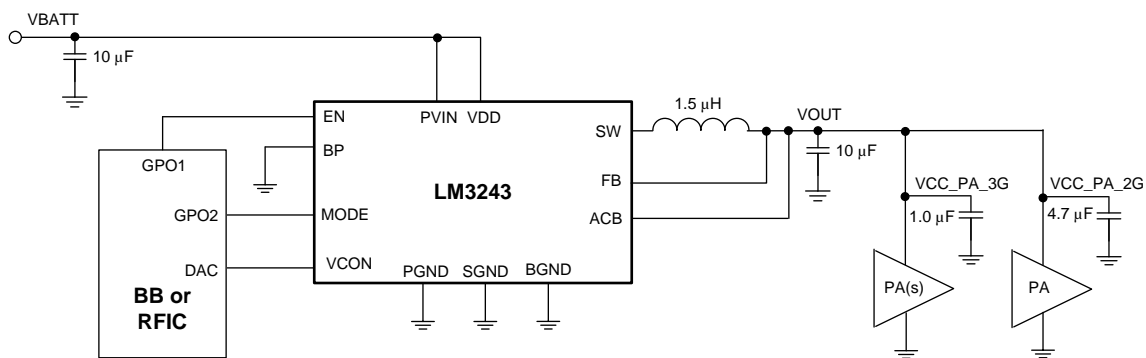


Figure 17. LM3243 Typical Application

#### 8.2.1 Design Requirements

For typical step-down converter applications, use the parameters listed in [Table 2](#).

Table 2. Design Parameters

DESIGN PARAMETER	EXAMPLE VALUE
Input voltage	2.7 V to 5.5 V
Minimum output voltage	0.4 V to 3.6 V
Output current range	0 to 2.5 A

#### 8.2.2 Detailed Design Procedure

##### 8.2.2.1 Inductor Selection

A 1.5 µH inductor is needed for optimum performance and functionality of the LM3243. In the case of 2G transmission current bursts, the effective overall RMS current requirements are reduced. Therefore, please consult with the inductor manufacturers to determine if some of their smaller components will meet your application needs even though the classical inductor specification does not appear to meet the LM3243 RMS current specifications.

LM3243 automatically manages the inductor peak and RMS (or steady current peak) current through the SW pin. The SW pin has two positive current limits. The first is the 1.45 A typical (or 1.65 A maximum.) over-limit current protection. It sets the upper steady-state inductor peak current (as detailed in the Electrical Characteristics Table -  $I_{LIM,PFET,SteadyState}$ ). It is the dominant factor limiting the inductor's  $I_{SAT}$  requirement. The second is a over-limit current protection. It limits the maximum peak inductor current during large signal transients (that is, < 20 µs) to 1.9 A typical (or 2.1 A maximum). A minimum inductance of 0.3 µH should be maintained at the second current limit.

The ACB circuit automatically adjusts its output current to keep the steady-state inductor current below the steady-state peak current limit. Thus, the inductor RMS current will effectively always be less than the  $I_{LIM,PFET,SteadyState}$  during the transmit burst. In addition, as in the case with 2G where the output current comes in bursts, the effective overall RMS current would be much lower.

For good efficiency, the inductor's resistance should be less than 0.2  $\Omega$ ; low DCR inductors (< 0.2  $\Omega$ ) are recommended. [Table 3](#) suggests some inductors and suppliers.

**Table 3. Suggested Inductors and Their Suppliers**

MODEL	VENDOR	SIZE (mm)	$I_{SAT} -30\%$	DCR
DFE201610C-1R5M (1285AS-H-1R5M)	TOKO	2 × 1.6 × 1	2.2 A	120 m $\Omega$
PSD20161T-1R5MS	CYNTEC	2 × 1.6 × 1	1.6 A	143 m $\Omega$
TFM201610-1R5M	TDK	2 × 1.6 mm × 1	2.2 A	140 m $\Omega$

### 8.2.2.2 Capacitor Selection

The LM3243 is designed to use ceramic capacitors for its input and output filters. Use a 10- $\mu$ F capacitor for the input and approximately 10- $\mu$ F total output capacitance. Capacitor types such as X5R, X7R are recommended for both filters. These provide an optimal balance between small size, cost, reliability and performance for cell phones and similar applications. [Table 4](#) lists suggested part numbers and suppliers. DC bias characteristics of the capacitors must be considered while selecting the voltage rating and case size of the capacitor. Smaller case sizes for the output capacitor mitigate piezo-electric vibrations of the capacitor when the output voltage is stepped up and down at fast rates. However, they have a bigger percentage drop in value with DC bias. For even smaller total solution size, 0402 case size capacitors are recommended for filtering. Use of multiple 2.2- $\mu$ F or 1- $\mu$ F capacitors can also be considered. For RF Power Amplifier applications, split the output capacitor between DC-DC converter and RF Power Amplifiers: 10  $\mu$ F ( $C_{OUT1}$ ) + 4.7  $\mu$ F ( $C_{OUT2}$ ) + 3 × 1  $\mu$ F ( $C_{OUT3}$ ) is recommended. The optimum capacitance split is application dependent, and for stability the actual total capacitance (taking into account effects of capacitor DC bias, temperature de-rating, aging and other capacitor tolerances) should target 10  $\mu$ F with 2.5-V DC bias (measured at 0.5  $V_{RMS}$ ). Place all the output capacitors very close to the respective device. A high-frequency capacitor (3300 pF) is highly recommended to be placed next to  $C_{OUT1}$ .

**Table 4. Suggested Capacitors And Their Suppliers**

CAPACITANCE	MODEL	SIZE (W × L) (mm)	VENDOR
10 $\mu$ F	GRM185R60J106M	1.6 × 0.8	Murata
10 $\mu$ F	CL05A106MQ5NUN	1 × 0.5	Samsung
4.7 $\mu$ F	CL05A475MQ5NRN	1 × 0.5	Samsung
1.0 $\mu$ F	CL03A105MQ3CSN	0.6 × 0.3	Samsung
3300 pF	GRM022R60J332K	0.4 × 0.2	Murata

### 8.2.2.3 Setting The Output Voltage

#### 8.2.2.3.1 DAC Control

An analog voltage to the VCON pin can dynamically program the output voltage from 0.4 V (typical) to 3.6 V (typical) in both PFM and PWM modes of operation, without the need for external resistors. The output voltage is governed by [Table 5](#).

**Table 5. Output Voltage Selection**

VCON (V)	$V_{OUT}$ (V)
VCON = 0.16V to 1.44V	2.5 × VCON



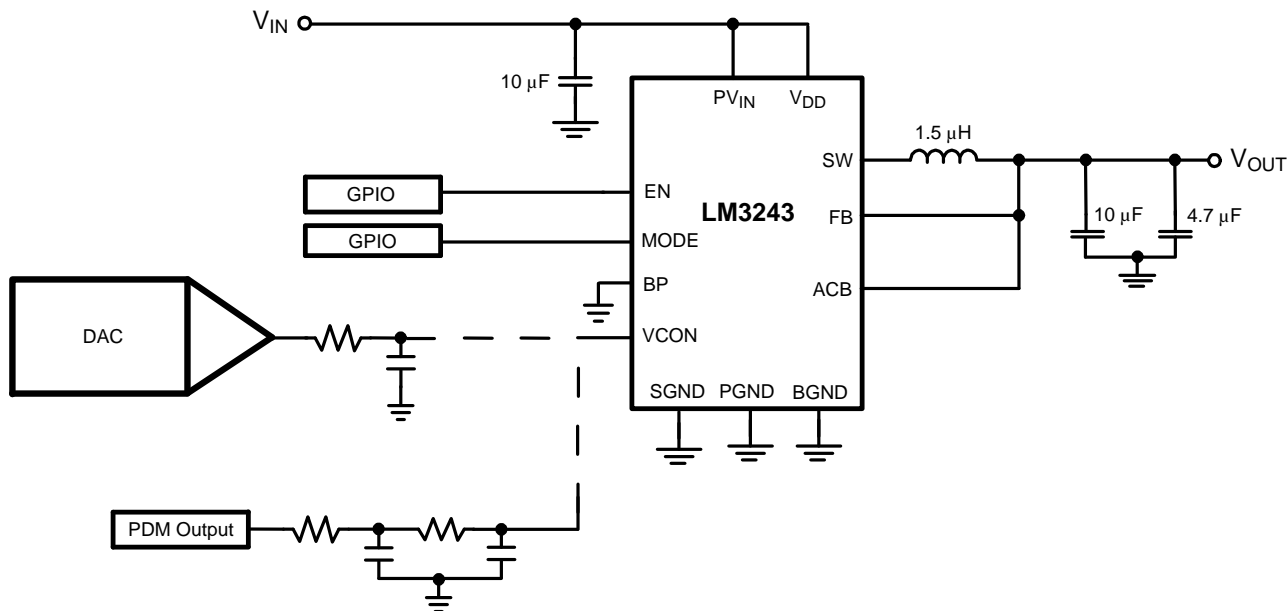


Figure 18. Dynamic Adjustment of Output Voltage With DAC or PDM

### 8.2.2.3.2 PDM-Based VCON Signal

Figure 18 shows the application circuit that enables the LM3243 to dynamically adjust the output voltage using a GPIO pin from the system controller. Figure 19 shows the waveforms when adjusted dynamically. The PDM signal of the GPIO is filtered using a low-pass filter and fed to the VCON pin. As the bitstream of the PDM signal changes, the voltage on the VCON pin changes. Thus, the GPIO pin can be used to dynamically adjust the output voltage. The double low-pass filter reduces the ripple at VCON to avoid any excessive VCON-induced ripple at the output voltage.

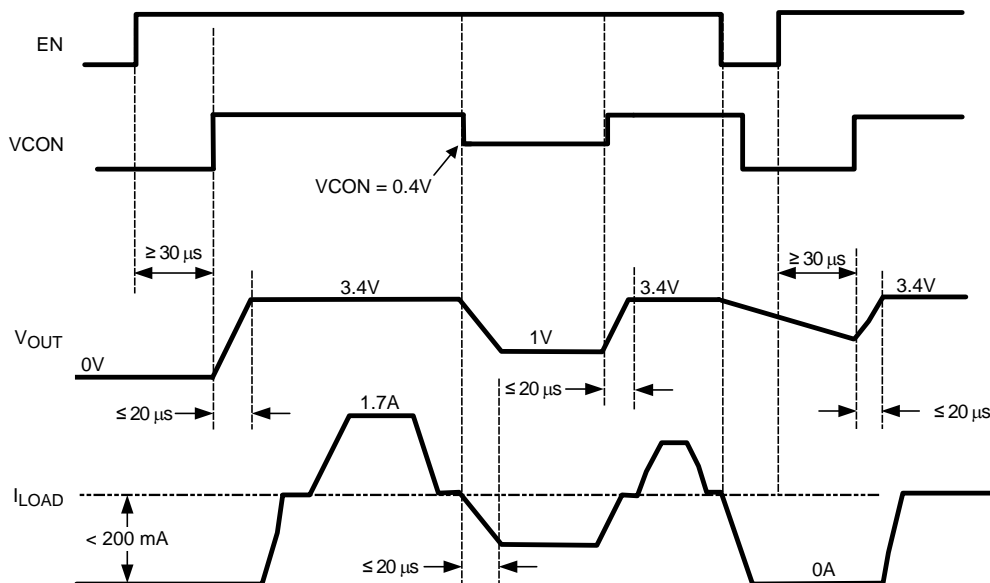
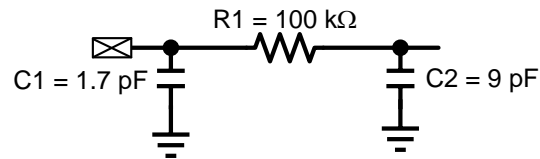


Figure 19. Dynamic Adjustment of Output Voltage With GPIO

### 8.2.2.3.3 VCON Pin

Figure 20 shows the equivalent CRC circuit for the VCON pin. This circuit is internal to the part and should be taken into consideration when driving this pin.

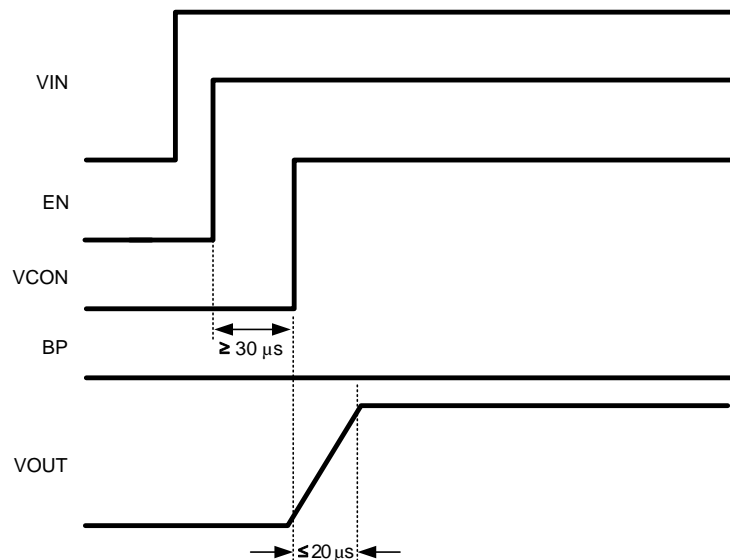

**Figure 20. VCON Pin Equivalent CRC Circuit**

#### 8.2.2.4 EN Input Control

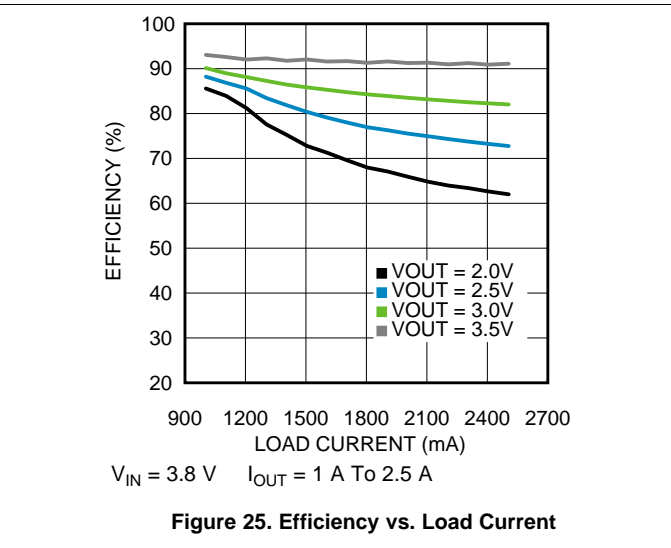
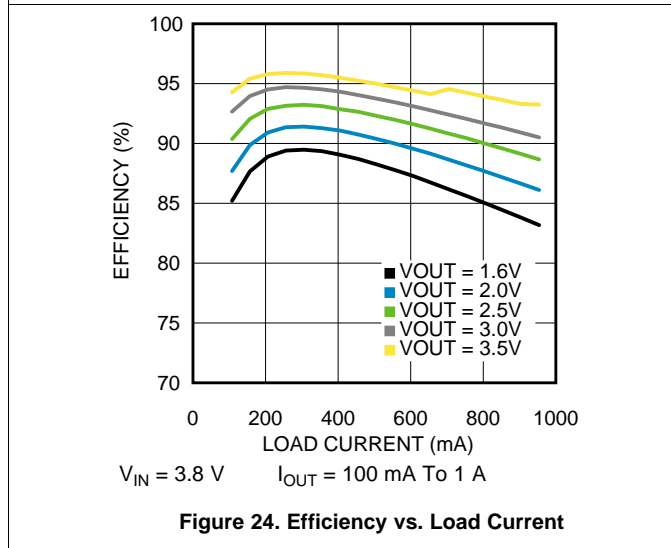
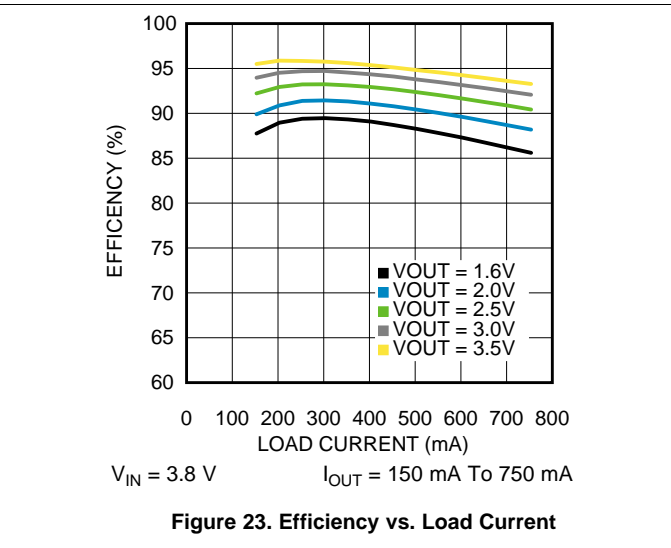
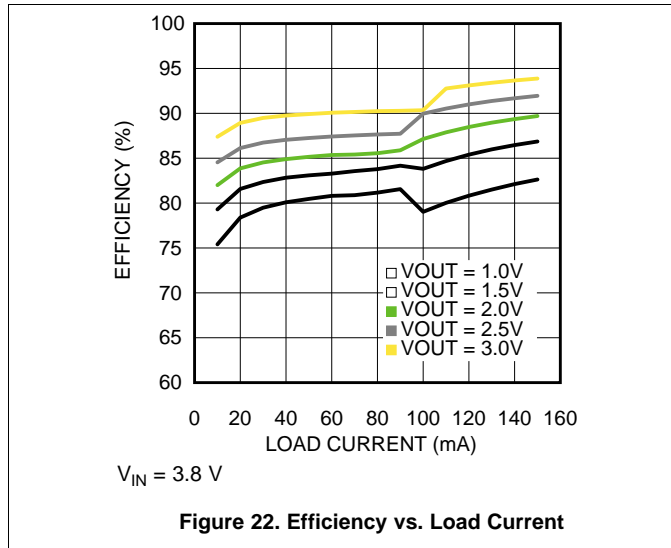
Use the system controller to drive the EN HIGH or LOW with a comparator, Schmitt trigger or logic gate. Set EN = HIGH (> 1.2 V) for normal operation and LOW (< 0.5 V) for shutdown mode to reduce current consumption to 0.02- $\mu$ A (typical) current.

#### 8.2.2.5 Start-Up

The waveform [Figure 21](#) in shows the start-up condition. First,  $V_{IN}$  should take on a value between 2.7 V and 5.5 V. Next, EN should go HIGH (> 1.2 V). Finally, VCON should be set to a value that corresponds to the required output voltage ( $V_{OUT} = V_{CON} \times 2.5$ ).  $V_{OUT}$  will reach its steady-state value in less than 50  $\mu$ s. To optimize the start-up time and behavior of the output voltage, the LM3243 will always start up in PWM mode (even when MODE = HIGH and output load current  $\leq 75$  mA), then seamlessly transition into PFM mode.


**Figure 21. Start-Up Sequence and Conditions**

### 8.2.3 Application Curves



## 9 Power Supply Recommendations

The LM3243 device is designed to operate from an input voltage supply range between 2.7 V and 5.5 V. This input supply should be well-regulated and able to withstand maximum input current and maintain stable voltage without voltage drop even at load transition condition.

## 10 Layout

### 10.1 Layout Guidelines

PC board layout is critical to successfully designing a DC-DC converter into a product. A properly planned board layout optimizes the performance of a DC-DC converter and minimizes effects on surrounding circuitry while also addressing manufacturing issues that can have adverse impacts on board quality and final product yield.

#### 10.1.1 PCB Considerations

Poor board layout can disrupt the performance of a DC-DC converter and surrounding circuitry by contributing to EMI, ground bounce, and resistive voltage loss in the traces. Erroneous signals could be sent to the DC-DC converter device, resulting in poor regulation or instability. Poor layout can also result in re-flow problems leading to poor solder joints between the DSBGA package and board pads. Poor solder joints can result in erratic or degraded performance of the converter.

##### 10.1.1.1 Energy Efficiency

Minimize resistive losses by using wide traces between the power components and doubling up traces on multiple layers when possible

##### 10.1.1.2 EMI

By its very nature, any switching converter generates electrical noise. The circuit board designer's challenge is to minimize, contain, or attenuate such switcher-generated noise. A high-frequency switching converter, such as the LM3243, switches Ampere level currents within nanoseconds, and the traces interconnecting the associated components can act as radiating antennas. The following guidelines are offered to help to ensure that EMI is maintained within tolerable levels.

To help minimize radiated noise:

- Place the LM3243 switcher, its input capacitor, and output filter inductor and capacitor close together, and make the interconnecting traces as short as possible.
- Arrange the components so that the switching current loops curl in the same direction. During the first half of each cycle, current flows from the input filter capacitor, through the internal PFET of the LM3243 and the inductor, to the output filter capacitor, then back through ground, forming a current loop. In the second half of each cycle, current is pulled up from ground, through the internal synchronous NFET of the LM3243 by the inductor, to the output filter capacitor and then back through ground, forming a second current loop. Routing these loops so the current curls in the same direction prevents magnetic field reversal between the two half-cycles and reduces radiated noise.
- Make the current loop area(s) as small as possible. Interleave doubled traces with ground planes or return paths, where possible, to further minimize trace inductances.

To help minimize conducted noise in the ground-plane:

- Reduce the amount of switching current that circulates through the ground plane: Connect the ground bumps of the LM3243 and its input filter capacitor together using generous component-side copper fill as a pseudo-ground plane. Then connect this copper fill to the system ground-plane (if one is used) by multiple vias located at the input filter capacitor ground terminal. The multiple vias help to minimize ground bounce at the LM3243 by giving it a low-impedance ground connection.

To help minimize coupling to the DC-DC converter voltage feedback trace:

- Route noise sensitive traces, such as the voltage feedback path (FB), as directly as possible from the switcher FB pad to the VOUT pad of the output capacitor, but keep it away from noisy traces between the power components.

To help minimize noise coupled back into power supplies:

- **Use a star connection to route from the VBATT power input to Switcher PVIN and to VBATT\_PA.**
- Route traces for minimum inductance between supply pins and bypass capacitor(s).
- Route traces to minimize inductance between bypass capacitors and the ground plane.
- Maximize power supply trace inductance(s) to reduce coupling among function blocks.
- Inserting a ferrite bead in-line with power supply traces can offer a favorable tradeoff in terms of board area, by attenuating noise that might otherwise propagate through the supply connections, allowing the use of

## Layout Guidelines (continued)

fewer bypass capacitors.

**VBATT Star Connection:** It is critically important to use a 'Star' connection from VBATT supply to LM3243 PVIN and from VBATT to PA modules as implementing a 'daisy chain' supply connection may add noise to the PA output.

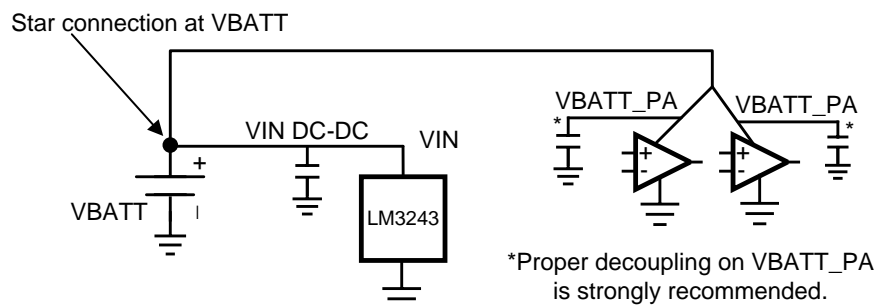


Figure 26. VBATT Star Connection on VIN And VBATT\_PA

### 10.1.2 Manufacturing Considerations

The LM3243 package employs a 16-pin (4 × 4) array of 0.24-mm solder balls, with a 0.4-mm pad pitch. A few simple design rules will go a long way to ensuring a good layout.

- Pad size should be  $0.225 \pm 0.02$  mm. Solder mask opening should be  $0.325 \pm 0.02$  mm.
- As a thermal relief, connect to each pad with 9 mil wide, 6 mil long traces and incrementally increase each trace to its optimal width. Symmetry is important to ensure the solder bumps re-flow evenly. Refer to TI Application Note AN-1112 *DSBGA Wafer Level Chip Scale Package* (SNVA009).

## 10.2 Layout Example

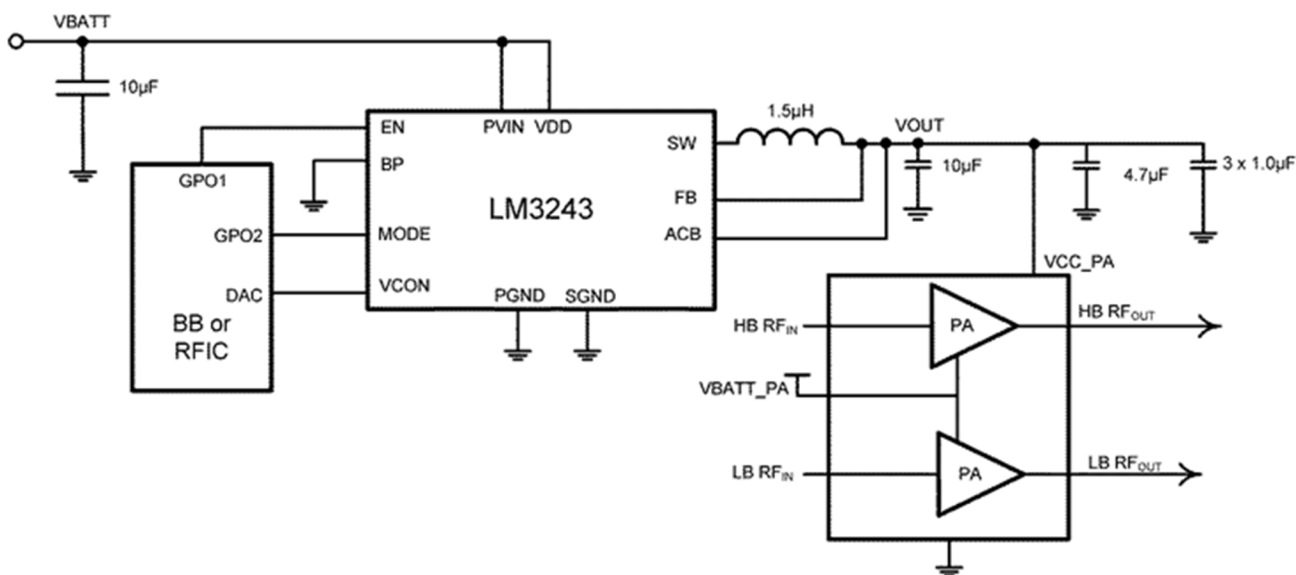


Figure 27. Simplified LM3243 RF Evaluation Board Schematic

Layout Example (continued)

10.2.1 LM3243 RF Evaluation Board

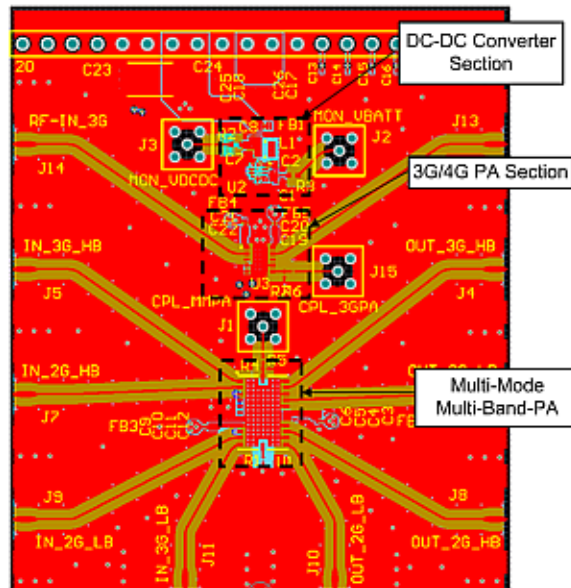


Figure 28. Top View of RF Evaluation Board With PAs

10.2.2 DC-DC Converter Section

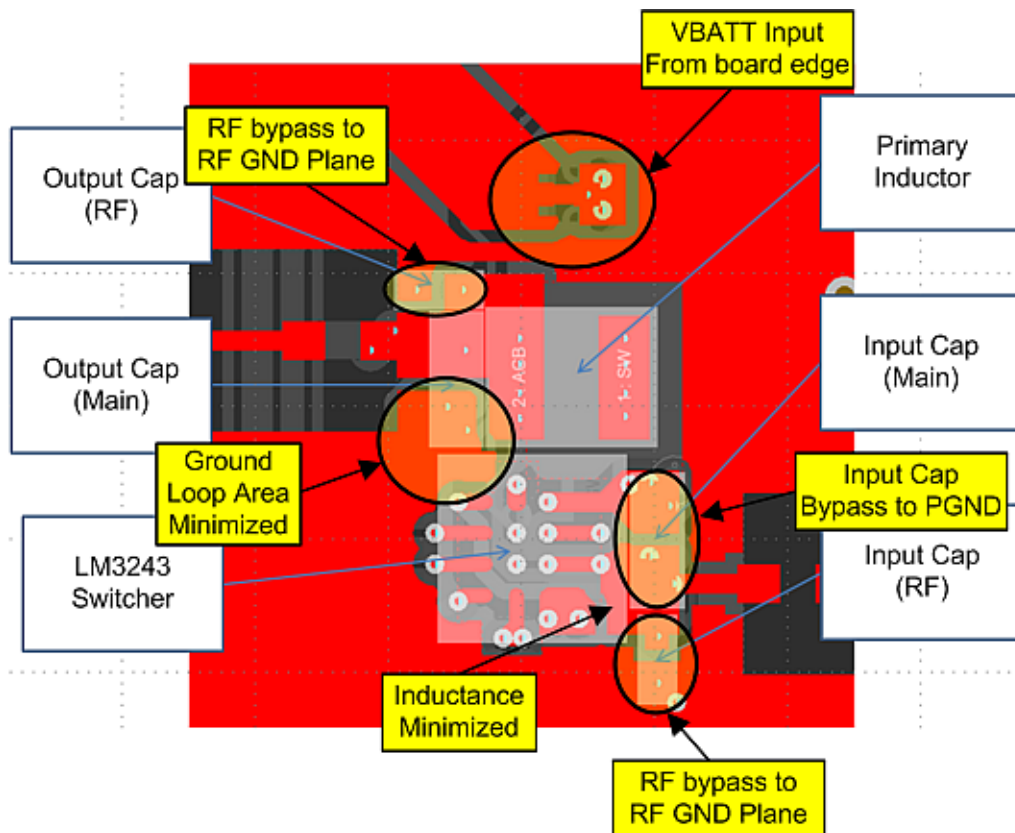


Figure 29. Top Layer

Layout Example (continued)

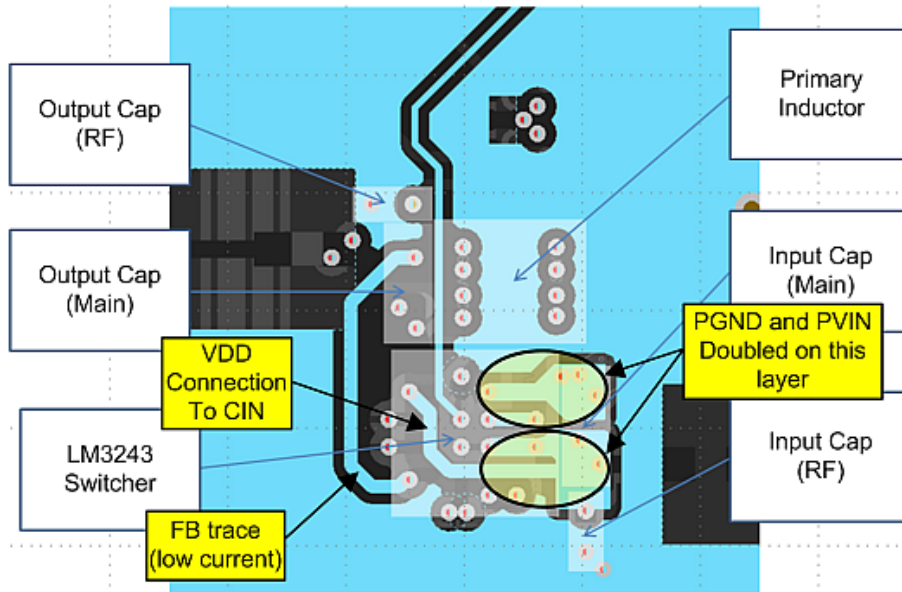


Figure 30. Board Layer 2 - FB, VDD, Additional Routing For PGND, PVIN

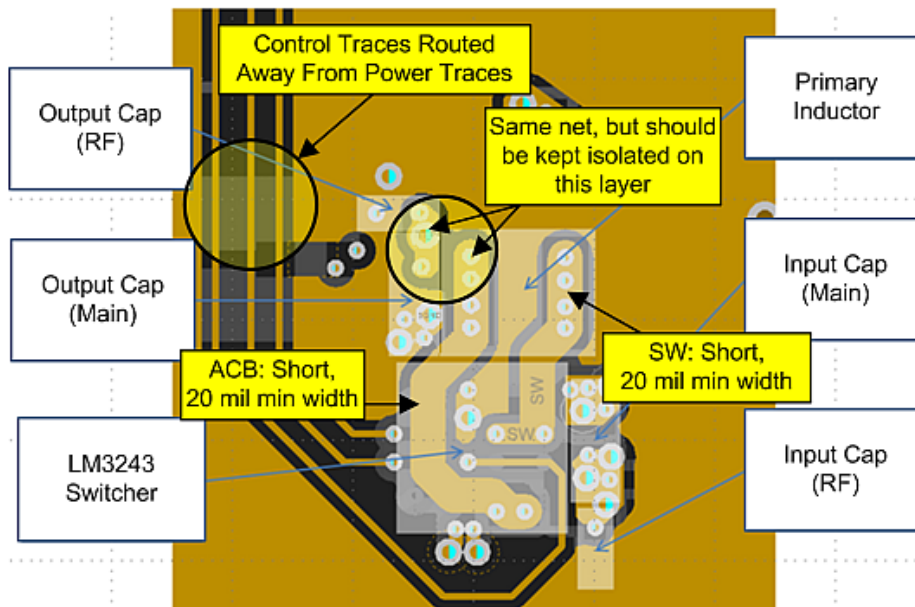


Figure 31. Board Layer 2 - Switcher Detail

Layout Example (continued)

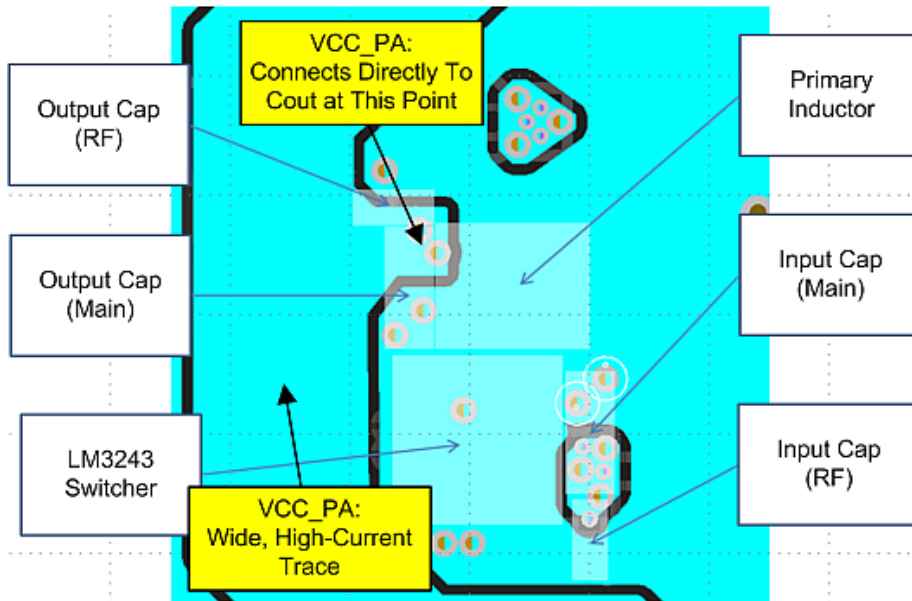


Figure 32. Board Layer 4 - GND Plane VCC\_PA

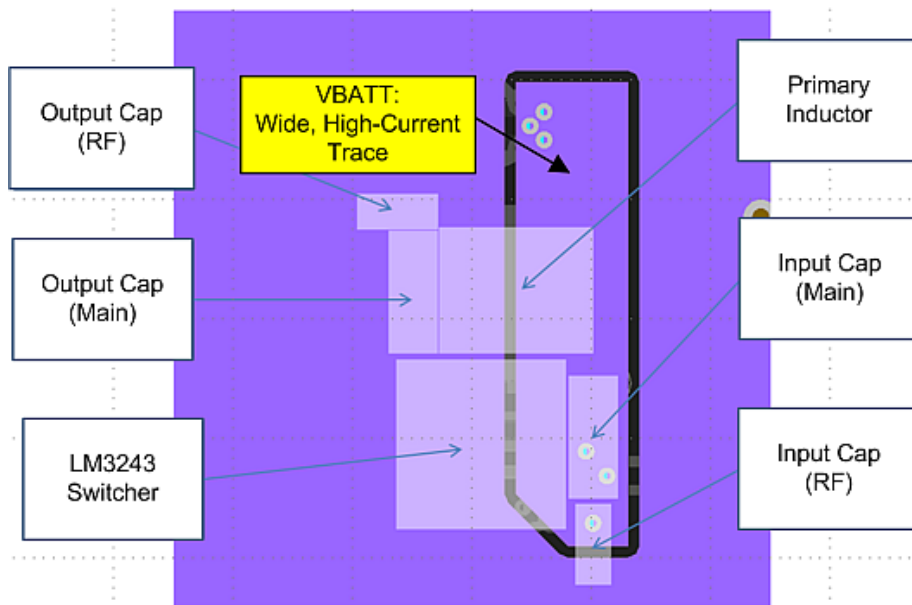


Figure 33. Board Layer 5 - VBATT\_SW Connection



## Layout Example (continued)

### 10.2.3 VBATT Star Supply Connection

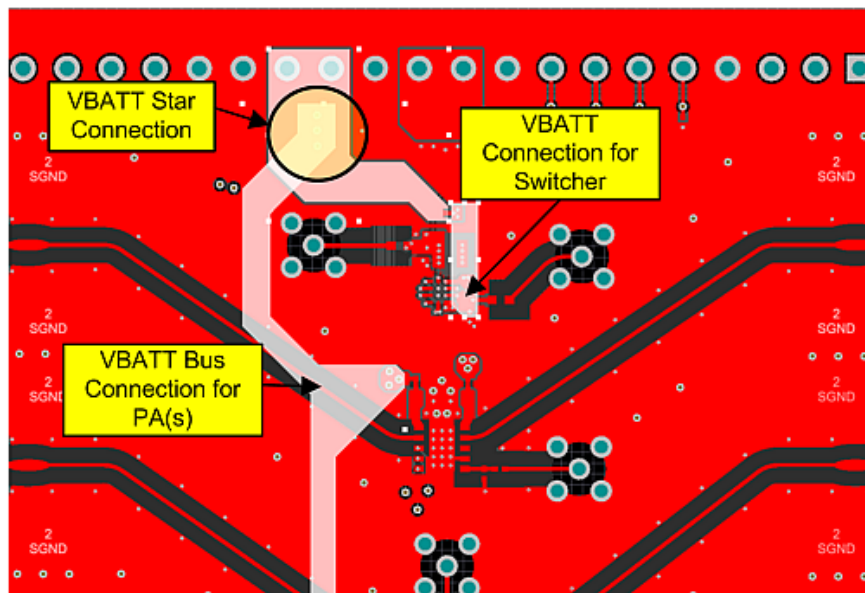


Figure 34. Multiple Board Layers - VBATT Supply Star Connection

## 10.3 DSBGA Package Assembly and Use

Use of the DSBGA package requires specialized board layout, precision mounting and careful re-flow techniques, as detailed in TI Application Note AN-1112 *DSBGA Wafer Level Chip Scale Package (SNVA009)*. Please refer to the section *Surface Mount Assembly Considerations*. For best results in assembly, local alignment fiducials on the PC board should be used to facilitate placement of the device.

The pad style used with DSBGA package must be the NSMD (non-solder mask defined) type. This means that the solder-mask opening is larger than the pad size. This prevents a lip that would otherwise form if the solder-mask and pad overlap, which would hold the device off the surface of the board and interfere with mounting. See [SNVA009](#) for specific instructions how to do this.

The 16-pin package used for LM3243 has 265 micron solder balls and requires 0.225-mm pads for mounting the circuit board. The trace to each pad should enter the pad with a 90° entry angle to prevent debris from being caught in deep corners. Initially, the trace to each pad should be 5.6 mil wide, for a section approximately 5 mil long, as a thermal relief. Then each trace should neck up or down to its optimal width. An important criterion is symmetry to insure the solder bumps on the LM3243 re-flow evenly and that the device solders level to the board. In particular, special attention must be paid to the pads for bumps A1, A3, B1, and B3 since PGND and PVIN are typically connected to large copper planes, inadequate thermal reliefs can result in inadequate re-flow of these bumps.

The DSBGA package is optimized for the smallest possible size in applications with red-opaque or infrared-opaque cases. Because the DSBGA package lacks the plastic encapsulation characteristic of larger devices, it is vulnerable to light. Backside metallization and/or epoxy coating, along with front-side shading by the printed circuit board, reduce this sensitivity. However, the package has exposed die edges that are sensitive to light in the read and infrared range shining on the package's exposed die edges.

## 11 Device and Documentation Support

### 11.1 Device Support

#### 11.1.1 Third-Party Products Disclaimer

TI'S PUBLICATION OF INFORMATION REGARDING THIRD-PARTY PRODUCTS OR SERVICES DOES NOT CONSTITUTE AN ENDORSEMENT REGARDING THE SUITABILITY OF SUCH PRODUCTS OR SERVICES OR A WARRANTY, REPRESENTATION OR ENDORSEMENT OF SUCH PRODUCTS OR SERVICES, EITHER ALONE OR IN COMBINATION WITH ANY TI PRODUCT OR SERVICE.

### 11.2 Documentation Support

#### 11.2.1 Related Documentation

For additional information, see the following:

TI Application Note AN-1112 *DSBGA Wafer Level Chip Scale Package* ([SNVA009](#)).

### 11.3 Community Resources

The following links connect to TI community resources. Linked contents are provided "AS IS" by the respective contributors. They do not constitute TI specifications and do not necessarily reflect TI's views; see TI's [Terms of Use](#).

**TI E2E™ Online Community** *TI's Engineer-to-Engineer (E2E) Community*. Created to foster collaboration among engineers. At [e2e.ti.com](#), you can ask questions, share knowledge, explore ideas and help solve problems with fellow engineers.

**Design Support** *TI's Design Support* Quickly find helpful E2E forums along with design support tools and contact information for technical support.

### 11.4 Trademarks

E2E is a trademark of Texas Instruments.  
All other trademarks are the property of their respective owners.

### 11.5 Electrostatic Discharge Caution



These devices have limited built-in ESD protection. The leads should be shorted together or the device placed in conductive foam during storage or handling to prevent electrostatic damage to the MOS gates.

### 11.6 Glossary

[SLYZ022](#) — *TI Glossary*.

This glossary lists and explains terms, acronyms, and definitions.

## 12 Mechanical, Packaging, and Orderable Information

The following pages include mechanical, packaging, and orderable information. This information is the most current data available for the designated devices. This data is subject to change without notice and revision of this document. For browser-based versions of this data sheet, refer to the left-hand navigation.

**PACKAGING INFORMATION**

Orderable Device	Status (1)	Package Type	Package Drawing	Pins	Package Qty	Eco Plan (2)	Lead finish/ Ball material (6)	MSL Peak Temp (3)	Op Temp (°C)	Device Marking (4/5)	Samples
LM3243TME/NOPB	ACTIVE	DSBGA	YFQ	16	250	RoHS & Green	SNAGCU	Level-1-260C-UNLIM	-30 to 90	S57	<b>Samples</b>
LM3243TMX/NOPB	ACTIVE	DSBGA	YFQ	16	3000	RoHS & Green	SNAGCU	Level-1-260C-UNLIM	-30 to 90	S57	<b>Samples</b>

(1) The marketing status values are defined as follows:

**ACTIVE:** Product device recommended for new designs.

**LIFEBUY:** TI has announced that the device will be discontinued, and a lifetime-buy period is in effect.

**NRND:** Not recommended for new designs. Device is in production to support existing customers, but TI does not recommend using this part in a new design.

**PREVIEW:** Device has been announced but is not in production. Samples may or may not be available.

**OBSOLETE:** TI has discontinued the production of the device.

(2) **RoHS:** TI defines "RoHS" to mean semiconductor products that are compliant with the current EU RoHS requirements for all 10 RoHS substances, including the requirement that RoHS substance do not exceed 0.1% by weight in homogeneous materials. Where designed to be soldered at high temperatures, "RoHS" products are suitable for use in specified lead-free processes. TI may reference these types of products as "Pb-Free".

**RoHS Exempt:** TI defines "RoHS Exempt" to mean products that contain lead but are compliant with EU RoHS pursuant to a specific EU RoHS exemption.

**Green:** TI defines "Green" to mean the content of Chlorine (Cl) and Bromine (Br) based flame retardants meet JS709B low halogen requirements of <=1000ppm threshold. Antimony trioxide based flame retardants must also meet the <=1000ppm threshold requirement.

(3) MSL, Peak Temp. - The Moisture Sensitivity Level rating according to the JEDEC industry standard classifications, and peak solder temperature.

(4) There may be additional marking, which relates to the logo, the lot trace code information, or the environmental category on the device.

(5) Multiple Device Markings will be inside parentheses. Only one Device Marking contained in parentheses and separated by a "~" will appear on a device. If a line is indented then it is a continuation of the previous line and the two combined represent the entire Device Marking for that device.

(6) Lead finish/Ball material - Orderable Devices may have multiple material finish options. Finish options are separated by a vertical ruled line. Lead finish/Ball material values may wrap to two lines if the finish value exceeds the maximum column width.

**Important Information and Disclaimer:**The information provided on this page represents TI's knowledge and belief as of the date that it is provided. TI bases its knowledge and belief on information provided by third parties, and makes no representation or warranty as to the accuracy of such information. Efforts are underway to better integrate information from third parties. TI has taken and continues to take reasonable steps to provide representative and accurate information but may not have conducted destructive testing or chemical analysis on incoming materials and chemicals. TI and TI suppliers consider certain information to be proprietary, and thus CAS numbers and other limited information may not be available for release.

In no event shall TI's liability arising out of such information exceed the total purchase price of the TI part(s) at issue in this document sold by TI to Customer on an annual basis.



**TAPE AND REEL INFORMATION**

**QUADRANT ASSIGNMENTS FOR PIN 1 ORIENTATION IN TAPE**


\*All dimensions are nominal

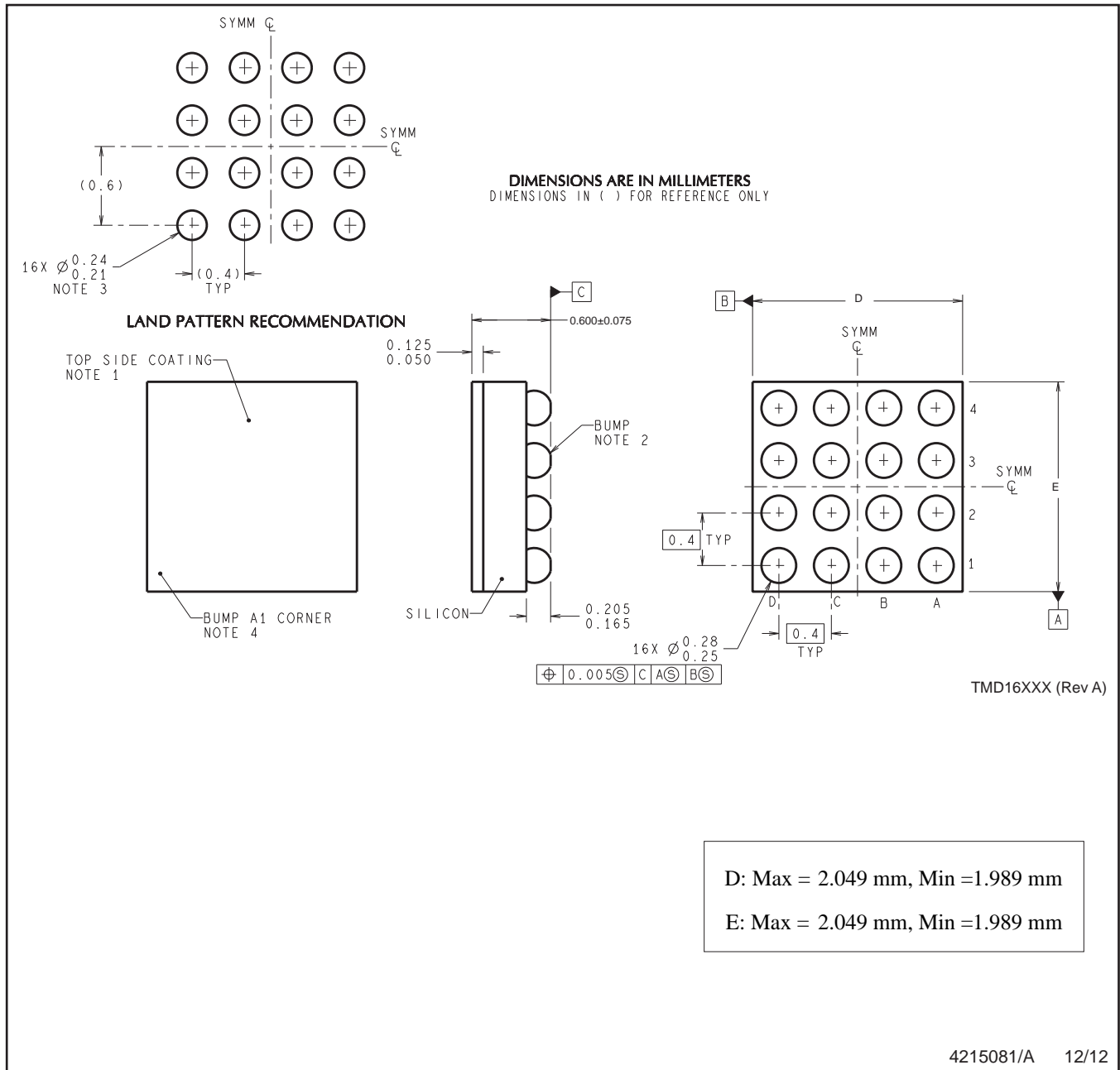
Device	Package Type	Package Drawing	Pins	SPQ	Reel Diameter (mm)	Reel Width W1 (mm)	A0 (mm)	B0 (mm)	K0 (mm)	P1 (mm)	W (mm)	Pin1 Quadrant
LM3243TME/NOPB	DSBGA	YFQ	16	250	178.0	8.4	2.08	2.08	0.76	4.0	8.0	Q1
LM3243TMX/NOPB	DSBGA	YFQ	16	3000	178.0	8.4	2.08	2.08	0.76	4.0	8.0	Q1

**TAPE AND REEL BOX DIMENSIONS**


\*All dimensions are nominal

Device	Package Type	Package Drawing	Pins	SPQ	Length (mm)	Width (mm)	Height (mm)
LM3243TME/NOPB	DSBGA	YFQ	16	250	208.0	191.0	35.0
LM3243TMX/NOPB	DSBGA	YFQ	16	3000	208.0	191.0	35.0

YFQ0016



4215081/A 12/12

NOTES: A. All linear dimensions are in millimeters. Dimensioning and tolerancing per ASME Y14.5M-1994.  
B. This drawing is subject to change without notice.

## IMPORTANT NOTICE AND DISCLAIMER

TI PROVIDES TECHNICAL AND RELIABILITY DATA (INCLUDING DATA SHEETS), DESIGN RESOURCES (INCLUDING REFERENCE DESIGNS), APPLICATION OR OTHER DESIGN ADVICE, WEB TOOLS, SAFETY INFORMATION, AND OTHER RESOURCES "AS IS" AND WITH ALL FAULTS, AND DISCLAIMS ALL WARRANTIES, EXPRESS AND IMPLIED, INCLUDING WITHOUT LIMITATION ANY IMPLIED WARRANTIES OF MERCHANTABILITY, FITNESS FOR A PARTICULAR PURPOSE OR NON-INFRINGEMENT OF THIRD PARTY INTELLECTUAL PROPERTY RIGHTS.

These resources are intended for skilled developers designing with TI products. You are solely responsible for (1) selecting the appropriate TI products for your application, (2) designing, validating and testing your application, and (3) ensuring your application meets applicable standards, and any other safety, security, regulatory or other requirements.

These resources are subject to change without notice. TI grants you permission to use these resources only for development of an application that uses the TI products described in the resource. Other reproduction and display of these resources is prohibited. No license is granted to any other TI intellectual property right or to any third party intellectual property right. TI disclaims responsibility for, and you will fully indemnify TI and its representatives against, any claims, damages, costs, losses, and liabilities arising out of your use of these resources.

TI's products are provided subject to [TI's Terms of Sale](#) or other applicable terms available either on [ti.com](https://www.ti.com) or provided in conjunction with such TI products. TI's provision of these resources does not expand or otherwise alter TI's applicable warranties or warranty disclaimers for TI products.

TI objects to and rejects any additional or different terms you may have proposed.

Mailing Address: Texas Instruments, Post Office Box 655303, Dallas, Texas 75265  
Copyright © 2024, Texas Instruments Incorporated