

# LP8769-Q1 High Frequency Quad Step-Down DC-DC

## 1 Features

- AEC-Q100 Qualified with the following results:
  - Input voltage: 2.8 V to 5.5 V
  - Device temperature grade 1:  $-40^{\circ}\text{C}$  to  $+125^{\circ}\text{C}$  ambient operating temperature range
  - Device HBM ESD classification Level 2
  - Device CDM ESD classification Level C4B
- Functional Safety-Compliant
  - Developed for functional safety applications
  - Documentation available to aid ISO 26262 system design up to ASIL-D
  - Documentation available to aid IEC 61508 system design up to SIL-3
  - Systematic capability up to ASIL-D
  - Hardware integrity up to ASIL-D
  - Windowed voltage and over-current monitors
  - Watchdog with selectable trigger / Q&A mode
  - Level or PWM error signal monitoring (ESM)
  - Thermal monitoring with high temperature warning and thermal shutdown
  - Bit-integrity (CRC) error detection on configuration registers and non-volatile memory
- 4 high-efficiency step-down DC/DC converters:
  - Output voltage: 0.3 V to 3.34 V (0.3 V to 1.9 V for multi-phase outputs)
  - Maximum output current: 5 A per phase, up to 20 A with 4-phase configuration
  - Programmable output voltage slew-rate: 0.5 mV/ $\mu\text{s}$  to 33 mV/ $\mu\text{s}$
  - Switching frequency: 2.2 MHz or 4.4 MHz
- 10 configurable general purpose I/O (GPIO)
- SPMI interface for multi-PMIC synchronization
- Input overvoltage monitor (OVP) and undervoltage lockout (UVLO)

## 2 Applications

- [Advanced driver assistance systems \(ADAS\)](#)
- [Front camera](#)
- [Surround view system ECU](#)
- [Long range radar](#)
- [Sensor fusion](#)
- [Domain controller](#)

## 3 Description

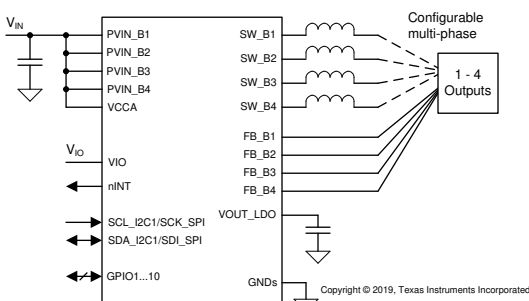
The LP8769x-Q1 device is designed to meet the power management requirements of the latest processors and platforms in various safety-relevant automotive and industrial applications. The device has four step-down DC/DC converter cores, that are configurable for five different phase configurations from one 4-phase output to four 1-phase outputs. The device settings can be changed by I<sup>2</sup>C-compatible serial interface or by a SPI serial interface.

The automatic PFM/PWM (AUTO mode) operation together with the automatic phase adding and phase shedding maximizes efficiency over a wide output-current range. The LP8769x-Q1 device supports remote differential voltage sensing for multiphase outputs to compensate IR drop between the regulator output and the point-of-load (POL) that improves the accuracy of the output voltage. The switching clock can be forced to PWM mode and the phases are interleaved. The switching can be synchronized to an external clock and spread-spectrum mode can be enabled to minimize the disturbances.

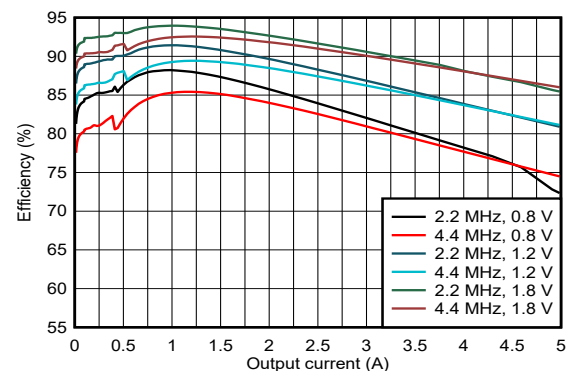
### Device Information<sup>(1)</sup>

PART NUMBER	PACKAGE	BODY SIZE (NOM)
LP8769-Q1	VQFN-HR (32)	5.50 mm × 5.00 mm

(1) For all available packages, see the orderable addendum at the end of the data sheet.



**Simplified Schematic**



**Efficiency vs Output Current (1-phase)**



## Table of Contents

<b>1 Features</b> .....	<b>1</b>	6.1 Receiving Notification of Documentation Updates.....	<b>8</b>
<b>2 Applications</b> .....	<b>1</b>	6.2 Support Resources.....	<b>8</b>
<b>3 Description</b> .....	<b>1</b>	6.3 Trademarks.....	<b>8</b>
<b>4 Revision History</b> .....	<b>2</b>	6.4 Electrostatic Discharge Caution.....	<b>8</b>
<b>5 Pin Configuration and Functions</b> .....	<b>3</b>	6.5 Glossary.....	<b>8</b>
<b>6 Device and Documentation Support</b> .....	<b>8</b>	<b>7 Mechanical, Packaging, and Orderable Information</b> .....	<b>8</b>

## 4 Revision History

NOTE: Page numbers for previous revisions may differ from page numbers in the current version.

DATE	REVISION	NOTES
December 2022	*	Initial release

## 5 Pin Configuration and Functions

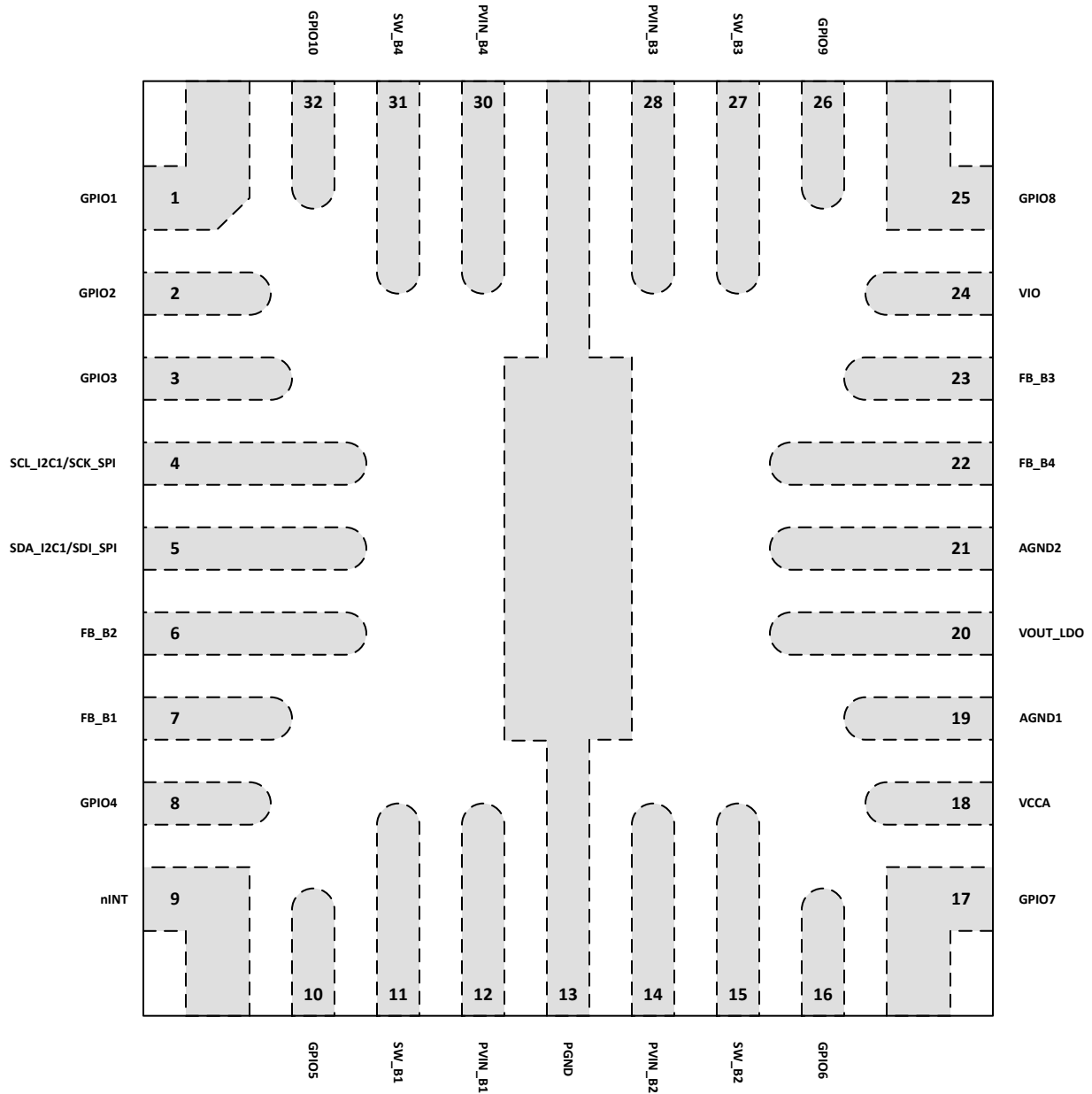


Figure 5-1. RQK Package 32-Pin VQFN-HR Top View

**Table 5-1. Pin Functions**

PIN		I/O	TYPE	DESCRIPTION	CONNECTION IF NOT USED
NO.	NAME				
1	GPIO1	I/O	Digital	Primary function: General Purpose Input/Output signal. When configured as an output pin, it can be included as part of the power sequencer output signal to enable an external regulator.	Input: Ground, Output: Floating
		O	Digital	Alternative programmable function: EN_DRV - Enable Drive output pin to indicate the device entering safe state (set low when ENABLE_DRV bit is '0').	Floating
		O	Digital	Alternative programmable function: nRSTOUT_SOC - System reset or power on reset output (low = reset).	Floating
		O	Digital	Alternative programmable function: PGOOD - Programmable Power Good indication pin.	Floating
		I	Digital	Alternative programmable function: nSLEEP1 or nSLEEP2, which are the sleep request signals for the device to go to lower power states (Active Low).	Ground
		I	Digital	Alternative programmable function: WKUP1 or WKUP2, which are the wake-up request signals for the device to go to higher power states.	Ground
2	GPIO2	I/O	Digital	Primary function: General Purpose Input/Output signal. When configured as an output pin, it can be included as part of the power sequencer output signal to enable an external regulator.	Input: Ground, Output: Floating
		I	Digital	Alternative programmable function: SCL_I2C2 - Serial interface clock input for I2C access.	Ground
		I	Digital	Alternative programmable function: CS_SPI - Serial interface Chip Select signal for SPI access.	Ground
		I	Digital	Alternative programmable function: TRIG_WDOG - Trigger signal for trigger mode watchdog.	Ground
		I	Digital	Alternative programmable function: nSLEEP1 or nSLEEP2, which are the sleep request signals for the device to go to lower power states (Active Low).	Ground
		I	Digital	Alternative programmable function: WKUP1 or WKUP2, which are the wake-up request signals for the device to go to higher power states.	Ground
3	GPIO3	I/O	Digital	Primary function: General Purpose Input/Output signal. When configured as an output pin, it can be included as part of the power sequencer output signal to enable an external regulator.	Input: Ground, Output: Floating
		I/O	Digital	Alternative programmable function: SDA_I2C2 - Serial interface data input and output for I2C access.	Ground
		O	Digital	Alternative programmable function: SDO_SPI - Serial interface data output signal for SPI access.	Floating
		I	Digital	Alternative programmable function: nSLEEP1 or nSLEEP2, which are the sleep request signals for the device to go to lower power states (Active Low).	Ground
		I	Digital	Alternative programmable function: WKUP1 or WKUP2, which are the wake-up request signals for the device to go to higher power states.	Ground
4	SCL_I2C1/ SCK_SPI	I	Digital	If SPI is not used: SCL_I2C1 - Serial interface clock input for I2C access.	Ground
		I	Digital	If SPI is used: SCK_SPI - Serial interface clock input for SPI access.	Ground
5	SDA_I2C1/ SDI_SPI	I/O	Digital	If SPI is not used: SDA_I2C1 - Serial interface data input and output for I2C access.	Ground
		I	Digital	If SPI is used: SDI_SPI - Serial interface data input signal for SPI access.	Ground
6	FB_B2	—	Analog	Output voltage feedback (positive) for BUCK2. Alternatively ground feedback for BUCK1 in multiphase configuration.	Ground
7	FB_B1	—	Analog	Output voltage feedback (positive) for BUCK1.	Ground

**Table 5-1. Pin Functions (continued)**

PIN		I/O	TYPE	DESCRIPTION	CONNECTION IF NOT USED
NO.	NAME				
8	GPIO4	I/O	Digital	Primary function: General Purpose Input/Output signal. When configured as an output pin, it can be included as part of the power sequencer output signal to enable an external regulator.	Input: Ground, Output: Floating
		I	Digital	Alternative programmable function: ENABLE - External power-on control.	Ground
		I	Digital	Alternative programmable function: TRIG_WDOG - Trigger signal for trigger mode watchdog.	Ground
		—	Analog	Alternative programmable function: BUCK1_VMON - Voltage monitoring input for BUCK1 regulator.	Ground
		I	Digital	Alternative programmable function: nSLEEP1 or nSLEEP2, which are the sleep request signals for the device to go to lower power states (Active Low).	Ground
		I	Digital	Alternative programmable function: WKUP1 or WKUP2, which are the wake-up request signals for the device to go to higher power states.	Ground
9	nINT	O	Digital	Open-drain interrupt output, active LOW.	Floating
10	GPIO5	I/O	Digital	Primary function: General Purpose Input/Output signal. When configured as an output pin, it can be included as part of the power sequencer output signal to enable an external regulator.	Input: Ground, Output: Floating
		I	Digital	Alternative programmable function: SYNCCLKIN - External switching clock input for Buck regulators.	Ground
		O	Digital	Alternative programmable function: SYNCCLKOUT - Switching clock output for external regulators.	Floating
		O	Digital	Alternative programmable function: nRSTOUT_SOC - System reset or power on reset output (low = reset).	Floating
		I	Digital	Alternative programmable function: nSLEEP1 or nSLEEP2, which are the sleep request signals for the device to go to lower power states (Active Low).	Ground
		I	Digital	Alternative programmable function: WKUP1 or WKUP2, which are the wake-up request signals for the device to go to higher power states.	Ground
11	SW_B1	—	Analog	BUCK1 switch node.	Floating
12	PVIN_B1	—	Power	Power input for BUCK1. The separate power pins PVIN_Bx are not connected together internally – PVIN_Bx and VCCA pins must be connected together in the application and be locally bypassed.	System supply
13	PGND	—	Ground	Power ground for Buck regulators.	Ground
14	PVIN_B2	—	Power	Power input for BUCK2. The separate power pins PVIN_Bx are not connected together internally – PVIN_Bx and VCCA pins must be connected together in the application and be locally bypassed.	System supply
15	SW_B2	—	Analog	BUCK2 switch node.	Floating
16	GPIO6	I/O	Digital	Primary function: General Purpose Input/Output signal. When configured as an output pin, it can be included as part of the power sequencer output signal to enable an external regulator.	Input: Ground, Output: Floating
		I	Digital	Alternative programmable function: nERR_MCU - System error count down input signal from the MCU.	Floating
		O	Digital	Alternative programmable function: SYNCCLKOUT - Switching clock output for external regulators.	Floating
		O	Digital	Alternative programmable function: PGOOD - Programmable Power Good indication pin.	Floating
		I	Digital	Alternative programmable function: nSLEEP1 or nSLEEP2, which are the sleep request signals for the device to go to lower power states (Active Low).	Ground
		I	Digital	Alternative programmable function: WKUP1 or WKUP2, which are the wake-up request signals for the device to go to higher power states.	Ground

**Table 5-1. Pin Functions (continued)**

PIN		I/O	TYPE	DESCRIPTION	CONNECTION IF NOT USED
NO.	NAME				
17	GPIO7	I/O	Digital	Primary function: General Purpose Input/Output signal. When configured as an output pin, it can be included as part of the power sequencer output signal to enable an external regulator.	Input: Ground, Output: Floating
		I	Digital	Alternative programmable function: nERR_MCU - System error count down input signal from the MCU.	Floating
		O	Analog	Alternative programmable function: REFOUT - Buffered bandgap output.	Floating
		I	Analog	Alternative programmable function: VMON1 - External voltage monitoring input.	Ground
		I	Digital	Alternative programmable function: nSLEEP1 or nSLEEP2, which are the sleep request signals for the device to go to lower power states (Active Low).	Ground
		I	Digital	Alternative programmable function: WKUP1 or WKUP2, which are the wake-up request signals for the device to go to higher power states.	Ground
18	VCCA	—	Power	Supply voltage for internal LDO. VCCA and PVIN_Bx pins must be connected together in the application and be locally bypassed.	System supply
19	AGND1	—	Ground	Ground	Ground
20	VOUT_LDO	—	Power	LDO regulator filter node. LDO is used for internal purposes.	—
21	AGND2	—	Ground	Ground	Ground
22	FB_B4	—	Analog	Output voltage feedback (positive) for BUCK4. Alternatively ground feedback for BUCK3 in dualphase configuration.	Ground
23	FB_B3	—	Analog	Output voltage feedback (positive) for BUCK3.	Ground
24	VIO	—	Power	Supply voltage for selected digital outputs.	Ground
25	GPIO8	I/O	Digital	Primary function: General Purpose Input/Output signal. When configured as an output pin, it can be included as part of the power sequencer output signal to enable an external regulator.	Input: Ground, Output: Floating
		I/O	Digital	Alternative programmable function: SCLK_SPMI - Multi-PMIC SPMI serial interface clock signal. This pin is an output pin for the master SPMI device, and an input pin for the slave SPMI device.	Ground
		I	Analog	Alternative programmable function: VMON2 - External voltage monitoring input.	Ground
		I	Digital	Alternative programmable function: nSLEEP1 or nSLEEP2, which are the sleep request signals for the device to go to lower power states (Active Low).	Ground
		I	Digital	Alternative programmable function: WKUP1 or WKUP2, which are the wake-up request signals for the device to go to higher power states.	Ground
26	GPIO9	I/O	Digital	Primary function: General Purpose Input/Output signal. When configured as an output pin, it can be included as part of the power sequencer output signal to enable an external regulator.	Input: Ground, Output: Floating
		I/O	Digital	Alternative programmable function: SDATA_SPMI - Multi-PMIC SPMI serial interface bidirectional data signal	Floating
		O	Digital	Alternative programmable function: PGOOD - Programmable Power Good indication pin.	Floating
		I	Digital	Alternative programmable function: SYNCCLKIN - External switching clock input for Buck regulators.	Ground
		I	Digital	Alternative programmable function: nSLEEP1 or nSLEEP2, which are the sleep request signals for the device to go to lower power states (Active Low).	Ground
		I	Digital	Alternative programmable function: WKUP1 or WKUP2, which are the wake-up request signals for the device to go to higher power states.	Ground
27	SW_B3	—	Analog	BUCK3 switch node.	Floating
28	PVIN_B3	—	Power	Power input for BUCK3. The separate power pins PVIN_Bx are not connected together internally – PVIN_Bx and VCCA pins must be connected together in the application and be locally bypassed.	System supply

**Table 5-1. Pin Functions (continued)**

PIN		I/O	TYPE	DESCRIPTION	CONNECTION IF NOT USED
NO.	NAME				
30	PVIN_B4	—	Power	Power input for BUCK4. The separate power pins PVIN_Bx are not connected together internally – PVIN_Bx and VCCA pins must be connected together in the application and be locally bypassed.	System supply
31	SW_B4	—	Analog	BUCK4 switch node.	Floating
32	GPIO10	I/O	Digital	Primary function: General Purpose Input/Output signal. When configured as an output pin, it can be included as part of the power sequencer output signal to enable an external regulator.	Input: Ground, Output: Floating
		O	Digital	Alternative programmable function: nRSTOUT - System reset or power on reset output (low = reset).	Floating
		O	Digital	Alternative programmable function: nRSTOUT_SOC - System reset or power on reset output (low = reset).	Floating
		I	Digital	Alternative programmable function: nSLEEP1 or nSLEEP2, which are the sleep request signals for the device to go to lower power states (Active Low).	Ground
		I	Digital	Alternative programmable function: WKUP1 or WKUP2, which are the wake-up request signals for the device to go to higher power states.	Ground

## 6 Device and Documentation Support

### 6.1 Receiving Notification of Documentation Updates

To receive notification of documentation updates, navigate to the device product folder on [ti.com](http://ti.com). Click on *Subscribe to updates* to register and receive a weekly digest of any product information that has changed. For change details, review the revision history included in any revised document.

### 6.2 Support Resources

TI E2E™ [support forums](#) are an engineer's go-to source for fast, verified answers and design help — straight from the experts. Search existing answers or ask your own question to get the quick design help you need.

Linked content is provided "AS IS" by the respective contributors. They do not constitute TI specifications and do not necessarily reflect TI's views; see TI's [Terms of Use](#).

### 6.3 Trademarks

TI E2E™ is a trademark of Texas Instruments.

All trademarks are the property of their respective owners.

### 6.4 Electrostatic Discharge Caution



This integrated circuit can be damaged by ESD. Texas Instruments recommends that all integrated circuits be handled with appropriate precautions. Failure to observe proper handling and installation procedures can cause damage.

ESD damage can range from subtle performance degradation to complete device failure. Precision integrated circuits may be more susceptible to damage because very small parametric changes could cause the device not to meet its published specifications.

### 6.5 Glossary



[TI Glossary](#) This glossary lists and explains terms, acronyms, and definitions.

## 7 Mechanical, Packaging, and Orderable Information

The following pages include mechanical, packaging, and orderable information. This information is the most current data available for the designated devices. This data is subject to change without notice and revision of this document. For browser-based versions of this data sheet, refer to the left-hand navigation.



**PACKAGING INFORMATION**

Orderable Device	Status (1)	Package Type	Package Drawing	Pins	Package Qty	Eco Plan (2)	Lead finish/ Ball material (6)	MSL Peak Temp (3)	Op Temp (°C)	Device Marking (4/5)	Samples
LP876924C3RQKRQ1	ACTIVE	VQFN-HR	RQK	32	3000	RoHS & Green	SN	Level-2-260C-1 YEAR	-40 to 125	LP8769 24C3-Q1	
LP876940C0RQKRQ1	ACTIVE	VQFN-HR	RQK	32	3000	RoHS & Green	SN	Level-2-260C-1 YEAR	-40 to 125	LP8769 40C0-Q1	

(1) The marketing status values are defined as follows:

**ACTIVE:** Product device recommended for new designs.

**LIFEBUY:** TI has announced that the device will be discontinued, and a lifetime-buy period is in effect.

**NRND:** Not recommended for new designs. Device is in production to support existing customers, but TI does not recommend using this part in a new design.

**PREVIEW:** Device has been announced but is not in production. Samples may or may not be available.

**OBsolete:** TI has discontinued the production of the device.

(2) **RoHS:** TI defines "RoHS" to mean semiconductor products that are compliant with the current EU RoHS requirements for all 10 RoHS substances, including the requirement that RoHS substance do not exceed 0.1% by weight in homogeneous materials. Where designed to be soldered at high temperatures, "RoHS" products are suitable for use in specified lead-free processes. TI may reference these types of products as "Pb-Free".

**RoHS Exempt:** TI defines "RoHS Exempt" to mean products that contain lead but are compliant with EU RoHS pursuant to a specific EU RoHS exemption.

**Green:** TI defines "Green" to mean the content of Chlorine (Cl) and Bromine (Br) based flame retardants meet JS709B low halogen requirements of <=1000ppm threshold. Antimony trioxide based flame retardants must also meet the <=1000ppm threshold requirement.

(3) MSL, Peak Temp. - The Moisture Sensitivity Level rating according to the JEDEC industry standard classifications, and peak solder temperature.

(4) There may be additional marking, which relates to the logo, the lot trace code information, or the environmental category on the device.

(5) Multiple Device Markings will be inside parentheses. Only one Device Marking contained in parentheses and separated by a "~" will appear on a device. If a line is indented then it is a continuation of the previous line and the two combined represent the entire Device Marking for that device.

(6) Lead finish/Ball material - Orderable Devices may have multiple material finish options. Finish options are separated by a vertical ruled line. Lead finish/Ball material values may wrap to two lines if the finish value exceeds the maximum column width.

**Important Information and Disclaimer:**The information provided on this page represents TI's knowledge and belief as of the date that it is provided. TI bases its knowledge and belief on information provided by third parties, and makes no representation or warranty as to the accuracy of such information. Efforts are underway to better integrate information from third parties. TI has taken and continues to take reasonable steps to provide representative and accurate information but may not have conducted destructive testing or chemical analysis on incoming materials and chemicals. TI and TI suppliers consider certain information to be proprietary, and thus CAS numbers and other limited information may not be available for release.

In no event shall TI's liability arising out of such information exceed the total purchase price of the TI part(s) at issue in this document sold by TI to Customer on an annual basis.



**TAPE AND REEL INFORMATION**

**QUADRANT ASSIGNMENTS FOR PIN 1 ORIENTATION IN TAPE**

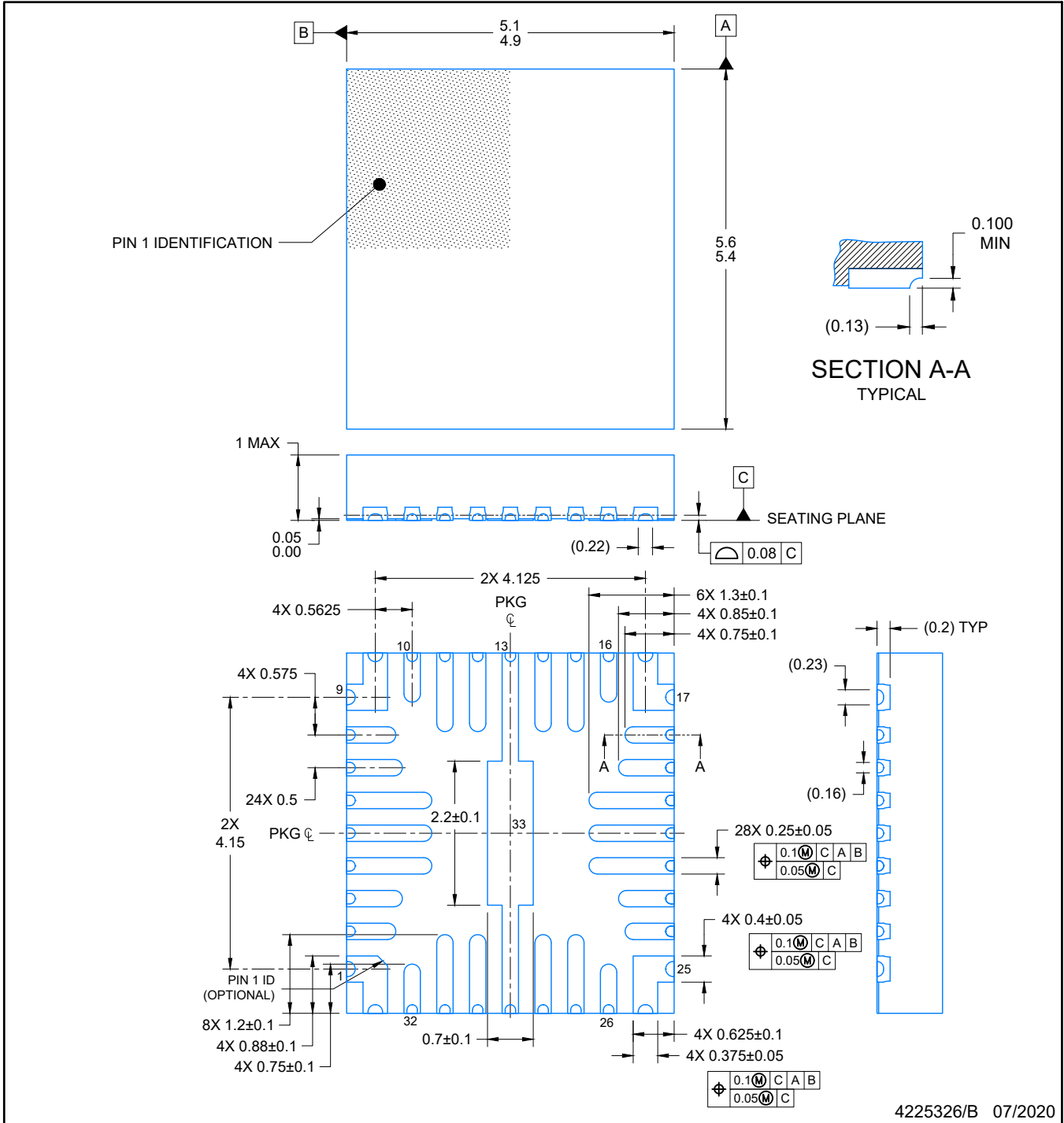

\*All dimensions are nominal

Device	Package Type	Package Drawing	Pins	SPQ	Reel Diameter (mm)	Reel Width W1 (mm)	A0 (mm)	B0 (mm)	K0 (mm)	P1 (mm)	W (mm)	Pin1 Quadrant
LP876924C3RQKRQ1	VQFN-HR	RQK	32	3000	330.0	12.4	5.25	5.75	1.05	8.0	12.0	Q1
LP876940C0RQKRQ1	VQFN-HR	RQK	32	3000	330.0	12.4	5.25	5.75	1.05	8.0	12.0	Q1

**TAPE AND REEL BOX DIMENSIONS**

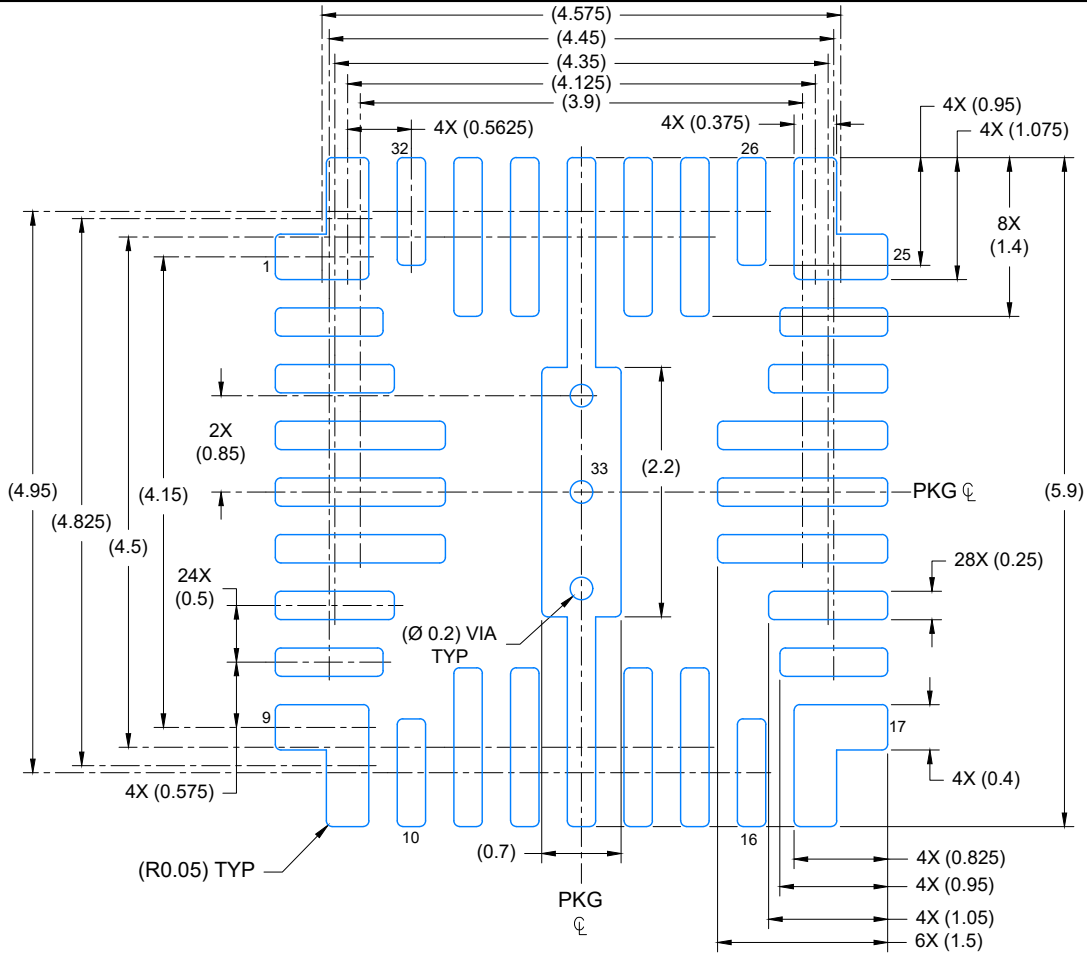

\*All dimensions are nominal

Device	Package Type	Package Drawing	Pins	SPQ	Length (mm)	Width (mm)	Height (mm)
LP876924C3RQKRQ1	VQFN-HR	RQK	32	3000	367.0	367.0	38.0
LP876940C0RQKRQ1	VQFN-HR	RQK	32	3000	367.0	367.0	38.0

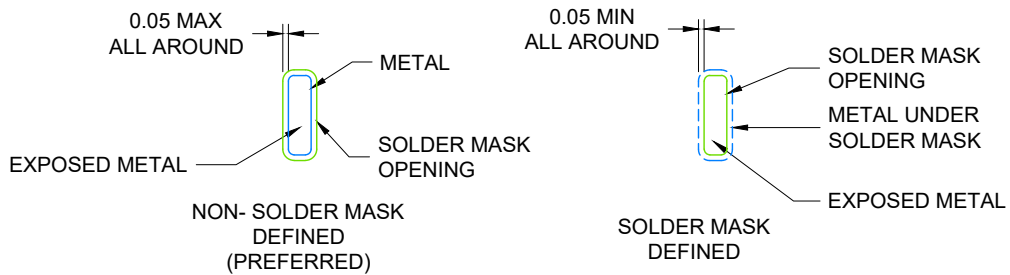


NOTES:

1. All linear dimensions are in millimeters. Any dimensions in parenthesis are for reference only. Dimensioning and tolerancing per ASME Y14.5M.
2. This drawing is subject to change without notice.



LAND PATTERN EXAMPLE  
EXPOSED METAL SHOWN  
SCALE: 15X

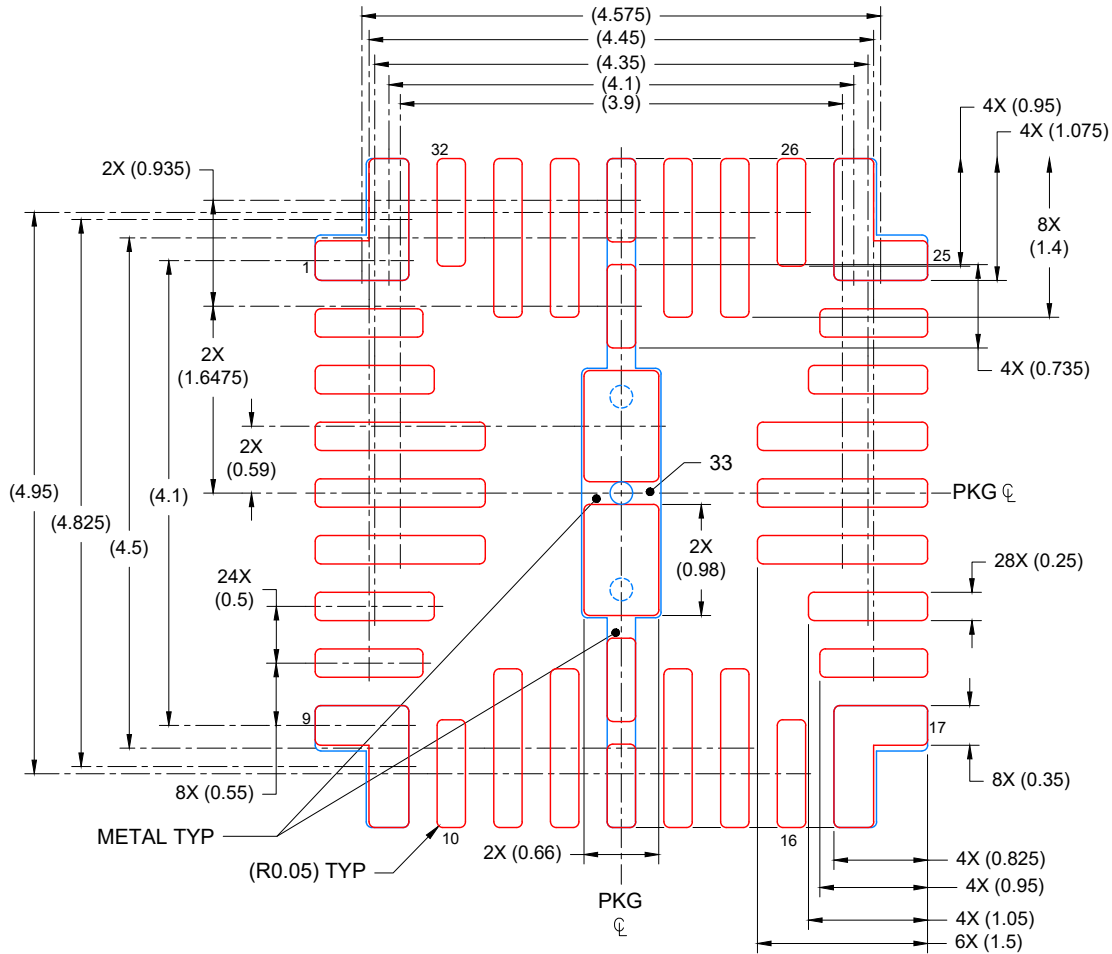


SOLDER MASK DETAILS  
NOT TO SCALE

4225326/B 07/2020

NOTES: (continued)

3. For more information, see Texas Instruments literature number SLUA271 ([www.ti.com/lit/sluea271](http://www.ti.com/lit/sluea271)).
4. Solder mask tolerances between and around signal pads can vary based on board fabrication site.



SOLDER PASTE EXAMPLE  
 BASED ON 0.1mm THICK STENCIL

PIN 1,9,16 & 25: 93%; PIN 13& 29: 79%; PIN 33: 84%  
 SCALE: 15X

4225326/B 07/2020

NOTES: (continued)

5. Laser cutting apertures with trapezoidal walls and rounded corners may offer better paste release. IPC-7525 may have alternate design recommendations.

## IMPORTANT NOTICE AND DISCLAIMER

TI PROVIDES TECHNICAL AND RELIABILITY DATA (INCLUDING DATA SHEETS), DESIGN RESOURCES (INCLUDING REFERENCE DESIGNS), APPLICATION OR OTHER DESIGN ADVICE, WEB TOOLS, SAFETY INFORMATION, AND OTHER RESOURCES "AS IS" AND WITH ALL FAULTS, AND DISCLAIMS ALL WARRANTIES, EXPRESS AND IMPLIED, INCLUDING WITHOUT LIMITATION ANY IMPLIED WARRANTIES OF MERCHANTABILITY, FITNESS FOR A PARTICULAR PURPOSE OR NON-INFRINGEMENT OF THIRD PARTY INTELLECTUAL PROPERTY RIGHTS.

These resources are intended for skilled developers designing with TI products. You are solely responsible for (1) selecting the appropriate TI products for your application, (2) designing, validating and testing your application, and (3) ensuring your application meets applicable standards, and any other safety, security, regulatory or other requirements.

These resources are subject to change without notice. TI grants you permission to use these resources only for development of an application that uses the TI products described in the resource. Other reproduction and display of these resources is prohibited. No license is granted to any other TI intellectual property right or to any third party intellectual property right. TI disclaims responsibility for, and you will fully indemnify TI and its representatives against, any claims, damages, costs, losses, and liabilities arising out of your use of these resources.

TI's products are provided subject to [TI's Terms of Sale](#) or other applicable terms available either on [ti.com](https://www.ti.com) or provided in conjunction with such TI products. TI's provision of these resources does not expand or otherwise alter TI's applicable warranties or warranty disclaimers for TI products.

TI objects to and rejects any additional or different terms you may have proposed.

Mailing Address: Texas Instruments, Post Office Box 655303, Dallas, Texas 75265  
Copyright © 2024, Texas Instruments Incorporated