

# TCAN1046V-Q1 Dual Automotive Fault-Protected CAN Transceiver

## 1 Features

- AEC-Q100: Qualified for automotive applications
  - Temperature grade 1:  $-40^{\circ}\text{C}$  to  $125^{\circ}\text{C}$   $T_A$
- Two high-speed CAN transceivers with independent mode control
- Meets the requirements of ISO 11898-2:2016 and ISO 11898-5:2007 physical layer standards
- Functional Safety-Capable
  - Documentation available to aid functional safety system design
- Support of classical CAN and optimized CAN FD performance at 2, 5, and 8 Mbps
  - Short and symmetrical propagation delays for enhanced timing margin
  - Higher data rates in loaded CAN networks
- I/O voltage range supports 1.7 V to 5.5 V
  - Support for 1.8-V, 2.5-V, 3.3-V, and 5-V applications
- Protection features:
  - Bus fault protection:  $\pm 58$  V
  - Undervoltage protection
  - TXD dominant timeout (DTO)
    - Data rates down to 9.2 kbps
  - Thermal-shutdown protection (TSD)
- Operating modes:
  - Normal mode
  - Low power standby mode supporting remote wake-up request
- Optimized behavior when unpowered
  - Bus and logic pins are high impedance (no load to operating bus or application)
  - Hot-plug capable: power up/down glitch free operation on bus and RXD output
- Junction temperatures from:  $-40^{\circ}\text{C}$  to  $150^{\circ}\text{C}$
- Receiver common mode input voltage:  $\pm 12$  V
- Available in SOIC (14) and leadless VSON (14) packages (4.5 mm x 3.0 mm) with improved automated optical inspection (AOI) capability

## 2 Applications

- Automotive and Transportation
  - Body control modules
  - Automotive gateway
  - Advanced driver assistance system (ADAS)
  - Infotainment

## 3 Description

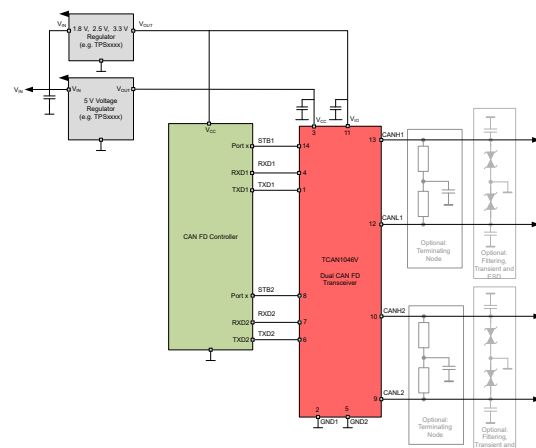
The TCAN1046V-Q1 is a dual, high-speed controller area network (CAN) transceiver that meets the physical layer requirements of the ISO 11898-2:2016 high-speed CAN specification.

The TCAN1046V-Q1 transceiver supports both classical CAN and CAN FD networks up to 8 megabits per second (Mbps). The TCAN1046V-Q1 includes internal logic level translation via the  $V_{IO}$  terminal to allow for interfacing the transceiver IOs directly to 1.8 V, 2.5 V, 3.3 V, or 5 V logic IOs. The two CAN channels support independent mode control through the standby pins. This provides the ability to place each transceiver into its low-power state, standby mode, without impacting the state of the other CAN channel. While in standby mode the TCAN1046V-Q1 supports remote wake-up via the ISO 11898-2:2016 defined wake-up pattern (WUP). The TCAN1046V-Q1 transceivers also include many protection and diagnostic features including thermal shutdown (TSD), TXD dominant timeout (DTO), supply undervoltage detection, and bus fault protection up to  $\pm 58$  V.

### Device Information

PART NUMBER	PACKAGE <sup>(1)</sup>	BODY SIZE (NOM)
TCAN1046V-Q1	VSON (14)	4.50 mm x 3.00 mm
	SOIC (14)	8.95 mm x 3.91 mm

- (1) For all available packages, see the orderable addendum at the end of the data sheet.



Simplified Schematics



## Table of Contents

<b>1 Features</b> .....	1	8.2 Functional Block Diagram.....	15
<b>2 Applications</b> .....	1	8.3 Feature Description.....	16
<b>3 Description</b> .....	1	8.4 Device Functional Modes.....	19
<b>4 Revision History</b> .....	2	<b>9 Application and Implementation</b> .....	23
<b>5 Pin Configuration and Functions</b> .....	3	9.1 Application Information.....	23
<b>6 Specifications</b> .....	4	9.2 Typical Application.....	23
6.1 Absolute Maximum Ratings.....	4	9.3 System Examples.....	26
6.2 ESD Ratings.....	4	<b>10 Power Supply Recommendations</b> .....	26
6.3 ESD Ratings - IEC Ratings.....	4	<b>11 Layout</b> .....	27
6.4 Recommended Operating Conditions.....	4	11.1 Layout Guidelines.....	27
6.5 Thermal Characteristics.....	5	11.2 Layout Example.....	28
6.6 Supply Characteristics.....	5	<b>12 Device and Documentation Support</b> .....	29
6.7 Dissipation Ratings.....	6	12.1 Receiving Notification of Documentation Updates.....	29
6.8 Electrical Characteristics.....	7	12.2 Support Resources.....	29
6.9 Switching Characteristics.....	8	12.3 Trademarks.....	29
6.10 Typical Characteristics.....	10	12.4 Electrostatic Discharge Caution.....	29
<b>7 Parameter Measurement Information</b> .....	11	12.5 Glossary.....	29
<b>8 Detailed Description</b> .....	14	<b>13 Mechanical, Packaging, and Orderable Information</b> .....	29
8.1 Overview.....	14		

## 4 Revision History

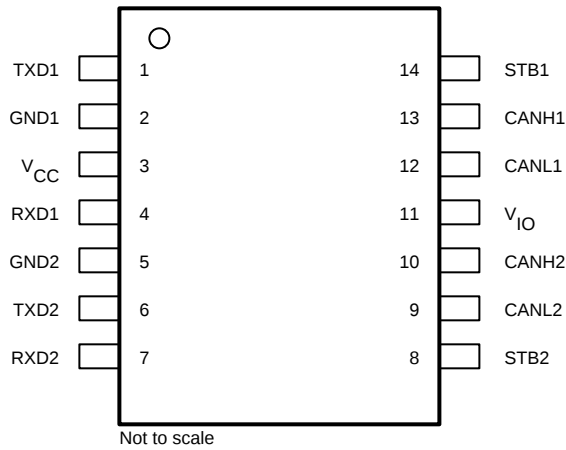
NOTE: Page numbers for previous revisions may differ from page numbers in the current version.

Changes from Revision B (December 2019) to Revision C (February 2022)	Page
• Deleted the TCAN1048V-Q1 from the data sheet.....	1
• Changed all TCAN104xV-Q1 to <i>TCAN1046V-Q1</i> .....	1
• Added <i>Feature</i> "Functional Safety-Capable".....	1
• Deleted nSTB1 and nSTB2 pin from the <i>Pin Configuration and Functions</i> and throughout this document.....	3
• Changed the Test Conditions for $I_{OS(SS\_DOM)}$ in the <i>Electrical Characteristics</i> table.....	7
• Deleted the "EMC requirements:" from the <i>Overview</i> section.....	14
• Added footnotes to <a href="#">Table 8-1</a> .....	19
• Removed section Related Links from the .....	29

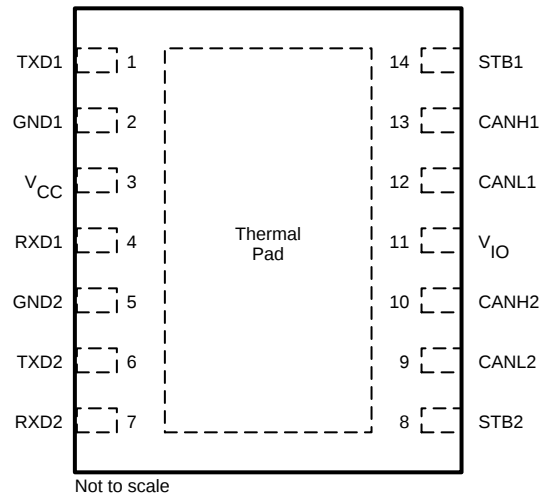
Changes from Revision A (August 2019) to Revision B (December 2019)	Page
• First public release of the data sheet .....	1
• Changed <a href="#">Figure 9-2</a> .....	24

Changes from Revision * (September 2018) to Revision A (August 2019)	Page
• Changed data sheet From: <i>Advanced Information</i> To: <i>Production</i> data .....	1

## 5 Pin Configuration and Functions



**Figure 5-1. D (SOIC) Package, 14 Pin (Top View)**



**Figure 5-2. DMT (VSON) Package, 14 Pin (Top View)**

**Table 5-1. Pin Functions**

Pins		Type	Description
Name	No.		
TXD1	1	Digital Input	CAN transmit data input 1, integrated pull-up
GND1	2	GND	Ground connection
V <sub>CC</sub>	3	Supply	5-V supply voltage
RXD1	4	Digital Output	CAN receive data output 1, tri-state when V <sub>IO</sub> < UV <sub>VIO</sub>
GND2	5	GND	Ground connection
TXD2	6	Digital Input	CAN transmit data input 2, integrated pull-up
RXD2	7	Digital Output	CAN receive data output 2, tri-state when V <sub>IO</sub> < UV <sub>VIO</sub>
STB2	8	Digital Input	Standby input 2 for mode control, integrated pull-up
CANL2	9	Bus IO	Low-level CAN bus 2 input or output line
CANH2	10	Bus IO	High-level CAN bus 2 input or output line
V <sub>IO</sub>	11	Supply	IO supply voltage
CANL1	12	Bus IO	Low-level CAN bus 1 input or output line
CANH1	13	Bus IO	High-level CAN bus 1 input or output line
STB1	14	Digital Input	Standby input 1 for mode control, integrated pull-up
Thermal Pad (VSON only)		—	Electrically connected to GND, connect the thermal pad to the printed circuit board (PCB) ground plane for thermal relief

## 6 Specifications

### 6.1 Absolute Maximum Ratings

over operating free-air temperature range (unless otherwise noted)<sup>(1)</sup> <sup>(2)</sup>

		MIN	MAX	UNIT
V <sub>CC</sub>	Supply voltage	-0.3	6	V
V <sub>IO</sub>	Supply voltage I/O level shifter	-0.3	6	V
V <sub>BUS</sub>	CAN Bus IO voltage CANH1, CANL1 & CANH2, CANL2	-58	58	V
V <sub>DIFF</sub>	Max differential voltage between CANH1, CANL1 & CANH2, CANL2	-45	45	V
V <sub>Logic_Input</sub>	Logic input terminal voltage	-0.3	6	V
V <sub>RXD</sub>	RXD output terminal voltage range (V <sub>RXD1</sub> , V <sub>RXD2</sub> )	-0.3	6	V
I <sub>O(RXD)</sub>	RXD output current (I <sub>ORXD1</sub> , I <sub>ORXD2</sub> )	-8	8	mA
T <sub>J</sub>	Operating virtual junction temperature range	-40	150	°C
T <sub>STG</sub>	Storage temperature	-65	150	°C

- (1) Operation outside the *Absolute Maximum Ratings* may cause permanent device damage. *Absolute Maximum Ratings* do not imply functional operation of the device at these or any other conditions beyond those listed under *Recommended Operating Conditions*. If used outside the *Recommended Operating Conditions* but within the *Absolute Maximum Ratings*, the device may not be fully functional, and this may affect device reliability, functionality, performance, and shorten the device lifetime.
- (2) All voltage values, except differential IO bus voltages, are with respect to ground terminal.

### 6.2 ESD Ratings

			VALUE	UNIT
V <sub>ESD</sub>	Electrostatic discharge	Human-body model (HBM), per AEC Q100-002 <sup>(1)</sup>	±3000	V
			±10000	V
		Charged-device model (CDM), per AEC Q100-011 CDM classification level C5 for all pins	±750	V

- (1) AEC Q100-002 indicates that HBM stressing shall be in accordance with the ANSI/ESDA/JEDEC JS-001 specification.

### 6.3 ESD Ratings - IEC Ratings

			VALUE	UNIT	
V <sub>Tran</sub>	ISO 7637-2 Transients immunity <sup>(1)</sup>	CAN bus terminals (CANH1, CANL1 and CANH2, CANL2) to GND	Pulse 1	-100	V
			Pulse 2a	75	V
			Pulse 3a	-150	V
			Pulse 3b	100	V
			DCC slow transient pulse	±85	V
	ISO 7637-3 DCC transient immunity <sup>(2)</sup>				

- (1) Tested according to IEC 62228-3
- (2) Tested according to ISO 7637-3 (2017); Electrical transient transmission by capacitive and inductive coupling via lines other than supply lines

### 6.4 Recommended Operating Conditions

		MIN	NOM	MAX	UNIT
V <sub>CC</sub>	Supply voltage	4.5	5	5.5	V
V <sub>IO</sub>	Supply voltage for I/O level shifter	1.7		5.5	V
I <sub>OH(RXD)</sub>	RXD terminal high level output current – I <sub>OH(RXD1)</sub> & I <sub>OH(RXD2)</sub>	-2			mA
I <sub>OL(RXD)</sub>	RXD terminal low level output current – I <sub>OL(RXD1)</sub> & I <sub>OL(RXD2)</sub>			2	mA
T <sub>A</sub>	Operating ambient temperature	-40		125	°C

## 6.5 Thermal Characteristics

THERMAL METRIC <sup>(1)</sup>		TCAN1046V-Q1		UNIT
		D (SOIC)	DMT (VSON)	
R <sub>θJA</sub>	Junction-to-ambient thermal resistance	70.8	34.8	°C/W
R <sub>θJC(top)</sub>	Junction-to-case (top) thermal resistance	33	38.2	°C/W
R <sub>θJB</sub>	Junction-to-board thermal resistance	32.9	12.8	°C/W
Ψ <sub>JT</sub>	Junction-to-top characterization parameter	5.9	2.0	°C/W
Ψ <sub>JB</sub>	Junction-to-board characterization parameter	32.5	12.8	°C/W
R <sub>θJC(bot)</sub>	Junction-to-case (bottom) thermal resistance	–	3.1	°C/W

(1) For more information about traditional and new thermal metrics, see the [Semiconductor and IC Package Thermal Metrics](#) application report.

## 6.6 Supply Characteristics

Over recommended operating conditions with T<sub>A</sub> = -40°C to 125°C (unless otherwise noted)

PARAMETER		TEST CONDITIONS		MIN	TYP	MAX	UNIT
I <sub>CC</sub>	Supply current normal mode	Dominant One channel <sup>(1)</sup>	TXD <sub>x</sub> = 0 V, TXD <sub>y</sub> = V <sub>IO</sub> STB1 = STB2 = 0 V R <sub>L</sub> = 60 Ω, C <sub>L</sub> = open See <a href="#">Figure 7-1</a>		50	77.5	mA
			TXD <sub>x</sub> = 0 V, TXD <sub>y</sub> = V <sub>IO</sub> STB1 = STB2 = 0 V R <sub>L</sub> = 50 Ω, C <sub>L</sub> = open See <a href="#">Figure 7-1</a>		55	87.5	mA
		Dominant Two channels	TXD1 = TXD2 = 0 V STB1 = STB2 = 0 V R <sub>L</sub> = 60 Ω, C <sub>L</sub> = open See <a href="#">Figure 7-1</a>		95	140	mA
			TXD1 = TXD2 = 0 V STB1 = STB2 = 0 V R <sub>L</sub> = 50 Ω, C <sub>L</sub> = open See <a href="#">Figure 7-1</a>		100	160	mA
		Recessive Two channels	TXD1 = TXD2 = V <sub>IO</sub> STB1 = STB2 = 0 V R <sub>L</sub> = 50 Ω, C <sub>L</sub> = open See <a href="#">Figure 7-1</a>		10	15	mA
		Dominant with bus fault CAN <sub>x</sub> , CAN <sub>y</sub> recessive <sup>(1) (2)</sup>	TXD <sub>x</sub> = 0 V, TXD <sub>y</sub> = V <sub>IO</sub> STB1 = STB2 = 0 V CANH <sub>x</sub> = CANL <sub>x</sub> = ±25 V R <sub>Lx</sub> = open, R <sub>Ly</sub> = 50 Ω, C <sub>L</sub> = open See <a href="#">Figure 7-1</a>		90	137.5	mA
		Dominant with bus fault CAN <sub>x</sub> , CAN <sub>y</sub> dominant <sup>(2)</sup>	TXD1 = TXD2 = 0 V STB1 = STB2 = 0 V CANH <sub>x</sub> = CANL <sub>x</sub> = ±25 V R <sub>Lx</sub> = open, R <sub>Ly</sub> = 50 Ω, C <sub>L</sub> = open See <a href="#">Figure 7-1</a>		135	210	mA
	Dominant with bus fault CAN <sub>x</sub> and CAN <sub>y</sub> <sup>(2)</sup>	TXD1 = TXD2 = 0 V STB1 = STB2 = 0 V CANH1 = CANL1 = ±25 V CANH2 = CANL2 = ±25 V R <sub>Lx</sub> = R <sub>Ly</sub> = open, C <sub>L</sub> = open See <a href="#">Figure 7-1</a>		170	260	mA	
Supply current standby mode		TXD1 = TXD2 = V <sub>IO</sub> STB1 = STB2 = V <sub>IO</sub> R <sub>L</sub> = 60 Ω, C <sub>L</sub> = open See <a href="#">Figure 7-1</a>		0.4	2	μA	

## 6.6 Supply Characteristics (continued)

Over recommended operating conditions with  $T_A = -40^\circ\text{C}$  to  $125^\circ\text{C}$  (unless otherwise noted)

PARAMETER		TEST CONDITIONS		MIN	TYP	MAX	UNIT
$I_{IO}$	IO supply current normal mode	Dominant One channel <sup>(1)</sup>	TXDx = 0 V & TXDy = $V_{IO}$ <sup>(2)</sup> STB1 = STB2 = 5 V RXD floating		150	348	$\mu\text{A}$
		Dominant Two channels	TXD1 = TXD2 = 0 V STB1 = STB2 = 5 V RXD floating		255	600	$\mu\text{A}$
		Recessive Two channels	TXD1 = TXD2 = $V_{IO}$ STB1 = STB2 = 5 V RXD floating		50	96	$\mu\text{A}$
	IO supply current standby mode		TXD1 = TXD2 = $V_{IO}$ STB1 = STB2 = $V_{IO}$ RXD1 = RXD2 = floating		17	27	$\mu\text{A}$
UV <sub>VCC</sub>	Rising under voltage detection on $V_{CC}$ for protected mode			4.2	4.4	V	
UV <sub>VCC</sub>	Falling under voltage detection on $V_{CC}$ for protected mode		3.5	4	4.25	V	
UV <sub>VIO</sub>	Rising under voltage detection on $V_{IO}$			1.56	1.65	V	
UV <sub>VIO</sub>	Falling under voltage detection on $V_{IO}$		1.4	1.51	1.59	V	

- (1) TXD1 and TXD2 are interchangeable for TXDx and TXDy  
(2) CAN1 and CAN2 are interchangeable for CANx and CANy

## 6.7 Dissipation Ratings

PARAMETER		TEST CONDITIONS		MIN	TYP	MAX	UNIT
$P_D$	Average power dissipation one channel Normal mode	$V_{CC} = 5\text{ V}$ , $V_{IO} = 1.8\text{ V}$ , $T_J = 27^\circ\text{C}$ , $R_L = 60\Omega$ , TXD input = 250 kHz 50% duty cycle square wave, $C_{L\_RXD} = 15\text{ pF}$			130		mW
$P_D$	Average power dissipation one channel Normal mode	$V_{CC} = 5\text{ V}$ , $V_{IO} = 3.3\text{ V}$ , $T_J = 27^\circ\text{C}$ , $R_L = 60\Omega$ , TXD input = 250 kHz 50% duty cycle square wave, $C_{L\_RXD} = 15\text{ pF}$			130		mW
$P_D$	Average power dissipation one channel Normal mode	$V_{CC} = 5\text{ V}$ , $V_{IO} = 5\text{ V}$ , $T_J = 27^\circ\text{C}$ , $R_L = 60\Omega$ , TXD input = 250 kHz 50% duty cycle square wave, $C_{L\_RXD} = 15\text{ pF}$			130		mW
$P_D$	Average power dissipation one channel Normal mode	$V_{CC} = 5.5\text{ V}$ , $V_{IO} = 1.8\text{ V}$ , $T_J = 150^\circ\text{C}$ , $R_L = 60\Omega$ , TXD input = 2.5 MHz 50% duty cycle square wave, $C_{L\_RXD} = 15\text{ pF}$			140		mW
$P_D$	Average power dissipation one channel Normal mode	$V_{CC} = 5.5\text{ V}$ , $V_{IO} = 3.3\text{ V}$ , $T_J = 150^\circ\text{C}$ , $R_L = 60\Omega$ , TXD input = 2.5 MHz 50% duty cycle square wave, $C_{L\_RXD} = 15\text{ pF}$			140		mW
$P_D$	Average power dissipation one channel Normal mode	$V_{CC} = 5.5\text{ V}$ , $V_{IO} = 5\text{ V}$ , $T_J = 150^\circ\text{C}$ , $R_L = 60\Omega$ , TXD input = 2.5 MHz 50% duty cycle square wave, $C_{L\_RXD} = 15\text{ pF}$			140		mW
$T_{TSD}$	Thermal shutdown temperature				192		$^\circ\text{C}$
$T_{TSD\_HYS}$	Thermal shutdown hysteresis				10		

## 6.8 Electrical Characteristics

Over recommended operating conditions with  $T_A = -40^\circ\text{C}$  to  $125^\circ\text{C}$  (unless otherwise noted); CAN electrical parameters apply to both channels

PARAMETER		TEST CONDITIONS		MIN	TYP	MAX	UNIT
<b>Driver Electrical Characteristics</b>							
$V_{O(DOM)}$	Dominant output voltage Normal mode	CANH	TXD = 0 V, STB = 0 V, $50\ \Omega \leq R_L \leq 65\ \Omega$ , $C_L = \text{open}$ , $R_{CM} = \text{open}$ See <a href="#">Figure 7-2</a> and <a href="#">Figure 8-3</a> ,	2.75		4.5	V
		CANL		0.5		2.25	V
$V_{O(REC)}$	Recessive output voltage Normal mode	CANH and CANL	TXD = $V_{IO}$ , STB = 0 V, $R_L = \text{open}$ (no load), $R_{CM} = \text{open}$ See <a href="#">Figure 7-2</a> and <a href="#">Figure 8-3</a>	2	$0.5 V_{CC}$	3	V
$V_{SYM}$	Driver symmetry $(V_{O(CANH)} + V_{O(CANL)})/V_{CC}$		STB = 0 V, $R_L = 60\ \Omega$ , $C_{SPLIT} = 4.7\ \text{nF}$ , $C_L = \text{open}$ , $R_{CM} = \text{open}$ , TXD = 250 kHz, 1 MHz, 2.5 MHz See <a href="#">Figure 7-2</a> and <a href="#">Figure 9-2</a>	0.9		1.1	V/V
$V_{SYM\_DC}$	DC output symmetry $(V_{CC} - V_{O(CANH)} - V_{O(CANL)})$		STB = 0 V, $R_L = 60\ \Omega$ , $C_L = \text{open}$ See <a href="#">Figure 7-2</a> and <a href="#">Figure 8-3</a>	-400		400	mV
$V_{OD(DOM)}$	Differential output voltage Normal mode Dominant	CANH - CANL	TXD = 0 V, STB = 0 V, $50\ \Omega \leq R_L \leq 65\ \Omega$ , $C_L = \text{open}$ See <a href="#">Figure 7-2</a> and <a href="#">Figure 8-3</a>	1.5		3	V
			TXD = 0 V, STB = 0 V, $45\ \Omega \leq R_L \leq 70\ \Omega$ , $C_L = \text{open}$ See <a href="#">Figure 7-2</a> and <a href="#">Figure 8-3</a>	1.4		3.3	V
			TXD = 0 V, STB = 0 V, $R_L = 2240\ \Omega$ , $C_L = \text{open}$ See <a href="#">Figure 7-2</a> and <a href="#">Figure 8-3</a>	1.5		5	V
$V_{OD(REC)}$	Differential output voltage Normal mode Recessive	CANH - CANL	TXD = $V_{IO}$ , STB = 0 V, $R_L = 60\ \Omega$ , $C_L = \text{open}$ See <a href="#">Figure 7-2</a> and <a href="#">Figure 8-3</a>	-120		12	mV
			TXD = $V_{IO}$ , STB = 0 V, $R_L = \text{open}$ , $C_L = \text{open}$ See <a href="#">Figure 7-2</a> and <a href="#">Figure 8-3</a>	-50		50	mV
$V_{O(STB)}$	Bus output voltage Standby mode	CANH		-0.1		0.1	V
		CANL	STB = $V_{IO}$ , $R_L = \text{open}$ (no load) See <a href="#">Figure 7-2</a> and <a href="#">Figure 8-3</a>	-0.1		0.1	V
		CANH - CANL		-0.2		0.2	V
$I_{OS(SS\_DOM)}$	Short-circuit steady-state output current, dominant Normal mode		STB = 0 V, $V_{(CANH)} = -15\ \text{V}$ to $40\ \text{V}$ , CANL = open, TXD = 0 V See <a href="#">Figure 7-7</a> and <a href="#">Figure 8-3</a>	-115			mA
			STB = 0 V, $V_{(CANL)} = -15\ \text{V}$ to $40\ \text{V}$ , CANH = open, TXD = 0 V See <a href="#">Figure 7-7</a> and <a href="#">Figure 8-3</a>			115	mA
$I_{OS(SS\_REC)}$	Short-circuit steady-state output current, recessive Normal mode		STB = 0 V, $-27\ \text{V} \leq V_{BUS} \leq 32\ \text{V}$ , where $V_{BUS} = \text{CANH} = \text{CANL}$ , TXD = $V_{IO}$ See <a href="#">Figure 7-7</a> and <a href="#">Figure 8-3</a>	-5		5	mA
<b>Receiver Electrical Characteristics</b>							
$V_{IT}$	Input threshold voltage Normal mode		STB = 0 V, $-12\ \text{V} \leq V_{CM} \leq 12\ \text{V}$ See <a href="#">Figure 7-3</a> , <a href="#">Table 7-1</a> , and <a href="#">Table 8-5</a>	500		900	mV
$V_{IT(STB)}$	Input threshold Standby mode		STB = $V_{IO}$ , $-12\ \text{V} \leq V_{CM} \leq 12\ \text{V}$ See <a href="#">Figure 7-3</a> , <a href="#">Table 7-1</a> , and <a href="#">Table 8-5</a>	400		1150	mV
$V_{DOM}$	Dominant state differential input voltage range Normal mode		STB = 0 V, $-12\ \text{V} \leq V_{CM} \leq 12\ \text{V}$ See <a href="#">Figure 7-3</a> , <a href="#">Table 7-1</a> , and <a href="#">Table 8-5</a>	0.9		9	V
$V_{REC}$	Recessive state differential input voltage range Normal mode		STB = 0 V, $-12\ \text{V} \leq V_{CM} \leq 12\ \text{V}$ See <a href="#">Figure 7-3</a> , <a href="#">Table 7-1</a> , and <a href="#">Table 8-5</a>	-4		0.5	V
$V_{DOM(STB)}$	Dominant state differential input voltage range Standby mode		STB = $V_{IO}$ , $-12\ \text{V} \leq V_{CM} \leq 12\ \text{V}$ See <a href="#">Figure 7-3</a> , <a href="#">Table 7-1</a> , and <a href="#">Table 8-5</a>	1.15		9	V
$V_{REC(STB)}$	Recessive state differential input voltage range Standby mode		STB = $V_{IO}$ , $-12\ \text{V} \leq V_{CM} \leq 12\ \text{V}$ See <a href="#">Figure 7-3</a> , <a href="#">Table 7-1</a> , and <a href="#">Table 8-5</a>	-4		0.4	V
$V_{HYS}$	Hysteresis voltage for input threshold Normal mode		STB = 0 V, $-12\ \text{V} \leq V_{CM} \leq 12\ \text{V}$ See <a href="#">Figure 7-3</a> , <a href="#">Table 7-1</a> , and <a href="#">Table 8-5</a>		100		mV
$V_{CM}$	Common mode range Normal and standby modes		See <a href="#">Figure 7-3</a> and <a href="#">Table 8-5</a>	-12		12	V
$I_{LKG(IOFF)}$	Unpowered bus input leakage current		CANH = CANL = 5 V, $V_{CC} = V_{IO} = \text{GND}$			5	$\mu\text{A}$

## 6.8 Electrical Characteristics (continued)

Over recommended operating conditions with  $T_A = -40^\circ\text{C}$  to  $125^\circ\text{C}$  (unless otherwise noted); CAN electrical parameters apply to both channels

PARAMETER		TEST CONDITIONS	MIN	TYP	MAX	UNIT
$C_I$	Input capacitance to ground (CANH or CANL)	TXD = $V_{IO}^{(1)}$			20	pF
$C_{ID}$	Differential input capacitance				10	pF
$R_{ID}$	Differential input resistance	TXD = $V_{IO}^{(1)}$ , STB = 0 V, $-12\text{ V} \leq V_{CM} \leq 12\text{ V}$	40		90	k $\Omega$
$R_{IN}$	Single ended input resistance (CANH or CANL)		20		45	k $\Omega$
<b>TXD Terminal (CAN Transmit Data Input)</b>						
$V_{IH}$	High-level input voltage		0.7 $V_{IO}$			V
$V_{IL}$	Low-level input voltage				0.3 $V_{IO}$	V
$I_{IH}$	High-level input leakage current	TXD = $V_{CC} = V_{IO} = 5.5\text{ V}$	-2.5	0	1	$\mu\text{A}$
$I_{IL}$	Low-level input leakage current	TXD = 0 V, $V_{CC} = V_{IO} = 5.5\text{ V}$	-200	-100	-20	$\mu\text{A}$
$I_{LKG(OFF)}$	Unpowered leakage current	TXD = 5.5 V, $V_{CC} = V_{IO} = 0\text{ V}$	-1	0	1	$\mu\text{A}$
<b>RXD Terminal (CAN Receive Data Output)</b>						
$V_{OH}$	High-level output voltage	$I_O = -2\text{ mA}$ , See Figure 7-3	0.8 $V_{IO}$			V
$V_{OL}$	Low-level output voltage	$I_O = -2\text{ mA}$ , See Figure 7-3			0.2 $V_{IO}$	V
<b>STB Terminal (Standby Mode Input)</b>						
$V_{IH}$	High-level input voltage		0.7 $V_{IO}$			V
$V_{IL}$	Low-level input voltage				0.3 $V_{IO}$	V
$I_{IH}$	High-level input leakage current	$V_{CC} = V_{IO} = \text{STB} = 5.5\text{ V}$	-2		2	$\mu\text{A}$
$I_{IL}$	Low-level input leakage current	$V_{CC} = V_{IO} = 5.5\text{ V}$ , STB = 0 V	-20		-2	$\mu\text{A}$
$I_{LKG(OFF)}$	Unpowered leakage current	STB = 5.5V, $V_{CC} = V_{IO} = 0\text{ V}$	-1	0	1	$\mu\text{A}$

(1)  $V_{IO} = V_{CC}$  in non-V variants of device

## 6.9 Switching Characteristics

Over recommended operating conditions with  $T_A = -40^\circ\text{C}$  to  $125^\circ\text{C}$  (unless otherwise noted); Timing parameters apply to both CAN channels

PARAMETER		TEST CONDITIONS	MIN	TYP	MAX	UNIT
<b>Device Switching Characteristics</b>						
$t_{PROP(LOOP1)}$	Total loop delay, driver input (TXD) to receiver output (RXD), recessive to dominant	Normal mode, $R_L = 60\ \Omega$ , $C_L = 100\text{ pF}$ , $C_{L(RXD)} = 15\text{ pF}$ $V_{IO} = 2.8\text{ V to }5.5\text{ V}$ See Figure 7-4		125	210	ns
$t_{PROP(LOOP1)}$	Total loop delay, driver input (TXD) to receiver output (RXD), recessive to dominant	Normal mode, $R_L = 60\ \Omega$ , $C_L = 100\text{ pF}$ , $C_{L(RXD)} = 15\text{ pF}$ $V_{IO} = 1.7\text{ V}$ See Figure 7-4		165	255	ns
$t_{PROP(LOOP2)}$	Total loop delay, driver input (TXD) to receiver output (RXD), dominant to recessive	Normal mode, $R_L = 60\ \Omega$ , $C_L = 100\text{ pF}$ , $C_{L(RXD)} = 15\text{ pF}$ $V_{IO} = 2.8\text{ V to }5.5\text{ V}$ See Figure 7-4		150	210	ns
$t_{PROP(LOOP2)}$	Total loop delay, driver input (TXD) to receiver output (RXD), dominant to recessive	Normal mode, $R_L = 60\ \Omega$ , $C_L = 100\text{ pF}$ , $C_{L(RXD)} = 15\text{ pF}$ $V_{IO} = 1.7\text{ V}$ See Figure 7-4		180	255	ns
$t_{MODE}$	Mode change time, from normal to standby or from standby to normal	See Figure 7-5			20	$\mu\text{s}$
$t_{WK\_FILTER}$	Filter time for a valid wake-up pattern	See Figure 8-5	0.5		1.8	$\mu\text{s}$
$t_{WK\_TIMEOUT}$	Bus wake-up timeout	See Figure 8-5	0.8		6	ms
<b>Driver Switching Characteristics</b>						

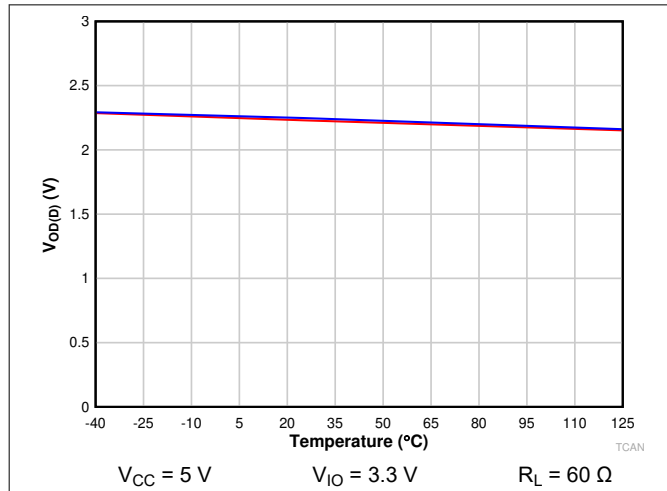


## 6.9 Switching Characteristics (continued)

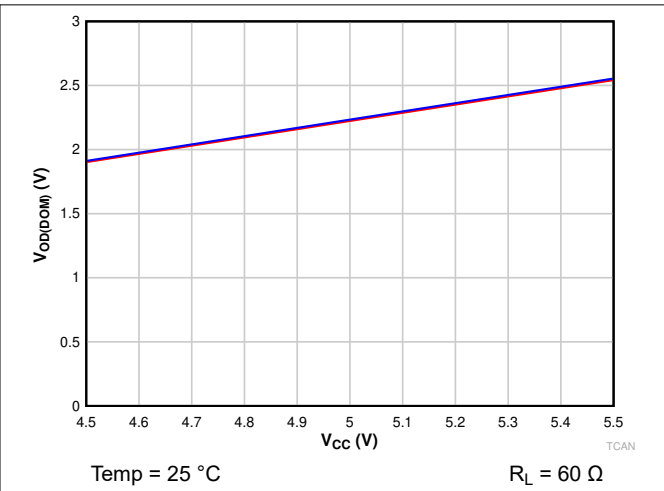
Over recommended operating conditions with  $T_A = -40^{\circ}\text{C}$  to  $125^{\circ}\text{C}$  (unless otherwise noted); Timing parameters apply to both CAN channels

PARAMETER		TEST CONDITIONS	MIN	TYP	MAX	UNIT
$t_{pHR}$	Propagation delay time, high TXD to driver recessive (dominant to recessive)	STB = 0 V, $R_L = 60\ \Omega$ , $C_L = 100\ \text{pF}$ See <a href="#">Figure 7-2</a> and <a href="#">Figure 7-6</a>		80		ns
$t_{pLD}$	Propagation delay time, low TXD to driver dominant (recessive to dominant)			70		ns
$t_{sk(p)}$	Pulse skew ( $ t_{pHR} - t_{pLD} $ )			20		ns
$t_R$	Differential output signal rise time			30		ns
$t_F$	Differential output signal fall time			50		ns
$t_{TXD\_DTO}$	Dominant timeout			1.2		4.0
<b>Receiver Switching Characteristics</b>						
$t_{pRH}$	Propagation delay time, bus recessive input to high output (dominant to recessive)	STB = 0 V, $C_{L(RXD)} = 15\ \text{pF}$ See <a href="#">Figure 7-3</a>		90		ns
$t_{pDL}$	Propagation delay time, bus dominant input to low output (recessive to dominant)			65		ns
$t_R$	RXD output signal rise time			10		ns
$t_F$	RXD output signal fall time			10		ns
<b>FD Timing Characteristics</b>						
$t_{BIT(BUS)}$	Bit time on CAN bus output pins $t_{BIT(TXD)} = 500\ \text{ns}$	STB = 0 V, $R_L = 60\ \Omega$ , $C_L = 100\ \text{pF}$ , $C_{L(RXD)} = 15\ \text{pF}$ $\Delta t_{REC} = t_{BIT(RXD)} - t_{BIT(BUS)}$ See <a href="#">Figure 7-4</a>	450		530	ns
$t_{BIT(BUS)}$	Bit time on CAN bus output pins $t_{BIT(TXD)} = 200\ \text{ns}$		155		210	ns
$t_{BIT(RXD)}$	Bit time on RXD output pins $t_{BIT(TXD)} = 500\ \text{ns}$		400		550	ns
$t_{BIT(RXD)}$	Bit time on RXD output pins $t_{BIT(TXD)} = 200\ \text{ns}$		120		220	ns
$t_{REC}$	Receiver timing symmetry $t_{BIT(TXD)} = 500\ \text{ns}$		-50		20	ns
$t_{REC}$	Receiver timing symmetry $t_{BIT(TXD)} = 200\ \text{ns}$		-45		15	ns

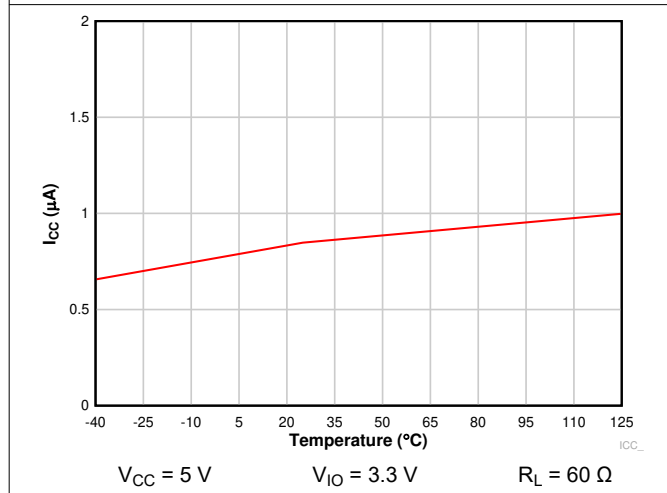
## 6.10 Typical Characteristics



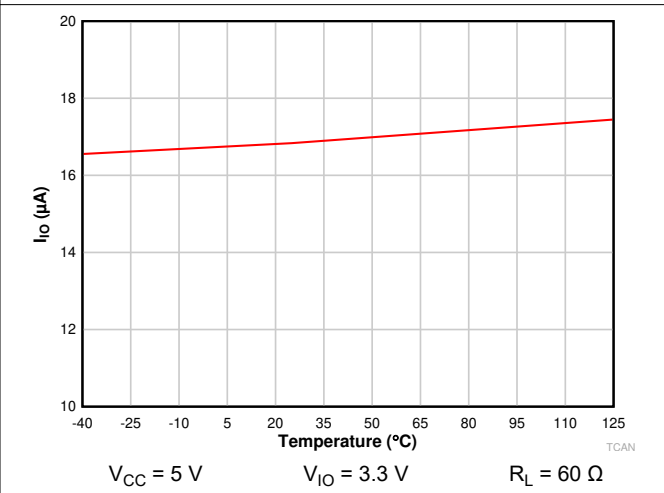
**Figure 6-1.  $V_{OD(DOM)}$  Over Temperature  $V_{OD(DOM)}$  vs  $V_{CC}$  Transceiver 1 and Transceiver 2**



**Figure 6-2.  $V_{OD(DOM)}$  Over  $V_{CC}$   $V_{OD(DOM)}$  vs  $V_{CC}$  Transceiver 1 and Transceiver 2**

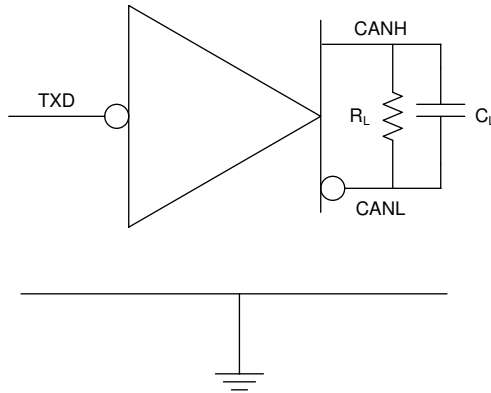


**Figure 6-3.  $I_{CC}$  Standby vs Temperature**

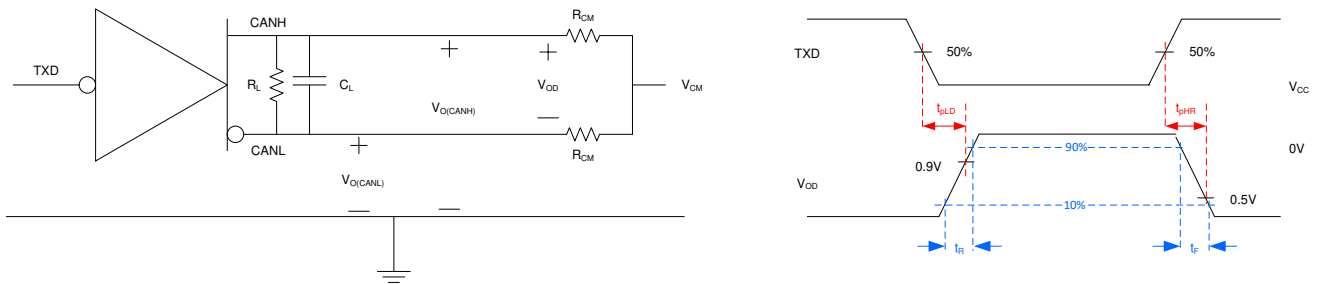


**Figure 6-4.  $I_{IO}$  Standby vs Temperature**

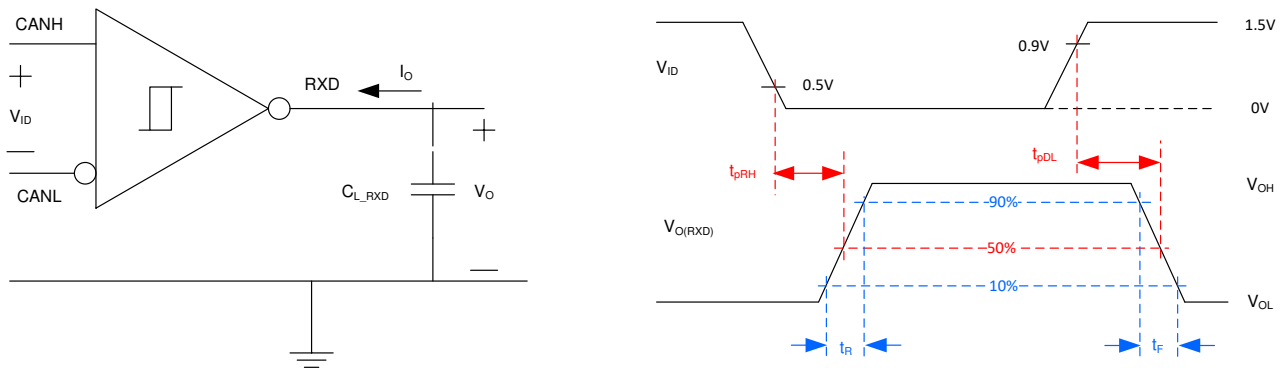
## 7 Parameter Measurement Information



**Figure 7-1.  $I_{CC}$  Test Circuit**



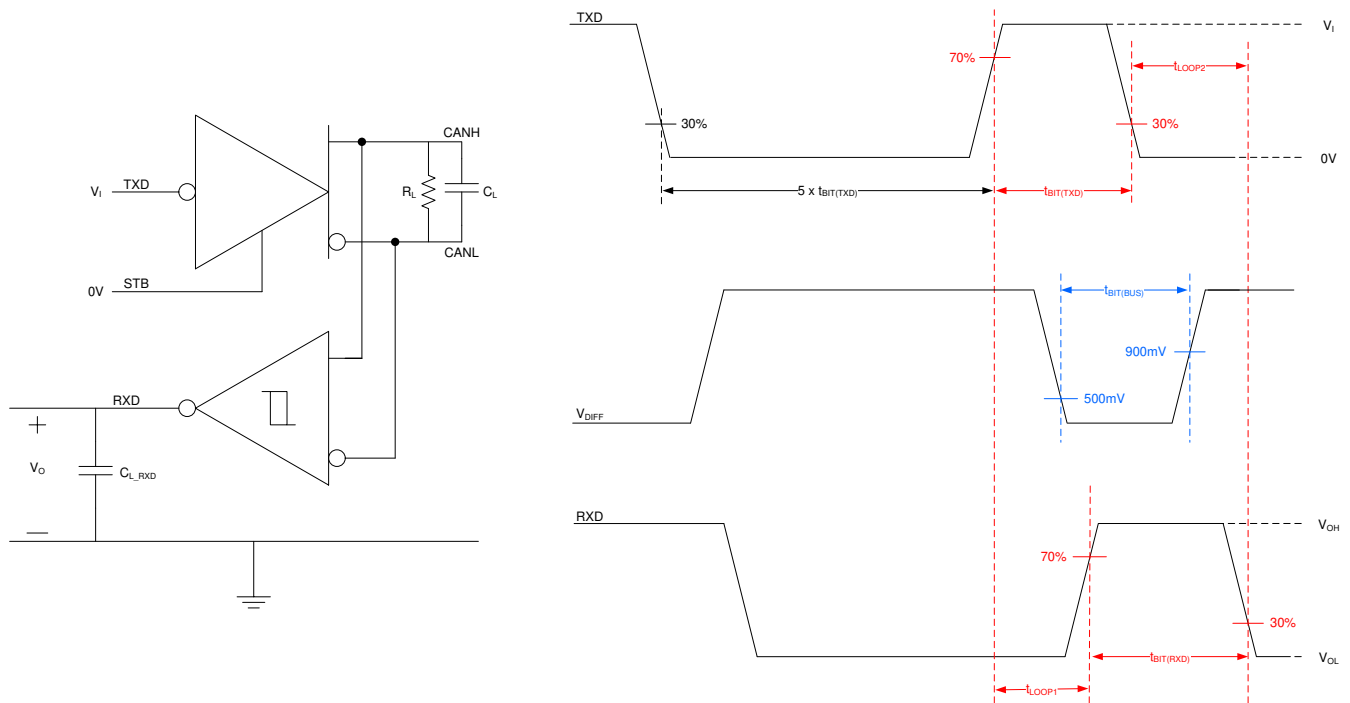
**Figure 7-2. Driver Test Circuit and Measurement**



**Figure 7-3. Receiver Test Circuit and Measurement**

**Table 7-1. Receiver Differential Input Voltage Threshold Test**

Input (See Figure 7-3)			Output	
$V_{CANH}$	$V_{CANL}$	$ V_{ID} $	RXD	
-11.5 V	-12.5 V	1000 mV	Low	$V_{OL}$
12.5 V	11.5 V	1000 mV		
-8.55 V	-9.45 V	900 mV		
9.45 V	8.55 V	900 mV		
-8.75 V	-9.25 V	500 mV	High	$V_{OH}$
9.25 V	8.75 V	500 mV		
-11.8 V	-12.2 V	400 mV		
12.2 V	11.8 V	400 mV		
Open	Open	X		



**Figure 7-4. Transmitter and Receiver Timing Test Circuit and Measurement**

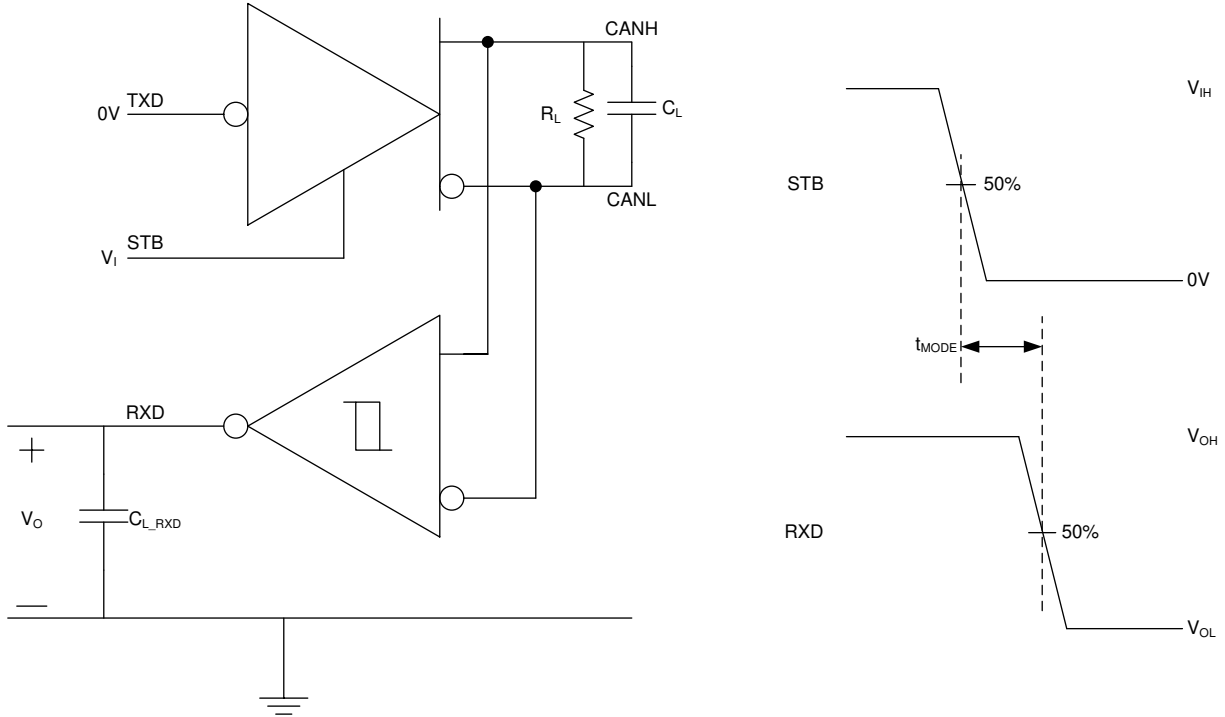


Figure 7-5. TCAN1046V-Q1  $t_{MODE}$  Test Circuit and Measurement

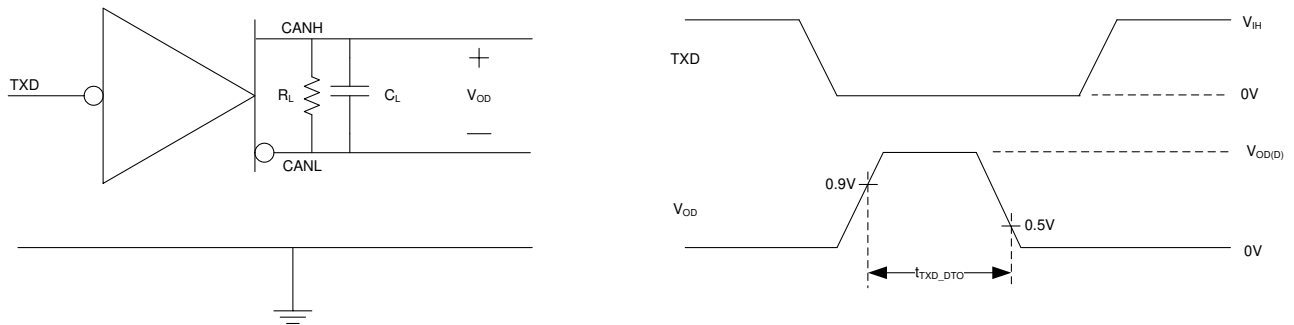


Figure 7-6. TXD Dominant Timeout Test Circuit and Measurement

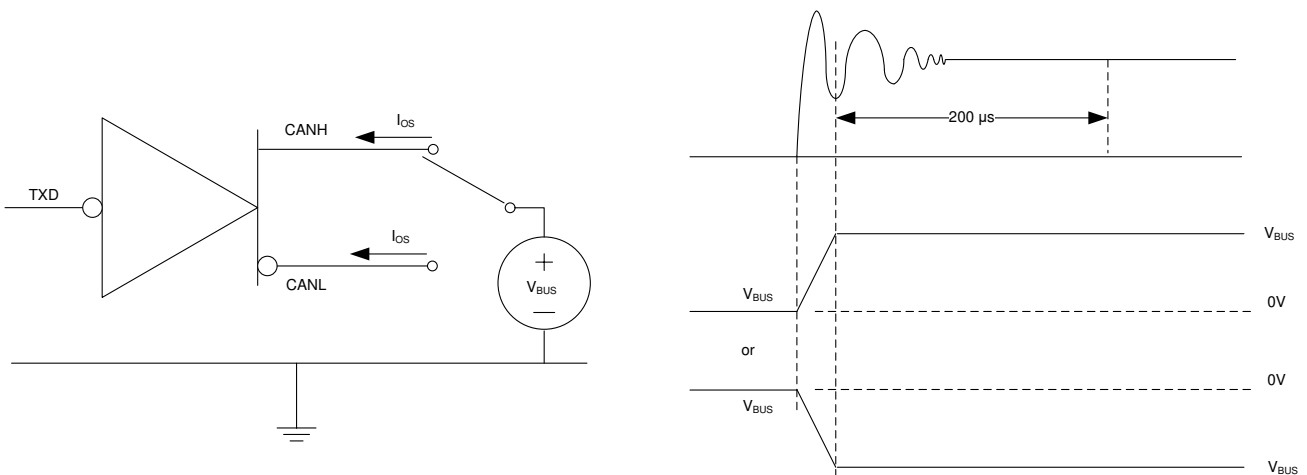


Figure 7-7. Driver Short-Circuit Current Test and Measurement

## 8 Detailed Description

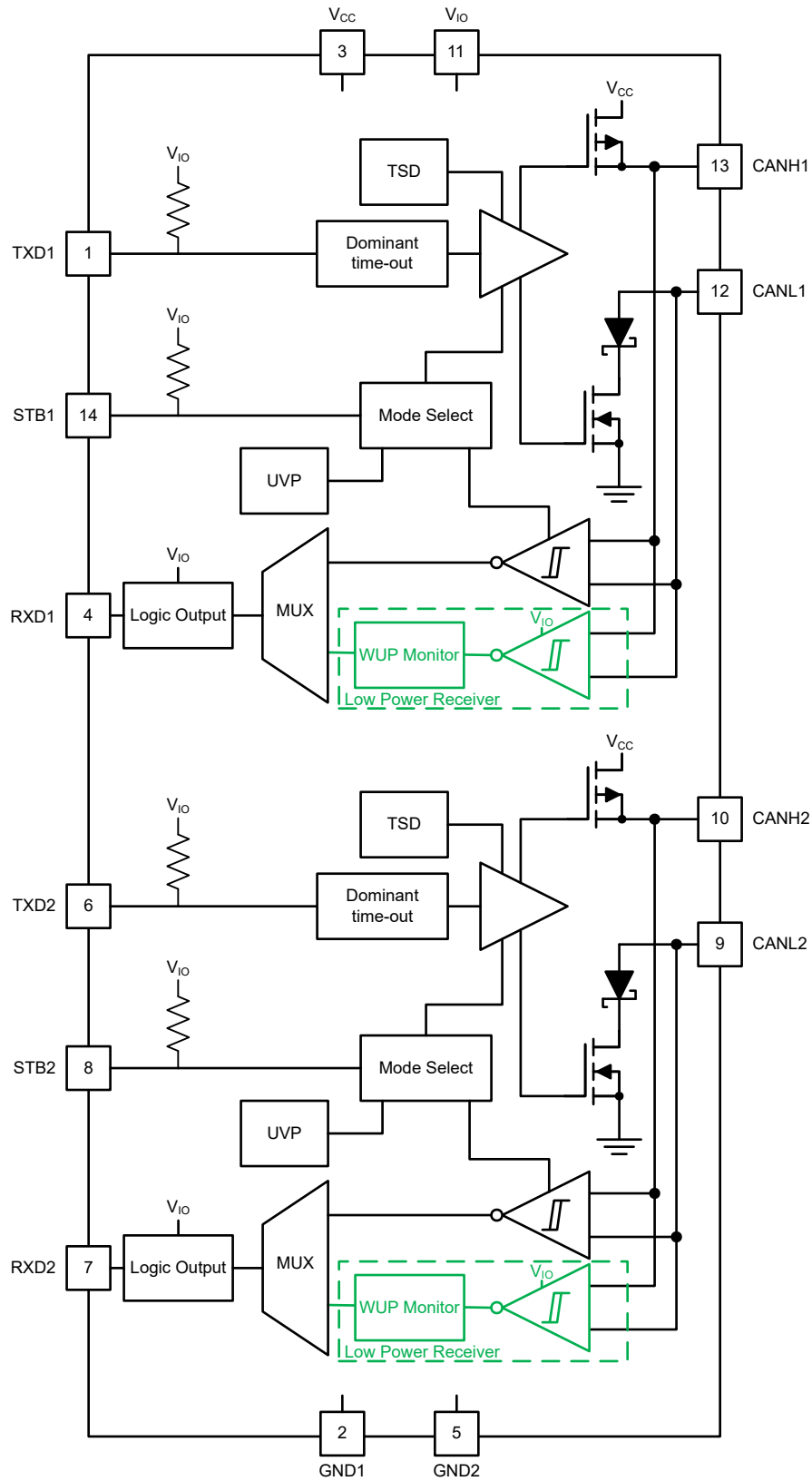
### 8.1 Overview

The TCAN1046V-Q1 meets or exceeds the specifications of the ISO 11898-2:2016 high speed CAN (Controller Area Network) physical layer standard. The device has been certified to the requirements of ISO 11898-2:2016 and ISO 11898-5:2007 physical layer requirements according to the GIFT/ICT high speed CAN test specification. The transceiver provides a number of different protection features making it ideal for the stringent automotive system requirements while also supporting CAN FD data rates up to 8 Mbps.

The TCAN1046V-Q1 conforms to the following CAN standards:

- CAN transceiver physical layer standards:
  - ISO 11898-2:2016 High speed medium access unit
  - ISO 11898-5:2007 High speed medium access unit with low-power mode
  - SAE J2284-1: High Speed CAN (HSC) for Vehicle Applications at 125 kbps
  - SAE J2284-2: High Speed CAN (HSC) for Vehicle Applications at 250 kbps
  - SAE J2284-3: High Speed CAN (HSC) for Vehicle Applications at 500 kbps
  - SAE J2284-4: High-Speed CAN (HSC) for Vehicle Applications at 500 kbps with CAN FD Data at 2 Mbps
  - SAE J2284-5: High-Speed CAN (HSC) for Vehicle Applications at 500 kbps with CAN FD Data at 5 Mbps
  - ARINC 825-4 General Standardization of CAN (Controller Area Network) Bus Protocol For Airborne Use
- Conformance test requirements:
  - ISO 16845-2 Road vehicles – Controller area network (CAN) conformance test plan Part 2: High-speed medium access unit conformance test plan

## 8.2 Functional Block Diagram



**Figure 8-1. Block Diagram**

## 8.3 Feature Description

### 8.3.1 Pin Description

#### 8.3.1.1 TXD1 and TXD2

TXD1 and TXD2 are the logic-level signals, referenced to either  $V_{CC}$  or  $V_{IO}$ , from a CAN controller to the device.

#### 8.3.1.2 GND1 and GND2

GND1 and GND2 are ground pins of the transceiver, both must be connected to the PCB ground.

#### 8.3.1.3 $V_{CC}$

$V_{CC}$  provides the 5-V power supply to the CAN transceiver.

#### 8.3.1.4 RXD1 and RXD2

RXD1 and RXD2 are the logic-level signals, referenced to  $V_{IO}$ , from the TCAN1046V-Q1 to a CAN controller. This pin is only driven once  $V_{IO}$  is present.

#### 8.3.1.5 $V_{IO}$

The  $V_{IO}$  pin provides the digital I/O voltage to match the CAN controller voltage thus avoiding the requirement for a level shifter. It supports voltages from 1.7 V to 5.5 V providing the widest range of controller support.

#### 8.3.1.6 CANH and CANL

These are the CAN high and CAN low differential bus pins. These pins are connected to the CAN transceiver and the low-voltage WUP CAN receiver.

#### 8.3.1.7 STB1 and STB2 (Standby)

The STB1 and STB2 pins are input pins used for mode control of the transceiver.

The TCAN1046V-Q1 implements STB1 and STB2 which can be supplied from either the system processor or from a static system voltage source. If normal mode is the only intended mode of operation than the STB pins can be tied directly to GND.

### 8.3.2 CAN Bus States

The CAN bus has two logical states during operation: recessive and dominant. See [Figure 8-2](#) and [Figure 8-3](#).

A dominant bus state occurs when the bus is driven differentially and corresponds to a logic low on the TXD1, TXD2, RXD1 and RXD2 pins. A recessive bus state occurs when the bus is biased to  $V_{CC}/2$  via the high-resistance internal input resistors  $R_{IN}$  of the receiver and corresponds to a logic high on the TXD1, TXD2, RXD1 and RXD2 pins.

A dominant state overwrites the recessive state during arbitration. Multiple CAN nodes may be transmitting a dominant bit at the same time during arbitration, and in this case the differential voltage of the bus is greater than the differential voltage of a single driver.

The TCAN1046V-Q1 transceiver implements a low-power standby (STB) mode which enables a third bus state where the bus pins are weakly biased to ground via the high resistance internal resistors of the receiver. See [Figure 8-2](#) and [Figure 8-3](#).



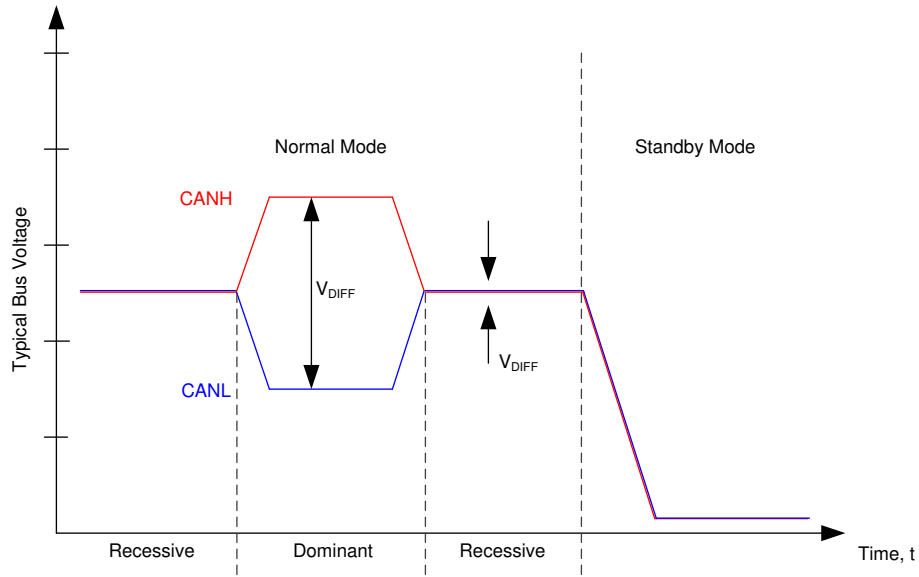
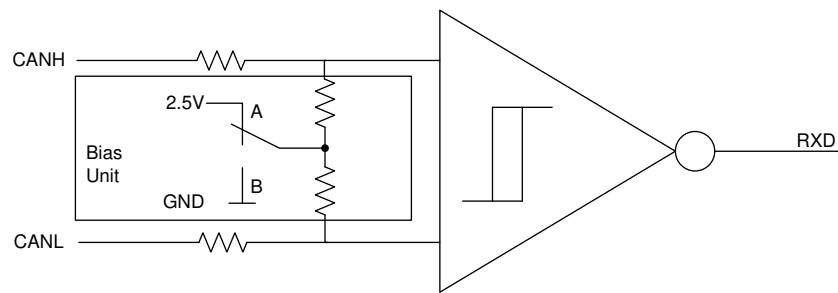


Figure 8-2. Bus States



- A. Normal Mode
- B. Standby Mode

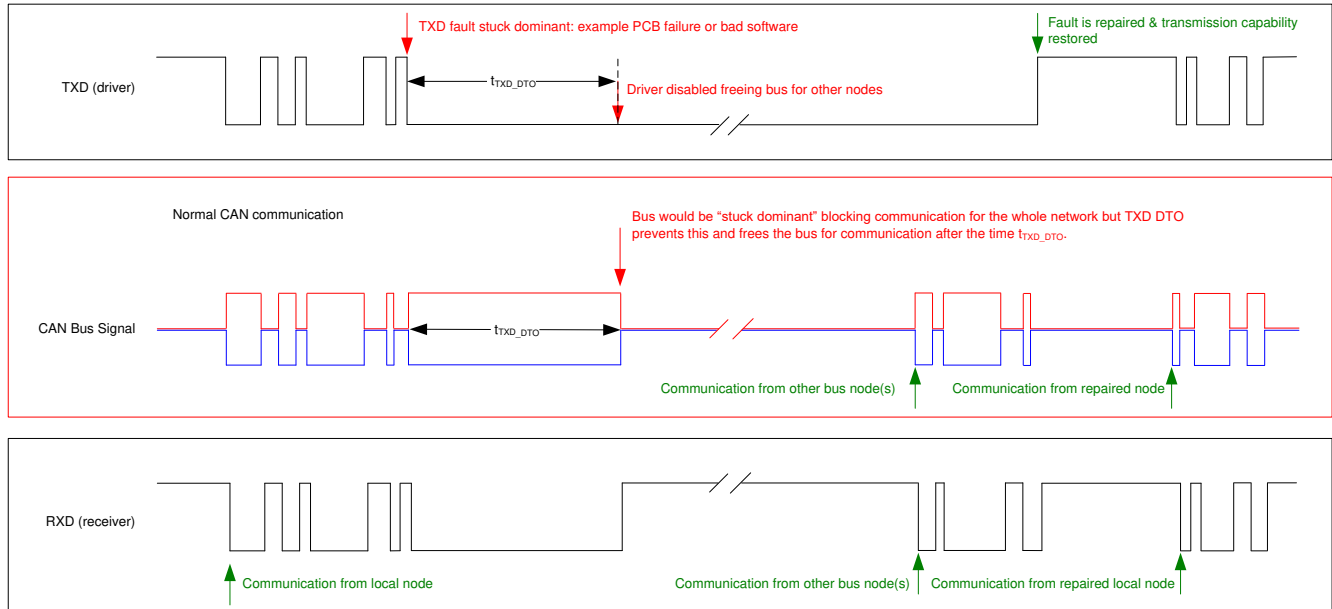
Figure 8-3. Simplified Recessive Common Mode Bias Unit and Receiver

### 8.3.3 TXD Dominant Timeout (DTO)

During normal mode, the only mode where the CAN driver is active, the TXD DTO circuit prevents the local node from blocking network communication in the event of a hardware or software failure where TXD is held dominant longer than the timeout period  $t_{TXD\_DTO}$ . The TXD DTO circuit is triggered by a falling edge on TXD. If no rising edge is seen before the timeout period of the circuit,  $t_{TXD\_DTO}$ , the CAN driver is disabled. This frees the bus for communication between other nodes on the network. The CAN driver is reactivated when a recessive signal is seen on the TXD pin, thus clearing the dominant timeout. The receiver remains active and biased to  $V_{CC}/2$  and the RXD output reflects the activity on the CAN bus during the TXD DTO fault.

The minimum dominant TXD time allowed by the TXD DTO circuit limits the minimum possible transmitted data rate of the device. The CAN protocol allows a maximum of eleven successive dominant bits (on TXD) for the worst case, where five successive dominant bits are followed immediately by an error frame. The minimum transmitted data rate may be calculated using Equation 1.

$$\text{Minimum Data Rate} = 11 \text{ bits} / t_{TXD\_DTO} = 11 \text{ bits} / 1.2 \text{ ms} = 9.2 \text{ kbps} \quad (1)$$



**Figure 8-4. Example Timing Diagram for TXD Dominant Timeout**

### 8.3.4 CAN Bus Short Circuit Current Limiting

The TCAN1046V-Q1 has several protection features that limit the short circuit current when a CAN bus line is shorted. These include CAN driver current limiting in the dominant and recessive states and TXD dominant state timeout which prevents permanently having the higher short circuit current of a dominant state in case of a system fault. During CAN communication the bus switches between the dominant and recessive states, thus the short circuit current may be viewed as either the current during each bus state or as a DC average current. When selecting termination resistors or a common mode choke for the CAN design the average power rating,  $I_{OS(AVG)}$ , should be used. The percentage dominant is limited by the TXD DTO and the CAN protocol which has forced state changes and recessive bits due to bit stuffing, control fields, and interframe space. These ensure there is a minimum amount of recessive time on the bus even if the data field contains a high percentage of dominant bits.

The average short circuit current of the bus depends on the ratio of recessive to dominant bits and their respective short circuit currents. The average short circuit current may be calculated using [Equation 2](#).

$$I_{OS(AVG)} = \% \text{ Transmit} \times [(\% \text{ REC\_Bits} \times I_{OS(SS)\_REC}) + (\% \text{ DOM\_Bits} \times I_{OS(SS)\_DOM})] + [\% \text{ Receive} \times I_{OS(SS)\_REC}] \quad (2)$$

Where:

- $I_{OS(AVG)}$  is the average short circuit current
- % Transmit is the percentage the node is transmitting CAN messages
- % Receive is the percentage the node is receiving CAN messages
- % REC\_Bits is the percentage of recessive bits in the transmitted CAN messages
- % DOM\_Bits is the percentage of dominant bits in the transmitted CAN messages
- $I_{OS(SS)\_REC}$  is the recessive steady state short circuit current
- $I_{OS(SS)\_DOM}$  is the dominant steady state short circuit current

This short circuit current and the possible fault cases of the network should be taken into consideration when sizing the power supply used to generate the transceivers  $V_{CC}$  supply.

### 8.3.5 Thermal Shutdown (TSD)

If the junction temperature of the TCAN1046V-Q1 exceeds the thermal shutdown threshold,  $T_{TSD}$ , the device turns off the CAN driver circuitry and blocks the TXD to bus transmission path. The shutdown condition is cleared when the junction temperature of the device drops below  $T_{TSD}$ . The CAN bus pins are biased to  $V_{CC}/2$  during a TSD fault and the receiver to RXD path remains operational. The TCAN1046V-Q1 TSD circuit includes hysteresis which prevents the CAN driver output from oscillating during a TSD fault.

### 8.3.6 Undervoltage Lockout

The supply pins,  $V_{CC}$  and  $V_{IO}$ , have undervoltage detection that places the device into a protected state. This protects the bus during an undervoltage event on either supply pin.

**Table 8-1. Undervoltage Lockout - TCAN1046V-Q1**

$V_{CC}$	$V_{IO}$	DEVICE STATE	BUS	RXD PIN
$> UV_{VCC}$	$> UV_{VIO}$	Normal	Per TXD	Mirrors bus
$< UV_{VCC}$	$> UV_{VIO}$	STB = $V_{IO}$ : Standby mode	High impedance Weak pull-down to ground <sup>(1)</sup>	$V_{IO}$ : Remote wake request <sup>(2)</sup>
		STB = GND: Protected mode		Recessive
$> UV_{VCC}$	$< UV_{VIO}$	Protected		High impedance
$< UV_{VCC}$	$< UV_{VIO}$	Protected		High impedance

(1)  $V_{CC} = GND$ , see  $I_{LKG(OFF)}$

(2) See [Section 8.4.3.1](#)

Once the undervoltage condition is cleared and  $t_{MODE}$  has expired the TCAN1046V-Q1 transitions to normal mode and the host controller can send and receive CAN traffic again.

### 8.3.7 Unpowered Device

The TCAN1046V-Q1 is designed to be an ideal passive or no load to the CAN bus if the device is unpowered. The bus pins were designed to have low leakage currents when the device is unpowered, so they do not load the bus. This is critical if some nodes of the network are unpowered while the rest of the of network remains operational.

The logic pins also have low leakage currents when the device is unpowered, so they do not load other circuits which may remain powered.

### 8.3.8 Floating pins

The TCAN1046V-Q1 has internal pull-ups or pull-downs on critical pins which place the device into known states if the pin floats. This internal bias should not be relied upon by design though, especially in noisy environments, but instead should be considered a failsafe protection feature.

When a CAN controller supporting open-drain outputs is used an adequate external pull-up resistor must be chosen. This ensures that the TXD output of the CAN controller maintains acceptable bit time to the input of the CAN transceiver. See [Table 8-2](#) for details on pin bias conditions.

**Table 8-2. Pin Bias**

Pin	Pull-up or Pull-down	Comment
TXD1 and TXD2	Pull-up	Weakly biases TXD1 and TXD2 towards recessive to prevent bus blockage or TXD DTO triggering
STB1 and STB2	Pull-up	Weakly biases STB1 and STB2 towards low-power standby mode to prevent excessive system power

## 8.4 Device Functional Modes

### 8.4.1 Operating Modes

The TCAN1046V-Q1 has two main operating modes; normal mode and standby mode. Operating mode selection is made by applying a high or low level to the STB pin on the device.

**Table 8-3. Operating Modes**

STB	Device Mode	Driver	Receiver	RXD Pin
High	Standby mode	Disabled	Low-power receiver with bus monitor enable	High (recessive) until valid WUP is received See section 8.3.3.1
Low	Normal Mode	Enabled	Enabled	Mirrors bus state

### 8.4.2 Normal Mode

This is the normal operating mode of the TCAN1046V-Q1. The CAN driver and receiver are fully operational and CAN communication is bi-directional. The driver is translating a digital input on the TXD1 and TXD2 inputs to a differential output on the CANH1, CANL1 and CANH2, CANL2 bus pins. The receiver is translating the differential signal from CANH1, CANL1 and CANH2, CANL2 to a digital output on the RXD1 and RXD2 outputs.

### 8.4.3 Standby Mode

This is the low-power mode of the TCAN1046V-Q1. The CAN driver and main receiver are switched off and bi-directional CAN communication is not possible. The low-power receiver and bus monitor circuits are enabled to allow for RXD wake-up requests via the CAN bus. A wake-up request is output to RXD1 or RXD2 depending on the channel which received the WUP as shown in [Figure 8-5](#). The local CAN protocol controller should monitor RXD1 and RXD2 for transitions (high-to-low) and reactivate the device to normal mode by pulling the STB1 and STB2 pin low. The CAN bus pins are weakly pulled to GND in this mode; see [Figure 8-2](#) and [Figure 8-3](#).

In standby mode, only the  $V_{IO}$  supply is required therefore the  $V_{CC}$  may be switched off for additional system level current savings.

#### 8.4.3.1 Remote Wake Request via Wake-Up Pattern (WUP) in Standby Mode

The TCAN1046V-Q1 supports a remote wake-up request that is used to indicate to the host controller that the bus is active and the node should return to normal operation.

The device uses the multiple filtered dominant wake-up pattern (WUP) from the ISO 11898-2:2016 standard to qualify bus activity. Once a valid WUP has been received, the wake request is indicated to the controller by a falling edge and low period corresponding to a filtered dominant on the RXD1 or RXD2 output of the TCAN1046V-Q1.

The WUP consists of a filtered dominant pulse, followed by a filtered recessive pulse, and finally by a second filtered dominant pulse. The first filtered dominant initiates the WUP, and the bus monitor then waits on a filtered recessive; other bus traffic does not reset the bus monitor. Once a filtered recessive is received the bus monitor is waiting for a filtered dominant and again, other bus traffic does not reset the bus monitor. Immediately upon reception of the second filtered dominant the bus monitor recognizes the WUP and drives the RXD1 or RXD2 output low every time an additional filtered dominant signal is received from the bus.

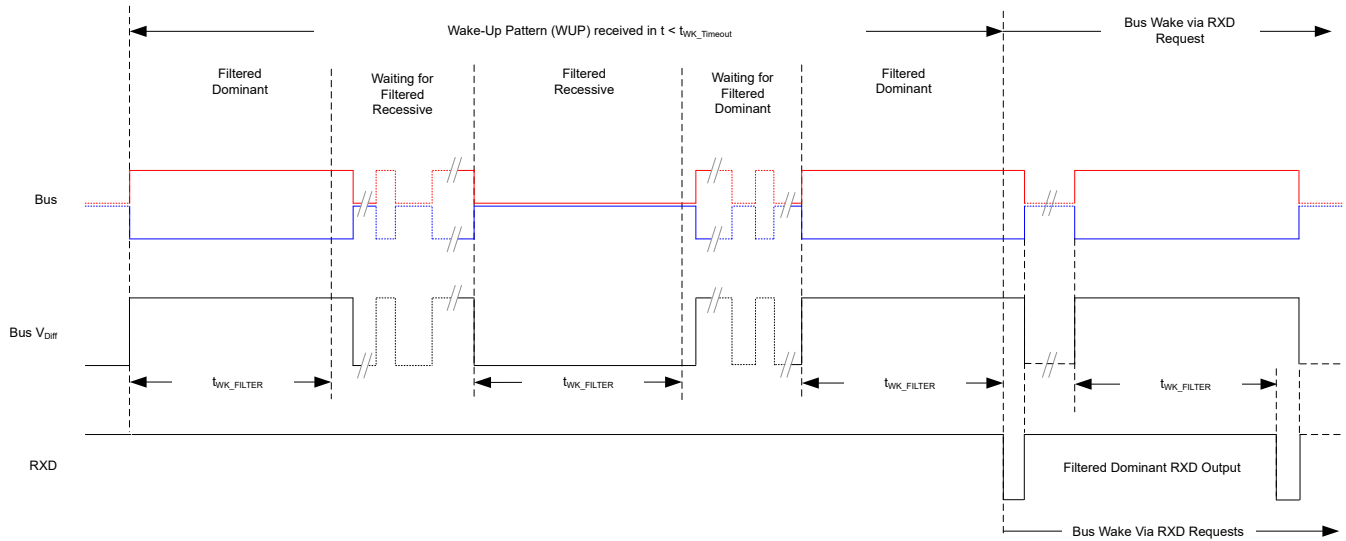
For a dominant or recessive to be considered filtered, the bus must be in that state for more than the  $t_{WK\_FILTER}$  time. Due to variability in  $t_{WK\_FILTER}$  the following scenarios are applicable. Bus state times less than  $t_{WK\_FILTER(MIN)}$  are never detected as part of a WUP and thus no wake request is generated. Bus state times between  $t_{WK\_FILTER(MIN)}$  and  $t_{WK\_FILTER(MAX)}$  may be detected as part of a WUP and a wake-up request may be generated. Bus state times greater than  $t_{WK\_FILTER(MAX)}$  are always detected as part of a WUP, and thus a wake request is always generated. See [Figure 8-5](#) for the timing diagram of the wake-up pattern.

The pattern and  $t_{WK\_FILTER}$  time used for the WUP prevents noise and bus stuck dominant faults from causing false wake-up requests while allowing any valid message to initiate a wake-up request.

The ISO 11898-2:2016 standard has defined times for a short and long wake-up filter time. The  $t_{WK\_FILTER}$  timing for the device has been picked to be within the minimum and maximum values of both filter ranges. This timing has been chosen such that a single bit time at 500 kbps, or two back-to-back bit times at 1 Mbps triggers the filter in either bus state. Any CAN frame at 500 kbps or less would contain a valid WUP.

For an additional layer of robustness and to prevent false wake-ups, the device implements a wake-up timeout feature. For a remote wake-up event to successfully occur, the entire WUP must be received within the timeout

value  $t \leq t_{WK\_TIMEOUT}$ . If not, the internal logic is reset and the transceiver remains in its current state without waking up. The full pattern must then be transmitted again, conforming to the constraints mentioned in this section. See [Figure 8-5](#) for the timing diagram of the wake-up pattern with wake timeout feature.



**Figure 8-5. Wake-Up Pattern (WUP) with  $t_{WK\_TIMEOUT}$**

#### 8.4.4 Driver and Receiver Function

The digital logic input and output levels for the TCAN1046V-Q1 are CMOS levels with respect to  $V_{IO}$  for compatibility with protocol controllers having 1.8 V, 2.5 V, 3.3 V, or 5 V I/O levels.

**Table 8-4. Driver Function Table**

Device Mode	TXD Input <sup>(1)</sup>	Bus Outputs		Driven Bus State <sup>(2)</sup>
		CANH	CANL	
Normal	Low	High	Low	Dominant
	High or open	High impedance	High impedance	Biased recessive
Standby	X	High impedance	High impedance	Biased to ground

(1) X = irrelevant

(2) For bus state and bias see [Figure 8-2](#) and [Figure 8-3](#)

**Table 8-5. Receiver Function Table Normal and Standby Mode**

Device Mode	CAN Differential Inputs $V_{ID} = V_{CANH} - V_{CANL}$	Bus State	RXD Pin
Normal	$V_{ID} \geq 0.9 \text{ V}$	Dominant	Low
	$0.5 \text{ V} < V_{ID} < 0.9 \text{ V}$	Undefined	Undefined
	$V_{ID} \leq 0.5 \text{ V}$	Recessive	High
Standby	$V_{ID} \geq 1.15 \text{ V}$	Dominant	High Low if a remote wake event occurred See <a href="#">Figure 8-5</a>
	$0.4 \text{ V} < V_{ID} < 1.15 \text{ V}$	Undefined	
	$V_{ID} \leq 0.4 \text{ V}$	Recessive	
Any	Open ( $V_{ID} \approx 0 \text{ V}$ )	Open	High

## 9 Application and Implementation

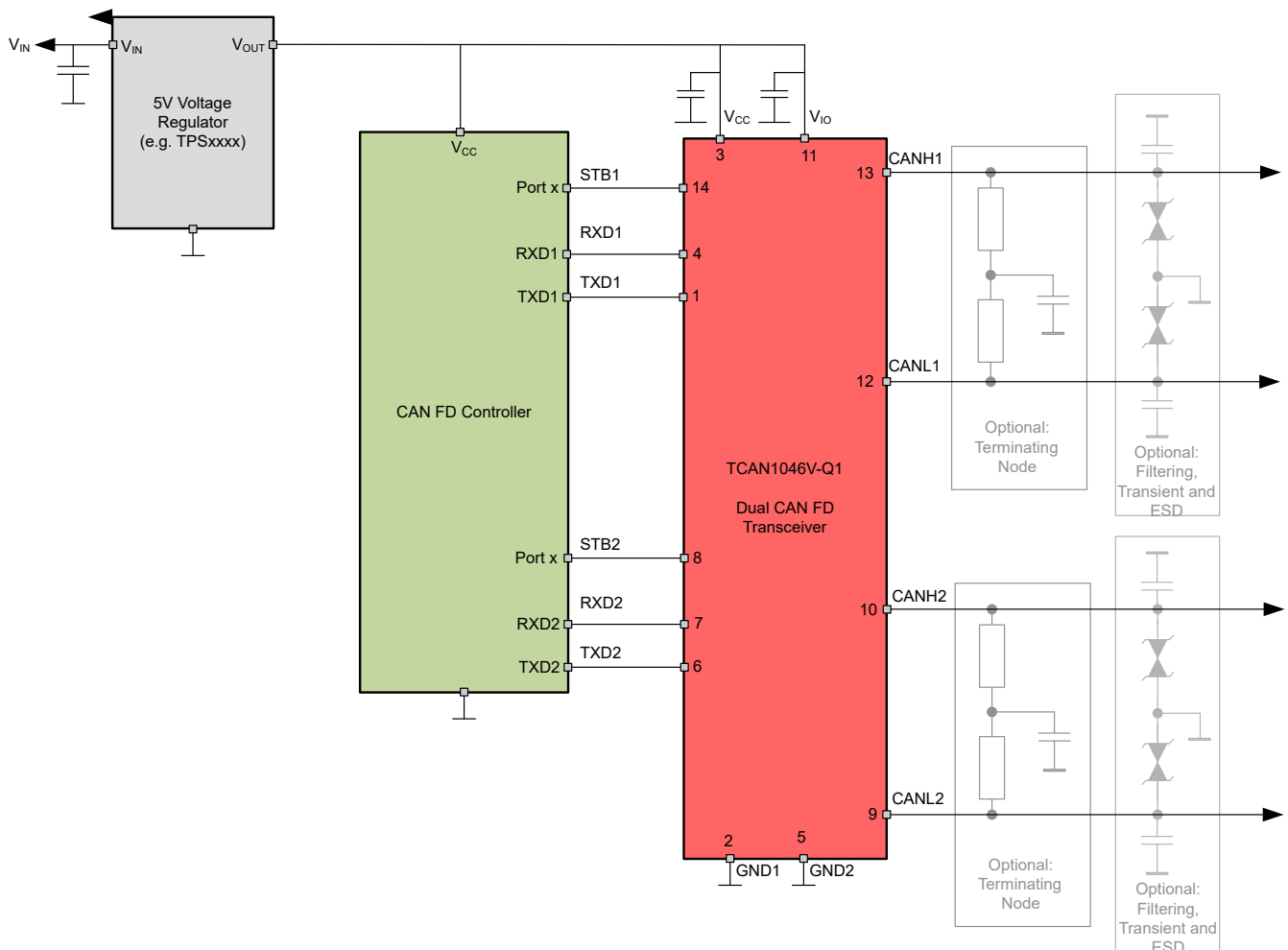
### Note

Information in the following applications sections is not part of the TI component specification, and TI does not warrant its accuracy or completeness. TI's customers are responsible for determining suitability of components for their purposes, as well as validating and testing their design implementation to confirm system functionality.

### 9.1 Application Information

### 9.2 Typical Application

The TCAN1046V-Q1 transceiver can be used in applications with a host controller or FPGA that includes the link layer portion of the CAN protocol. [Figure 9-1](#) shows a typical configuration for 5 V controller applications. The bus termination is shown for illustrative purposes.

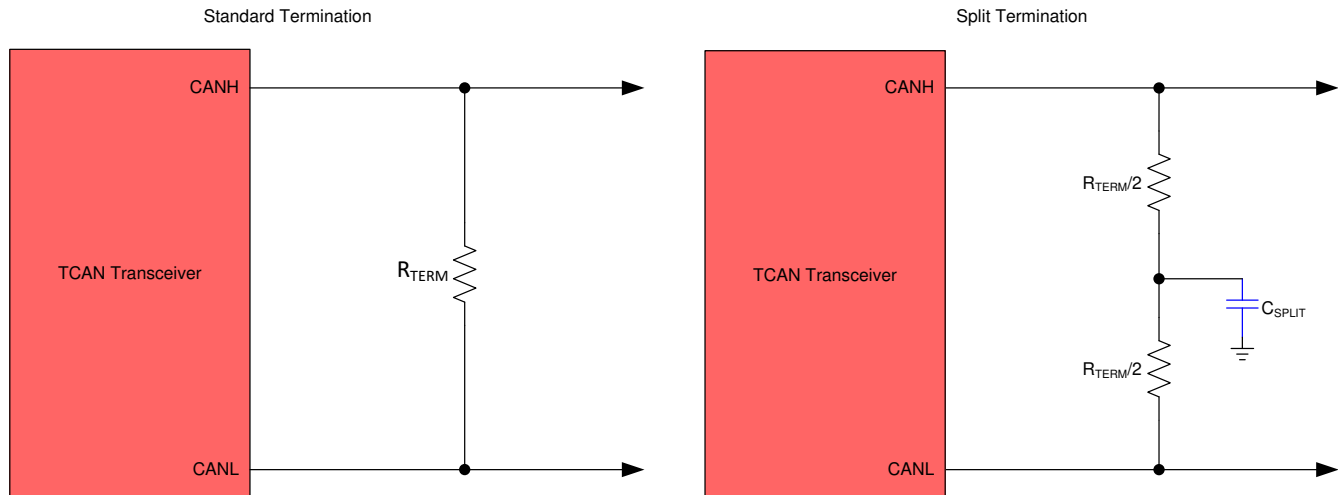


**Figure 9-1. Transceiver Application Using 5 V I/O Connections**

## 9.2.1 Design Requirements

### 9.2.1.1 CAN Termination

Termination may be a single 120- $\Omega$  resistor at each end of the bus, either on the cable or in a terminating node. If filtering and stabilization of the common-mode voltage of the bus is desired then split termination may be used, see [Figure 9-2](#). Split termination improves the electromagnetic emissions behavior of the network by filtering higher-frequency common-mode noise that may be present on the differential signal lines.



**Figure 9-2. CAN Bus Termination Concepts**

## 9.2.2 Detailed Design Procedures

### 9.2.2.1 Bus Loading, Length and Number of Nodes

A typical CAN application may have a maximum bus length of 40 meters and maximum stub length of 0.3 m. However, with careful design, users can have longer cables, longer stub lengths, and many more nodes to a bus. A high number of nodes requires a transceiver with high input impedance such as the TCAN1046V-Q1.

Many CAN organizations and standards have scaled the use of CAN for applications outside the original ISO 11898-2 standard. They made system level trade off decisions for data rate, cable length, and parasitic loading of the bus. Examples of these CAN systems level specifications are ARINC 825, CANopen, DeviceNet, SAE J2284, SAE J1939, and NMEA 2000.

A CAN network system design is a series of tradeoffs. In the ISO 11898-2:2016 specification the driver differential output is specified with a bus load that can range from 50  $\Omega$  to 65  $\Omega$  where the differential output must be greater than 1.5 V. The TCAN1046V-Q1 family is specified to meet the 1.5 V requirement down to 50  $\Omega$  and is specified to meet 1.4 V differential output at 45 $\Omega$  bus load. The differential input resistance of the TCAN1046V-Q1 is a minimum of 40 k $\Omega$ . If 100 TCAN1046V-Q1 transceivers are in parallel on a bus, this is equivalent to a 400- $\Omega$  differential load in parallel with the nominal 60  $\Omega$  bus termination which gives a total bus load of approximately 52  $\Omega$ . Therefore, the TCAN1046V-Q1 family theoretically supports over 100 transceivers on a single bus segment. However, for a CAN network design margin must be given for signal loss across the system and cabling, parasitic loadings, timing, network imbalances, ground offsets and signal integrity thus a practical maximum number of nodes is often lower. Bus length may also be extended beyond 40 meters by careful system design and data rate tradeoffs. For example, CANopen network design guidelines allow the network to be up to 1 km with changes in the termination resistance, cabling, less than 64 nodes and significantly lowered data rate.

This flexibility in CAN network design is one of the key strengths of the various extensions and additional standards that have been built on the original ISO 11898-2 CAN standard. However, when using this flexibility, the CAN network system designer must take the responsibility of good network design to ensure robust network operation.



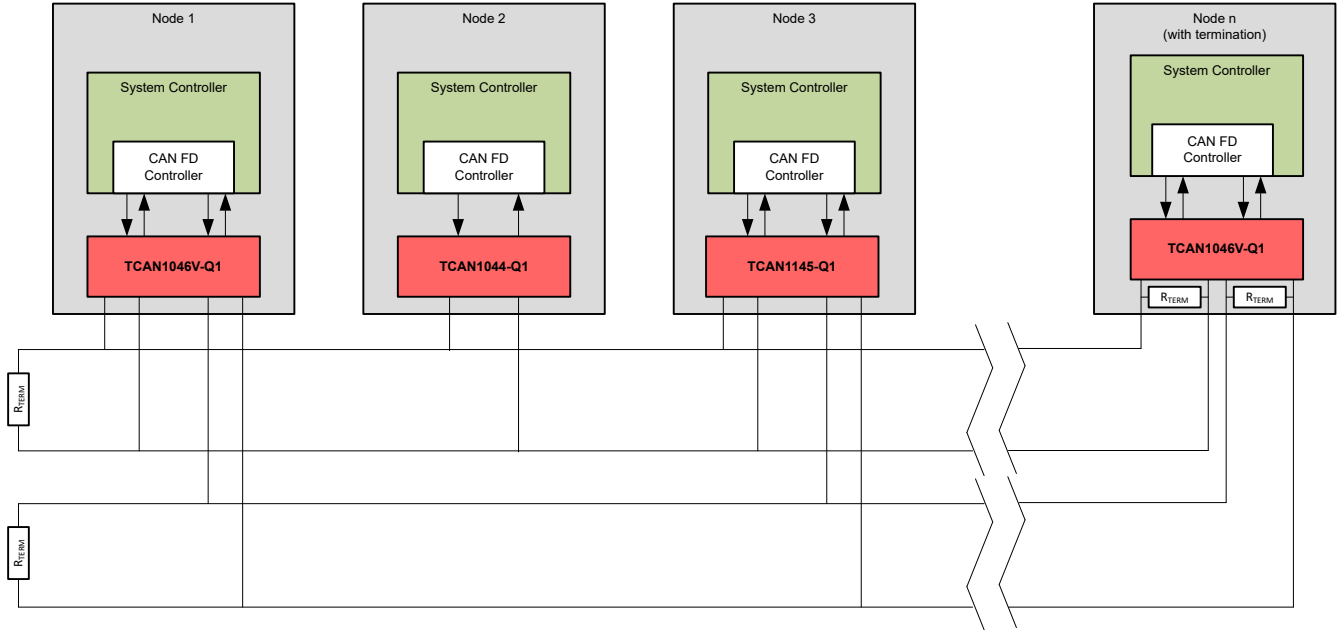
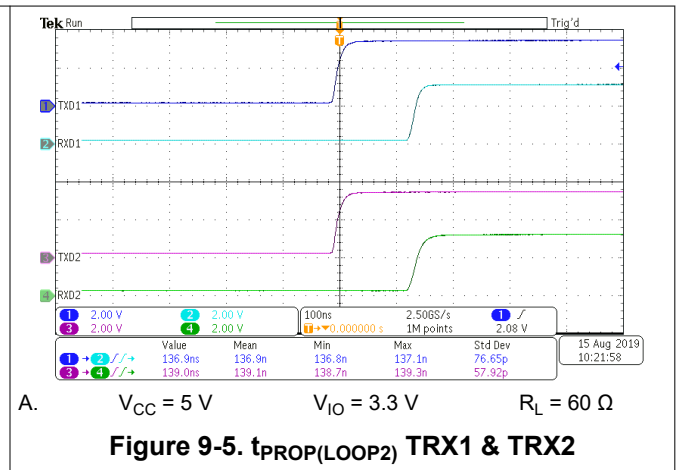
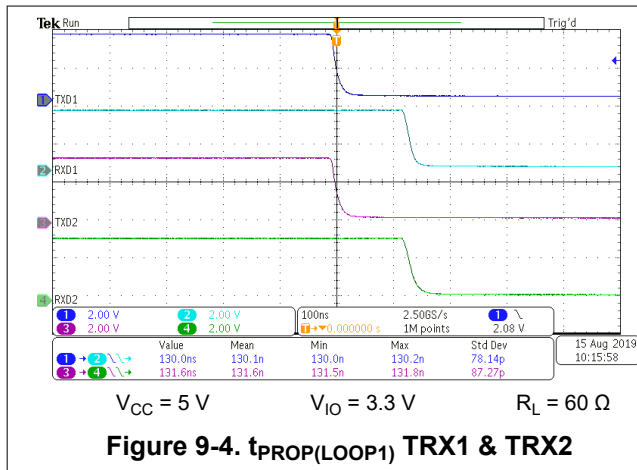


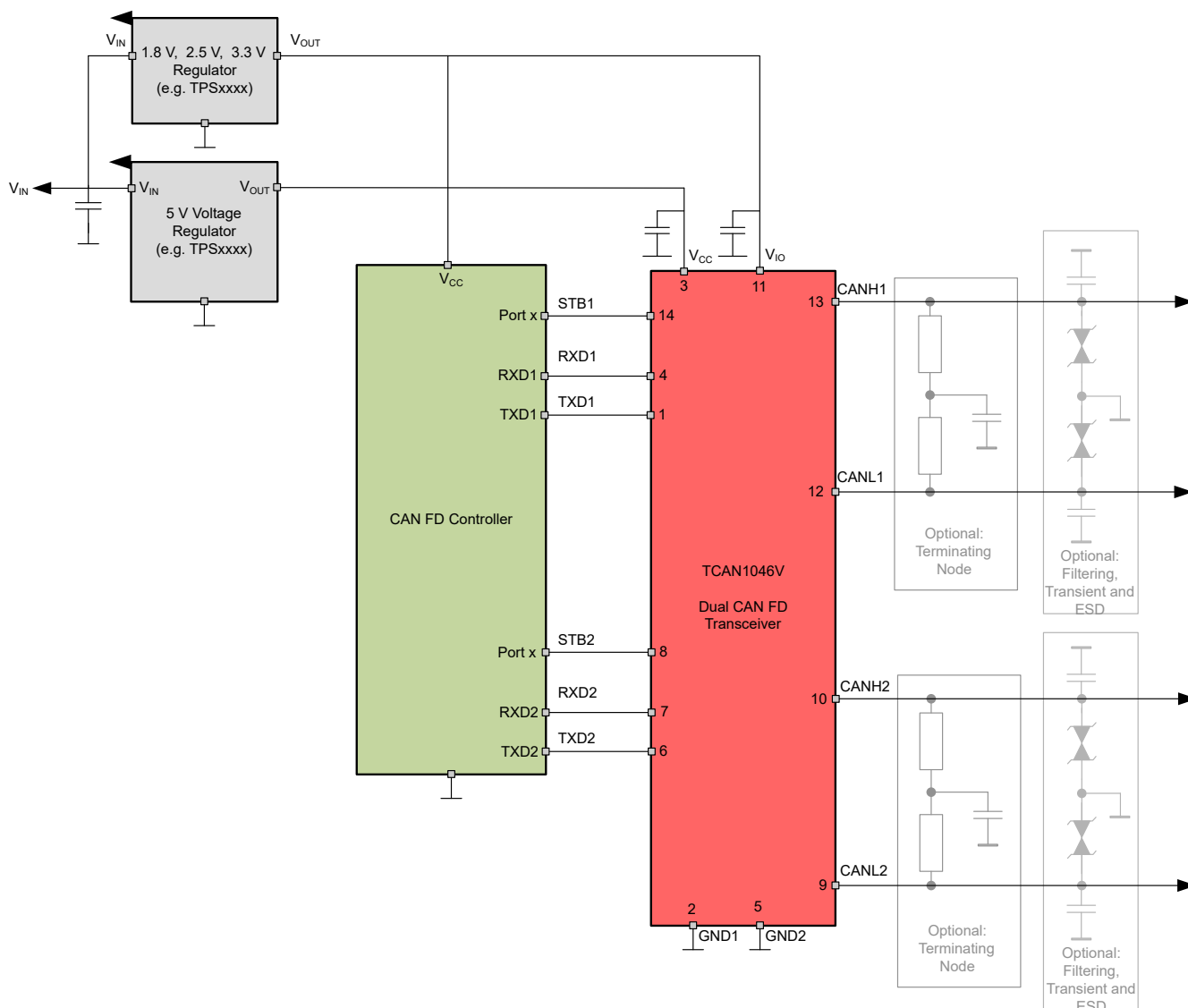
Figure 9-3. Typical CAN Bus

### 9.2.3 Application Curves



### 9.3 System Examples

The TCAN1046V-Q1 CAN transceiver is typically used in applications with a host controller or FPGA that includes the link layer portion of the CAN protocol. A 1.8 V, 2.5 V, or 3.3 V application is shown in Figure 9-6. The bus termination is shown for illustrative purposes.



**Figure 9-6. Transceiver Application Using 1.8 V, 2.5 V, 3.3 V I/O Connections**

### 10 Power Supply Recommendations

The TCAN1046V-Q1 device is designed to operate with a main  $V_{CC}$  input voltage supply range between 4.5 V and 5.5 V. The device has an IO level shifting supply input,  $V_{IO}$ , designed for a range between 1.8 V and 5.5 V. Both supply inputs must be well regulated. A decoupling capacitor, typically 100 nF, should be placed near the CAN transceiver's main  $V_{CC}$  and  $V_{IO}$  supply pins in addition to bypass capacitors.

## 11 Layout

Robust and reliable CAN node design may require special layout techniques depending on the application and automotive design requirements. Since transient disturbances have high frequency content and a wide bandwidth, high-frequency layout techniques should be applied during PCB design.

### 11.1 Layout Guidelines

- Place the protection and filtering circuitry close to the bus connectors, J1 and J2, to prevent transients, ESD, and noise from propagating onto the board. This layout example shows optional transient voltage suppression (TVS) diodes, D1 and D2, which may be implemented if the system-level requirements exceed the specified rating of the transceiver. This example also shows optional bus filter capacitors C6, C8, C9, and C11.
- Design the bus protection components in the direction of the signal path. Do not force the transient current to divert from the signal path to reach the protection device.
- Use at least two vias for supply and ground connections of bypass capacitors and protection devices to minimize trace and via inductance.

---

#### Note

High frequency current follows the path of least impedance and not the path of least resistance.

- This layout example shows how split termination could be implemented on the CAN node. The termination is split into two pairs of resistors, R8, R9, R10, and R11, with the center or split tap of the termination connected to ground via capacitors C7 and C10. Split termination provides common mode filtering for the bus. See [Section 9.2.1.1](#), [Section 8.3.4](#), and [Equation 2](#) for information on termination concepts and power ratings needed for the termination resistor(s).
- To limit current of digital lines series resistors may be used. Examples are R2, R3, R5, R6, R7, and R12.
- Pin 1 and pin 6 are shown for the TXD1 and TXD2 inputs of the device with R1 and R4 as optional pull-up resistors. If an open drain host controller is used this is mandatory to ensure the bit timing into the device is met.
- Pin 8 and 14 are shown assuming the mode pin STB is used. If the device is only used in normal mode then only a pull-down resistor is needed.

## 11.2 Layout Example

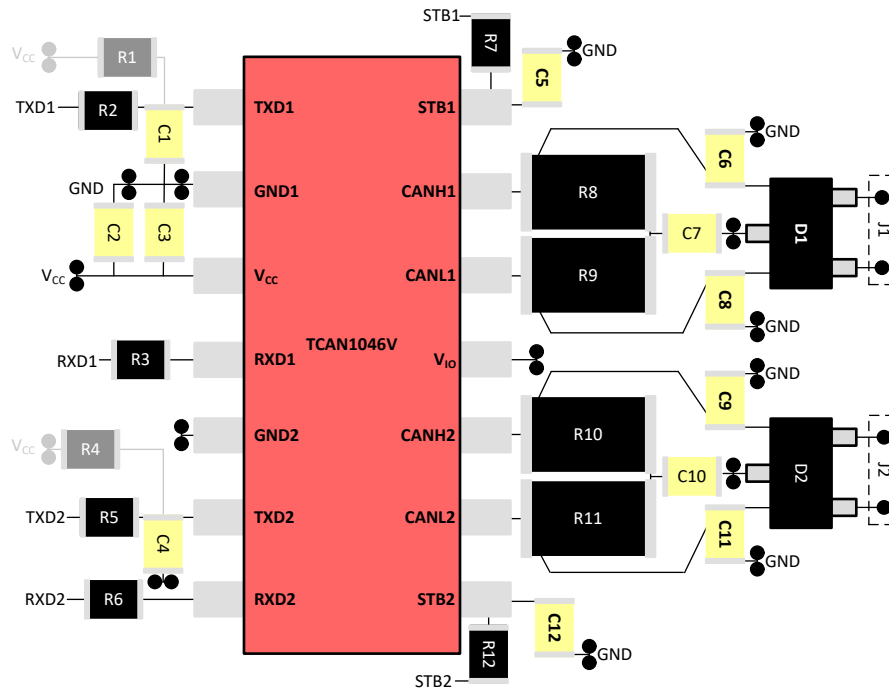


Figure 11-1. Example Layout

## 12 Device and Documentation Support

### 12.1 Receiving Notification of Documentation Updates

To receive notification of documentation updates, navigate to the device product folder on [ti.com](http://ti.com). Click on *Subscribe to updates* to register and receive a weekly digest of any product information that has changed. For change details, review the revision history included in any revised document.

### 12.2 Support Resources

[TI E2E™ support forums](#) are an engineer's go-to source for fast, verified answers and design help — straight from the experts. Search existing answers or ask your own question to get the quick design help you need.

Linked content is provided "AS IS" by the respective contributors. They do not constitute TI specifications and do not necessarily reflect TI's views; see TI's [Terms of Use](#).

### 12.3 Trademarks

TI E2E™ is a trademark of Texas Instruments.

All trademarks are the property of their respective owners.

### 12.4 Electrostatic Discharge Caution



This integrated circuit can be damaged by ESD. Texas Instruments recommends that all integrated circuits be handled with appropriate precautions. Failure to observe proper handling and installation procedures can cause damage.

ESD damage can range from subtle performance degradation to complete device failure. Precision integrated circuits may be more susceptible to damage because very small parametric changes could cause the device not to meet its published specifications.

### 12.5 Glossary

[TI Glossary](#) This glossary lists and explains terms, acronyms, and definitions.

## 13 Mechanical, Packaging, and Orderable Information

The following pages include mechanical, packaging, and orderable information. This information is the most current data available for the designated devices. This data is subject to change without notice and revision of this document. For browser-based versions of this data sheet, refer to the left-hand navigation.

**PACKAGING INFORMATION**

Orderable Device	Status (1)	Package Type	Package Drawing	Pins	Package Qty	Eco Plan (2)	Lead finish/ Ball material (6)	MSL Peak Temp (3)	Op Temp (°C)	Device Marking (4/5)	Samples
TCAN1046VDMTRQ1	ACTIVE	VSON	DMT	14	3000	RoHS & Green	NIPDAU   SN	Level-2-260C-1 YEAR	-40 to 125	1046V	Samples

(1) The marketing status values are defined as follows:

**ACTIVE:** Product device recommended for new designs.

**LIFEBUY:** TI has announced that the device will be discontinued, and a lifetime-buy period is in effect.

**NRND:** Not recommended for new designs. Device is in production to support existing customers, but TI does not recommend using this part in a new design.

**PREVIEW:** Device has been announced but is not in production. Samples may or may not be available.

**OBSELETE:** TI has discontinued the production of the device.

(2) **RoHS:** TI defines "RoHS" to mean semiconductor products that are compliant with the current EU RoHS requirements for all 10 RoHS substances, including the requirement that RoHS substance do not exceed 0.1% by weight in homogeneous materials. Where designed to be soldered at high temperatures, "RoHS" products are suitable for use in specified lead-free processes. TI may reference these types of products as "Pb-Free".

**RoHS Exempt:** TI defines "RoHS Exempt" to mean products that contain lead but are compliant with EU RoHS pursuant to a specific EU RoHS exemption.

**Green:** TI defines "Green" to mean the content of Chlorine (Cl) and Bromine (Br) based flame retardants meet JS709B low halogen requirements of <=1000ppm threshold. Antimony trioxide based flame retardants must also meet the <=1000ppm threshold requirement.

(3) MSL, Peak Temp. - The Moisture Sensitivity Level rating according to the JEDEC industry standard classifications, and peak solder temperature.

(4) There may be additional marking, which relates to the logo, the lot trace code information, or the environmental category on the device.

(5) Multiple Device Markings will be inside parentheses. Only one Device Marking contained in parentheses and separated by a "~" will appear on a device. If a line is indented then it is a continuation of the previous line and the two combined represent the entire Device Marking for that device.

(6) Lead finish/Ball material - Orderable Devices may have multiple material finish options. Finish options are separated by a vertical ruled line. Lead finish/Ball material values may wrap to two lines if the finish value exceeds the maximum column width.

**Important Information and Disclaimer:**The information provided on this page represents TI's knowledge and belief as of the date that it is provided. TI bases its knowledge and belief on information provided by third parties, and makes no representation or warranty as to the accuracy of such information. Efforts are underway to better integrate information from third parties. TI has taken and continues to take reasonable steps to provide representative and accurate information but may not have conducted destructive testing or chemical analysis on incoming materials and chemicals. TI and TI suppliers consider certain information to be proprietary, and thus CAS numbers and other limited information may not be available for release.

In no event shall TI's liability arising out of such information exceed the total purchase price of the TI part(s) at issue in this document sold by TI to Customer on an annual basis.

**TAPE AND REEL INFORMATION**

**QUADRANT ASSIGNMENTS FOR PIN 1 ORIENTATION IN TAPE**


\*All dimensions are nominal

Device	Package Type	Package Drawing	Pins	SPQ	Reel Diameter (mm)	Reel Width W1 (mm)	A0 (mm)	B0 (mm)	K0 (mm)	P1 (mm)	W (mm)	Pin1 Quadrant
TCAN1046VDMTRQ1	VSON	DMT	14	3000	330.0	12.4	3.3	4.8	1.2	8.0	12.0	Q1

**TAPE AND REEL BOX DIMENSIONS**


\*All dimensions are nominal

Device	Package Type	Package Drawing	Pins	SPQ	Length (mm)	Width (mm)	Height (mm)
TCAN1046VDMTRQ1	VSON	DMT	14	3000	367.0	367.0	35.0



## GENERIC PACKAGE VIEW

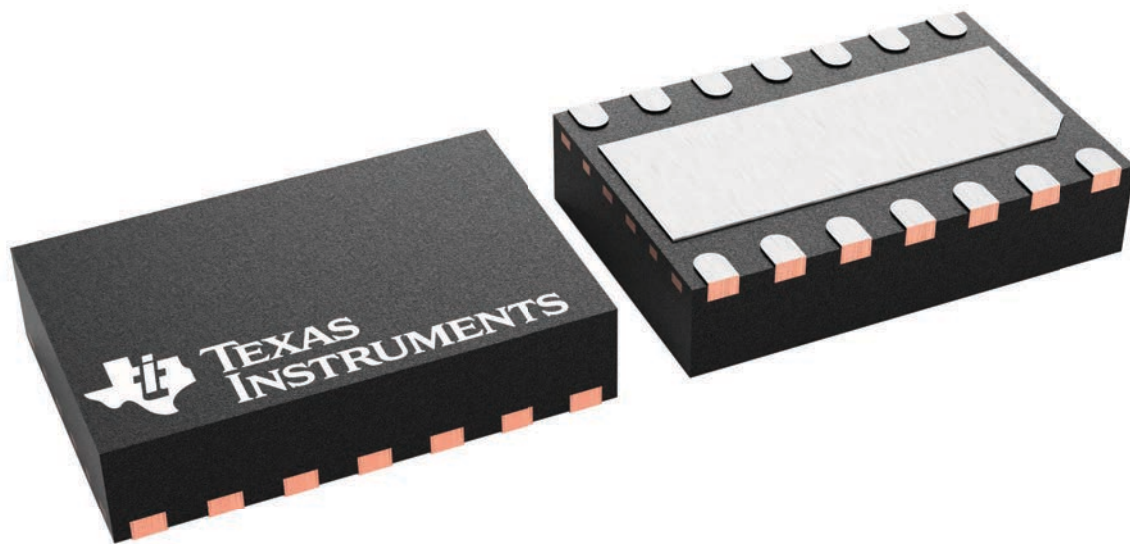
**DMT 14**

**VSON - 0.9 mm max height**

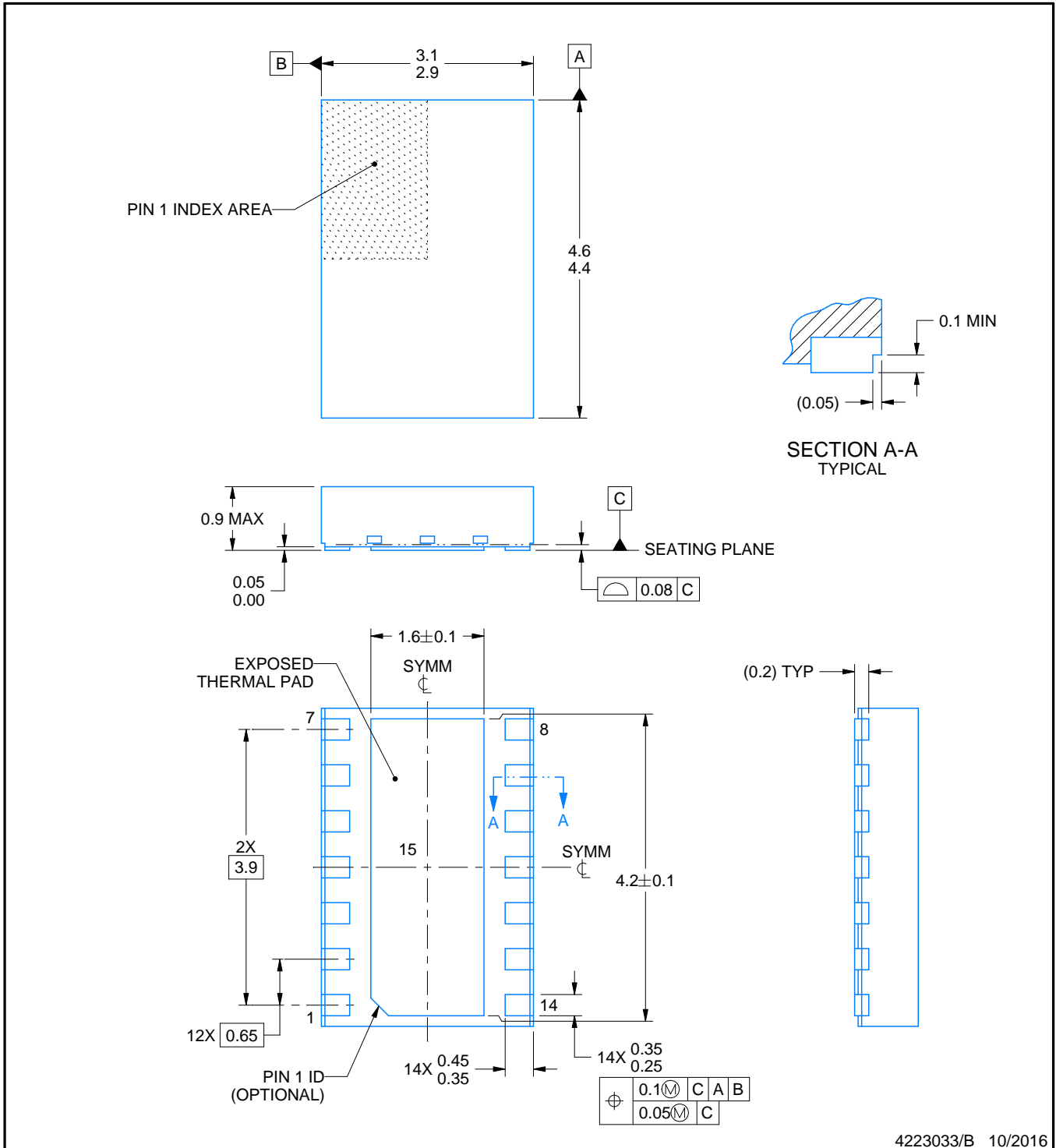
3 x 4.5, 0.65 mm pitch

PLASTIC SMALL OUTLINE - NO LEAD

This image is a representation of the package family, actual package may vary.  
Refer to the product data sheet for package details.



4225088/A



4223033/B 10/2016

NOTES:

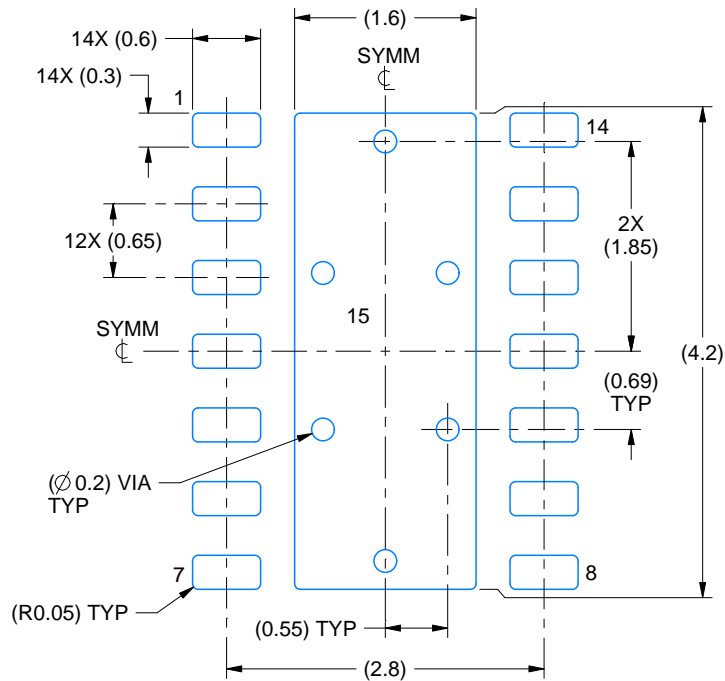
1. All linear dimensions are in millimeters. Any dimensions in parenthesis are for reference only. Dimensioning and tolerancing per ASME Y14.5M.
2. This drawing is subject to change without notice.
3. The package thermal pad must be soldered to the printed circuit board for thermal and mechanical performance.

# EXAMPLE BOARD LAYOUT

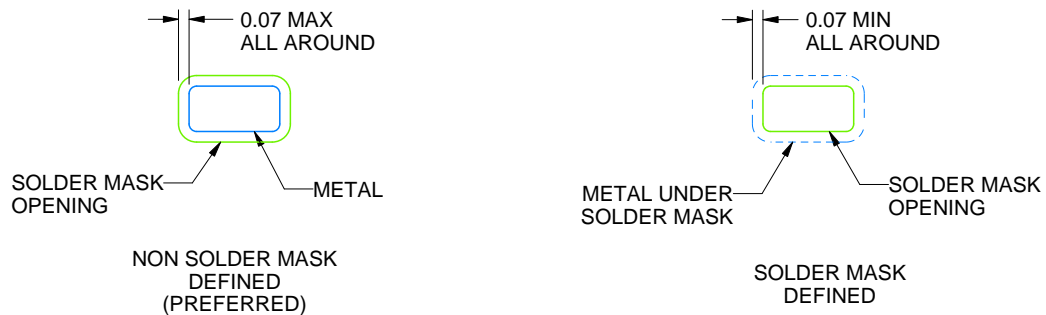
DMT0014A

VSON - 0.9 mm max height

PLASTIC SMALL OUTLINE - NO LEAD



LAND PATTERN EXAMPLE  
SCALE:15X



SOLDER MASK DETAILS

4223033/B 10/2016

NOTES: (continued)

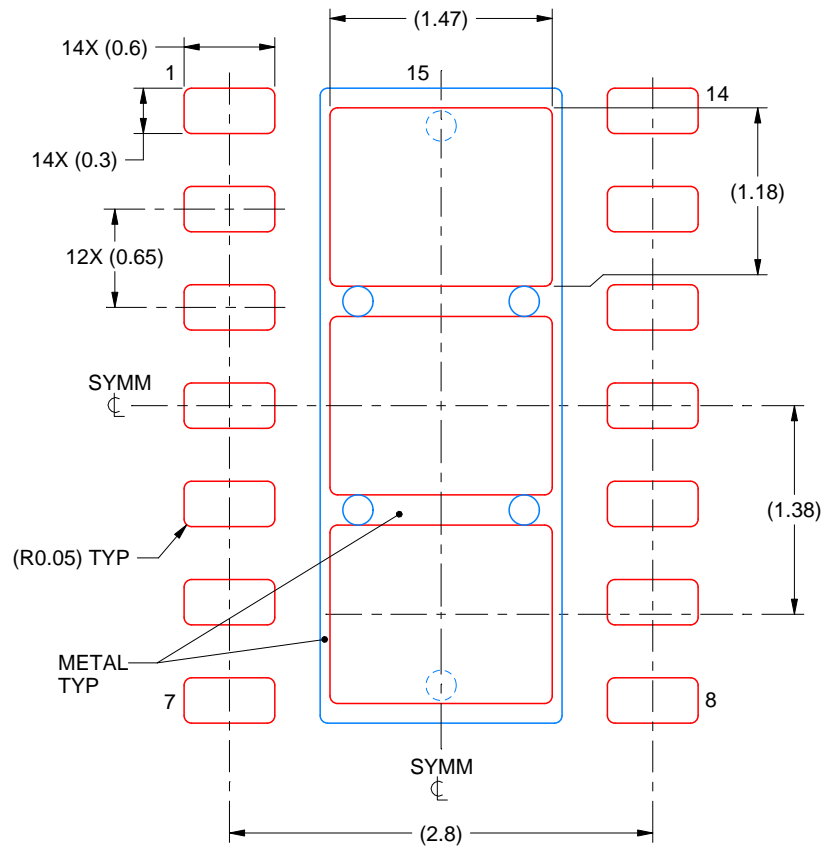
4. This package is designed to be soldered to a thermal pad on the board. For more information, see Texas Instruments literature number SLUA271 ([www.ti.com/lit/slua271](http://www.ti.com/lit/slua271)).
5. Vias are optional depending on application, refer to device data sheet. If any vias are implemented, refer to their locations shown on this view. It is recommended that vias under paste be filled, plugged or tented.

# EXAMPLE STENCIL DESIGN

DMT0014A

VSON - 0.9 mm max height

PLASTIC SMALL OUTLINE - NO LEAD



SOLDER PASTE EXAMPLE  
BASED ON 0.125 mm THICK STENCIL  
EXPOSED PAD 15  
77.4% PRINTED SOLDER COVERAGE BY AREA  
SCALE:20X

4223033/B 10/2016

NOTES: (continued)

6. Laser cutting apertures with trapezoidal walls and rounded corners may offer better paste release. IPC-7525 may have alternate design recommendations.

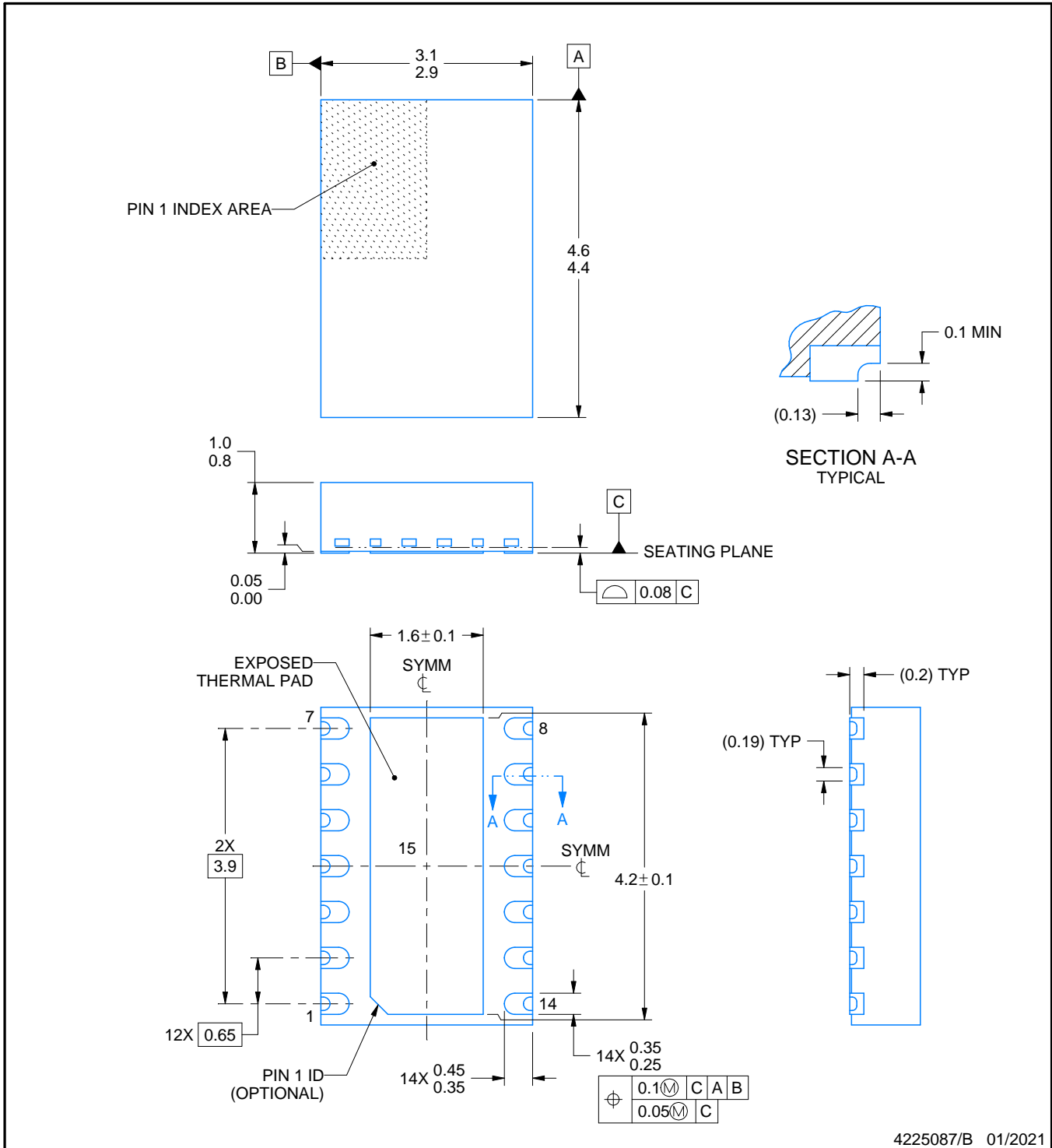
# DMT0014B



## PACKAGE OUTLINE

VSON - 1 mm max height

PLASTIC SMALL OUTLINE - NO LEAD



4225087/B 01/2021

### NOTES:

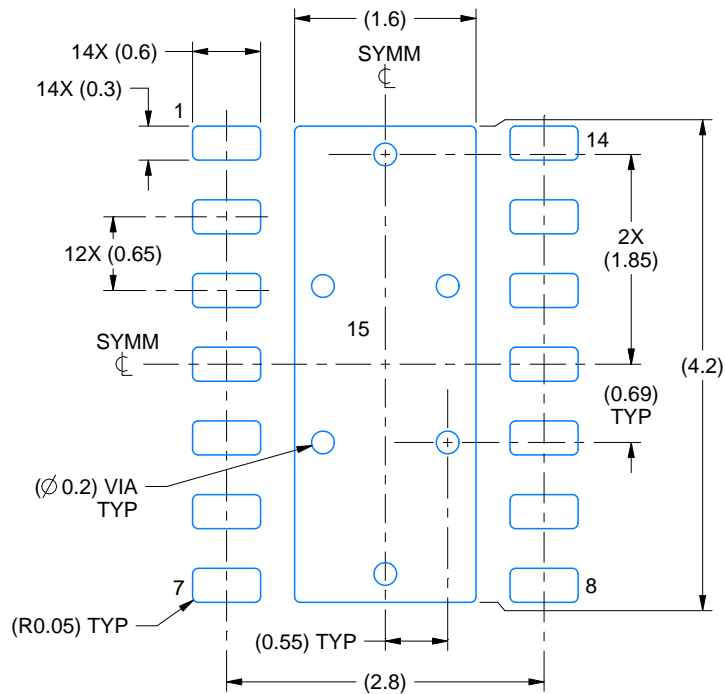
1. All linear dimensions are in millimeters. Any dimensions in parenthesis are for reference only. Dimensioning and tolerancing per ASME Y14.5M.
2. This drawing is subject to change without notice.
3. The package thermal pad must be soldered to the printed circuit board for thermal and mechanical performance.

# EXAMPLE BOARD LAYOUT

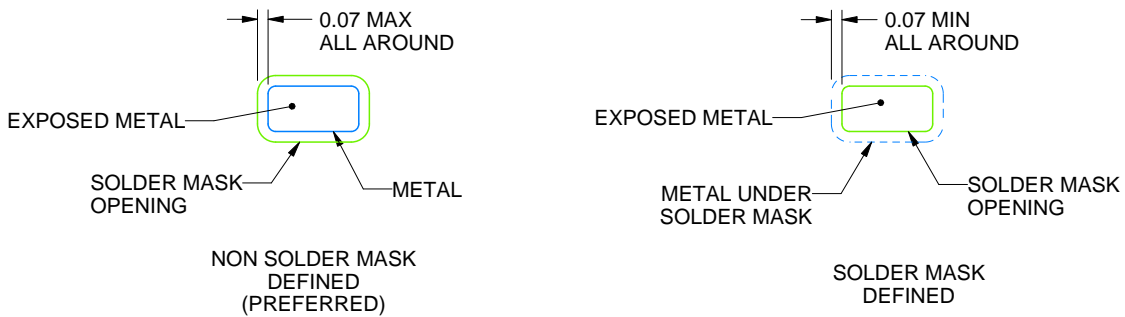
DMT0014B

VSON - 1 mm max height

PLASTIC SMALL OUTLINE - NO LEAD



LAND PATTERN EXAMPLE  
EXPOSED METAL SHOWN  
SCALE:15X



SOLDER MASK DETAILS

4225087/B 01/2021

NOTES: (continued)

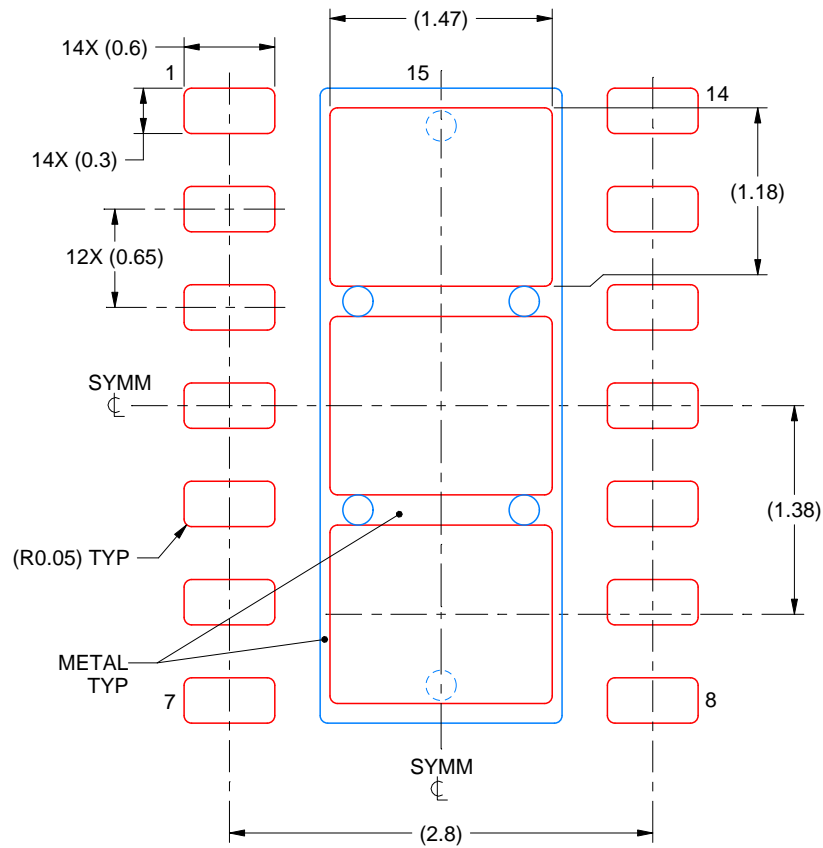
4. This package is designed to be soldered to a thermal pad on the board. For more information, see Texas Instruments literature number SLUA271 ([www.ti.com/lit/slua271](http://www.ti.com/lit/slua271)).
5. Vias are optional depending on application, refer to device data sheet. If any vias are implemented, refer to their locations shown on this view. It is recommended that vias under paste be filled, plugged or tented.

# EXAMPLE STENCIL DESIGN

DMT0014B

VSON - 1 mm max height

PLASTIC SMALL OUTLINE - NO LEAD



SOLDER PASTE EXAMPLE  
BASED ON 0.125 mm THICK STENCIL  
EXPOSED PAD 15  
77.4% PRINTED SOLDER COVERAGE BY AREA  
SCALE:20X

4225087/B 01/2021

NOTES: (continued)

6. Laser cutting apertures with trapezoidal walls and rounded corners may offer better paste release. IPC-7525 may have alternate design recommendations.

## IMPORTANT NOTICE AND DISCLAIMER

TI PROVIDES TECHNICAL AND RELIABILITY DATA (INCLUDING DATA SHEETS), DESIGN RESOURCES (INCLUDING REFERENCE DESIGNS), APPLICATION OR OTHER DESIGN ADVICE, WEB TOOLS, SAFETY INFORMATION, AND OTHER RESOURCES "AS IS" AND WITH ALL FAULTS, AND DISCLAIMS ALL WARRANTIES, EXPRESS AND IMPLIED, INCLUDING WITHOUT LIMITATION ANY IMPLIED WARRANTIES OF MERCHANTABILITY, FITNESS FOR A PARTICULAR PURPOSE OR NON-INFRINGEMENT OF THIRD PARTY INTELLECTUAL PROPERTY RIGHTS.

These resources are intended for skilled developers designing with TI products. You are solely responsible for (1) selecting the appropriate TI products for your application, (2) designing, validating and testing your application, and (3) ensuring your application meets applicable standards, and any other safety, security, regulatory or other requirements.

These resources are subject to change without notice. TI grants you permission to use these resources only for development of an application that uses the TI products described in the resource. Other reproduction and display of these resources is prohibited. No license is granted to any other TI intellectual property right or to any third party intellectual property right. TI disclaims responsibility for, and you will fully indemnify TI and its representatives against, any claims, damages, costs, losses, and liabilities arising out of your use of these resources.

TI's products are provided subject to [TI's Terms of Sale](#) or other applicable terms available either on [ti.com](https://www.ti.com) or provided in conjunction with such TI products. TI's provision of these resources does not expand or otherwise alter TI's applicable warranties or warranty disclaimers for TI products.

TI objects to and rejects any additional or different terms you may have proposed.

Mailing Address: Texas Instruments, Post Office Box 655303, Dallas, Texas 75265  
Copyright © 2023, Texas Instruments Incorporated