

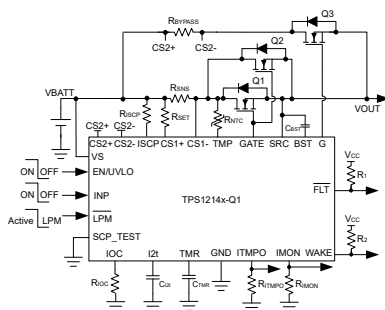
TPS1214-Q1 Low I_Q Automotive High Side Switch Controller With Low Power Mode, Load Wakeup, I^2t , and Diagnostics

1 Features

- AEC-Q100 automotive qualified for grade 1 temperature
- 3.5V to 73V input range (74V absolute maximum)
- Reverse input protection down to $-65V$
 - TPS12141-Q1 with reverse FET ON ($-45V$)
- Integrated 12V charge pump
- Low $I_Q = 20\mu A$ in low power mode ($\overline{LPM} = Low$)
- Low $1\mu A$ shutdown current ($EN/UVLO = Low$)
- Dual gate drive: GATE: 0.5A source and 2A sink
G: $100\mu A$ source and 0.39A sink
- Accurate I^2t overcurrent protection (IOC) with adjustable circuit breaker timer (I^2t)
- Accurate and fast ($5\mu s$) short-circuit protection
- Fast transition ($5\mu s$) from low power mode to active mode using adjustable load wakeup threshold or \overline{LPM} trigger with WAKE indication
- Accurate analog current monitor output (IMON): $\pm 2\%$ at $30mV V_{SNS}$
- NTC based overtemperature sensing (TMP) and monitoring output (ITMPO)
- Fault indication (\overline{FLT}) during short circuit fault, I^2t , charge pump UVLO
- TPS12142-Q1 (RPP turn OFF), TPS12143-Q1 (RPP turn ON) with I^2t disabled
- Accurate and adjustable undervoltage lockout (UVLO)
- Short-circuit comparator diagnosis (SCP_TEST)

2 Applications

- [Power distribution box](#)
- [Body control module](#)
- [DC/DC converter](#)
- [Battery management system](#)



TPS12141-Q1 Application Circuit Driving PAAT Loads

3 Description

TPS1214-Q1 is a family of low I_Q smart high side drivers with protection and diagnostics. With wide operating voltage range of 3.5V to 73V and a 74V absolute maximum rating the device is suitable for 12V, 24V, and 48V automotive system designs.

It has two integrated gate drives with 0.5A source and 2A sink (GATE) and $100\mu A$ source and 0.39A sink (G). With \overline{LPM} Low, the low power path is kept ON and the main FETs are turned OFF with I_Q of $20\mu A$ (typ). Auto load wakeup threshold adjusted using R_{BYPASS} resistor placed across $CS2+$ and $CS2-$. I_Q reduces to $1\mu A$ (typ) with $EN/UVLO$ low.

The device has accurate current sensing ($\pm 2\%$) output (IMON) with adjustable I^2t based overcurrent and short circuit protection using an external R_{SNS} resistor and \overline{FLT} indication. Auto-retry and latch-off fault behavior can be configured. The device also has NTC based temperature sensing (TMP) and monitoring output (ITMPO) output for overtemperature detection of external FETs.

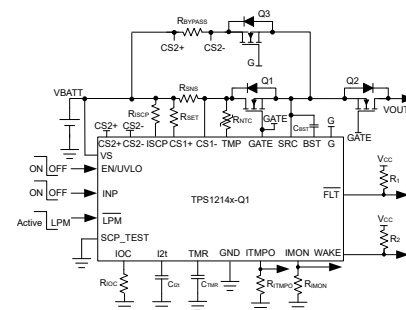
The TPS1214-Q1 is available in 23-pin VQFN package.

Package Information

PART NUMBER	PACKAGE ⁽¹⁾	PACKAGE SIZE ⁽²⁾
TPS12140-Q1, TPS12141-Q1, TPS12142-Q1, TPS12143-Q1	RGE (VQFN, 23)	4.00mm × 4.00mm

(1) For all available packages, see the orderable addendum at the end of the data sheet.

(2) The package size (length × width) is a nominal value and includes pins, where applicable.



TPS12140-Q1 Application Circuit Driving PAAT Loads, B2B FETs



Table of Contents

1 Features	1	9 Application and Implementation	40
2 Applications	1	9.1 Application Information.....	40
3 Description	1	9.2 Typical Application 1: Driving Power at all times (PAAT) Loads With Automatic Load Wakeup.....	40
4 Device Comparison	3	9.3 Typical Application 2: Driving Power at all times (PAAT) Loads With Automatic Load Wakeup and Output Bulk Capacitor Charging.....	46
5 Pin Configuration and Functions	4	9.4 Power Supply Recommendations.....	49
6 Specifications	7	9.5 Layout.....	50
6.1 Absolute Maximum Ratings.....	7	10 Device and Documentation Support	52
6.2 ESD Ratings.....	7	10.1 Receiving Notification of Documentation Updates..	52
6.3 Recommended Operating Conditions.....	7	10.2 Support Resources.....	52
6.4 Thermal Information.....	8	10.3 Trademarks.....	52
6.5 Electrical Characteristics.....	8	10.4 Electrostatic Discharge Caution.....	52
6.6 Switching Characteristics.....	11	10.5 Glossary.....	52
6.7 Typical Characteristics.....	13	11 Revision History	52
7 Parameter Measurement Information	15	12 Mechanical, Packaging, and Orderable Information	52
8 Detailed Description	18		
8.1 Overview.....	18		
8.2 Functional Block Diagram.....	19		
8.3 Feature Description.....	20		
8.4 Device Functional Modes.....	34		

4 Device Comparison

Table 4-1. Device Comparison

FEATURE	TPS12140-Q1	TPS12141-Q1	TPS12142-Q1	TPS12143-Q1
Reverse battery protection	GATE OFF	GATE ON	GATE OFF	GATE ON
I ² t protection	Yes	Yes	No	No

5 Pin Configuration and Functions

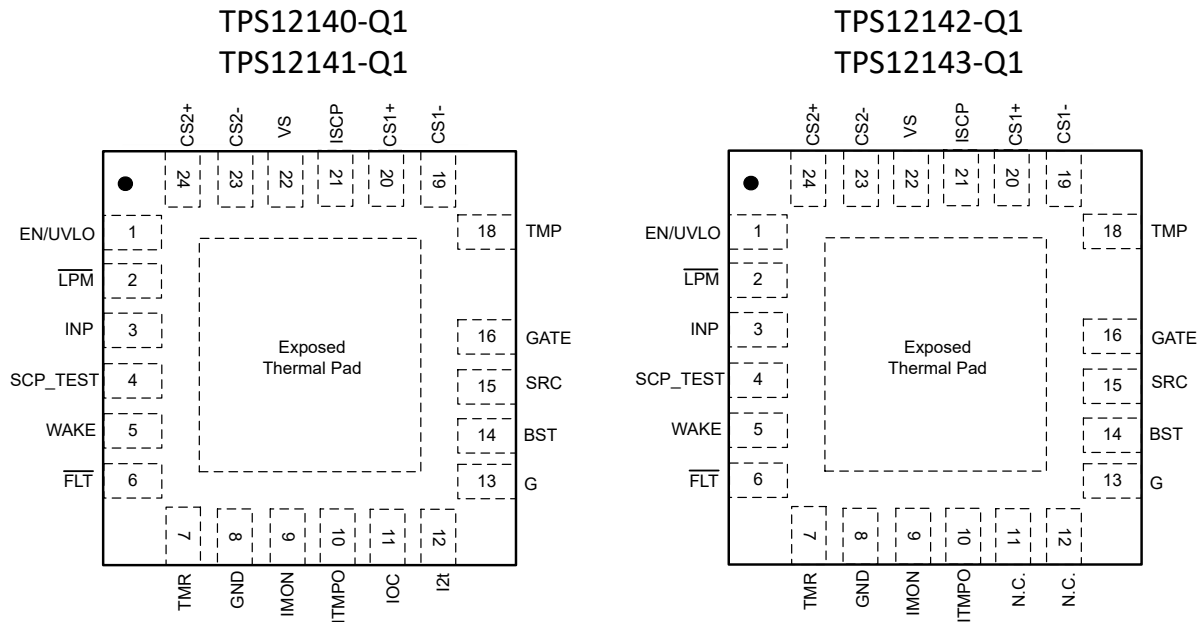


Figure 5-1. RGE Package, 23-Pin VQFN (Transparent Top View)

Table 5-1. Pin Functions

NAME	PIN		TYPE ⁽¹⁾	DESCRIPTION
	TPS12140-Q1 TPS12141-Q1	TPS12142-Q1 TPS12143-Q1		
EN/UVLO	1	1	I	EN/UVLO input. A voltage on this pin above $V_{(UVLOR)}$ 1.21V enables normal operation. If EN/UVLO is below $V_{(UVLOF)}$ then Gate drives are turned OFF. Forcing this pin below $V_{(ENF)}$ 0.3V shuts down the device reducing quiescent current to approximately 1 μ A (typ). Optionally connect to the input supply through a resistive divider to set the undervoltage lockout. When EN/UVLO is left floating an internal pull down of 100nA pulls EN/UVLO low and keeps the device in OFF state.
$\overline{\text{LPM}}$	2	2	I	Mode control input. When driven high, the device enters into active mode. When driven low, the devices enter into low power mode. If low power mode is not required, $\overline{\text{LPM}}$ pin can be tied to EN/UVLO pin. When $\overline{\text{LPM}}$ is left floating an internal pull down of 100nA pulls $\overline{\text{LPM}}$ low.
INP	3	3	I	Input signal for external FET control. CMOS compatible input reference to GND that sets the state of GATE pin. INP has an internal weak pull down of 100nA to GND to keep GATE pulled to SRC when INP is left floating.
SCP_TEST	4	4	I	Internal short-circuit comparator (SCP) diagnosis input. When driven low to high, the internal SCP comparator operation is checked. $\overline{\text{FLT}}$ goes low and GATE gets pulled to SRC with INP pulled high initially if SCP comparator is functional. Connect SCP_TEST pin to GND if this feature is not desired.

Table 5-1. Pin Functions (continued)

NAME	PIN		TYPE ⁽¹⁾	DESCRIPTION
	TPS12140-Q1 TPS12141-Q1	TPS12142-Q1 TPS12143-Q1		
WAKE	5	5	O	Open drain WAKE output. This pin is asserted low by device when device enters into active mode (when $\overline{\text{LPM}}$ is driven high or when a load wakeup event has occurred).
$\overline{\text{FLT}}$	6	6	O	Open drain fault output. $\overline{\text{FLT}}$ goes low during charge pump UVLO, Main FET SCP, I ² t timer trigger, SCP_TEST. This pin asserts low after the voltage on the I2t pin has reached the fault threshold of 2V. This pin indicates the main FET is about to turn off due to an overload condition. This pin asserts low along with GATE turn off during short-circuit. The $\overline{\text{FLT}}$ pin does not go to a high impedance state until the overcurrent condition and the auto-retry time expire.
TMR	7	7	I	Auto-retry or latch timer input after overcurrent fault. A capacitor across TMR pin to GND sets the times for retry periods. Leave it open for fastest setting. Connect resistor across C _{TMR} from TMR pin to GND for latch-off functionality.
GND	8	8	G	Connect GND to system ground.
IMON	9	9	O	Analog current monitor output. This pin sources a scaled down ratio of current through the external current sense resistor R _{SNS} . A resistor from this pin to GND converts current proportional to voltage. If unused, leave floating or can be connected to ground.
ITMPO	10	10	O	Analog temperature output. Analog voltage feedback provides a voltage proportional to thermistor temperature. If unused, leave floating.
IOC	11	—	I	Overcurrent detection setting. A resistor across IOC to GND sets the over current comparator threshold. IOC pin can also be driven externally using MCU.
N.C.	—	11	—	No connect.
I2t	12	—	O	I2t timer input. A capacitor across I2t pin to GND sets the times for overcurrent (t _{OC}).
N.C.	—	12	—	No connect.
G	13	13	O	Gate of external bypass FET. 100 μ A peak source and 0.39A sink capacity. Connect to the gate of the external bypass FET.
BST	14	14	O	High side bootstrapped supply. An external capacitor with a minimum value of 0.1 μ F should be connected between this pin and SRC. Voltage swing on this pin is 12V to (VIN + 12V).
SRC	15	15	O	Source connection of the external FET.
GATE	16	16	O	High current gate driver pull-up and pull-down. 0.5A peak source and 2A sink capacity. This pin pulls GATE up to BST and down to SRC. For the fastest tun-on and turn-off, tie this pin directly to the gate of the external high side MOSFET in main path.

Table 5-1. Pin Functions (continued)

NAME	PIN		TYPE ⁽¹⁾	DESCRIPTION
	TPS12140-Q1 TPS12141-Q1	TPS12142-Q1 TPS12143-Q1		
TMP	18	18	I	Temperature input. Analog connection to external NTC thermistor. Connect TMP pin directly to VS if this feature is not used.
CS1–	19	19	I	Main path current sense negative input.
CS1+	20	20	I	Main path current sense positive input. Connect resistor across CS1+ to the external current sense resistor. Connect CS1+ and CS1– to VBATT if main FET current sensing is not used.
ISCP	21	21	I	Short-circuit detection threshold setting. Connect ISCP to CS1– if short-circuit protection is not desired.
VS	22	22	P	Supply pin of the controller.
CS2–	23	23	I	Bypass path current sense negative input.
CS2+	24	24	I	Bypass path current sense positive input. Connect to CS2+ and CS2– together to VBATT if bypass path is not used.
GND	Thermal Pad	—	—	Connect exposed thermal pad to GND plane.

(1) I = Input, O = Output, I/O = Input or Output, G = Ground, P = Power.

6 Specifications

6.1 Absolute Maximum Ratings

over operating free-air temperature range (unless otherwise noted)⁽¹⁾

		MIN	MAX	UNIT
Input pins	VS, CS1+, CS1–, CS2+, CS2–, ISCP, TMP to GND, For TPS12140-Q1 and TPS12142-Q1 only	–65	74	V
Input pins	VS, CS1+, CS1–, CS2+, CS2–, ISCP, TMP to GND, For TPS12141-Q1 and TPS12143-Q1 only	–45	74	V
Input pins	VS, CS1+, CS1–, CS2+, CS2–, ISCP, TMP to SRC, For TPS12140-Q1 and TPS12142-Q1 only	–65	74	V
Input pins	VS, CS1+, CS1–, CS2+, CS2–, ISCP, TMP to SRC, For TPS12141-Q1 and TPS12143-Q1 only	–45	74	V
Input pins	SRC to GND	–65	74	V
Input pins	GATE, G, BST to SRC	–0.3	19	V
Input pins	TMR to GND	–0.3	5.5	V
Input pins	IOC to GND, For TPS12140-Q1 and TPS12141-Q1 only	–1	5.5	V
Input pins	SCP_TEST to GND	–1	20	V
Input pins	EN/UVLO, INP, LPM, $V_{(VS)} > 0$ V	–1	74	V
Input pins	EN/UVLO, INP, LPM, $V_{(VS)} \leq 0$ V	$V_{(VS)}$	$(70 + V_{(VS)})$	V
Input pins	CS1+ to CS1–	–0.3	0.4	V
Input pins	CS2+ to CS2–	–5	74	V
Output pins	FLT, WAKE to GND	–1	20	V
Output pins	IMON to GND	–1	5.5	V
Output pins	I2t, ITMPO to GND, For TPS12140-Q1 and TPS12141-Q1 only	–1	7.5	V
Output pins	ITMPO to GND, For TPS12142-Q1 and TPS12143-Q1 only	–1	7.5	V
Output pins	GATE, G, BST to GND	–65	88	V
Sink current	$I_{(CS1+)}$ to $I_{(CS1–)}$, 1msec ; $I_{(CS2+)}$ to $I_{(CS2–)}$, 1msec		100	mA
Operating junction temperature, T_j ⁽²⁾		–40	150	°C
Storage temperature, T_{stg}		–40	150	

- (1) Operation outside the Absolute Maximum Ratings may cause permanent device damage. Absolute Maximum Ratings do not imply functional operation of the device at these or any other conditions beyond those listed under Recommended Operating Conditions. If used outside the Recommended Operating Conditions but within the Absolute Maximum Ratings, the device may not be fully functional, and this may affect device reliability, functionality, performance, and shorten the device lifetime.
- (2) High junction temperatures degrade operating lifetimes. Operating lifetime is de-rated for junction temperatures greater than 125°C.

6.2 ESD Ratings

			VALUE	UNIT	
$V_{(ESD)}$	Electrostatic discharge	Human body model (HBM), per AEC Q100-002 ⁽¹⁾	±2000	V	
		Charged device model (CDM), per AEC Q100-011	Corner pins ()		±750
			Other pins		±500

- (1) AEC Q100-002 indicates that HBM stressing shall be in accordance with the ANSI/ESDA/JEDEC JS-001 specification.

6.3 Recommended Operating Conditions

over operating free-air temperature range (unless otherwise noted)⁽¹⁾

		MIN	NOM	MAX	UNIT
Input pins	VS, CS1+, CS1–, CS2+, CS2–, ISCP, TMP to GND, For TPS12140-Q1 and TPS12142-Q1 only	–60		73	V
Input pins	VS, CS1+, CS1–, CS2+, CS2–, ISCP, TMP to GND, For TPS12141-Q1 and TPS12143-Q1 only	–45		73	V

6.3 Recommended Operating Conditions (continued)

 over operating free-air temperature range (unless otherwise noted)⁽¹⁾

		MIN	NOM	MAX	UNIT
Input pins	EN/UVLO, INP, LPM	0		73	V
Input pins	SCP_TEST to GND	0		15	V
Input pins	IOC, TMR to GND, For TPS12140-Q1 and TPS12141-Q1 only	0		5	V
Input pins	TMR to GND, , For TPS12142-Q1 and TPS12143-Q1 only	0		5	V
Output pins	I2t, IMON, ITMPO to GND, For TPS12140-Q1 and TPS12141-Q1 only	0		5	V
Output pins	IMON, ITMPO to GND, For TPS12142-Q1 and TPS12143-Q1 only	0		5	V
Output pins	FLT, WAKE to GND	0		15	V
External capacitor	VS, SRC to GND	22			nF
External capacitor	BST to SRC	0.1			μF
External capacitor	I2t to GND	10			nF
External capacitor	TMR to GND	1			nF
Tj	Operating Junction temperature ⁽²⁾	–40		150	°C

- (1) Recommended Operating Conditions are conditions under which the device is intended to be functional. For specifications and test conditions, see Electrical Characteristics.
- (2) High junction temperatures degrade operating lifetimes. Operating lifetime is de-rated for junction temperatures greater than 125°C.

6.4 Thermal Information

THERMAL METRIC ⁽¹⁾		TPS1214x-Q1		UNIT
		RGE		
		23 PINS		
R _{θJA}	Junction-to-ambient thermal resistance	43		°C/W
R _{θJC(top)}	Junction-to-case (top) thermal resistance	38.3		°C/W
R _{θJB}	Junction-to-board thermal resistance	20.8		°C/W
Ψ _{JT}	Junction-to-top characterization parameter	0.8		°C/W
Ψ _{JB}	Junction-to-board characterization parameter	20.7		°C/W

- (1) For more information about traditional and new thermal metrics, see the [Semiconductor and IC Package Thermal Metrics](#) application report.

6.5 Electrical Characteristics

 $T_J = -40\text{ °C to }+125\text{ °C}$, $V_{(VS)} = 12\text{ V}$, $V_{(BST - SRC)} = 12\text{ V}$, $V_{(SRC)} = 0\text{ V}$

PARAMETER		TEST CONDITIONS	MIN	TYP	MAX	UNIT
Supply Voltage (VS)						
VS	Operating input voltage		3		73	V
V _(VS_PORR)	Input supply POR threshold, rising		2.05	2.6	3.32	V
V _(VS_PORF)	Input supply POR threshold, falling		2	2.5	3	V
	Total System Quiescent current, I _(GND)	V _(EN/UVLO) = V _(LPM) = 2 V TPS12140-Q1 and TPS12141-Q1 only		380	475	μA
	Total System Quiescent current, I _(GND)	V _(EN/UVLO) = V _(LPM) = 2 V, TPS12142-Q1 and TPS12143-Q1 only		310	457	μA
	Total System Quiescent current, I _(GND)	V _(EN/UVLO) = 2V, V _(LPM) = 0 V		20	24	μA
	Total System Quiescent current, I _(GND) in SCP_TEST Diagnosis Mode	V _(EN/UVLO) = 2V, V _(LPM) = 0 V, V _(SCP_TEST) = 2 V		135	155	μA

6.5 Electrical Characteristics (continued)

 $T_J = -40\text{ }^{\circ}\text{C to } +125\text{ }^{\circ}\text{C}$, $V_{(VS)} = 12\text{ V}$, $V_{(BST-SRC)} = 12\text{ V}$, $V_{(SRC)} = 0\text{ V}$

PARAMETER		TEST CONDITIONS	MIN	TYP	MAX	UNIT
$I_{(SHDN)}$	SHDN current, $I_{(GND)}$	$V_{(SRC)} = 12\text{ V}$, $V_{(EN/UVLO)} = 0\text{ V}$, $V_{(SRC)} = 0\text{ V}$		0.9	3	μA
$I_{(REV_VS)}$	$I_{(VS)}$ leakage current during Reverse Polarity	$0\text{ V} \leq V_{(VS)} \leq -65\text{ V}$ TPS12140-Q1 and TPS12142-Q1 only		50	100	μA
$I_{(REV)}$	$I_{(VS)}$ leakage current during Reverse Polarity	$0\text{ V} \leq V_{(VS)} \leq -45\text{ V}$ TPS12141-Q1 and TPS12143-Q1 only		1.45	1.8	mA
$I_{(REV_SRC)}$	$I_{(SRC)}$ leakage current during Reverse Polarity	$0\text{ V} \leq V_{(VS)} \leq -65\text{ V}$ TPS12140-Q1 and TPS12142-Q1 only		8.5	15	μA
$I_{(REV_SRC)}$	$I_{(SRC)}$ leakage current during Reverse Polarity	$0\text{ V} \leq V_{(VS)} \leq -45\text{ V}$ TPS12141-Q1 and TPS12143-Q1 only		60	95	μA
ENABLE, UNDERVOLTAGE LOCKOUT (EN/UVLO) AND SCP_TEST						
$V_{(UVLOR)}$	UVLO threshold voltage, rising		1.16	1.2	1.245	V
$V_{(UVLOF)}$	UVLO threshold voltage, falling		1.09	1.11	1.16	V
$V_{(ENR)}$	Enable threshold voltage for low Iq shutdown, rising				1	V
$V_{(ENF)}$	Enable threshold voltage for low Iq shutdown, falling		0.3			V
$I_{(EN/UVLO)}$	Enable input leakage current	$V_{(EN/UVLO)} = 12\text{ V}$			500	nA
$V_{(SCP_TEST_H)}$	SCP_TEST mode rising threshold				2.4	V
$V_{(SCP_TEST_L)}$	SCP_TEST mode falling threshold		0.6			V
$I_{(SCP_TEST)}$	SCP_TEST input leakage current				500	nA
CHARGE PUMP (BST-SRC)						
$I_{(BST_LPM)}$	Charge Pump Supply current in LPM	$V_{(BST-SRC)} = 10\text{ V}$, $V_{(EN/UVLO)} = 2\text{ V}$, $V_{(LPM)} = 0\text{ V}$	175	370	575	μA
$I_{(BST_AM)}$	Charge Pump Supply current in active mode	$V_{(BST-SRC)} = 10\text{ V}$, $V_{(EN/UVLO)} = 2\text{ V}$, $V_{(LPM)} = 2\text{ V}$	300	600	775	μA
$V_{(BST_UVLO)}$	$V_{(BST-SRC)}$ UVLO voltage threshold, rising	$V_{(EN/UVLO)} = 2\text{ V}$	7	7.6	8.4	V
	$V_{(BST-SRC)}$ UVLO voltage threshold, falling	$V_{(EN/UVLO)} = 2\text{ V}$	6	6.6	7.3	V
$V_{(CP_LOW_AM)}$	Charge Pump Turn ON voltage in active mode	$V_{(EN/UVLO)} = 2\text{ V}$, $V_{(LPM)} = 2\text{ V}$	9.5	10.4	12.3	V
$V_{(CP_HIGH_AM)}$	Charge Pump Turnoff voltage in active mode	$V_{(EN/UVLO)} = 2\text{ V}$, $V_{(LPM)} = 2\text{ V}$	10.42	11.3	13	V
$V_{(CP_LOW_LPM)}$	Charge Pump Turn ON voltage in low power mode	$V_{(EN/UVLO)} = 2\text{ V}$, $V_{(LPM)} = 0\text{ V}$	8.3	9.3	10.2	V
$V_{(CP_HIGH_LPM)}$	Charge Pump Turnoff voltage in low power mode	$V_{(EN/UVLO)} = 2\text{ V}$, $V_{(LPM)} = 0\text{ V}$	9.02	10.3	11.8	V
$V_{(CP_AM_VS_3V)}$	Charge Pump Voltage at $V_{(VS)} = 3\text{ V}$ in active mode	$V_{(EN/UVLO)} = 2\text{ V}$, $V_{(LPM)} = 2\text{ V}$	8			V
$V_{(CP_LPM_VS_3V)}$	Charge Pump Voltage at $V_{(VS)} = 3\text{ V}$ in low power mode	$V_{(EN/UVLO)} = 2\text{ V}$, $V_{(LPM)} = 0\text{ V}$	8			V
$V_{(G_GOOD)}$	G Drive Good rising threshold w.r.t BST			2.2	4	V
$I_{(SRC)}$	SRC pin leakage current	$V_{(EN/UVLO)} = 2\text{ V}$, $V_{(INP)} = 0$, $V_{(LPM)} = 2\text{ V}$			1.57	μA
GATE DRIVER OUTPUTS (GATE, G)						
$I_{(GATE)}$	Peak Source Current			0.5		A
$I_{(GATE)}$	Peak Sink Current			2		A

6.5 Electrical Characteristics (continued)

 $T_J = -40\text{ }^{\circ}\text{C to } +125\text{ }^{\circ}\text{C}$, $V_{(VS)} = 12\text{ V}$, $V_{(BST-SRC)} = 12\text{ V}$, $V_{(SRC)} = 0\text{ V}$

PARAMETER		TEST CONDITIONS	MIN	TYP	MAX	UNIT
$I_{(G)}$	Gate charge (sourcing) current, on state			100		μA
$I_{(G)}$	G Peak Sink Current			390		mA
CURRENT SENSE AND CURRENT MONITOR (CS1+, CS1-, IMON)						
$V_{(OS_SET)}$	Input referred offset (V_{SNS} to $V_{(IMON)}$ scaling)		-140		140	μV
$V_{(GE_SET)}$	Gain error (V_{SNS} to $V_{(IMON)}$ scaling)		-1		1	%
$V_{(IMON_Acc)}$	IMON accuracy	$V_{SNS} = 6\text{ mV}$	-5		5	%
$V_{(IMON_Acc)}$	IMON accuracy	$V_{SNS} = 10\text{ mV}$	-5		5	%
$V_{(IMON_Acc)}$	IMON accuracy	$V_{SNS} = 15\text{ mV}$	-2		2	%
$V_{(IMON_Acc)}$	IMON accuracy	$V_{SNS} = 30\text{ mV}$	-2		2	%
OVERCURRENT (I2t) AND SHORT CIRCUIT PROTECTION (IOC, I2t, ISCP)						
$V_{(OCP)}$	OCP threshold accuracy	$15\text{ mV} \geq V_{(OCP)} \geq 100\text{ mV}$	-7.5		7.5	%
$I^2_{(I2t_Acc)}$	I^2 current accuracy on I2t pin	$15\text{ mV} \geq V_{(OCP)} \geq 100\text{ mV}$, $V_{SNS} = V_{(OCP)} + 50\%$ of $V_{(OCP)}$	-15		15	%
$I^2_{(I2t_Acc)}$	I^2 current accuracy on I2t pin	$15\text{ mV} \geq V_{(OCP)} \geq 100\text{ mV}$, $V_{SNS} = V_{(OCP)} + 100\%$ of $V_{(OCP)}$	-10		10	%
$I^2_{(I2t_Acc)}$	I^2 current accuracy on I2t pin	$15\text{ mV} \geq V_{(OCP)} \geq 100\text{ mV}$, $V_{SNS} = V_{(OCP)} + 200\%$ of $V_{(OCP)}$	-10		10	%
$V_{(I2t_OC)}$	I2t pin voltage threshold for overcurrent shutdown		1.93	2	2.09	V
$I_{(I2t_Charge)}$	Charging current on I2t pin to $V_{(I2t_OFFSET)}$			5100		μA
$R_{(I2t_Discharge)}$	Internal switch discharge resistance			1200		Ω
$V_{(I2t_OFFSET)}$	I2t pin offset voltage		490	500	515	mV
$V_{(REF_OC)}$	IOC pin reference voltage		190	200	205	mV
$V_{(SCP)}$	SCP threshold accuracy	$V_{(SNS_SCP)} = 20\text{ mV}$, $R_{(ISCP)} = 732\text{ }\Omega$	19	20	21	mV
$V_{(SCP)}$	SCP threshold accuracy	$V_{(SNS_SCP)} = 100\text{ mV}$, $R_{(ISCP)} = 3.92\text{ k}\Omega$	95	100	105	mV
$I_{(SCP)}$	SCP Input Bias current		24.5	25	25.2	μA
LOAD WAKEUP COMPARATOR (CS2+, CS2-)						
$V_{(LPM_SCP)}$	Short-circuit threshold in LPM		1.72	2	2.17	V
$V_{(LWU)}$	Load wakeup current threshold		177	200	216	mV
AUTO-RETRY OR LATCH-OFF TIMER (TMR)						
$I_{(TMR_SRC)}$	TMR source current		2	2.5	3	μA
$I_{(TMR_SINK)}$	TMR sink current		2	2.5	3	μA
$V_{(TMR_HIGH)}$	Voltage at TMR pin for AR counter rising threshold		1.04	1.23	1.42	V
$V_{(TMR_LOW)}$	Voltage at TMR pin for AR counter falling threshold		0.15	0.25	0.39	V
$N_{(A-R\text{ Count})}$				32		
TEMPERATURE MONITOR (CS1-, TMP, ITMPO)						
$V_{(REF_TMP)}$	Temperature amplifier internal reference voltage		475	500	525	mV
$V_{(ITMPO)}$	Temperature monitor output voltage at $150\text{ }^{\circ}\text{C}$ $R_{(NTC)} = 10\text{ k}\Omega$ at $25\text{ }^{\circ}\text{C}$	$R_{(TMP)} = 330\text{ }\Omega$, $R_{(NTC)} = 309\text{ }\Omega$ at $150\text{ }^{\circ}\text{C}$, $R_{(ITMPO)} = 2.55\text{ k}\Omega$	-6		6.64	%

6.5 Electrical Characteristics (continued)

 $T_J = -40\text{ }^{\circ}\text{C to }+125\text{ }^{\circ}\text{C}$, $V_{(VS)} = 12\text{ V}$, $V_{(BST - SRC)} = 12\text{ V}$, $V_{(SRC)} = 0\text{ V}$

PARAMETER		TEST CONDITIONS	MIN	TYP	MAX	UNIT
$V_{(ITMPO)}$	Temperature monitor output voltage at 150°C $R_{(NTC)} = 47\text{ k}\Omega$ at 25°C	$R_{(TMP)} = 1\text{ k}\Omega$, $R_{(NTC)} = 520\text{ }\Omega$ at 150°C, $R_{(ITMPO)} = 6.19\text{ k}\Omega$	-6		6.64	%
$I_{(TMP)}$	TMP leakage current				100	nA
INPUT CONTROLS (INP, LPM), & FAULT FLAG (FLT)						
$R_{(FLT)}$, $R_{(WAKE)}$	\overline{FLT} , WAKE pull-down resistance			70		Ω
$I_{(FLT)}$, $I_{(WAKE)}$	\overline{FLT} , WAKE leakage current	$0\text{ V} \leq V_{(FLT)} \leq 20\text{ V}$ $0\text{ V} \leq V_{(WAKE)} \leq 20\text{ V}$			400	nA
$V_{(INP_H)}$, $V_{(LPM_H)}$					2	V
$V_{(INP_L)}$, $V_{(LPM_L)}$			0.72			V
$V_{(INP_Hys)}$, $V_{(LPM_Hys)}$	INP, LPM hysteresis			440		mV
$I_{(INP)}$, $I_{(LPM)}$	INP, LPM leakage current				200	nA
HTOL						

6.6 Switching Characteristics

 $T_J = -40\text{ }^{\circ}\text{C to }+125\text{ }^{\circ}\text{C}$, $V_{(VS)} = 12\text{ V}$, $V_{(BST - SRC)} = 11\text{ V}$, $V_{(SRC)} = 0\text{ V}$

PARAMETER		TEST CONDITIONS	MIN	TYP	MAX	UNIT
$t_{GATE(INP_H)}$	INP Turn ON propagation Delay	INP \uparrow to GATE \uparrow , $C_{L(GATE)} = 47\text{ nF}$		1.2	2.5	μs
$t_{GATE(INP_L)}$	INP Turn OFF propagation Delay	INP \downarrow to GATE \downarrow , $C_{L(GATE)} = 47\text{ nF}$		0.35	1.5	μs
$t_{G_ON(LPM)}$	Active mode to LPM mode transition delay	$\overline{LPM} \downarrow$ to G \uparrow , $C_{L(G)} = 1\text{ nF}$		1.8	9	μs
$t_{GATE_OFF(LPM)}$	Active mode to LPM mode transition delay	$\overline{LPM} \downarrow$, G \uparrow (above $V_{(G_GOOD)}$) to GATE \downarrow , WAKE \uparrow (low to High Z), $C_{L(GATE)} = 47\text{ nF}$		37	51	μs
$t_{GATE(WAKE_LPM)}$	LPM Mode to Active mode transition delay with \overline{LPM} trigger	$\overline{LPM} \uparrow$ to GATE \uparrow , $C_{L(GATE)} = 47\text{ nF}$		3.8	6	μs
$t_{G(WAKE_LPM)}$	LPM Mode to Active mode transition delay with LPM trigger	$\overline{LPM} \uparrow$, GATE \uparrow (above $V_{(G_GOOD)}$) to G \downarrow , WAKE \downarrow , $C_{L(G)} = 1\text{ nF}$, $V_{(LPM)} = 0\text{ V}$		9	15	μs
$t_{GATE(WAKE_LWU)}$	GATE turn ON propagation delay during Load wakeup	$V_{(CS2+ - CS2-)} \uparrow$ $V_{(LWU)}$ to GATE \uparrow , $C_{L(GATE)} = 47\text{ nF}$, $V_{(LPM)} = 0\text{ V}$		4	5.5	μs
$t_{G(WAKE_LWU)}$	G turn OFF propagation delay during Load wakeup	$V_{(CS2+ - CS2-)} \uparrow$ $V_{(LWU)}$, GATE \uparrow (above $V_{(G_GOOD)}$) to G \downarrow , WAKE \downarrow , $C_{L(G)} = 1\text{ nF}$, $V_{(LPM)} = 0\text{ V}$		9	15	μs
$t_{GATE(EN_OFF)}$	EN Turn OFF Propagation Delay	EN \downarrow to GATE \downarrow , $C_{L(GATE)} = 47\text{ nF}$, $V_{(LPM)} = 2\text{ V}$		3.1	4.5	μs
$t_{GATE(UVLO_OFF)}$	UVLO Turn OFF Propagation Delay	UVLO \downarrow to GATE \downarrow , $C_{L(GATE)} = 47\text{ nF}$, $V_{(LPM)} = 2\text{ V}$		4	6.5	μs
$t_{GATE(UVLO_ON)}$	UVLO to GATE Turn ON Propagation Delay with CBT pre-biased > VPORF and INP kept high	EN/UVLO \uparrow to GATE \uparrow , $C_{L(GATE)} = 47\text{ nF}$, $V_{(LPM)} = 2\text{ V}$		8.5	25	μs
$t_{GATE(VS_OFF)}$	GATE Turn OFF Propagation Delay with VS falling < VPORF and INP, EN/UVLO kept high	VS \downarrow (cross VPORF) to GATE \downarrow , $C_{L(GATE)} = 47\text{ nF}$, $V_{(LPM)} = 0\text{ V}$		25	40	μs
t_{SC}	Short circuit protection propagation delay in active mode	$V_{(CS1+ - CS1-)} \uparrow$ $V_{(SCP)}$ to GATE \downarrow , $C_{L(GATE)} = 47\text{ nF}$, $V_{(LPM)} = 2\text{ V}$		3.9	5	μs
t_{LPM_SC}	Short circuit protection propagation delay in LPM (Powerup into LPM with short)	$V_{(CS2+ - CS2-)} \uparrow$ $V_{(LPM_SCP)}$ to GATE \uparrow , $C_{L(GATE)} = 47\text{ nF}$, $V_{(LPM)} = 0\text{ V}$		3.1	4.5	μs

6.6 Switching Characteristics (continued)

$T_J = -40\text{ }^\circ\text{C}$ to $+125\text{ }^\circ\text{C}$. $V_{(VS)} = 12\text{ V}$, $V_{(BST-SRC)} = 11\text{ V}$, $V_{(SRC)} = 0\text{ V}$

PARAMETER		TEST CONDITIONS	MIN	TYP	MAX	UNIT
$t_{\text{GATE_ON(RPP)}}$	GATE turn ON delay during reverse polarity event when $V_{(BST)} < V_{(BST_UVLOF)}$	$V_{(VS)} = 0$ to -16 V to $V_{(GATE-SRC)} > 5\text{ V}$, $C_{L(GATE)} = 47\text{ nF}$, $C_{BST} = 100\text{ nF}$ TPS12141-Q1 and TPS12143-Q1 only		120		μs
$t_{\text{GATE_ON(RPP)}}$	GATE turn ON delay during reverse polarity event when $V_{(BST)} > V_{(BST_UVLOF)}$	$V_{(VS)} = 24$ to -45 V to $V_{(GATE-SRC)} > 5\text{ V}$, $C_{L(GATE)} = 47\text{ nF}$, $C_{BST} = 1\text{ }\mu\text{F}$ TPS12141-Q1 and TPS12143-Q1 only		26		μs
$t_{\text{GATE(FLT_ASSERT)}}$	$\overline{\text{FLT}}$ assertion delay during short circuit	$V_{(CS1+CS1-)} \uparrow V_{(SCP)}$ to $\overline{\text{FLT}} \downarrow$		15	21	μs
$t_{\text{GATE(FLT_DE_ASSERT)}}$	$\overline{\text{FLT}}$ de-assertion delay during short circuit	$V_{(CS1+CS1-)} \downarrow V_{(SCP)}$ to $\overline{\text{FLT}} \uparrow$		3.8		μs
$t_{\text{GATE(FLT_ASSERT_BSTUVLO)}}$	$\overline{\text{FLT}}$ assertion delay during GATE Drive UVLO	$V_{(GATE-SRC)} \downarrow V_{(BSTUVLOR)}$ to $\overline{\text{FLT}} \downarrow$		30		μs
$t_{\text{GATE(FLT_DE_ASSERT_BSTUVLO)}}$	$\overline{\text{FLT}}$ de-assertion delay during GATE Drive UVLO	$V_{(GATE-SRC)} \uparrow V_{(BSTUVLOR)}$ to $\overline{\text{FLT}} \uparrow$		15		μs

6.7 Typical Characteristics

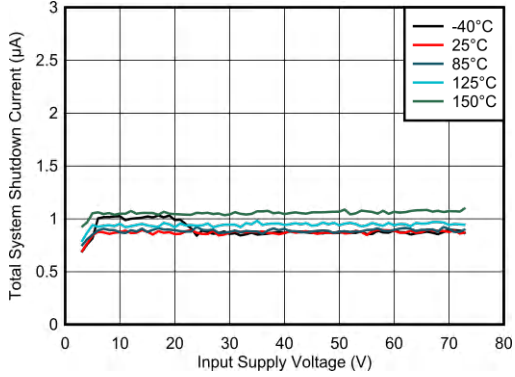


Figure 6-1. Shutdown Supply Current vs Supply Voltage

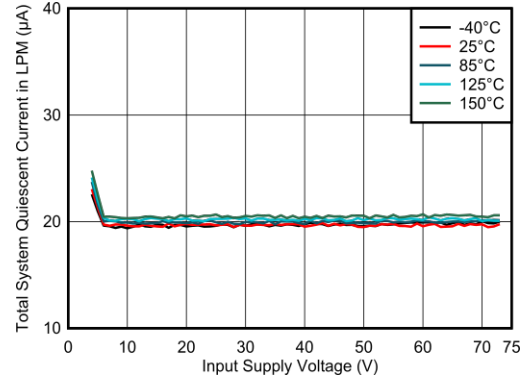


Figure 6-2. Operating Quiescent Current in LPM vs Supply Voltage

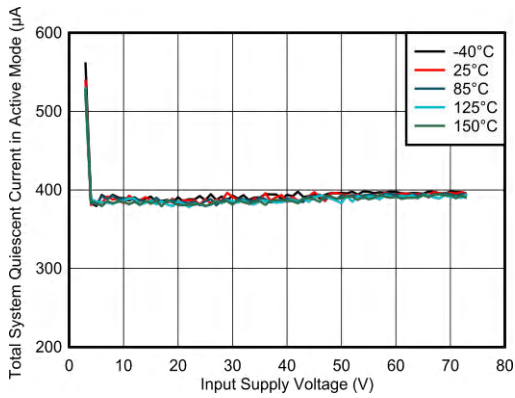


Figure 6-3. Operating Quiescent Current in Active Mode vs Supply Voltage

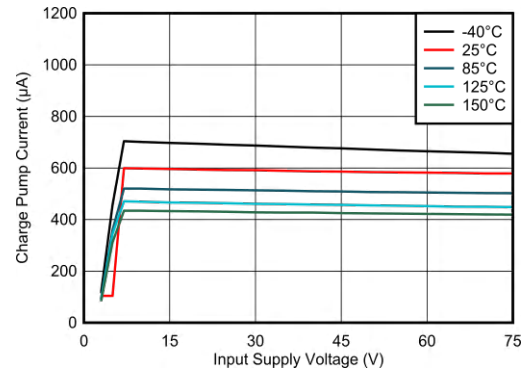


Figure 6-4. Charge Pump Current vs Supply Voltage

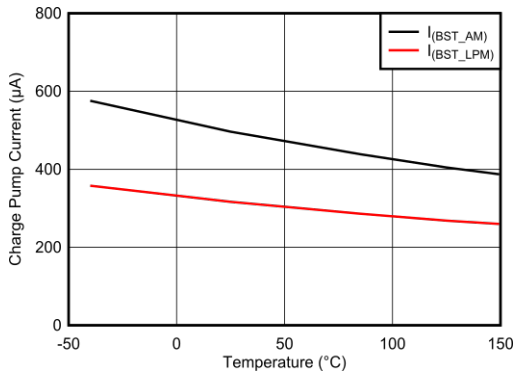


Figure 6-5. Charge Pump Current vs Temperature

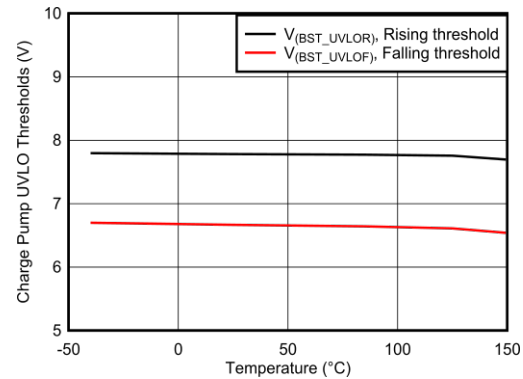
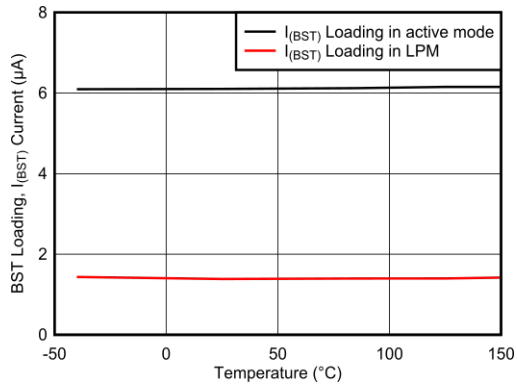


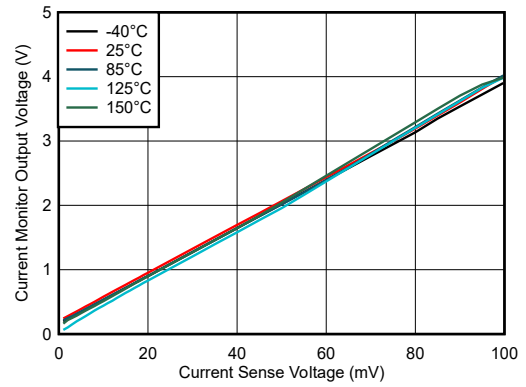
Figure 6-6. Charge Pump UVLO Thresholds vs Temperature

6.7 Typical Characteristics (continued)



$V_{(BST)} = 15V$ $V_{(SRC)} = 0V$

Figure 6-7. BST Loading Current ($I_{(BST)}$) vs Temperature



$R_{(MON)} = 5.6k\Omega$ $R_{(SET)} = 124\Omega$

Figure 6-8. Current Monitor Voltage ($V_{(IMON)}$) vs Sense Voltage ($V_{(SNS)}$)

7 Parameter Measurement Information

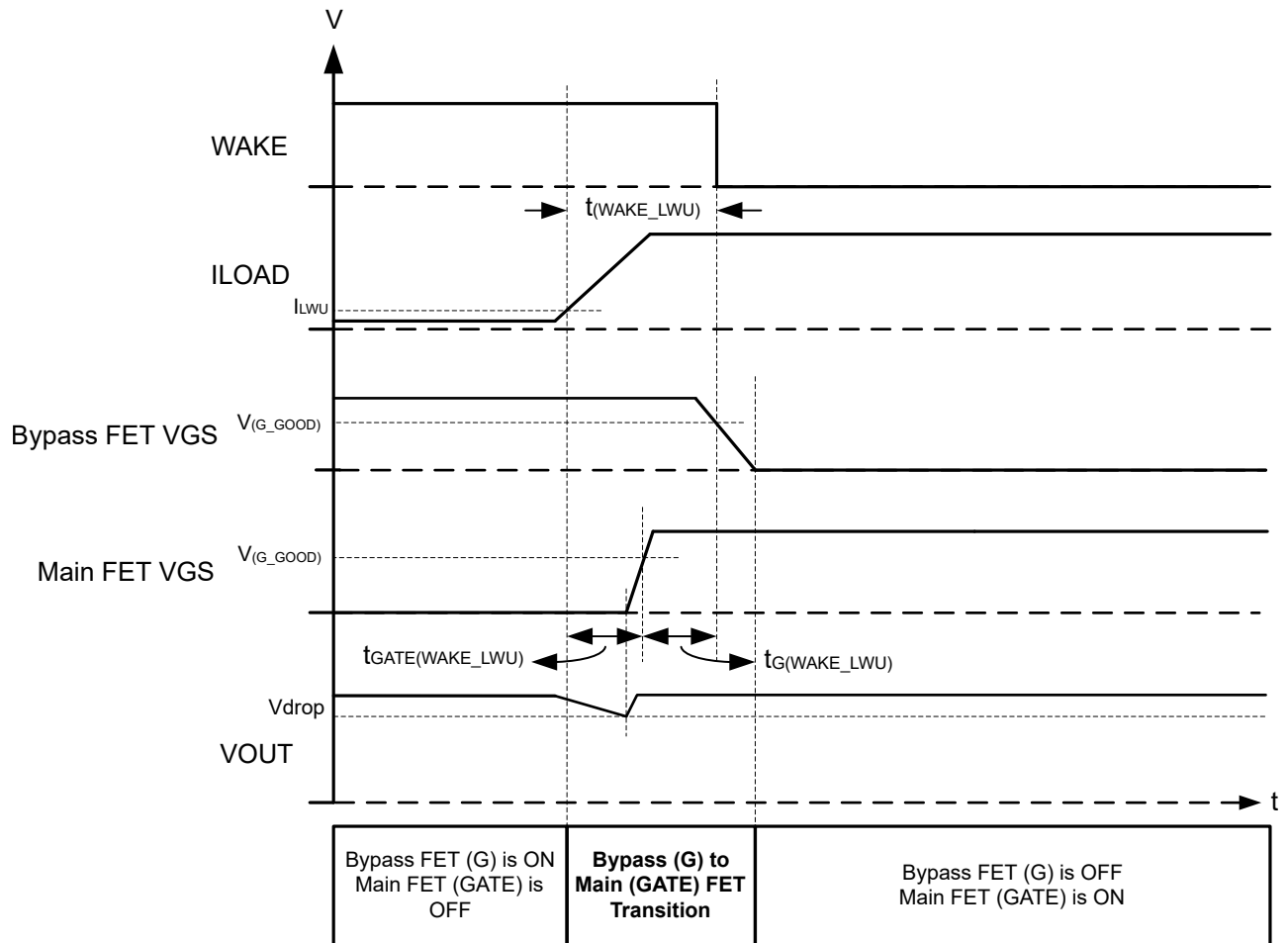


Figure 7-1. System Wake to Active Mode From Low Power Mode by Load Wakeup

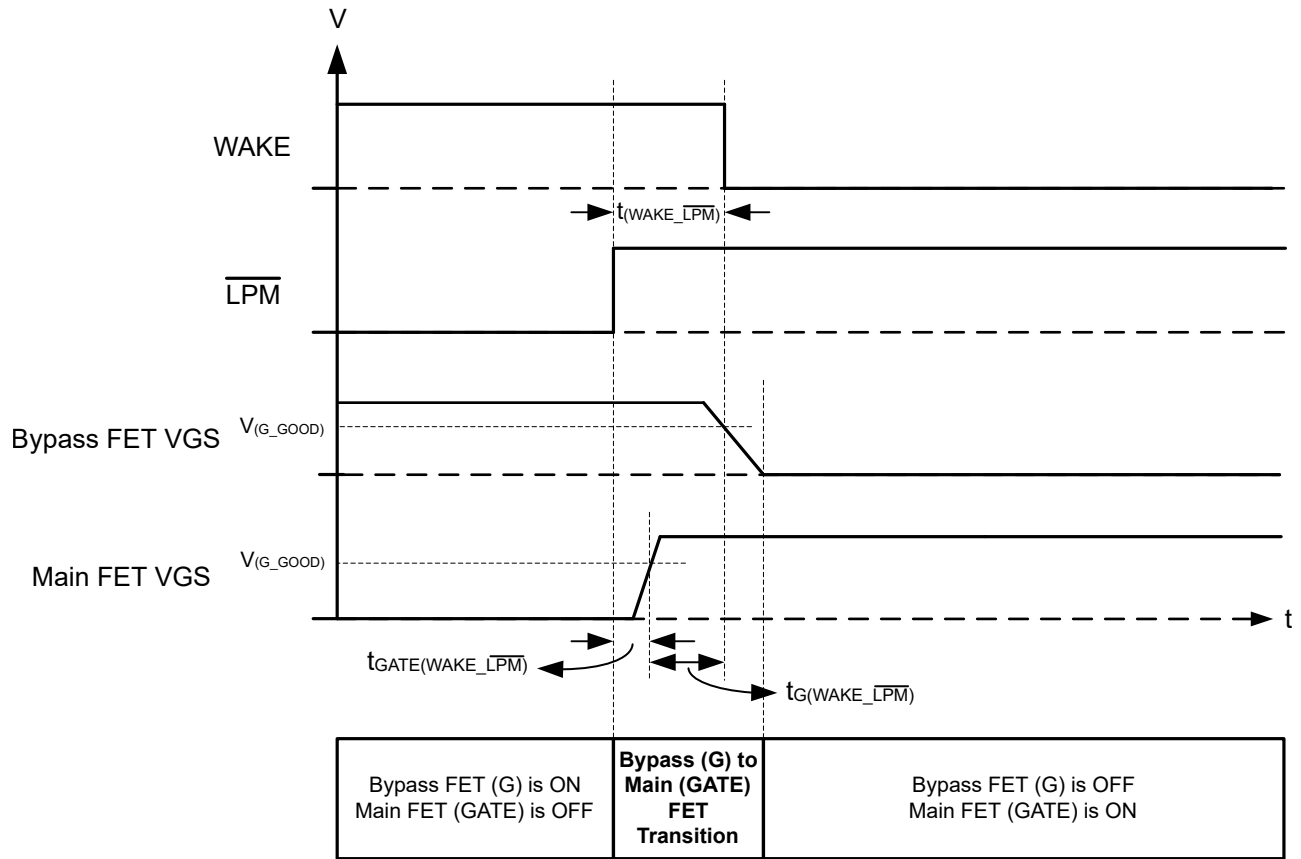


Figure 7-2. System Wake to Active Mode From Low Power Mode by LPM External Trigger

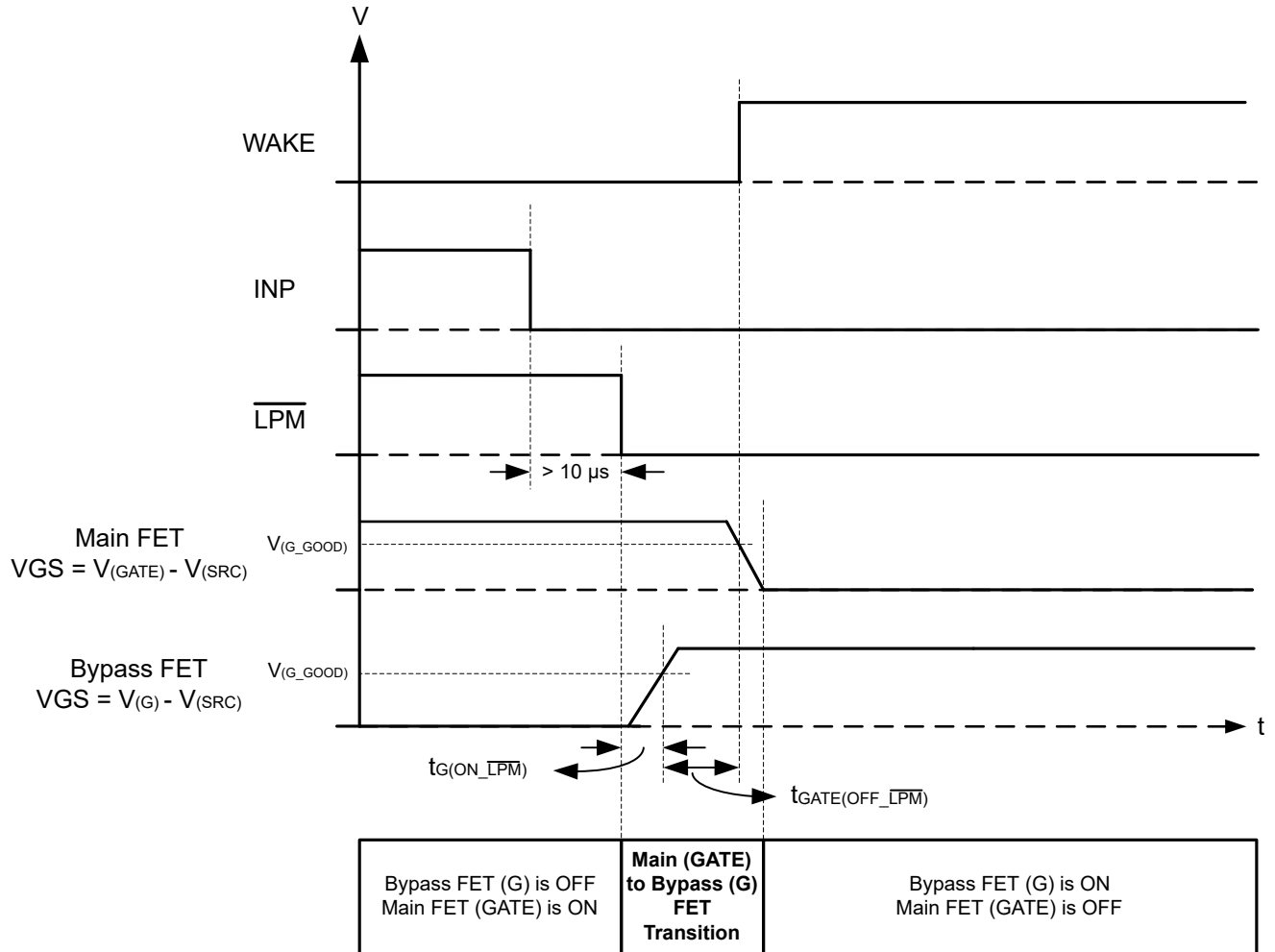


Figure 7-3. Active Mode to Low Power Mode by $\overline{\text{LPM}}$ Trigger

8 Detailed Description

8.1 Overview

TPS1214-Q1 is a family of low I_Q smart high side drivers with protection and diagnostics. The TPS1214x-Q1 has wide operating voltage range of 3.5V to 73V, (74V absolute maximum) the device is suitable for 12V, 24V, and 48V automotive system designs.

TPS1214x-Q1 has two integrated gate drives with 0.5A peak source and 2A sink gate driver to drive FETs in main path and 100 μ A source and 0.39A sink capacity for the low power path. The strong gate drive (GATE) enables power switching using parallel FETs in high current system designs where INP pin can be used as the GATE control input.

In the low power mode with $\overline{\text{LPM}} = \text{Low}$, the low power path FET (G drive) is kept ON and the main FETs (GATE drive) are turned OFF. The device consumes low I_Q of 20 μ A (typ) in this mode. Auto load wakeup threshold and output bulk capacitor charging current can be programmed using R_{BYPASS} resistor placed across CS2+ and CS2– pins in low power path. I_Q reduces to 1 μ A (typical) with EN/UVLO pulled low. The device features WAKE output pin to indicate the mode of operation (Active/Low power mode).

The device has accurate current sensing ($\pm 2\%$ at 30mV V_{SNS}) output (IMON) enabling systems for energy management. The device has integrated accurate and adjustable I^2t based overcurrent and short circuit protection by using an external R_{SNS} resistor. Auto-retry and latch-off fault behavior can be configured.

TPS1214x-Q1 indicate fault on open drain $\overline{\text{FLT}}$ output during overcurrent, short circuit and charge pump under voltage conditions. Diagnosis of the integrated short circuit comparator is possible using external control on SCP_TEST input.

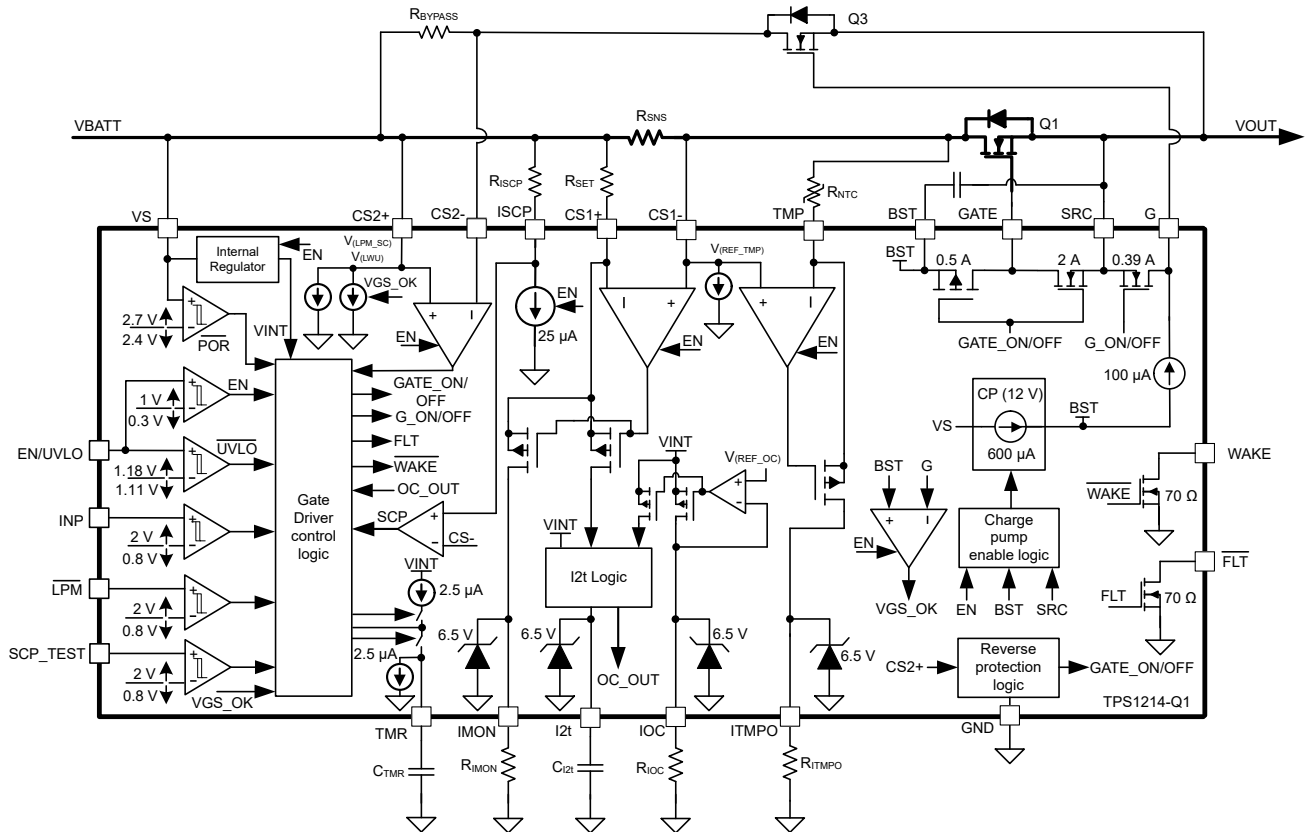
TPS12140-Q1 and TPS12142-Q1 has integrated reverse polarity protection down to –65V and do not need any external components to protect the ICs during an input reverse polarity fault.

TPS12141-Q1 and TPS12143-Q1 variants features GATE drive ON when input reverse polarity fault is detected down to –45V.

The device features NTC based temperature sensing (TMP) and monitor output (ITMPO) output to sense overtemperature of external FETs enabling robust thermal system designs.

The TPS1214x-Q1 is available in a 23-pin QFN package.

8.2 Functional Block Diagram



8.3 Feature Description

8.3.1 Charge Pump and Gate Driver Output (VS, GATE, BST, SRC)

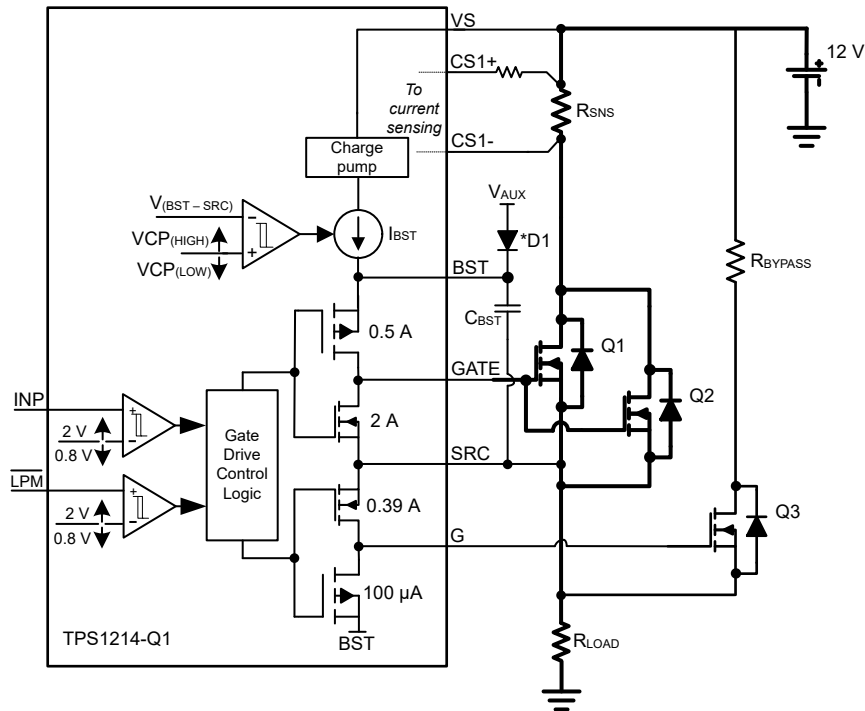


Figure 8-1. Gate Driver

Figure 8-1 shows a simplified diagram of the charge pump and gate driver circuit implementation. The device houses a strong 0.5A/2A peak source/sink gate driver (GATE) for main FETs Q1 Q2, and 100µA/0.39A peak source/sink current gate driver (G) for bypass FET Q3. The strong gate drivers enable paralleling of FETs in high power system designs ensuring minimum transition time in saturation region. A 12V in active mode, 600µA charge pump is derived from VS terminal and charges the external boot-strap capacitor, C_{BST} that is placed across the gate driver (BST and SRC).

VS is the supply pin to the controller. With VS applied and EN/UVLO pulled high, the charge pump turns ON and charges the C_{BST} capacitor. After the voltage across C_{BST} crosses $V_{(BST_UVLOR)}$, the GATE driver section is activated. The device has a 1V (typical) UVLO hysteresis to ensure chattering less performance during initial GATE turn ON. Choose C_{BST} based on the external FET Q_G and allowed dip during FET turn ON. In active mode, the charge pump remains enabled until the BST to SRC voltage reaches $V_{CP(HIGH_AM)}$, typically, at which point the charge pump is disabled decreasing the current draw on the VS pin. The charge pump remains disabled until the BST to SRC voltage discharges to $V_{CP(LOW_AM)}$ typically at which point the charge pump is enabled.

The voltage between BST and SRC continue to charge and discharge between $V_{CP(HIGH_AM)}$ and $V_{CP(LOW_AM)}$ in active mode as shown in the following figure:

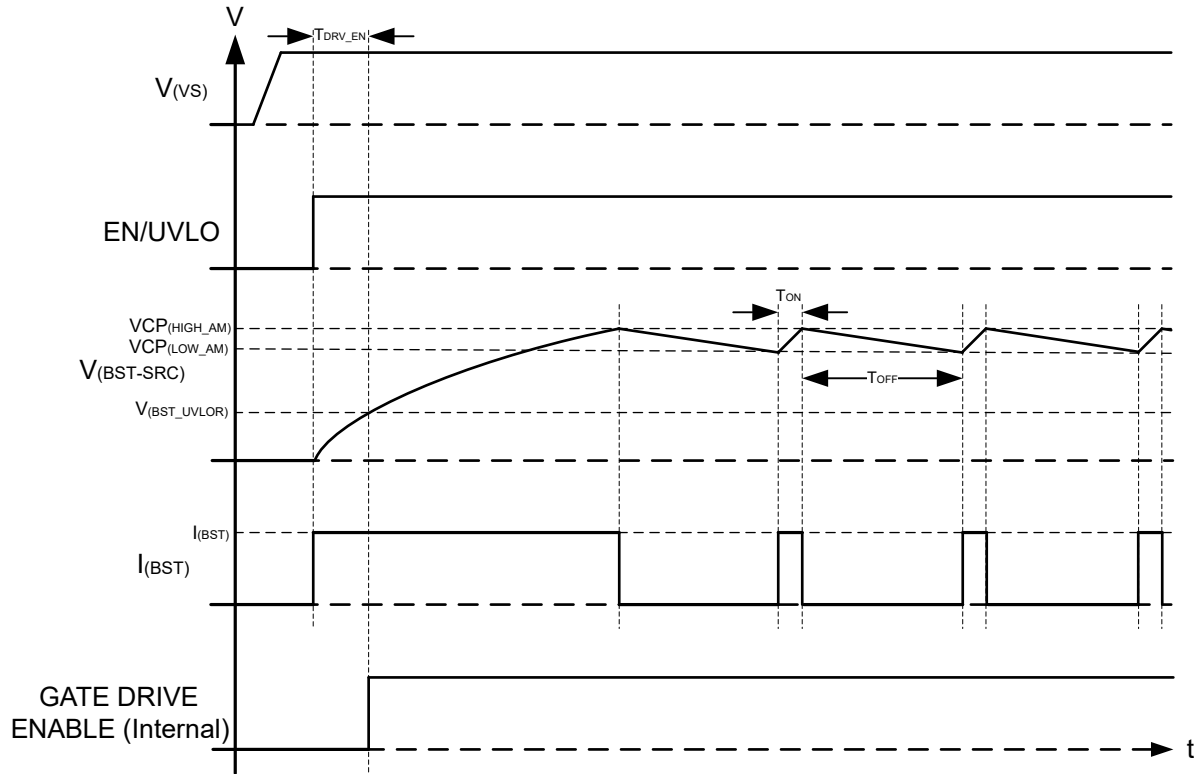


Figure 8-2. Charge Pump Operation

Use the following equation to calculate the initial gate driver enable delay:

$$T_{DRV_EN} = \frac{C_{BST} \times V_{(BST_UVLOR)}}{600 \mu A} \quad (1)$$

Where,

C_{BST} is the charge pump capacitance connected across BST and SRC pins.

$V_{(BST_UVLOR)} = 7.6V$ (typ).

If T_{DRV_EN} needs to be reduced then pre-bias BST terminal externally using an external VAUX or input supply through a low leakage diode D1 as shown in [Figure 8-3](#). With this connection, T_{DRV_EN} reduces to 350 μs .

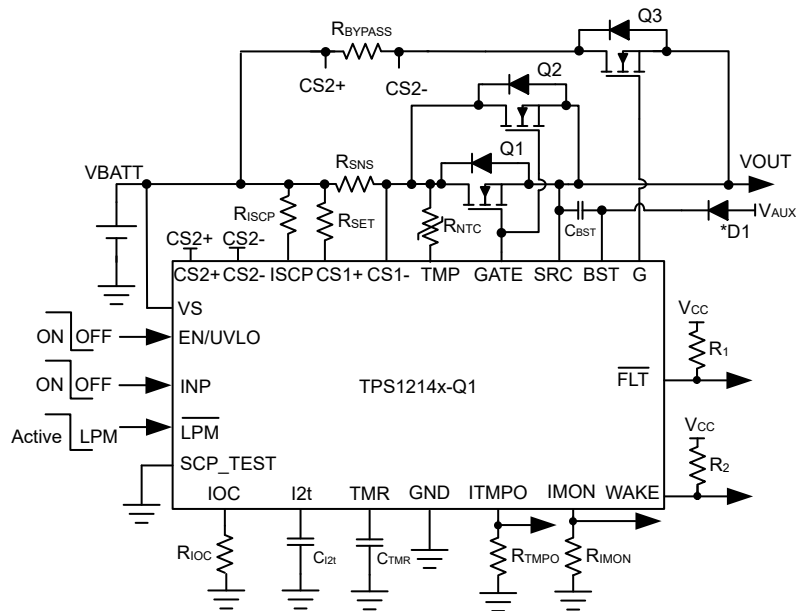


Figure 8-3. TPS1214x-Q1 Application Circuit With External Supply to BST

Note

V_{AUX} can be supplied by external supply ranging between 8.1V and 15V. Input supply VS can also be connected to BST via D1 diode for reducing T_{DRV_EN} .

8.3.2 Capacitive Load Driving

Certain end equipment like automotive power distribution unit and zonal controller power different loads including other ECUs. These ECUs can have large input capacitances. If power to the ECUs is switched on in uncontrolled way, large inrush currents can occur and potentially damaging the power FETs.

To limit the inrush current during capacitive load switching, the following system design techniques can be used with TPS1214-Q1 device.

8.3.2.1 Using Low Power Bypass FET (G Drive) for Load Capacitor Charging

In high-current applications where several FETs are connected in parallel in main path, the gate slew rate control for the main FETs is not recommended due to unequal distribution of inrush currents among the FETs resulting in over sizing of the FETs.

The TPS1214-Q1 integrates pre-charge gate driver (G) with a dedicated control input (\overline{LPM}) and bypass comparator between CS2+ and CS2- pins. This feature can be used to drive a separate low power bypass FET and pre-charge the capacitive load with inrush current limiting. Figure 8-4 shows the low power bypass FET implementation for capacitive load charging using TPS1214-Q1. An external capacitor C_g reduces the gate turn ON slew rate and controls the inrush current.

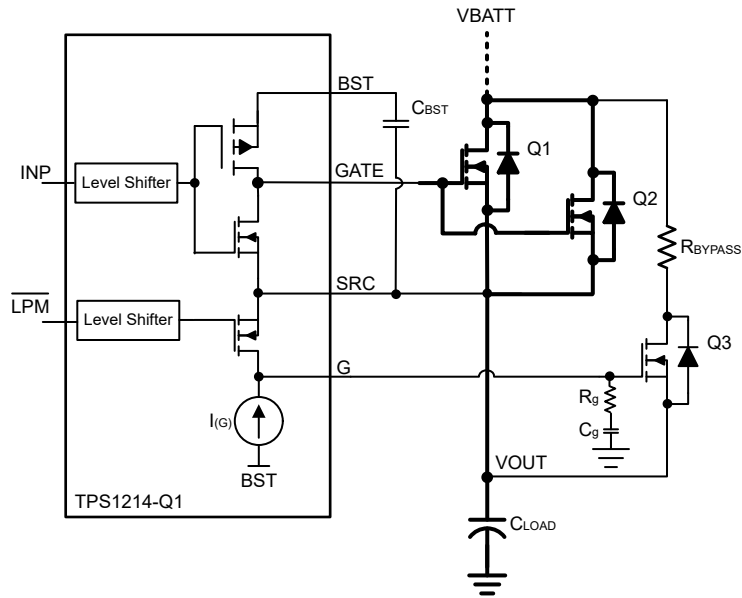


Figure 8-4. Capacitor Charging Using Gate (G) Slew Rate Control of Low Power Bypass FET

During power-up with EN/UVLO pulled high and $\overline{\text{LPM}}$ pulled low, the device turns ON bypass FET (G drive) by pulling G high with $100\mu\text{A}$ of source current and the main path (GATE) is kept OFF.

In this low power mode (LPM), TPS1214-Q1 senses voltage between CS2+ and CS2– pins along with VGS of bypass FET (G to SRC). The voltage across CS2+ and CS2– is compared initially with $V_{(\text{LPM_SCP})}$ threshold (2V typical) to detect powerup into short fault event until $V_{(\text{G_GOOD})}$ threshold is reached.

After $V_{(\text{G_GOOD})}$ threshold is reached, the voltage between CS2+ and CS2– is compared against $V_{(\text{LWU})}$ threshold (200mV typ) for load wakeup event. With this scheme capacitor charging current (I_{INRUSH}) can be set at higher than load wakeup threshold (I_{LWU}) and power-up into short event can also be detected reliably as shown in below timing diagram:

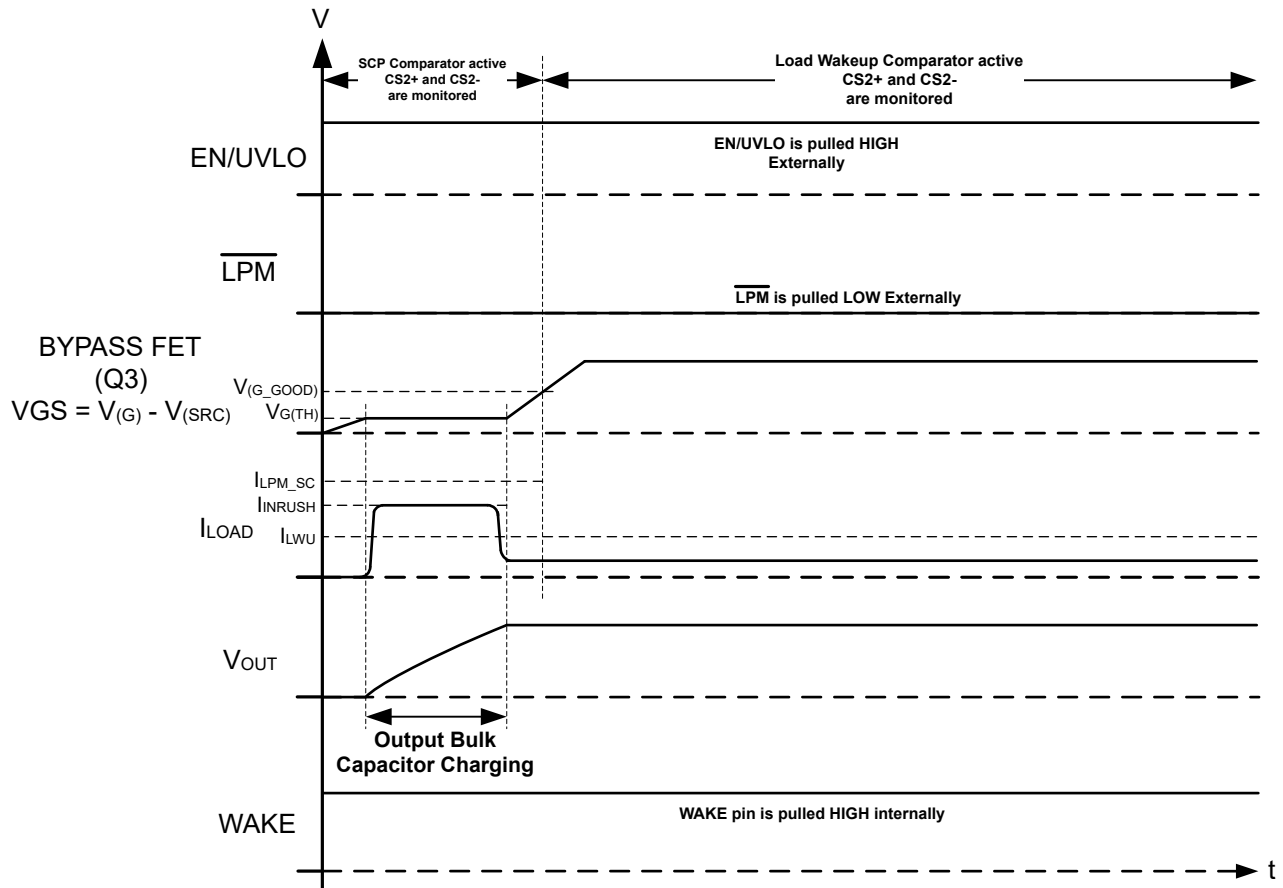


Figure 8-5. Timing Diagram for Bulk Capacitor Charging Using Bypass Path

Setting the Load Wakeup Trigger Threshold:

During normal operation, the series resistor R_{BYPASS} is used to set load wakeup current threshold. After V_{G_GOOD} threshold is reached, the voltage between $CS2+$ and $CS2-$ is compared against $V(LWU)$ threshold (200mV typ) for load wakeup event.

R_{BYPASS} can be selected using below equation:

$$R_{BYPASS} = \frac{V(LWU)}{I_{LWU}} \tag{2}$$

Setting the INRUSH Current:

Use Equation 3 to calculate the I_{INRUSH} :

$$I_{INRUSH} = C_{LOAD} \times \frac{V_{BATT}}{T_{charge}} \tag{3}$$

Where,

C_{LOAD} is the load capacitance.

V_{BATT} is the input voltage and T_{charge} is the charge time.

I_{INRUSH} should be always less than wakeup in short in low power mode (I_{LPM_SC}) current which can be calculated using following equation:

$$I_{LPM_SC} = \frac{V_{(LPM_SCP)}}{R_{BYPASS}} \quad (4)$$

Use Equation 5 to calculate the required C_g value.

$$C_g = \frac{C_{LOAD} \times I_{(G)}}{I_{INRUSH}} \quad (5)$$

Where,

$I_{(G)}$ is 100 μ A (typical),

A series resistor R_g must be used in conjunction with C_g to limit the discharge current from C_g during turn-off. The recommended value for R_g is between 220 Ω to 470 Ω .

After the output capacitor is charged, main FETs can be controlled (GATE drive) and bypass FET (G drive) can be turned OFF by driving \overline{LPM} high externally. The main FETs (G drive) can now be turned ON by driving INP high.

Figure 8-6 shows application circuit to charge large output capacitors using low power bypass path in high current applications.

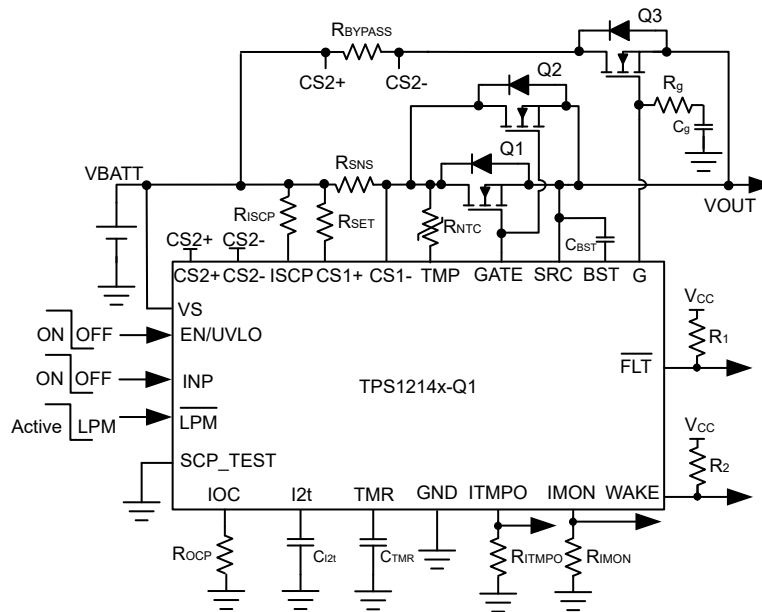


Figure 8-6. TPS1214-Q1 Application Circuit for Capacitive Load Driving Using Low Power Bypass FET (Q3) and Series Resistor (RBYPASS)

8.3.2.2 Using Main FET (GATE drive) Gate Slew Rate Control

In the applications where low power bypass path is not used, the cap charging can be done using main FET GATE drive control.

For limiting inrush current during turn-ON of the main FET with capacitive loads, use R_1 , R_2 , C_1 , D_2 as shown in Figure 8-7. The R_1 and C_1 components slow down the voltage ramp rate at the gate of main FET. The FET source follows the gate voltage resulting in a controlled voltage ramp across the output capacitors.

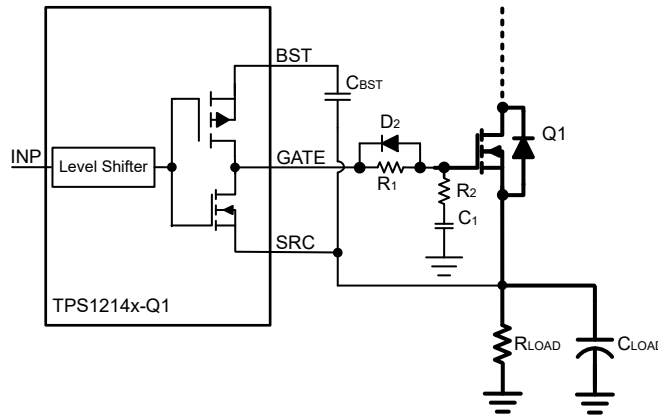


Figure 8-7. Inrush Current Limiting in Main Path

Use the [Equation 6](#) to calculate the inrush current during turn-ON of the FET.

$$I_{\text{INRUSH}} = C_{\text{LOAD}} \times \frac{V_{\text{BATT}}}{T_{\text{charge}}} \quad (6)$$

$$C_1 = \frac{0.63 \times V_{(\text{BST} - \text{SRC})} \times C_{\text{LOAD}}}{R_1 \times I_{\text{INRUSH}}} \quad (7)$$

Where,

C_{LOAD} is the load capacitance.

V_{BATT} is the input voltage and T_{charge} is the charge time.

$V_{(\text{BST-SRC})}$ is the charge pump voltage (12V).

Use a damping resistor R_2 (~10 Ω) in series with C_1 . [Equation 8](#) can be used to compute required C_1 value for a target inrush current. A 100k Ω resistor for R_1 can be a good starting point for calculations.

D_2 ensures fast turn OFF of GATE drive by bypassing R_1 .

C_1 results in an additional loading on C_{BST} to charge during turn-ON. Use below equation to calculate the required C_{BST} value:

$$C_{\text{BST}} = \frac{Q_{\text{g}(\text{total})}}{\Delta V_{\text{BST}}} + 10 \times C_1 \quad (8)$$

Where,

$Q_{\text{g}(\text{total})}$ is the total gate charge of the FET,

ΔV_{BST} (1V typical) is the ripple voltage across BST to SRC pins.

8.3.3 Overcurrent and Short-Circuit Protection

TPS1214-Q1 features integrated accurate I^2t functionality for the implementation of a robust and flexible overcurrent protection mechanism. This I^2t functionality features an intelligent circuit breaking aimed at protecting PCB traces, connectors and wire harness from overheating, with no impact on load transients like inrush currents and bulk capacitor charging.

The device also features accurate and configurable short-circuit protection threshold (I_{SC}) with fixed response time ($t_{SC} = 5\mu s$ max).

Figure 8-8 shows the overall current-time characteristics.

- Configurable I^2t based overcurrent protection (I_{OC}) threshold and adjustable response time (t_{OC} and t_{OC_MIN})
- Adjustable short-circuit threshold (I_{SC}) with internally fixed fast response (t_{SC})

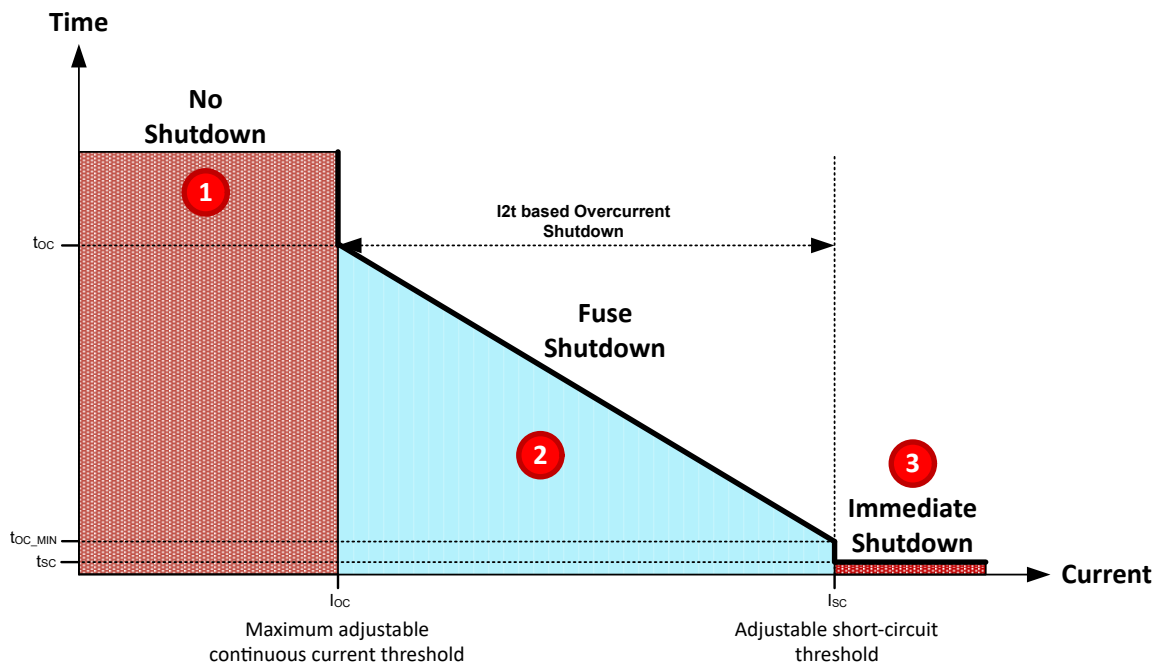


Figure 8-8. Configurable Current vs Time Characteristics Curve for TPS1214-Q1

8.3.3.1 I²t-Based Overcurrent Protection

The I²t profile for TPS1214-Q1 is set by two parameters which are I²t start overcurrent threshold, I_{OC} and I²t ampere squared second factor (melting point or breaking point). The overcurrent protection time t_{OC} is determined based on set I²t factor when load current is higher than set I_{OC} threshold.

Setting I²t Protection Starting Threshold, R_{IOC}

The I²t protection starting threshold I_{OC} is set using an external resistor R_{IOC} across IOC and GND pins.

Use Equation 9 to calculate the required R_{IOC} value:

$$R_{IOC} (\Omega) = \frac{V_{(REF_OC)}}{K \times (I_{OC})^2} \quad (9)$$

Where,

V_(REF_OC) is internal reference voltage of 200mV,

I_{OC} is the overcurrent level

The scaling factor, K can be calculated by Equation 10:

$$\text{Scaling factor (K)} = \frac{\left(0.1 \times \frac{R_{SNS}}{R_{SET}}\right)^2}{I_{BIAS}} \quad (10)$$

Where,

I_{BIAS} is internal reference current of 5μA,

R_{SET} is the resistor connected across CS1+ and input battery supply,

R_{SNS} is the current sense resistor.

Setting I²t Profile, C_{I2t}

The device senses the voltage across the external current sense resistor (R_{SNS}) through CS1+ and CS1-. When sensed voltage across R_{SNS} exceeds I_{OC} threshold set by R_{IOC} resistor, C_{I2t} capacitor starts charging with current proportional to I_{LOAD}² – I_{OC}² current.

The time to turn OFF the gate drive at maximum overcurrent limit (I_{OC_MAX}) can be determined using below equation:

$$t_{OC_MIN} (s) = \frac{\text{I2T factor}}{I_{OC_MAX} \times I_{OC_MAX}} \quad (11)$$

Note

The maximum overcurrent limit (I_{OC_MAX}) can 5 to 10% below short-circuit protection threshold (I_{SC}).

Use Equation 12 to calculate the required C_{I2t} value.

$$C_{I2t} (F) = \frac{K \times t_{OC_MIN}}{V_{(I2t_OC)} - V_{(I2t_OFFSET)}} \times [I_{OC_MAX}^2 - I_{OC}^2] \quad (12)$$

Where,

V_(I2t_OC) is I²t trip threshold voltage of 2V (typ),

V_(I2t_OFFSET) is offset voltage of 500mV (typ) on I2t pin during normal operation,

t_{OC_MIN} is the desired overcurrent response time at maximum overcurrent threshold I_{OC_MAX}.

8.3.3.1.1 I²t-Based Overcurrent Protection With Auto-Retry

The C_{I2t} programs the over current protection delay (t_{OC_MIN}) and C_{TMR} programs auto-retry time (t_{RETRY}). Once the voltage across CS1+ and CS1– exceeds the set point (V_(OCF)), the C_{I2t} capacitor starts charging with current proportional to I_{LOAD}² – I_{OC}² current.

After C_{I2t} charges to V_(I2t_OC), GATE pulls low to SRC turning OFF the main FET and $\overline{\text{FLT}}$ asserts low as same time. Post this event, the auto-retry behavior starts. The C_{TMR} starts charging with 2.5µA pullup current till voltage reaches V_(TMR_HIGH) level. After this level, capacitor starts discharging with 2.5µA pulldown current.

After the voltage reaches V_(TMR_LOW) level, the capacitor starts charging again with 2.5µA pullup. After 32 charging-discharging cycles of C_{TMR} the FET turns ON back and $\overline{\text{FLT}}$ de-asserts.

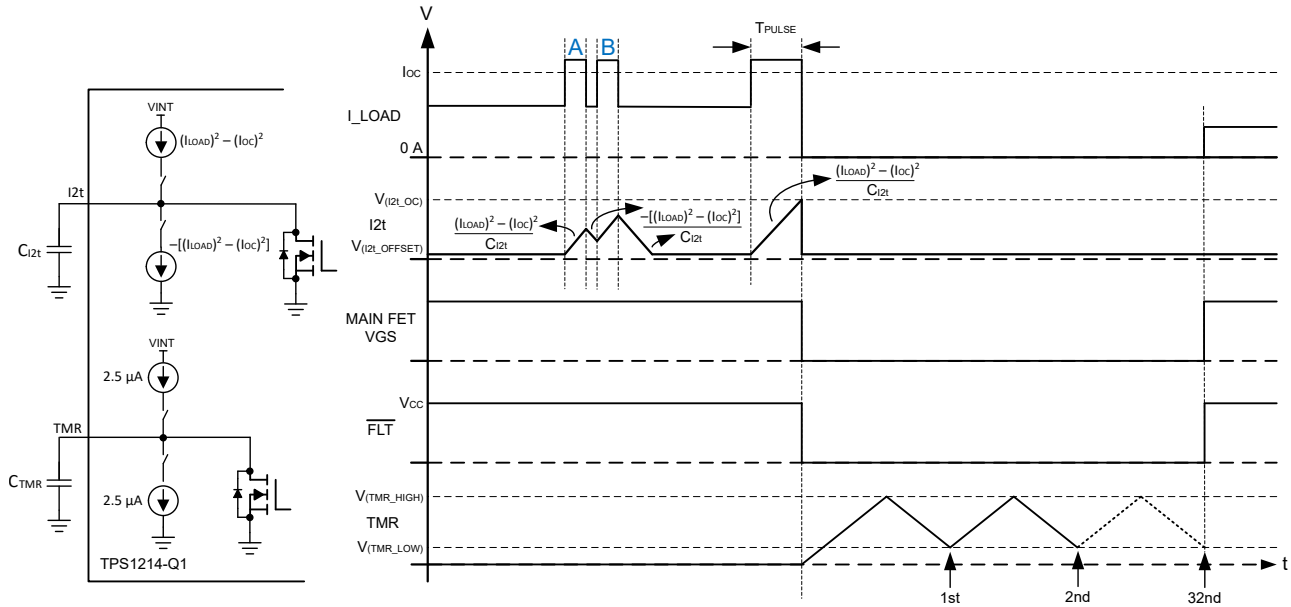


Figure 8-9. I²t-Based Overcurrent Protection With Auto-Retry

The auto-retry time can be set by CTMR capacitor to be connected across TMR and GND pins as per [Equation 13](#).

$$t_{\text{RETRY}} \text{ (s)} = 64 \times C_{\text{TMR}} \times \left[\frac{V_{(\text{TMR_HIGH})} - V_{(\text{TMR_LOW})}}{I_{(\text{TMR_SRC})}} \right] \quad (13)$$

where

V_(TMR_HIGH) is 1.2V (typ) and V_(TMR_LOW) is 0.2V (typ)

I_(TMR_SRC) is internal source current on TMR pin with 2.5µA (typ) value

8.3.3.1.2 I²t-Based Overcurrent Protection With Latch-Off

Connect 100kΩ resistor across TMR pin to GND for latch-off configuration.

Latch is reset on falling edge of INP or $\overline{\text{LPM}}$ going low or EN/UVLO (below $V_{(\text{ENF})}$) or power cycle VS below $V_{(\text{VS_PORF})}$. At low edge, the timer counter is reset and C_{TMR} is discharged. GATE pulls up to BST when INP is pulled high.

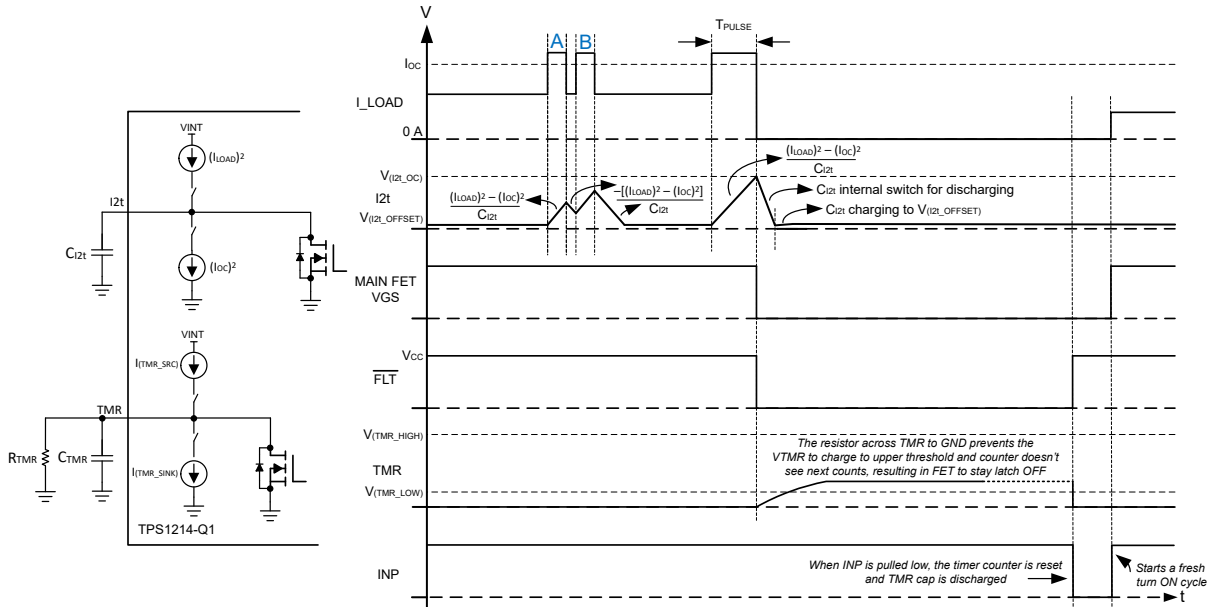


Figure 8-10. I²t-Based Overcurrent Protection With Latch-Off

8.3.3.2 Short-Circuit Protection

The short-circuit current threshold (I_{SC}) can be set R_{ISCP} resistor. Use Equation 14 to calculate the required R_{ISCP} value.

$$R_{\text{ISCP}} \text{ (k}\Omega\text{)} = \frac{I_{\text{SC}} \times R_{\text{SNS}} - 1.8}{I_{\text{SCP}}} \tag{14}$$

where

I_{SC} is the short-circuit current threshold in Ampere,

R_{SNS} is external current sense resistor in milliohms,

I_{SCP} is the internal reference current of 25μA.

When the load current exceeds the I_{SC} threshold then, GATE pulls low to SRC within 5μs (max) in TPS1214-Q1, protecting the main path FETs and FLT asserts low at the same time. Subsequent to this event, the charge and discharge cycles of C_{TMR} starts similar to the behavior post FET OFF event in the overcurrent protection scheme.

Latch-off can also achieved in the similar way as explained in the overcurrent protection scheme.

8.3.4 Analog Current Monitor Output (IMON)

TPS1214-Q1 features an accurate analog load current monitor output (IMON) with adjustable gain. The current source at IMON terminal is configured to be proportional to the current flowing through the R_{SNS} current sense resistor. This current can be converted to a voltage using a resistor R_{IMON} from IMON terminal to GND pins.

This voltage, computed using following equation, can be used as a means of monitoring current flow through the system.

Use Equation to calculate the $V_{(IMON)}$ for TPS12140-Q1 and TPS12141-Q1 variant with I^2t enabled.

$$V_{(IMON)} = \left(V_{SNS} + V_{(VOS_SET)} \right) \times \frac{0.9 \times R_{IMON}}{R_{SET}} \quad (15)$$

Use Equation to calculate the $V_{(IMON)}$ for TPS12142-Q1 and TPS12143-Q1 variant with I^2t disabled.

$$V_{(IMON)} = \left(V_{SNS} + V_{(VOS_SET)} \right) \times \frac{R_{IMON}}{R_{SET}} \quad (16)$$

Where,

$$V_{SNS} = I_{LOAD} \times R_{SNS},$$

$V_{(OS_SET)}$ is the input referred offset ($\pm 140\mu V$) of the current sense amplifier (V_{SNS} to $V_{(IMON)}$ scaling),

0.9 is the current mirror factor between the current sense amplifier and the IMON pass FET.

The maximum voltage range for monitoring the current ($V_{(IMONmax)}$) is limited to minimum($[V_{(VS)} - 0.5V]$, 5.5V)

to ensure linear output. This puts limitation on maximum value of R_{IMON} resistor. The IMON pin has an internal clamp of 6.5V (typical).

Accuracy of the current mirror factor is $< \pm 1\%$. Use the following equation to calculate the overall accuracy of $V_{(IMON)}$.

$$\% V_{(IMON)} = \frac{V_{(OS_SET)}}{V_{SNS}} \times 100 \quad (17)$$

8.3.5 NTC-Based Temperature Sensing (TMP) and Analog Monitor Output (ITMPO)

TPS1214-Q1 features an integrated temperature monitoring amplifier (ON in active mode and load wakeup only). This temperature monitoring function is implemented with a differential amplifier with input pin as TMP and output as ITMPO.

The output is an analog voltage signal: V_{ITMPO} represents the temperature in the R_{NTC} . It can be directly read on pin ITMPO (Temperature monitoring output) by a microcontroller.

R_{NTC} is the NTC thermistor resistance which varies with the temperature and R_{TMP} is a normal resistor used to linearize the thermistor behavior with respect to temperature, positioned as per [Figure 8-11](#):

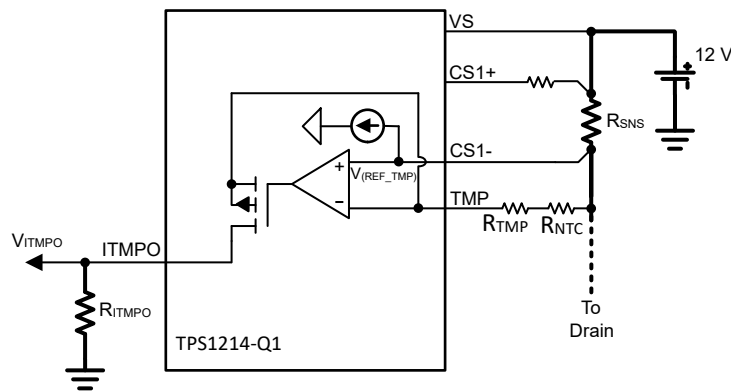


Figure 8-11. NTC based Temperature Sensing and Monitoring Output

V_{ITMPO} can be calculated based on following equation:

$$V_{ITMPO} = (V_{REF_TMP} + V_{TMP_OFFSET}) \times \frac{R_{ITMPO}}{(R_{NTC} + R_{TMP})} \quad (18)$$

Where,

V_{REF_TMP} is 500mV (typical)

V_{TMP_OFFSET} is ± 5 mV

R_{TMP} is 330 Ω for 10k NTC at 25°C

R_{TMP} is 1k Ω for 47k NTC at 25°C

8.3.6 Fault Indication and Diagnosis (\overline{FLT} , SCP_TEST)

The TPS1214-Q1 features integrated charge pump UVLO feature. The voltage across BST-SRC is internally monitored. If the voltage is $< V_{(BST_UVLO)}$ then \overline{FLT} is asserted low. Both the GATE and G gate drives also get disabled in this condition turning OFF main and bypass FETs. \overline{FLT} gets de-asserted and gate drivers get enabled when BST to SRC voltage rises above $V_{(BST_UVLO)}$.

\overline{FLT} asserts low in TPS1214-Q1 when short-circuit or I^2t based overcurrent or charge pump UVLO is detected.

In the safety critical designs, short-circuit protection (SCP) feature and its diagnosis (SCP_TEST) is important.

The TPS1214-Q1 also features the diagnosis of the internal short circuit protection. SCP_TEST diagnosis can be done in low power mode or active mode.

- **Short-circuit protection diagnosis in active mode:**

When SCP_TEST is driven low to high in active mode then, a voltage is applied internally across the SCP comparator inputs to simulate a short circuit event. The comparator output controls the gate drive (GATE) and also the \overline{FLT} . If the gate drive goes low (with initially being high due to INP = High) and \overline{FLT} also goes low then it indicates that the SCP is good otherwise it is to be treated as SCP feature is not functional.

- **Short-circuit protection diagnosis in low power mode:**

When SCP_TEST is driven low to high in low power mode then, internal short-circuit protection (SCP) comparator wakeup up in low power mode and a voltage is applied internally across the SCP comparator inputs to simulate a short circuit event. The comparator output controls the \overline{FLT} . If the \overline{FLT} also goes low then it indicates that the SCP is good otherwise it is to be treated as SCP feature is not functional. G drive remains ON while SCP_TEST is pulled high. This ensures output always connected to input during diagnosis in low power mode.

8.3.7 Reverse Polarity Protection

The TPS1214x-Q1 devices features integrated reverse polarity protection to protect the device from failing during input and output reverse polarity faults. Reverse polarity faults occur during installation and maintenance of the end equipment's. The device is tolerant to reverse polarity voltages down to -65 V both on input and on the output.

TPS12140-Q1 and TPS12142-Q1 variants turn OFF Back to back FETs (GATE) when input reverse battery events -65 V is detected to protect the load.

TPS12141-Q1 and TPS12143-Q1 variants integrate GATE drive turn ON when input reverse battery fault is detected down to -45 V. This feature is mainly useful for heater loads and enables use of single power FET in main path saving space and BOM cost.

On the output side, the device can see transient negative voltages during regular operation due to output cable harness inductance kickbacks when the switches are turned OFF. In such systems the output negative voltage level is limited by the output side TVS or a diode.

8.3.8 Undervoltage Protection (UVLO)

TPS1214-Q1 features an accurate undervoltage protection using EN/UVLO pin. When EN/UVLO pin voltage goes below 1.2V (typ), then GATE and G goes low.

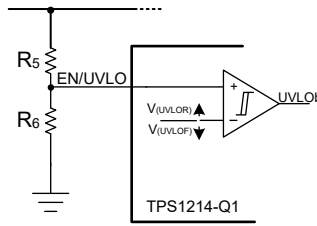


Figure 8-12. Programming Undervoltage Protection Threshold

8.4 Device Functional Modes

8.4.1 State Diagram

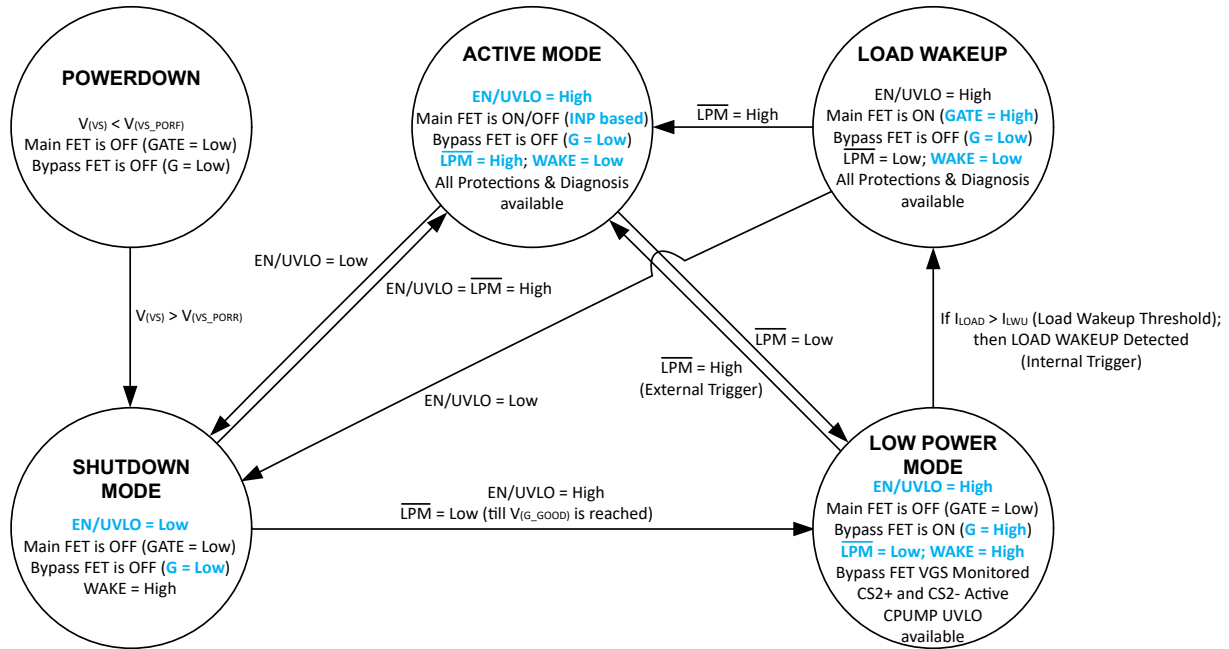


Figure 8-13. State Diagram

8.4.2 State Transition Timing Diagram

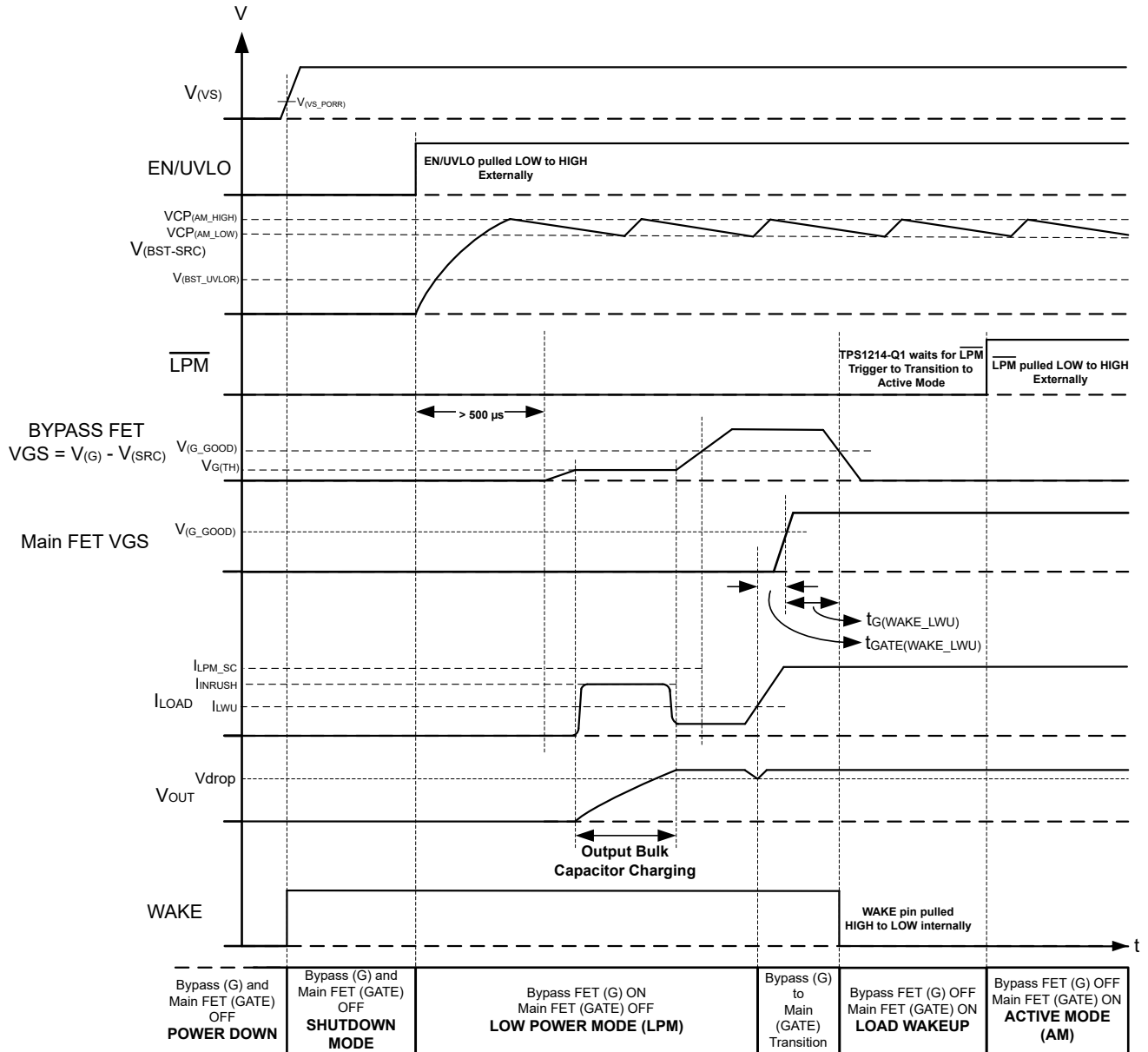


Figure 8-14. State Transition Timing Diagram With Load Wakeup Event

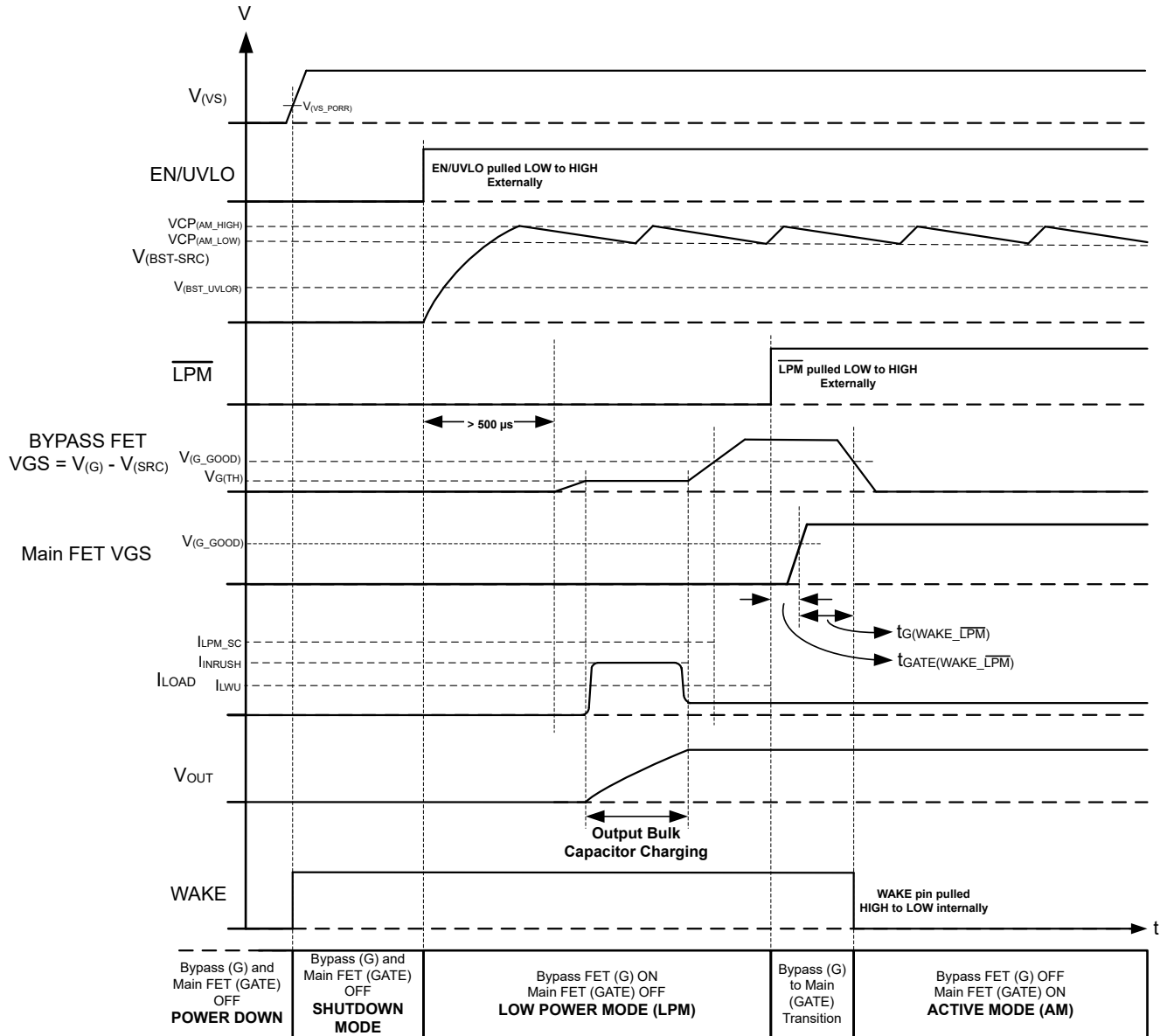


Figure 8-15. State Transition Timing Diagram With \overline{LPM} Trigger

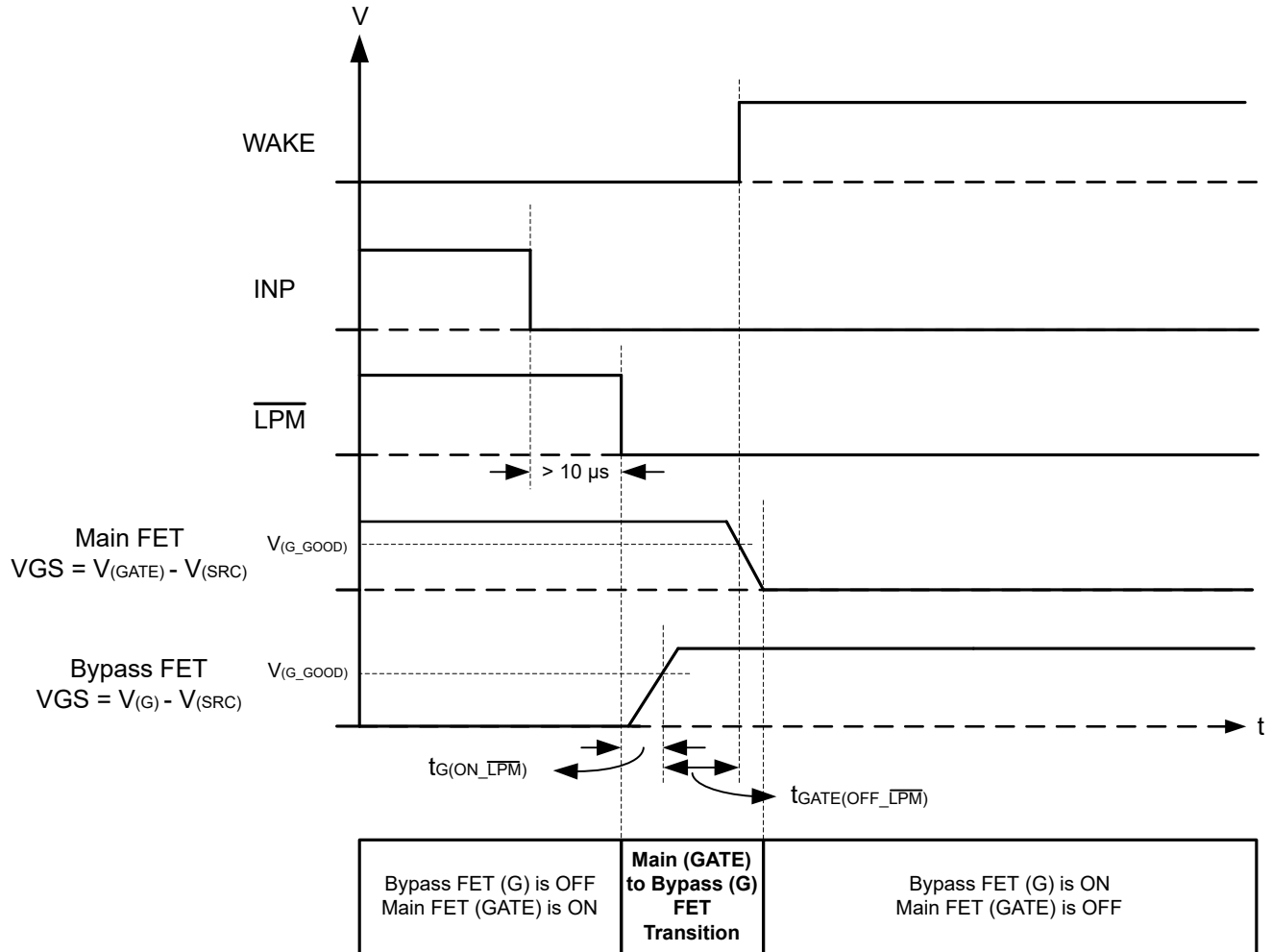


Figure 8-16. $\overline{\text{LPM}}$ and INP Signal Sequencing Consideration to Enter Into Low Power Mode From Active Mode

8.4.3 Power Down

If applied VS voltage is below $V_{(VS_PORF)}$ then the device is in disabled state. In this mode, the charge pump and all the protection features are disabled. Both the gate drive outputs (GATE and G) are low.

8.4.4 Shutdown Mode

With $VS > V_{(VS_PORR)}$ and EN/UVLO pulled $< V_{(ENF)}$, the device transitions to low I_Q shutdown mode. In this mode, the charge pump and all the protection features are disabled. Both the gate drive outputs (GATE and G) are low. The device consumes low I_Q of 1- μA (typical) in this mode.

- **Shutdown to Low Power Mode:**

To transition from shutdown to low power mode, drive EN/UVLO high ($> V_{(ENR)}$) and simultaneously drive $\overline{\text{LPM}}$ low for $> 500\mu\text{s}$.

- **Shutdown to Active Mode:**

To transition from shutdown to active mode directly, drive EN/UVLO and $\overline{\text{LPM}}$ together high at same time.

8.4.5 Low Power Mode (LPM)

The device transitions from shutdown to low power mode when EN/UVLO is driven high ($> V_{(ENR)}$) and $\overline{\text{LPM}}$ is driven low for $> 500\mu\text{s}$ simultaneously.

The device can also transition from active mode to low power mode when $\overline{\text{LPM}}$ is pulled low. When entering from active mode to low power mode, $\overline{\text{LPM}}$ and INP signal sequencing consideration can be followed as per [Figure 8-16](#). Pulling INP low before $\overline{\text{LPM}}$ results in main FET (GATE drive) turning OFF which can cause output voltage droop momentarily before bypass FET (G drive) turns ON. Pulling INP low after at least 10- μs of $\overline{\text{LPM}}$ is pulled low makes a seamless transition from active to low power mode without any output voltage dip.

In this mode, charge pump and G gate drive are enabled. The main FET (GATE drive) is OFF and bypass FET (G drive) is turned ON and WAKE pin asserts high in this state. TPS1214-Q1 consumes low I_Q of 20- μA (typical) in low power mode.

The device transitions from low power mode to active mode when:

- **External Trigger:** $\overline{\text{LPM}}$ is pulled high externally
- **Internal Trigger:** Load current exceeds load wakeup trigger threshold (I_{LWU})

After load current exceeds load wakeup threshold (I_{LWU}), the device automatically turns ON main FET (GATE drive) first and bypass FET (G drive) is turned OFF after main FET (GATE drive) has fully turned ON and WAKE asserts low indicating the exit from the low power mode.

The device waits for external $\overline{\text{LPM}}$ signal to go high to transition into Active mode.

Protections available in low power mode are:

- **Input UVLO:** Bypass FET (G drive) is turned OFF when voltage on EN/UVLO falls below $V_{(\text{UVLOF})}$.
- **Charge pump UVLO:** Bypass FET (G drive) is turned OFF when voltage between BST to SRC falls below $V_{(\text{BST_UVLOF})}$ and $\overline{\text{FLT}}$ asserts low.
- **Bypass FET Short-circuit Protection (Wakeup in short):** This protection is available until VGS of bypass FET (G to SRC) reaches $V_{\text{G_GOOD}}$ threshold. If voltage across CS2+ and CS2– exceeds the set short-circuit threshold $V_{(\text{LPM_SCP})}$ then, the device transitions to LOAD WAKEUP state by turning ON main FET (GATE drive) within $t_{\text{LPM_SC}}$ time.

In LOAD WAKEUP state if load current is still high and exceeds set short-circuit threshold (V_{SCP}) then, the device turns OFF main path (GATE drive) and bypass FET (G drive) within t_{SC} time. The device goes in auto-retry or latch-off based on the selected configuration and $\overline{\text{FLT}}$ asserts low.

8.4.6 Active Mode (AM)

The device transitions from shutdown mode to active mode directly when EN/UVLO and $\overline{\text{LPM}}$ are driven high together at same time.

TPS1214-Q1 transitions from low power mode into active mode by:

- **External Trigger:** Drive $\overline{\text{LPM}}$ high externally.
- **Internal Trigger:** After load current exceeds load wakeup threshold (I_{LWU}), TPS1214-Q1 automatically turns ON main FET (GATE drive) and turns OFF the bypass FET (G drive). Drive $\overline{\text{LPM}}$ high after load wakeup event to switch to active mode.

In this mode, charge pump, gate drivers and all protections are enabled. The main FET (GATE drive) can be tuned ON or OFF by driving INP high or low respectively and bypass FET (G drive) is turned OFF and WAKE pin asserts low in this state.

The device exits active mode and enters low power mode when $\overline{\text{LPM}}$ is pulled low.

Protections available in active state are:

- **Input UVLO:** Main FET (GATE drive) is turned OFF when voltage on EN/UVLO falls below $V_{(\text{UVLOF})}$.
- **Charge pump UVLO:** Main FET (GATE drive) is turned OFF when voltage between BST to SRC falls below $V_{(\text{BST_UVLOF})}$ and $\overline{\text{FLT}}$ asserts low.
- **Main path I^2t protection:** Main FET (GATE drive) is turned OFF when voltage across CS1+ and CS1– remains above I^2t start threshold ($V_{(\text{OCP})}$) for time set by the I^2t factor based on C_{I2t} . The device goes in auto-retry or latch-off based on the selected configuration and $\overline{\text{FLT}}$ asserts low.

- **Main path Short-circuit protection:** Main FET (GATE drive) is turned OFF when voltage across CS1+ and CS1– exceeds the set short-circuit threshold ($V_{(SCP)}$). The device goes in auto-retry or latch-off based on the selected configuration and \overline{FLT} asserts low.

9 Application and Implementation

Note

Information in the following applications sections is not part of the TI component specification, and TI does not warrant its accuracy or completeness. TI's customers are responsible for determining suitability of components for their purposes, as well as validating and testing their design implementation to confirm system functionality.

9.1 Application Information

9.2 Typical Application 1: Driving Power at all times (PAAT) Loads With Automatic Load Wakeup

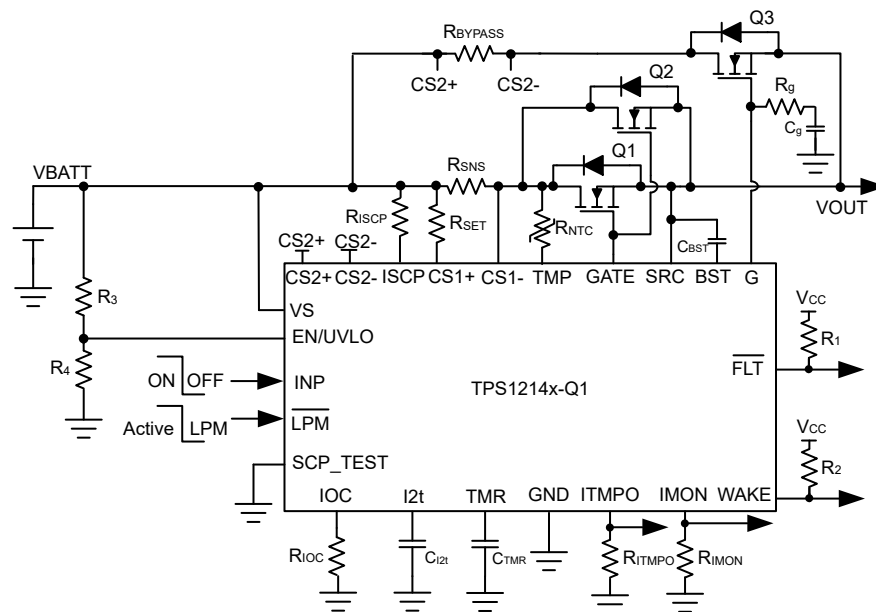


Figure 9-1. TPS1214-Q1 Application circuit for driving power at all times (PAAT) loads with automatic load wakeup

9.2.1 Design Requirements

Table 9-1. Design Parameters

PARAMETER	VALUE
Typical input voltage, V_{BATT_MIN} to V_{BATT_MAX}	8V to 16V
Undervoltage lockout set point, V_{INUVLO}	6.5V
Maximum load current, I_{OUT}	35A
I^2t Start threshold, I_{OC}	40A
I^2t Protection threshold	3000A ² s
Maximum overcurrent threshold, I_{OC_MAX}	120A
Short-circuit protection threshold, I_{SC}	130A
Fault response	Auto-retry
Auto-retry time	1000ms
Load wakeup threshold, I_{LWU}	200mA

9.2.2 Detailed Design Procedure

Selection of Current Sense Resistor, R_{SNS}

The recommended range of the I^2t based overcurrent protection threshold voltage, $V_{(SNS_OCP)}$, extends from 6mV to 200mV. Values near the low threshold of 6mV can be affected by the system noise. Values near the upper threshold of 200mV can cause high power dissipation in the current sense resistor. To minimize both the concerns, 20mV is selected as the I^2t protection start threshold voltage. The current sense resistor, R_{SNS} can be calculated using following equation:

$$R_{SNS} = \frac{V_{(SNS_OCP)}}{I_{OC}} \quad (19)$$

For 40A (I_{OC}) of I^2t protection start threshold, R_{SNS} is calculated to be 0.5m Ω ,

Two of 1m Ω , 1% sense resistor can be used in parallel.

Selection of IMON Scaling Resistor, R_{SET}

R_{SET} is the resistor connected between VS or input supply and CS1+ pins. This resistor scales the I^2t based overcurrent protection threshold voltage and coordinates with R_{IOC} , charging current on C_{I2t} and R_{IMON} to determine the I^2t profile and current monitoring output.

The maximum current on I^2t pin can be calculated based on short-circuit protection (I_{SC}) threshold based on following equation:

$$I_{I2t_MAX} (\mu A) = K \times I_{SC}^2 \quad (20)$$

where scaling factor, K can be calculate based on below equation:

$$\text{Scaling factor } \left(K \right) = \frac{\left(0.1 \times \frac{R_{SNS}}{R_{SET}} \right)^2}{I_{BIAS}} \quad (21)$$

R_{SET} needs to adjusted so that I_{I2t_MAX} is always less than 100 μ A. The recommended range of R_{SET} is 100 Ω –500 Ω .

R_{SET} is selected as 300 Ω , 1% for this design example to get I_{I2t_MAX} current < 100 μ A.

Choosing the Current Monitoring Resistor, R_{IMON}

Voltage at IMON pin $V_{(IMON)}$ is proportional to the output load current. This can be connected to an ADC of the downstream system for monitoring the operating condition and health of the system. The R_{IMON} must be selected based on the maximum load current and the input voltage range of the ADC used. R_{IMON} is set using following equation:

$$V_{(IMON)} = \left(V_{SNS} + V_{(VOS_SET)} \right) \times \frac{0.9 \times R_{IMON}}{R_{SET}} \quad (22)$$

Where $V_{SNS} = I_{OC_MAX} \times R_{SNS}$ and $V_{(VOS_SET)}$ is the input referred offset ($\pm 150\mu$ V) of the current sense amplifier. For $I_{OC_MAX} = 120$ A and considering the operating range of ADC to be 0V to 3.3V (for example, $V_{(IMON)} = 3.3$ V), R_{IMON} is calculated to be 18.33k Ω .

Selecting R_{IMON} value less than shown in [Equation 22](#) ensures that ADC limits are not exceeded for maximum value of load current. Choose the closest available standard value: 18.2k Ω , 1%

Selection of Main path MOSFETs, Q1 and Q2

Q1 and Q2 For selecting the MOSFET Q1 and Q2, important electrical parameters are the maximum continuous drain current I_D , the maximum drain-to-source voltage $V_{DS(MAX)}$, the maximum drain-to-source voltage $V_{GS(MAX)}$,

and the drain-to-source ON resistance $R_{DS(ON)}$. The maximum continuous drain current, I_D , rating must exceed the maximum continuous load current. The maximum drain-to-source voltage, $V_{DS(MAX)}$, must be high enough to withstand the highest voltage seen in the application. Considering 35V as the maximum application voltage due to load dump, MOSFETs with VDS voltage rating of 40V is chosen for this application.

The maximum VGS TPS1214-Q1 can drive is 12V, so a MOSFET with 15V minimum VGS rating must be selected.

To reduce the MOSFET conduction losses, an appropriate $R_{DS(ON)}$ is preferred. Based on the design requirements, two of BUK7J1R4-40H are selected and its ratings are:

- 40V $V_{DS(MAX)}$ and $\pm 20V$ $V_{GS(MAX)}$
- $R_{DS(ON)}$ is 1.06m Ω typical at 10V VGS
- MOSFET $Q_g(\text{total})$ is 73nC typical

TI recommends to make sure that the short-circuit conditions such V_{BATT_MAX} and I_{SC} are within SOA of selected FETs (Q1 and Q2) for $> t_{SC}$ (5 μ s max) timing.

Selection of Bootstrap Capacitor, C_{BST}

The internal charge pump charges the external bootstrap capacitor (connected between BST and SRC pins) with approximately 600 μ A. Use the following equation to calculate the minimum required value of the bootstrap capacitor for driving two parallel BUK7J1R4-40H MOSFETs.

$$C_{BST} = \frac{Q_g(\text{total})}{1V} \quad (23)$$

Choose closest available standard value: 150nF, 10 %.

Programming the I^2T Profile, R_{IOC} and C_{I2t} Selection

The R_{IOC} sets the I^2T protection start threshold, whose value can be calculated using following equation:

$$R_{IOC} (\Omega) = \frac{V_{(REF_OC)}}{K \times (I_{OC})^2} \quad (24)$$

where scaling factor, K can be calculate based on below equation:

$$\text{Scaling factor } \left(K \right) = \frac{\left(0.1 \times \frac{R_{SNS}}{R_{SET}} \right)^2}{I_{BIAS}} \quad (25)$$

To set 40A as I^2T protection start threshold, R_{IOC} value is calculated to be 23k Ω .

Choose the closest available standard value: 23k Ω , 1%.

The time to turn OFF the gate drive at maximum overcurrent limit (I_{OC_MAX}) can be determined using below equation:

$$t_{OC_MIN} (s) = \frac{I^2T \text{ factor}}{I_{OC_MAX} \times I_{OC_MAX}} \quad (26)$$

To set 3000A²s as I^2T factor, t_{OC_MIN} value is calculated to be 208ms.

Use Equation 27 to calculate the required C_{I2t} value:

$$C_{I2t} (F) = \frac{K \times t_{OC_MIN}}{V_{(I2t_OC)} - V_{(I2t_OFFSET)}} \times [I_{OC_MAX}^2 - I_{OC}^2] \quad (27)$$

To set $3000A^2s$ as I²T factor with 40A as I²T start threshold and 120A as maximum overcurrent, C_{I2t} is calculated to be ~880nF.

Choose the closest available standard value: 1μF, 10%.

Programming the Short-Circuit Protection Threshold, R_{ISCP} Selection

The R_{ISCP} sets the short-circuit protection threshold, whose value can be calculated using following equation:

$$R_{ISCP} \text{ (k}\Omega\text{)} = \frac{I_{SC} \times R_{SNS} - 1.8}{I_{ISCP}} \quad (28)$$

To set 130A as short-circuit protection threshold, R_{ISCP} value is calculated to be 2.53kΩ for two FETs in parallel. Choose the closest available standard value: 2.55kΩ, 1%.

Programming the Fault Timer Period, C_{TMR} Selection

For the design example under discussion, the auto-retry time, t_{RETRY} can be set by selecting appropriate capacitor C_{TMR} from TMR pin to ground. The value of C_{TMR} to set 1ms for t_{RETRY} can be calculated using following equation:

$$t_{RETRY} \text{ (s)} = 64 \times C_{TMR} \times \left[\frac{V_{(TMR_HIGH)} - V_{(TMR_LOW)}}{I_{(TMR_SRC)}} \right] \quad (29)$$

To set 1000ms as auto-retry time, C_{TMR} value is calculated to be 39.06nF.

Choose closest available standard value: 47nF, 10%.

Programming the Load Wakeup Threshold, R_{BYPASS} and Q3 Selection

During normal operation, the resistor R_{BYPASS} along with bypass FET R_{DSON} is used to set load wakeup current threshold. For selecting the MOSFET Q3, important electrical parameters are the maximum continuous drain current I_D, the maximum drain-to-source voltage V_{DS(MAX)}, the maximum drain-to-source voltage V_{GS(MAX)}, and the drain-to-source ON resistance R_{DS(ON)}.

Based on the design requirements, BUK6D23-40E is selected and its ratings are:

- 40V V_{DS(MAX)} and ±20V V_{GS(MAX)}
- R_{DS(ON)} is 17mΩ typical at 10V V_{GS}
- MOSFET Q_{g(total)} is 11nC typical
- MOSFET V_{GS(th)} is 1.3V min
- MOSFET C_{ISS} is 582pF typical

Setting the Undervoltage Lockout Set Point, R3 and R4

The undervoltage lockout (UVLO) can be adjusted using an external voltage divider network of R3 and R4 connected between VS, EN/UVLO and GND pins of the device. The values required for setting the undervoltage and overvoltage are calculated by solving below equation:

$$V_{(UVLOR)} = V_{INUVLO} \times \frac{R4}{R3 + R4} \quad (30)$$

For minimizing the input current drawn from the power supply, TI recommends to use higher values of resistance for R3 and R4. However, leakage currents due to external active components connected to the resistor string can add error to these calculations. So, the resistor string current, I_(R34) must be chosen to be 20 times greater than the leakage current of UVLO pin.

From the device electrical specifications, V_(UVLOR) = 1.2V. From the design requirements, V_{INUVLO} is 6.5V. To solve the equation, first choose the value of R3 = 470kΩ and use Equation 30 to solve for R4 = 107.5kΩ.

Choose the closest standard 1% resistor values: R3 = 470kΩ, and R4 = 107kΩ.

9.2.3 Application Curves

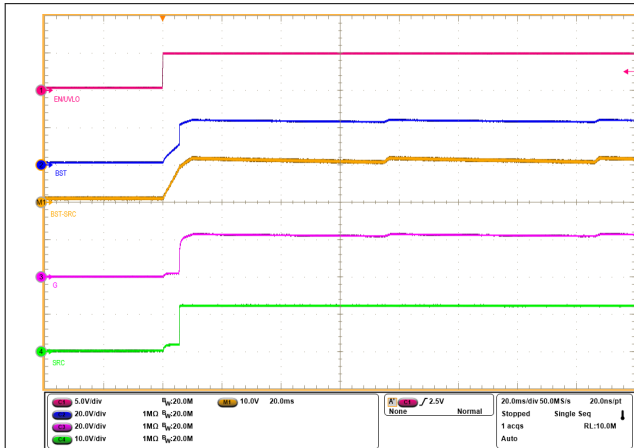


Figure 9-2. Start-Up Profile of Low Power Path ($\overline{\text{LPM}} = \text{Low}$, $V_{\text{IN}} = 12\text{V}$, No Load, $C_{\text{BST}} = 470\text{nF}$)

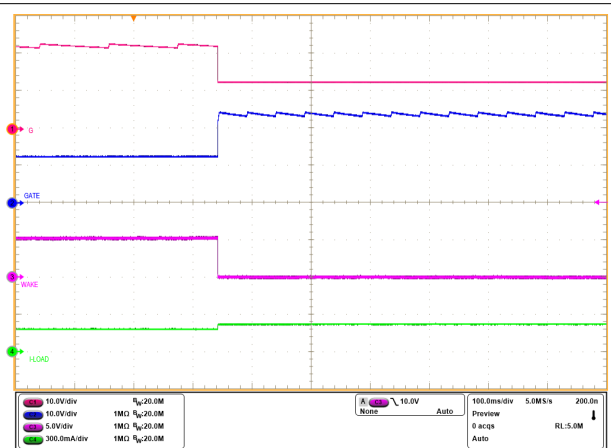


Figure 9-3. State Transition From LPM to Active Mode ($\overline{\text{LPM}} = \text{Low}$, $V_{\text{IN}} = 12\text{V}$, $\text{EN/UVLO} = \text{High}$)

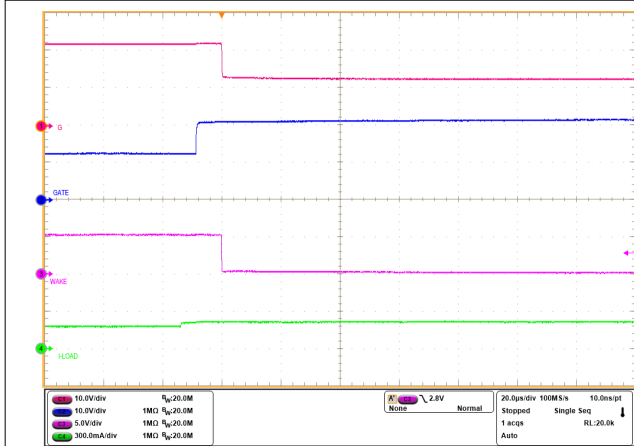


Figure 9-4. Zoom-In View of State Transition From LPM to Active Mode ($\overline{\text{LPM}} = \text{Low}$, $V_{\text{IN}} = 12\text{V}$, $\text{EN/UVLO} = \text{High}$)

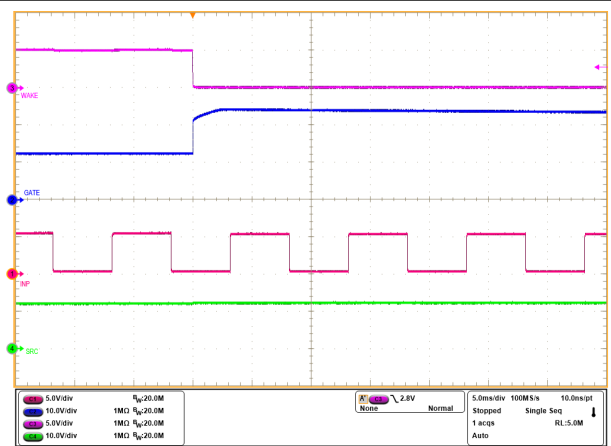


Figure 9-5. When $\overline{\text{LPM}} = \text{Low}$ in LOAD WAKEUP state, INP Has No Control on GATE

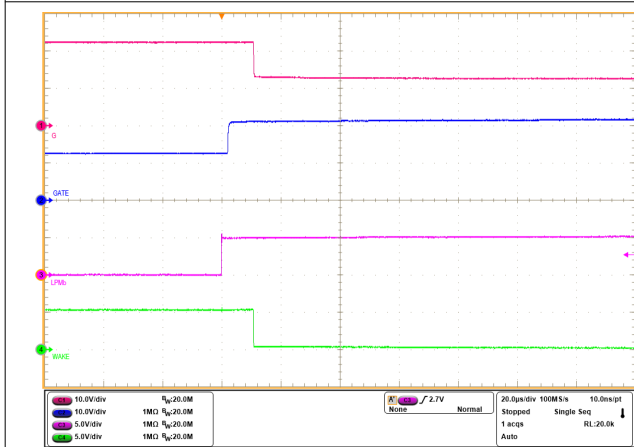


Figure 9-6. State Transition From LPM to Active Mode ($\overline{\text{LPM}} = \text{Low to High}$, $V_{\text{IN}} = 12\text{V}$, No Load)

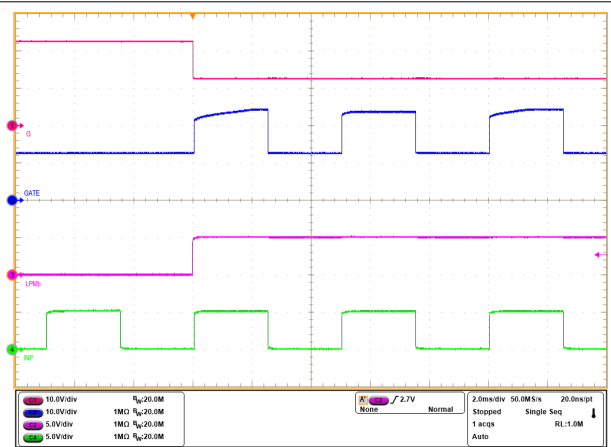


Figure 9-7. With $\overline{\text{LPM}} = \text{Low to High}$, INP Gained Control on GATE ($V_{\text{IN}} = 12\text{V}$, No Load)

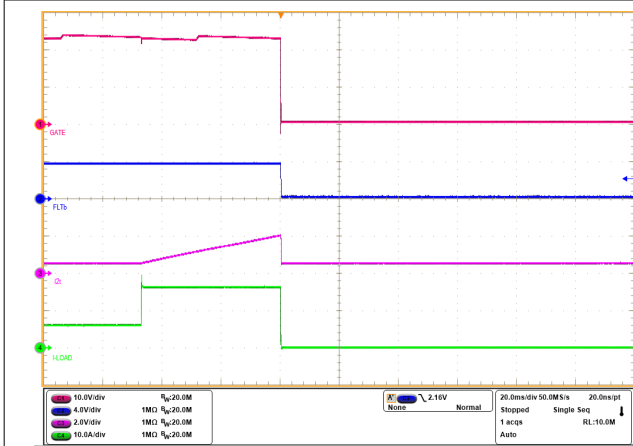


Figure 9-8. I²T based Overcurrent Response of TPS1214-Q1 EVM for 6A to 16A Load Step

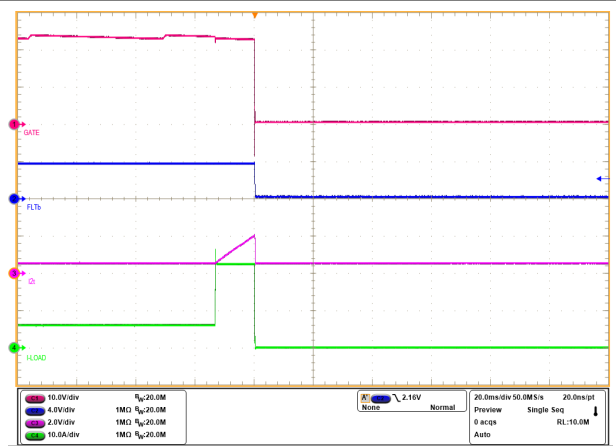


Figure 9-9. I²T based Overcurrent Response of TPS1214-Q1 EVM for 6A to 23A Load Step

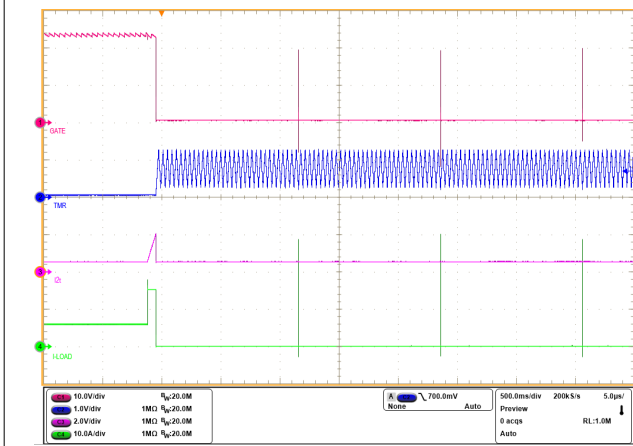


Figure 9-10. Auto-Retry Response of TPS1214-Q1 for an I²T-Based Overcurrent Fault

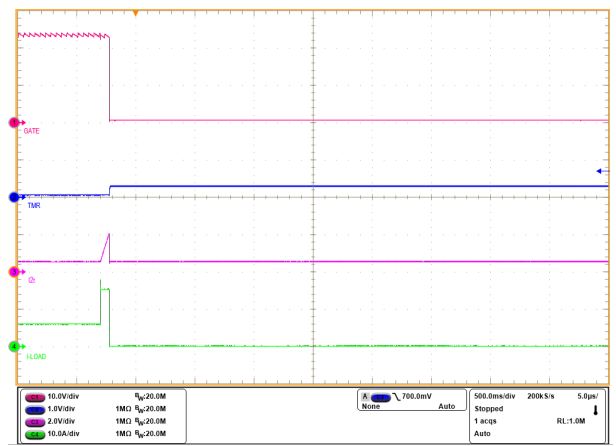


Figure 9-11. Latch-Off Response of TPS1214-Q1 for an I²T-Based Overcurrent Fault

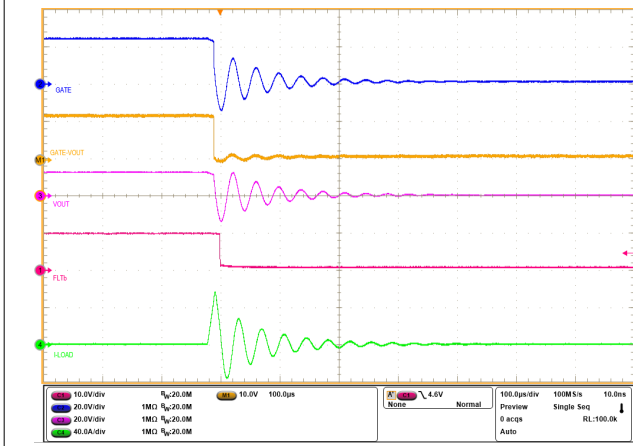


Figure 9-12. Output Short-Circuit Response of TPS1214-Q1

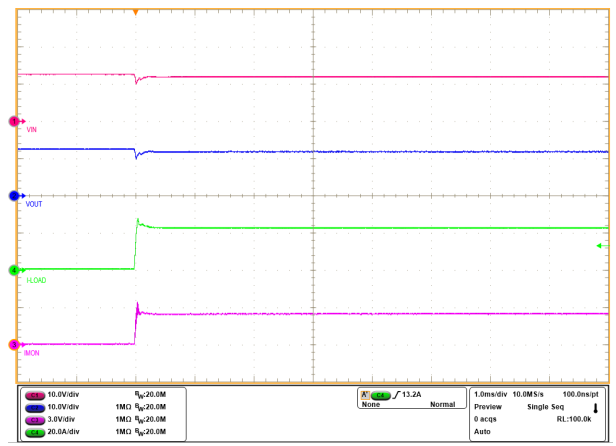


Figure 9-13. TPS1214-Q1 Current Monitoring Output (IMON) Transient Response

TPS1214-Q1

SLUSFA1A – SEPTEMBER 2024 – REVISED DECEMBER 2024

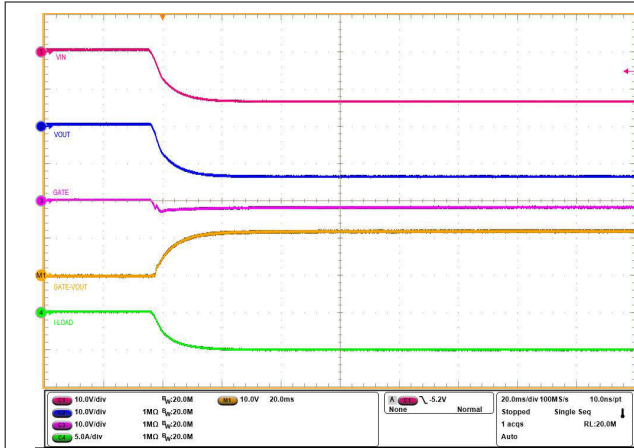


Figure 9-14. GATE Turn-ON During Input Reverse Battery Fault for TPS12141-Q1 and TPS12143-Q1

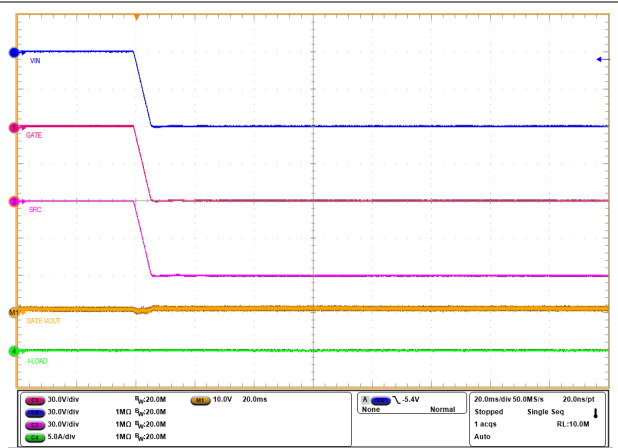


Figure 9-15. GATE Turn-OFF During Input Reverse Battery Fault for TPS12140-Q1 and TPS12142-Q1

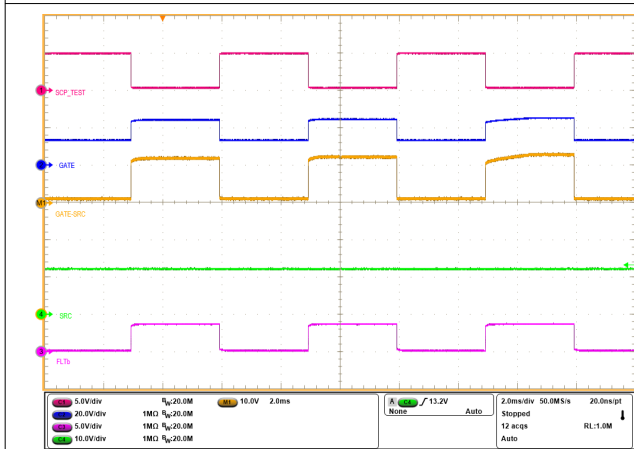


Figure 9-16. SCP_TEST Diagnosis in Active Mode (LPM = High)

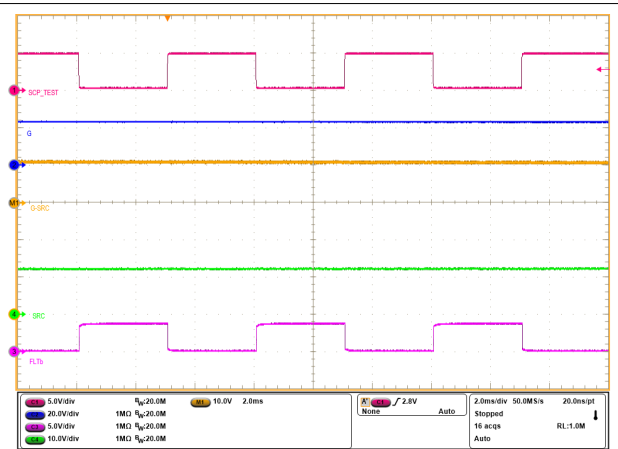


Figure 9-17. SCP_TEST Diagnosis in Low Power Mode (LPM = Low)

9.3 Typical Application 2: Driving Power at all times (PAAT) Loads With Automatic Load Wakeup and Output Bulk Capacitor Charging

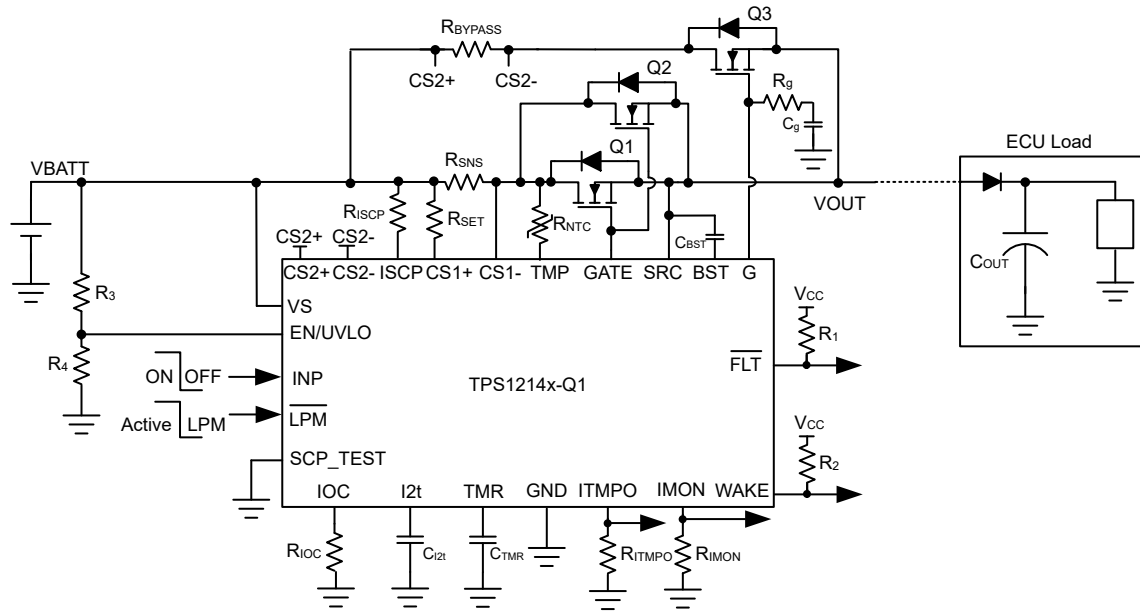


Figure 9-18. TPS1214-Q1 Application circuit for driving power at all times (PAAT) loads with automatic load wakeup and output bulk capacitor charging

9.3.1 Design Requirements

Table 9-2. Design Parameters

PARAMETER	VALUE
Typical input voltage, V_{BATT_MIN} to V_{BATT_MAX}	8V to 16V
Undervoltage lockout set point, V_{INUVLO}	6.5V
Maximum load current, I_{OUT}	35A
I^2T Start threshold, I_{OC}	40A
I^2T Protection threshold	3000A ² s
Maximum overcurrent threshold, I_{OC_MAX}	120A
Short-circuit protection threshold, I_{SC}	130A
Fault response	Auto-retry
Auto-retry time	1000ms
Load wakeup threshold, I_{LWU}	200mA
Output bulk capacitor, C_{OUT}	1mF
C_{OUT} charging time, T_{charge}	10ms

9.3.2 External Component Selection

By following similar design procedure as outlined in Section 8.2.2, the external component values are calculated as below:

- $R_{SNS} = 0.5m\Omega$
- $R_{SET} = 300\Omega$
- $R_{IMON} = 18.2k\Omega$
- $R_{IOC} = 23k\Omega$ to set 40A as I^2t protection start threshold
- $C_{I2t} = 1\mu F$ to set 3000A²s as I^2T factor
- $C_{BST} = 150nF$
- $R_{ISCP} = 2.55k\Omega$ to set 130A as short-circuit protection threshold
- $C_{TMR} = 47nF$ to set 1000ms auto-retry time

- R3 and R4 are selected as 470kΩ and 107kΩ respectively to set VIN undervoltage lockout threshold at 6.5V

Programming the Load Wakeup Threshold, R_{BYPASS} and Q₃ Selection

During normal operation, the series resistor R_{BYPASS} is used to set load wakeup current threshold. After V_{G_GOOD} threshold is reached, the voltage between CS2+ and CS2– is compared against V_(LWU) threshold (200mV typ) for load wakeup event. For selecting the MOSFET Q3, important electrical parameters are the maximum continuous drain current I_D, the maximum drain-to-source voltage V_{DS(MAX)}, the maximum drain-to-source voltage V_{GS(MAX)}, and the drain-to-source ON resistance R_{DS(ON)}.

Based on the design requirements, BUK7J1R4-40H is selected and its ratings are:

40V V_{DS(MAX)} and ±20V V_{GS(MAX)}

R_{DS(ON)} is 1.06mΩ typical at 10V V_{GS}

R_{BYPASS} resistor value can be selected using below equation:

$$R_{BYPASS} = \frac{V_{(LWU)}}{I_{LWU}} \quad (31)$$

To set 200mA load wakeup current, R_{BYPASS} resistor is calculated to be 1Ω.

The average power rating of the bypass resistor can be calculated by following equation:

$$P_{AVG} = I_{LWU}^2 \times R_{BYPASS} \quad (32)$$

The average power dissipation of R_{BYPASS} is calculated to be 0.04W.

The peak power dissipation in the bypass resistor is given by following equation:

$$P_{PEAK} = \frac{V_{BATT_MAX}^2}{R_{BYPASS}} \quad (33)$$

The peak power dissipation of R_{BYPASS} is calculated to be ~256W. The peak power dissipation time for power-up with short into LPM can be derived from t_(LPM_SC) parameter (5μs) in electrical characteristics table.

Based on P_{PEAK} and t_(LPM_SC), 1Ω, 1%, 3/4W CRCW12101R00FKEAHP resistor is used to support both average and peak power dissipation for > t_(LPM_SC) time. TI suggests the designer to share the entire power dissipation profile of bypass resistor with the resistor manufacturer and get their recommendation.

The peak short-circuit current in bypass path can be calculated based on following equation:

$$I_{PEAK_BYPASS} = \frac{V_{BATT_MAX}}{R_{BYPASS}} \quad (34)$$

I_{PEAK_BYPASS} is calculated to be 16A based on R_{BYPASS} selected in [Equation 31](#). TI suggest the designer to ensure that operating point (V_{BATT_MAX}, I_{PEAK_BYPASS}) for bypass path (Q3) is within the SOA curve for > t_(LPM_SC) time.

Programming the Inrush Current, R_g and C_g Selection

Use following equation to calculate the I_{INRUSH}:

$$I_{INRUSH} = C_{LOAD} \times \frac{V_{BATT_MAX}}{T_{charge}} \quad (35)$$

I_{INRUSH} calculated in [Equation 35](#) should be always less than wakeup in short in low power mode (I_{LPM_SC}) current which can be calculated using following equation:

$$I_{LPM_SC} = \frac{2V}{R_{BYPASS}} \quad (36)$$

For 1Ω R_{BYPASS} , I_{LPM_SC} is calculated to be 2A which is less than I_{INRUSH} .

Use following equation to calculate the required C_g based on I_{INRUSH} calculated in Equation 35.

$$C_g = \frac{C_{LOAD} \times I_{(G)}}{I_{INRUSH}} \quad (37)$$

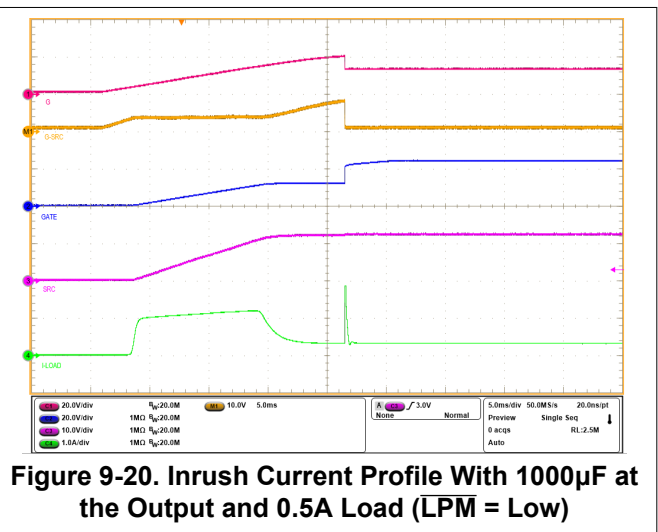
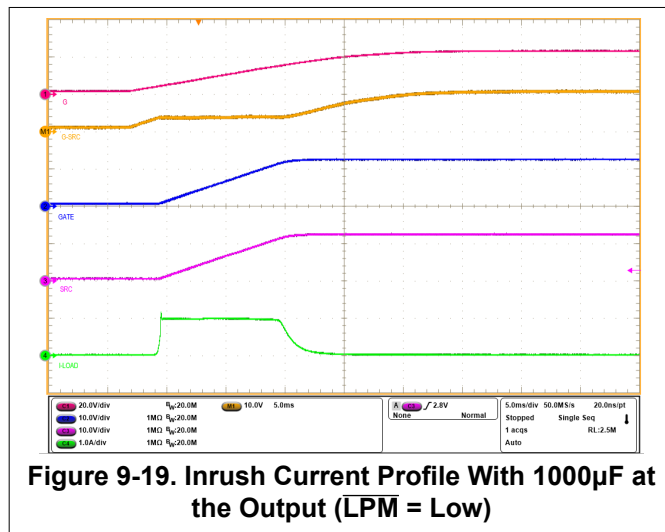
Where, $I_{(G)}$ is $100\mu A$ (typical)

To set I_{INRUSH} at 1.6A, C_g value is calculated to be $\sim 50nF$.

A series resistor R_g must be used in conjunction with C_g to limit the discharge current from C_g during turn-off .

The chosen value of R_g is 100Ω and C_g is $68nF$.

9.3.3 Application Curves



9.4 Power Supply Recommendations

When the external MOSFETs turn-OFF during the conditions such as INP control, overcurrent or short-circuit protection causing an interruption of the current flow, the input parasitic line inductance generates a positive voltage spike on the input and output parasitic inductance generates a negative voltage spike on the output. The peak amplitude of voltage spikes (transients) depends on the value of inductance in series to the input or output of the device. These transients can exceed the Absolute Maximum Ratings of the device if steps are not taken to address the issue. Typical methods for addressing transients include:

- Use of a TVS diode and input capacitor filter combination across input to and GND to absorb the energy and dampen the positive transients.
- Use of a diode or a TVS diode across the output and GND to absorb negative spikes.

The TPS1214-Q1 gets powered from the VS pin. Voltage at this pin must be maintained above $V_{(VS_PORR)}$ level to ensure proper operation. If the input power supply source is noisy with transients, then TI recommends to place a $R_{VS} - C_{VS}$ filter between the input supply line and VS pin to filter out the supply noise. TI recommends an R_{VS} value around 100Ω and C_{VS} value around $0.1\mu F$.

TPS1214-Q1 uses CS2+ pin for sensing input reverse polarity fault event. If the input power supply source is noisy with transients, then TI recommends to place a $R_{CS2} - C_{CS2}$ filter between the input supply line and CS2+ pin to filter out the supply noise. TI recommends an R_{CS2} value around 100Ω and C_{CS2} value around $0.1\mu F$.

In a case where large di/dt is involved, the system and layout parasitic inductances can generate large differential signal voltages between CS1+ and CS1- pins. This action can trigger false short-circuit protection

and nuisance trips in the system. To overcome such scenario, TI suggests to add a placeholder for RC filter components across the sense resistor (R_{SNS}) and tweak the values during test in the real system.

Figure 9-21 shows the circuit implementation with optional protection components.

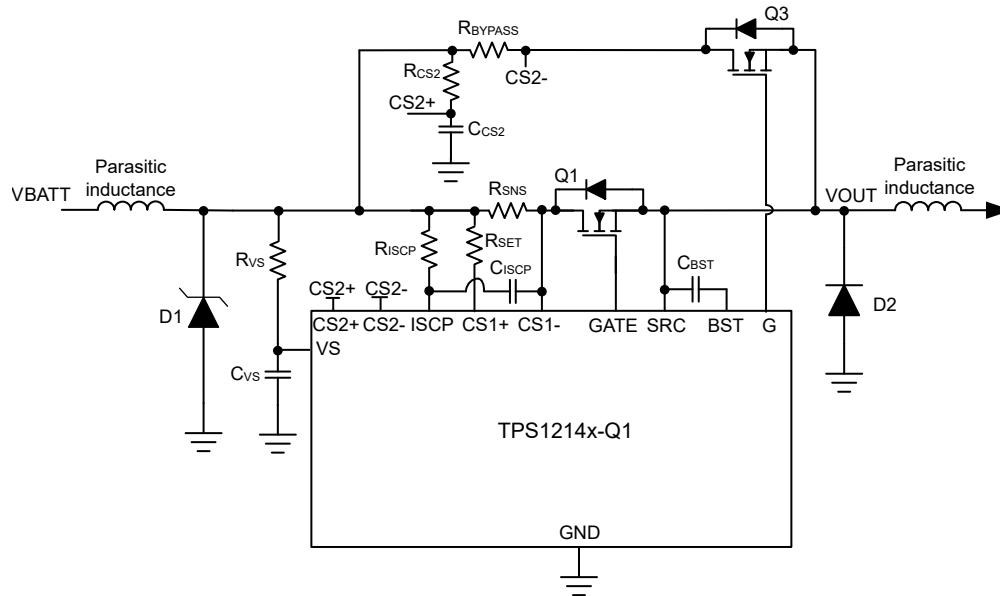


Figure 9-21. Circuit Implementation With Optional Protection Components For TPS1214-Q1

9.5 Layout

9.5.1 Layout Guidelines

- The sense resistor (R_{SNS}) must be placed close to the TPS1214-Q1 and then connect R_{SNS} using the Kelvin techniques. Refer to [Choosing the Right Sense Resistor Layout](#) for more information on the Kelvin techniques.
- For all the applications, TI recommends a 0.1 μF or higher value ceramic decoupling capacitor between VS terminal and GND. Consider adding RC network at the supply pin (VS) of the controller to improve decoupling against the power line disturbances.
- The high current path from the board's input to the load, and the return path, must be parallel and close to each other to minimize loop inductance.
- The external MOSFETs must be placed close to the controller such that the GATE of the MOSFETs are close to GATE pin to form short GATE loop. Consider adding a place holder for a resistor in series with the Gate of each external MOSFET to damp high frequency oscillations if need arises.
- Place a TVS diode at the input to clamp the voltage transients during hot-plug and fast turn-off events.
- The external boot-strap capacitor must be placed close to BST and SRC pins to form very short loop.
- The ground connections for the various components around the TPS1214-Q1 must be connected directly to each other, and to the TPS1214-Q1's GND, and then connected to the system ground at one point. Do not connect the various component grounds to each other through the high current ground line.

9.5.2 Layout Example

- Top Layer
- Inner Layer GND plane
- Inner Layer PGND plane
- Via to GND plane
- Via to PGND plane

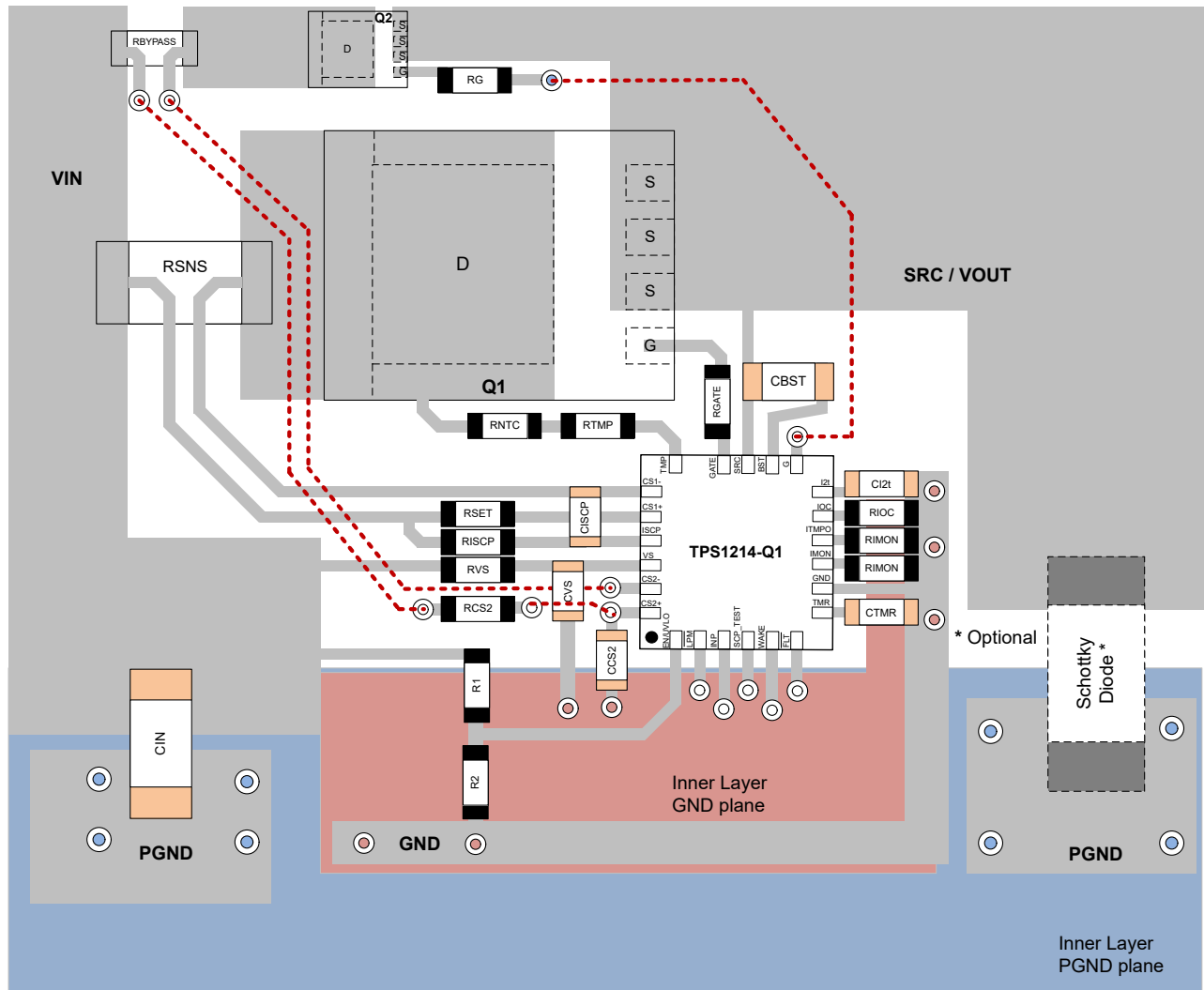


Figure 9-22. Typical PCB Layout Example of TPS1214-Q1

10 Device and Documentation Support

TI offers an extensive line of development tools. Tools and software to evaluate the performance of the device, generate code, and develop solutions are listed below.

10.1 Receiving Notification of Documentation Updates

To receive notification of documentation updates, navigate to the device product folder on ti.com. Click on *Notifications* to register and receive a weekly digest of any product information that has changed. For change details, review the revision history included in any revised document.

10.2 Support Resources

TI E2E™ [support forums](#) are an engineer's go-to source for fast, verified answers and design help — straight from the experts. Search existing answers or ask your own question to get the quick design help you need.

Linked content is provided "AS IS" by the respective contributors. They do not constitute TI specifications and do not necessarily reflect TI's views; see TI's [Terms of Use](#).

10.3 Trademarks

TI E2E™ is a trademark of Texas Instruments.

All trademarks are the property of their respective owners.

10.4 Electrostatic Discharge Caution



This integrated circuit can be damaged by ESD. Texas Instruments recommends that all integrated circuits be handled with appropriate precautions. Failure to observe proper handling and installation procedures can cause damage.

ESD damage can range from subtle performance degradation to complete device failure. Precision integrated circuits may be more susceptible to damage because very small parametric changes could cause the device not to meet its published specifications.

10.5 Glossary

[TI Glossary](#) This glossary lists and explains terms, acronyms, and definitions.

11 Revision History

NOTE: Page numbers for previous revisions may differ from page numbers in the current version.

Changes from Revision * (September 2024) to Revision A (December 2024)	Page
• Document status changed From: <i>Advance Information</i> To: <i>Production Data</i>	1

12 Mechanical, Packaging, and Orderable Information

The following pages include mechanical, packaging, and orderable information. This information is the most current data available for the designated devices. This data is subject to change without notice and revision of this document. For browser-based versions of this data sheet, refer to the left-hand navigation.

PACKAGING INFORMATION

Orderable Device	Status (1)	Package Type	Package Drawing	Pins	Package Qty	Eco Plan (2)	Lead finish/ Ball material (6)	MSL Peak Temp (3)	Op Temp (°C)	Device Marking (4/5)	Samples
PTPS12140QRGERQ1	ACTIVE	VQFN	RGE	23	3000	TBD	Call TI	Call TI	-40 to 125		Samples
PTPS12141QRGERQ1	ACTIVE	VQFN	RGE	23	3000	TBD	Call TI	Call TI	-40 to 125		Samples
TPS12140QRGERQ1	ACTIVE	VQFN	RGE	23	3000	RoHS & Green	NIPDAU	Level-2-260C-1 YEAR	-40 to 125	TPS 12140Q	Samples
TPS12141QRGERQ1	ACTIVE	VQFN	RGE	23	3000	RoHS & Green	NIPDAU	Level-2-260C-1 YEAR	-40 to 125	TPS 12141Q	Samples
TPS12142QRGERQ1	ACTIVE	VQFN	RGE	23	3000	RoHS & Green	NIPDAU	Level-2-260C-1 YEAR	-40 to 125	TPS 12142Q	Samples
TPS12143QRGERQ1	ACTIVE	VQFN	RGE	23	3000	RoHS & Green	NIPDAU	Level-2-260C-1 YEAR	-40 to 125	TPS 12143Q	Samples

(1) The marketing status values are defined as follows:

ACTIVE: Product device recommended for new designs.

LIFEBUY: TI has announced that the device will be discontinued, and a lifetime-buy period is in effect.

NRND: Not recommended for new designs. Device is in production to support existing customers, but TI does not recommend using this part in a new design.

PREVIEW: Device has been announced but is not in production. Samples may or may not be available.

OBSELETE: TI has discontinued the production of the device.

(2) **RoHS:** TI defines "RoHS" to mean semiconductor products that are compliant with the current EU RoHS requirements for all 10 RoHS substances, including the requirement that RoHS substance do not exceed 0.1% by weight in homogeneous materials. Where designed to be soldered at high temperatures, "RoHS" products are suitable for use in specified lead-free processes. TI may reference these types of products as "Pb-Free".

RoHS Exempt: TI defines "RoHS Exempt" to mean products that contain lead but are compliant with EU RoHS pursuant to a specific EU RoHS exemption.

Green: TI defines "Green" to mean the content of Chlorine (Cl) and Bromine (Br) based flame retardants meet JS709B low halogen requirements of <=1000ppm threshold. Antimony trioxide based flame retardants must also meet the <=1000ppm threshold requirement.

(3) MSL, Peak Temp. - The Moisture Sensitivity Level rating according to the JEDEC industry standard classifications, and peak solder temperature.

(4) There may be additional marking, which relates to the logo, the lot trace code information, or the environmental category on the device.

(5) Multiple Device Markings will be inside parentheses. Only one Device Marking contained in parentheses and separated by a "~" will appear on a device. If a line is indented then it is a continuation of the previous line and the two combined represent the entire Device Marking for that device.

⁽⁶⁾ Lead finish/Ball material - Orderable Devices may have multiple material finish options. Finish options are separated by a vertical ruled line. Lead finish/Ball material values may wrap to two lines if the finish value exceeds the maximum column width.

Important Information and Disclaimer:The information provided on this page represents TI's knowledge and belief as of the date that it is provided. TI bases its knowledge and belief on information provided by third parties, and makes no representation or warranty as to the accuracy of such information. Efforts are underway to better integrate information from third parties. TI has taken and continues to take reasonable steps to provide representative and accurate information but may not have conducted destructive testing or chemical analysis on incoming materials and chemicals. TI and TI suppliers consider certain information to be proprietary, and thus CAS numbers and other limited information may not be available for release.

In no event shall TI's liability arising out of such information exceed the total purchase price of the TI part(s) at issue in this document sold by TI to Customer on an annual basis.

TAPE AND REEL INFORMATION

QUADRANT ASSIGNMENTS FOR PIN 1 ORIENTATION IN TAPE


*All dimensions are nominal

Device	Package Type	Package Drawing	Pins	SPQ	Reel Diameter (mm)	Reel Width W1 (mm)	A0 (mm)	B0 (mm)	K0 (mm)	P1 (mm)	W (mm)	Pin1 Quadrant
TPS12140QRGERQ1	VQFN	RGE	23	3000	330.0	12.4	4.25	4.25	1.15	8.0	12.0	Q2
TPS12141QRGERQ1	VQFN	RGE	23	3000	330.0	12.4	4.25	4.25	1.15	8.0	12.0	Q2
TPS12142QRGERQ1	VQFN	RGE	23	3000	330.0	12.4	4.25	4.25	1.15	8.0	12.0	Q2
TPS12143QRGERQ1	VQFN	RGE	23	3000	330.0	12.4	4.25	4.25	1.15	8.0	12.0	Q2

TAPE AND REEL BOX DIMENSIONS


*All dimensions are nominal

Device	Package Type	Package Drawing	Pins	SPQ	Length (mm)	Width (mm)	Height (mm)
TPS12140QRGERQ1	VQFN	RGE	23	3000	367.0	367.0	35.0
TPS12141QRGERQ1	VQFN	RGE	23	3000	367.0	367.0	35.0
TPS12142QRGERQ1	VQFN	RGE	23	3000	367.0	367.0	35.0
TPS12143QRGERQ1	VQFN	RGE	23	3000	367.0	367.0	35.0

IMPORTANT NOTICE AND DISCLAIMER

TI PROVIDES TECHNICAL AND RELIABILITY DATA (INCLUDING DATA SHEETS), DESIGN RESOURCES (INCLUDING REFERENCE DESIGNS), APPLICATION OR OTHER DESIGN ADVICE, WEB TOOLS, SAFETY INFORMATION, AND OTHER RESOURCES "AS IS" AND WITH ALL FAULTS, AND DISCLAIMS ALL WARRANTIES, EXPRESS AND IMPLIED, INCLUDING WITHOUT LIMITATION ANY IMPLIED WARRANTIES OF MERCHANTABILITY, FITNESS FOR A PARTICULAR PURPOSE OR NON-INFRINGEMENT OF THIRD PARTY INTELLECTUAL PROPERTY RIGHTS.

These resources are intended for skilled developers designing with TI products. You are solely responsible for (1) selecting the appropriate TI products for your application, (2) designing, validating and testing your application, and (3) ensuring your application meets applicable standards, and any other safety, security, regulatory or other requirements.

These resources are subject to change without notice. TI grants you permission to use these resources only for development of an application that uses the TI products described in the resource. Other reproduction and display of these resources is prohibited. No license is granted to any other TI intellectual property right or to any third party intellectual property right. TI disclaims responsibility for, and you will fully indemnify TI and its representatives against, any claims, damages, costs, losses, and liabilities arising out of your use of these resources.

TI's products are provided subject to [TI's Terms of Sale](#) or other applicable terms available either on [ti.com](https://www.ti.com) or provided in conjunction with such TI products. TI's provision of these resources does not expand or otherwise alter TI's applicable warranties or warranty disclaimers for TI products.

TI objects to and rejects any additional or different terms you may have proposed.

Mailing Address: Texas Instruments, Post Office Box 655303, Dallas, Texas 75265
Copyright © 2024, Texas Instruments Incorporated