

# Circuit for Driving a High-Voltage SAR With an Instrumentation Amplifier



Art Kay

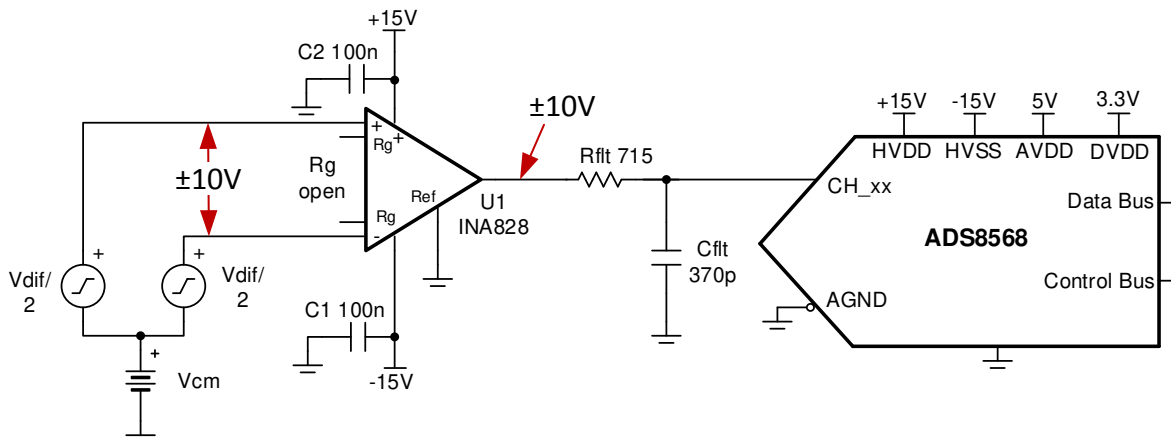
Input	ADC Input	Digital Output ADS7042
-10V	-10V	8000H
+10V	+10V	7FFFH

### Power Supplies

AVDD	DVDD	V <sub>ref</sub>	V <sub>CC</sub>	V <sub>EE</sub>
5.0V	3.0V	5.0V	+15V	-15V

### Design Description

Instrumentation amplifiers are optimized for low noise, low offset, low drift, high CMRR and high accuracy. The [INA828](#) instrumentation amplifier performs a differential to single-ended conversion for a  $\pm 10\text{-V}$  range. The [INA828](#) has excellent DC performance (that is, offset, drift), as well as good bandwidth. The [ADS8568](#) is ideally suited to work with the [INA828](#) as the ADC can be configured for a  $\pm 10\text{-V}$  single-ended input. To achieve the best settling, limit the sampling rate to 200kSPS or lower. For higher sampling rates see [Driving High-Voltage SAR ADC with a Buffered Instrumentation Amplifier](#). Also, this design example uses unity gain ( $G=1$ ) to translate a  $\pm 10\text{-V}$  differential input signal to a  $\pm 10\text{-V}$  single-ended output. For smaller input signals or higher gains, see [Circuit for Driving an ADC with an Instrumentation Amplifier in High Gain](#). This circuit implementation is applicable to [Industrial Transportation](#) and [Analog Input Modules](#) that require precision signal-processing and data-conversion.



### Specifications

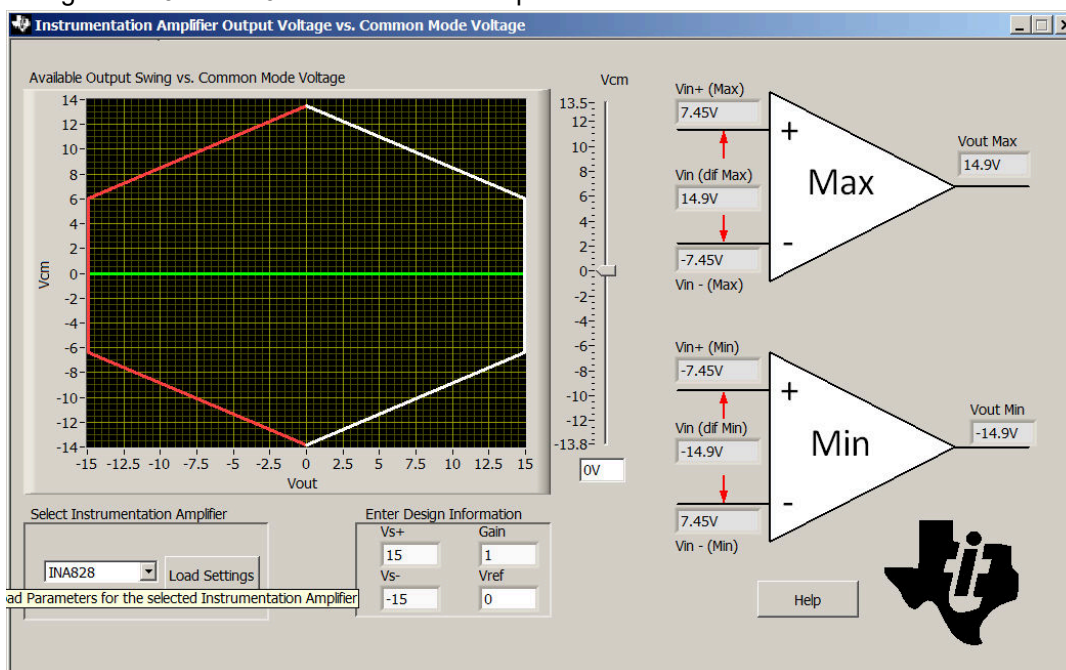
Specification	Goal	Calculated	Simulated
Transient Settling Error	$< 1/2 \text{ LSB } (\pm 152\mu\text{V})$	NA	$-105\mu\text{V}$
Noise	$< 20\mu\text{V}$	$103\mu\text{V}$	$86.6\mu\text{V}$

## Design Notes

1. The bandwidth of instrumentation amplifiers is typically not enough to drive SAR data converters at higher data rate. In this example, the sampling rate is reduced from 510kSPS to 200kSPS to achieve good settling. For full sampling rate see [Driving High-Voltage SAR ADC with a Buffered Instrumentation Amplifier](#).
2. Check the common mode and output range of the instrumentation amplifier using the [Common-Mode Input Range Calculator for Instrumentation Amplifiers](#) software tool.
3. Use a COG type capacitor for  $C_{\text{filt}}$  to minimize distortion.
4. The [Precision Labs](#) video series covers methods for selecting the charge bucket circuit  $C_{\text{filt}}$  and  $R_{\text{filt}}$ . See the [Introduction to SAR ADC Front-End Component Selection](#) for details on this subject.

## Component Selection

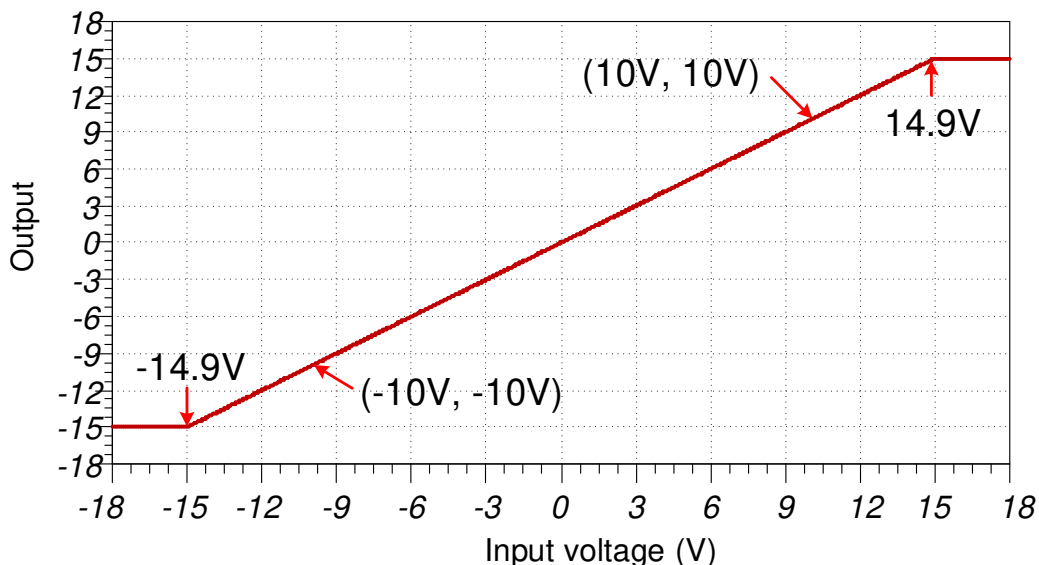
1. The [ADS8568](#) can accept a  $\pm 10\text{-V}$  single-ended input signal. The [INA828](#) is used to translate a  $\pm 10\text{-V}$  differential signal to a  $\pm 10\text{-V}$  single-ended signal. So the [INA828](#) is in unity gain for this example, and no external gain set resistor  $R_g$  is needed. See [Circuit for Driving an ADC with an Instrumentation Amplifier in High Gain](#) in cases where the input signal range is small and gain is required.
2. The [INA826](#) reference voltage ( $V_{\text{ref}}$ ) input is used to shift asymmetrical input ranges to match the input range of the ADC. In this case the input range is symmetrical so the  $V_{\text{ref}}$  pin is grounded ( $V_{\text{ref}} = 0\text{V}$ ). See [Circuit for Driving an ADC with an Instrumentation Amplifier in High Gain](#) for an example where the  $V_{\text{ref}}$  pin is used to adjust asymmetrical input signals.
3. Use the [Common-Mode Input Range Calculator for Instrumentation Amplifiers](#) to determine if the [INA828](#) is violating the common-mode range. The common-mode calculator in the following figure indicates that the output swing is  $\pm 14.9\text{V}$  for a  $0\text{-V}$  common mode input.



4. Find the value for  $C_{\text{filt}}$ , and  $R_{\text{filt}}$  using TINA SPICE and the methods described in [Introduction to SAR ADC Front-End Component Selection](#). The value of  $R_{\text{filt}}$  and  $C_{\text{filt}}$  shown in this document will work for these circuits; however, if you use different amplifiers you will have to use TINA SPICE to find new values.

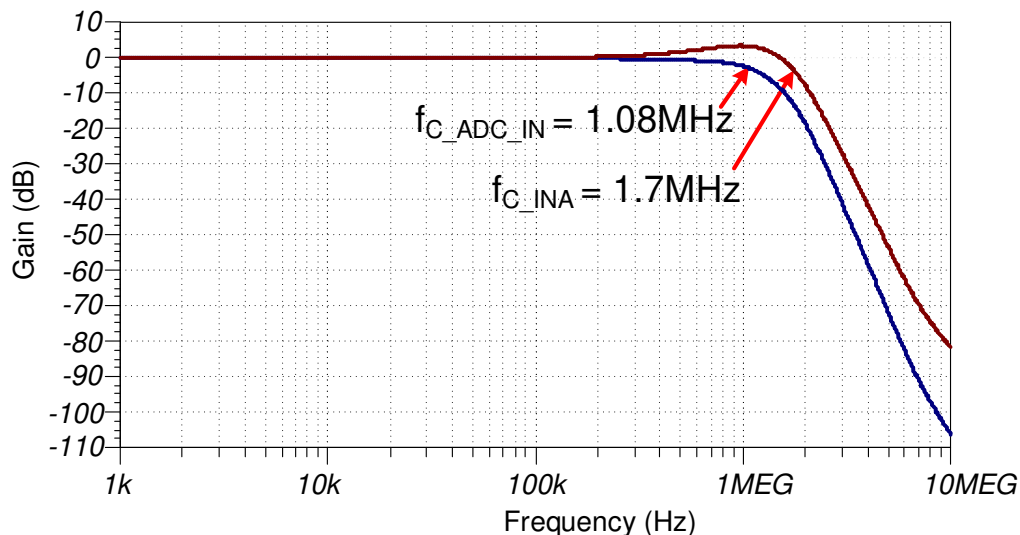
## DC Transfer Characteristics

The following graph shows a linear output response for inputs from differential  $-14.9\text{V}$  to  $+14.9\text{V}$ . The input range of the ADC is  $\pm 10\text{V}$ , so the amplifiers are linear well beyond the required range. See [Determining a SAR ADC's Linear Range when using Instrumentation Amplifiers](#) for detailed theory on this subject. The full-scale range (FSR) of the ADC falls within the linear range of the instrumentation amplifier.



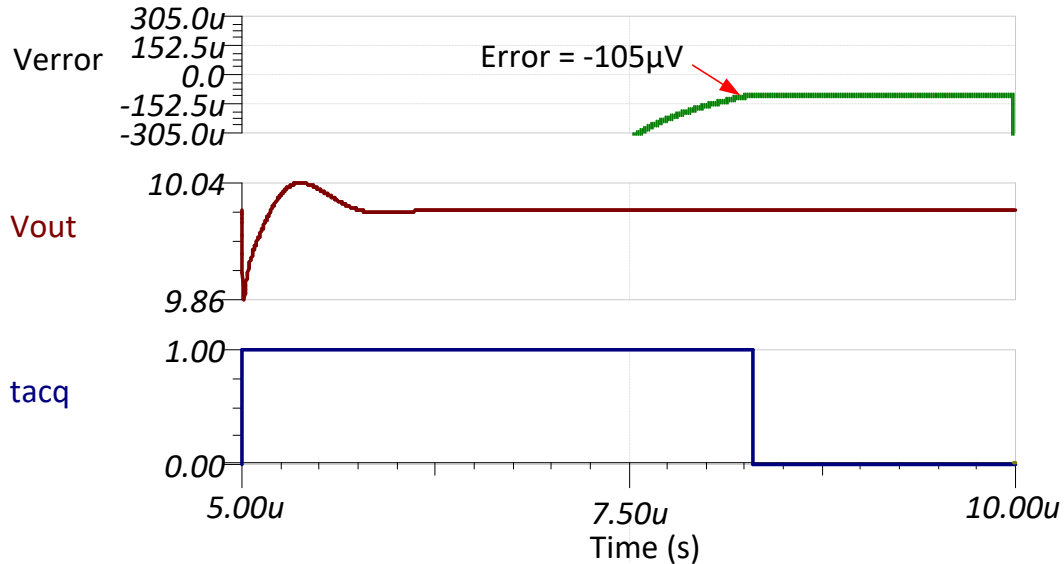
### AC Transfer Characteristics

The bandwidth for this circuit is simulated to be 446.75kHz and the gain is 0dB.



### Transient ADC Input Settling Simulation (200kSPS)

The following simulation shows settling to a 10-V DC input signal with [INA828](#) and [ADS8568](#). This type of simulation shows that the sample and hold kickback circuit is properly selected to within  $\frac{1}{2}$  of a LSB ( $152\mu\text{V}$ ) at 200kSPS sampling rate on [ADS8568](#). See the [ADC Front End Component Selection](#) video series for detailed theory on this subject.



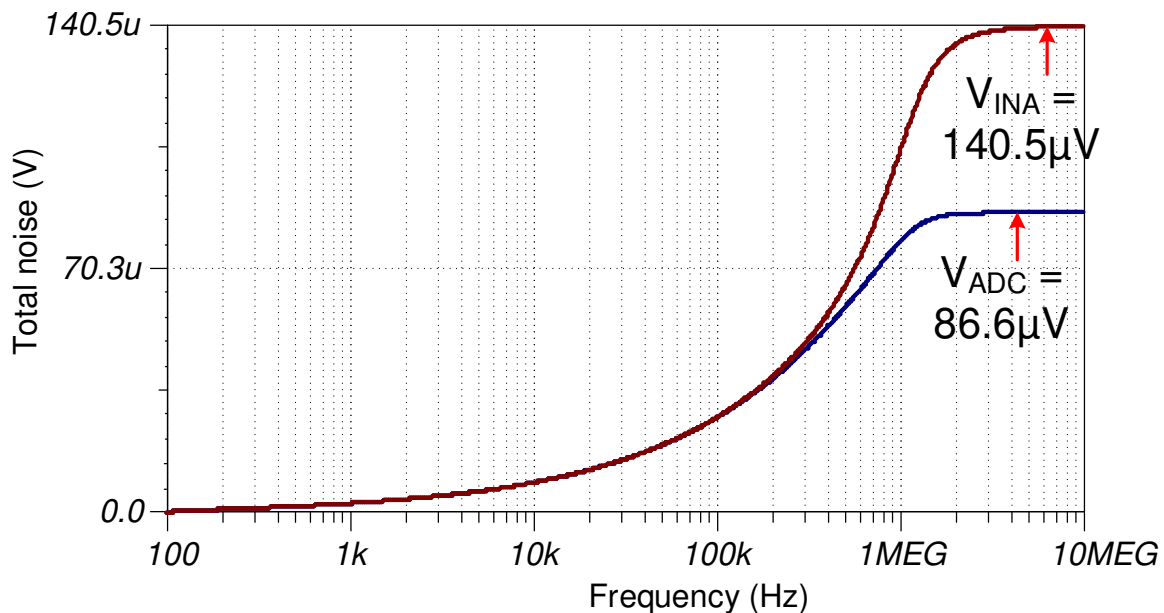
### Noise

This section shows a simplified noise calculation for a rough estimate. The bandwidth estimate was taken from the TINA simulation, and the noise density values are from the [INA828 50-µV Offset, 7-nV/√Hz Noise, Low-Power, Precision Instrumentation Amplifier](#) data sheet. The Kn factor of 1.22 is used because the filter is second order (the INA and output filter both have a pole).

$$E_{n-ADC} = Gain \cdot \sqrt{e_{ni}^2 + \left(\frac{e_{no}}{Gain}\right)^2} \cdot \sqrt{K_n \cdot f_c}$$

$$E_{n-ADC} = 1 \cdot \sqrt{(7 \text{ nV}/\sqrt{\text{Hz}})^2 + \left(\frac{90 \text{ nV}/\sqrt{\text{Hz}}}{1}\right)^2} \cdot \sqrt{1.22 \cdot 1.08 \text{ MHz}} = 103 \mu\text{Vrms}$$

Note that simulated and calculated are close but not exact (simulated = 86.6µV, calculated = 103µV). The difference is because the INA has gain peaking and the filter order is approximated as two but in reality the INA and filter poles are not exactly aligned.



## Design Featured Devices

Device	Key Features	Link	Other Possible Devices
ADS8860	16-bit resolution, SPI, 1MSPS sample rate, single-ended input, Vref input range 2.5V to 5.0V	<a href="#">16-bit, 1-MSPS, 1-channel SAR ADC with single-ended input, SPI and daisy chain</a>	<a href="#">Precision ADCs</a>
INA826	Bandwidth 1MHz (G=1), low noise $18\text{nV}/\sqrt{\text{Hz}}$ , low offset $\pm 40\mu\text{V}$ , low offset drift $\pm 0.4\mu\text{V}/^\circ\text{C}$ , low gain drift $0.1\text{ppm}/^\circ\text{C}$ . (Typical values)	<a href="#">Precision, 200-<math>\mu\text{A}</math> Supply Current, 36-V Supply Instrumentation Amplifier</a>	<a href="#">Instrumentation Amplifiers</a>

## Link to Key Files

Texas Instruments, [Source Files for SBAA999](#), support software

## Trademarks

All trademarks are the property of their respective owners.

## IMPORTANT NOTICE AND DISCLAIMER

TI PROVIDES TECHNICAL AND RELIABILITY DATA (INCLUDING DATA SHEETS), DESIGN RESOURCES (INCLUDING REFERENCE DESIGNS), APPLICATION OR OTHER DESIGN ADVICE, WEB TOOLS, SAFETY INFORMATION, AND OTHER RESOURCES "AS IS" AND WITH ALL FAULTS, AND DISCLAIMS ALL WARRANTIES, EXPRESS AND IMPLIED, INCLUDING WITHOUT LIMITATION ANY IMPLIED WARRANTIES OF MERCHANTABILITY, FITNESS FOR A PARTICULAR PURPOSE OR NON-INFRINGEMENT OF THIRD PARTY INTELLECTUAL PROPERTY RIGHTS.

These resources are intended for skilled developers designing with TI products. You are solely responsible for (1) selecting the appropriate TI products for your application, (2) designing, validating and testing your application, and (3) ensuring your application meets applicable standards, and any other safety, security, regulatory or other requirements.

These resources are subject to change without notice. TI grants you permission to use these resources only for development of an application that uses the TI products described in the resource. Other reproduction and display of these resources is prohibited. No license is granted to any other TI intellectual property right or to any third party intellectual property right. TI disclaims responsibility for, and you will fully indemnify TI and its representatives against, any claims, damages, costs, losses, and liabilities arising out of your use of these resources.

TI's products are provided subject to [TI's Terms of Sale](#) or other applicable terms available either on [ti.com](https://www.ti.com) or provided in conjunction with such TI products. TI's provision of these resources does not expand or otherwise alter TI's applicable warranties or warranty disclaimers for TI products.

TI objects to and rejects any additional or different terms you may have proposed.

Mailing Address: Texas Instruments, Post Office Box 655303, Dallas, Texas 75265  
Copyright © 2024, Texas Instruments Incorporated