

Differential Input to Differential Output Circuit Using a Fully-Differential Amplifier



Sean Cashin

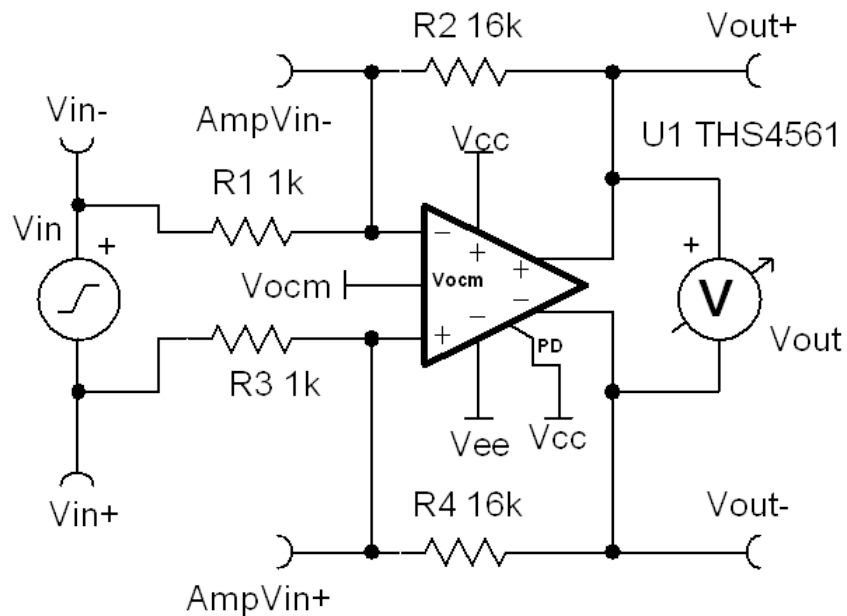
Design Goals

Input	Output	Supply	
Differential	Differential	V_{cc}	V_{ee}
1Vpp	16Vpp	10V	0V

Output Common-Mode	3dB Bandwidth	AC Gain (Gac)
5V	3MHz	16V/V

Design Description

This design uses a fully differential amplifier (FDA) as a differential input to differential output amplifier.



Design Notes

1. The ratio $R2/R1$, equal to $R4/R3$, sets the gain of the amplifier.
2. For a given supply, the output swing for an FDA is twice that of a single ended amplifier. This is because a fully differential amplifier swings both terminals of the output, instead of swinging one and fixing the other to either ground or a V_{ref} . The minimum voltage of an FDA is therefore achieved when V_{out+} is held at the

negative rail and V_{out-} is held at the positive rail, and the maximum is achieved when V_{out+} is held at the positive rail and V_{out-} is held at the negative rail.

3. FDAs are useful for noise sensitive signals, since noise coupling equally into both inputs will not be amplified, as is the case in a single ended signal referenced to ground.
4. The output voltages will be centered about the output common-mode voltage set by V_{ocm} .
5. Both feedback paths should be kept symmetrical in layout.

Design Steps

- Set the ratio R_2/R_1 to select the AC voltage gain. To keep the feedback paths balanced,

$$R_1 = R_3 = 1k\Omega \text{ (Standard Value)}$$

$$R_2 = R_4 = R_1 \cdot (G_{AC}) = 1k\Omega \cdot \left(16 \frac{V}{V}\right) = 16k\Omega \text{ (Standard Value)}$$

- Given the output rails of 9.8 V and 0.2 V for $V_s = 10$ V, verify that 16 V_{pp} falls within the output range available for $V_{ocm} = 5$ V.

In normal operation:

$$\text{Amp}V_{IN+} = \text{Amp}V_{IN-}$$

$$V_{OUT+} - V_{ocm} = V_{ocm} - V_{OUT-}$$

$$V_{OUT} = V_{OUT+} - V_{OUT-}$$

- Rearrange to solve for each output voltage in edge conditions

$$V_{OUT-} = 2V_{ocm} - V_{OUT+}$$

$$V_{OUT-} = V_{OUT+} - V_{OUT}$$

$$2V_{OUT+} = 2V_{ocm} + V_{OUT}$$

$$V_{OUT+} = V_{ocm} + \frac{V_{OUT}}{2}$$

$$V_{OUT-} = V_{ocm} - \frac{V_{OUT}}{2}$$

- Verifying for $V_{out} = +8$ V and $V_{ocm} = +5$ V,

$$V_{OUT+} = 5 + \frac{8}{2} = 9V < 9.8V$$

$$V_{OUT-} = 5 - \frac{8}{2} = 1V > 0.2V$$

- Verifying for $V_{out} = -8$ V and $V_{ocm} = +5$ V,

$$V_{OUT+} = 5 + \frac{-8}{2} = 1V > 0.2V$$

$$V_{OUT-} = 5 - \frac{-8}{2} = 9V > 9.8V$$

Note that the maximum swing possible is:

$$(9.8V - 0.2V) - (0.2V - 9.8V) = 18.4V_{pp}, \text{ or } \pm 9.4V$$

- Use the input common mode voltage range of the amplifier and the feedback resistor divider to find the signal input range when the output range is 1 V to 9 V. Due to symmetry, calculation of one side is sufficient.

$$\text{Min}(\text{Amp}V_{\text{IN}+}) = \text{Min}(\text{Amp}V_{\text{IN}-}) = V_{\text{ee}} - 0.1\text{V} = -0.1\text{V}$$

$$\text{Max}(\text{Amp}V_{\text{IN}+}) = \text{Max}(\text{Amp}V_{\text{IN}-}) = V_{\text{cc}} - 1.1\text{V} = 8.9\text{V}$$

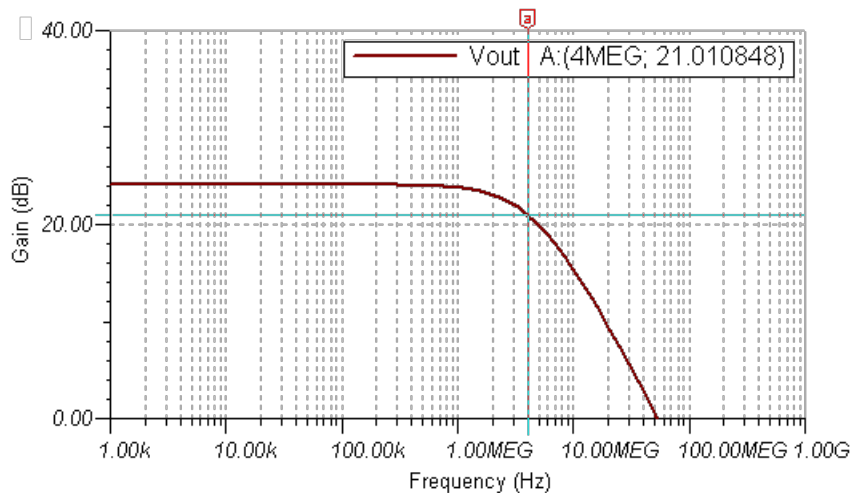
$$\frac{\text{Amp}V_{\text{IN}-} - V_{\text{IN}-}}{R_1} = \frac{V_{\text{OUT}+} - \text{Amp}V_{\text{IN}-}}{R_2}$$

$$V_{\text{IN}-} = \text{Amp}V_{\text{IN}-} - \frac{V_{\text{OUT}+} - \text{Amp}V_{\text{IN}-}}{\frac{R_2}{R_1}}$$

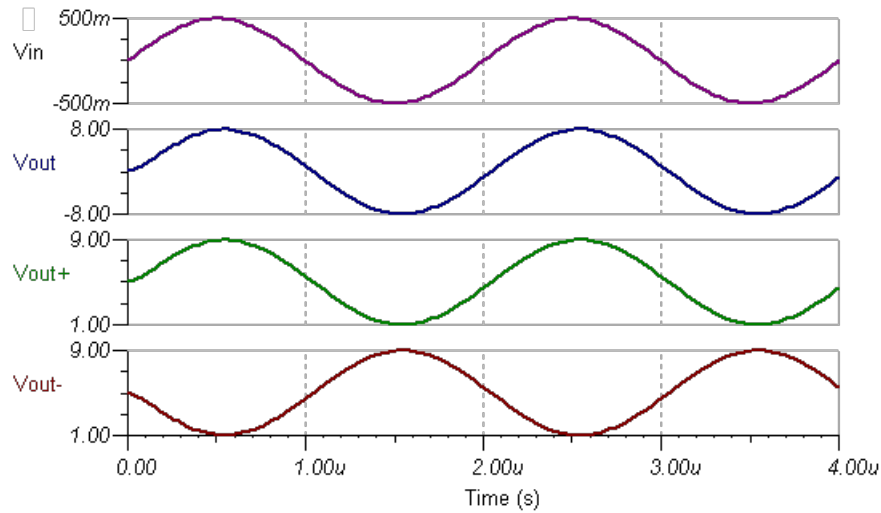
$$\text{Min}(V_{\text{IN}-}) = -0.1\text{V} - \frac{9\text{V} - (-0.1\text{V})}{16 \frac{\text{V}}{\text{V}}} = -0.65\text{V}$$

$$\text{Max}(V_{\text{IN}-}) = 8.9\text{V} + \frac{8.9\text{V} - 1\text{V}}{16 \frac{\text{V}}{\text{V}}} = 9.4\text{V}$$

Design Simulations



AC Simulation Results



Transient Simulation Results

Design References

Texas Instruments, [High-Q Active Differential Bandpass Filter Reference Design for Instrumentation Qualification](#), TIDA-01036 tool folder

Design Featured Op Amp

THS4561	
V_{ss}	3V to 13.5V
V_{inCM}	V _{ee} -0.1V to V _{cc} -1.1V
V_{out}	V _{ee} +0.2V to V _{cc} -0.2
V_{os}	TBD
I_q	TBD
I_b	TBD
UGBW	70MHz
SR	4.4V/μs
#Channels	1
THS4561	

Design Alternate Op Amp

THS4131	
V_{ss}	5V to 33V
V_{inCM}	V _{ee} +1.3V to V _{cc} -0.1V
V_{out}	Varies
V_{os}	2mV
I_q	14mA
I_b	2μA
UGBW	80MHz
SR	52V/μs
#Channels	1
THS4131	

Trademarks

All trademarks are the property of their respective owners.

IMPORTANT NOTICE AND DISCLAIMER

TI PROVIDES TECHNICAL AND RELIABILITY DATA (INCLUDING DATA SHEETS), DESIGN RESOURCES (INCLUDING REFERENCE DESIGNS), APPLICATION OR OTHER DESIGN ADVICE, WEB TOOLS, SAFETY INFORMATION, AND OTHER RESOURCES "AS IS" AND WITH ALL FAULTS, AND DISCLAIMS ALL WARRANTIES, EXPRESS AND IMPLIED, INCLUDING WITHOUT LIMITATION ANY IMPLIED WARRANTIES OF MERCHANTABILITY, FITNESS FOR A PARTICULAR PURPOSE OR NON-INFRINGEMENT OF THIRD PARTY INTELLECTUAL PROPERTY RIGHTS.

These resources are intended for skilled developers designing with TI products. You are solely responsible for (1) selecting the appropriate TI products for your application, (2) designing, validating and testing your application, and (3) ensuring your application meets applicable standards, and any other safety, security, regulatory or other requirements.

These resources are subject to change without notice. TI grants you permission to use these resources only for development of an application that uses the TI products described in the resource. Other reproduction and display of these resources is prohibited. No license is granted to any other TI intellectual property right or to any third party intellectual property right. TI disclaims responsibility for, and you will fully indemnify TI and its representatives against, any claims, damages, costs, losses, and liabilities arising out of your use of these resources.

TI's products are provided subject to [TI's Terms of Sale](#) or other applicable terms available either on [ti.com](https://www.ti.com) or provided in conjunction with such TI products. TI's provision of these resources does not expand or otherwise alter TI's applicable warranties or warranty disclaimers for TI products.

TI objects to and rejects any additional or different terms you may have proposed.

Mailing Address: Texas Instruments, Post Office Box 655303, Dallas, Texas 75265
Copyright © 2024, Texas Instruments Incorporated