

# ***Universal Instrumentation Amplifier Evaluation Module***

---



---



---

This user's guide describes the characteristics, operation, and use of two evaluation modules (EVMs) that are compatible with a variety of instrumentation amplifiers (IAs). The schematics and bills of material (BOM) are identical for both EVMs. The only difference is that one EVM is compatible with devices in VSSOP-8 (DGK) packages, and the other EVM is compatible with devices in SOIC-8 (D) packages. They are designed to evaluate the performance of the devices in both single- and dual-supply configurations. This document includes the schematic, printed circuit board (PCB) layouts, and BOM. Throughout this document the terms *evaluation board*, *evaluation module*, and *EVM* are synonymous with the Universal IA EVM.

### **Contents**

1	Overview .....	2
2	PCB Layout .....	3
3	Schematic.....	5
4	EVM Components .....	6
5	Quick Start .....	7
6	Bill of Materials .....	10
7	Related Documentation from Texas Instruments .....	10

### **List of Figures**

1	IA Pinout .....	2
2	Universal IA EVM Schematic Side (VSSOP-8) .....	3
3	Universal IA EVM Component Side (VSSOP-8) .....	3
4	Universal IA EVM Schematic Side (SOIC-8) .....	4
5	Universal IA EVM Component Side (SOIC-8) .....	4
6	Universal IA EVM Schematic.....	5
7	Dual-Supply Configuration.....	7
8	Single-Supply Configuration, Direct REF Connection .....	8
9	Single-Supply Configuration, Buffered REF Connection .....	9

### **Trademarks**

X2Y is a registered trademark of X2Y Attenuators LLC.  
All other trademarks are the property of their respective owners.

## 1 Overview

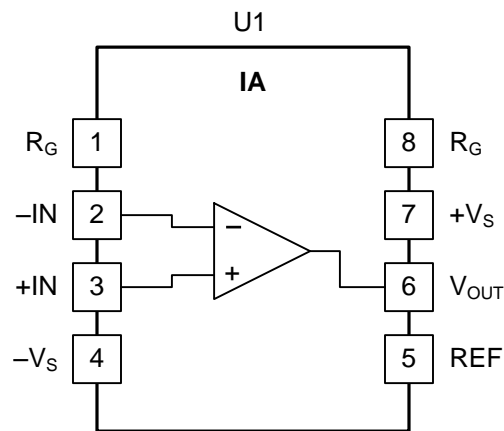
### 1.1 Features

These EVMs are intended to provide basic functional evaluation of the amplifiers shown in [Table 1](#) with the pinout shown in [Figure 1](#). The EVMs provide the following features:

- Intuitive evaluation with the silkscreen schematic
- Easy access to nodes with surface-mount test points
- Advanced evaluation with two prototype areas
- Reference voltage source flexibility
- Convenient input and output filtering

### 1.2 IA Pinout

The EVMs are intended to evaluate IAs that have the pinout shown in [Figure 1](#).



**Figure 1. IA Pinout**

### 1.3 Compatible Devices

Devices that are compatible with at least one of the EVMs are shown in [Table 1](#).

**Table 1. Compatible Devices**

Device	VSSOP-8 (DGK) EVM	SOIC-8 (D) EVM
<a href="#">INA118</a>		X
<a href="#">INA121</a>		X
<a href="#">INA122</a>		X
<a href="#">INA126</a>	X	X
<a href="#">INA128</a>		X
<a href="#">INA129</a>		X
<a href="#">INA141</a>		X
<a href="#">INA155</a>	X	X
<a href="#">INA156</a>	X	
<a href="#">INA188</a>		X
<a href="#">INA333</a>	X	

## 2 PCB Layout

The schematic and component sides of the VSSOP-8 EVM are shown in Figure 2 and Figure 3, respectively.

**NOTE:** Board layouts are not to scale. These figures are intended to show how the board is laid out; they are not intended to be used for manufacturing PCBs.

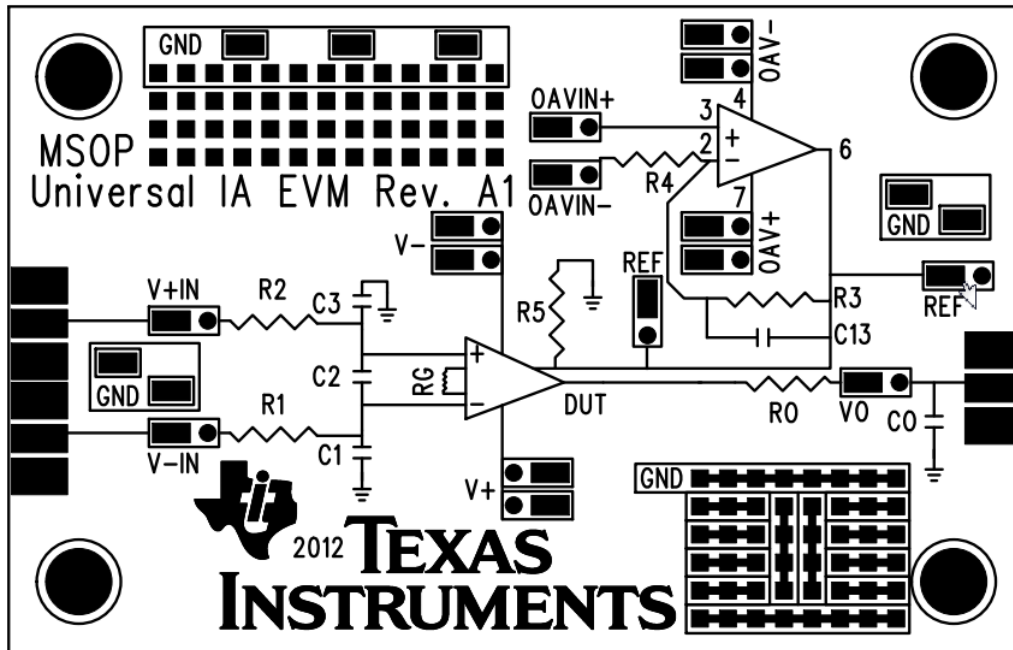


Figure 2. Universal IA EVM Schematic Side (VSSOP-8)

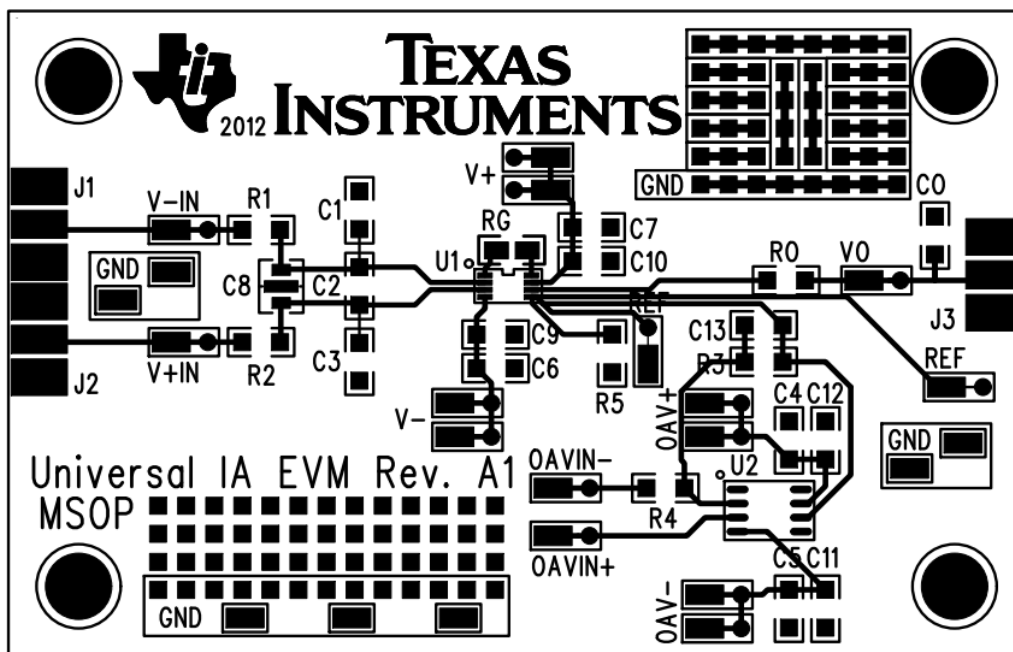


Figure 3. Universal IA EVM Component Side (VSSOP-8)

The schematic and component sides of the SOIC-8 EVM are shown in Figure 4 and Figure 5, respectively.

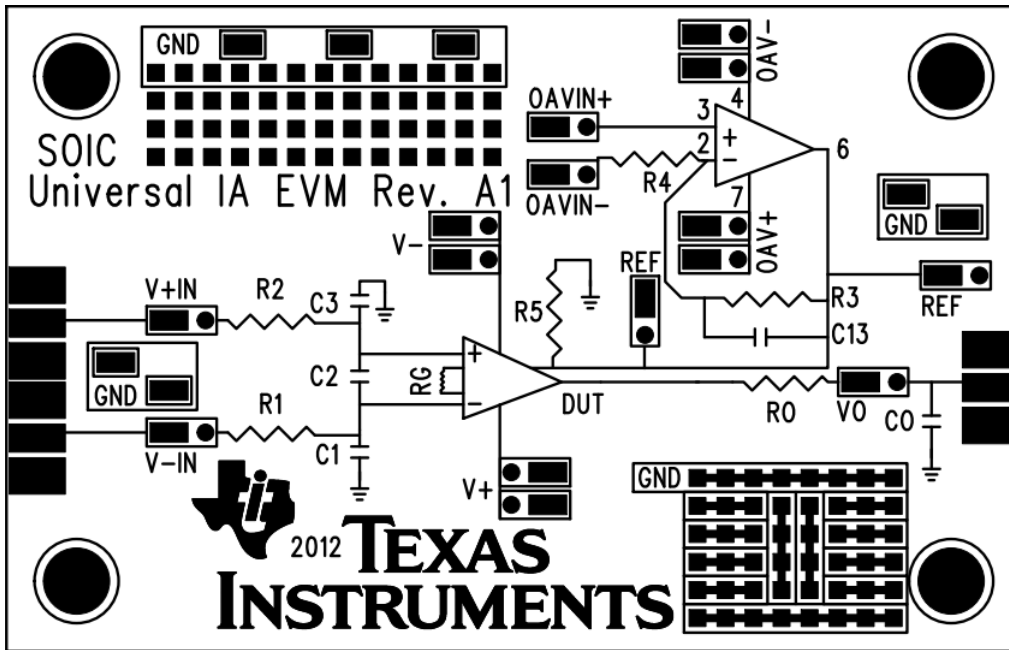


Figure 4. Universal IA EVM Schematic Side (SOIC-8)

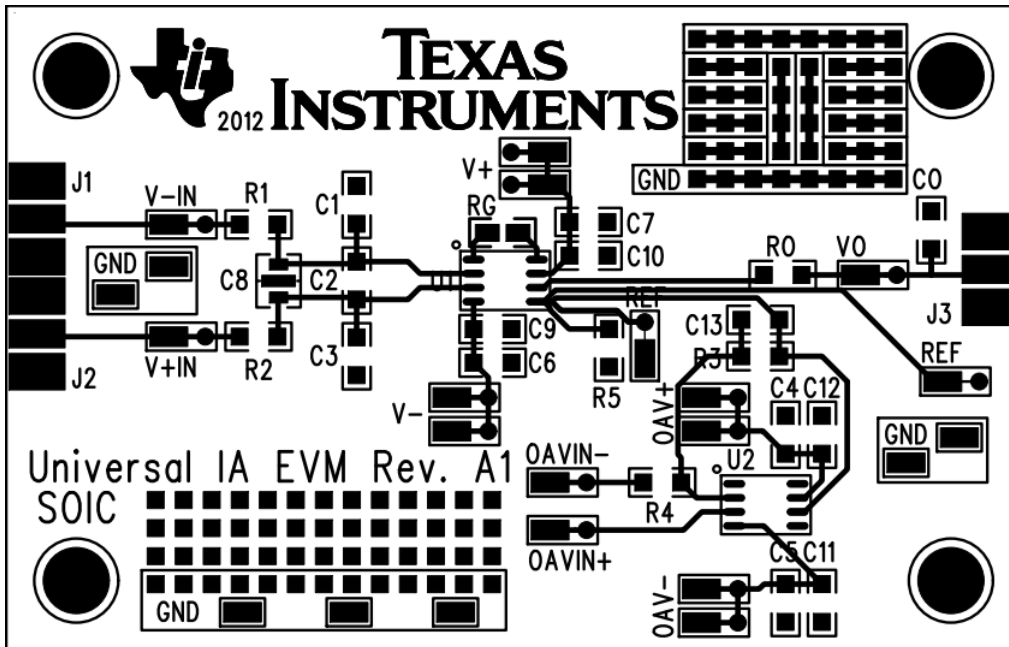


Figure 5. Universal IA EVM Component Side (SOIC-8)

### 3 Schematic

Figure 6 shows the schematic for the PCB.

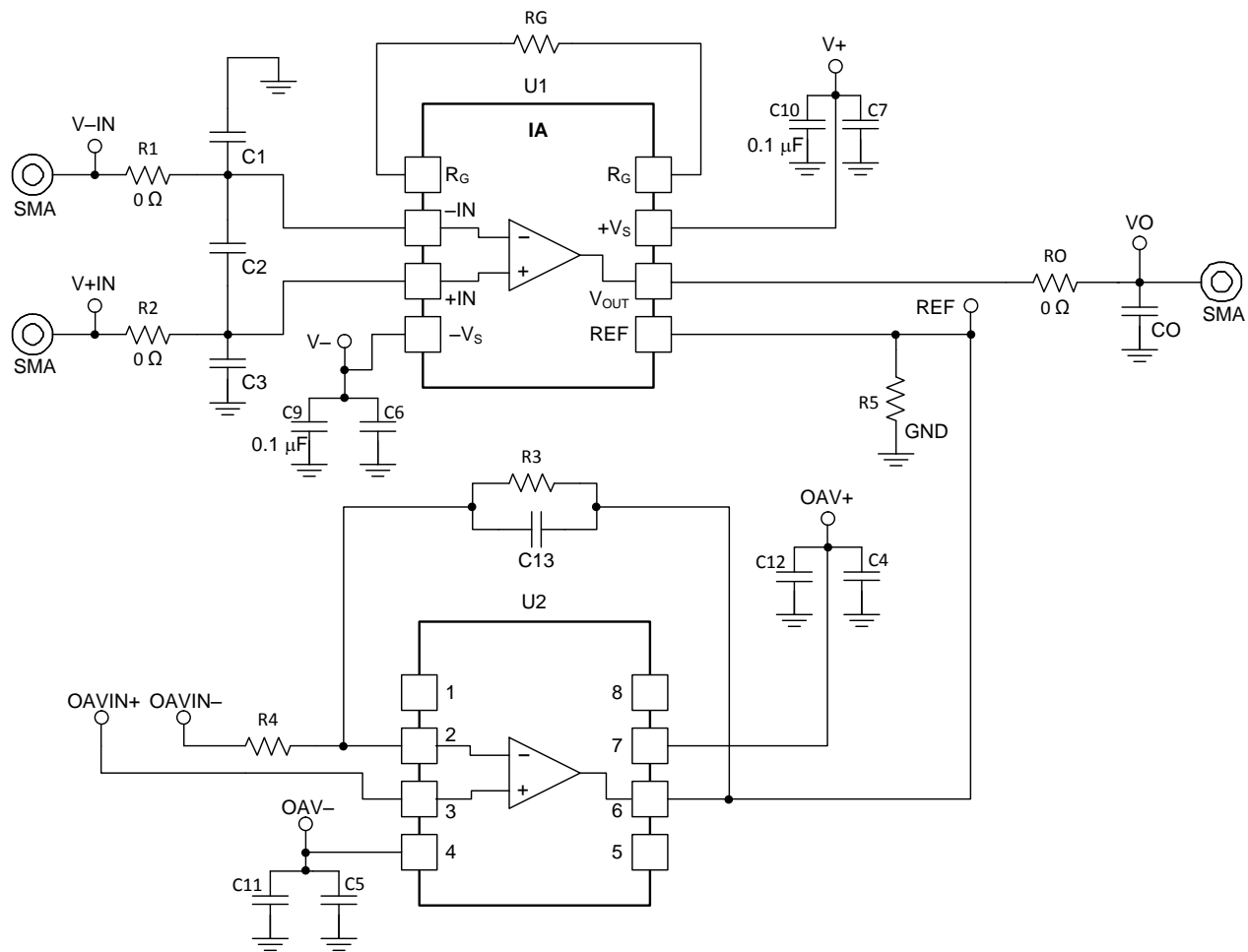


Figure 6. Universal IA EVM Schematic

## 4 EVM Components

### 4.1 Power

Power is applied to the device with test points V+ and V-. For the unpopulated device (U2), power is applied using test points OAV+ and OAV-.

### 4.2 Inputs

Inputs are applied to the device using test points V+IN and V-IN. Alternately, they can be applied by populating the input SMA connectors (J1 and J2). The inputs for U2 are applied through test points OAVIN+ and OAVIN-.

#### 4.2.1 Input Filtering

R1, R2, and C1 through C3 provide the ability to apply common-mode and differential-mode filtering to the inputs. The cutoff frequencies for the filters are shown in [Equation 1](#) and [Equation 2](#). For best performance, make C2 approximately ten times larger than C1 and C3.. These calculations presume R1 = R2 and C1 = C3.

Common-mode cutoff frequency:

$$f_{c\text{-cm}} = \frac{1}{2\pi \times R1 \times C1} \quad (1)$$

Differential-mode cutoff frequency:

$$f_{c\text{-dm}} = \frac{1}{2\pi(R1 + R2)\left(C2 + \frac{C1}{2}\right)} \quad (2)$$

### 4.3 Output

Access the output of the device with test point VO or by by populating the output SMA connector (J3).

#### 4.3.1 Output Filtering

RO and CO provide the ability to apply a single-pole RC output filter. The cutoff frequency of the output filter is calculated as shown in [Equation 3](#):

$$f_{c\text{-o}} = \frac{1}{2\pi \times RO \times CO} \quad (3)$$

### 4.4 Reference

There are multiple methods of applying a reference voltage to the device. A straightforward approach is to apply a voltage to the REF test point with U2 unpopulated. If a buffered voltage is desired, U2 can be populated with an operational amplifier in an appropriate SOIC-8 package and pinout. If the reference voltage is GND, either R5 can be populated with a 0-Ω resistor, or the REF test point can be connected to GND.

### 4.5 Prototype Area

Two prototype areas are provided for flexible evaluation. They can be used, for example, to prototype a voltage divider for a buffered reference voltage, or to supply a direct reference voltage with a device such as the [REF3225](#).

## 4.6 Miscellaneous

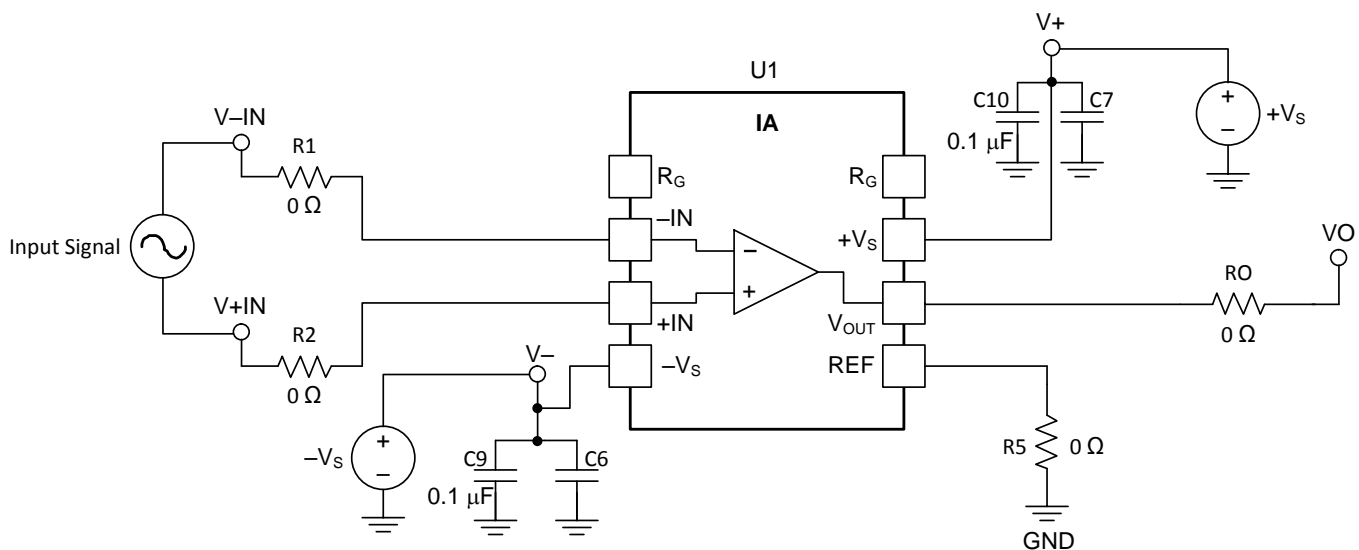
C6, C7, C9, and C10 are the supply bypass capacitors for the device. C9 and C10 are prepopulated with 0.1  $\mu\text{F}$  capacitors that usually provide adequate power supply bypassing for U1. Refer to the instrumentation amplifier data sheet for further information. Similarly, C4, C5, C11, and C12 can be populated to provide supply bypassing for U2. Refer to the buffer amplifier data sheet for further information. C8 can be used with an X2Y<sup>®</sup> capacitor.

## 5 Quick Start

The procedures presented in this section describe how to quickly set up and use the Universal IA EVM for evaluation in dual-supply and single-supply configurations.

### 5.1 Dual-Supply Configuration

Figure 7 shows an example of how to set up the EVM for dual-supply operation.



**Figure 7. Dual-Supply Configuration**

The following connections were made:

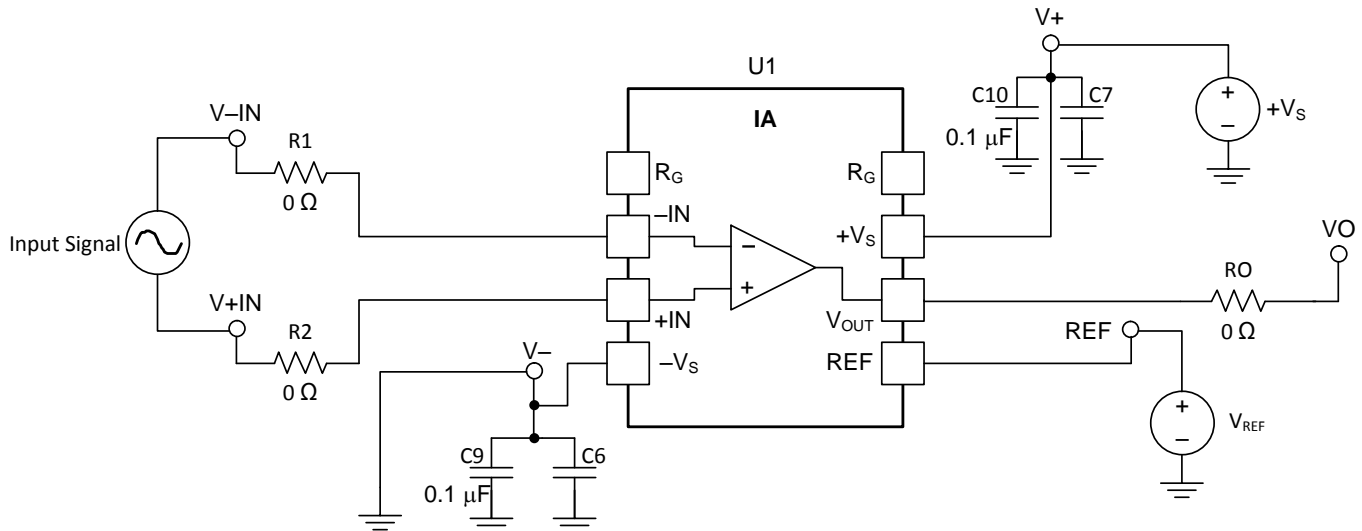
1.  $+V_S$  to V+ test point
2.  $-V_S$  to V- test point
3. Install 0- $\Omega$  resistor as R5 (or connect REF test point to GND)
4. Differential input signal connect to V-IN and V+IN test points
5. Observe output at VO test point

Note that C9 and C10 are prepopulated with 0.1- $\mu\text{F}$  power-supply decoupling capacitors. Refer to the device data sheet for additional power-supply decoupling information.

## 5.2 Single-Supply Configuration

### 5.2.1 Direct-Reference Connection

Figure 8 shows an example of how to set up the EVM for single-supply operation with a direct voltage connection to the reference (REF pin).



**Figure 8. Single-Supply Configuration, Direct REF Connection**

The following connections were made:

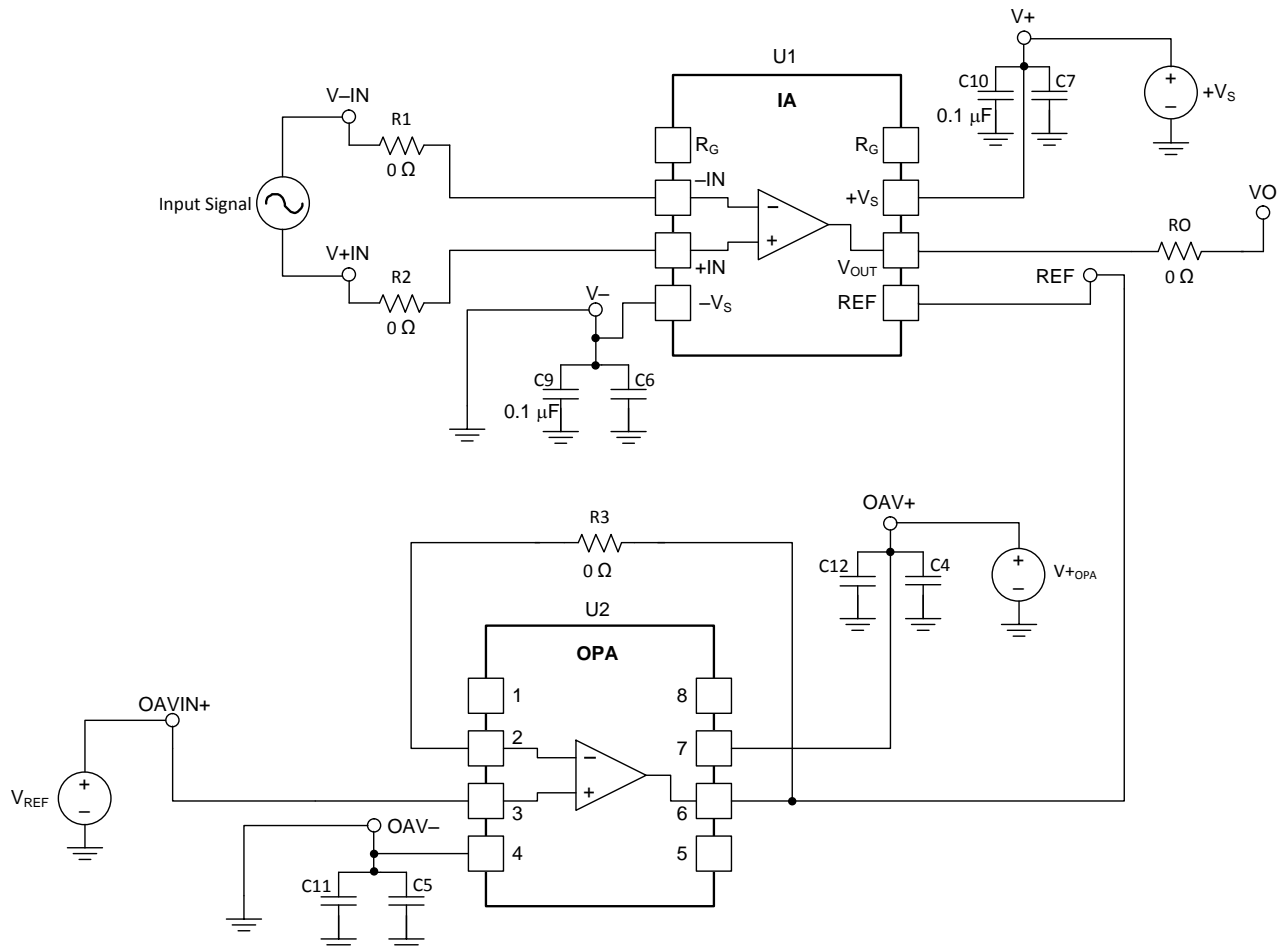
1.  $+V_S$  to V+ test point
2. GND to V- test point
3. Reference voltage to REF test point
4. Differential input signal to V-IN and V+IN test points
5. Observe output at VO test point

Note that C9 and C10 are prepopulated with 0.1- $\mu$ F power-supply decoupling capacitors. It is not required to remove C9 for proper single-supply operation. Refer to the device data sheet for additional power-supply decoupling information.



## 5.2.2 Buffered-Reference Voltage Connection

A buffered-reference configuration is useful when the source impedance is high (for example, a voltage divider). Buffering a high-impedance source with an operational amplifier provides a low-impedance source and preserves common-mode rejection. Figure 9 shows an example of how to set up the EVM for single-supply operation with a buffered-reference voltage connection. Depending on the application, desirable single-supply buffer operational amplifiers include the OPA330, OPA376, and OPA378. The OPA277 is a good choice for high-voltage applications.



**Figure 9. Single-Supply Configuration, Buffered REF Connection**

The following connections were made:

1.  $+V_S$  to V+ test point
2.  $V+_{OPA}$  to OAV+ test point
3. GND to V- and OAV- test points
4.  $V_{REF}$  to OAVIN+ test point
5. Ensure that R5 is not populated
6. Populate R3 with a 0- $\Omega$  resistor
7. Populate C4, C5, C11, and C12 with appropriate bypass capacitors for buffer amplifier
8. Differential input signal to V-IN and V+IN test points
9. Observe output at VO test point

Note that C9 and C10 are prepopulated with 0.1- $\mu$ F power-supply decoupling capacitors. It is not required to remove C9 for proper single-supply operation. Refer to the device data sheet for additional power-supply decoupling information.

## 6 Bill of Materials

Table 2 provides the parts list for the EVM.

**Table 2. Universal IA EVM Bill of Materials**

Count	RefDes	Value	Description	Part Number	Manufacturer
3	R1, R2, RO	0 $\Omega$	Resistor, 1/4W, 1206	RMCF1206ZT0R00	Stackpole Electronics
2	C9, C10	0.1 $\mu$ F	Ceramic bypass capacitors, 50 V, X7R, 20%, 1206	12065C104MAT2A	AVX Corporation
1	RG	—	Resistor, 1/4W, 0402-1206	—	—
1	C8	—	Capacitor, X2Y, 1206	—	—
8	N/A	N/A	Bumpon, cylindrical, 0.375 X 0.135, Black	SJ61A8	3M
44	Various	N/A	Surface Mount Test Points	5015	Keystone Electronics

## 7 Related Documentation from Texas Instruments

The following documents provide information regarding Texas Instruments' integrated circuits and support tools for the EVM. This user's guide is available from the TI web site under literature number **SBOU122**. Any letter appended to the literature number corresponds to the document revision that is current at the time of the writing of this document. Newer revisions may be available from the [TI web site](#), or call the Texas Instruments' Literature Response Center at (800) 477-8924 or the Product Information Center at (972) 644-5580. When ordering, identify the document by both title and literature number.

**Table 3. Related Documentation**

Document	Literature Number
<a href="#">INA118</a> Product Data Sheet	<a href="#">SBOS027</a>
<a href="#">INA121</a> Product Data Sheet	<a href="#">SBOS078</a>
<a href="#">INA122</a> Product Data Sheet	<a href="#">SBOS069</a>
<a href="#">INA126</a> Product Data Sheet	<a href="#">SBOS062</a>
<a href="#">INA128</a> Product Data Sheet	<a href="#">SBOS051</a>
<a href="#">INA129</a> Product Data Sheet	<a href="#">SBOS051</a>
<a href="#">INA141</a> Product Data Sheet	<a href="#">SBOS052</a>
<a href="#">INA155</a> Product Data Sheet	<a href="#">SBOS114</a>
<a href="#">INA156</a> Product Data Sheet	<a href="#">SBOS119</a>
<a href="#">INA188</a> Product Data Sheet	<a href="#">SBOS632</a>
<a href="#">INA333</a> Product Data Sheet	<a href="#">SBOS445</a>
<a href="#">OPA376</a> Product Data Sheet	<a href="#">SBOS406</a>
<a href="#">OPA277</a> Product Data Sheet	<a href="#">SBOS079</a>
<a href="#">OPA330</a> Product Data Sheet	<a href="#">SBOS432</a>
<a href="#">OPA378</a> Product Data Sheet	<a href="#">SBOS417</a>
<a href="#">REF3225</a> Product Data Sheet	<a href="#">SBVS058</a>

## Revision History

NOTE: Page numbers for previous revisions may differ from page numbers in the current version.

<b>Changes from A Revision (September 2015) to B Revision</b>	<b>Page</b>
---	-------------

- |  |    |
|--|----|
| • Added two rows to Table 2 for RG and C8..... | 10 |
|--|----|

<b>Changes from Original (September 2013) to A Revision</b>	<b>Page</b>
---	-------------

- |   |    |
|---|----|
| • Changed package name from MSOP to VSSOP to matching industry standard term..... | 1  |
| • Changed package name from SO to SOIC to matching industry standard term .....   | 1  |
| • Added INA188 device to Table 1.....   | 2  |
| • Added INA188 device to Table 3 .....  | 10 |

## IMPORTANT NOTICE FOR TI DESIGN INFORMATION AND RESOURCES

Texas Instruments Incorporated ("TI") technical, application or other design advice, services or information, including, but not limited to, reference designs and materials relating to evaluation modules, (collectively, "TI Resources") are intended to assist designers who are developing applications that incorporate TI products; by downloading, accessing or using any particular TI Resource in any way, you (individually or, if you are acting on behalf of a company, your company) agree to use it solely for this purpose and subject to the terms of this Notice.

TI's provision of TI Resources does not expand or otherwise alter TI's applicable published warranties or warranty disclaimers for TI products, and no additional obligations or liabilities arise from TI providing such TI Resources. TI reserves the right to make corrections, enhancements, improvements and other changes to its TI Resources.

You understand and agree that you remain responsible for using your independent analysis, evaluation and judgment in designing your applications and that you have full and exclusive responsibility to assure the safety of your applications and compliance of your applications (and of all TI products used in or for your applications) with all applicable regulations, laws and other applicable requirements. You represent that, with respect to your applications, you have all the necessary expertise to create and implement safeguards that (1) anticipate dangerous consequences of failures, (2) monitor failures and their consequences, and (3) lessen the likelihood of failures that might cause harm and take appropriate actions. You agree that prior to using or distributing any applications that include TI products, you will thoroughly test such applications and the functionality of such TI products as used in such applications. TI has not conducted any testing other than that specifically described in the published documentation for a particular TI Resource.

You are authorized to use, copy and modify any individual TI Resource only in connection with the development of applications that include the TI product(s) identified in such TI Resource. NO OTHER LICENSE, EXPRESS OR IMPLIED, BY ESTOPPEL OR OTHERWISE TO ANY OTHER TI INTELLECTUAL PROPERTY RIGHT, AND NO LICENSE TO ANY TECHNOLOGY OR INTELLECTUAL PROPERTY RIGHT OF TI OR ANY THIRD PARTY IS GRANTED HEREIN, including but not limited to any patent right, copyright, mask work right, or other intellectual property right relating to any combination, machine, or process in which TI products or services are used. Information regarding or referencing third-party products or services does not constitute a license to use such products or services, or a warranty or endorsement thereof. Use of TI Resources may require a license from a third party under the patents or other intellectual property of the third party, or a license from TI under the patents or other intellectual property of TI.

TI RESOURCES ARE PROVIDED "AS IS" AND WITH ALL FAULTS. TI DISCLAIMS ALL OTHER WARRANTIES OR REPRESENTATIONS, EXPRESS OR IMPLIED, REGARDING TI RESOURCES OR USE THEREOF, INCLUDING BUT NOT LIMITED TO ACCURACY OR COMPLETENESS, TITLE, ANY EPIDEMIC FAILURE WARRANTY AND ANY IMPLIED WARRANTIES OF MERCHANTABILITY, FITNESS FOR A PARTICULAR PURPOSE, AND NON-INFRINGEMENT OF ANY THIRD PARTY INTELLECTUAL PROPERTY RIGHTS.

TI SHALL NOT BE LIABLE FOR AND SHALL NOT DEFEND OR INDEMNIFY YOU AGAINST ANY CLAIM, INCLUDING BUT NOT LIMITED TO ANY INFRINGEMENT CLAIM THAT RELATES TO OR IS BASED ON ANY COMBINATION OF PRODUCTS EVEN IF DESCRIBED IN TI RESOURCES OR OTHERWISE. IN NO EVENT SHALL TI BE LIABLE FOR ANY ACTUAL, DIRECT, SPECIAL, COLLATERAL, INDIRECT, PUNITIVE, INCIDENTAL, CONSEQUENTIAL OR EXEMPLARY DAMAGES IN CONNECTION WITH OR ARISING OUT OF TI RESOURCES OR USE THEREOF, AND REGARDLESS OF WHETHER TI HAS BEEN ADVISED OF THE POSSIBILITY OF SUCH DAMAGES.

You agree to fully indemnify TI and its representatives against any damages, costs, losses, and/or liabilities arising out of your non-compliance with the terms and provisions of this Notice.

This Notice applies to TI Resources. Additional terms apply to the use and purchase of certain types of materials, TI products and services. These include; without limitation, TI's standard terms for semiconductor products (<http://www.ti.com/sc/docs/stdterms.htm>), [evaluation modules](#), and [samples](http://www.ti.com/sc/docs/sampterm.htm) (<http://www.ti.com/sc/docs/sampterm.htm>).

Mailing Address: Texas Instruments, Post Office Box 655303, Dallas, Texas 75265  
Copyright © 2018, Texas Instruments Incorporated