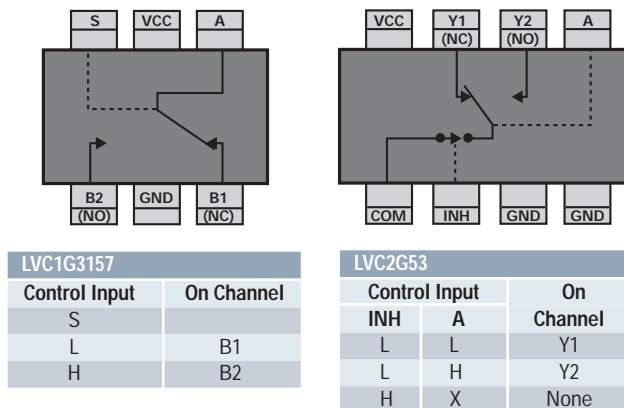


## SN74LVC1G3157 and SN74LVC2G53 SPDT Analog Switches

### Overview of SPDT Analog Switches

Texas Instruments (TI) broadens its signal switch portfolio with the SN74LVC1G3157 and SN74LVC2G53 devices. The main difference between these devices is both channels on the LVC2G53 can be placed into high impedance providing further flexibility. These 2:1 Multiplexer/Demultiplexer Analog Switches are better known as Single-Pole/Double-Throw (SPDT) switches in the analog realm. Designed for 1.65-V to 5.5-V  $V_{CC}$  operation, these devices can handle both analog and digital signals and permit signals with amplitudes of up to  $V_{CC}$  (peak) to be transmitted in either direction without clipping. Applications include analog signal routing, signal



gating, chopping and digital signal multiplexing/demultiplexing.

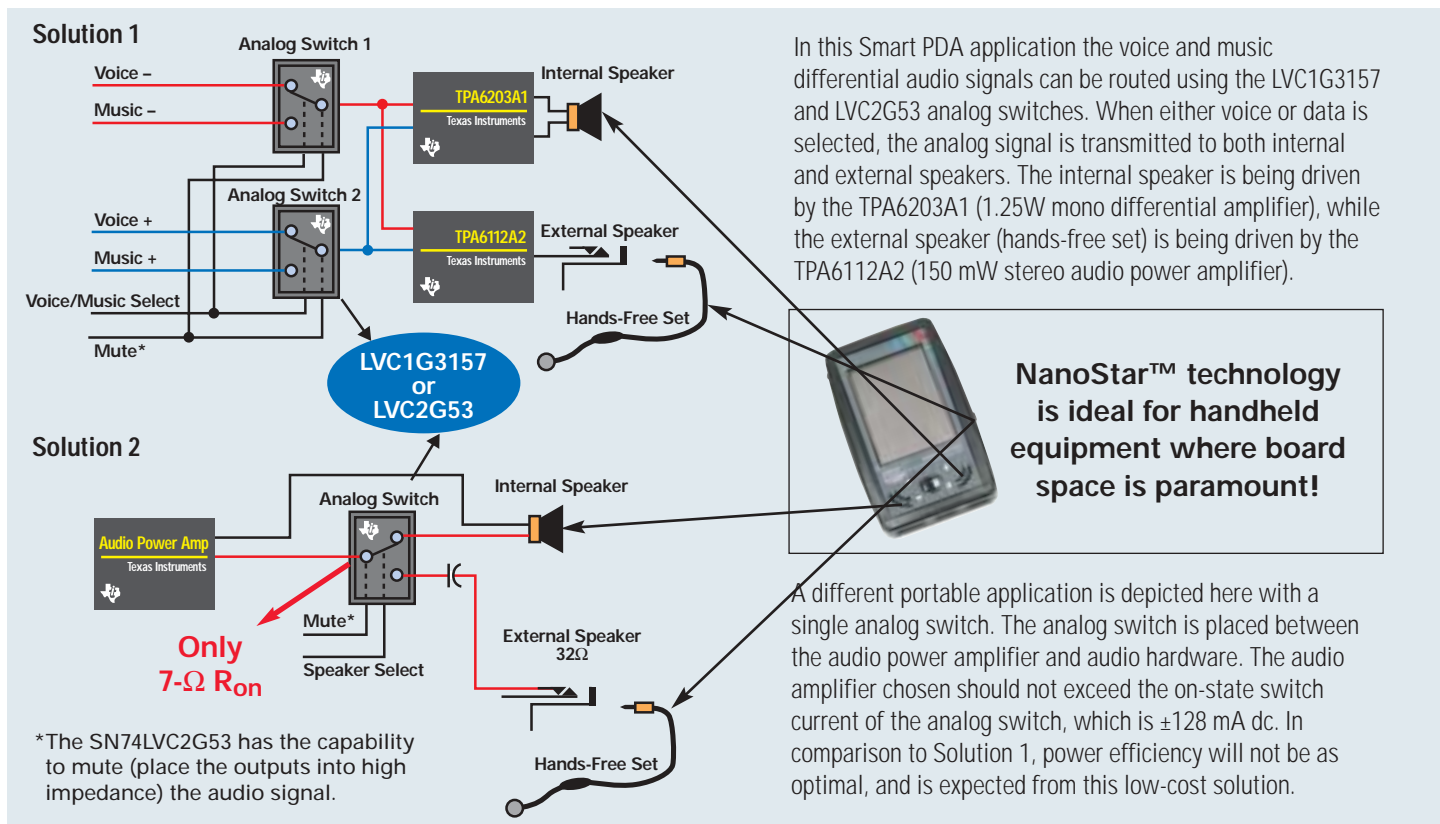
The devices are available in industry standard 6-pin [SC-70 (DCK) and SOT-23 (DBV)] and 8-pin (SSOP, VSSOP and

NanoStar™) packages, making them extremely well suited for space-constrained, portable applications such as PDAs, cell phones and other handheld products.

### SPDT Analog Switches Add Flexibility to Your Design

This application clip focuses on several key applications where these devices bring added functionality to your design. The applications include analog audio signal routing, power-up monitoring and memory sharing.

### Analog Audio Routing



\*The SN74LVC2G53 has the capability to mute (place the outputs into high impedance) the audio signal.

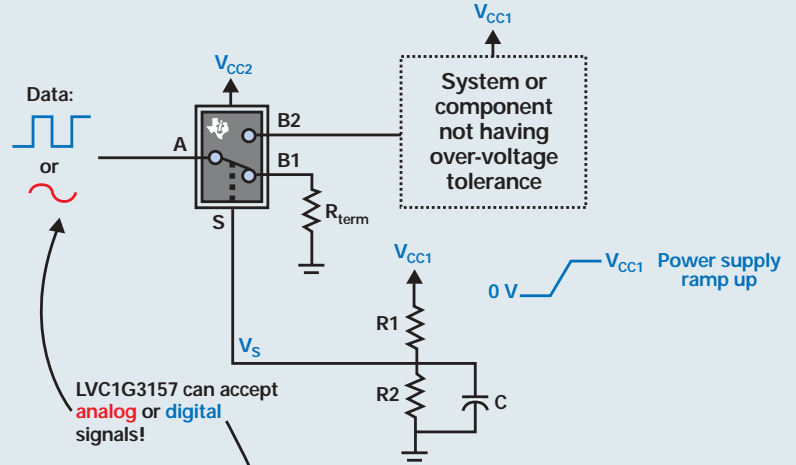
## Power Up Monitor

The SN74LVC1G3157 SPDT analog switch is flexible enough for use in a variety of circuits. Using this circuit idea, a system designer can ensure a component or subsystem power has ramped up before allowing signals to be applied to its input. This is useful for integrated circuits that do not have over-voltage tolerant inputs. The basic idea uses a resistor divider on the  $V_{CC1}$  power rail, which is ramping up. The RC time constant of the resistor divider further

delays the voltage ramp on the select pin of the SPDT bus switch. By carefully selecting values for  $R_1$ ,  $R_2$  and  $C$ , it is possible to ensure that  $V_{CC1}$  will reach its nominal value before the path from A to B2 is established, thus preventing a signal being present on an I/O before the device/system is powered up. To ensure the minimum desired delay is achieved, the designer should calculate the time required from a transition from ground (0V) to half the supply voltage ( $V_{CC1}/2$ ).

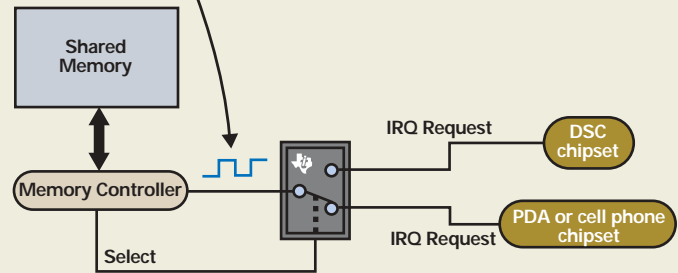
- Set  $\left(\frac{R_2}{R_1 + R_2} \times V_{CC1} > V_{IH}\right)$  of the select pin
- Choose  $R_s$  and  $C$  to achieve the desired delay
- When  $V_S$  goes HIGH, the signal will be passed

**$V_S$ , Voltage Ramp**



## Memory Sharing

As integration becomes more and more prevalent in the consumer space, two or more functionalities are being combined into single end products. An example of this is the convergence of the PDA or cell phone with the digital still camera (DSC). Once the added functionality of the DSC is introduced, the core chipset will need to access available memory shared by the PDA or cell phone chipset and will send control signals (not shown in the application circuit below) to the memory controller requesting access. This simple application summarizes how the digital interrupt request (IRQ) signal can be multiplexed using the SN74LVC1G3157 to implement this functionality.



## Performance Characteristics

The performance of the SN74LVC1G3157 and SN74LVC2G53 SPDT analog switches, as shown in the graphic, reveals that for the applications highlighted in this application clip the insertion loss, crosstalk and off isolation characteristics are more than sufficient to achieve superior functionality from your system.

## For More Information

Product Folder:

[www.ti.com/sc/device/SN7LVC1G3157](http://www.ti.com/sc/device/SN7LVC1G3157)

[www.ti.com/sc/device/SN7LVC2G53](http://www.ti.com/sc/device/SN7LVC2G53)

Data Sheet:

[www-s.ti.com/sc/techlit/sces424a](http://www-s.ti.com/sc/techlit/sces424a)

[www-s.ti.com/sc/techlit/sces3241](http://www-s.ti.com/sc/techlit/sces3241)

Application Report:

[www-s.ti.com/sc/techlit/szza030](http://www-s.ti.com/sc/techlit/szza030)

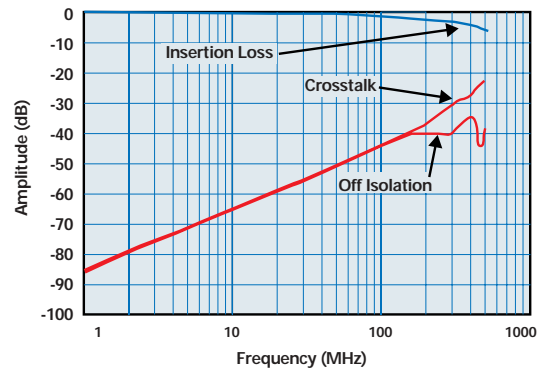
Analog Switches Home Page:

[www.ti.com/signalswitches](http://www.ti.com/signalswitches)

For up-to-date information to support your design and development needs, visit:

[support.ti.com](http://support.ti.com)

SN74LVC1G3157 and SN74LVC2G53



### Safe Harbor Statement

This publication contains forward-looking statements that involve a number of risks and uncertainties. These "forward-looking statements" are intended to qualify for the safe harbor from liability established by the Private Securities Litigation Reform Act of 1995. These forward-looking statements generally can be identified by phrases such as "TI or its management believes," "expects," "anticipates," "foresees," "forecasts," "estimates" or other words or phrases of similar import. Similarly, such statements herein that describe the company's products, business strategy, outlook, objectives, plans, intentions or goals also are forward-looking statements. All such forward-looking statements are subject to certain risks and uncertainties that could cause actual results to differ materially from those in forward-looking statements. Please refer to TI's most recent Form 10-K for more information on the risks and uncertainties that could materially affect future results of operations. We disclaim any intention or obligation to update any forward-looking statements as a result of developments occurring after the date of this publication.