

# Bipolar Voltage Outputs for the TLV56xx Family of DACs

Frank Schoofs

Precision Digital-to-Analog Converters

## ABSTRACT

A method for generating a symmetrical, bipolar, output swing voltage from a TI TLV56xx-family [digital-to-analog converter](#) (DAC) by using a bipolar operational amplifier (op amp), [TLE2142](#), is presented. The resulting output voltage has a wide range that is limited only by the choice of op amp used for conditioning the DAC output signal. The example in this report realizes an output voltage range of  $\pm 13.8$  V for a 10-k $\Omega$  load.

## Design Problem

Some applications require digital-to-analog signal conversion with a bipolar output-voltage range. The output-voltage range of a standard unipolar DAC is generally between zero and  $2 \times V_{\text{ref}}$ ; however, it can easily be signal-conditioned to produce a bipolar range.

## Solution

The DAC's output voltage is:

$$\text{OUT} = 2V_{\text{ref}} \times \frac{\text{CODE}}{(0x1000)}$$

where *CODE* is the DAC's digital input, *OUT* is its analog output, and  $V_{\text{ref}}$  is the reference voltage, which may be already integrated into the DAC. Within the 12-bit [TLV56xx](#) family of DACs, *CODE* can have any value between 0x000 and 0xFFFF.

The conversion of a strictly non-negative voltage range into a symmetrical bipolar range is achieved using a standard op amp connected as a difference amplifier as shown in [Figure 1](#).

Referring to [Figure 1](#), the output voltage of the op amp  $A_1$  is:

$$V_O = \frac{R_4}{R_3 + R_4} \left( 1 + \frac{R_2}{R_1} \right) \text{OUT} - \frac{R_2}{R_1} V_{\text{ref}} \tag{1}$$

When  $R_2 / R_1 = R_4 / R_3$  the op amp works as a real differential amplifier and, in this case, [Equation 1](#) simplifies to:

$$V_O = \frac{R_2}{R_1} (\text{OUT} - V_{\text{ref}}) = A_{\text{DM}} (\text{OUT} - V_{\text{ref}})$$

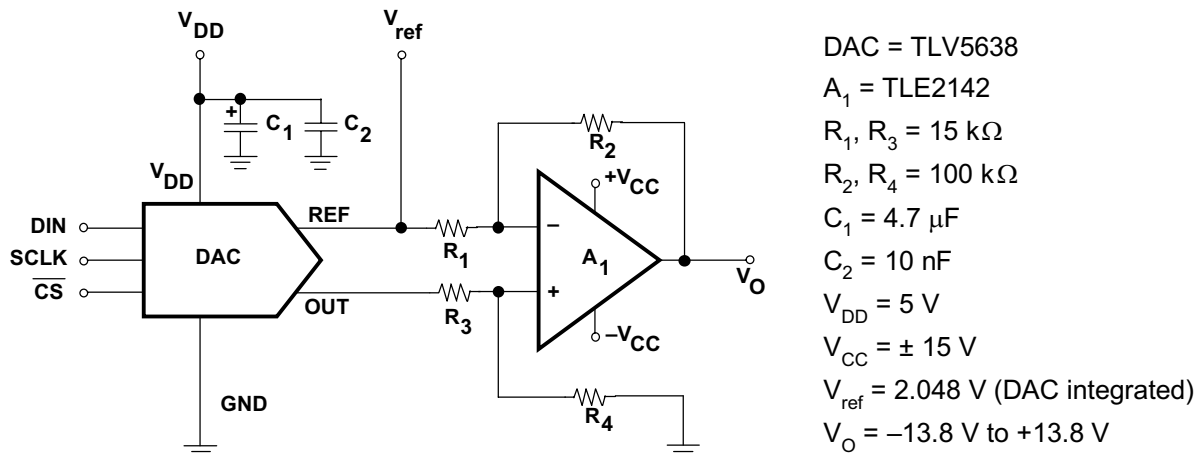


Figure 1. TLV56xx With Bipolar Output

$$\frac{R_4}{R_3} = (1 + x) \frac{R_2}{R_1}; |x| \ll 1$$

In this case, Equation 1 becomes:

$$V_O = \frac{R_2}{R_1} \left[ \frac{\left(1 + \frac{R_2}{R_1}\right) (1 + x)}{1 + \frac{R_2}{R_1} (1 + x)} \text{OUT} - V_{\text{ref}} \right] \approx A_{\text{DM}} \left[ (\text{OUT} - V_{\text{ref}}) + \frac{\text{OUT}}{1 + \frac{R_2}{R_1}} x + O(x^2) \right]$$

When *OUT* and *V<sub>ref</sub>* share the common-mode voltage, *V<sub>CM</sub>*, the output voltage and the common-mode gain are nonzero and

$$A_{\text{CM}} = \frac{V_O}{V_{\text{CM}}} \approx \left( \frac{R_2}{R_1 + R_2} \right) x$$

The common-mode rejection ratio, CMRR, is then:

$$\text{CMRR} = \left| \frac{A_{\text{DM}}}{A_{\text{CM}}} \right| = \left( \frac{R_1 + R_2}{R_1} \right) \frac{1}{|x|} \approx \frac{R_2}{R_1} \times \frac{1}{|x|}; R_2 \gg R_1$$

This result shows that it is crucial to choose very precise pairs of resistors to obtain an acceptably-high value of the common-mode rejection ratio.

## Conclusion

An easy, cost-effective method to generate bipolar outputs from a DAC is by using a bipolar difference amplifier to condition the DAC's output signal. The output voltage range depends mainly on the choice of op amp and its resistors. However, an acceptable common-mode rejection ratio can be obtained only by using resistor pairs of very high accuracy. Therefore, for those applications that are CMRR critical, an instrumental amplifier should be used instead.

## Revision History

Changes from Original (December 2000) to A Revision	Page
• Changed format to current TI application report template. ....	1

NOTE: Page numbers for previous revisions may differ from page numbers in the current version.

## IMPORTANT NOTICE

Texas Instruments Incorporated and its subsidiaries (TI) reserve the right to make corrections, enhancements, improvements and other changes to its semiconductor products and services per JESD46, latest issue, and to discontinue any product or service per JESD48, latest issue. Buyers should obtain the latest relevant information before placing orders and should verify that such information is current and complete. All semiconductor products (also referred to herein as "components") are sold subject to TI's terms and conditions of sale supplied at the time of order acknowledgment.

TI warrants performance of its components to the specifications applicable at the time of sale, in accordance with the warranty in TI's terms and conditions of sale of semiconductor products. Testing and other quality control techniques are used to the extent TI deems necessary to support this warranty. Except where mandated by applicable law, testing of all parameters of each component is not necessarily performed.

TI assumes no liability for applications assistance or the design of Buyers' products. Buyers are responsible for their products and applications using TI components. To minimize the risks associated with Buyers' products and applications, Buyers should provide adequate design and operating safeguards.

TI does not warrant or represent that any license, either express or implied, is granted under any patent right, copyright, mask work right, or other intellectual property right relating to any combination, machine, or process in which TI components or services are used. Information published by TI regarding third-party products or services does not constitute a license to use such products or services or a warranty or endorsement thereof. Use of such information may require a license from a third party under the patents or other intellectual property of the third party, or a license from TI under the patents or other intellectual property of TI.

Reproduction of significant portions of TI information in TI data books or data sheets is permissible only if reproduction is without alteration and is accompanied by all associated warranties, conditions, limitations, and notices. TI is not responsible or liable for such altered documentation. Information of third parties may be subject to additional restrictions.

Resale of TI components or services with statements different from or beyond the parameters stated by TI for that component or service voids all express and any implied warranties for the associated TI component or service and is an unfair and deceptive business practice. TI is not responsible or liable for any such statements.

Buyer acknowledges and agrees that it is solely responsible for compliance with all legal, regulatory and safety-related requirements concerning its products, and any use of TI components in its applications, notwithstanding any applications-related information or support that may be provided by TI. Buyer represents and agrees that it has all the necessary expertise to create and implement safeguards which anticipate dangerous consequences of failures, monitor failures and their consequences, lessen the likelihood of failures that might cause harm and take appropriate remedial actions. Buyer will fully indemnify TI and its representatives against any damages arising out of the use of any TI components in safety-critical applications.

In some cases, TI components may be promoted specifically to facilitate safety-related applications. With such components, TI's goal is to help enable customers to design and create their own end-product solutions that meet applicable functional safety standards and requirements. Nonetheless, such components are subject to these terms.

No TI components are authorized for use in FDA Class III (or similar life-critical medical equipment) unless authorized officers of the parties have executed a special agreement specifically governing such use.

Only those TI components which TI has specifically designated as military grade or "enhanced plastic" are designed and intended for use in military/aerospace applications or environments. Buyer acknowledges and agrees that any military or aerospace use of TI components which have **not** been so designated is solely at the Buyer's risk, and that Buyer is solely responsible for compliance with all legal and regulatory requirements in connection with such use.

TI has specifically designated certain components as meeting ISO/TS16949 requirements, mainly for automotive use. In any case of use of non-designated products, TI will not be responsible for any failure to meet ISO/TS16949.

### Products

Audio	<a href="http://www.ti.com/audio">www.ti.com/audio</a>
Amplifiers	<a href="http://amplifier.ti.com">amplifier.ti.com</a>
Data Converters	<a href="http://dataconverter.ti.com">dataconverter.ti.com</a>
DLP® Products	<a href="http://www.dlp.com">www.dlp.com</a>
DSP	<a href="http://dsp.ti.com">dsp.ti.com</a>
Clocks and Timers	<a href="http://www.ti.com/clocks">www.ti.com/clocks</a>
Interface	<a href="http://interface.ti.com">interface.ti.com</a>
Logic	<a href="http://logic.ti.com">logic.ti.com</a>
Power Mgmt	<a href="http://power.ti.com">power.ti.com</a>
Microcontrollers	<a href="http://microcontroller.ti.com">microcontroller.ti.com</a>
RFID	<a href="http://www.ti-rfid.com">www.ti-rfid.com</a>
OMAP Applications Processors	<a href="http://www.ti.com/omap">www.ti.com/omap</a>
Wireless Connectivity	<a href="http://www.ti.com/wirelessconnectivity">www.ti.com/wirelessconnectivity</a>

### Applications

Automotive and Transportation	<a href="http://www.ti.com/automotive">www.ti.com/automotive</a>
Communications and Telecom	<a href="http://www.ti.com/communications">www.ti.com/communications</a>
Computers and Peripherals	<a href="http://www.ti.com/computers">www.ti.com/computers</a>
Consumer Electronics	<a href="http://www.ti.com/consumer-apps">www.ti.com/consumer-apps</a>
Energy and Lighting	<a href="http://www.ti.com/energy">www.ti.com/energy</a>
Industrial	<a href="http://www.ti.com/industrial">www.ti.com/industrial</a>
Medical	<a href="http://www.ti.com/medical">www.ti.com/medical</a>
Security	<a href="http://www.ti.com/security">www.ti.com/security</a>
Space, Avionics and Defense	<a href="http://www.ti.com/space-avionics-defense">www.ti.com/space-avionics-defense</a>
Video and Imaging	<a href="http://www.ti.com/video">www.ti.com/video</a>

### TI E2E Community

[e2e.ti.com](http://e2e.ti.com)