

RS-485 Full-Duplex Evaluation Module

This user's guide describes the RS-485 full-duplex evaluation module (EVM). This EVM helps designers evaluate device performance, supporting the fast development and analysis of data transmission systems using any of the TI RS-485 full-duplex devices in a 14-pin SOIC package.

Contents

| | | |
|---|---|---|
| 1 | Overview | 2 |
| 2 | EVM Setup and Precautions | 2 |
| | 2.1 Power Supply Connections | 4 |
| | 2.2 Signal Connections | 4 |
| 3 | Powering Up the EVM and Taking Measurements | 5 |
| | 3.1 Measurement Examples | 5 |

List of Figures

| | | |
|---|---|---|
| 1 | RS-485 Full-Duplex EVM Schematic | 3 |
| 2 | Bridging GND With EARTH | 4 |
| 3 | Example for Stimulus and Probe Points With JMP4 and JMP14 | 4 |
| 4 | Transceiver Configuration for Normal Operation | 5 |
| 5 | RS-485 Full-Duplex EVM Setup for Normal Transceiver Operation | 6 |
| 6 | Transceiver Configuration for Maximum Loading | 7 |
| 7 | RS-485 Full-Duplex EVM Setup for Maximum Loading | 7 |
| 8 | RS-485 Full-Duplex EVM Setup for Full-Duplex Operation | 8 |

1 Overview

TI RS-485 full-duplex devices in the 14-pin SOIC package have robust drivers and receivers in a small package for demanding industrial applications. The bus pins are robust to ESD events, with high levels of protection to human-body model (HBM) and IEC contact discharge specifications. These devices each combine a differential driver and a differential receiver, which operate from a single power supply. The driver differential outputs and receiver differential inputs are not connected internally, making the devices suitable for full-duplex (four-wire bus) communication. TI's RS-485 full-duplex transceivers feature a wide common-mode voltage ($V_{(CM)}$) range, making the devices suitable for multi-point applications over long cable runs.

2 EVM Setup and Precautions

[Figure 1](#) shows the EVM schematic. The EVM board has header pins labeled from JMP1 to JMP14 (JMP5 is omitted) and three 3-pin terminal blocks labeled TB1, TB2, and TB3. These components support device evaluation for a wide range of system configurations.

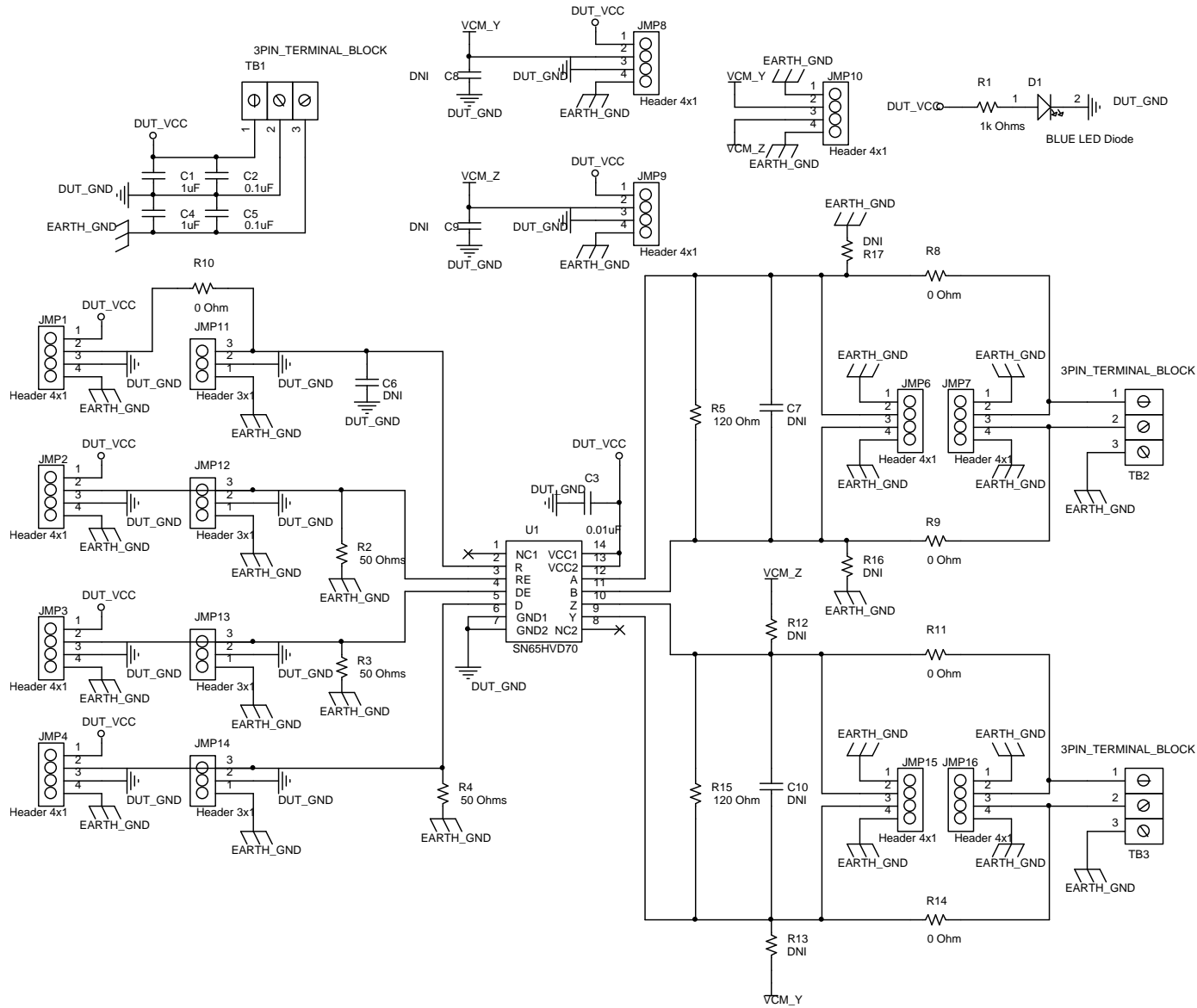


Figure 1. RS-485 Full-Duplex EVM Schematic

2.1 Power Supply Connections

- The V_{CC} pin is the positive supply voltage of the device-under-test (DUT) and is connected to the positive output of a regulated power-supply unit (PSU). The V_{CC} pin is available on various jumpers for convenient pullup connections for various signals.
- This pin is connected to the negative output or ground terminal of the PSU
- EARTH is a secondary ground net that allows for applying an external voltage between GND and EARTH to simulate common-mode voltage conditions.

For the first measurements, ignore the common-mode simulation and connect EARTH to GROUND through a wire-bridge between pin 1 and pin 2 of TB1. EARTH and GND can also be connected with a jumper on pins 3 and 4 on JMP9.

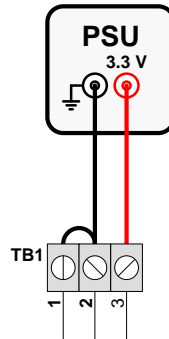


Figure 2. Bridging GND With EARTH

2.2 Signal Connections

The jumper points, JMP2, JMP3, and JMP4, are stimulation points for applying input signals to the \overline{RE} , DE, and D pins, respectively. JMP12, JMP13, and JMP14 are probe points at which the input signals can be monitored. Note that R2, R3, and R4 (located on the bottom layer of the EVM) are populated with 50- Ω resistors for convenient termination of standard 50- Ω test equipment.

If signals from external test equipment are not used for control of \overline{RE} , DE, or D, jumpers can be used to connect these pins directly to V_{CC} or GND on JMP2, JMP3, and JMP4. In this case, R2, R3, and R4 can be removed to avoid unnecessary current draw from the PSU.

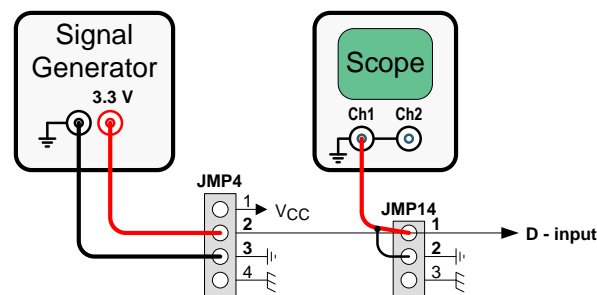


Figure 3. Example for Stimulus and Probe Points With JMP4 and JMP14

Figure 3 shows an example for entering a data signal into the driver section of the transceiver. The signal output of the generator is adjusted to 3.3 V to match the device V_{CC} power-supply requirements, and is connected to pin 2 of JMP4. The ground terminal of the generator is connected to pin 3 of JMP4. The data signal is measured through an oscilloscope with the signal input connected to pin1 of JMP14 and the ground wire connected to pin 2 of JMP14.

The same setup can be applied to the DE and \overline{RE} inputs through the corresponding headers JMP2-JMP12 and JMP3-JMP13. Jumper points JMP1 and JMP11 represent the receiver output of the transceiver and must not receive an input signal.

Instead of using signal generators, the EVM can directly interface to micro controller I/O pins. In this case, R2, R3, and R4 should be removed. For proper operation, ensure that the high-level input voltage $V_{IH} \geq 2$ V and the low-level input voltage $V_{IL} \leq 0.8$ V.

3 Powering Up the EVM and Taking Measurements

The following lists the generally recommended procedure for setting up the EVM to take measurements.

1. Install the required ground connections.
2. Connect the oscilloscope with the probe points of interest.
3. Adjust the power-supply to match the V_{CC} requirements of the selected RS-485 device.
4. Adjust the signal generator outputs for a maximum output-signal level, based on the V_{CC} requirements of the selected RS-485 device, or check the logic switching levels of the controller I/O.
5. Connect the power-supply conductor with pin 3 of TB1 and observe the turnon of the blue LED (D1).
6. Connect signal conductors from the controller or signal generator with the corresponding EVM inputs at JMP2, JMP3 JMP4.

3.1 Measurement Examples

Each of the following measurement examples shows the equivalent circuit diagram and the corresponding EVM setup. Only the measurement relevant headers and terminal blocks are shown, and not necessarily at the exact location on the EVM.

3.1.1 Standard Transceiver Configuration

To evaluate the transceiver under normal operation using only one EVM, both the driver and receiver sections must be active. Therefore, the receiver enable pin, \overline{RE} , must be at logic-low potential, and the driver enable pin, DE, must be at logic high.

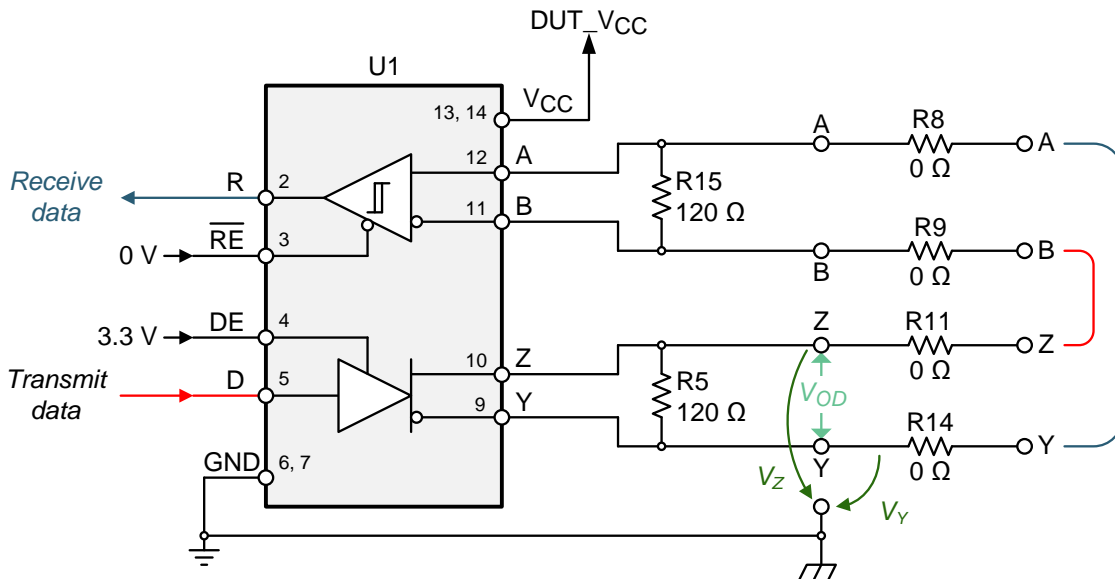


Figure 4. Transceiver Configuration for Normal Operation

Transmit data entering at the D input terminal appear as the differential output voltage ($V_{OD} = V_{(Y)} - V_{(Z)}$) on the driver output pins, Y and Z. Sensing the data traffic in the transmit section is possible through the active receiver by connecting the driver Y output to the receiver A input, and connecting the driver Z output to the receiver B input.

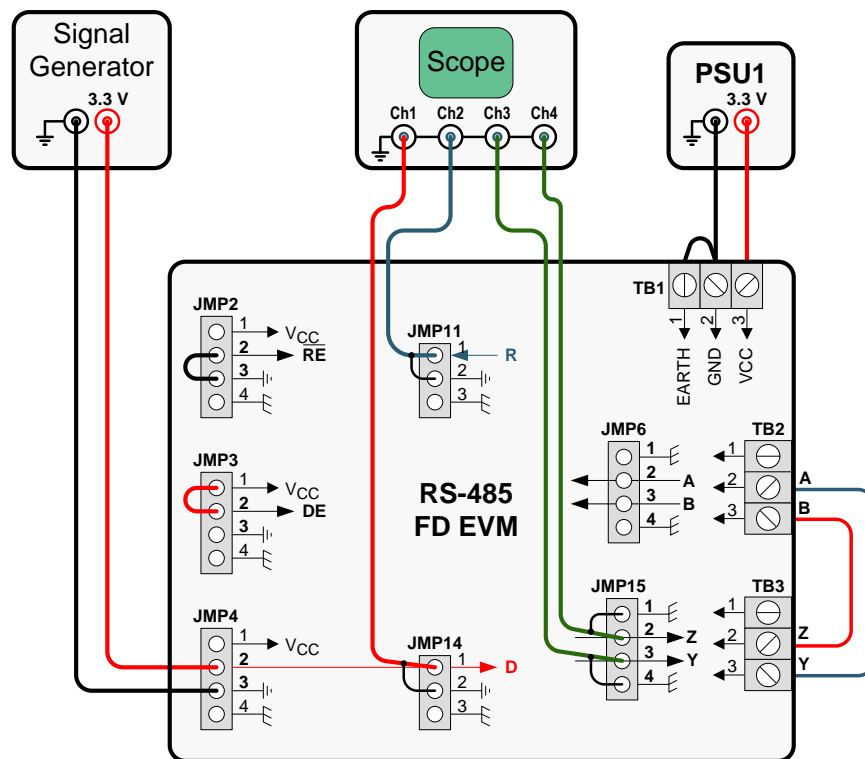


Figure 5. RS-485 Full-Duplex EVM Setup for Normal Transceiver Operation

Figure 5 shows the corresponding EVM setup. EARTH and GND receive the same reference potential, PSU-ground, through the wire-bridge from pin 1 to pin 2 of terminal block TB1. Pin 3 of terminal block TB1 is connected to the positive supply of the PSU.

The low potential for \overline{RE} is provided through the wire-bridge from pin 2 to pin 3 of JMP2, and the high potential for DE is provided through the wire-bridge from pin 2 to pin 1 of JMP3. Data from the signal generator enter the board at pin 2 and pin 3 of JMP4. This data is measured with oscilloscope channel 1 (Ch1), which is connected to pin 1 and pin 2 of JMP14. Oscilloscope channel 2 (Ch2) measures the receive data at JMP11, and channel 3 (Ch3) and channel 4 (Ch4) measure the bus voltages, either $V_{(Y)}$ and $V_{(Z)}$ at JMP15, or $V_{(A)}$ and $V_{(B)}$ at JMP6.

3.1.2 Operation Under Maximum Load

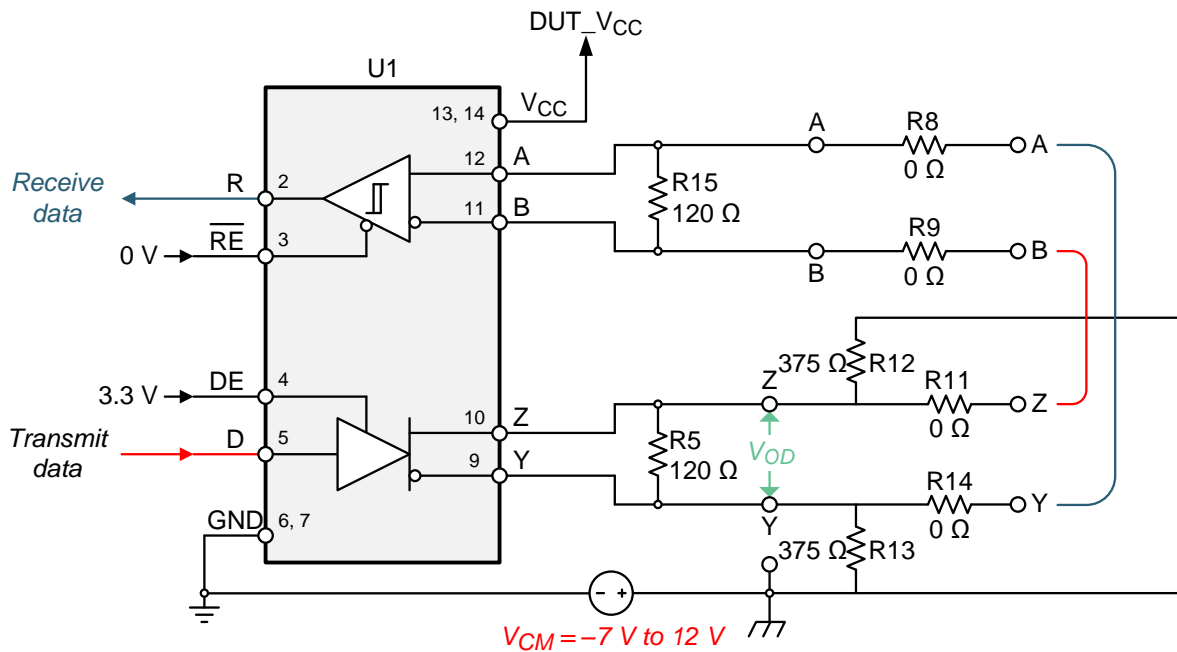


Figure 6. Transceiver Configuration for Maximum Loading

EIA-485 (RS-485) specifies three maximum load parameters: a maximum differential load of $60\ \Omega$, a maximum common-mode load of $375\ \Omega$ for each bus wire, and a receiver common-mode voltage range from $-7\ \text{V}$ to $12\ \text{V}$. Figure 6 shows the requirements through R5, R15, R12, R13, and $V_{(CM)}$. Note that under maximum load conditions the transceiver must be capable of sourcing and sinking bus currents of up to 70 mA. The purpose of this test is to show the robustness of V_{OD} over the entire common-mode voltage range at maximum load.

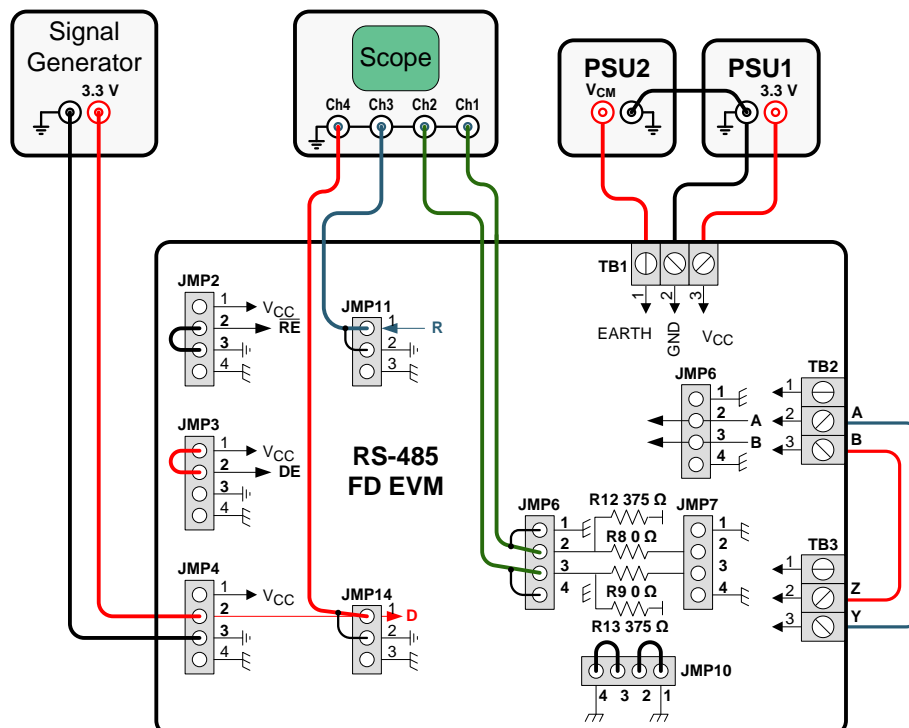


Figure 7. RS-485 Full-Duplex EVM Setup for Maximum Loading

While the cable connections of the signal generator and the oscilloscope remain the same as in the previous example, the following board changes must be implemented to reflect maximum load conditions:

- Place a 375- Ω resistor at R12
- Place a 375- Ω resistor at R13
- Connect pin 1 of JMP10 with pin 2 and pin 3 with pin 4
- Replace the previous wire-bridge at TB1 with a second power supply unit (PSU2) and connect the ground terminals of PSU1 and PSU2 with a wire-bridge, as show in Figure 7.

Note that Figure 7 only shows the wiring of PSU2 for positive common-mode voltages. For negative $V_{(CM)}$, connect the ground terminal of PSU2 with pin 1 of TB1 (EARTH), and the $V_{(CM)}$ -output of PSU2 with the ground terminal of PSU1.

3.1.3 Full-Duplex Operation

To evaluate the transceiver during full-duplex (four-wire) operation, two transceivers may be connected together as shown in Figure 8. This allows both transceivers to transmit and receive data simultaneously in a forward and reverse channel. In this configuration, each driver and receiver can be enabled at all times. Each driver and receiver is terminated with a 120- Ω resistor, making the default EVM components suitable for evaluation with a 120- Ω cable.

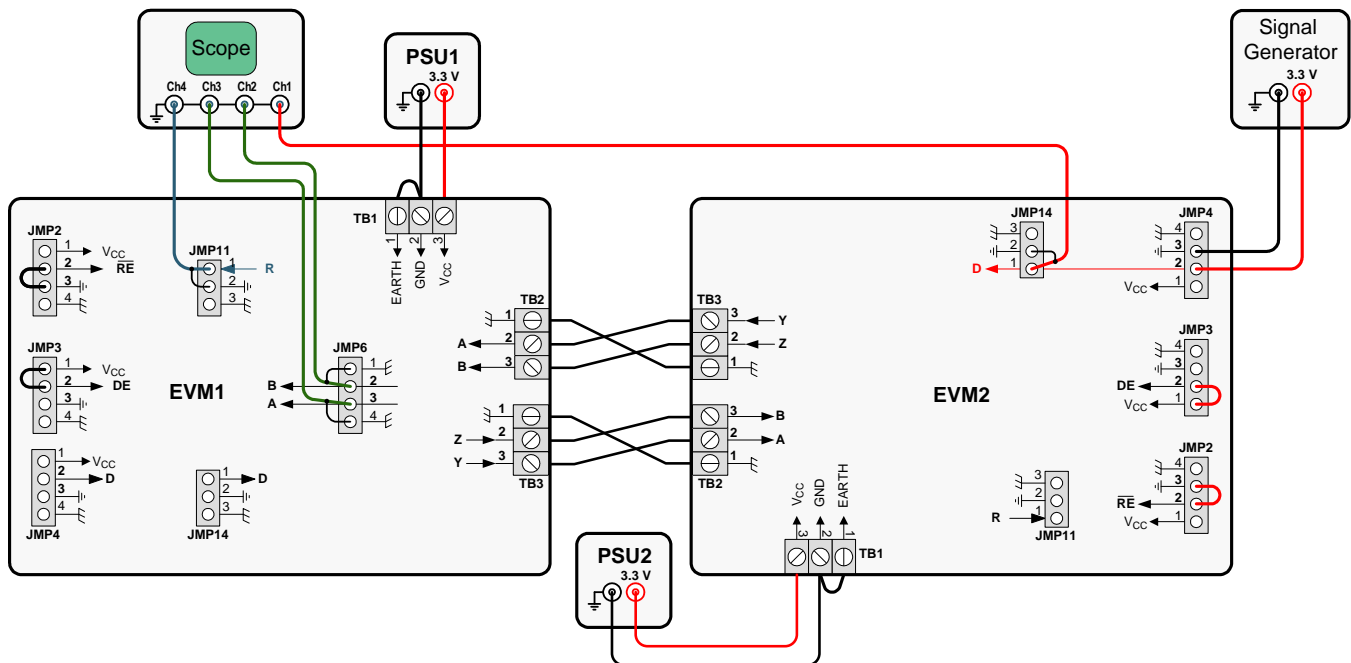


Figure 8. RS-485 Full-Duplex EVM Setup for Full-Duplex Operation

ADDITIONAL TERMS AND CONDITIONS, WARNINGS, RESTRICTIONS, AND DISCLAIMERS FOR EVALUATION MODULES

Texas Instruments Incorporated (TI) markets, sells, and loans all evaluation boards, kits, and/or modules (EVMs) pursuant to, and user expressly acknowledges, represents, and agrees, and takes sole responsibility and risk with respect to, the following:

1. User agrees and acknowledges that EVMs are intended to be handled and used for feasibility evaluation only in laboratory and/or development environments. Notwithstanding the foregoing, in certain instances, TI makes certain EVMs available to users that do not handle and use EVMs solely for feasibility evaluation only in laboratory and/or development environments, but may use EVMs in a hobbyist environment. All EVMs made available to hobbyist users are FCC certified, as applicable. Hobbyist users acknowledge, agree, and shall comply with all applicable terms, conditions, warnings, and restrictions in this document and are subject to the disclaimer and indemnity provisions included in this document.
2. Unless otherwise indicated, EVMs are not finished products and not intended for consumer use. EVMs are intended solely for use by technically qualified electronics experts who are familiar with the dangers and application risks associated with handling electrical mechanical components, systems, and subsystems.
3. User agrees that EVMs shall not be used as, or incorporated into, all or any part of a finished product.
4. User agrees and acknowledges that certain EVMs may not be designed or manufactured by TI.
5. User must read the user's guide and all other documentation accompanying EVMs, including without limitation any warning or restriction notices, prior to handling and/or using EVMs. Such notices contain important safety information related to, for example, temperatures and voltages. For additional information on TI's environmental and/or safety programs, please visit www.ti.com/esh or contact TI.
6. User assumes all responsibility, obligation, and any corresponding liability for proper and safe handling and use of EVMs.
7. Should any EVM not meet the specifications indicated in the user's guide or other documentation accompanying such EVM, the EVM may be returned to TI within 30 days from the date of delivery for a full refund. THE FOREGOING LIMITED WARRANTY IS THE EXCLUSIVE WARRANTY MADE BY TI TO USER AND IS IN LIEU OF ALL OTHER WARRANTIES, EXPRESSED, IMPLIED, OR STATUTORY, INCLUDING ANY WARRANTY OF MERCHANTABILITY OR FITNESS FOR ANY PARTICULAR PURPOSE. TI SHALL NOT BE LIABLE TO USER FOR ANY INDIRECT, SPECIAL, INCIDENTAL, OR CONSEQUENTIAL DAMAGES RELATED TO THE HANDLING OR USE OF ANY EVM.
8. No license is granted under any patent right or other intellectual property right of TI covering or relating to any machine, process, or combination in which EVMs might be or are used. TI currently deals with a variety of customers, and therefore TI's arrangement with the user is not exclusive. TI assumes no liability for applications assistance, customer product design, software performance, or infringement of patents or services with respect to the handling or use of EVMs.
9. User assumes sole responsibility to determine whether EVMs may be subject to any applicable federal, state, or local laws and regulatory requirements (including but not limited to U.S. Food and Drug Administration regulations, if applicable) related to its handling and use of EVMs and, if applicable, compliance in all respects with such laws and regulations.
10. User has sole responsibility to ensure the safety of any activities to be conducted by it and its employees, affiliates, contractors or designees, with respect to handling and using EVMs. Further, user is responsible to ensure that any interfaces (electronic and/or mechanical) between EVMs and any human body are designed with suitable isolation and means to safely limit accessible leakage currents to minimize the risk of electrical shock hazard.
11. User shall employ reasonable safeguards to ensure that user's use of EVMs will not result in any property damage, injury or death, even if EVMs should fail to perform as described or expected.
12. User shall be solely responsible for proper disposal and recycling of EVMs consistent with all applicable federal, state, and local requirements.

Certain Instructions. User shall operate EVMs within TI's recommended specifications and environmental considerations per the user's guide, accompanying documentation, and any other applicable requirements. Exceeding the specified ratings (including but not limited to input and output voltage, current, power, and environmental ranges) for EVMs may cause property damage, personal injury or death. If there are questions concerning these ratings, user should contact a TI field representative prior to connecting interface electronics including input power and intended loads. Any loads applied outside of the specified output range may result in unintended and/or inaccurate operation and/or possible permanent damage to the EVM and/or interface electronics. Please consult the applicable EVM user's guide prior to connecting any load to the EVM output. If there is uncertainty as to the load specification, please contact a TI field representative. During normal operation, some circuit components may have case temperatures greater than 60°C as long as the input and output are maintained at a normal ambient operating temperature. These components include but are not limited to linear regulators, switching transistors, pass transistors, and current sense resistors which can be identified using EVMs' schematics located in the applicable EVM user's guide. When placing measurement probes near EVMs during normal operation, please be aware that EVMs may become very warm. As with all electronic evaluation tools, only qualified personnel knowledgeable in electronic measurement and diagnostics normally found in development environments should use EVMs.

Agreement to Defend, Indemnify and Hold Harmless. User agrees to defend, indemnify, and hold TI, its directors, officers, employees, agents, representatives, affiliates, licensors and their representatives harmless from and against any and all claims, damages, losses, expenses, costs and liabilities (collectively, "Claims") arising out of, or in connection with, any handling and/or use of EVMs. User's indemnity shall apply whether Claims arise under law of tort or contract or any other legal theory, and even if EVMs fail to perform as described or expected.

Safety-Critical or Life-Critical Applications. If user intends to use EVMs in evaluations of safety critical applications (such as life support), and a failure of a TI product considered for purchase by user for use in user's product would reasonably be expected to cause severe personal injury or death such as devices which are classified as FDA Class III or similar classification, then user must specifically notify TI of such intent and enter into a separate Assurance and Indemnity Agreement.

RADIO FREQUENCY REGULATORY COMPLIANCE INFORMATION FOR EVALUATION MODULES

Texas Instruments Incorporated (TI) evaluation boards, kits, and/or modules (EVMs) and/or accompanying hardware that is marketed, sold, or loaned to users may or may not be subject to radio frequency regulations in specific countries.

General Statement for EVMs Not Including a Radio

For EVMs not including a radio and not subject to the U.S. Federal Communications Commission (FCC) or Industry Canada (IC) regulations, TI intends EVMs to be used only for engineering development, demonstration, or evaluation purposes. EVMs are not finished products typically fit for general consumer use. EVMs may nonetheless generate, use, or radiate radio frequency energy, but have not been tested for compliance with the limits of computing devices pursuant to part 15 of FCC or the ICES-003 rules. Operation of such EVMs may cause interference with radio communications, in which case the user at his own expense will be required to take whatever measures may be required to correct this interference.

General Statement for EVMs including a radio

User Power/Frequency Use Obligations: For EVMs including a radio, the radio included in such EVMs is intended for development and/or professional use only in legally allocated frequency and power limits. Any use of radio frequencies and/or power availability in such EVMs and their development application(s) must comply with local laws governing radio spectrum allocation and power limits for such EVMs. It is the user's sole responsibility to only operate this radio in legally acceptable frequency space and within legally mandated power limitations. Any exceptions to this are strictly prohibited and unauthorized by TI unless user has obtained appropriate experimental and/or development licenses from local regulatory authorities, which is the sole responsibility of the user, including its acceptable authorization.

U.S. Federal Communications Commission Compliance

For EVMs Annotated as FCC – FEDERAL COMMUNICATIONS COMMISSION Part 15 Compliant

Caution

This device complies with part 15 of the FCC Rules. Operation is subject to the following two conditions: (1) This device may not cause harmful interference, and (2) this device must accept any interference received, including interference that may cause undesired operation. Changes or modifications could void the user's authority to operate the equipment.

FCC Interference Statement for Class A EVM devices

This equipment has been tested and found to comply with the limits for a Class A digital device, pursuant to part 15 of the FCC Rules. These limits are designed to provide reasonable protection against harmful interference when the equipment is operated in a commercial environment. This equipment generates, uses, and can radiate radio frequency energy and, if not installed and used in accordance with the instruction manual, may cause harmful interference to radio communications. Operation of this equipment in a residential area is likely to cause harmful interference in which case the user will be required to correct the interference at its own expense.

FCC Interference Statement for Class B EVM devices

This equipment has been tested and found to comply with the limits for a Class B digital device, pursuant to part 15 of the FCC Rules. These limits are designed to provide reasonable protection against harmful interference in a residential installation. This equipment generates, uses and can radiate radio frequency energy and, if not installed and used in accordance with the instructions, may cause harmful interference to radio communications. However, there is no guarantee that interference will not occur in a particular installation. If this equipment does cause harmful interference to radio or television reception, which can be determined by turning the equipment off and on, the user is encouraged to try to correct the interference by one or more of the following measures:

- Reorient or relocate the receiving antenna.
- Increase the separation between the equipment and receiver.
- Connect the equipment into an outlet on a circuit different from that to which the receiver is connected.
- Consult the dealer or an experienced radio/TV technician for help.

Industry Canada Compliance (English)

For EVMs Annotated as IC – INDUSTRY CANADA Compliant:

This Class A or B digital apparatus complies with Canadian ICES-003.

Changes or modifications not expressly approved by the party responsible for compliance could void the user's authority to operate the equipment.

Concerning EVMs Including Radio Transmitters

This device complies with Industry Canada licence-exempt RSS standard(s). Operation is subject to the following two conditions: (1) this device may not cause interference, and (2) this device must accept any interference, including interference that may cause undesired operation of the device.

Concerning EVMs Including Detachable Antennas

Under Industry Canada regulations, this radio transmitter may only operate using an antenna of a type and maximum (or lesser) gain approved for the transmitter by Industry Canada. To reduce potential radio interference to other users, the antenna type and its gain should be so chosen that the equivalent isotropically radiated power (e.i.r.p.) is not more than that necessary for successful communication.

This radio transmitter has been approved by Industry Canada to operate with the antenna types listed in the user guide with the maximum permissible gain and required antenna impedance for each antenna type indicated. Antenna types not included in this list, having a gain greater than the maximum gain indicated for that type, are strictly prohibited for use with this device.

Canada Industry Canada Compliance (French)

Cet appareil numérique de la classe A ou B est conforme à la norme NMB-003 du Canada

Les changements ou les modifications pas expressément approuvés par la partie responsable de la conformité ont pu vider l'autorité de l'utilisateur pour actionner l'équipement.

Concernant les EVMs avec appareils radio

Le présent appareil est conforme aux CNR d'Industrie Canada applicables aux appareils radio exempts de licence. L'exploitation est autorisée aux deux conditions suivantes : (1) l'appareil ne doit pas produire de brouillage, et (2) l'utilisateur de l'appareil doit accepter tout brouillage radioélectrique subi, même si le brouillage est susceptible d'en compromettre le fonctionnement.

Concernant les EVMs avec antennes détachables

Conformément à la réglementation d'Industrie Canada, le présent émetteur radio peut fonctionner avec une antenne d'un type et d'un gain maximal (ou inférieur) approuvé pour l'émetteur par Industrie Canada. Dans le but de réduire les risques de brouillage radioélectrique à l'intention des autres utilisateurs, il faut choisir le type d'antenne et son gain de sorte que la puissance isotrope rayonnée équivalente (p.i.r.e.) ne dépasse pas l'intensité nécessaire à l'établissement d'une communication satisfaisante.

Le présent émetteur radio a été approuvé par Industrie Canada pour fonctionner avec les types d'antenne énumérés dans le manuel d'usage et ayant un gain admissible maximal et l'impédance requise pour chaque type d'antenne. Les types d'antenne non inclus dans cette liste, ou dont le gain est supérieur au gain maximal indiqué, sont strictement interdits pour l'exploitation de l'émetteur.

Mailing Address: Texas Instruments, Post Office Box 655303, Dallas, Texas 75265
Copyright © 2014, Texas Instruments Incorporated

Important Notice for Users of EVMs Considered “Radio Frequency Products” in Japan

EVMs entering Japan are NOT certified by TI as conforming to Technical Regulations of Radio Law of Japan.

If user uses EVMs in Japan, user is required by Radio Law of Japan to follow the instructions below with respect to EVMs:

1. Use EVMs in a shielded room or any other test facility as defined in the notification #173 issued by Ministry of Internal Affairs and Communications on March 28, 2006, based on Sub-section 1.1 of Article 6 of the Ministry's Rule for Enforcement of Radio Law of Japan,
2. Use EVMs only after user obtains the license of Test Radio Station as provided in Radio Law of Japan with respect to EVMs, or
3. Use of EVMs only after user obtains the Technical Regulations Conformity Certification as provided in Radio Law of Japan with respect to EVMs. Also, do not transfer EVMs, unless user gives the same notice above to the transferee. Please note that if user does not follow the instructions above, user will be subject to penalties of Radio Law of Japan.

<http://www.tij.co.jp>

【無線電波を送信する製品の開発キットをお使いになる際の注意事項】本開発キットは技術基準適合証明を受けておりません。本製品のご使用に際しては、電波法遵守のため、以下のいずれかの措置を取っていただく必要がありますのでご注意ください。

1. 電波法施行規則第6条第1項第1号に基づく平成18年3月28日総務省告示第173号で定められた電波暗室等の試験設備でご使用いただく。
2. 実験局の免許を取得後ご使用いただく。
3. 技術基準適合証明を取得後ご使用いただく。。

なお、本製品は、上記の「ご使用にあたっての注意」を譲渡先、移転先に通知しない限り、譲渡、移転できないものとします

上記を遵守頂けない場合は、電波法の罰則が適用される可能性があることをご留意ください。

日本テキサス・インスツルメンツ株式会社

東京都新宿区西新宿6丁目24番1号

西新宿三井ビル

<http://www.tij.co.jp>

Texas Instruments Japan Limited

(address) 24-1, Nishi-Shinjuku 6 chome, Shinjuku-ku, Tokyo, Japan

IMPORTANT NOTICE

Texas Instruments Incorporated and its subsidiaries (TI) reserve the right to make corrections, enhancements, improvements and other changes to its semiconductor products and services per JESD46, latest issue, and to discontinue any product or service per JESD48, latest issue. Buyers should obtain the latest relevant information before placing orders and should verify that such information is current and complete. All semiconductor products (also referred to herein as "components") are sold subject to TI's terms and conditions of sale supplied at the time of order acknowledgment.

TI warrants performance of its components to the specifications applicable at the time of sale, in accordance with the warranty in TI's terms and conditions of sale of semiconductor products. Testing and other quality control techniques are used to the extent TI deems necessary to support this warranty. Except where mandated by applicable law, testing of all parameters of each component is not necessarily performed.

TI assumes no liability for applications assistance or the design of Buyers' products. Buyers are responsible for their products and applications using TI components. To minimize the risks associated with Buyers' products and applications, Buyers should provide adequate design and operating safeguards.

TI does not warrant or represent that any license, either express or implied, is granted under any patent right, copyright, mask work right, or other intellectual property right relating to any combination, machine, or process in which TI components or services are used. Information published by TI regarding third-party products or services does not constitute a license to use such products or services or a warranty or endorsement thereof. Use of such information may require a license from a third party under the patents or other intellectual property of the third party, or a license from TI under the patents or other intellectual property of TI.

Reproduction of significant portions of TI information in TI data books or data sheets is permissible only if reproduction is without alteration and is accompanied by all associated warranties, conditions, limitations, and notices. TI is not responsible or liable for such altered documentation. Information of third parties may be subject to additional restrictions.

Resale of TI components or services with statements different from or beyond the parameters stated by TI for that component or service voids all express and any implied warranties for the associated TI component or service and is an unfair and deceptive business practice. TI is not responsible or liable for any such statements.

Buyer acknowledges and agrees that it is solely responsible for compliance with all legal, regulatory and safety-related requirements concerning its products, and any use of TI components in its applications, notwithstanding any applications-related information or support that may be provided by TI. Buyer represents and agrees that it has all the necessary expertise to create and implement safeguards which anticipate dangerous consequences of failures, monitor failures and their consequences, lessen the likelihood of failures that might cause harm and take appropriate remedial actions. Buyer will fully indemnify TI and its representatives against any damages arising out of the use of any TI components in safety-critical applications.

In some cases, TI components may be promoted specifically to facilitate safety-related applications. With such components, TI's goal is to help enable customers to design and create their own end-product solutions that meet applicable functional safety standards and requirements. Nonetheless, such components are subject to these terms.

No TI components are authorized for use in FDA Class III (or similar life-critical medical equipment) unless authorized officers of the parties have executed a special agreement specifically governing such use.

Only those TI components which TI has specifically designated as military grade or "enhanced plastic" are designed and intended for use in military/aerospace applications or environments. Buyer acknowledges and agrees that any military or aerospace use of TI components which have **not** been so designated is solely at the Buyer's risk, and that Buyer is solely responsible for compliance with all legal and regulatory requirements in connection with such use.

TI has specifically designated certain components as meeting ISO/TS16949 requirements, mainly for automotive use. In any case of use of non-designated products, TI will not be responsible for any failure to meet ISO/TS16949.

Products

| | |
|------------------------------|--|
| Audio | www.ti.com/audio |
| Amplifiers | amplifier.ti.com |
| Data Converters | dataconverter.ti.com |
| DLP® Products | www.dlp.com |
| DSP | dsp.ti.com |
| Clocks and Timers | www.ti.com/clocks |
| Interface | interface.ti.com |
| Logic | logic.ti.com |
| Power Mgmt | power.ti.com |
| Microcontrollers | microcontroller.ti.com |
| RFID | www.ti-rfid.com |
| OMAP Applications Processors | www.ti.com/omap |
| Wireless Connectivity | www.ti.com/wirelessconnectivity |

Applications

| | |
|-------------------------------|--|
| Automotive and Transportation | www.ti.com/automotive |
| Communications and Telecom | www.ti.com/communications |
| Computers and Peripherals | www.ti.com/computers |
| Consumer Electronics | www.ti.com/consumer-apps |
| Energy and Lighting | www.ti.com/energy |
| Industrial | www.ti.com/industrial |
| Medical | www.ti.com/medical |
| Security | www.ti.com/security |
| Space, Avionics and Defense | www.ti.com/space-avionics-defense |
| Video and Imaging | www.ti.com/video |

TI E2E Community

e2e.ti.com