

## ***bq40z60 Charging Voltage Compensation***

Thomas Cosby

Battery Management Solutions

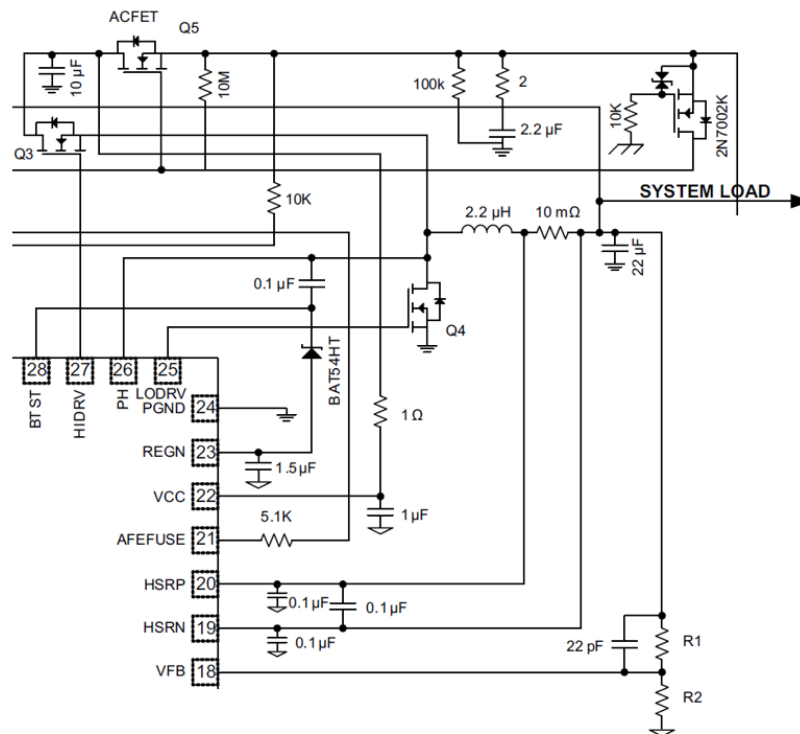
### **ABSTRACT**

The bq40z60 integrated charger is a NVDC buck architecture and the charging voltage range is set by the feedback resistors and a set of charging parameters. If you find that the charging voltage is not accurate, then you can use this document to adjust parameters to improve the accuracy.

### **Hardware Configuration:**

The charger feedback resistors set the maximum output voltage for the charger. The charger is an NVDC architecture, so the gauge dynamically adjusts the feedback voltage from 610 mV to 1220 mV as the cells charge.

The equation to set the feedback voltage is: Maximum output voltage = 1220 mV × (1 + R1 / R2)



**Figure 1. bq40z60 Charger**

## Firmware Configuration:

The bq40z60 firmware charging algorithm sets the charging voltage range. You do not have to change the feedback resistors to reduce the charging voltage. The device can adjust for this, but there is a resolution issue that we have to compensate. The issue is that the **Voltage Resolution** register accepts an integer, so the calculated value must be rounded.

### Charging Voltage

Sets the maximum pack charging voltage. Multiply the data flash *Voltage* parameter by the number of series cells.

### Minimum Output Voltage

Sets the minimum voltage for NVDC charging voltage range.

### Voltage Resolution

Sets the step size that the firmware uses for the NVDC charging voltage.

Assumptions for this example:

Cell configuration: 3S

Desired **Charging Voltage**: 12300 mV (4100 mV per cell)

The formula for the **Minimum Output Voltage** =  $610 \text{ mV} \times (1 + R1 / R2)$ , where we set  $R1 = 332 \text{ k}\Omega$  and  $R2 = 35.7 \text{ k}\Omega$  for a 3S configuration. So, the **Minimum Output Voltage** = 6283 mV

The formula for the **Voltage Resolution** =  $(610 \text{ mV} \times (1 + R1 / R2)) / 256$ .

So, **Voltage Resolution** =  $6283 \text{ mV} / 256 = \underline{24.54 \text{ mV}}$

The device only accepts an integer for the **Voltage Resolution**, so we enter 24 mV to be conservative. This is the firmware limitation that causes a mismatch between the desired maximum **Charging Voltage** and the actual maximum charging voltage. The **Voltage Resolution** parameter will be set in  $\mu\text{V}$  in the next firmware revision to allow better resolution.

The charger has an internal Voltage Register that sets the number of **Voltage Resolution** steps required to reach the **Charging Voltage**. The full-scale range of the Voltage Register is 256 steps.

**Charging Voltage** = **Minimum Output Voltage** + **Voltage Resolution**  $\times$  Voltage Register

$12300 \text{ mV} = 6283 + 24 \times \text{Voltage Register}$

Voltage Register =  $(12300 - 6283) / 24 = \underline{250.7} \Rightarrow 250$

This is where the **Voltage Resolution** data entry limitation affects the results.

The desired maximum **Charging Voltage** =  $6283 + 24 \times 250 = 12283 \text{ mV}$ , but the hardware control loop uses the actual voltage resolution of 24.54 mV. Therefore, the actual maximum **Charging Voltage** =  $6283 + 24.54 \times 250 = 12418 \text{ mV}$ , which exceeds the desired maximum **Charging Voltage**.

The firmware should set it to 245, based on the true charging voltage range.

$$\text{Voltage Register} = (12300 - 6283) / 24.54 = \underline{245.2} \Rightarrow 245$$

$$\text{Charging Voltage} = 6283 + 24.54 \times 245 = \underline{12295 \text{ mV}}$$

The device will use the entered Voltage Resolution setting (24 mV) to set the internal Voltage Register.

We need to set the **Charging Voltage** lower to force the Voltage Register to 245 to match the hardware control loop.

Therefore, you should reduce the **Charging Voltage** parameters to compensate for this mismatch.

$$\text{Charging Voltage} = 6283 + 24 \times 245 = \underline{12163 \text{ mV}}$$

Therefore, set the data flash **Voltage** (cell based) to  $12163 \text{ mV} / 3 = \underline{4054.3 \text{ mV}} \Rightarrow 4054 \text{ mV}$ .

If we set the **Voltage** to 4054 mV. (12162-mV stack), then the device will set the Voltage Register to  $(12300 - 6283) / 24.54 = \underline{245.2} \Rightarrow 245$ .

This should allow the control loop voltage range to be 6283 mV to 12295 mV ( $6283 + 24.54 \times 245$ ). The pack should switch to CV mode at this voltage and taper the current. You can follow the same process, if you want to set the peak charging voltage slightly higher.

## IMPORTANT NOTICE

Texas Instruments Incorporated and its subsidiaries (TI) reserve the right to make corrections, enhancements, improvements and other changes to its semiconductor products and services per JESD46, latest issue, and to discontinue any product or service per JESD48, latest issue. Buyers should obtain the latest relevant information before placing orders and should verify that such information is current and complete. All semiconductor products (also referred to herein as "components") are sold subject to TI's terms and conditions of sale supplied at the time of order acknowledgment.

TI warrants performance of its components to the specifications applicable at the time of sale, in accordance with the warranty in TI's terms and conditions of sale of semiconductor products. Testing and other quality control techniques are used to the extent TI deems necessary to support this warranty. Except where mandated by applicable law, testing of all parameters of each component is not necessarily performed.

TI assumes no liability for applications assistance or the design of Buyers' products. Buyers are responsible for their products and applications using TI components. To minimize the risks associated with Buyers' products and applications, Buyers should provide adequate design and operating safeguards.

TI does not warrant or represent that any license, either express or implied, is granted under any patent right, copyright, mask work right, or other intellectual property right relating to any combination, machine, or process in which TI components or services are used. Information published by TI regarding third-party products or services does not constitute a license to use such products or services or a warranty or endorsement thereof. Use of such information may require a license from a third party under the patents or other intellectual property of the third party, or a license from TI under the patents or other intellectual property of TI.

Reproduction of significant portions of TI information in TI data books or data sheets is permissible only if reproduction is without alteration and is accompanied by all associated warranties, conditions, limitations, and notices. TI is not responsible or liable for such altered documentation. Information of third parties may be subject to additional restrictions.

Resale of TI components or services with statements different from or beyond the parameters stated by TI for that component or service voids all express and any implied warranties for the associated TI component or service and is an unfair and deceptive business practice. TI is not responsible or liable for any such statements.

Buyer acknowledges and agrees that it is solely responsible for compliance with all legal, regulatory and safety-related requirements concerning its products, and any use of TI components in its applications, notwithstanding any applications-related information or support that may be provided by TI. Buyer represents and agrees that it has all the necessary expertise to create and implement safeguards which anticipate dangerous consequences of failures, monitor failures and their consequences, lessen the likelihood of failures that might cause harm and take appropriate remedial actions. Buyer will fully indemnify TI and its representatives against any damages arising out of the use of any TI components in safety-critical applications.

In some cases, TI components may be promoted specifically to facilitate safety-related applications. With such components, TI's goal is to help enable customers to design and create their own end-product solutions that meet applicable functional safety standards and requirements. Nonetheless, such components are subject to these terms.

No TI components are authorized for use in FDA Class III (or similar life-critical medical equipment) unless authorized officers of the parties have executed a special agreement specifically governing such use.

Only those TI components which TI has specifically designated as military grade or "enhanced plastic" are designed and intended for use in military/aerospace applications or environments. Buyer acknowledges and agrees that any military or aerospace use of TI components which have **not** been so designated is solely at the Buyer's risk, and that Buyer is solely responsible for compliance with all legal and regulatory requirements in connection with such use.

TI has specifically designated certain components as meeting ISO/TS16949 requirements, mainly for automotive use. In any case of use of non-designated products, TI will not be responsible for any failure to meet ISO/TS16949.

### Products

Audio	<a href="http://www.ti.com/audio">www.ti.com/audio</a>
Amplifiers	<a href="http://amplifier.ti.com">amplifier.ti.com</a>
Data Converters	<a href="http://dataconverter.ti.com">dataconverter.ti.com</a>
DLP® Products	<a href="http://www.dlp.com">www.dlp.com</a>
DSP	<a href="http://dsp.ti.com">dsp.ti.com</a>
Clocks and Timers	<a href="http://www.ti.com/clocks">www.ti.com/clocks</a>
Interface	<a href="http://interface.ti.com">interface.ti.com</a>
Logic	<a href="http://logic.ti.com">logic.ti.com</a>
Power Mgmt	<a href="http://power.ti.com">power.ti.com</a>
Microcontrollers	<a href="http://microcontroller.ti.com">microcontroller.ti.com</a>
RFID	<a href="http://www.ti-rfid.com">www.ti-rfid.com</a>
OMAP Applications Processors	<a href="http://www.ti.com/omap">www.ti.com/omap</a>
Wireless Connectivity	<a href="http://www.ti.com/wirelessconnectivity">www.ti.com/wirelessconnectivity</a>

### Applications

Automotive and Transportation	<a href="http://www.ti.com/automotive">www.ti.com/automotive</a>
Communications and Telecom	<a href="http://www.ti.com/communications">www.ti.com/communications</a>
Computers and Peripherals	<a href="http://www.ti.com/computers">www.ti.com/computers</a>
Consumer Electronics	<a href="http://www.ti.com/consumer-apps">www.ti.com/consumer-apps</a>
Energy and Lighting	<a href="http://www.ti.com/energy">www.ti.com/energy</a>
Industrial	<a href="http://www.ti.com/industrial">www.ti.com/industrial</a>
Medical	<a href="http://www.ti.com/medical">www.ti.com/medical</a>
Security	<a href="http://www.ti.com/security">www.ti.com/security</a>
Space, Avionics and Defense	<a href="http://www.ti.com/space-avionics-defense">www.ti.com/space-avionics-defense</a>
Video and Imaging	<a href="http://www.ti.com/video">www.ti.com/video</a>

### TI E2E Community

[e2e.ti.com](http://e2e.ti.com)