

# TPS53014 Buck Controller Evaluation Module User's Guide



## Table of Contents

<b>1 Introduction</b> .....	2
<b>2 Description</b> .....	2
2.1 Typical Applications.....	2
2.2 Features.....	2
<b>3 Electrical Performance Specifications</b> .....	3
<b>4 Schematic</b> .....	4
<b>5 Test Setup</b> .....	5
5.1 Test Equipment.....	5
5.2 Recommended Test Setup.....	6
<b>6 Configurations</b> .....	6
6.1 Enable/Disable Switch S1.....	6
<b>7 Test Procedure</b> .....	7
7.1 Line/Load Regulation and Efficiency Measurement Procedure.....	7
7.2 List of Test Points.....	7
7.3 Equipment Shutdown.....	7
<b>8 Performance Data and Typical Characteristic Curves</b> .....	8
8.1 Efficiency.....	8
8.2 Load Regulation.....	8
8.3 Line Regulation.....	9
8.4 Load Transient.....	9
8.5 Output Ripple.....	10
8.6 Switching Node.....	11
8.7 Enable Start-Up.....	12
8.8 Disable.....	12
8.9 Thermal Image.....	13
<b>9 EVM Assembly Drawing and PCB Layout</b> .....	14
<b>10 List of Materials</b> .....	17
<b>11 Revision History</b> .....	17

## 1 Introduction

The TPS53014EVM-126 evaluation module (EVM) presents an easy-to-use reference design for a typical point-of-load application in a standalone module using the TPS53014 controller in cost-sensitive applications.

## 2 Description

The TPS53014EVM-126 provides the user with a convenient way to evaluate the TPS53014 D-CAP2™ mode control in a cost sensitive application. Providing a 1.05-V output at up to 8 A from a loosely regulated 12-V (8 V – 22 V) source, the TPS53014EVM-126 is designed to demonstrate the TPS53014 in a typical point-of-load application while providing a number of test points to evaluate the performance of the TPS53014.

### 2.1 Typical Applications

- Point-of-load regulations in low-power systems for a wide range of applications
  - Digital TV power supply
  - Network home terminals
  - Digital set top box (STB)
  - DVD player/recorder
  - Game consoles and others

### 2.2 Features

The TPS53014EVM-126 features:

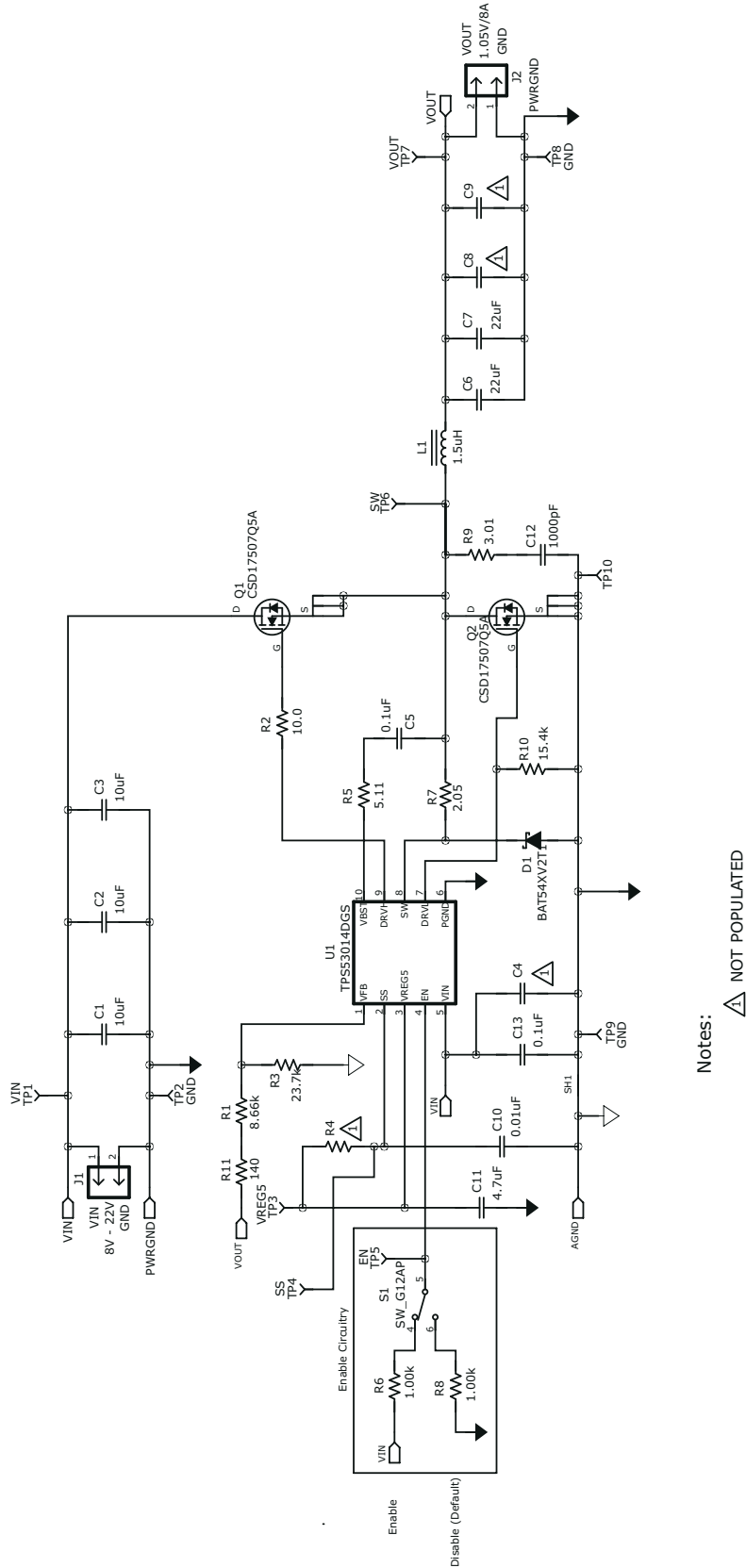
- D-CAP2™ mode control
  - Fast transient response
  - No external parts required for loop compensation
  - Compatible with ceramic output capacitors
- Auto-skip Eco-mode™ for high efficiency at light load
- 500-kHz switching frequency
- Adjustable soft start
- Non-sinking pre-biased soft start
- Cycle-by-cycle overcurrent limit
- Overcurrent, overvoltage, undervoltage, and overtemperature protections
- Convenient test points for probing critical waveforms

### 3 Electrical Performance Specifications

**Table 3-1. TPS53014EVM-126 Electrical Performance Specifications**

PARAMETER	TEST CONDITIONS	MIN	TYP	MAX	UNITS
<b>Input Characteristics</b>					
Voltage range	$V_{IN}$	8.0	12	22	V
Maximum input current	$V_{IN} = 12\text{ V}$ , $I_{OUT} = 8\text{ A}$		0.9		A
No load input current	$V_{IN} = 12\text{ V}$ , $I_{OUT} = 0\text{ A}$		0.6		mA
<b>Output Characteristics</b>					
Output voltage			1.05		V
Output voltage regulation	Setpoint accuracy ( $V_{IN} = 12\text{ V}$ , $I_{OUT} = 8\text{ A}$ )	-2%		2%	
	Line regulation ( $V_{IN} = 8.0\text{ V} - 22\text{ V}$ , $I_{OUT} = 8\text{ A}$ )		1%		
	Load regulation ( $V_{IN} = 12\text{ V}$ , $I_{OUT} = 0\text{ A} - 8\text{ A}$ )		1.5%		
Output voltage ripple	$V_{IN} = 12\text{ V}$ , $I_{OUT} = 8\text{ A}$		20		mVpp
Output load current		0		8.0	A
Overcurrent limit	$V_{IN} = 12\text{ V}$		11		
<b>Systems Characteristics</b>					
Switching frequency			500		kHz
Peak efficiency	$V_{IN} = 12\text{ V}$ , $I_{OUT} = 3.2\text{ A}$		86.5%		
Full load efficiency	$V_{IN} = 12\text{ V}$ , $I_{OUT} = 8.0\text{ A}$		81.4%		
Operating temperature			25		°C

### 4 Schematic




Notes:  NOT POPULATED

Figure 4-1. TPS53014EVM-126 Schematic

## 5 Test Setup

### 5.1 Test Equipment

#### Voltage Source:

- **VIN:** The input voltage source,  $V_{IN}$ , should be a 0-V to 30-V variable DC source capable of supplying 2  $A_{DC}$ . Connect  $V_{IN}$  to J1 as shown in [Figure 5-2](#).

#### Multimeters:

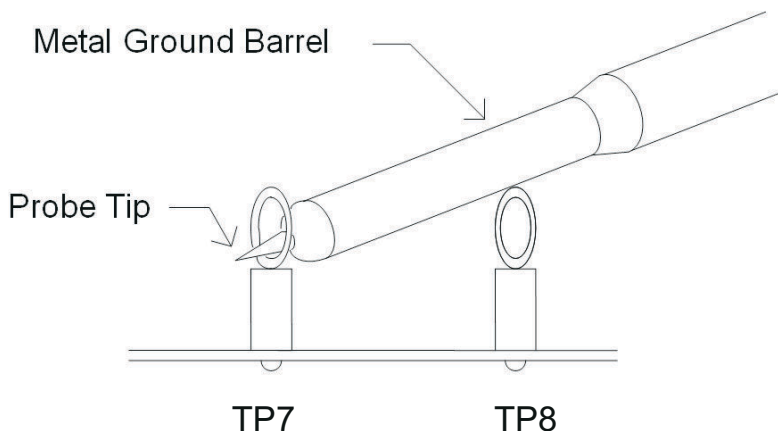
- **V1:**  $V_{IN}$  at TP1 ( $V_{IN}$ ) and TP2 (GND), 0-V to 30-V voltmeter
- **V2:**  $V_{OUT}$  at TP7 ( $V_{OUT}$ ) and TP8 (GND)
- **A1:**  $V_{IN}$  input current, 0- $A_{DC}$  to 2- $A_{DC}$  Ammeter

**Output Load:** The output load should be an electronic constant resistance mode load capable of 0  $A_{DC}$  to 8  $A_{DC}$  at 1.05 V.

**Oscilloscope:** A digital or analog oscilloscope can be used to measure the output ripple. The oscilloscope should be set for the following:

- 1-M $\Omega$  impedance
- 20-MHz bandwidth
- AC coupling
- 1- $\mu$ s/division horizontal resolution
- 50-mV/division vertical resolution

Test points TP7 and TP8 can be used to measure the output ripple voltage by placing the oscilloscope probe tip through TP7 and holding the ground barrel on TP8 as shown in [Figure 5-1](#). Using a leaded ground connection may induce additional noise due to the large ground loop.



**Figure 5-1. Tip and Barrel Measurement for VOUT Ripple**

**Fan:** Some of the components in this EVM may approach temperatures of 85°C during operation. A small fan capable of 200 LFM to 400 LFM is recommended to reduce component temperatures while the EVM is operating. The EVM should not be probed while the fan is not running.

#### Recommended Wire Gauge:

- **VIN to J1:** The recommended wire size is 1x AWG #16 per input connection, with the total length of wire less than four feet (2 feet input, 2 feet return).
- **J2 to LOAD:** The minimum recommended wire size is 1x AWG #16, with the total length of wire less than four feet (2 feet output, 2 feet return)

## 5.2 Recommended Test Setup

Figure 5-2 is the recommended test setup to evaluate the TPS53014EVM-126. Working at an ESD workstation, make sure that any wrist straps, bootstraps, or mats are connected referencing the user to earth ground before power is applied to the EVM.

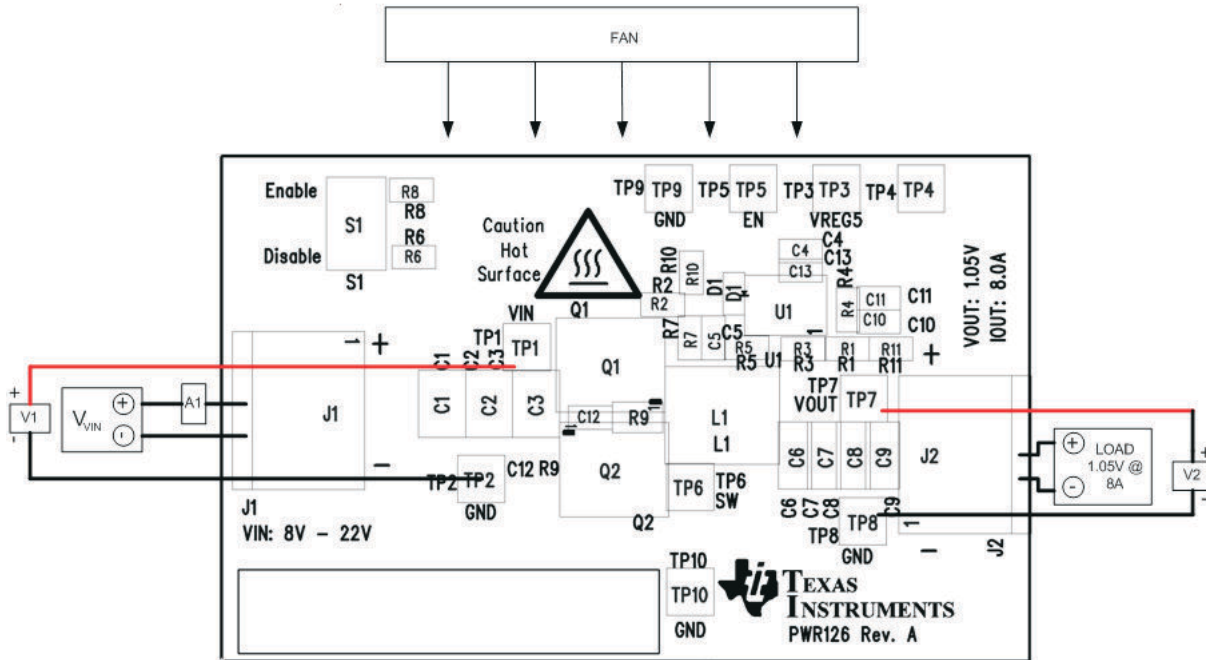


Figure 5-2. TPS53014EVM-126 Recommended Test Setup

### Input Connections:

- Prior to connecting the DC input source  $V_{IN}$ , it is advisable to limit the source current from  $V_{IN}$  to 2-A maximum. Make sure  $V_{IN}$  is initially set to 0 V and connected to J2 as shown in Figure 5-2.
- Connect a current meter A1 between  $V_{IN}$  and J1 to measure the input current.
- Connect a voltmeter V1 at TP1 ( $V_{IN}$ ) and TP2 (GND) to measure the input voltage.

### Output Connections:

- Connect Load to J2 and set load to constant resistance mode to sink 0  $A_{DC}$  before  $V_{IN}$  is applied.
- Connect a voltmeter V2 at TP7 (VOUT) and TP8 (GND) to measure the output voltage.

**Other Connections:** Place a fan as shown in Figure 5-2 and turn on, making sure air is flowing across the EVM.

## 6 Configurations

### 6.1 Enable/Disable Switch S1

The TPS53014EVM-126 is equipped with a switch (S1) to drive the EN pin of the TPS53014. When S1 is in the Enable position, EN is connected to  $V_{IN}$ , and the TPS53014 is enabled and generates a regulated 1.05-V output. When S1 is in the Disable position, EN is connected to GND, and the TPS53014 enters a high impedance output state.

**Default setting:** Set S1 to the Disabled position to disable the controller

## 7 Test Procedure

### 7.1 Line/Load Regulation and Efficiency Measurement Procedure

1. Set up the EVM as described in [Section 5](#) and [Figure 5-2](#).
2. Ensure Load is set to constant resistance mode and to sink 0 A<sub>DC</sub>.
3. Ensure the switch S1 is set per [Section 6](#).
4. Increase V<sub>IN</sub> from 0 V to 12 V. Using V1 to measure V<sub>IN</sub> voltage.
5. Set the switch S1 to Enable position to enable the controller.
6. Use V2 to measure V<sub>OUT</sub> voltage, A1 to measure V<sub>IN</sub> current.
7. Vary load from 0 A<sub>DC</sub> to 8 A<sub>DC</sub>. V<sub>OUT</sub> should remain in load regulation.
8. Vary V<sub>IN</sub> from 8.0 V to 22 V. V<sub>OUT</sub> should remain in line regulation.
9. Set the switch S1 to Disable position to disable the controller.
10. Decrease load to 0 A.
11. Decrease V<sub>IN</sub> to 0 V.

### 7.2 List of Test Points

**Table 7-1. Test Point Functions**

TEST POINTS	NAME	DESCRIPTION
TP1	VIN	Input voltage
TP2	GND	GND
TP3	VREG5	Output of 5-V linear regulator
TP4	SS	Soft-start ramp voltage
TP5	EN	Enable pin
TP6	SW	Switching node
TP7	VOUT	Output voltage
TP8	GND	GND
TP9	GND	GND
TP10	GND	GND

### 7.3 Equipment Shutdown

1. Shut down V<sub>IN</sub>.
2. Shut down Load.
3. Shut down FAN.

## 8 Performance Data and Typical Characteristic Curves

Figure 8-1 through Figure 8-11 present typical performance curves for TPS53014EVM-126.

### 8.1 Efficiency

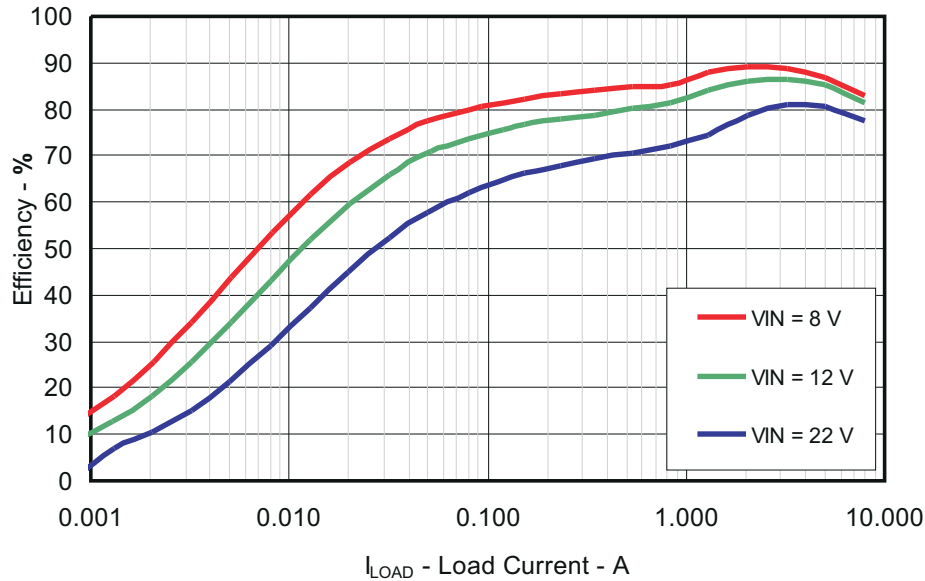


Figure 8-1. Efficiency

### 8.2 Load Regulation

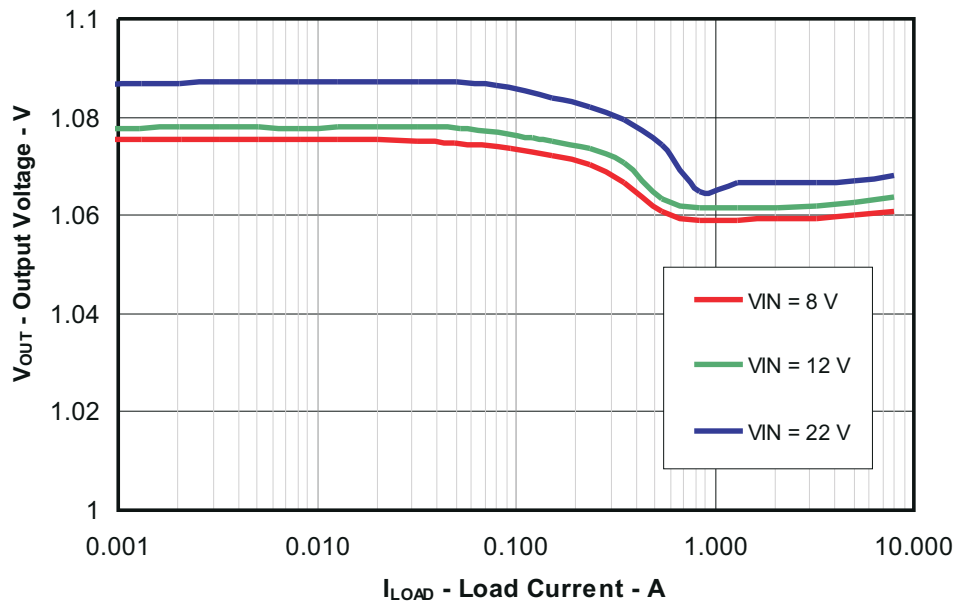


Figure 8-2. Load Regulation



### 8.3 Line Regulation

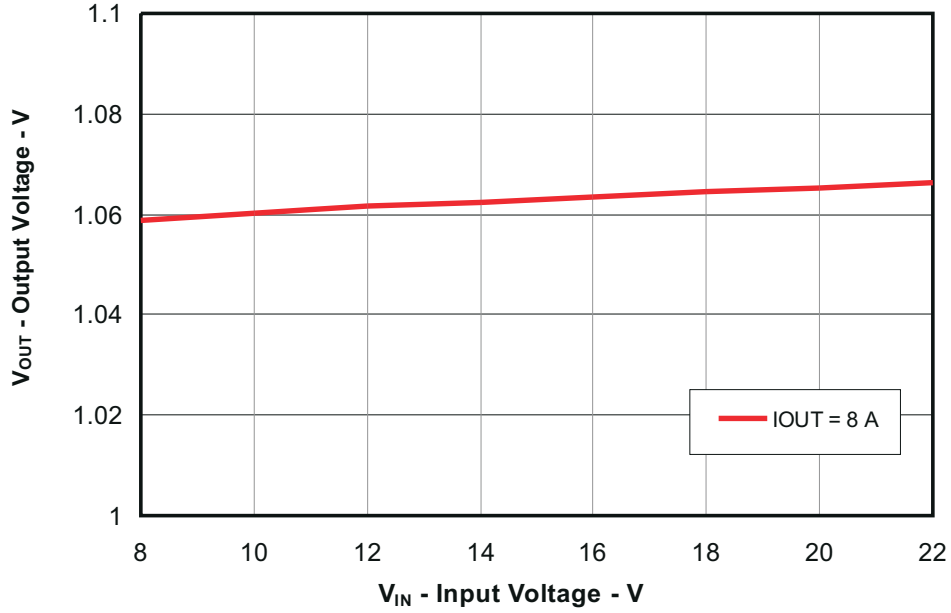


Figure 8-3. Line Regulation

### 8.4 Load Transient

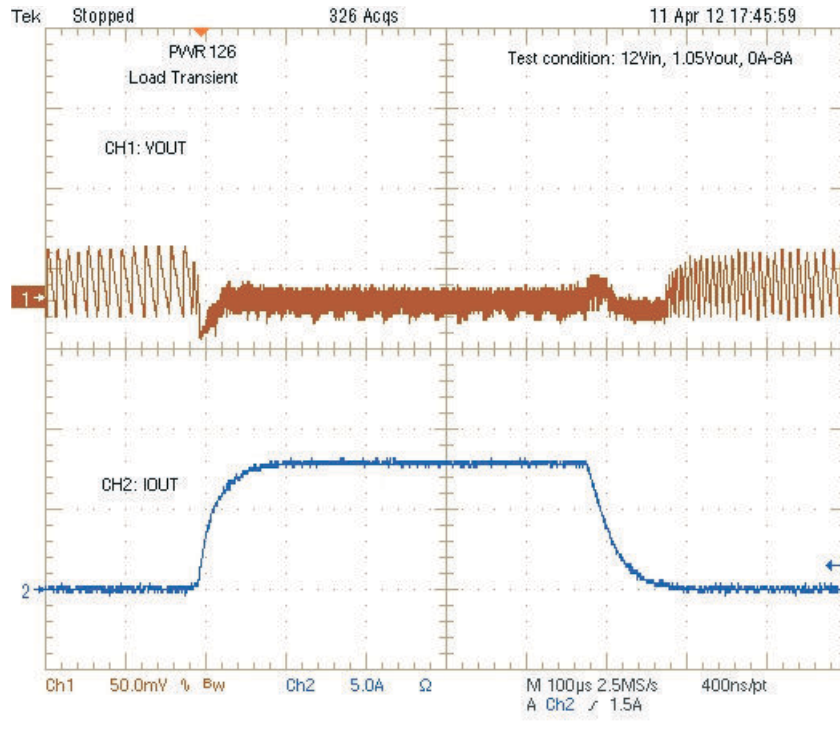


Figure 8-4. Output Load 0-A to 8-A Transient (12-V V<sub>IN</sub>, 1.05-V V<sub>OUT</sub>)

## 8.5 Output Ripple

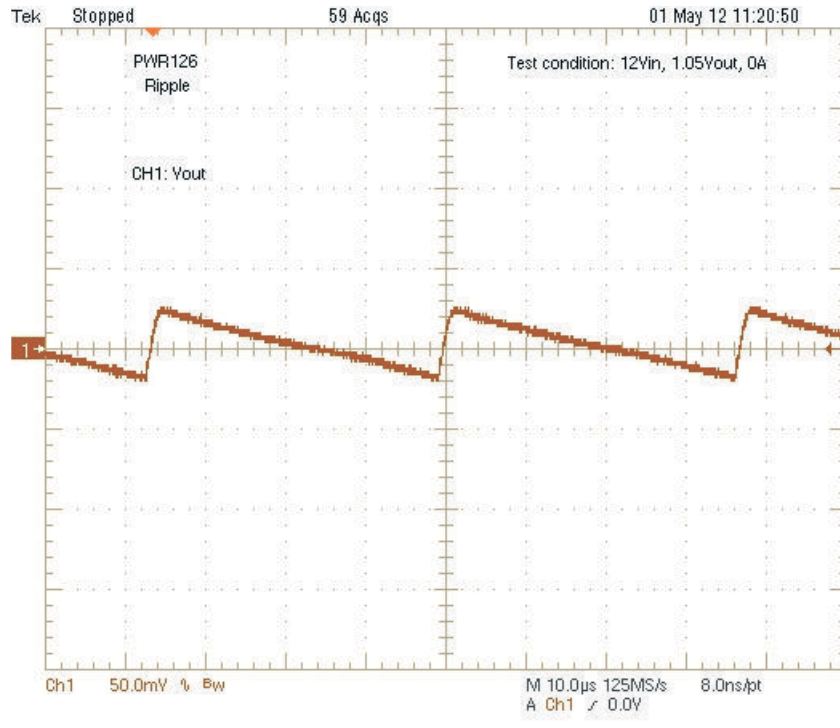


Figure 8-5. Output Ripple at No Load (12-V  $V_{IN}$ , 1.05-V  $V_{OUT}$ , 0 A)

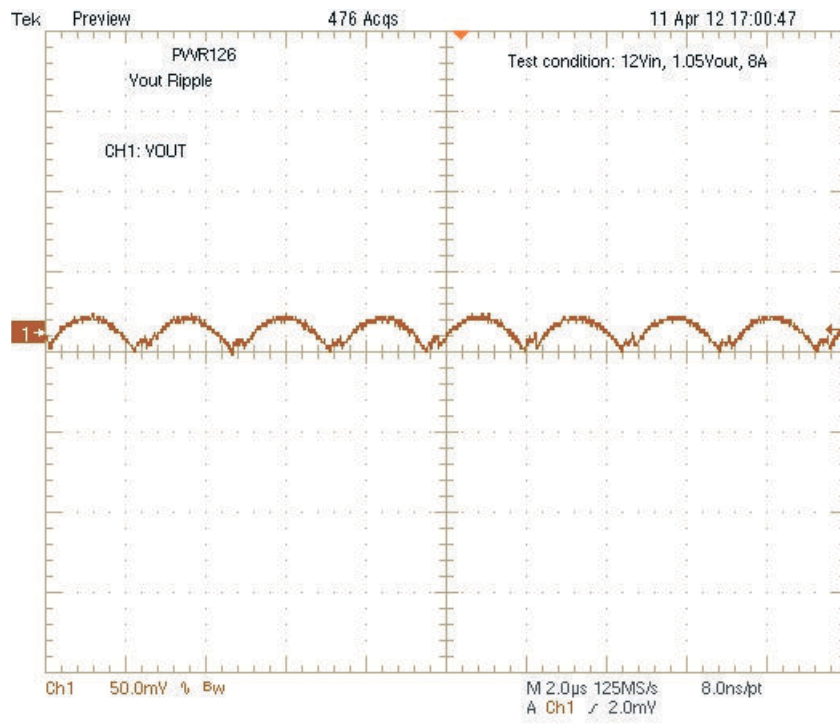


Figure 8-6. Output Ripple at Full Load (12-V  $V_{IN}$ , 1.05-V  $V_{OUT}$ , 8 A)

## 8.6 Switching Node

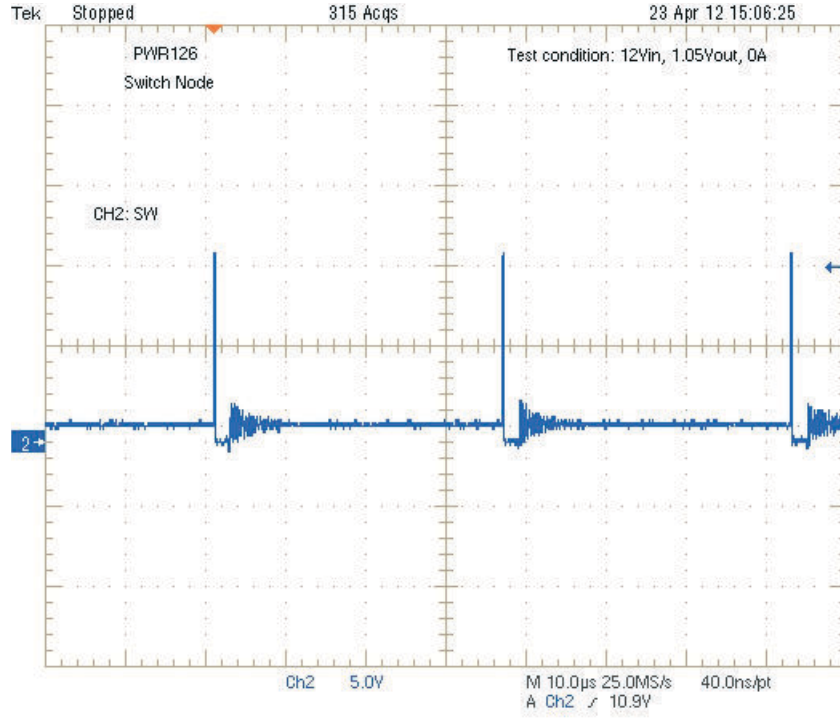


Figure 8-7. Switching Node at No Load (12-V  $V_{IN}$ , 1.05-V  $V_{OUT}$ , 0 A)

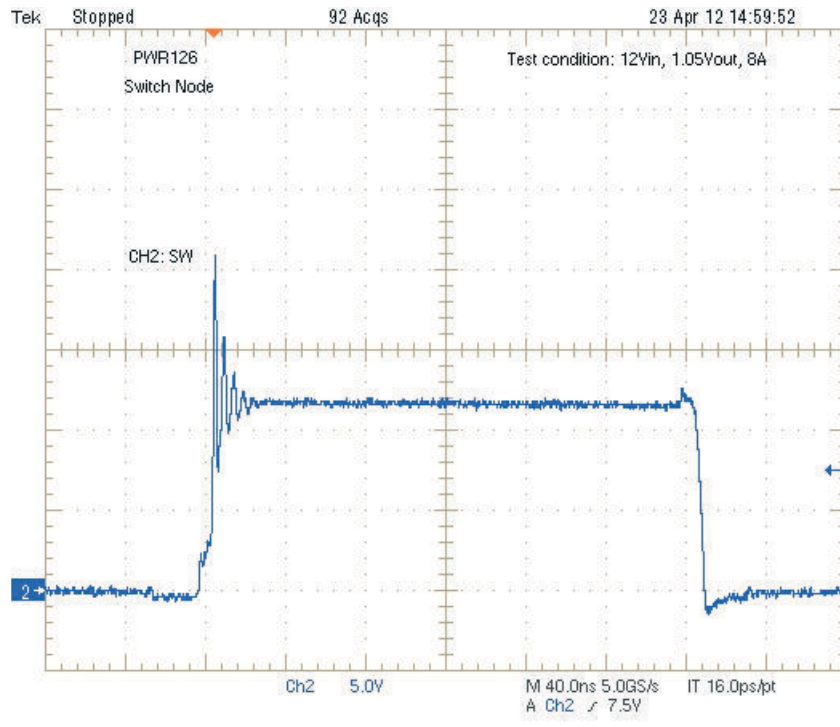


Figure 8-8. Switching Node at Full Load (12-V  $V_{IN}$ , 1.05-V  $V_{OUT}$ , 8 A)

### 8.7 Enable Start-Up

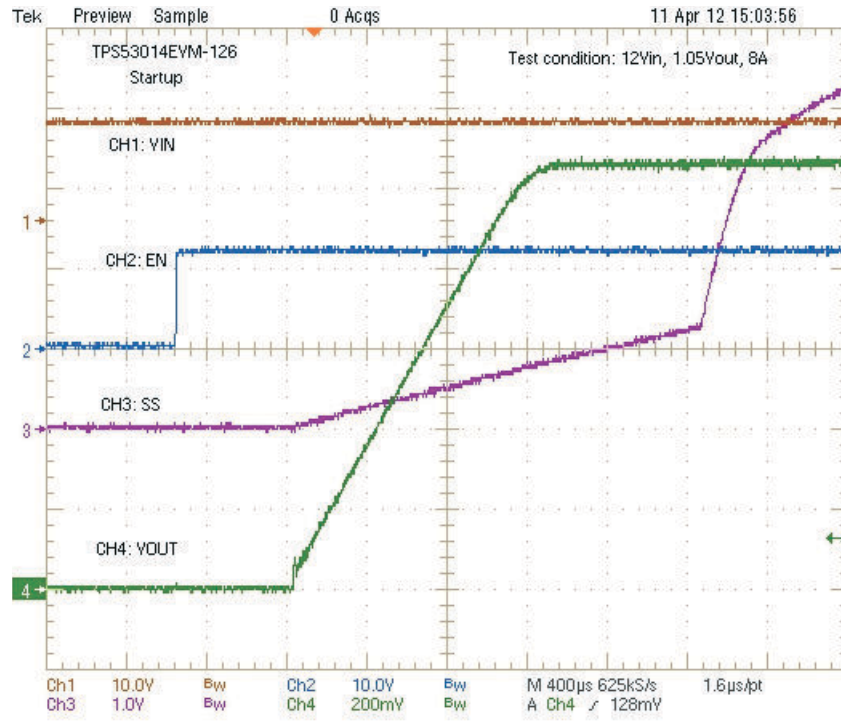


Figure 8-9. Start-Up Waveform (12-V V<sub>IN</sub>, 1.05-V V<sub>OUT</sub>, 8-A I<sub>OUT</sub>)

### 8.8 Disable

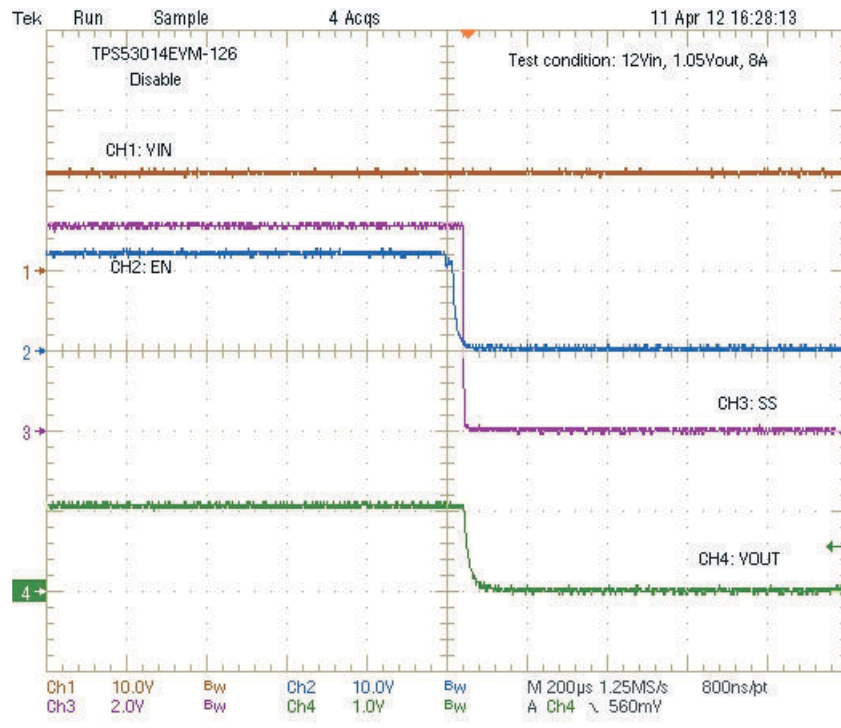


Figure 8-10. Shutdown Waveform (12-V V<sub>IN</sub>, 1.05-V V<sub>OUT</sub>, 8-A I<sub>OUT</sub>)

## 8.9 Thermal Image

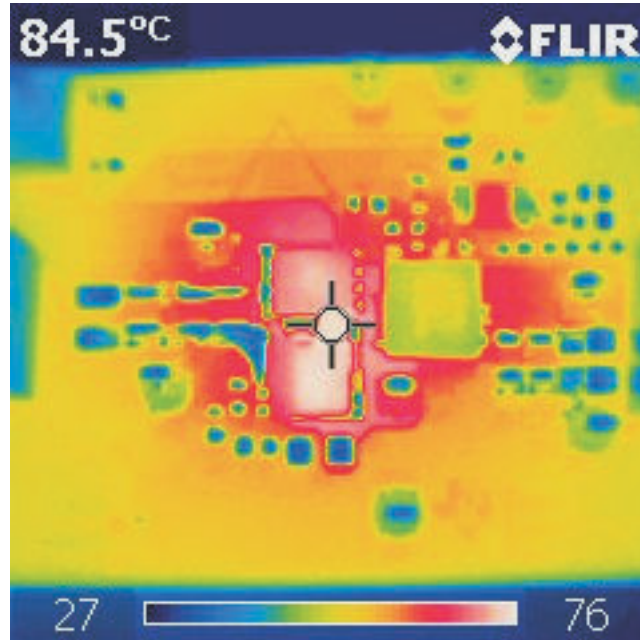


Figure 8-11. Thermal Image (22-V  $V_{IN}$ , 1.05-V  $V_{OUT}$ , 8-A  $I_{OUT}$ , no Air Flow)

---

### Note

The hottest spot is the surface of snubber resistor and power MOSFET, not the surface of TPS53014 controller device.

---

## 9 EVM Assembly Drawing and PCB Layout

The following figures (Figure 9-1 through Figure 9-5) show the design of the TPS53014EVM-126 printed circuit board. The EVM has been designed using a 4-layer, 2-ounce copper circuit board.

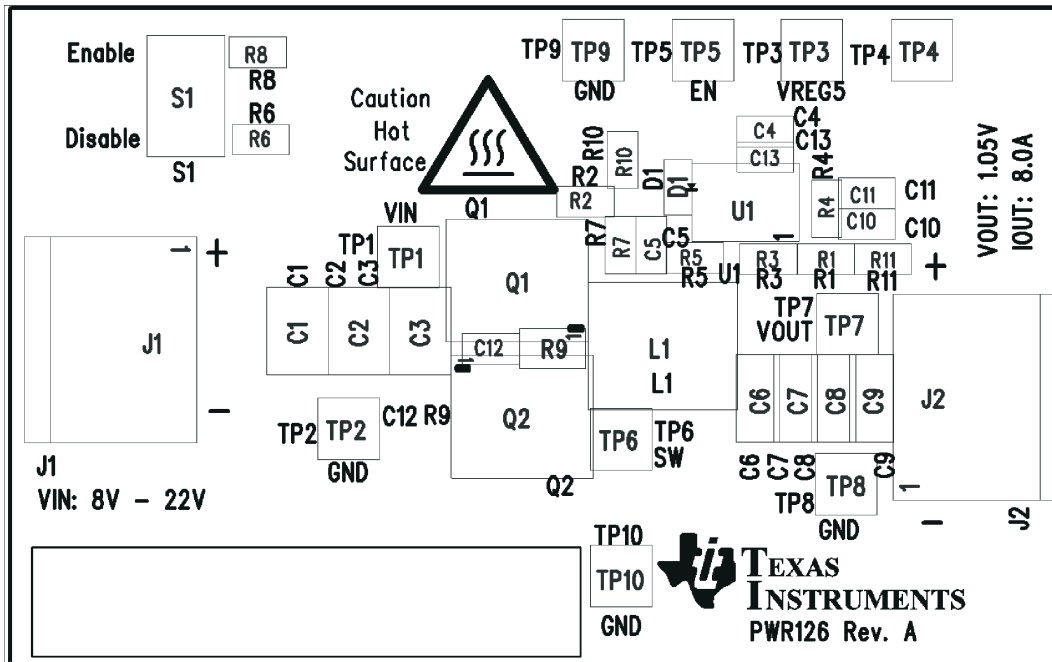


Figure 9-1. TPS53014EVM-126 Top Layer Assembly Drawing (Top View)

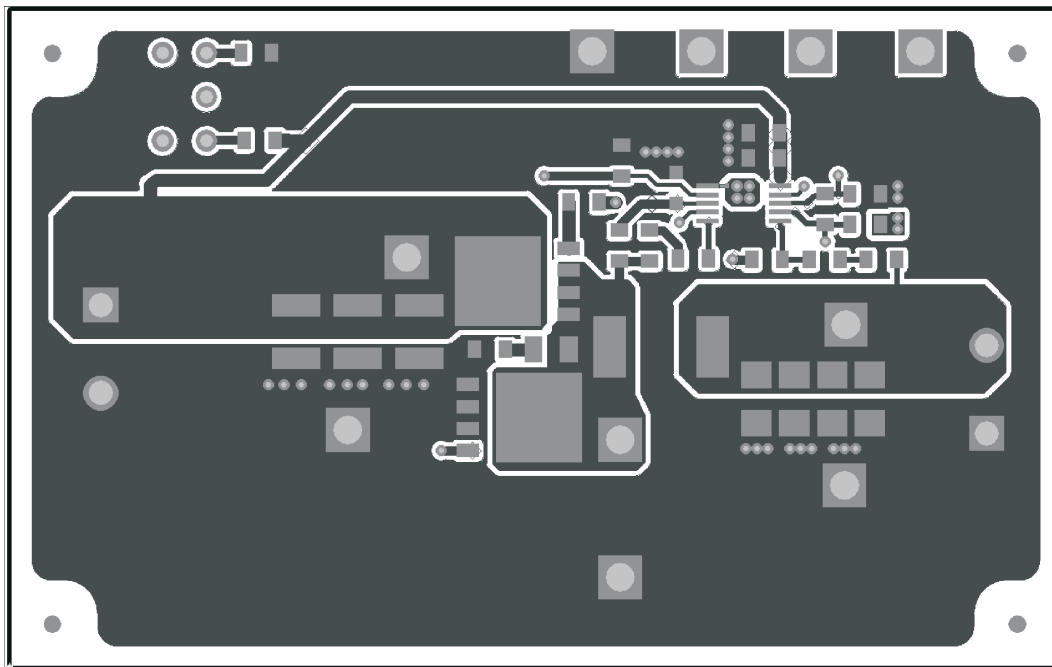


Figure 9-2. TPS53014EVM-126 Top Copper (Top View)

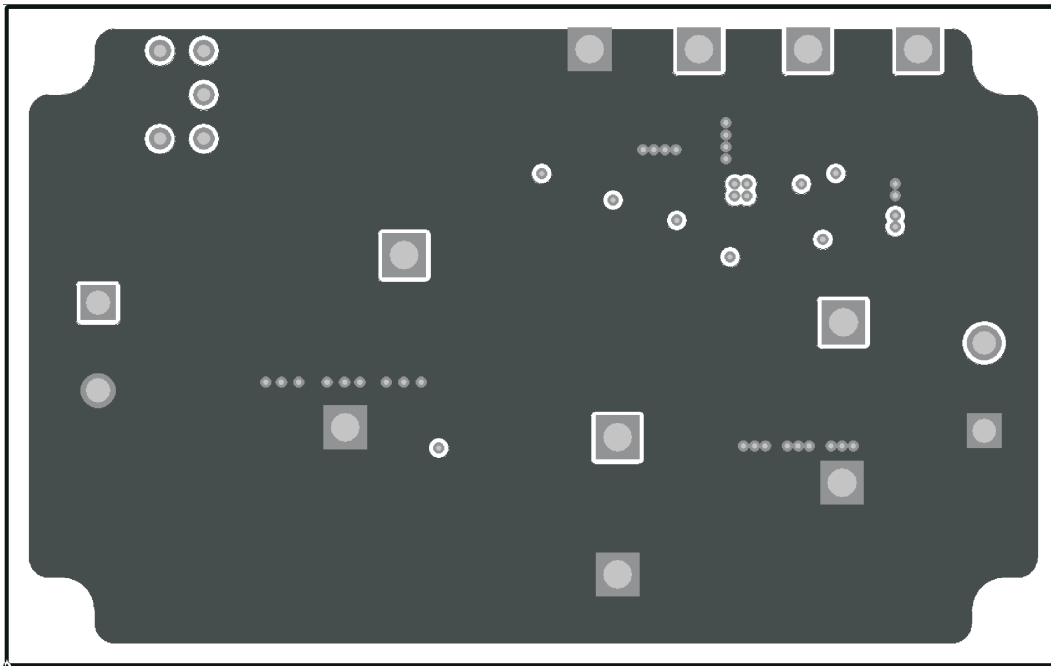


Figure 9-3. TPS53014EVM-126 Layer 2 (Top View)

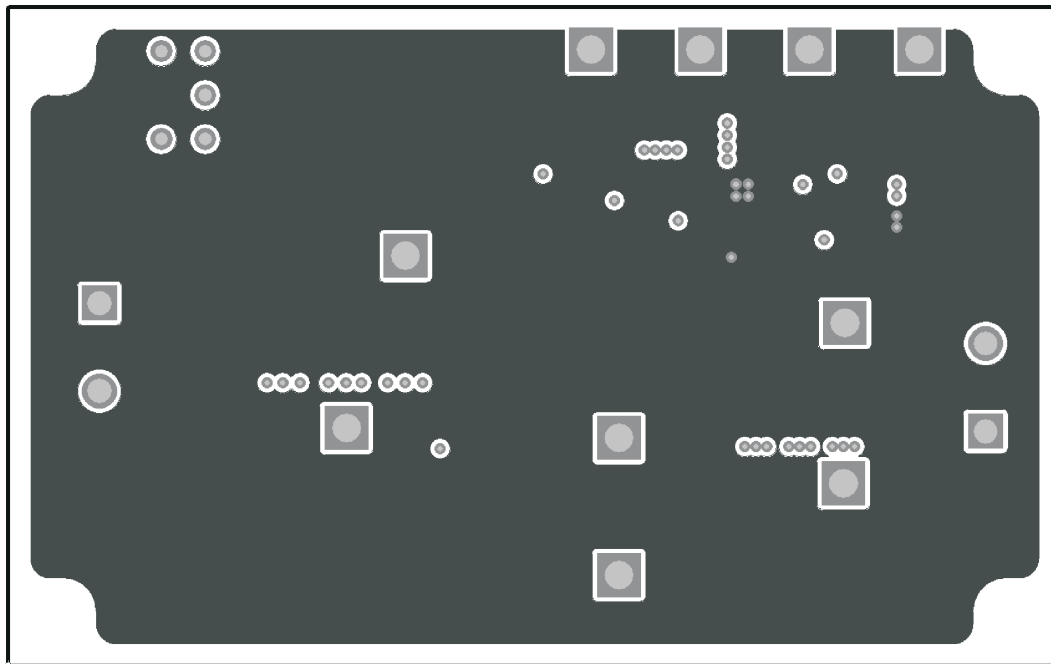
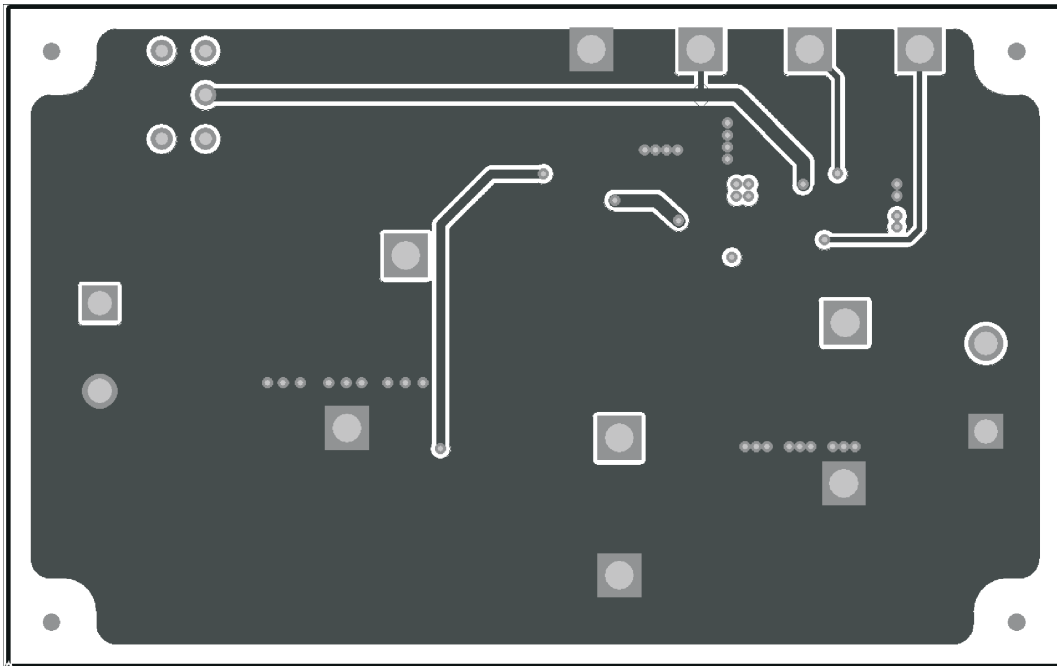


Figure 9-4. TPS53014EVM-126 Layer 3 (Top View)



**Figure 9-5. TPS53014EVM-126 Bottom Layer (Top View)**



## 10 List of Materials

The EVM components list according to the schematic shown in [Figure 4-1](#).

**Table 10-1. TPS53014EVM-126 List of Materials**

QTY	REF DES	DESCRIPTION	PART NUMBER	MFR
3	C1, C2, C3	Capacitor, ceramic, 35 V, X5R, 20%, 10 $\mu$ F, 1210	Std	Std
0	C4	Capacitor, ceramic, 35 V, X7R, 10%, 1 $\mu$ F, 0603	Std	Std
1	C5	Capacitor, ceramic, 10 V, X7R, 10%, 0.1 $\mu$ F, 0603	Std	Std
2	C6, C7	Capacitor, ceramic, 10 V, X5R, 20%, 22 $\mu$ F, 1206	Std	Std
0	C8, C9	Capacitor, ceramic, 10 V, X5R, 20%, 22 $\mu$ F, 1206	Std	Std
1	C10	Capacitor, ceramic, 10 V, X7R, 10%, 0.01 $\mu$ F, 0603	Std	Std
1	C11	Capacitor, ceramic, 10 V, X7R, 10%, 4.7 $\mu$ F, 0603	Std	Std
1	C12	Capacitor, ceramic, 50 V, X7R, 10%, 1000 pF, 0603	Std	Std
1	C13	Capacitor, ceramic, 50 V, X7R, 10%, 0.1 $\mu$ F, 0603	Std	Std
1	D1	Diode, Schottky, 10 mA, 30 V, SOD523	BAT54XV2T1	On Semi
2	J1, J2	Connector, 15 A, 300 V, male 2 pole, 5.08 mm, 9 mm $\times$ 12 mm	ED120/2DS	On Shore Tech
1	L1	Inductor, 11 A, 6 m $\Omega$ , $\pm$ 20%, 1.5 $\mu$ H, 6.6 mm $\times$ 7 mm	PCMB065T-1R5MS	Cyntec
2	Q1, Q2 <sup>(1)</sup>	MOSFET, N-channel, 30 V, 13 A, 11.8 m $\Omega$ , SON, 5 mm $\times$ 6 mm	CSD17507Q5A	TI
		MOSFET, N-channel, 30 V, 14 A, 9.0 m $\Omega$ , SON, 5 mm $\times$ 6 mm	CSD17551Q5A	
1	R1	Resistor, chip, 1/10 W, 1%, 8.66 k $\Omega$ , 0603	Std	Std
1	R2	Resistor, chip, 1/10 W, 1%, 10.0 $\Omega$ , 0603	Std	Std
1	R3	Resistor, Chip, 1/10 W, 1%, 23.7 k $\Omega$ , 0603	Std	Std
0	R4	Resistor, chip, 1/10 W, 1%, 100 k $\Omega$ , 0603	Std	Std
1	R5	Resistor, chip, 1/10 W, 1%, 5.11 $\Omega$ , 0603	Std	Std
2	R6, R8	Resistor, chip, 1/10 W, 1%, 1.00 k $\Omega$ , 0603	Std	Std
1	R7	Resistor, chip, 1/10 W, 1%, 2.05 $\Omega$ , 0603	Std	Std
1	R9	Resistor, chip, 1/4 W, 1%, 3.01 $\Omega$ , 0805	Std	Std
1	R10	Resistor, chip, 1/10 W, 1%, 15.4 k $\Omega$ , 0603	Std	Std
1	R11	Resistor, chip, 1/10 W, 1%, 140 $\Omega$ , 0603	Std	Std
1	S1	Switch, on-none-on, 0.28 inch $\times$ 0.18 inch	G12AP-RO	NKK
4	TP1, TP3, TP6, TP7	Test point, red, thru hole, 0.125 inch $\times$ 0.125 inch	5010	Keystone
4	TP2, TP8, TP9, TP10	Test point, black, thru hole, 0.125 inch $\times$ 0.125 inch	5011	Keystone
2	TP4, TP5	Test point, white, thru hole, 0.125 inch $\times$ 0.125 inch	5012	Keystone
1	U1	IC, Single Synchronous Step-Down Controller, VSSOP	TPS53014DGS	TI
1	--	PCB, 2.4 inch $\times$ 1.5 inch $\times$ 0.062 inch	PWR126	TI

(1) The CSD17551Q5A can be used as alternate part to the CSD17507Q5A.

## 11 Revision History

NOTE: Page numbers for previous revisions may differ from page numbers in the current version.

Changes from Revision * (May 2012) to Revision A (December 2021)	Page
• Updated the numbering format for tables, figures, and cross-references throughout the document. ....	2
• Updated the user's guide title.....	2
• Edited user's guide for clarity.....	2

## IMPORTANT NOTICE AND DISCLAIMER

TI PROVIDES TECHNICAL AND RELIABILITY DATA (INCLUDING DATA SHEETS), DESIGN RESOURCES (INCLUDING REFERENCE DESIGNS), APPLICATION OR OTHER DESIGN ADVICE, WEB TOOLS, SAFETY INFORMATION, AND OTHER RESOURCES "AS IS" AND WITH ALL FAULTS, AND DISCLAIMS ALL WARRANTIES, EXPRESS AND IMPLIED, INCLUDING WITHOUT LIMITATION ANY IMPLIED WARRANTIES OF MERCHANTABILITY, FITNESS FOR A PARTICULAR PURPOSE OR NON-INFRINGEMENT OF THIRD PARTY INTELLECTUAL PROPERTY RIGHTS.

These resources are intended for skilled developers designing with TI products. You are solely responsible for (1) selecting the appropriate TI products for your application, (2) designing, validating and testing your application, and (3) ensuring your application meets applicable standards, and any other safety, security, regulatory or other requirements.

These resources are subject to change without notice. TI grants you permission to use these resources only for development of an application that uses the TI products described in the resource. Other reproduction and display of these resources is prohibited. No license is granted to any other TI intellectual property right or to any third party intellectual property right. TI disclaims responsibility for, and you will fully indemnify TI and its representatives against, any claims, damages, costs, losses, and liabilities arising out of your use of these resources.

TI's products are provided subject to [TI's Terms of Sale](#) or other applicable terms available either on [ti.com](http://ti.com) or provided in conjunction with such TI products. TI's provision of these resources does not expand or otherwise alter TI's applicable warranties or warranty disclaimers for TI products.

TI objects to and rejects any additional or different terms you may have proposed.

Mailing Address: Texas Instruments, Post Office Box 655303, Dallas, Texas 75265  
Copyright © 2022, Texas Instruments Incorporated